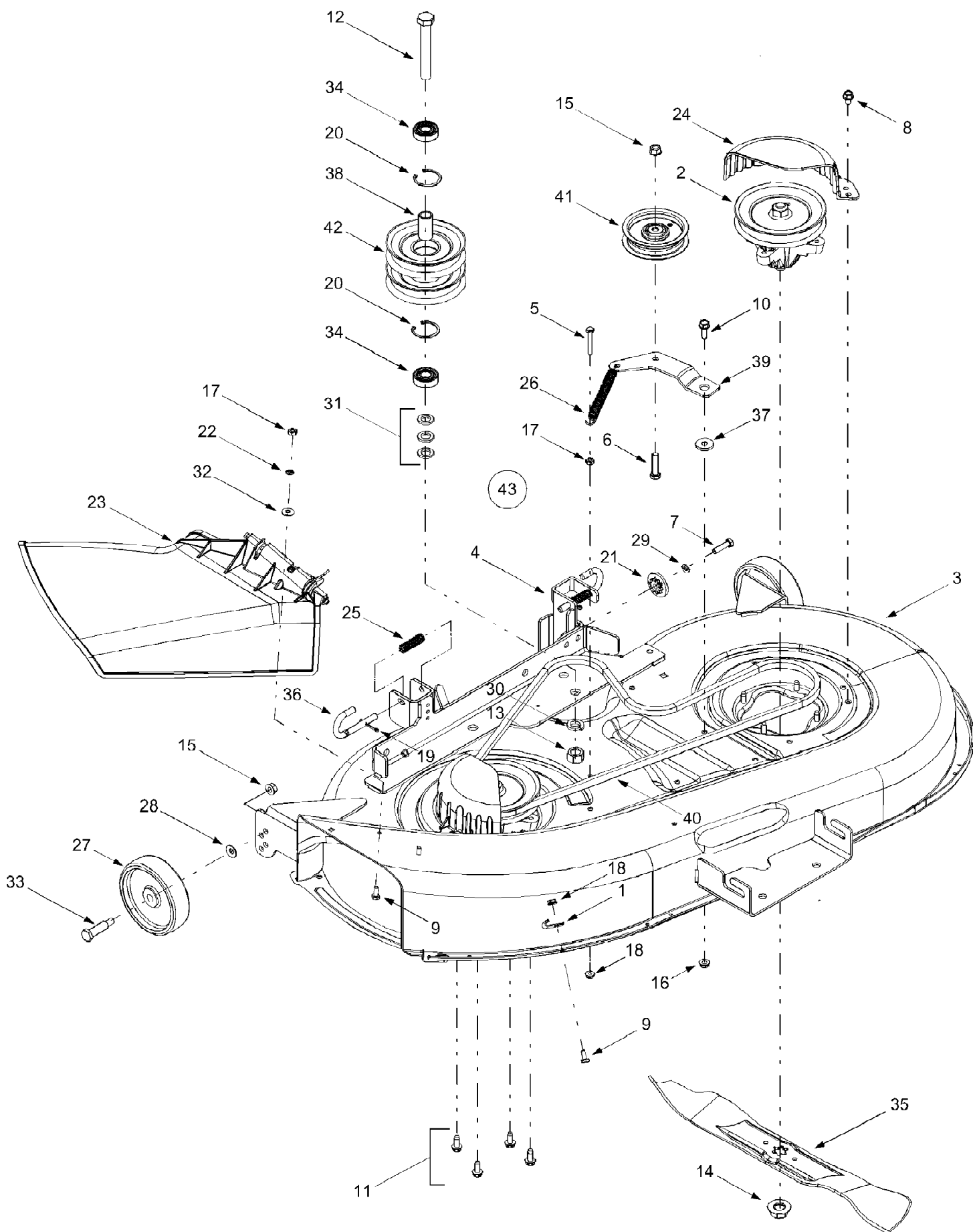


ZTT-1850 (2001)
42" Deck Assembly

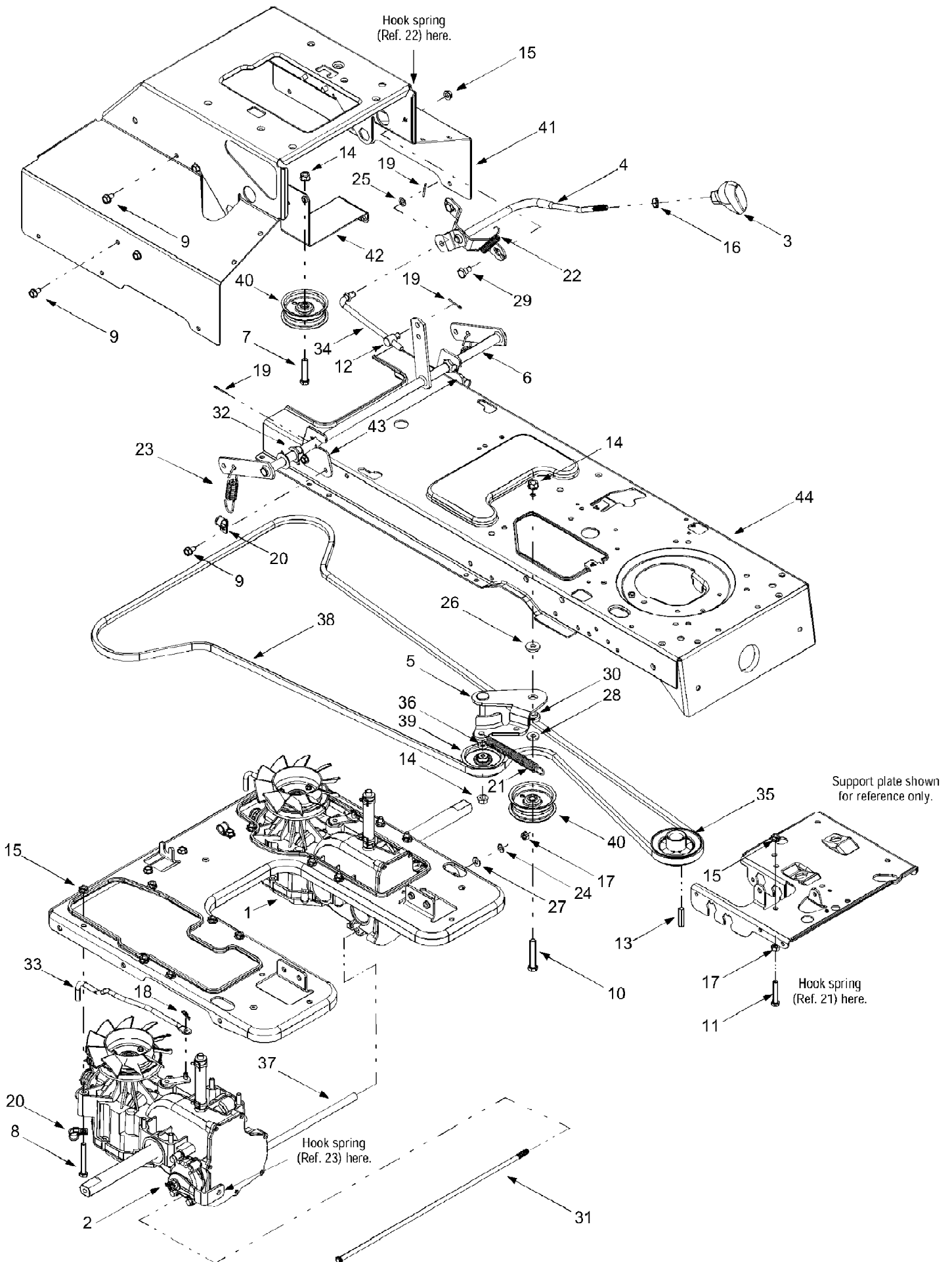


ZTT-1850 (2001)
42" Deck Assembly

Page 2 of 20

| Ref # | Part Number | Qty | S/P/F | Description |
|-------|-------------|-----|-------|---|
| 1 | 16606 | 1 | S | Retainer Hook |
| 2 | 618-0574 | 1 | S | Spindle Assembly, 5.75 Dia. w/ Fitting |
| | 756-0980 | 1 | | Pulley Only |
| 3 | 683-0198D | 1 | S | 42-inch Deck Shell |
| 4 | 683-0254 | 1 | S | Deck Adjustment Bracket w/ Weld Nut |
| 5 | 710-0136 | 1 | /P | Hex Cap Screw, 1/4-20 x 1.75 |
| 6 | 710-0520 | 1 | /P | Hex Cap Screw, 1/4-20 x 1.5 |
| 7 | 710-0528 | 1 | /P | Hex Cap Screw, 5/16-18 x 1.25 |
| 8 | 710-0604A | 1 | /P | Self-tapping Screw, 5/16-18 x .625 |
| 9 | 710-0751 | 1 | /P | Hex Cap Screw, 1/4-20 x .62 |
| 10 | 710-1238 | 1 | /P | Hex Head Washer Screw, 5/16-18 x .875 |
| 11 | 710-1260A | 1 | /P | Self-tapping Screw, 5/16-18 x .75 |
| 12 | 710-3151 | 1 | /P | Hex Cap Screw, 5/8-18 x .875 |
| 13 | 712-0337 | 1 | | Hex Nut, 5/8-18 |
| 14 | 712-0417A | 1 | /P | Hex Flange Nut, 5/8-18 |
| 15 | 712-0431 | 1 | S | Flange Lock Nut, 3/8-16 |
| 16 | 712-3004A | 1 | /P | Flange Lock Nut, 5/16-18 |
| 17 | 712-3006 | 1 | /P | Hex Nut, 1/4-20 |
| 18 | 712-3027 | 1 | S | Hex Flange Lock Nut, 1/4-20 |
| 19 | 714-0470 | 1 | S | Cotter Pin, 1/8 x 1.25 |
| 20 | 716-3020 | 1 | S | Internal Snap Ring |
| 21 | 717-1553A | 1 | S | Deck Adjustment Gear |
| 22 | 726-0233 | 1 | /P | Push Nut. .25 x .5 |
| 23 | 731-1032B | 1 | S | Side Discharge Chute Assembly |
| 24 | 731-2486 | 1 | S | Belt Cover |
| 25 | 732-0306 | 1 | S | Compression Spring, .406 x .531 x 1.75 |
| 26 | 732-0470A | 1 | S | Extension Spring, .50 x 4.74 |
| 27 | 734-0973 | 1 | /P | Deck Wheel, 5 x 1.38 |
| 28 | 736-0105 | 1 | /P | Bell Washer, .401 x .87 x .063 |
| 29 | 736-0119 | 1 | S | Lock Washer, 5/16 |
| 30 | 736-0158 | 1 | S | Lock Washer, 5/8 |
| 31 | 736-0162 | 1 | /P | Flat Washer, .64 x 1.0 x .12 |
| 32 | 736-0270 | 1 | /P | Bell Washer, .265 x .75 x .062 |
| 33 | 738-0373 | 1 | S | Shoulder Screw, .498 x 1.53 |
| 34 | 741-0524 | 1 | S | Bearing, .625 x 1.574 x .470 |
| 35 | 742-0616 | 1 | S | Three-in-one Blade, Star Center, 21.23" |
| 36 | 747-1116 | 1 | /P | Deck Release Pin |
| 37 | 748-0331 | 1 | S | Shoulder Spacer, .625 x .324 |
| 38 | 750-0932A | 1 | S | Spacer, .635 x .88 x 1.72 |
| 39 | 783-1291 | 1 | S | Idler Bracket |
| 40 | 754-0498 | 1 | S | Deck Belt |
| 41 | 756-0627B | 1 | S | Idler Pulley, 3.5 |
| 42 | 756-1202 | 1 | | Double Pulley, 5.0 |
| 43 | 753-0896 | 1 | /P | 42-inch Deck Assembly Complete |

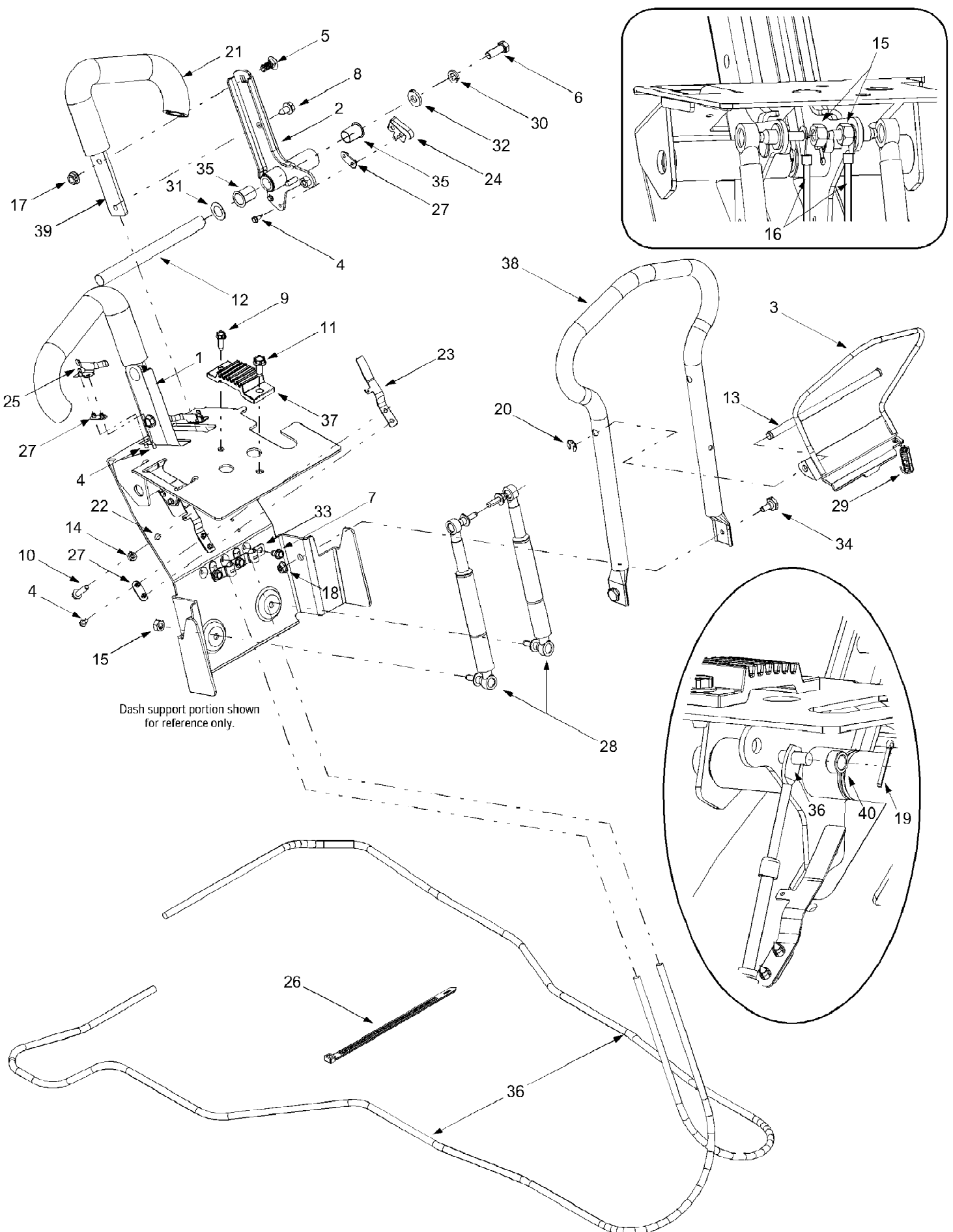
ZTT-1850 (2001)
Drive & Transmission



ZTT-1850 (2001)
Drive & Transmission

Page 4 of 20

| Ref # | Part Number | Qty | S/P/F | Description |
|-------|-------------|-----|-------|--------------------------------------|
| 1 | 618-0437 | 1 | S | LH IZT Transmission |
| 2 | 618-0438 | 1 | S | RH IZT Transmission |
| 3 | 631-0009A | 1 | S | Knob |
| 4 | 647-0051 | 1 | | Brake Lever Assembly |
| 5 | 683-0251 | 1 | | Double-idler Bracket |
| 6 | 683-0452A | 1 | /P | Brake Bracket Assembly |
| 7 | 710-0347 | 1 | /P | Hex Cap Screw, 3/8-16 x 1.75 |
| 8 | 710-0378 | 1 | /P | Hex Cap Screw, 5/16-18 x 2.5 |
| 9 | 710-0604A | 1 | /P | Self-tapping Screw, 5/16-18 x .625 |
| 10 | 710-3011 | 1 | /P | Hex Cap Screw, 3/8-16 x 2.25 |
| 11 | 710-3180 | 1 | /P | Hex Cap Screw, 5/16-18 x 1.75 |
| 12 | 711-0832 | 1 | S | Ferrule, 3/8-24 x .375 |
| 13 | 714-0118 | 1 | /P | Square Key, 1/4 x 1.5 |
| 14 | 712-0431 | 1 | S | Flange Lock Nut, 3/8-16 |
| 15 | 712-3004A | 1 | /P | Flange Lock Nut, 5/16-18 |
| 16 | 712-3008 | 1 | S | Jam Nut, 3/8-16 |
| 17 | 712-3010 | 1 | S | Hex Nut, 5/16-18 |
| 18 | 714-0104 | 1 | S | Internal Cotter Pin, .072 x 1.12 |
| 19 | 714-0111 | 1 | S | Cotter Pin, 3/32 x 1.0 |
| 20 | 726-0272 | 1 | /P | Clamp, 9/16 |
| 21 | 732-0384 | 1 | S | Extension Spring, .62 x 6.12 |
| 22 | 732-0433 | 1 | | Extension Spring, .5 x 2.75 |
| 23 | 732-1154A | 1 | /P | Disc Brake Spring |
| 24 | 736-0119 | 1 | S | Lock Washer, 5/16 |
| 25 | 736-0140 | 1 | S | Flat Washer, .385 x .62 x .063 |
| 26 | 736-0258 | 1 | /P | Flat Washer, .385 x 1.0 x .135 |
| 27 | 736-0275 | 1 | S | Flat Washer, .344 x .688 x .065 |
| 28 | 736-3010 | 1 | | Flat Washer, .407 x .812 x .135 |
| 29 | 738-0141 | 1 | S | Shoulder Screw, .435 x .350, 5/16-18 |
| 30 | 738-0372 | 1 | S | Shoulder Spacer, .380 |
| 31 | 738-1155 | 1 | | Rod, .312 x 18.437 |
| 32 | 741-3065A | 1 | S | Split Hex Flange Bearing, .628 |
| 33 | 747-1222 | 1 | | Hydro Bypass Rod |
| 34 | 747-1263A | 1 | | Brake Link Rod |
| 35 | 756-0978A | 1 | S | Engine Pulley |
| 36 | 750-0535 | 1 | S | Spacer, .376 x .625 x .220 |
| 37 | 750-1286 | 1 | | Spacer, .334 x .50 x 14.88 |
| 38 | 754-0491 | 1 | S | Drive Belt, Poly |
| 39 | 756-0116 | 1 | S | V-Idler Pulley, 3.06 |
| 40 | 756-0981A | 1 | S | Flat Idler, 2.75 |
| 41 | 783-1044 | 1 | | Upper Frame |
| 42 | 783-1145 | 1 | S | Idler Support Bracket |
| 43 | 783-1305 | 1 | S | Brake Pivot Support Bracket |
| 44 | 683-0314 | 1 | | Lower Frame |

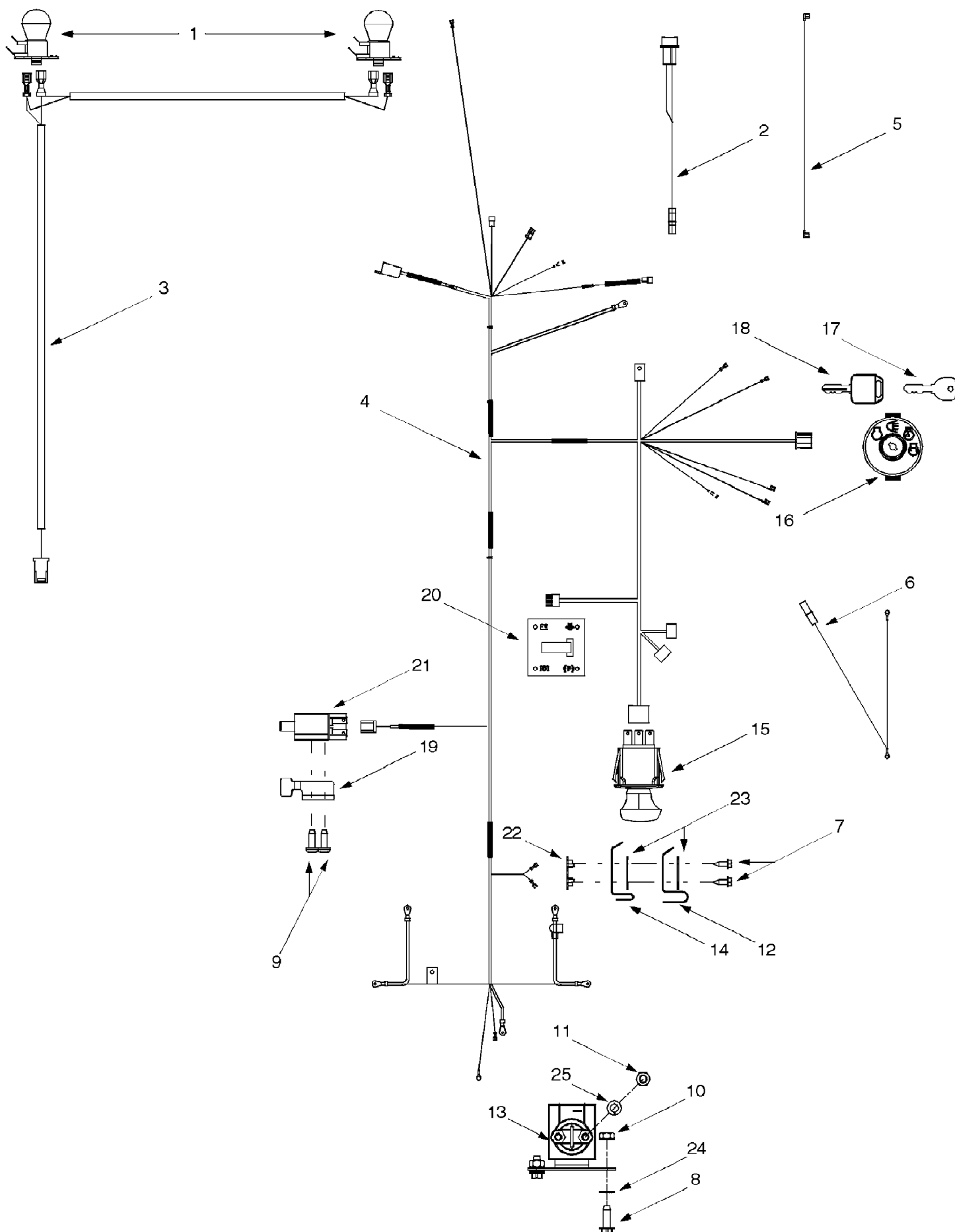


ZTT-1850 (2001)
Drive Controls

Page 6 of 20

| Ref # | Part Number | Qty | S/P/F | Description |
|-------|-------------|-----|-------|-----------------------------------|
| 1 | 683-0317 | 1 | | RH Handle Bracket Assembly |
| 2 | 683-0318 | 1 | | LH Handle Bracket Assembly |
| 3 | 683-0320 | 1 | | Bail Assembly |
| 4 | 710-0227 | 1 | /P | Self-tapping Screw, #8-18 x .5 |
| 5 | 710-0451 | 1 | /P | Carriage Screw, 5/16-18 x .75 |
| 6 | 710-0514 | 1 | /P | Hex Cap Screw, 3/8-16 x 1.0 |
| 7 | 710-0599 | 1 | /P | Self-tapping Screw, 1/4-20 x .5 |
| 8 | 710-0604A | 1 | /P | Self-tapping Screw, 16-18 x .625 |
| 9 | 710-0642 | 1 | /P | Self-tapping Screw, 1/4-20 x .75 |
| 10 | 710-0788 | 1 | /P | Self-tapping Screw, 1/4-20 x 1.0 |
| 11 | 710-1260A | 1 | /P | Self-tapping Screw, 5/16-18 x .75 |
| 12 | 711-1509 | 1 | | Control Shaft |
| 13 | 711-1535 | 1 | | Rod, .375 x 8.0 |
| 14 | 712-0298 | 1 | S | Jam Nut, 1/4-20 |
| 15 | 712-0365 | 1 | | Center Lock Hex Nut, M8 |
| 16 | 629-1083 | 1 | | Ground Jumper Wire Assembly |
| 17 | 712-3004A | 1 | /P | Flange Lock Nut, 5/16-18 |
| 18 | 712-3027 | 1 | S | Hex Flange Lock Nut, 1/4-20 |
| 19 | 714-0507 | 1 | S | Cotter Pin, 3/32 x .75 |
| 20 | 716-0125 | 1 | S | E-Ring, .375 |
| 21 | 720-0278A | 1 | /P | Foam Grip |
| 22 | 720-0322 | 1 | | Dipped Cap, .187 |
| 23 | 725-1760 | 1 | | Spring Switch |
| 24 | 725-1773 | 1 | | Short Spring Switch |
| 25 | 725-1980 | 1 | | Lever Spring Switch |
| 26 | 726-0209 | 1 | /P | Cable Tie |
| 27 | 726-0320 | 1 | S | Insulator Nut Plate |
| 28 | 727-3113 | 1 | | Damper Cylinder |
| 29 | 732-0568 | 1 | S | Extension Spring, .50 x 2.54 |
| 30 | 736-0169 | 1 | S | Lock Washer, 3/8 |
| 31 | 736-0349 | 1 | S | Flat Washer, .63 x 1.0 x .020 |
| 32 | 736-3004 | 1 | S | Flat Washer, .406 x .875 x .105 |
| 33 | 783-1265 | 1 | | Clamp Cable Bracket |
| 34 | 738-0255 | 1 | S | Shoulder Screw, .375 x .181 |
| 35 | 741-0591 | 1 | S | Flange Bearing, .630 x .693 |
| 36 | 746-1121 | 1 | | Control Cable, 77.5 |
| 37 | 748-0438 | 1 | | Index Plate |
| 38 | 749-1236 | 1 | | Hand Rest Tube |
| 39 | 749-1237 | 1 | | Control Handle |
| 40 | 750-1298 | 1 | | Spacer, .280 x .437 x .250 |

ZTT-1850 (2001)
Electrical

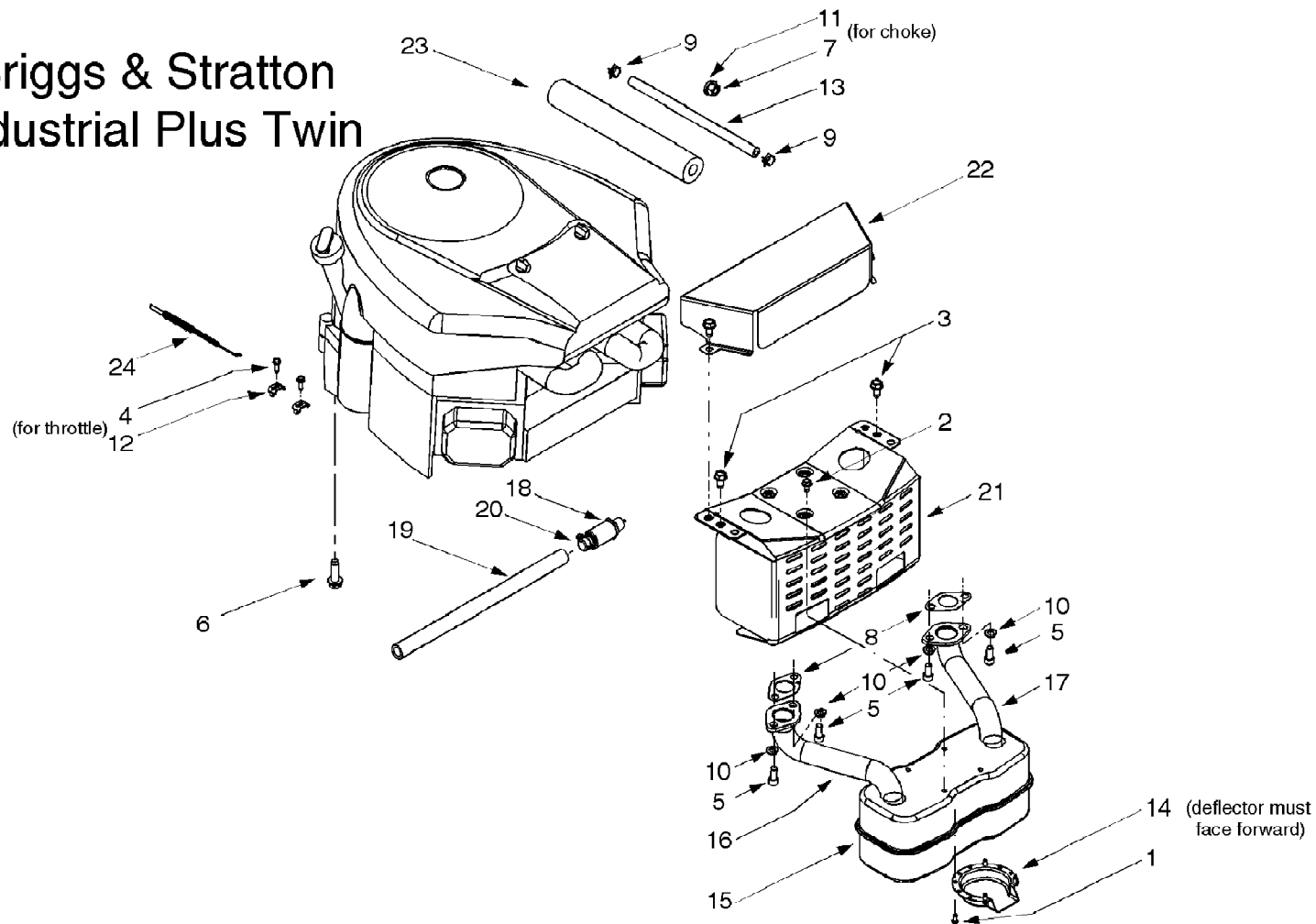


ZTT-1850 (2001)
Electrical

Page 8 of 20

| Ref # | Part Number | Qty | S/P/F | Description |
|-------|-------------|-----|-------|---|
| 1 | 625-0051 | 1 | S | Bulb/Socket Headlight Assembly |
| 2 | 629-0126 | 1 | | Wire Harness, Afterfire Solenoid, #18 x 5 |
| 3 | 629-0469A | 1 | S | Wire Harness, Headlight |
| 4 | 629-1055 | 1 | | Wire Harness, Main |
| 5 | 629-1077 | 1 | | Wire Assembly, Reverse Jumper |
| 6 | 629-1083 | 1 | | Wire Assembly, Ground Jumper |
| 7 | 710-0227 | 1 | /P | Self-tapping Screw, #8-18 x .5 |
| 8 | 710-0642 | 1 | /P | Self-tapping Screw, 1/4-20 x .75 |
| 9 | 710-1823 | 1 | | Pan Phillips Screw, #12-16 x .625 |
| 10 | 712-0271 | 1 | /P | Hex Sems Nut, 1/4-20 |
| 11 | 712-3006 | 1 | /P | Hex Nut, 1/4-20 |
| 12 | 725-1303 | 1 | S | Outer Seat Spring Switch |
| 13 | 725-1426 | 1 | S | 12V Solenoid, 100 Amp |
| 14 | 725-1439 | 1 | | Inner Seat Spring Switch |
| 15 | 725-1716 | 1 | S | Electric PTO Switch |
| 16 | 725-1741 | 1 | S | Ignition Switch |
| 17 | 725-1744 | 1 | S | Ignition Key |
| 18 | 725-1745 | 1 | S | Ignition Key w/ Plastic Cover |
| 19 | 725-1774 | 1 | | Parking Brake Switch Spring |
| 20 | 725-1976 | 1 | S | Systems Indicator Monitor, Hour Meter |
| 21 | 725-3223 | 1 | | Plunger Switch (Parking Brake) |
| 22 | 726-0278 | 1 | | Insulator Boss Plate |
| 23 | 726-0279 | 1 | | Insulator Plate |
| 24 | 736-0222 | 1 | S | External Lock Washer, 1/4 |
| 25 | 736-0329 | 1 | S | Lock Washer, 1/4 |

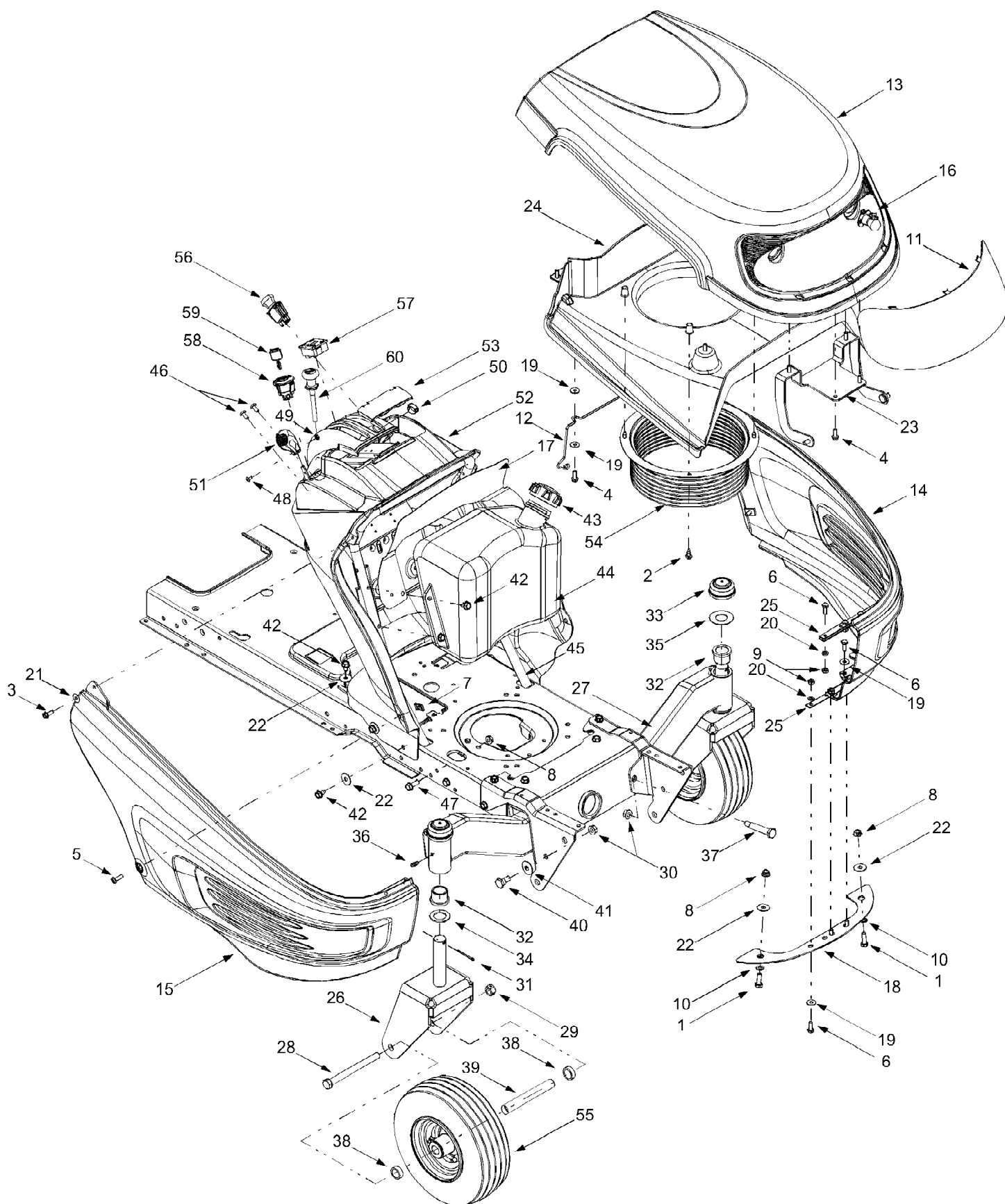
Briggs & Stratton Industrial Plus Twin



ZTT-1850 (2001)
Engine Accessories

Page 10 of 20

| Ref # | Part Number | Qty | S/P/F | Description |
|-------|-------------|-----|-------|--|
| 1 | 710-0227 | 1 | /P | Self-tapping Screw, #8-18 x .5 |
| 2 | 710-0599 | 1 | /P | Self-tapping Screw, 1/4-20 x .5 |
| 3 | 710-0604A | 1 | /P | Self-tapping Screw, 5/16-18 x .625 |
| 4 | 710-1237 | 1 | | Screw, #10-32 x .625 |
| 5 | 710-1314 | 1 | S | Socket Cap Screw, 5/16-18 x .625 |
| 6 | 710-1315 | 1 | /P | Self-tapping Screw, 3/8-16 x 1.25 |
| 7 | 712-3017 | 1 | S | Hex Nut, 3/8-16 |
| 8 | 721-0460 | 1 | | Exhaust Gasket (Industrial Plus Twin) |
| 9 | 726-0205 | 1 | /P | Hose Clamp |
| 10 | 736-0119 | 1 | S | Lock Washer, 5/16 |
| 11 | 736-0300 | 1 | S | Flat Washer, .406 x .875 x .059 |
| 12 | 751B221535 | 1 | /P | Casing Clamp |
| 13 | 751-0535 | 1 | | Fuel Line Hose |
| 14 | 751-0564 | 1 | S | Muffler Deflector |
| 15 | 751-0616 | 1 | S | Muffler, Twin Inlet |
| 16 | 751-0650 | 1 | S | RH Exhaust Pipe (Industrial Plus Twin) |
| 17 | 751-0651 | 1 | S | LH Exhaust Pipe (Industrial Plus Twin) |
| 18 | 751-3140 | 1 | S | Oil Drain Valve |
| 19 | 751-3141 | 1 | S | Oil Drain Hose |
| 20 | 751-3142 | 1 | | Oil Drain Cap |
| 21 | 783-0615 | 1 | S | Muffler Heat Shield |
| 22 | 783-0625B | 1 | S | Engine Heat Shield |
| 23 | 722-0263 | 1 | S | Foam (Fits over fuel line) |
| 24 | 746-1086 | 1 | S | Throttle Cable (Industrial Plus Twin) |
| ?27 | 751B213146 | 1 | /P | Casing Clamp |
| ?28 | 751-0617 | 1 | S | Muffler, Single Inlet |
| ?29 | 712-0271 | 1 | /P | Hex Sems Nut, 1/4-20 (For starter cable) |
| ?31 | 732-0966 | 1 | | Extension Spring, .275 x 1.25 |



ZTT-1850 (2001)
General Assembly - Front

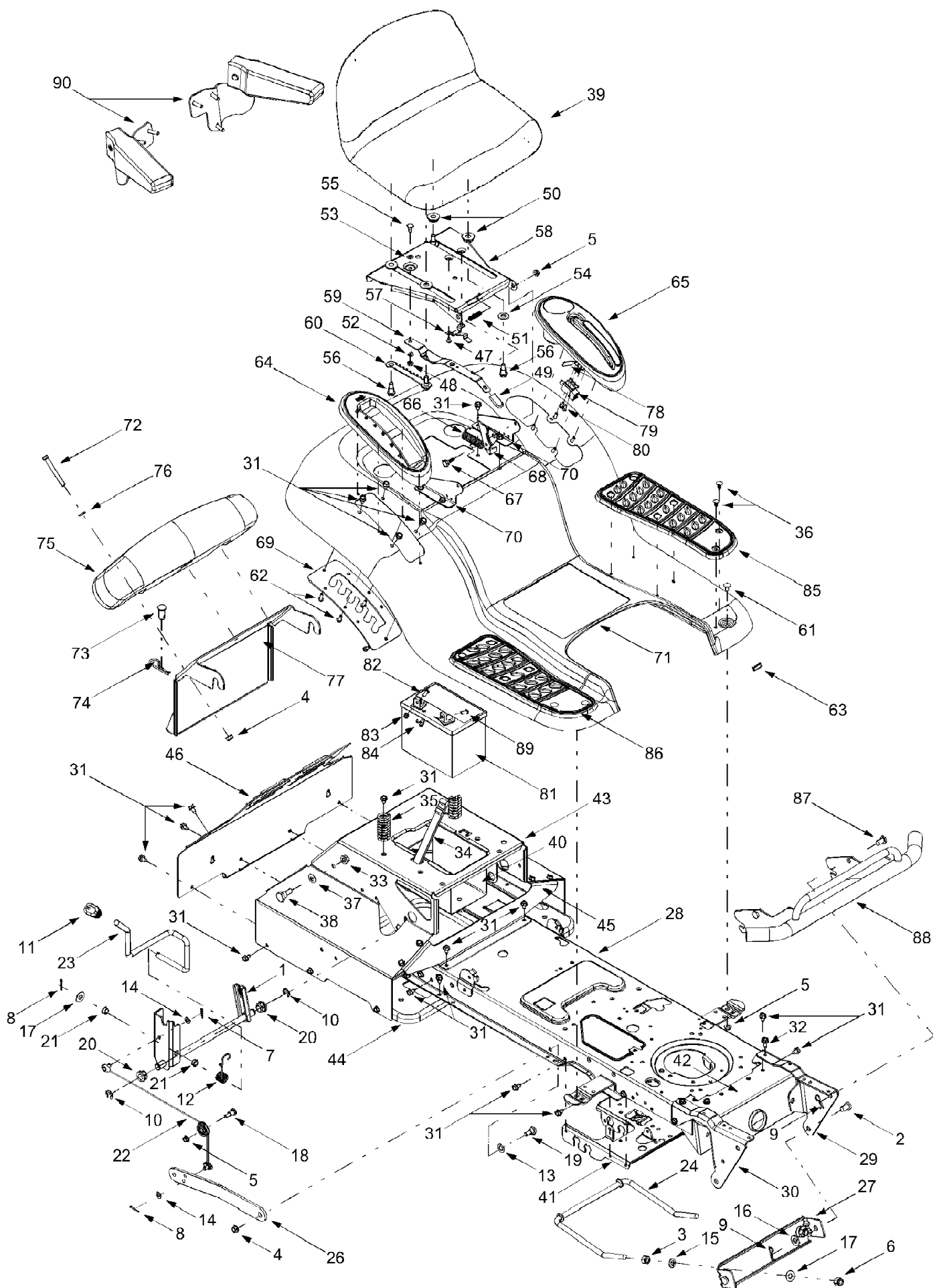
Page 12 of 20

| Ref # | Part Number | Qty | S/P/F | Description |
|-------|-------------|-----|-------|--|
| 1 | 710-0376 | 1 | /P | Hex Cap Screw, 5/16-18 x 1.0 |
| 2 | 710-0599 | 1 | /P | Self-tapping Screw, 1/4-20 x .5 |
| 3 | 710-0642 | 1 | /P | Self-tapping Screw, 1/4-20 x .75 |
| 4 | 710-0895 | 1 | | Self-tapping Screw, 1/4-15 x .75 |
| 5 | 710-0924 | 1 | /P | Pan Phillips Screw, 1/4-20 x .75 |
| 6 | 710-3015 | 1 | /P | Hex Cap Screw, 1/4-20 x .75 |
| 7 | 712-0292 | 1 | /P | U-type Speed Nut, 1/4-20 |
| 8 | 712-3004A | 1 | /P | Flange Lock Nut, 5/16-18 |
| 9 | 712-3006 | 1 | /P | Hex Nut, 1/4-20 |
| 10 | 726-0201 | 1 | | Speed Nut |
| 11 | 731-2286 | 1 | S | Head Light Lens |
| 12 | 747-1209 | 1 | S | Hood Latch Rod |
| 13 | 731-2283 | 1 | S | Hood, 6-style (Gray) |
| 14 | 731-2307 | 1 | S | LH Side Panel, 6-style (Gray) |
| 15 | 731-2308 | 1 | S | RH Side Panel, 6-style (Gray) |
| 16 | 625-0051 | 1 | S | Head Light Assembly |
| 17 | 783-1350 | 1 | S | Heat Shield |
| 18 | 731-2272 | 1 | /P | Heat Shield |
| 19 | 736-0173 | 1 | /P | Flat Washer, .28 x .74 x .063 |
| 20 | 736-0329 | 1 | S | Lock Washer, 1/4 |
| 21 | 736-0342 | 1 | | Flat Washer, .283 x .75 x .030 |
| 22 | 736-3078 | 1 | /P | Flat Washer, .349 x 1.0 x .063 |
| 23 | 683-0305 | 1 | S | Hood Bracket Assembly |
| 24 | 731-2284 | 1 | | Hood Plenum |
| 25 | 783-1000A | 1 | /P | Grille Support Bracket |
| 26 | 683-0425 | 1 | | Castor Assembly |
| 27 | 683-0453 | 1 | | Pivot Bar Axle Assembly |
| 28 | 710-0506 | 1 | /P | Hex Cap Screw, 1/2-20 x 5.5 |
| 29 | 712-0239 | 1 | S | Hex Lock Nut, 1/2-20 |
| 30 | 712-0431 | 1 | S | Flange Lock Nut, 3/8-16 |
| 31 | 714-3001 | 1 | S | Cotter Pin, .125 x 1.5 |
| 32 | 731-0374 | 1 | S | Flange Bearing |
| 33 | 731-0556 | 1 | | Plastic Cap |
| 34 | 736-0277 | 1 | | Flat Washer, 1.031 x 1.620 x .095 |
| 35 | 736-0345 | 1 | S | Flat Washer, 1.010 x 2.0 x .065 |
| 36 | 737-0280 | 1 | S | Grease Fitting, 1/4-28 |
| 37 | 738-1011 | 1 | S | Shoulder Screw, .50 x 2.23, 3/8-16 |
| 38 | 750-0456 | 1 | S | Spacer, .790 x .347 |
| 39 | 750-3197A | 1 | /P | Wheel Spacer |
| 40 | 738-0143 | 1 | /P | Shoulder Screw, 3/8-16 |
| 41 | 736-0331 | 1 | /P | Bell Washer, .39 x 1.13 x .062 |
| 42 | 710-0604A | 1 | /P | Self-tapping Screw, 16-18 x .625 |
| 43 | 751-0603 | 1 | S | Fuel Tank Cap (fits both fuel tanks) |
| 44 | 751-0659A | 1 | S | Fuel Tank, Two-gallon (shown) |
| | 751-0658B | 1 | | Fuel Tank, Three-gallon (not shown) |
| 45 | 683-0316 | 1 | | Dash Support Assembly |
| 46 | 710-1017 | 1 | /P | Torx Self-tapping Screw, 1/4-14 x .625 |
| 47 | 710-1238 | 1 | /P | Hex Head Washer Screw, 5/16-18 x .875 |
| 48 | 710-3217 | 1 | /P | Torx Screw, #8-32 x .375 |
| 49 | 712-0142 | 1 | /P | Hex Nut, 8-32 |
| 50 | 720-0425 | 1 | | Cap Plug, .812 |
| 51 | 731-1857 | 1 | | Throttle Control Lever |
| 52 | 731-2321 | 1 | | |

ZTT-1850 (2001)
General Assembly - Front

Page 13 of 20

| Ref # | Part Number | Qty | S/P/F | Description |
|-------|-------------|-----|-------|---|
| 53 | 731-2483 | 1 | | Dash Cap |
| 54 | 731-2232 | 1 | S | Intake Bellow (ZTT-1850) |
| | 731-2234 | 1 | S | Intake Bellow (ZTT-2150) |
| 55 | 634-3169 | 1 | | Wheel Assembly, 11 x 4 x 5 (Yellow Rim) |
| 56 | 725-1716 | 1 | S | Electric PTO Switch |
| 57 | 725-1976 | 1 | S | Systems Indicator Monitor/Hour Meter |
| 58 | 725-1741 | 1 | S | Ignition Switch |
| 59 | 725-1745 | 1 | S | Ignition Key w/ Plastic Cover |
| 60 | 746-1134 | 1 | | Choke Control/Cable (ZTT-2150) |



ZTT-1850 (2001)
General Assembly - Rear

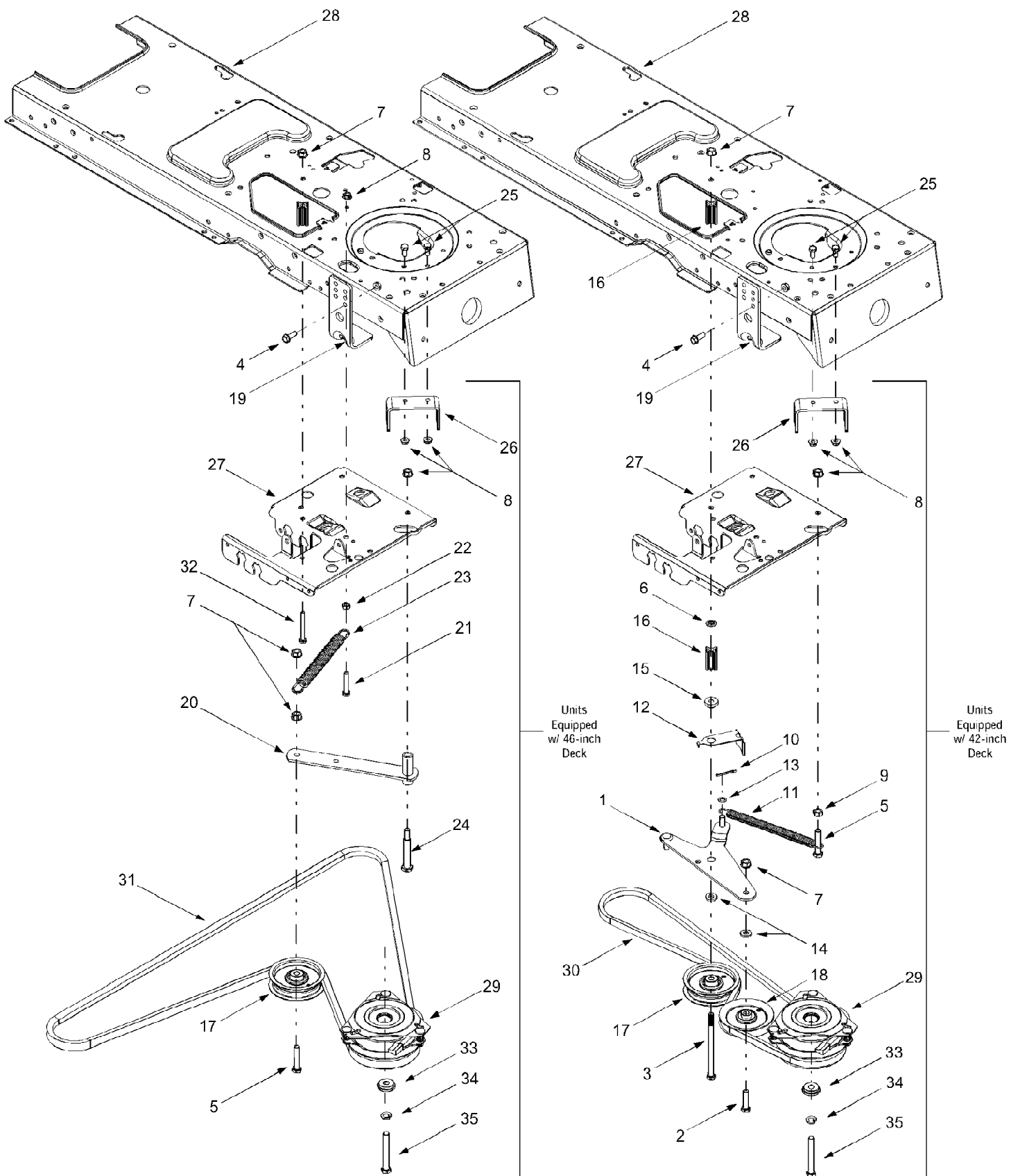
Page 15 of 20

| Ref # | Part Number | Qty | S/P/F | Description |
|-------|-------------|-----|-------|-------------------------------------|
| 1 | 683-0197 | 1 | S | Lift Shaft Assembly |
| 2 | 711-0332 | 1 | S | Clevis Pin, .5 x .78 |
| 3 | 712-0206 | 1 | S | Hex Nut, 1/2-13 |
| 4 | 712-0431 | 1 | S | Flange Lock Nut, 3/8-16 |
| 5 | 712-3004A | 1 | /P | Flange Lock Nut, 5/16-18 |
| 6 | 712-3083 | 1 | /P | Hex Nut, 1/2-13 |
| 7 | 714-0104 | 1 | S | Internal Cotter Pin |
| 8 | 714-0111 | 1 | S | Cotter Pin, 3/32 x 1.0 |
| 9 | 714-0145 | 1 | S | Internal Cotter Pin |
| 10 | 716-0106 | 1 | /P | E-ring |
| 11 | 720-0311 | 1 | | Handle Grip |
| 12 | 732-0874 | 1 | /P | Torsion Spring |
| 13 | 736-0160 | 1 | S | Flat Washer, .53 x .93 x .050 |
| 14 | 736-0275 | 1 | S | Flat Washer, .344 x .688 x .065 |
| 15 | 736-0921 | 1 | S | Lock Washer, 1/2 |
| 16 | 736-3019 | 1 | | Flat Washer, .31 x 1.062 x .134 |
| 17 | 736-3084 | 1 | /P | Flat Washer, .51 x 1.12 x .06 |
| 18 | 738-0138A | 1 | /P | Hex Cap Screw, 5/16-18 x .62 |
| 19 | 738-0143 | 1 | /P | Shoulder Screw, 3/8-16 |
| 20 | 741-0225 | 1 | S | Hex Flange Bearing |
| 21 | 741-0715 | 1 | S | Snap Flange Bearing |
| 22 | 746-0968 | 1 | | Lift Cable, 16.16 |
| 23 | 747-1111 | 1 | S | Lift Handle |
| 24 | 747-1130A | 1 | S | Deck Stabilizer Rod |
| ?25 | 756-1154 | 1 | | Roller Pulley |
| 26 | 783-0678A | 1 | S | Lift Arm |
| 27 | 783-0720A | 1 | S | Deck Stabilizer Bracket |
| 28 | 683-0314 | 1 | | Frame Assembly |
| 29 | 683-0589 | 1 | | LH Pivot Support Bracket Assembly |
| 30 | 683-0590 | 1 | S | RH Pivot Support Bracket Assembly |
| 31 | 710-0604A | 1 | /P | Self-tapping Screw, 16-18 x .625 |
| 32 | 710-1260A | 1 | /P | Self-tapping Screw, 5/16-18 x .75 |
| 33 | 712-0459 | 1 | /P | Flange Lock Nut, 7/16-20 |
| 34 | 723-0444 | 1 | | Battery Strap |
| 35 | 732-3080 | 1 | S | Compression Spring, 1.28 x 3.5 |
| 36 | 726-3046 | 1 | /P | Ratchet Clip, .25 |
| 37 | 736-0407 | 1 | | Bell Washer, .45 x 1.0 x .062 |
| 38 | 738-1020 | 1 | | Shoulder Screw, .625 x .50, 7/16-20 |
| 39 | 757-0388 | 1 | | Seat, High Back (Black) |
| 40 | 783-0349 | 1 | | Battery Tray |
| 41 | 783-0653D | 1 | S | Steering Support Bracket |
| 42 | 783-0728 | 1 | | Pivot Bar Bracket |
| 43 | 783-1044 | 1 | | Upper Frame |
| 44 | 783-1045 | 1 | | Transmission Bracket |
| 45 | 783-1046 | 1 | S | Support Bracket |
| 46 | 783-1047 | 1 | | Rear Access Plate |
| 47 | 710-1268 | 1 | /P | Screw, #10-16 x .375 |
| 48 | 712-3027 | 1 | S | Hex Flange Lock Nut, 1/4-20 |
| 49 | 720-0309A | 1 | /P | Seat Adjuster Grip |
| 50 | 731-1989 | 1 | | Spacer |
| 51 | 732-0499 | 1 | | Compression Spring, .41 x 1.5 |
| 52 | 736-0175 | 1 | S | Spring Washer, .265 x .562 x .025 |
| 53 | 736-0204 | 1 | /P | Flat Washer, .344 x .62 x .03 |

ZTT-1850 (2001)
General Assembly - Rear

Page 16 of 20

| Ref # | Part Number | Qty | S/P/F | Description |
|-------|-------------|-----|-------|---|
| 54 | 736-3019 | 1 | | Flat Washer, .31 x 1.062 x .134 |
| 55 | 738-0137A | 1 | S | Shoulder Screw, .340 x .285, 1/4-20 |
| 56 | 738-1007 | 1 | | Shoulder Screw, .50 x .50, 3/8-16 |
| 57 | 783-0611 | 1 | | Seat Stop |
| 58 | 783-0738 | 1 | S | Seat Pivot Bracket |
| 59 | 783-0739 | 1 | | Seat Adjustment Lever |
| 60 | 783-0753 | 1 | | Seat Adjustment Selector |
| 61 | 710-0260A | 1 | /P | Carriage Screw, 5/16-18 x .62 |
| 62 | 710-0895 | 1 | | Self-tapping Screw, 1/4-15 x .75 |
| 63 | 731-0511 | 1 | /P | Trim Strip |
| 64 | 731-1990 | 1 | | Lift Lever Cover |
| 65 | 731-2319 | 1 | | Parking Brake Lever Cover w/ Cup Holder |
| 66 | 732-1027 | 1 | | Extension Spring, .750 x 3.8 |
| 67 | 738-0296 | 1 | S | Shoulder Screw, .437 x .286 |
| 68 | 783-0209 | 1 | S | Seat Lift Bracket |
| 69 | 783-0677 | 1 | S | Lift Adjuster Bracker |
| 70 | 783-0715A | 1 | S | Seat Mounting Bracket |
| 71 | 783-1349 | 1 | | ZTT Fender |
| 72 | 710-3130 | 1 | /P | Hex Cap Screw, 3/8-16 x 3.25 (Grade 8) |
| 73 | 711-0309A | 1 | /P | Clevis Pin, .62 Diameter |
| 74 | 714-0117 | 1 | /P | Internal Cotter Pin, .148 x 3.0 |
| 75 | 731-2341 | 1 | | Rear Bumper Weight |
| 76 | 736-3010 | 1 | | Flat Washer, .407 x .812 x .135 |
| 77 | 783-1275 | 1 | | Bumper Support Bracket |
| 78 | 725-1774 | 1 | | Spring Switch |
| 79 | 725-3223 | 1 | | Plunger Switch (Parking Brake) |
| 80 | 710-1823 | 1 | | Pan Phillips Screw, #12-16 x .625 |
| 81 | 725-1706 | 1 | S | Battery, 270 CCA |
| 82 | 710-0703 | 1 | /P | Hex Cap Screw, 1/4-20 x .75 |
| 83 | 712-0271 | 1 | /P | Hex Sems Nut, 1/4-20 |
| 84 | 712-3087 | 1 | /P | Wing Nut, 1/4-20 |
| 85 | 735-0657 | 1 | | LH Foot Pad |
| 86 | 735-0678 | 1 | | RH Foot Pad |
| 87 | 711-0332 | 1 | S | Clevis Pin, .50 x .78 |
| 88 | 768-0010 | 1 | S | Bumper Assembly |
| 89 | 738-1132 | 1 | | Shoulder Screw, 1/4-20, .25 x .15 |
| 90 | 757-3009 | 1 | | Arm Rest Assembly (Includes LH & RH) |

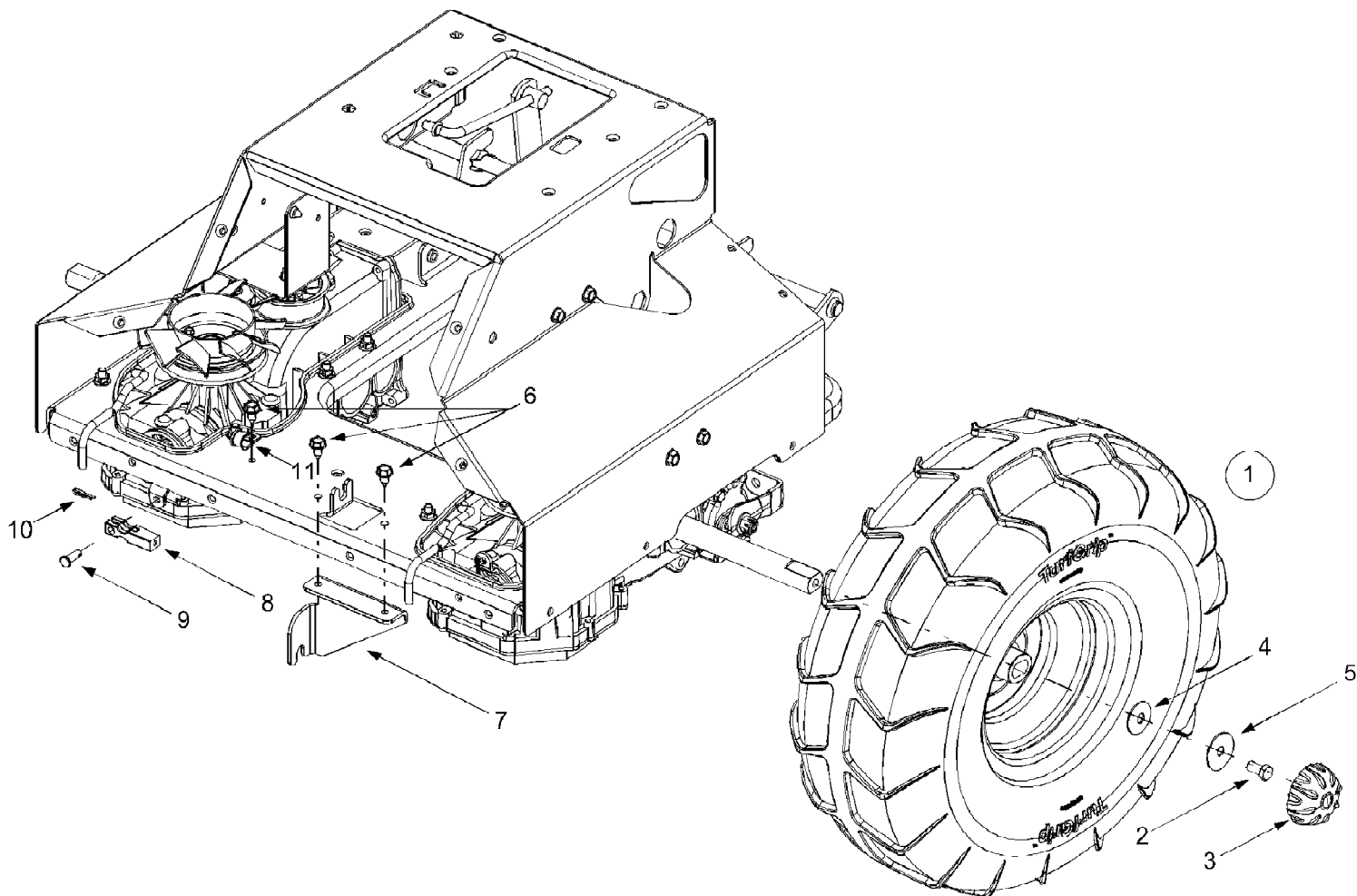


ZTT-1850 (2001)
PTO

Page 18 of 20

| Ref # | Part Number | Qty | S/P/F | Description |
|-------|-------------|-----|-------|---|
| 1 | 683-0450 | 1 | /P | Engagement Plate Assembly |
| 2 | 710-0520 | 1 | /P | Hex Cap Screw, 3/8-16 x 1.5 |
| 3 | 710-0831 | 1 | | Hex Cap Screw, 3/8-16 x 5.5 |
| 4 | 710-1238 | 1 | /P | Hex Head Washer Screw, 5/16-18 x .875 |
| 5 | 710-3144 | 1 | /P | Hex Cap Screw, 3/8-16 x 2.0 |
| 6 | 712-0229 | 1 | | Push Nut, 3/8 |
| 7 | 712-0431 | 1 | S | Flange Lock Nut, 3/8-16 |
| 8 | 712-3004A | 1 | /P | Flange Lock Nut, 5/16-18 |
| 9 | 712-3017 | 1 | S | Hex Nut, 3/8-16 |
| 10 | 714-0470 | 1 | S | Cotter Pin, 1/8 x 1.25 |
| 11 | 732-0384 | 1 | S | Extension Spring, .62 x 6.12 |
| 12 | 732-0991A | 1 | /P | Belt Guard |
| 13 | 736-0140 | 1 | S | Flat Washer, .385 x .62 x .063 |
| 14 | 736-3010 | 1 | | Flat Washer, .407 x .812 x .135 |
| 15 | 738-0372 | 1 | S | Shoulder Spacer, .380 |
| 16 | 748-0415A | 1 | S | Spacer, 3/8 x 1.54 |
| 17 | 756-0627B | 1 | S | Idler Pulley, 3.5 |
| 18 | 756-1208 | 1 | | Idler Pulley, 4.0 |
| 19 | 783-0891B | 1 | | Deck Stop |
| 20 | 683-0297 | 1 | S | Idler Bracket Assembly |
| 21 | 710-3180 | 1 | /P | Hex Cap Screw, 5/16-18 x 1.75 |
| 22 | 712-3010 | 1 | S | Hex Nut, 5/16-18 |
| 23 | 732-0978 | 1 | | Extension Spring, .62 x 5.62 |
| 24 | 738-3056 | 1 | S | Shoulder Screw, 1/2 x 2.5 |
| 25 | 710-3025 | 1 | /P | Hex Cap Screw, 5/16-18 x .625 |
| 26 | 783-1003 | 1 | S | Electric Clutch Anti-rotation Bracket |
| 27 | 783-0653D | 1 | S | Steering Support Bracket |
| 28 | 683-0314 | 1 | | Frame Assembly |
| 29 | 717-1708 | 1 | S | Electric PTO Clutch |
| 30 | 754-0497 | 1 | S | PTO Belt (42-inch Decks) |
| 31 | 754-0474 | 1 | S | PTO Belt (46-inch Decks) |
| 32 | 710-0859 | 1 | /P | Hex Cap Screw, 3/8-16 x 2.5 |
| 33 | 738-0785 | 1 | S | Shoulder Spacer, 1.38 x .445 x .36 |
| 34 | 736-0171 | 1 | S | Lock Washer, 7/16 |
| 35 | 710-3157 | 1 | S | Hex Cap Screw, 7/16-20 x 3.25 (Grade 5) |

ZTT-1850 (2001)
Wheels, Rear



ZTT-1850 (2001)
Wheels, Rear

Page 20 of 20

| Ref # | Part Number | Qty | S/P/F | Description |
|-------|-------------|-----|-------|---------------------------------------|
| 1 | 634-0215 | 1 | | LH Wheel Assembly Complete, 20 x 7 |
| | 634-0216 | 1 | | RH Wheel Assembly Complete, 20 x 7 |
| | 634-0209 | 1 | | Rim Only |
| | 734-0255 | 1 | S | Air Valve |
| | 734-2019 | 1 | | Tire Only, 20.4 x 7.0 x 8.0 Turf-Grip |
| 2 | 710-0180 | 1 | /P | Hex Cap Screw, 3/8-24 x .75 |
| 3 | 731-2290A | 1 | /P | Hub Cap |
| 4 | 736-0356 | 1 | S | Bell Washer, .391 x 1.38 x .062 |
| 5 | 736-0372 | 1 | | Flat Washer, .410 x 1.59 x .062 |
| 6 | 710-0604A | 1 | /P | Self-tapping Screw, 16-18 x .625 |
| 7 | 783-1069 | 1 | | Cable Bracket |
| 8 | 748-0452 | 1 | | Control Yoke |
| 9 | 711-1601 | 1 | | Clevis Pin, .3125 x .81 |
| 10 | 714-0104 | 1 | S | Internal Cotter Pin, 5/16 |
| 11 | 726-0272 | 1 | /P | Clamp, 9/16 |