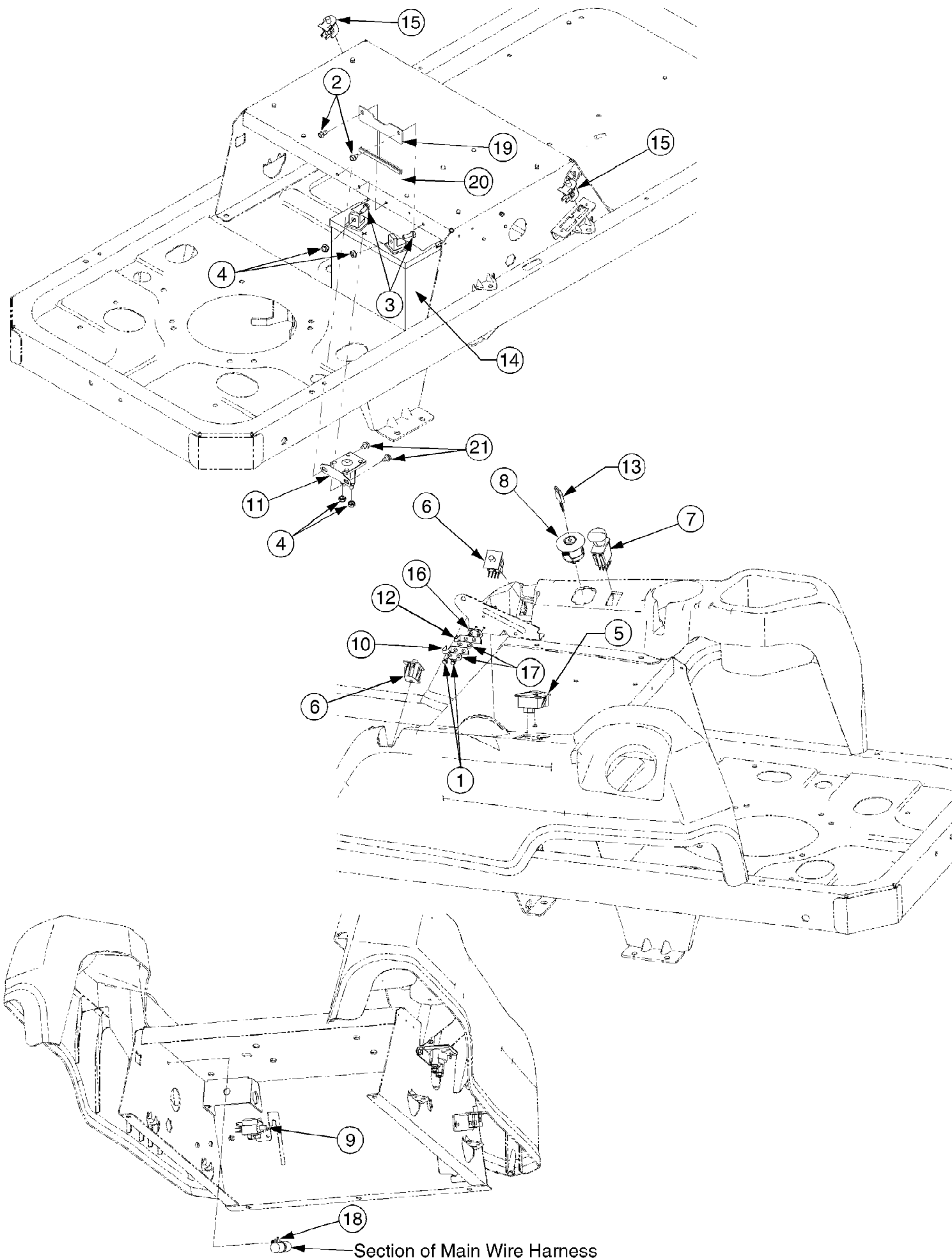


ZT-5000 (2007)  
Drive

Page 2 of 21

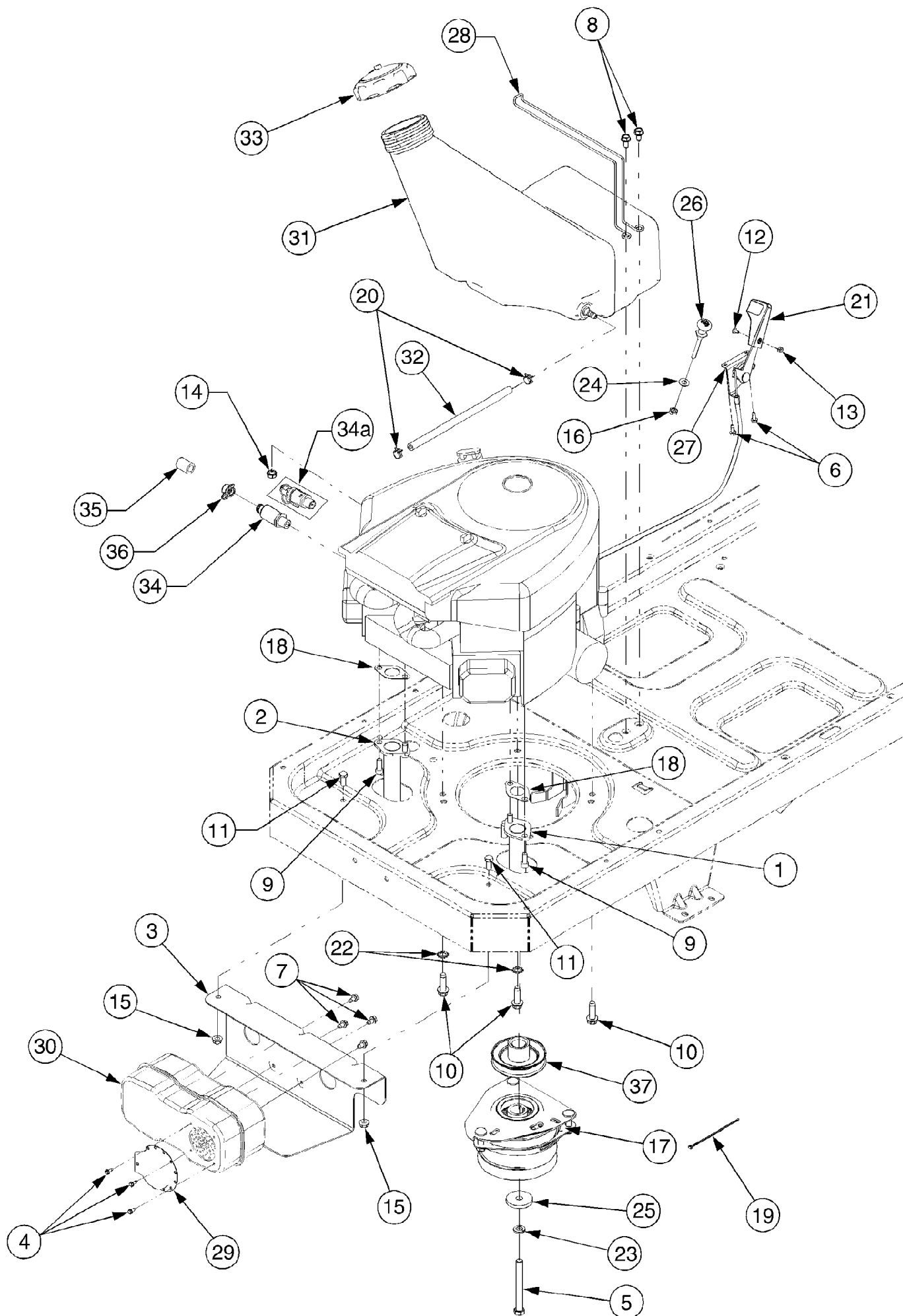
Ref #	Part Number	Qty	S/P/F	Description
1	918-04317	2	/P	Hub, Wheel
1	710-0852	8	/P	Stud, Rib Neck, 7/16-14 x 1.6 not shown
2	618-04431	1	S	Transmission Assembly LH -Before Mfg. Date A267
2	618-04431A	1	S	Transmission Assembly LH -Mfg. Date A267 & After - Replaces 618-04431
	732-04448	1	/P	Neutral Return Spring must have the same color neutral return spring on RH & LH transmission, not shown
3	618-04432	1	S	Transmission Assembly RH -Before Mfg. Date A267
3	618-04432A	1	S	Transmission Assembly RH -Mfg.Date A267 & After - Replaces 618-04432
	732-04448	1	/P	Neutral Return Spring must have the same color neutral return spring on RH & LH transmission, not shown
4	634-04294	2		ZT4200 Wheel Ass'y, 18 x 6.5 x 8
4	734-04246	2		ZT4200 Tire, 18 x 6.5 x 8 not shown
4	603-04173	2		ZT4200 Rim Assembly not shown
4	734-0255	2	S	Valve Assembly not shown
4	634-04171	2	S	ZT5000 Wheel Ass'y, 18 x 9.5 x 8
4	734-1729	2		ZT5000 Tire, 18 x 9.5 x 8 not shown
4	603-04175	2		ZT5000 Rim Assembly not shown
4	734-0255	2	S	Valve Assembly not shown
5	710-0176	4	/P	Screw, Hex Cap, 5/16-18 x 2.75 GR5
6	710-0395	2	/P	Screw, Hex Cap, 5/16-18 x 2.25 GR5
7	710-3119	2	/P	Screw, Hex Cap Lock, 3/8-16 x .75 GR5
8	712-04063	6	/P	Nut, Hx Flnge Insert Lck, 5/16-18 GrF
9	712-0459	2	/P	Nut, Hex Flange Lock, 7/16-20 GrB .
10	712-3050	8	/P	Nut, Lug, 7/16-14
11	714-0507	2	S	Pin, Cotter, 3/32 x .75
12	736-0227	2	S	Washer, Flat, .39 x 1.5 .134
13	738-04192	2		Rod, .405 x 14.0
14	747-04217C	2	S	Rod, Bypass
15	750-04561	2		Tube, .45 x .69 x 10.2
16	754-04043	1	S	V-Belt, Type A Sec x 57.7
17	726-04059	2		Clamp, Hose
18	751-10474	2		Hose, Breather
	737-3120	1	/P	Drive System Fluid not shown



ZT-5000 (2007)  
Electrical

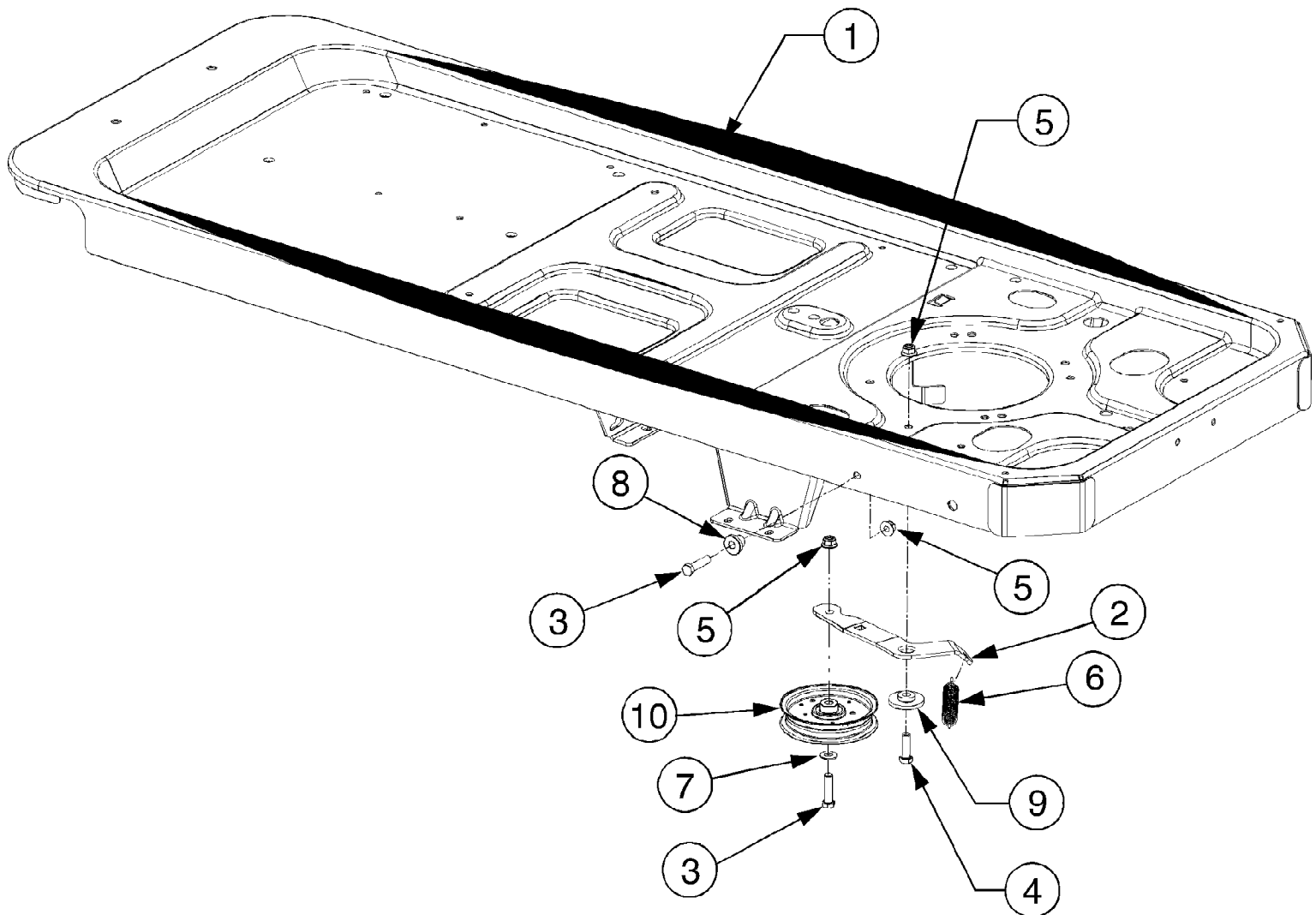
Page 4 of 21

Ref #	Part Number	Qty	S/P/F	Description
1	710-0227	2	/P	Screw, Hex Wash. Hd. Tapp #8-18 x .5
2	710-0599	2	/P	Screw, Hex Wash. Hd. Tapp, 1/4-20 x .5
3	710-3015	2	/P	Screw, Hex Cap, 1/4-20 x .75 GR5
4	712-0271	4	/P	Nut, Hex Sems, 1/4-20
5	725-04022B	1	S	Meter, Hour
6	725-04165	2	S	Switch, Dbl. Pole - Neutral
7	725-04174	1	S	Switch, PTO
8	725-04228	1	S	Switch, Ignition
9	725-04232	1		Switch, 3-Pole, (NC-NO-NO) - Brake
10	725-1303	1	S	Switch, Outer Seat Spring
11	725-1426A	1	S	Solenoid
12	725-1439	1		Switch, Inner Seat Spring
13	925-1745	1	S	Key
14	725-1707D	1	S	Battery, 235 CCA
15	725-3166	2	S	Switch, Snap Mount (N.C.) - Reverse
16	726-0278	1		Plate, Insulator Boss
17	726-0279	2		Plate, Insulator
18	726-0470	2		Tie, Cable
19	703-05894	1	S	Bracket, Battery Holddown
20	731-0511-5	1		Strip, Trim 4.5 in
21	710-0653	2	/P	Screw, Hex Wash. Hd. Tapp, 1/4-20 x .375
	725-04434	1		Harness Assembly, Wire not shown



## Engine Connections Model ZT-5000

Ref #	Part Number	Qty	S/P/F	Description
1	603-04162	1		Tube, Exhaust RH
2	603-04163	1		Tube, Exhaust LH
3	703-05441A	1	/P	Bracket, Muffler Mounting
4	710-0227	3	/P	Screw, Hex Wash. Hd. Tapp #8-18 x .5
5	710-04248	1	/P	Screw, Hex Cap, 7/16-20 x 4.0 GR5
6	710-04261	2		Screw, Hex Wash. Hd. Tapp #12-16 x .5
7	710-0599	4	/P	Screw, Hex Wash. Hd. Tapp 1/4-20 x .5
8	710-0726	2	/P	Screw, Hex Wash. Hd. Tapp 5/16-12 x .75
9	710-1314A	4	/P	Screw, Socket Hd. 5/16-18 x .75
10	710-1315	4	/P	Screw, Hex Wash. Hd. Tapp 3/8-16 x 1.25
11	710-3008	2	/P	Screw, Hex Cap, 5/16-18 x .75 GR5
12	710-3217	1	/P	Screw, Truss Hd. Mach. #8-32 x .375
13	712-0142	1	/P	Nut, Hex, #8-32
14	712-0271	1	/P	Nut, Hex Sems, 1/4-20
15	712-04063	2	/P	Nut, Hx Insert Flng. Lck., 5/16-18 GR5
16	712-3005	1	S	Nut, Hex Jam, 3/8-16 GR2
17	717-04183	1	S	Clutch Assembly, Electric PTO
18	721-0460	2		Gasket, Exhaust
19	726-0197	2		Tie, Cable
20	726-0205	2	/P	Clamp, Hose
21	731-04914	1	/P	Knob, Throttle Control
22	736-0148	2		Washer, Ext. Tooth Lock, 3/8
23	736-0171	1	S	Washer, Lock, 7/16
24	736-0300	1	S	Washer, Flat, .406 x .875 x .059
25	736-04131	1	/P	Washer, Flat, .438 x 1.75 x .25
26	746-04214	1	S	Cable, Choke, 61Lg
27	746-1086	1	S	Cable, Throttle, 39.0 Lg
28	747-04228A	1		Wire, Tank Mounting
29	751-0564B	1	/P	Deflector, Muffler
30	751-0616B	1	/P	Muffler
31	751-10057C	1	S	Tank, Fuel, 3.0 Gal.
32	751-10349	1		Hose, Fuel Line 10in
33	751-3124B	1	S	Cap, Fuel
34	751-3140	1	S	Valve, Oil Drain - Before Mfg. Code C097
34a	751-10517	1	S	Valve, Oil Drain - Mfg. Code C097 and After
35	751-3141-14	1	/P	Hose, Oil Drain Extension
36	751-3142	1		Cap, Oil Drain Valve - Before Mfg. Code C097
37	756-0978B	1	/P	Pulley, Drive

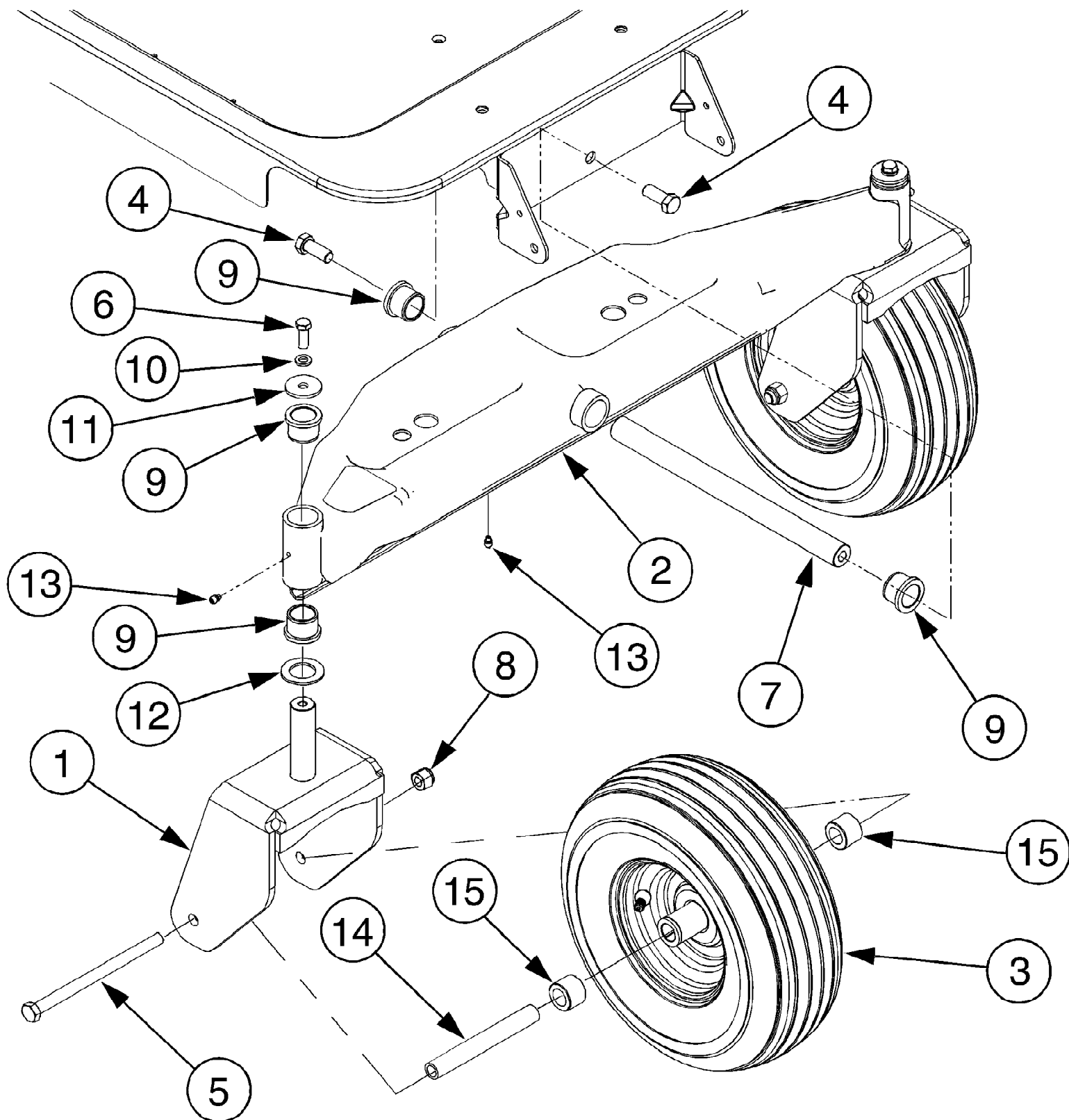


ZT-5000 (2007)  
Frame

Page 8 of 21

Ref #	Part Number	Qty	S/P/F	Description
1	603-04303C	1	/P	Frame Assembly
1	777I22489	2		Graphic, Release Lever not shown
1	777D10797	1		Graphic, White Outdoor not shown
2	703-05829	1	/P	Idler Arm, Drive
3	710-0520	3	/P	Screw, Hex Cap, 3/8-16 x 1.5 GR5
4	710-3005	1	/P	Screw, Hex Cap, 3/8-16 x 1.25 GR5
5	712-04065	4	/P	Nut, Hx Insert Flnge Lck, 3/-16 GrF
6	732-0626	1		Spring, Extension, .75 x 5.06
7	736-0300	1	S	Washer, Flat, .408 x .875 x .059
8	738-04058	2		Spacer, Shoulder, .39 x 1.0 x .7
9	738-04162A	1	/P	Spacer, Shoulder, .884 x .19
10	756-04129	1	S	Pulley, Idler, 4.25 Dia.





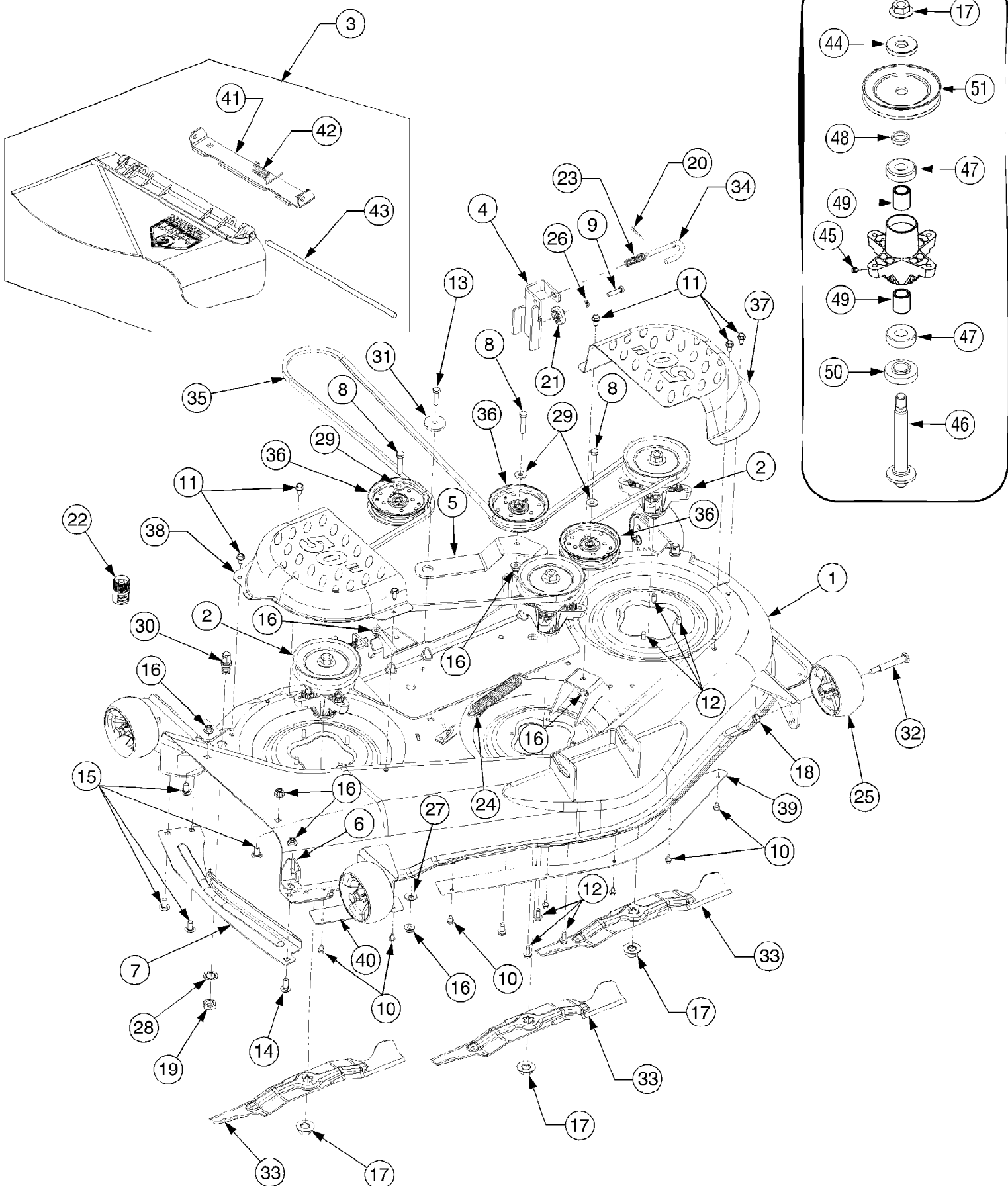
ZT-5000 (2007)

Page 10 of 21

Front Axle &amp; Wheels Model ZT-5000

Ref #	Part Number	Qty	S/P/F	Description
1	603-04370	2		Bracket, Castor Wheel
2	603-04385	1		Axle, Front Pivot
3	634-04323A	2	/P	Wheel Assembly, 13 x 5-6
3	734-04255	2		Tire, 13 x 5-6 not shown
4	710-04186	2	/P	Screw, Hex Lock, 1/2-13 x 1.25 GR5
5	710-04652	2		Screw, Hex Cap, 1/2-20 x 7.25 Gr5
6	710-0514	2	/P	Screw, Hex Cap, 3/8-16 x 1.0 GR5
7	711-04228	1	S	Shaft, Axle
8	712-3058	2		Nut, Hex Insert Lock, 1/2-13 GRB
9	731-05500	6		Bearing, Flange, 1.0 x 1.246
10	736-0169	2	S	Washer, Lock, 3/8
11	736-0227	2	S	Washer, Flat, .39 x 1.5 x .134
12	736-0250	2	/P	Washer, Flat, 1.0 x 1.75 x .10
13	737-3000	3	S	Fitting, Lube, 3/16 Drive
14	750-04775A	2	/P	Spacer, .51 x .75 x 5.825
15	750-04792	4		Hub, .76 x 1.23 x .92

ZT-5000 (2007)  
Mower Deck Model ZT-5000



ZT-5000 (2007)

Page 12 of 21

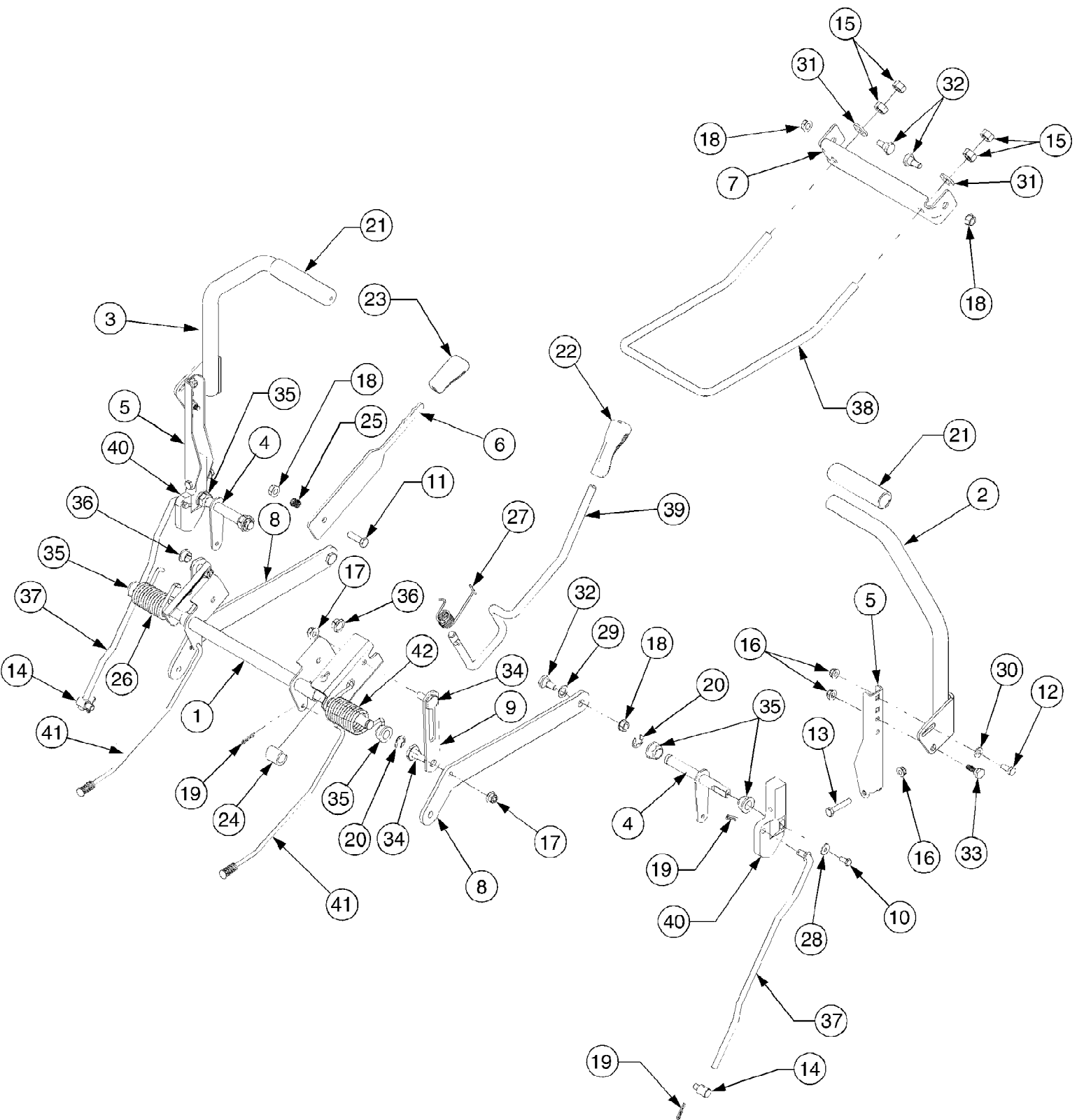
Mower Deck Model ZT-5000

Ref #	Part Number	Qty	S/P/F	Description
1	603-04328	1	S	Housing, Deck
1	777S32598	1		Graphic, Danger not shown
1	777S30503	1	/P	Graphic, Danger not shown
1	777I22282	1	S	Graphic, Instruction not shown
1	777D09788	1		Graphic, Deck Wash not shown
1	777D10800	1		Graphic, 50" Wide Cut not shown
2	618-04126A	3	S	Spindle Assembly
3	631-04070A	1	/P	Chute Assembly, Discharge
3	777S30284	1	S	Graphic, Danger not shown
4	683-0254	1	S	Bracket, Deck Hanger
5	703-05825A	1		Arm, Idler
6	703-3279	1		Bracket, Stop
7	703-3511A	1	S	Guard, Finger
8	710-0347	3	/P	Screw, Hex Cap, 3/8-16 x 1.75 GR5
9	710-0528	1	/P	Screw, Hex Cap, 5/16-18 x 1.25 GR5
10	710-0599	7	/P	Screw, Hex Wash. Hd. Tapp, 1/4-20 x .5
11	710-0726	6	/P	Screw, Hex Wash. Hd. Tapp, 5/16-12 x .75
12	710-1260A	12	/P	Screw, Hex Wash. Hd. Tapp, 5/16-18 x .75
13	710-3005	1	/P	Screw, Hex Cap, 3/8-16 x 1.25 GR5
14	710-3168	1	/P	Screw, Carriage, 3/8-16 x 1.0
15	710-3178	4	/P	Screw, Carriage, 3/8-16 x .75
16	712-04065	9	/P	Nut, Hx Insert Flange Lck, 3/6-16 GrF
17	712-0417A	6	/P	Nut, Hex Flange, 5/8-18
18	712-0431	4	S	Nut, Hex Flange Lock, 3/8-16 GRF
19	712-0641	2	S	Nut, Hex, M16-1.5
20	714-0470	2	S	Pin, Cotter, 1/8 x 1.25
21	717-04074	1	S	Gear, Deck Adjustment
22	721-04041	1	S	Adapter, Water Nozzle
23	732-0306A	2	S	Spring, Compression
24	732-0459	1	S	Spring, Extension, .94 Dia. x 6.74
25	734-04155	4		Wheel, Deck Ball, 5.0
26	736-0119	1	S	Washer, Lock, 5/16
27	736-0407	1		Washer, Bell, .45 x 1.0 x .062
28	736-0225	2	/P	Washer, Internal Tooth Lock, 5/8
29	736-3072	3	/P	Washer, Flat, .38 x .93 x .110 HT
30	737-04003C	2	S	Nozzle, Deck Wash
31	738-04162A	1	/P	Spacer, Shoulder, .884 x .190
32	738-3056	4	S	Screw, Shoulder, .5 x 2.5:3/8-16
33	742-04053B	3	S	Blade, 2 in 1, 17.9 Lg
34	747-1116	2	/P	Rod, Deck Hanger
35	754-04044A	1		Belt V, Type A Sec x 134
36	756-04129	3	S	Pulley, Idler, 4.25 Dia
37	783-04399	1		Cover, Belt LH
38	783-04400	1		Cover, Belt RH
39	783-04414	1	S	Skirt, Center
40	783-04415	1		Skirt, RH
41	783-05030	1		Bracket, Chute Mounting
42	732-04372	1		Spring, Torsion
43	711-04565	1		Pin, Hinge
44	736-0315	3	/P	Washer, Flat, .76 x 1.50 x .12
45	737-3000	3	S	Fitting, Lube
46	738-1010A	3	/P	Shaft, Spindle, 5.75
47	741-0919	6	S	Pin, Hinge

ZT-5000 (2007)  
Mower Deck Model ZT-5000

Page 13 of 21

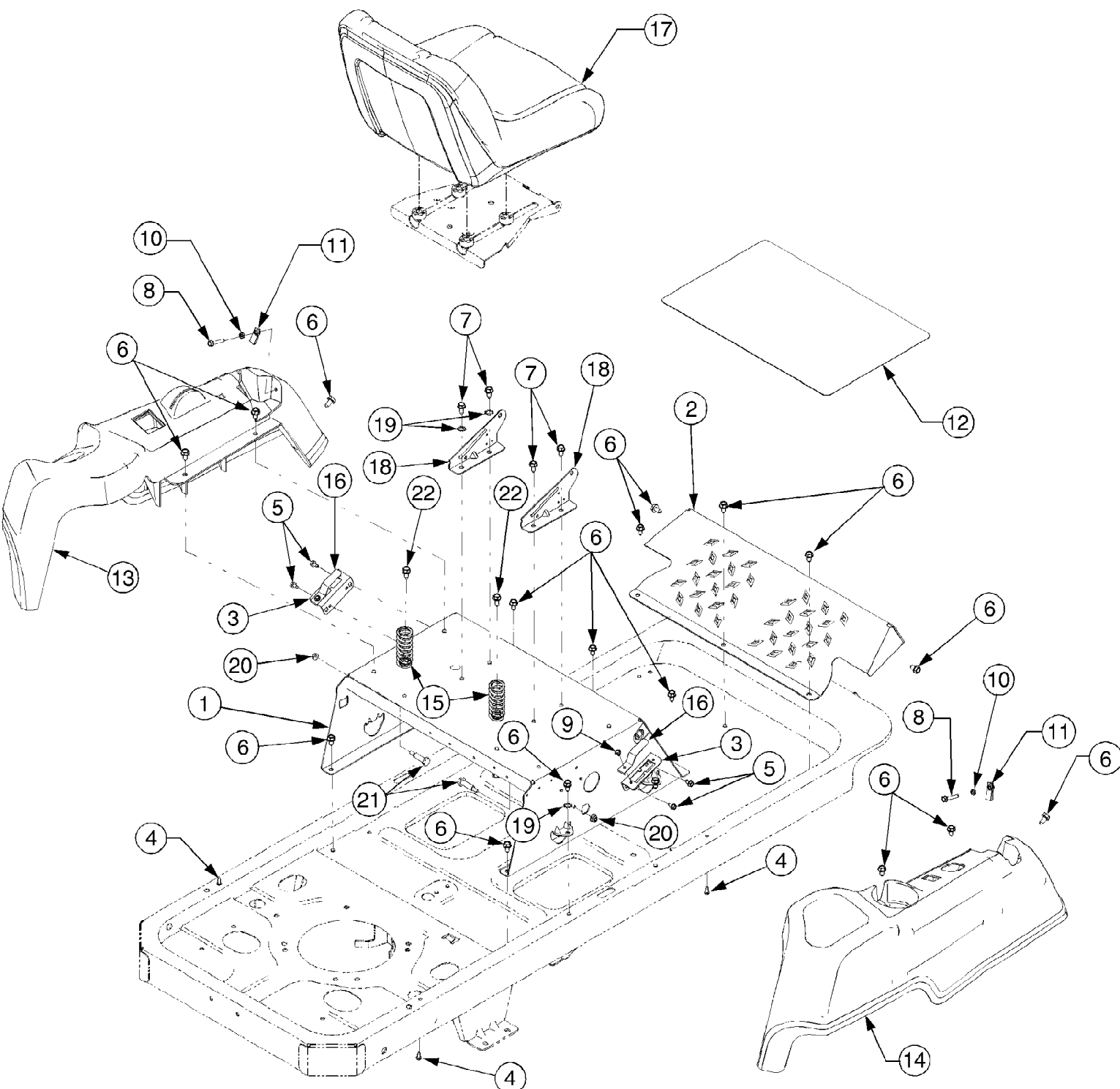
Ref #	Part Number	Qty	S/P/F	Description
48	748-0160A	3		Spacer, .79 x 1.25 x .175
49	750-1000	6		Spacer, .80 x 1.10 x 1.32
50	750-1349A	3	/P	Spacer, .79 x 1.82 x .55
51	756-04216	3		Pulley, V Type, 5.39



ZT-5000 (2007)  
Operator's Controls

Page 15 of 21

Ref #	Part Number	Qty	S/P/F	Description
1	603-04160B	1	S	Shaft Assembly, Deck Lift
2	603-04322	1		Lever, Lapbar, RH
3	603-04324	1		Lever, Lapbar, LH
4	647-04099	2	S	Shaft, Control
5	703-05387A	2	S	Bracket, Lapbar Pivot
6	703-05396	1	S	Handle, Brake
7	703-05414A	1		Bracket, Front Deck Hanger
8	703-05793A	2		Arm, Deck Lift
9	703-05907	2		Plate, Lift Link
10	710-0433	2	/P	Screw, Hex Lock, 1/4-20 x .62 GR5
11	710-3005	1	/P	Screw, Hex Cap, 3/8-16 x 1.25 GR5 ...
12	710-3008	2	/P	Screw, Hex Cap, 5/16-18 x .75 GR5 ...
13	710-3180	2	/P	Screw, Hex Cap, 5/16-18 x 1.75 GR5
14	711-0832	2	S	Ferrule, 3/8-24 x .375
15	712-0206	4	S	Nut, Hex, 1/2-13 GR5
16	712-04063	6	/P	Nut, Hx Flange Insert Lck, 5/16-18 GrF
17	712-04065	4	/P	Nut, Hx Flange Insert Lck, 3/8-16GrF
18	712-0431	5	S	Nut, Hex Flange Lock, 3/8-16 GRF
19	714-0104	6	S	Pin, Internal Cotter
20	716-0106	4	/P	E-Ring , .625 Dia. Shaft
21	720-0274	2	/P	Grip, Hand
22	720-0311	1		Grip, Handle
23	731-04735	1		Grip, Handle
24	731-05732	1		Spacer, .62 x 1.0
25	732-0334	1	S	Spring, Compression
26	732-04420	1		Spring, Torsion LH - Model ZT 5000 ONLY
27	732-04422	1	S	Spring, Torsion
28	736-0270	2	/P	Washer, Bell, .265 x .75 x .062
29	736-0272	2	S	Washer, Flat, .51 x 1.0 x .06
30	736-0275	2	S	Washer, Flat, .344 x .688 x .065
31	736-3019	2		Washer, Flat, .531 x 1.062 x .134 HT ..
32	738-0143	4	/P	Screw, Shoulder, .498 x .340:3/8-16
33	738-0296	2	S	Screw, Shoulder, .437 x .268:5/16-18
34	738-0507B	4	S	Screw, Shoulder, .5 x .434:3/8-16
35	741-0225	6	S	Bearing, Hex Flange
36	741-3074	2		Bearing, Flange, .626 x .938 x .344
37	747-04225A	2	/P	Rod, Lapbar Control
38	747-04401A	1		Rod, Deck Front Hanger
39	747-04637	1		Rod, Deck Lift Handle
40	748-04052	2		Hub, Control
41	947-04065	2	/P	Rod, Brake
42	732-04421	1		Spring, Torsion RH - Model ZT 5000 ONLY

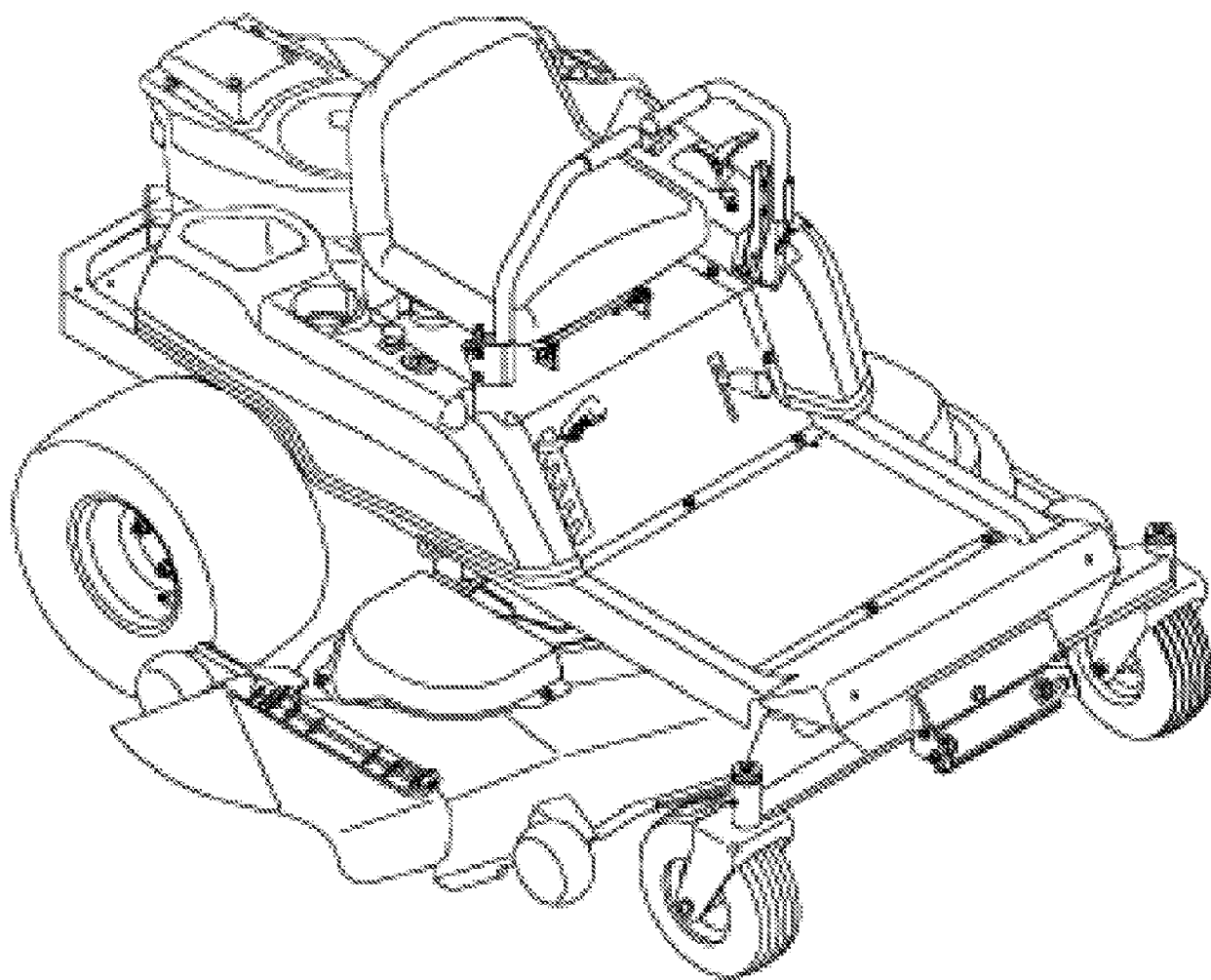




ZT-5000 (2007)  
Operator's Platform

Page 17 of 21

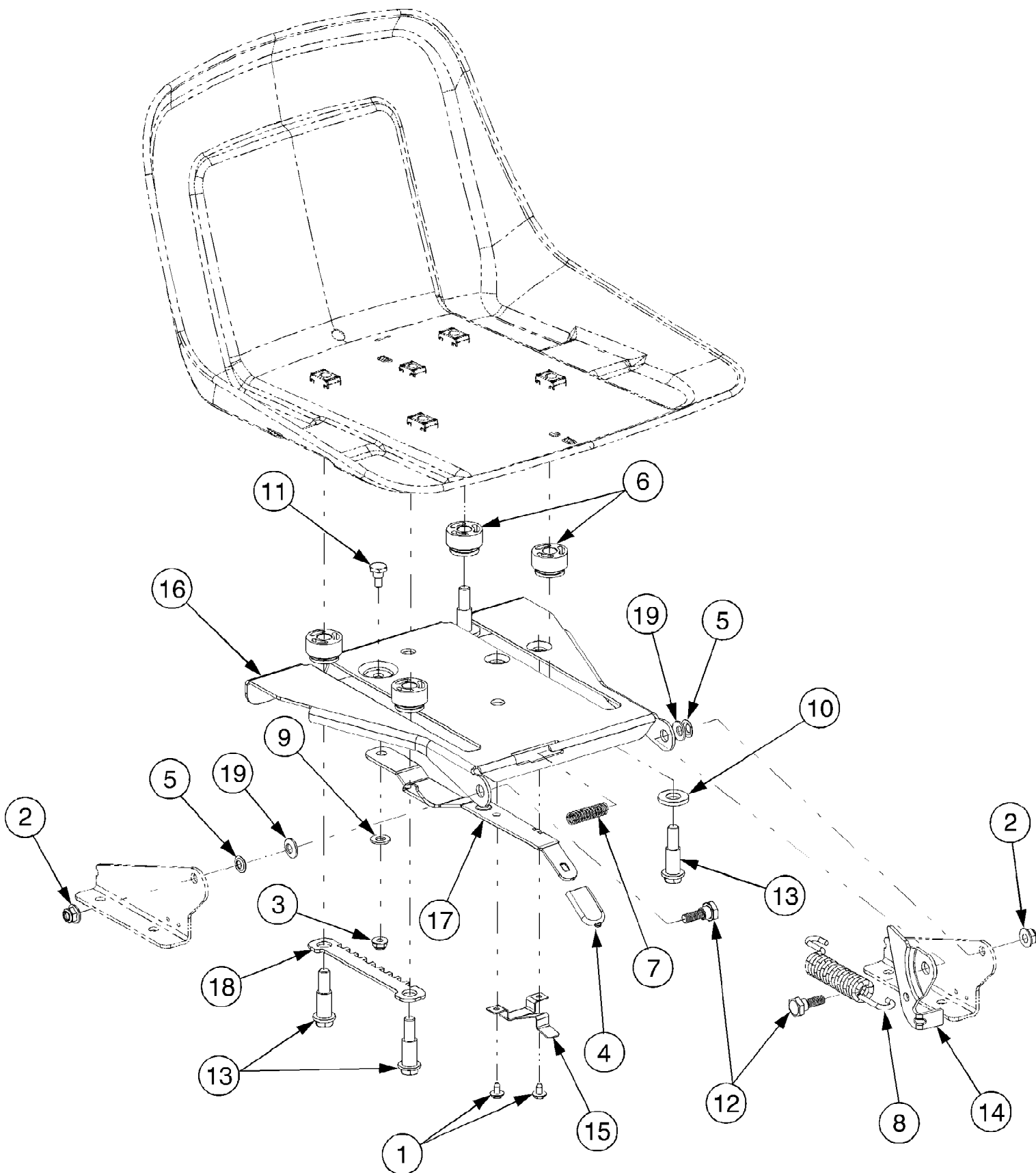
Ref #	Part Number	Qty	S/P/F	Description
1	603-04326B	1		Frame, Seat Box
1	777I22769	1		Graphic, Park Brake not shown
1	777S32354	1	S	Graphic, Warning not shown
1	777I22770	1		Graphic, Deck Height not shown
2	703-05373B	1		Bracket, Foot Rest
2	777D10796	1		Graphic, White not shown
3	703-05467	2		Bracket, Switch Mounting
4	710-04261	4		Screw, Hex Wash. Hd Tapp #12-16 x .50
5	710-0599	4	/P	Screw, Hex Wash. Hd. Tapp. 1/4-20 x .5
6	710-0604A	20	/P	Screw, Hex Wash. Hd. Tapp 5/16-18 x .625
7	710-0726	4	/P	Screw, Hex Wash. Hd. Tapp 5/16-12 x .75
8	710-0778	2	/P	Screw, Hex Wash. Hd. Tapp. 1/4-20 x 1.5
9	710-1268	2	/P	Screw, Hex Wash. Hd Tapp #10-16 x .375
10	712-0298	2	S	Nut, Hex Jam, 1/4-20 GR2
11	712-04092	2		Nut, U Type Speed, 1/4-20
12	723-04020	1		Pad, Foot
13	731-04662C	1	S	Console, LH
13	777I22752	1		Graphic, Instruction - ZT 4200 not shown
13	777I22751	1		Graphic, Instruction - ZT 5000 not shown
13	777D10793	1		Graphic, White Outdoor ZT 4200 not shown
13	777D10795	1		Graphic, White Outdoor ZT 5000 not shown
13	777I22305	1		Graphic, Throttle Control ZT 4200 not shown
13	777I22309	1		Graphic, Throttle Control ZT5000 not shown
14	731-04663B	1	S	Console, RH
14	777I22754	1		Graphic, Instruction not shown
14	777D10792	1		Graphic, White Outdoor ZT 4200 not shown
14	777D10794	1		Graphic, White Outdoor ZT 5000 not shown
15	732-04035	2		Spring, Compression, 1.28 x 3.125
16	732-04200	2	/P	Spring, Switch Actuator
17	757-04041	1		Seat
18	783-1489C	2		Bracket, Seat Pivot
19	736-0148	3		Washer, External Tooth, 3/8
20	712-04064	2	/P	Nut, Hex Insert Lock, 1/4-20 - Model ZT 5000 ONLY
21	738-0572	2	S	Screw, Shoulder, .374 x 1.16:1/4-20 -Model ZT 5000 ONLY
22	710-1260A	2	/P	Screw, Hex Wash. Hd. Tapp 5/16-18 x .75



ZT-5000 (2007)  
Quick Reference ZT-5000

Page 19 of 21

Ref #	Part Number	Qty	S/P/F	Description
	759-3336	1	/P	Spark Plug
	BS-492932S	1	/P	Oil Filter
	BS-273638S	1	/P	Pre Filter
	BS-499486S	1	/P	Air Filter
	BS-691035	1	/P	Fuel Filter
	751-3124B	1	S	Fuel Cap
	725-1426A	1	S	Solenoid
	618-04126A	1	S	Deck Spindles
	742-04053B	1	S	Blades
	712-0417A	1	/P	Blade Nut
	734-04155	1		Deck Wheels
	N/A	1		Ball Joints
	N/A	1		Wheel Bushings
	925-1745	1	S	Ignition Keys
	754-04044A	1		Deck Spindle Belt
	754-04043	1	S	Transmission Belt
	590-303-000	1		Double Bagger (2007)



ZT-5000 (2007)  
Seat Adjustment

Page 21 of 21

Ref #	Part Number	Qty	S/P/F	Description
1	710-1268	2	/P	Screw, Hx. Wash. Hd. Tapp #10-16 x .375
2	712-04063	2	/P	Nut, Hx Insert Flange Lck, 5/16-18 GrF
3	712-04064	1	/P	Nut, Hx Insert Flnge Lck, 1/4-20 GrF
4	720-0309A	1	/P	Grip, Seat Adjustment
5	726-0201	2		Nut, Speed, .3125
6	731-04074	4		Spacer, Seat Adjustment
7	732-0499	1		Spring, Compression, .41 x 1.5
8	732-1184	1	/P	Spring, Extension, .84 Dia. x 4.6
9	736-0204	1	/P	Washer, Flat, .344 x .62 x .033
10	736-3019	2		Washer, Flat, .531 x 1.062 x .134 HT
11	738-0137A	1	S	Screw, Shoulder, .34 x .285:1/4-20
12	738-0296	2	S	Screw, Shoulder, .437 x .268:5/16-18
13	738-0966A	4	/P	Screw, Shoulder, .5 x .925:3/8-16 ...
14	783-0209D	1	/P	Bracket, Seat Lift
15	783-0611	1		Stop, Seat Adjustment
16	783-0738D	1	/P	Bracket, Seat Pivot
17	783-0739A	1	S	Lever, Seat Adjustment
18	783-0753	1		Index Bracket, Seat Adjustment
19	736-0242	2	/P	Washer, Belleville, .34 x .872 x .06