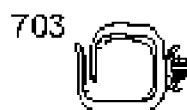
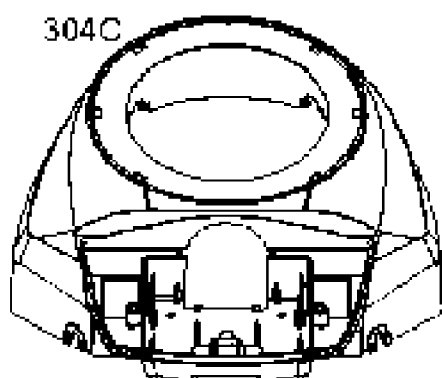
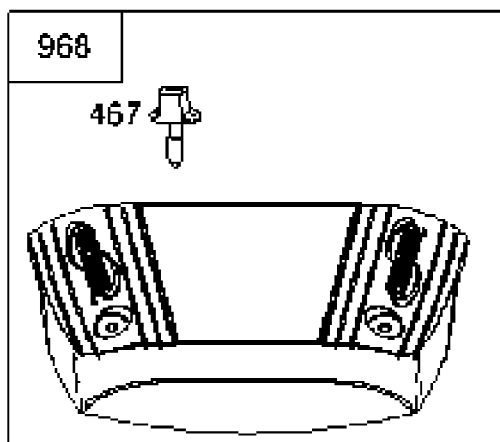


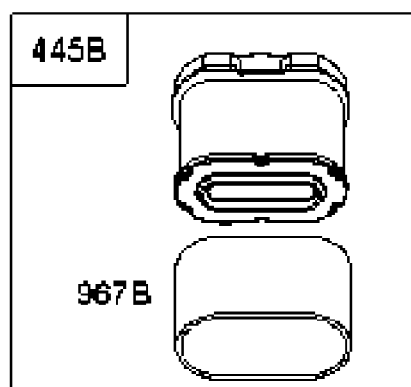
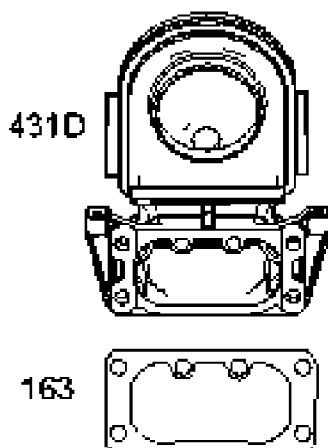
ZT-50 17AK2ACP (2008)
Electrical

Page 2 of 76

Ref #	Part Number	Qty	S/P/F	Description
1	710-0227	1	/P	Hex Washer Screw, #8-18 x .500
2	710-0653	1	/P	Hex Washer Screw, 1/4-20 x .375
3	710-3015	1	/P	Hex Screw, 1/4-20 x .75
4	712-0271	1	/P	Sems Nut, 1/4-20
5	725-04022B	1	S	Hour Meter
6	725-04165	1	S	Double Pole — Neutral Switch
7	725-04174	1	S	Electric PTO Switch
8	725-04228	1	S	Key Switch
9	725-04363	1		Interlock Switch
10	725-04439	1		Solenoid
11	725-04621A	1	S	Wire Harness
12	725-1303	1	S	Outer Seat Spring Switch
13	725-1439	1		Inner Seat Spring Switch
14	725-1737A	1	S	Battery, 195 CC Wet
15	725-1745	1	S	Key
16	726-0278	1		Insulator Boss Plate
17	726-0279	1		Insulator Plate
18	726-0470	1		Cable Tie, 19 x 8.39"
19	738-04237A	1		Shoulder Screw, #10-32 x .500



1036 EMISSIONS LABEL



ZT-50 17AK2ACP (2008)
Engine Assembly 1 P

Page 4 of 76

Ref #	Part Number	Qty	S/P/F	Description
1	BS-699753	1		Cylinder Assembly
2	BS-499585	1		Kit-Bushing/Seal (Magneto Side)
3	BS-391086S	1	/P	Seal-Oil (Magneto Side)
4	BS-699747	1	S	Sump-Engine
5	BS-792299	1		Head-Cylinder (Cylinder #1)
7	BS-693997	1	/P	Gasket-Cylinder Head
8	BS-792185	1		Breather Assembly
9	BS-690937	1		Gasket-Breather
10	BS-691108	1	/P	Screw (Breather Assembly)
11	BS-792184	1		Tube-Breather
12	BS-697227	1		Gasket-Crankcase
13	BS-791130	1		Screw (Cylinder Head)
16	BS-699700	1		Crankshaft
20	BS-791892	1		Seal-Oil (PTO Side)
22	BS-694966	1		Screw (Crankcase Cover/Sump)
23	BS-691053	1		Flywheel
24	BS-222698S	1	/P	Key-Flywheel
25	BS-792072	1		Piston Assembly (.020 Oversize)
25	BS-792023	1	/P	Piston Assembly (Standard)
26	BS-792026	1		Ring Set (Standard)
26	BS-792073	1		Ring Set (.020 Oversize)
27	BS-690975	1		Lock-Piston Pin
28	BS-690229	1		Pin-Piston (Standard)
29	BS-699699	1		Rod-Connecting (Standard)
32	BS-690976	1		Screw (Connecting Rod)
33	BS-697576	1		Valve-Exhaust
34	BS-792200	1	/P	Valve-Intake
35	BS-694865	1		Spring-Valve (Intake)
36	BS-694865	1		Spring-Valve (Exhaust)
42	BS-499586	1		Keeper-Valve
45	BS-690977	1	/P	Tappet-Valve
46	BS-790562	1	/P	Camshaft
53	BS-690951	1		Stud (Carburetor)
54	BS-699816	1		Screw (Intake Manifold)
73	BS-494439	1		Screen-Rotating
74	BS-698425	1		Screw (Rotating Screen)
75	BS-691056	1		Washer (Flywheel)
95	BS-690718	1		Screw (Throttle Valve)
98	BS-699721	1		Kit-Idle Speed
104	BS-694918	1		Pin-Float Hinge
105	BS-698537	1		Valve-Float Needle
108	BS-699723	1		Valve-Choke
117	BS-792296	1		Jet-Main (Standard) (Left)(Nikki)
118	BS-699457	1		Jet-Main (High Altitude) (Left)(Nikki)
121	BS-792455	1	S	Kit-Carb Overhaul
125	BS-792295	1		Carburetor
130	BS-690993	1		Valve-Throttle
131	BS-499805	1		Kit-Throttle Shaft
133	BS-699724	1		Float-Carburetor
135	BS-699729	1		Tube-Fuel Transfer
137	BS-690994	1		Gasket-Float Bowl
141	BS-699722	1		Kit-Choke Shaft
142	BS-699726	1		Carburetor (Standard)

ZT-50 17AK2ACP (2008)
Engine Assembly 1 P

Page 5 of 76

Ref #	Part Number	Qty	S/P/F	Description
146	BS-690979	1	/P	Key-Timing
150	BS-690995	1		Gasket-Nozzle
163	BS-691001	1		Gasket-Air Cleaner
165	BS-693148	1		Nut (Ring Gear)
188	BS-691108	1	/P	Screw (Control Bracket)
192	BS-690083	1		Adjuster-Rocker Arm
209	BS-698071	1		Spring-Governor (White) Used Before Code Date 06081500
209	BS-793340	1		Spring-Governor Used After Code Date 06081400
211	BS-691019	1		Spring-Governed Idle
212	BS-695238	1		Link-Throttle
213	BS-691021	1		Bracket-Choke Control
216	BS-691022	1		Link-Choke
219	BS-698231	1		Gear-Governor Used Before Code Date 06081500
219	BS-793338	1		Gear-Governor Used After Code Date 06081400
220	BS-690412	1		Washer (Governor Gear)
222	BS-698761	1		Bracket-Control
227	BS-792492	1		Lever-Governor Control
231	BS-690718	1		Screw (Choke Valve)
239	BS-792028	1		Switch-Oil Pressure
240	BS-695666	1	S	Filter-Fuel
250	BS-690957	1		Retainer-Breather
252	BS-794389	1		Collector-Oil
265	BS-691024	1	/P	Clamp-Casing
268	BS-691025	1		Casing-Control Wire (Cut To Required Length)
269	BS-691026	1		Wire-Control (Cut To Required Length)
270	BS-691027	1		Nut (Control Wire Casing)
271	BS-691028	1		Lever-Control
276	BS-695410	1		Washer-Sealing
278	BS-792651	1		Washer (Governor Control Lever)
287	BS-691108	1	/P	Screw (Dipstick Tube)
300	BS-696226	1		Muffler
305	BS-691005	1		Screw (Blower Housing)
309	BS-499521	1		Motor-Starter
310	BS-691263	1		Screw (Starter Motor)
311	BS-497608	1		Brush Set
332	BS-691059	1		Nut (Flywheel)
333	BS-691060	1		Armature-Magneto
334	BS-691061	1		Screw (Magneto Armature)
337	759-3336	1	/P	Plug-Spark
363	BS-19203	1		Puller-Flywheel
383	BS-19374S	1		Wrench-Spark Plug
385	BS-691108	1	/P	Screw (Fuel Pump)
387	BS-808656	1	/P	Pump-Fuel
404	BS-690442	1		Washer (Governor Crank)
415	BS-690283	1		Plug

ZT-50 17AK2ACP (2008)
Engine Assembly 1 P

Page 6 of 76

Ref #	Part Number	Qty	S/P/F	Description
418	BS-690999	1		Plate-Carburetor Cover
447	BS-691003	1		Screw (Air Guide Cover)
467	BS-790697	1		Knob-Air Cleaner (1" Long)
505	BS-691029	1		Nut (Governor Control Lever)
510	BS-696541	1		Drive-Starter
513	BS-692024	1		Clutch-Drive
523	BS-691036	1		Dipstick
524	BS-691032	1		Seal-Dipstick Tube
525	BS-691037	1		Tube-Dipstick
544	N/A	1		Armature-Starter (Service with 497595 Starter Motor)
552	BS-690552	1		Bushing-Governor Crank
562	BS-690311	1		Bolt (Governor Control Lever)
573	BS-790444	1		Plate-Back
579	BS-691029	1		Nut (Starter Cable)
601	BS-691038	1		Clamp-Hose (Green)
613	BS-690341	1		Screw (Muffler)
615	BS-698290	1		Retainer-Governor Shaft
616	BS-691045	1		Crank-Governor
617	BS-697891	1		Seal-O Ring (Intake Manifold)
628	BS-691108	1	/P	Screw (Fuel Pump Bracket) Used Before Code Date 06072800
633	BS-690998	1		Seal-Choke/Thr Shaft
635	BS-66538S	1	/P	Boot-Spark Plug
654	BS-690958	1	/P	Nut (Carburetor)
668	BS-691500	1	/P	Spacer
672	BS-690234	1		Gasket-Carburetor Plate
691	BS-790574	1		Seal-Governor Shaft
695	BS-693149	1		Screw (Ring Gear)
697	BS-690372	1		Screw (Drive Cap)
703	BS-691010	1		Clip
718	BS-690959	1	/P	Pin-Locating
726	BS-499612	1		Gear-Ring
729	BS-694123	1		Clip-Wire
741	BS-690980	1		Gear-Timing
742	BS-690328	1		Retainer-E Ring
750	BS-696999	1		Screw (Oil Pump Cover)
783	BS-695708	1		Gear-Pinion
788	BS-691039	1		Bracket-Fuel Pump Used Before Code Date 06072800
797	BS-693167	1		Nut (Brush Retainer)
798	BS-697890	1		Screw (Rocker Arm)
801	BS-691283	1		Cap-Drive
802	BS-691286	1		Cap-End
803	N/A	1		Housing-Starter (Service with 497595 Starter Motor)
842	BS-691031	1	/P	Seal-O Ring (Dipstick Tube)
847	BS-499602	1		Dipstick/Tube Assembly
851	BS-493880S	1	/P	Terminal-Spark Plug
865	BS-691012	1		Cover-Air Guide (Cylinder #1)
868	BS-690968	1		Seal-Valve

ZT-50 17AK2ACP (2008)
Engine Assembly 1 P

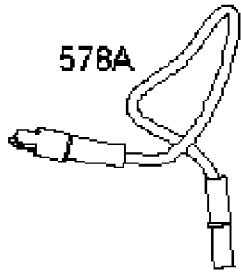
Page 7 of 76





Ref #	Part Number	Qty	S/P/F	Description
883	BS-690970	1		Gasket-Exhaust
914	BS-691127	1	/P	Screw (Rocker Cover)
918	BS-694000	1		Hose-Vacuum Used Before Code Date 06072800
918	BS-793147	1		Hose-Vacuum Used After Code Date 06072700
929	BS-695239	1		Screw (Choke Control Bracket)
943	BS-690589	1		Seal-O Ring (Oil Pump Cover)
947	BS-841546	1		Solenoid-Fuel
965	BS-499613	1		Cover-Oil Pump
968	BS-795120	1	/P	Cover-Air Cleaner
975	BS-791232	1		Bowl-Float
987	BS-691000	1		Seal-Throttle Shaft
1005	BS-791236	1		Fan-Flywheel
1013	BS-690954	1		Nipple-Oil Filter
1017	BS-690770	1		Screen-Oil Pump
1022	BS-690971	1	/P	Gasket-Rocker Cover
1023	BS-499599	1		Cover-Rocker (Cylinder #1) Used Before Code Date 06072800
1023	BS-793146	1		Cover-Rocker (Cylinder #1) Used After Code Date 06072700
1024	BS-499054	1		Pump-Oil Used Before Code Date 07022600
1026	BS-690981	1		Rod-Push (Steel)
1027	BS-696854	1	/P	Filter-Oil
1029	BS-690972	1		Arm-Rocker
1035	BS-691042	1		Shaft-Pump Used Before Code Date 07022600
1036		1		Label-Emissions
1040	BS-791237	1		Plate-Trim
1051	BS-691265	1		Ring-Retaining
1054	BS-280275	1		Tie-Cable
1059	BS-698516	1		Kit-Screw/Washer
1070	BS-691058	1		Screw (Flywheel Fan)
1090	BS-691293	1		Retainer-Brush
1095	BS-694013	1		Gasket Set-Valve
1100	BS-791959	1		Pivot-Rocker Arm
1119	BS-691183	1	S	Screw (Alternator)
1123	BS-841653	1		Seal-O Ring (Solenoid Retainer)
1124	BS-690988	1		Seal-O Ring (Fuel Transfer Tube)
1126	BS-690991	1		Screw (Fuel Transfer Tube)
1127	BS-695407	1		Screw (Float Bowl to Carburetor Body)
1128	BS-690990	1		Screw (Carburetor Nozzle)
1319	BS-794467	1		Label-Warning
1023A	BS-499600	1		Cover-Rocker (Cylinder #2)
1024A	BS-794416	1		Pump-Oil Used After Code Date 07022500
1026A	BS-690982	1		Rod-Push (Aluminum)
117A	BS-842627	1		Jet-Main (Standard) (Right)(Nikki)
118A	BS-699733	1		Jet-Main (High Altitude) (Right)(Nikki)
15A	BS-690946	1	/P	Plug-Oil Drain

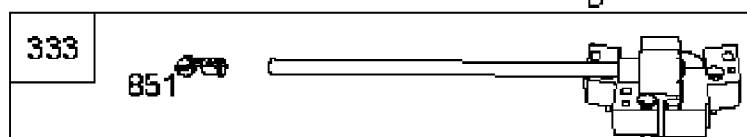
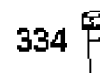
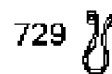
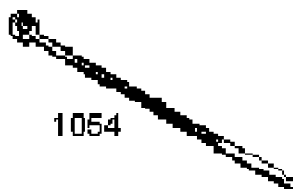
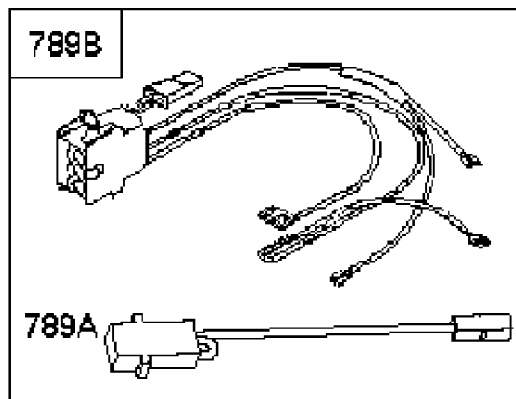
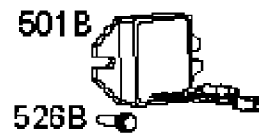
ZT-50 17AK2ACP (2008)
Engine Assembly 1 P

Page 8 of 76

Ref #	Part Number	Qty	S/P/F	Description
187A	BS-791766	1	S	Line-Fuel (15" Long)(Cut To Required Length)
187E	BS-791801	1		Line-Fuel (Molded)
267A	BS-695134	1		Screw (Casing Clamp)
304C	BS-792301	1		Housing-Blower (Black)
305B	BS-790690	1		Screw (Blower Housing) (Blower Housing To Intake Elbow)
358A	BS-694012	1		Gasket Set-Engine
405A	BS-697820	1		Screw (Back Plate)
431D	BS-792297	1		Elbow-Intake
445B	BS-792105	1	/P	Filter-Air Cleaner Cartridge
447A	BS-691108	1	/P	Screw (Air Guide Cover)
474A	BS-696457	1	/P	Alternator (Tri Circuit)
474B	BS-696458	1	/P	Alternator (10-16 Amp Regulated)
474C	BS-696459	1	/P	Alternator (Dual Circuit)
501A	BS-691188	1	S	Regulator
501B	BS-691185	1	S	Regulator
50A	BS-695241	1		Manifold-Intake
51A	BS-791677	1		Gasket-Intake
526A	BS-691129	1		Screw (Regulator)
526B	BS-691108	1	/P	Screw (Regulator)
552A	BS-690553	1		Bushing-Governor Crank
578A	BS-691208	1		Wire Assembly
5A	BS-792300	1	S	Head-Cylinder (Cylinder #2)
613A	BS-690297	1		Screw (Muffler)
788A	BS-793145	1		Bracket-Fuel Pump Used After Code Date 06072700
789A	BS-790544	1		Harness-Wiring
789B	BS-698330	1		Harness-Wiring
865A	BS-793205	1		Cover-Air Guide (Cylinder #2)
865B	BS-792286	1		Cover-Air Guide (Valley)
877B	BS-399916	1		Wire/Connector-Alternator
967B	BS-792303	1	/P	Filter-Pre Cleaner



TRI CIRCUIT		10 - 16 AMP	
474A	1059	474B	1059
			
			



ZT-50 17AK2ACP (2008)
Engine Assembly 2 P

Page 10 of 76

Ref #	Part Number	Qty	S/P/F	Description
1	BS-699753	1		Cylinder Assembly
2	BS-499585	1		Kit-Bushing/Seal (Magneto Side)
3	BS-391086S	1	/P	Seal-Oil (Magneto Side)
4	BS-699747	1	S	Sump-Engine
5	BS-792299	1		Head-Cylinder (Cylinder #1)
7	BS-693997	1	/P	Gasket-Cylinder Head
8	BS-792185	1		Breather Assembly
9	BS-690937	1		Gasket-Breather
10	BS-691108	1	/P	Screw (Breather Assembly)
11	BS-792184	1		Tube-Breather
12	BS-697227	1		Gasket-Crankcase
13	BS-791130	1		Screw (Cylinder Head)
16	BS-699700	1		Crankshaft
20	BS-791892	1		Seal-Oil (PTO Side)
22	BS-694966	1		Screw (Crankcase Cover/Sump)
23	BS-691053	1		Flywheel
24	BS-222698S	1	/P	Key-Flywheel
25	BS-792072	1		Piston Assembly (.020 Oversize)
25	BS-792023	1	/P	Piston Assembly (Standard)
26	BS-792026	1		Ring Set (Standard)
26	BS-792073	1		Ring Set (.020 Oversize)
27	BS-690975	1		Lock-Piston Pin
28	BS-690229	1		Pin-Piston (Standard)
29	BS-699699	1		Rod-Connecting (Standard)
32	BS-690976	1		Screw (Connecting Rod)
33	BS-697576	1		Valve-Exhaust
34	BS-792200	1	/P	Valve-Intake
35	BS-694865	1		Spring-Valve (Intake)
36	BS-694865	1		Spring-Valve (Exhaust)
42	BS-499586	1		Keeper-Valve
45	BS-690977	1	/P	Tappet-Valve
46	BS-790562	1	/P	Camshaft
53	BS-690951	1		Stud (Carburetor)
54	BS-699816	1		Screw (Intake Manifold)
73	BS-494439	1		Screen-Rotating
74	BS-698425	1		Screw (Rotating Screen)
75	BS-691056	1		Washer (Flywheel)
95	BS-690718	1		Screw (Throttle Valve)
98	BS-699721	1		Kit-Idle Speed
104	BS-694918	1		Pin-Float Hinge
105	BS-698537	1		Valve-Float Needle
108	BS-699723	1		Valve-Choke
117	BS-792296	1		Jet-Main (Standard) (Left)(Nikki)
118	BS-699457	1		Jet-Main (High Altitude) (Left)(Nikki)
121	BS-792455	1	S	Kit-Carb Overhaul
125	BS-792295	1		Carburetor
130	BS-690993	1		Valve-Throttle
131	BS-499805	1		Kit-Throttle Shaft
133	BS-699724	1		Float-Carburetor
135	BS-699729	1		Tube-Fuel Transfer
137	BS-690994	1		Gasket-Float Bowl
141	BS-699722	1		Kit-Choke Shaft
142	BS-699726	1		Carburetor (Standard)

ZT-50 17AK2ACP (2008)
Engine Assembly 2 P

Page 11 of 76

Ref #	Part Number	Qty	S/P/F	Description
146	BS-690979	1	/P	Key-Timing
150	BS-690995	1		Gasket-Nozzle
163	BS-691001	1		Gasket-Air Cleaner
165	BS-693148	1		Nut (Ring Gear)
188	BS-691108	1	/P	Screw (Control Bracket)
192	BS-690083	1		Adjuster-Rocker Arm
209	BS-698071	1		Spring-Governor (White) Used Before Code Date 06081500
209	BS-793340	1		Spring-Governor Used After Code Date 06081400
211	BS-691019	1		Spring-Governed Idle
212	BS-695238	1		Link-Throttle
213	BS-691021	1		Bracket-Choke Control
216	BS-691022	1		Link-Choke
219	BS-698231	1		Gear-Governor Used Before Code Date 06081500
219	BS-793338	1		Gear-Governor Used After Code Date 06081400
220	BS-690412	1		Washer (Governor Gear)
222	BS-698761	1		Bracket-Control
227	BS-792492	1		Lever-Governor Control
231	BS-690718	1		Screw (Choke Valve)
239	BS-792028	1		Switch-Oil Pressure
240	BS-695666	1	S	Filter-Fuel
250	BS-690957	1		Retainer-Breather
252	BS-794389	1		Collector-Oil
265	BS-691024	1	/P	Clamp-Casing
268	BS-691025	1		Casing-Control Wire (Cut To Required Length)
269	BS-691026	1		Wire-Control (Cut To Required Length)
270	BS-691027	1		Nut (Control Wire Casing)
271	BS-691028	1		Lever-Control
276	BS-695410	1		Washer-Sealing
278	BS-792651	1		Washer (Governor Control Lever)
287	BS-691108	1	/P	Screw (Dipstick Tube)
300	BS-696226	1		Muffler
305	BS-691005	1		Screw (Blower Housing)
309	BS-499521	1		Motor-Starter
310	BS-691263	1		Screw (Starter Motor)
311	BS-497608	1		Brush Set
332	BS-691059	1		Nut (Flywheel)
333	BS-691060	1		Armature-Magneto
334	BS-691061	1		Screw (Magneto Armature)
337	759-3336	1	/P	Plug-Spark
363	BS-19203	1		Puller-Flywheel
383	BS-19374S	1		Wrench-Spark Plug
385	BS-691108	1	/P	Screw (Fuel Pump)
387	BS-808656	1	/P	Pump-Fuel
404	BS-690442	1		Washer (Governor Crank)
415	BS-690283	1		Plug

ZT-50 17AK2ACP (2008)
Engine Assembly 2 P

Page 12 of 76

Ref #	Part Number	Qty	S/P/F	Description
418	BS-690999	1		Plate-Carburetor Cover
447	BS-691003	1		Screw (Air Guide Cover)
467	BS-790697	1		Knob-Air Cleaner (1" Long)
505	BS-691029	1		Nut (Governor Control Lever)
510	BS-696541	1		Drive-Starter
513	BS-692024	1		Clutch-Drive
523	BS-691036	1		Dipstick
524	BS-691032	1		Seal-Dipstick Tube
525	BS-691037	1		Tube-Dipstick
544	N/A	1		Armature-Starter (Service with 497595 Starter Motor)
552	BS-690552	1		Bushing-Governor Crank
562	BS-690311	1		Bolt (Governor Control Lever)
573	BS-790444	1		Plate-Back
579	BS-691029	1		Nut (Starter Cable)
601	BS-691038	1		Clamp-Hose (Green)
613	BS-690341	1		Screw (Muffler)
615	BS-698290	1		Retainer-Governor Shaft
616	BS-691045	1		Crank-Governor
617	BS-697891	1		Seal-O Ring (Intake Manifold)
628	BS-691108	1	/P	Screw (Fuel Pump Bracket) Used Before Code Date 06072800
633	BS-690998	1		Seal-Choke/Thr Shaft
635	BS-66538S	1	/P	Boot-Spark Plug
654	BS-690958	1	/P	Nut (Carburetor)
668	BS-691500	1	/P	Spacer
672	BS-690234	1		Gasket-Carburetor Plate
691	BS-790574	1		Seal-Governor Shaft
695	BS-693149	1		Screw (Ring Gear)
697	BS-690372	1		Screw (Drive Cap)
703	BS-691010	1		Clip
718	BS-690959	1	/P	Pin-Locating
726	BS-499612	1		Gear-Ring
729	BS-694123	1		Clip-Wire
741	BS-690980	1		Gear-Timing
742	BS-690328	1		Retainer-E Ring
750	BS-696999	1		Screw (Oil Pump Cover)
783	BS-695708	1		Gear-Pinion
788	BS-691039	1		Bracket-Fuel Pump Used Before Code Date 06072800
797	BS-693167	1		Nut (Brush Retainer)
798	BS-697890	1		Screw (Rocker Arm)
801	BS-691283	1		Cap-Drive
802	BS-691286	1		Cap-End
803	N/A	1		Housing-Starter (Service with 497595 Starter Motor)
842	BS-691031	1	/P	Seal-O Ring (Dipstick Tube)
847	BS-499602	1		Dipstick/Tube Assembly
851	BS-493880S	1	/P	Terminal-Spark Plug
865	BS-691012	1		Cover-Air Guide (Cylinder #1)
868	BS-690968	1		Seal-Valve

ZT-50 17AK2ACP (2008)
Engine Assembly 2 P

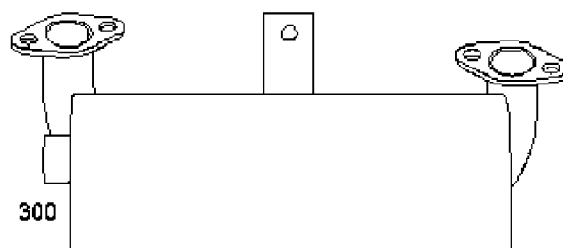
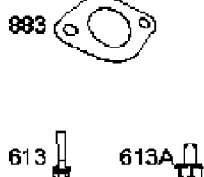
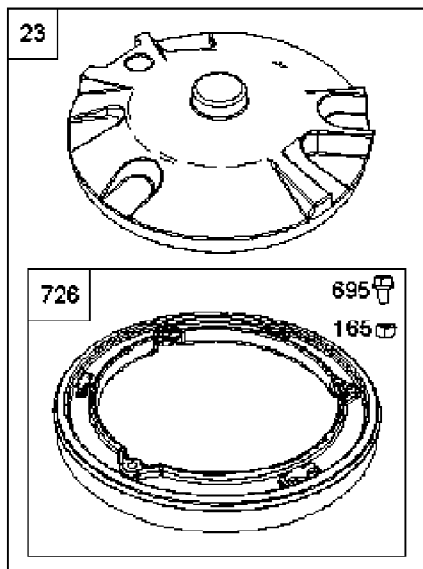
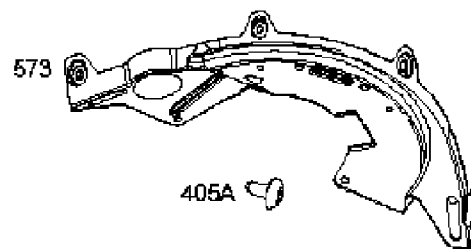
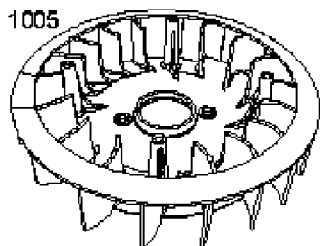
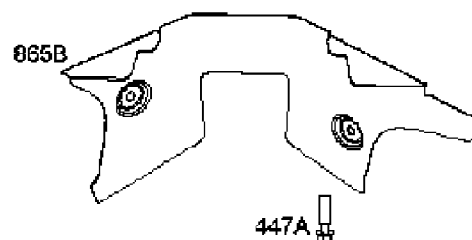
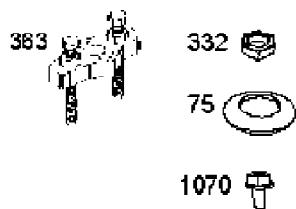
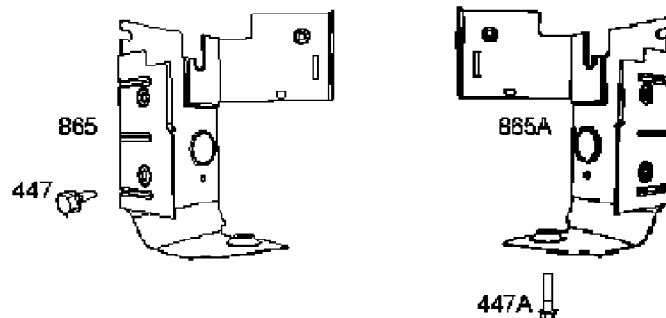
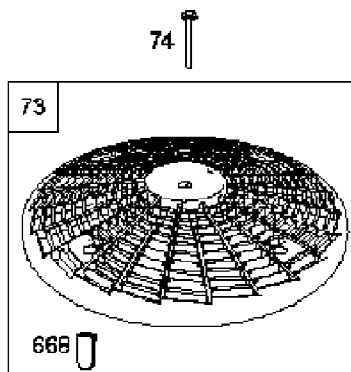
Page 13 of 76

Ref #	Part Number	Qty	S/P/F	Description
883	BS-690970	1		Gasket-Exhaust
914	BS-691127	1	/P	Screw (Rocker Cover)
918	BS-694000	1		Hose-Vacuum Used Before Code Date 06072800
918	BS-793147	1		Hose-Vacuum Used After Code Date 06072700
929	BS-695239	1		Screw (Choke Control Bracket)
943	BS-690589	1		Seal-O Ring (Oil Pump Cover)
947	BS-841546	1		Solenoid-Fuel
965	BS-499613	1		Cover-Oil Pump
968	BS-795120	1	/P	Cover-Air Cleaner
975	BS-791232	1		Bowl-Float
987	BS-691000	1		Seal-Throttle Shaft
1005	BS-791236	1		Fan-Flywheel
1013	BS-690954	1		Nipple-Oil Filter
1017	BS-690770	1		Screen-Oil Pump
1022	BS-690971	1	/P	Gasket-Rocker Cover
1023	BS-499599	1		Cover-Rocker (Cylinder #1) Used Before Code Date 06072800
1023	BS-793146	1		Cover-Rocker (Cylinder #1) Used After Code Date 06072700
1024	BS-499054	1		Pump-Oil Used Before Code Date 07022600
1026	BS-690981	1		Rod-Push (Steel)
1027	BS-696854	1	/P	Filter-Oil
1029	BS-690972	1		Arm-Rocker
1035	BS-691042	1		Shaft-Pump Used Before Code Date 07022600
1036		1		Label-Emissions
1040	BS-791237	1		Plate-Trim
1051	BS-691265	1		Ring-Retaining
1054	BS-280275	1		Tie-Cable
1059	BS-698516	1		Kit-Screw/Washer
1070	BS-691058	1		Screw (Flywheel Fan)
1090	BS-691293	1		Retainer-Brush
1095	BS-694013	1		Gasket Set-Valve
1100	BS-791959	1		Pivot-Rocker Arm
1119	BS-691183	1	S	Screw (Alternator)
1123	BS-841653	1		Seal-O Ring (Solenoid Retainer)
1124	BS-690988	1		Seal-O Ring (Fuel Transfer Tube)
1126	BS-690991	1		Screw (Fuel Transfer Tube)
1127	BS-695407	1		Screw (Float Bowl to Carburetor Body)
1128	BS-690990	1		Screw (Carburetor Nozzle)
1319	BS-794467	1		Label-Warning
1023A	BS-499600	1		Cover-Rocker (Cylinder #2)
1024A	BS-794416	1		Pump-Oil Used After Code Date 07022500
1026A	BS-690982	1		Rod-Push (Aluminum)
117A	BS-842627	1		Jet-Main (Standard) (Right)(Nikki)
118A	BS-699733	1		Jet-Main (High Altitude) (Right)(Nikki)
15A	BS-690946	1	/P	Plug-Oil Drain

ZT-50 17AK2ACP (2008)
Engine Assembly 2 P

Page 14 of 76

Ref #	Part Number	Qty	S/P/F	Description
187A	BS-791766	1	S	Line-Fuel (15" Long)(Cut To Required Length)
187E	BS-791801	1		Line-Fuel (Molded)
267A	BS-695134	1		Screw (Casing Clamp)
304C	BS-792301	1		Housing-Blower (Black)
305B	BS-790690	1		Screw (Blower Housing) (Blower Housing To Intake Elbow)
358A	BS-694012	1		Gasket Set-Engine
405A	BS-697820	1		Screw (Back Plate)
431D	BS-792297	1		Elbow-Intake
445B	BS-792105	1	/P	Filter-Air Cleaner Cartridge
447A	BS-691108	1	/P	Screw (Air Guide Cover)
474A	BS-696457	1	/P	Alternator (Tri Circuit)
474B	BS-696458	1	/P	Alternator (10-16 Amp Regulated)
474C	BS-696459	1	/P	Alternator (Dual Circuit)
501A	BS-691188	1	S	Regulator
501B	BS-691185	1	S	Regulator
50A	BS-695241	1		Manifold-Intake
51A	BS-791677	1		Gasket-Intake
526A	BS-691129	1		Screw (Regulator)
526B	BS-691108	1	/P	Screw (Regulator)
552A	BS-690553	1		Bushing-Governor Crank
578A	BS-691208	1		Wire Assembly
5A	BS-792300	1	S	Head-Cylinder (Cylinder #2)
613A	BS-690297	1		Screw (Muffler)
788A	BS-793145	1		Bracket-Fuel Pump Used After Code Date 06072700
789A	BS-790544	1		Harness-Wiring
789B	BS-698330	1		Harness-Wiring
865A	BS-793205	1		Cover-Air Guide (Cylinder #2)
865B	BS-792286	1		Cover-Air Guide (Valley)
877B	BS-399916	1		Wire/Connector-Alternator
967B	BS-792303	1	/P	Filter-Pre Cleaner



ZT-50 17AK2ACP (2008)
Engine Assembly 3 P

Page 16 of 76

Ref #	Part Number	Qty	S/P/F	Description
1	BS-699753	1		Cylinder Assembly
2	BS-499585	1		Kit-Bushing/Seal (Magneto Side)
3	BS-391086S	1	/P	Seal-Oil (Magneto Side)
4	BS-699747	1	S	Sump-Engine
5	BS-792299	1		Head-Cylinder (Cylinder #1)
7	BS-693997	1	/P	Gasket-Cylinder Head
8	BS-792185	1		Breather Assembly
9	BS-690937	1		Gasket-Breather
10	BS-691108	1	/P	Screw (Breather Assembly)
11	BS-792184	1		Tube-Breather
12	BS-697227	1		Gasket-Crankcase
13	BS-791130	1		Screw (Cylinder Head)
16	BS-699700	1		Crankshaft
20	BS-791892	1		Seal-Oil (PTO Side)
22	BS-694966	1		Screw (Crankcase Cover/Sump)
23	BS-691053	1		Flywheel
24	BS-222698S	1	/P	Key-Flywheel
25	BS-792072	1		Piston Assembly (.020 Oversize)
25	BS-792023	1	/P	Piston Assembly (Standard)
26	BS-792026	1		Ring Set (Standard)
26	BS-792073	1		Ring Set (.020 Oversize)
27	BS-690975	1		Lock-Piston Pin
28	BS-690229	1		Pin-Piston (Standard)
29	BS-699699	1		Rod-Connecting (Standard)
32	BS-690976	1		Screw (Connecting Rod)
33	BS-697576	1		Valve-Exhaust
34	BS-792200	1	/P	Valve-Intake
35	BS-694865	1		Spring-Valve (Intake)
36	BS-694865	1		Spring-Valve (Exhaust)
42	BS-499586	1		Keeper-Valve
45	BS-690977	1	/P	Tappet-Valve
46	BS-790562	1	/P	Camshaft
53	BS-690951	1		Stud (Carburetor)
54	BS-699816	1		Screw (Intake Manifold)
73	BS-494439	1		Screen-Rotating
74	BS-698425	1		Screw (Rotating Screen)
75	BS-691056	1		Washer (Flywheel)
95	BS-690718	1		Screw (Throttle Valve)
98	BS-699721	1		Kit-Idle Speed
104	BS-694918	1		Pin-Float Hinge
105	BS-698537	1		Valve-Float Needle
108	BS-699723	1		Valve-Choke
117	BS-792296	1		Jet-Main (Standard) (Left)(Nikki)
118	BS-699457	1		Jet-Main (High Altitude) (Left)(Nikki)
121	BS-792455	1	S	Kit-Carb Overhaul
125	BS-792295	1		Carburetor
130	BS-690993	1		Valve-Throttle
131	BS-499805	1		Kit-Throttle Shaft
133	BS-699724	1		Float-Carburetor
135	BS-699729	1		Tube-Fuel Transfer
137	BS-690994	1		Gasket-Float Bowl
141	BS-699722	1		Kit-Choke Shaft
142	BS-699726	1		Carburetor (Standard)

ZT-50 17AK2ACP (2008)
Engine Assembly 3 P

Page 17 of 76

Ref #	Part Number	Qty	S/P/F	Description
146	BS-690979	1	/P	Key-Timing
150	BS-690995	1		Gasket-Nozzle
163	BS-691001	1		Gasket-Air Cleaner
165	BS-693148	1		Nut (Ring Gear)
188	BS-691108	1	/P	Screw (Control Bracket)
192	BS-690083	1		Adjuster-Rocker Arm
209	BS-698071	1		Spring-Governor (White) Used Before Code Date 06081500
209	BS-793340	1		Spring-Governor Used After Code Date 06081400
211	BS-691019	1		Spring-Governed Idle
212	BS-695238	1		Link-Throttle
213	BS-691021	1		Bracket-Choke Control
216	BS-691022	1		Link-Choke
219	BS-698231	1		Gear-Governor Used Before Code Date 06081500
219	BS-793338	1		Gear-Governor Used After Code Date 06081400
220	BS-690412	1		Washer (Governor Gear)
222	BS-698761	1		Bracket-Control
227	BS-792492	1		Lever-Governor Control
231	BS-690718	1		Screw (Choke Valve)
239	BS-792028	1		Switch-Oil Pressure
240	BS-695666	1	S	Filter-Fuel
250	BS-690957	1		Retainer-Breather
252	BS-794389	1		Collector-Oil
265	BS-691024	1	/P	Clamp-Casing
268	BS-691025	1		Casing-Control Wire (Cut To Required Length)
269	BS-691026	1		Wire-Control (Cut To Required Length)
270	BS-691027	1		Nut (Control Wire Casing)
271	BS-691028	1		Lever-Control
276	BS-695410	1		Washer-Sealing
278	BS-792651	1		Washer (Governor Control Lever)
287	BS-691108	1	/P	Screw (Dipstick Tube)
300	BS-696226	1		Muffler
305	BS-691005	1		Screw (Blower Housing)
309	BS-499521	1		Motor-Starter
310	BS-691263	1		Screw (Starter Motor)
311	BS-497608	1		Brush Set
332	BS-691059	1		Nut (Flywheel)
333	BS-691060	1		Armature-Magneto
334	BS-691061	1		Screw (Magneto Armature)
337	759-3336	1	/P	Plug-Spark
363	BS-19203	1		Puller-Flywheel
383	BS-19374S	1		Wrench-Spark Plug
385	BS-691108	1	/P	Screw (Fuel Pump)
387	BS-808656	1	/P	Pump-Fuel
404	BS-690442	1		Washer (Governor Crank)
415	BS-690283	1		Plug

ZT-50 17AK2ACP (2008)
Engine Assembly 3 P

Page 18 of 76

Ref #	Part Number	Qty	S/P/F	Description
418	BS-690999	1		Plate-Carburetor Cover
447	BS-691003	1		Screw (Air Guide Cover)
467	BS-790697	1		Knob-Air Cleaner (1" Long)
505	BS-691029	1		Nut (Governor Control Lever)
510	BS-696541	1		Drive-Starter
513	BS-692024	1		Clutch-Drive
523	BS-691036	1		Dipstick
524	BS-691032	1		Seal-Dipstick Tube
525	BS-691037	1		Tube-Dipstick
544	N/A	1		Armature-Starter (Service with 497595 Starter Motor)
552	BS-690552	1		Bushing-Governor Crank
562	BS-690311	1		Bolt (Governor Control Lever)
573	BS-790444	1		Plate-Back
579	BS-691029	1		Nut (Starter Cable)
601	BS-691038	1		Clamp-Hose (Green)
613	BS-690341	1		Screw (Muffler)
615	BS-698290	1		Retainer-Governor Shaft
616	BS-691045	1		Crank-Governor
617	BS-697891	1		Seal-O Ring (Intake Manifold)
628	BS-691108	1	/P	Screw (Fuel Pump Bracket) Used Before Code Date 06072800
633	BS-690998	1		Seal-Choke/Thr Shaft
635	BS-66538S	1	/P	Boot-Spark Plug
654	BS-690958	1	/P	Nut (Carburetor)
668	BS-691500	1	/P	Spacer
672	BS-690234	1		Gasket-Carburetor Plate
691	BS-790574	1		Seal-Governor Shaft
695	BS-693149	1		Screw (Ring Gear)
697	BS-690372	1		Screw (Drive Cap)
703	BS-691010	1		Clip
718	BS-690959	1	/P	Pin-Locating
726	BS-499612	1		Gear-Ring
729	BS-694123	1		Clip-Wire
741	BS-690980	1		Gear-Timing
742	BS-690328	1		Retainer-E Ring
750	BS-696999	1		Screw (Oil Pump Cover)
783	BS-695708	1		Gear-Pinion
788	BS-691039	1		Bracket-Fuel Pump Used Before Code Date 06072800
797	BS-693167	1		Nut (Brush Retainer)
798	BS-697890	1		Screw (Rocker Arm)
801	BS-691283	1		Cap-Drive
802	BS-691286	1		Cap-End
803	N/A	1		Housing-Starter (Service with 497595 Starter Motor)
842	BS-691031	1	/P	Seal-O Ring (Dipstick Tube)
847	BS-499602	1		Dipstick/Tube Assembly
851	BS-493880S	1	/P	Terminal-Spark Plug
865	BS-691012	1		Cover-Air Guide (Cylinder #1)
868	BS-690968	1		Seal-Valve

ZT-50 17AK2ACP (2008)
Engine Assembly 3 P

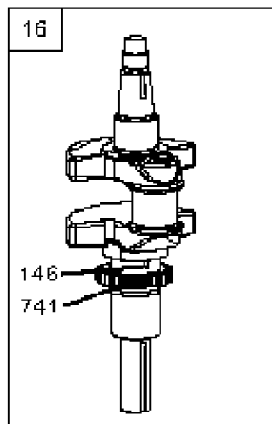
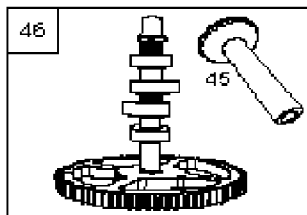
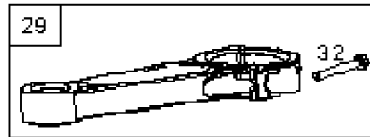
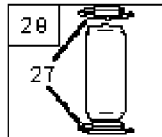
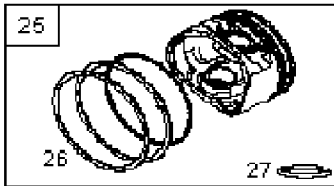
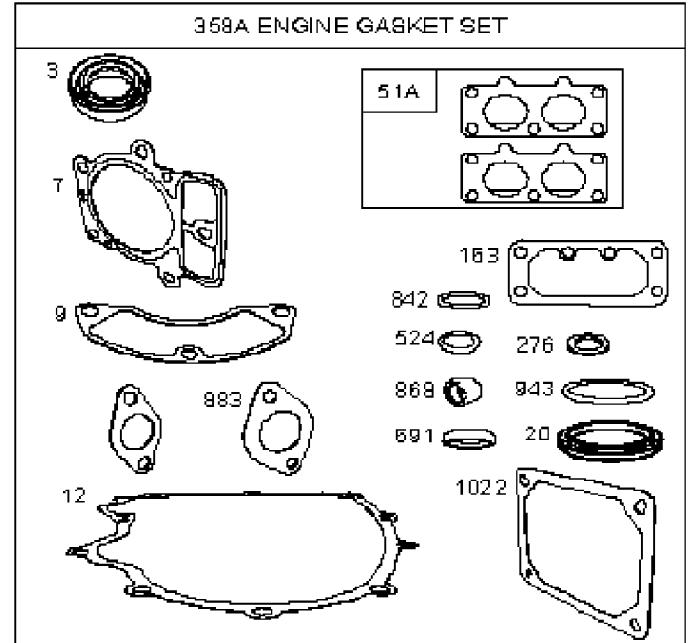
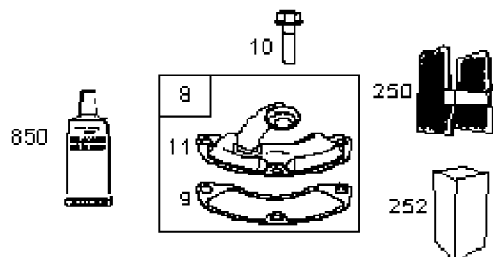
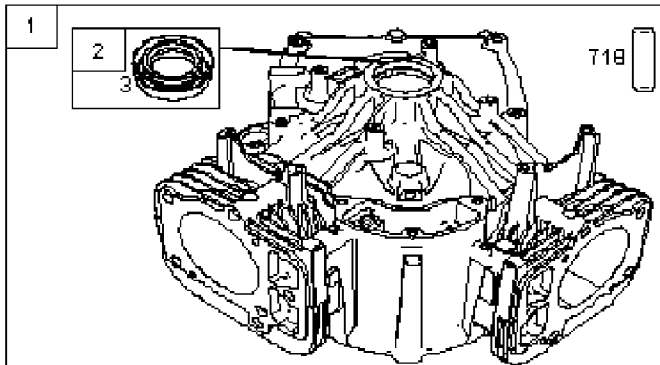
Page 19 of 76

Ref #	Part Number	Qty	S/P/F	Description
883	BS-690970	1		Gasket-Exhaust
914	BS-691127	1	/P	Screw (Rocker Cover)
918	BS-694000	1		Hose-Vacuum Used Before Code Date 06072800
918	BS-793147	1		Hose-Vacuum Used After Code Date 06072700
929	BS-695239	1		Screw (Choke Control Bracket)
943	BS-690589	1		Seal-O Ring (Oil Pump Cover)
947	BS-841546	1		Solenoid-Fuel
965	BS-499613	1		Cover-Oil Pump
968	BS-795120	1	/P	Cover-Air Cleaner
975	BS-791232	1		Bowl-Float
987	BS-691000	1		Seal-Throttle Shaft
1005	BS-791236	1		Fan-Flywheel
1013	BS-690954	1		Nipple-Oil Filter
1017	BS-690770	1		Screen-Oil Pump
1022	BS-690971	1	/P	Gasket-Rocker Cover
1023	BS-499599	1		Cover-Rocker (Cylinder #1) Used Before Code Date 06072800
1023	BS-793146	1		Cover-Rocker (Cylinder #1) Used After Code Date 06072700
1024	BS-499054	1		Pump-Oil Used Before Code Date 07022600
1026	BS-690981	1		Rod-Push (Steel)
1027	BS-696854	1	/P	Filter-Oil
1029	BS-690972	1		Arm-Rocker
1035	BS-691042	1		Shaft-Pump Used Before Code Date 07022600
1036		1		Label-Emissions
1040	BS-791237	1		Plate-Trim
1051	BS-691265	1		Ring-Retaining
1054	BS-280275	1		Tie-Cable
1059	BS-698516	1		Kit-Screw/Washer
1070	BS-691058	1		Screw (Flywheel Fan)
1090	BS-691293	1		Retainer-Brush
1095	BS-694013	1		Gasket Set-Valve
1100	BS-791959	1		Pivot-Rocker Arm
1119	BS-691183	1	S	Screw (Alternator)
1123	BS-841653	1		Seal-O Ring (Solenoid Retainer)
1124	BS-690988	1		Seal-O Ring (Fuel Transfer Tube)
1126	BS-690991	1		Screw (Fuel Transfer Tube)
1127	BS-695407	1		Screw (Float Bowl to Carburetor Body)
1128	BS-690990	1		Screw (Carburetor Nozzle)
1319	BS-794467	1		Label-Warning
1023A	BS-499600	1		Cover-Rocker (Cylinder #2)
1024A	BS-794416	1		Pump-Oil Used After Code Date 07022500
1026A	BS-690982	1		Rod-Push (Aluminum)
117A	BS-842627	1		Jet-Main (Standard) (Right)(Nikki)
118A	BS-699733	1		Jet-Main (High Altitude) (Right)(Nikki)
15A	BS-690946	1	/P	Plug-Oil Drain

ZT-50 17AK2ACP (2008)
Engine Assembly 3 P

Page 20 of 76

Ref #	Part Number	Qty	S/P/F	Description
187A	BS-791766	1	S	Line-Fuel (15" Long)(Cut To Required Length)
187E	BS-791801	1		Line-Fuel (Molded)
267A	BS-695134	1		Screw (Casing Clamp)
304C	BS-792301	1		Housing-Blower (Black)
305B	BS-790690	1		Screw (Blower Housing) (Blower Housing To Intake Elbow)
358A	BS-694012	1		Gasket Set-Engine
405A	BS-697820	1		Screw (Back Plate)
431D	BS-792297	1		Elbow-Intake
445B	BS-792105	1	/P	Filter-Air Cleaner Cartridge
447A	BS-691108	1	/P	Screw (Air Guide Cover)
474A	BS-696457	1	/P	Alternator (Tri Circuit)
474B	BS-696458	1	/P	Alternator (10-16 Amp Regulated)
474C	BS-696459	1	/P	Alternator (Dual Circuit)
501A	BS-691188	1	S	Regulator
501B	BS-691185	1	S	Regulator
50A	BS-695241	1		Manifold-Intake
51A	BS-791677	1		Gasket-Intake
526A	BS-691129	1		Screw (Regulator)
526B	BS-691108	1	/P	Screw (Regulator)
552A	BS-690553	1		Bushing-Governor Crank
578A	BS-691208	1		Wire Assembly
5A	BS-792300	1	S	Head-Cylinder (Cylinder #2)
613A	BS-690297	1		Screw (Muffler)
788A	BS-793145	1		Bracket-Fuel Pump Used After Code Date 06072700
789A	BS-790544	1		Harness-Wiring
789B	BS-698330	1		Harness-Wiring
865A	BS-793205	1		Cover-Air Guide (Cylinder #2)
865B	BS-792286	1		Cover-Air Guide (Valley)
877B	BS-399916	1		Wire/Connector-Alternator
967B	BS-792303	1	/P	Filter-Pre Cleaner



ZT-50 17AK2ACP (2008)
Engine Assembly 4 P

Page 22 of 76

Ref #	Part Number	Qty	S/P/F	Description
1	BS-699753	1		Cylinder Assembly
2	BS-499585	1		Kit-Bushing/Seal (Magneto Side)
3	BS-391086S	1	/P	Seal-Oil (Magneto Side)
4	BS-699747	1	S	Sump-Engine
5	BS-792299	1		Head-Cylinder (Cylinder #1)
7	BS-693997	1	/P	Gasket-Cylinder Head
8	BS-792185	1		Breather Assembly
9	BS-690937	1		Gasket-Breather
10	BS-691108	1	/P	Screw (Breather Assembly)
11	BS-792184	1		Tube-Breather
12	BS-697227	1		Gasket-Crankcase
13	BS-791130	1		Screw (Cylinder Head)
16	BS-699700	1		Crankshaft
20	BS-791892	1		Seal-Oil (PTO Side)
22	BS-694966	1		Screw (Crankcase Cover/Sump)
23	BS-691053	1		Flywheel
24	BS-222698S	1	/P	Key-Flywheel
25	BS-792072	1		Piston Assembly (.020 Oversize)
25	BS-792023	1	/P	Piston Assembly (Standard)
26	BS-792026	1		Ring Set (Standard)
26	BS-792073	1		Ring Set (.020 Oversize)
27	BS-690975	1		Lock-Piston Pin
28	BS-690229	1		Pin-Piston (Standard)
29	BS-699699	1		Rod-Connecting (Standard)
32	BS-690976	1		Screw (Connecting Rod)
33	BS-697576	1		Valve-Exhaust
34	BS-792200	1	/P	Valve-Intake
35	BS-694865	1		Spring-Valve (Intake)
36	BS-694865	1		Spring-Valve (Exhaust)
42	BS-499586	1		Keeper-Valve
45	BS-690977	1	/P	Tappet-Valve
46	BS-790562	1	/P	Camshaft
53	BS-690951	1		Stud (Carburetor)
54	BS-699816	1		Screw (Intake Manifold)
73	BS-494439	1		Screen-Rotating
74	BS-698425	1		Screw (Rotating Screen)
75	BS-691056	1		Washer (Flywheel)
95	BS-690718	1		Screw (Throttle Valve)
98	BS-699721	1		Kit-Idle Speed
104	BS-694918	1		Pin-Float Hinge
105	BS-698537	1		Valve-Float Needle
108	BS-699723	1		Valve-Choke
117	BS-792296	1		Jet-Main (Standard) (Left)(Nikki)
118	BS-699457	1		Jet-Main (High Altitude) (Left)(Nikki)
121	BS-792455	1	S	Kit-Carb Overhaul
125	BS-792295	1		Carburetor
130	BS-690993	1		Valve-Throttle
131	BS-499805	1		Kit-Throttle Shaft
133	BS-699724	1		Float-Carburetor
135	BS-699729	1		Tube-Fuel Transfer
137	BS-690994	1		Gasket-Float Bowl
141	BS-699722	1		Kit-Choke Shaft
142	BS-699726	1		Carburetor (Standard)

ZT-50 17AK2ACP (2008)
Engine Assembly 4 P

Page 23 of 76

Ref #	Part Number	Qty	S/P/F	Description
146	BS-690979	1	/P	Key-Timing
150	BS-690995	1		Gasket-Nozzle
163	BS-691001	1		Gasket-Air Cleaner
165	BS-693148	1		Nut (Ring Gear)
188	BS-691108	1	/P	Screw (Control Bracket)
192	BS-690083	1		Adjuster-Rocker Arm
209	BS-698071	1		Spring-Governor (White) Used Before Code Date 06081500
209	BS-793340	1		Spring-Governor Used After Code Date 06081400
211	BS-691019	1		Spring-Governed Idle
212	BS-695238	1		Link-Throttle
213	BS-691021	1		Bracket-Choke Control
216	BS-691022	1		Link-Choke
219	BS-698231	1		Gear-Governor Used Before Code Date 06081500
219	BS-793338	1		Gear-Governor Used After Code Date 06081400
220	BS-690412	1		Washer (Governor Gear)
222	BS-698761	1		Bracket-Control
227	BS-792492	1		Lever-Governor Control
231	BS-690718	1		Screw (Choke Valve)
239	BS-792028	1		Switch-Oil Pressure
240	BS-695666	1	S	Filter-Fuel
250	BS-690957	1		Retainer-Breather
252	BS-794389	1		Collector-Oil
265	BS-691024	1	/P	Clamp-Casing
268	BS-691025	1		Casing-Control Wire (Cut To Required Length)
269	BS-691026	1		Wire-Control (Cut To Required Length)
270	BS-691027	1		Nut (Control Wire Casing)
271	BS-691028	1		Lever-Control
276	BS-695410	1		Washer-Sealing
278	BS-792651	1		Washer (Governor Control Lever)
287	BS-691108	1	/P	Screw (Dipstick Tube)
300	BS-696226	1		Muffler
305	BS-691005	1		Screw (Blower Housing)
309	BS-499521	1		Motor-Starter
310	BS-691263	1		Screw (Starter Motor)
311	BS-497608	1		Brush Set
332	BS-691059	1		Nut (Flywheel)
333	BS-691060	1		Armature-Magneto
334	BS-691061	1		Screw (Magneto Armature)
337	759-3336	1	/P	Plug-Spark
363	BS-19203	1		Puller-Flywheel
383	BS-19374S	1		Wrench-Spark Plug
385	BS-691108	1	/P	Screw (Fuel Pump)
387	BS-808656	1	/P	Pump-Fuel
404	BS-690442	1		Washer (Governor Crank)
415	BS-690283	1		Plug

ZT-50 17AK2ACP (2008)
Engine Assembly 4 P

Page 24 of 76

Ref #	Part Number	Qty	S/P/F	Description
418	BS-690999	1		Plate-Carburetor Cover
447	BS-691003	1		Screw (Air Guide Cover)
467	BS-790697	1		Knob-Air Cleaner (1" Long)
505	BS-691029	1		Nut (Governor Control Lever)
510	BS-696541	1		Drive-Starter
513	BS-692024	1		Clutch-Drive
523	BS-691036	1		Dipstick
524	BS-691032	1		Seal-Dipstick Tube
525	BS-691037	1		Tube-Dipstick
544	N/A	1		Armature-Starter (Service with 497595 Starter Motor)
552	BS-690552	1		Bushing-Governor Crank
562	BS-690311	1		Bolt (Governor Control Lever)
573	BS-790444	1		Plate-Back
579	BS-691029	1		Nut (Starter Cable)
601	BS-691038	1		Clamp-Hose (Green)
613	BS-690341	1		Screw (Muffler)
615	BS-698290	1		Retainer-Governor Shaft
616	BS-691045	1		Crank-Governor
617	BS-697891	1		Seal-O Ring (Intake Manifold)
628	BS-691108	1	/P	Screw (Fuel Pump Bracket) Used Before Code Date 06072800
633	BS-690998	1		Seal-Choke/Thr Shaft
635	BS-66538S	1	/P	Boot-Spark Plug
654	BS-690958	1	/P	Nut (Carburetor)
668	BS-691500	1	/P	Spacer
672	BS-690234	1		Gasket-Carburetor Plate
691	BS-790574	1		Seal-Governor Shaft
695	BS-693149	1		Screw (Ring Gear)
697	BS-690372	1		Screw (Drive Cap)
703	BS-691010	1		Clip
718	BS-690959	1	/P	Pin-Locating
726	BS-499612	1		Gear-Ring
729	BS-694123	1		Clip-Wire
741	BS-690980	1		Gear-Timing
742	BS-690328	1		Retainer-E Ring
750	BS-696999	1		Screw (Oil Pump Cover)
783	BS-695708	1		Gear-Pinion
788	BS-691039	1		Bracket-Fuel Pump Used Before Code Date 06072800
797	BS-693167	1		Nut (Brush Retainer)
798	BS-697890	1		Screw (Rocker Arm)
801	BS-691283	1		Cap-Drive
802	BS-691286	1		Cap-End
803	N/A	1		Housing-Starter (Service with 497595 Starter Motor)
842	BS-691031	1	/P	Seal-O Ring (Dipstick Tube)
847	BS-499602	1		Dipstick/Tube Assembly
851	BS-493880S	1	/P	Terminal-Spark Plug
865	BS-691012	1		Cover-Air Guide (Cylinder #1)
868	BS-690968	1		Seal-Valve

ZT-50 17AK2ACP (2008)
Engine Assembly 4 P

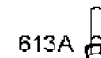
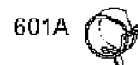
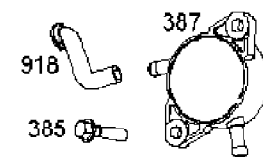
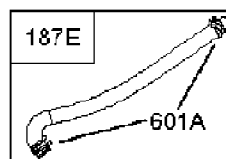
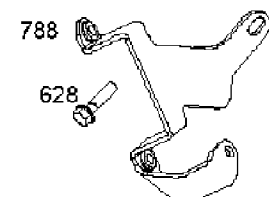
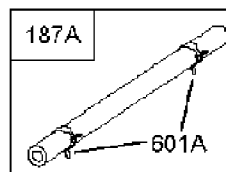
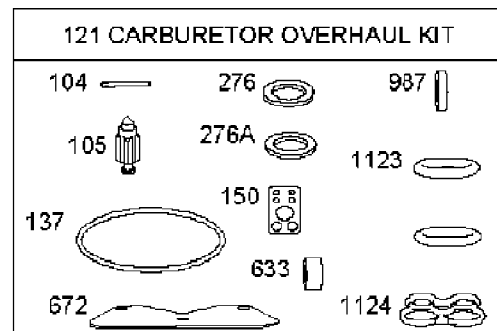
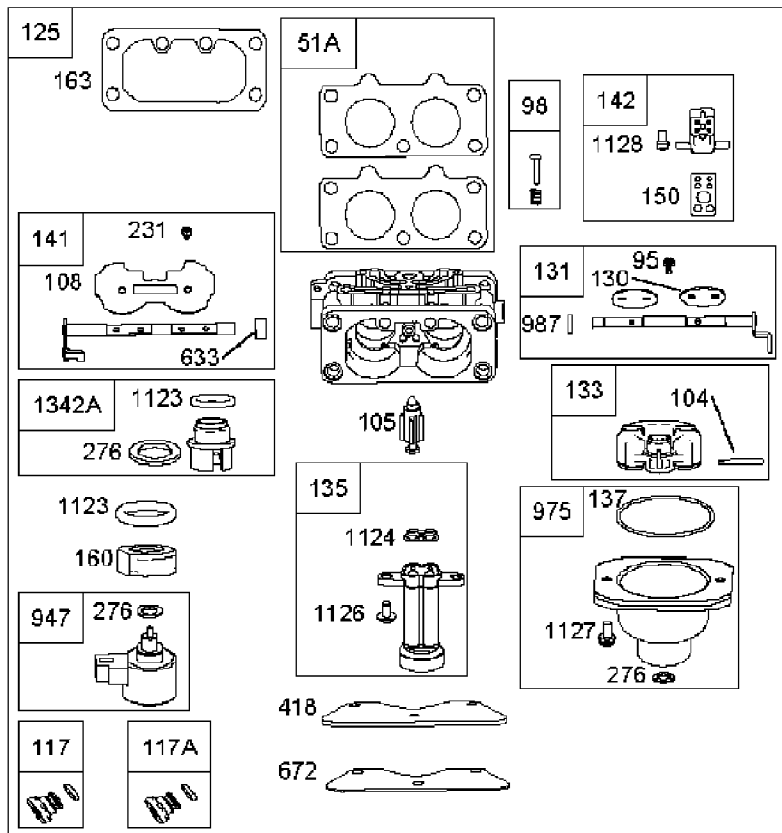
Page 25 of 76

Ref #	Part Number	Qty	S/P/F	Description
883	BS-690970	1		Gasket-Exhaust
914	BS-691127	1	/P	Screw (Rocker Cover)
918	BS-694000	1		Hose-Vacuum Used Before Code Date 06072800
918	BS-793147	1		Hose-Vacuum Used After Code Date 06072700
929	BS-695239	1		Screw (Choke Control Bracket)
943	BS-690589	1		Seal-O Ring (Oil Pump Cover)
947	BS-841546	1		Solenoid-Fuel
965	BS-499613	1		Cover-Oil Pump
968	BS-795120	1	/P	Cover-Air Cleaner
975	BS-791232	1		Bowl-Float
987	BS-691000	1		Seal-Throttle Shaft
1005	BS-791236	1		Fan-Flywheel
1013	BS-690954	1		Nipple-Oil Filter
1017	BS-690770	1		Screen-Oil Pump
1022	BS-690971	1	/P	Gasket-Rocker Cover
1023	BS-499599	1		Cover-Rocker (Cylinder #1) Used Before Code Date 06072800
1023	BS-793146	1		Cover-Rocker (Cylinder #1) Used After Code Date 06072700
1024	BS-499054	1		Pump-Oil Used Before Code Date 07022600
1026	BS-690981	1		Rod-Push (Steel)
1027	BS-696854	1	/P	Filter-Oil
1029	BS-690972	1		Arm-Rocker
1035	BS-691042	1		Shaft-Pump Used Before Code Date 07022600
1036		1		Label-Emissions
1040	BS-791237	1		Plate-Trim
1051	BS-691265	1		Ring-Retaining
1054	BS-280275	1		Tie-Cable
1059	BS-698516	1		Kit-Screw/Washer
1070	BS-691058	1		Screw (Flywheel Fan)
1090	BS-691293	1		Retainer-Brush
1095	BS-694013	1		Gasket Set-Valve
1100	BS-791959	1		Pivot-Rocker Arm
1119	BS-691183	1	S	Screw (Alternator)
1123	BS-841653	1		Seal-O Ring (Solenoid Retainer)
1124	BS-690988	1		Seal-O Ring (Fuel Transfer Tube)
1126	BS-690991	1		Screw (Fuel Transfer Tube)
1127	BS-695407	1		Screw (Float Bowl to Carburetor Body)
1128	BS-690990	1		Screw (Carburetor Nozzle)
1319	BS-794467	1		Label-Warning
1023A	BS-499600	1		Cover-Rocker (Cylinder #2)
1024A	BS-794416	1		Pump-Oil Used After Code Date 07022500
1026A	BS-690982	1		Rod-Push (Aluminum)
117A	BS-842627	1		Jet-Main (Standard) (Right)(Nikki)
118A	BS-699733	1		Jet-Main (High Altitude) (Right)(Nikki)
15A	BS-690946	1	/P	Plug-Oil Drain

ZT-50 17AK2ACP (2008)
Engine Assembly 4 P

Page 26 of 76

Ref #	Part Number	Qty	S/P/F	Description
187A	BS-791766	1	S	Line-Fuel (15" Long)(Cut To Required Length)
187E	BS-791801	1		Line-Fuel (Molded)
267A	BS-695134	1		Screw (Casing Clamp)
304C	BS-792301	1		Housing-Blower (Black)
305B	BS-790690	1		Screw (Blower Housing) (Blower Housing To Intake Elbow)
358A	BS-694012	1		Gasket Set-Engine
405A	BS-697820	1		Screw (Back Plate)
431D	BS-792297	1		Elbow-Intake
445B	BS-792105	1	/P	Filter-Air Cleaner Cartridge
447A	BS-691108	1	/P	Screw (Air Guide Cover)
474A	BS-696457	1	/P	Alternator (Tri Circuit)
474B	BS-696458	1	/P	Alternator (10-16 Amp Regulated)
474C	BS-696459	1	/P	Alternator (Dual Circuit)
501A	BS-691188	1	S	Regulator
501B	BS-691185	1	S	Regulator
50A	BS-695241	1		Manifold-Intake
51A	BS-791677	1		Gasket-Intake
526A	BS-691129	1		Screw (Regulator)
526B	BS-691108	1	/P	Screw (Regulator)
552A	BS-690553	1		Bushing-Governor Crank
578A	BS-691208	1		Wire Assembly
5A	BS-792300	1	S	Head-Cylinder (Cylinder #2)
613A	BS-690297	1		Screw (Muffler)
788A	BS-793145	1		Bracket-Fuel Pump Used After Code Date 06072700
789A	BS-790544	1		Harness-Wiring
789B	BS-698330	1		Harness-Wiring
865A	BS-793205	1		Cover-Air Guide (Cylinder #2)
865B	BS-792286	1		Cover-Air Guide (Valley)
877B	BS-399916	1		Wire/Connector-Alternator
967B	BS-792303	1	/P	Filter-Pre Cleaner



ZT-50 17AK2ACP (2008)
Engine Assembly 5 P

Page 28 of 76

Ref #	Part Number	Qty	S/P/F	Description
1	BS-699753	1		Cylinder Assembly
2	BS-499585	1		Kit-Bushing/Seal (Magneto Side)
3	BS-391086S	1	/P	Seal-Oil (Magneto Side)
4	BS-699747	1	S	Sump-Engine
5	BS-792299	1		Head-Cylinder (Cylinder #1)
7	BS-693997	1	/P	Gasket-Cylinder Head
8	BS-792185	1		Breather Assembly
9	BS-690937	1		Gasket-Breather
10	BS-691108	1	/P	Screw (Breather Assembly)
11	BS-792184	1		Tube-Breather
12	BS-697227	1		Gasket-Crankcase
13	BS-791130	1		Screw (Cylinder Head)
16	BS-699700	1		Crankshaft
20	BS-791892	1		Seal-Oil (PTO Side)
22	BS-694966	1		Screw (Crankcase Cover/Sump)
23	BS-691053	1		Flywheel
24	BS-222698S	1	/P	Key-Flywheel
25	BS-792072	1		Piston Assembly (.020 Oversize)
25	BS-792023	1	/P	Piston Assembly (Standard)
26	BS-792026	1		Ring Set (Standard)
26	BS-792073	1		Ring Set (.020 Oversize)
27	BS-690975	1		Lock-Piston Pin
28	BS-690229	1		Pin-Piston (Standard)
29	BS-699699	1		Rod-Connecting (Standard)
32	BS-690976	1		Screw (Connecting Rod)
33	BS-697576	1		Valve-Exhaust
34	BS-792200	1	/P	Valve-Intake
35	BS-694865	1		Spring-Valve (Intake)
36	BS-694865	1		Spring-Valve (Exhaust)
42	BS-499586	1		Keeper-Valve
45	BS-690977	1	/P	Tappet-Valve
46	BS-790562	1	/P	Camshaft
53	BS-690951	1		Stud (Carburetor)
54	BS-699816	1		Screw (Intake Manifold)
73	BS-494439	1		Screen-Rotating
74	BS-698425	1		Screw (Rotating Screen)
75	BS-691056	1		Washer (Flywheel)
95	BS-690718	1		Screw (Throttle Valve)
98	BS-699721	1		Kit-Idle Speed
104	BS-694918	1		Pin-Float Hinge
105	BS-698537	1		Valve-Float Needle
108	BS-699723	1		Valve-Choke
117	BS-792296	1		Jet-Main (Standard) (Left)(Nikki)
118	BS-699457	1		Jet-Main (High Altitude) (Left)(Nikki)
121	BS-792455	1	S	Kit-Carb Overhaul
125	BS-792295	1		Carburetor
130	BS-690993	1		Valve-Throttle
131	BS-499805	1		Kit-Throttle Shaft
133	BS-699724	1		Float-Carburetor
135	BS-699729	1		Tube-Fuel Transfer
137	BS-690994	1		Gasket-Float Bowl
141	BS-699722	1		Kit-Choke Shaft
142	BS-699726	1		Carburetor (Standard)

ZT-50 17AK2ACP (2008)
Engine Assembly 5 P

Page 29 of 76

Ref #	Part Number	Qty	S/P/F	Description
146	BS-690979	1	/P	Key-Timing
150	BS-690995	1		Gasket-Nozzle
163	BS-691001	1		Gasket-Air Cleaner
165	BS-693148	1		Nut (Ring Gear)
188	BS-691108	1	/P	Screw (Control Bracket)
192	BS-690083	1		Adjuster-Rocker Arm
209	BS-698071	1		Spring-Governor (White) Used Before Code Date 06081500
209	BS-793340	1		Spring-Governor Used After Code Date 06081400
211	BS-691019	1		Spring-Governed Idle
212	BS-695238	1		Link-Throttle
213	BS-691021	1		Bracket-Choke Control
216	BS-691022	1		Link-Choke
219	BS-698231	1		Gear-Governor Used Before Code Date 06081500
219	BS-793338	1		Gear-Governor Used After Code Date 06081400
220	BS-690412	1		Washer (Governor Gear)
222	BS-698761	1		Bracket-Control
227	BS-792492	1		Lever-Governor Control
231	BS-690718	1		Screw (Choke Valve)
239	BS-792028	1		Switch-Oil Pressure
240	BS-695666	1	S	Filter-Fuel
250	BS-690957	1		Retainer-Breather
252	BS-794389	1		Collector-Oil
265	BS-691024	1	/P	Clamp-Casing
268	BS-691025	1		Casing-Control Wire (Cut To Required Length)
269	BS-691026	1		Wire-Control (Cut To Required Length)
270	BS-691027	1		Nut (Control Wire Casing)
271	BS-691028	1		Lever-Control
276	BS-695410	1		Washer-Sealing
278	BS-792651	1		Washer (Governor Control Lever)
287	BS-691108	1	/P	Screw (Dipstick Tube)
300	BS-696226	1		Muffler
305	BS-691005	1		Screw (Blower Housing)
309	BS-499521	1		Motor-Starter
310	BS-691263	1		Screw (Starter Motor)
311	BS-497608	1		Brush Set
332	BS-691059	1		Nut (Flywheel)
333	BS-691060	1		Armature-Magneto
334	BS-691061	1		Screw (Magneto Armature)
337	759-3336	1	/P	Plug-Spark
363	BS-19203	1		Puller-Flywheel
383	BS-19374S	1		Wrench-Spark Plug
385	BS-691108	1	/P	Screw (Fuel Pump)
387	BS-808656	1	/P	Pump-Fuel
404	BS-690442	1		Washer (Governor Crank)
415	BS-690283	1		Plug

ZT-50 17AK2ACP (2008)
Engine Assembly 5 P

Page 30 of 76

Ref #	Part Number	Qty	S/P/F	Description
418	BS-690999	1		Plate-Carburetor Cover
447	BS-691003	1		Screw (Air Guide Cover)
467	BS-790697	1		Knob-Air Cleaner (1" Long)
505	BS-691029	1		Nut (Governor Control Lever)
510	BS-696541	1		Drive-Starter
513	BS-692024	1		Clutch-Drive
523	BS-691036	1		Dipstick
524	BS-691032	1		Seal-Dipstick Tube
525	BS-691037	1		Tube-Dipstick
544	N/A	1		Armature-Starter (Service with 497595 Starter Motor)
552	BS-690552	1		Bushing-Governor Crank
562	BS-690311	1		Bolt (Governor Control Lever)
573	BS-790444	1		Plate-Back
579	BS-691029	1		Nut (Starter Cable)
601	BS-691038	1		Clamp-Hose (Green)
613	BS-690341	1		Screw (Muffler)
615	BS-698290	1		Retainer-Governor Shaft
616	BS-691045	1		Crank-Governor
617	BS-697891	1		Seal-O Ring (Intake Manifold)
628	BS-691108	1	/P	Screw (Fuel Pump Bracket) Used Before Code Date 06072800
633	BS-690998	1		Seal-Choke/Thr Shaft
635	BS-66538S	1	/P	Boot-Spark Plug
654	BS-690958	1	/P	Nut (Carburetor)
668	BS-691500	1	/P	Spacer
672	BS-690234	1		Gasket-Carburetor Plate
691	BS-790574	1		Seal-Governor Shaft
695	BS-693149	1		Screw (Ring Gear)
697	BS-690372	1		Screw (Drive Cap)
703	BS-691010	1		Clip
718	BS-690959	1	/P	Pin-Locating
726	BS-499612	1		Gear-Ring
729	BS-694123	1		Clip-Wire
741	BS-690980	1		Gear-Timing
742	BS-690328	1		Retainer-E Ring
750	BS-696999	1		Screw (Oil Pump Cover)
783	BS-695708	1		Gear-Pinion
788	BS-691039	1		Bracket-Fuel Pump Used Before Code Date 06072800
797	BS-693167	1		Nut (Brush Retainer)
798	BS-697890	1		Screw (Rocker Arm)
801	BS-691283	1		Cap-Drive
802	BS-691286	1		Cap-End
803	N/A	1		Housing-Starter (Service with 497595 Starter Motor)
842	BS-691031	1	/P	Seal-O Ring (Dipstick Tube)
847	BS-499602	1		Dipstick/Tube Assembly
851	BS-493880S	1	/P	Terminal-Spark Plug
865	BS-691012	1		Cover-Air Guide (Cylinder #1)
868	BS-690968	1		Seal-Valve

ZT-50 17AK2ACP (2008)
Engine Assembly 5 P

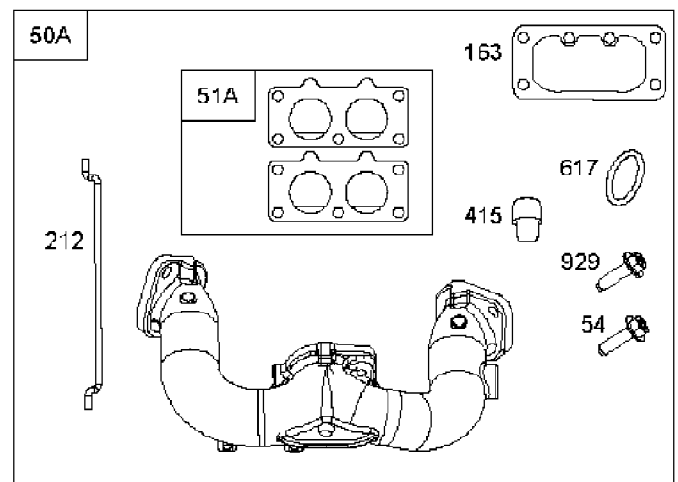
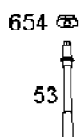
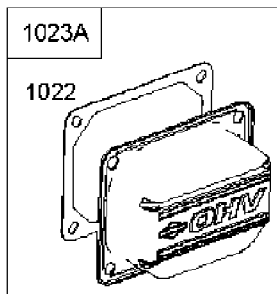
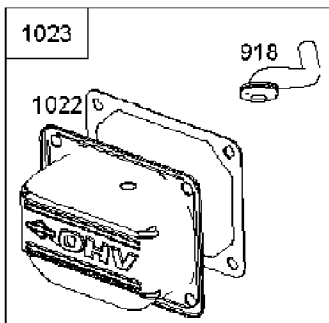
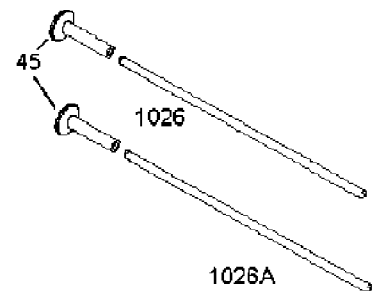
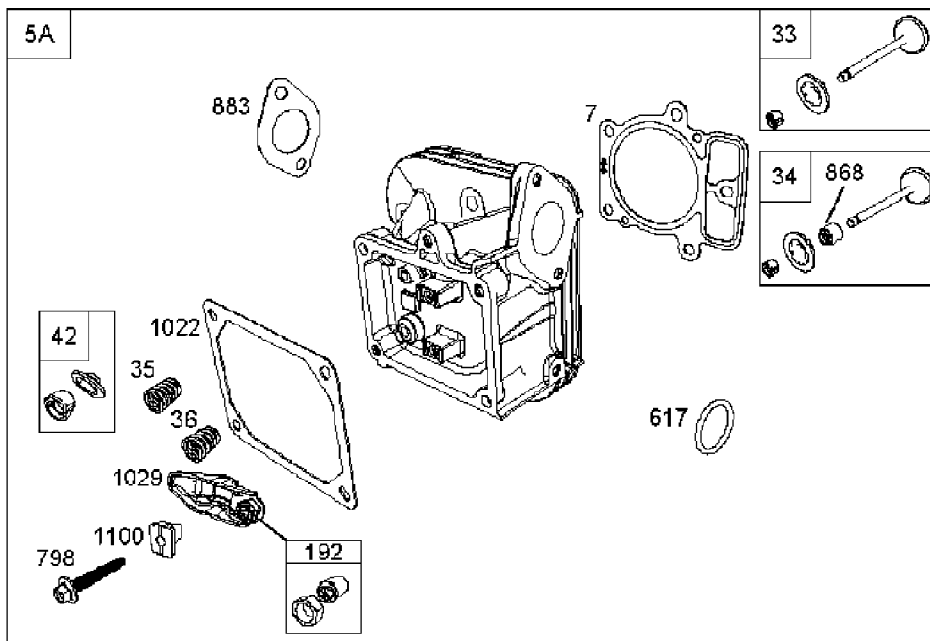
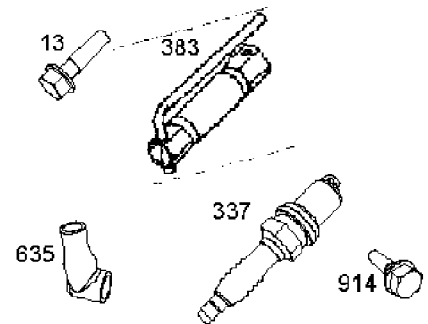
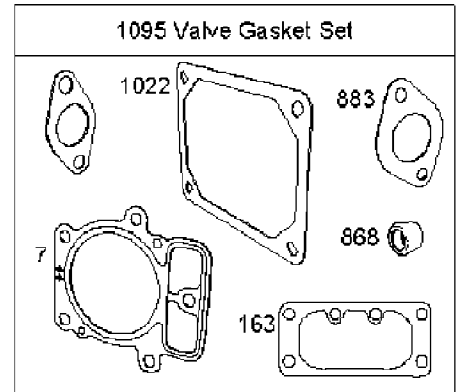
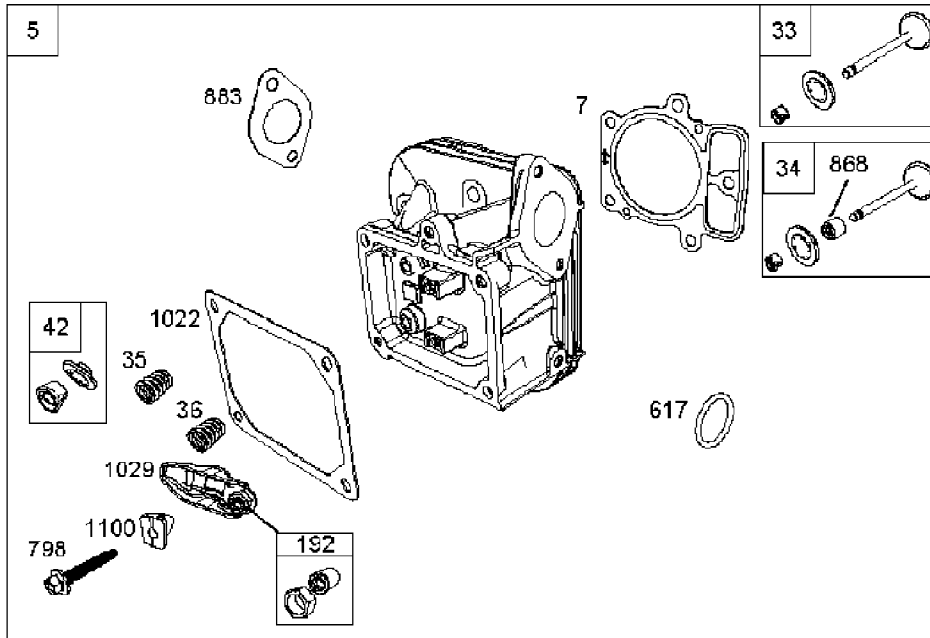
Page 31 of 76

Ref #	Part Number	Qty	S/P/F	Description
883	BS-690970	1		Gasket-Exhaust
914	BS-691127	1	/P	Screw (Rocker Cover)
918	BS-694000	1		Hose-Vacuum Used Before Code Date 06072800
918	BS-793147	1		Hose-Vacuum Used After Code Date 06072700
929	BS-695239	1		Screw (Choke Control Bracket)
943	BS-690589	1		Seal-O Ring (Oil Pump Cover)
947	BS-841546	1		Solenoid-Fuel
965	BS-499613	1		Cover-Oil Pump
968	BS-795120	1	/P	Cover-Air Cleaner
975	BS-791232	1		Bowl-Float
987	BS-691000	1		Seal-Throttle Shaft
1005	BS-791236	1		Fan-Flywheel
1013	BS-690954	1		Nipple-Oil Filter
1017	BS-690770	1		Screen-Oil Pump
1022	BS-690971	1	/P	Gasket-Rocker Cover
1023	BS-499599	1		Cover-Rocker (Cylinder #1) Used Before Code Date 06072800
1023	BS-793146	1		Cover-Rocker (Cylinder #1) Used After Code Date 06072700
1024	BS-499054	1		Pump-Oil Used Before Code Date 07022600
1026	BS-690981	1		Rod-Push (Steel)
1027	BS-696854	1	/P	Filter-Oil
1029	BS-690972	1		Arm-Rocker
1035	BS-691042	1		Shaft-Pump Used Before Code Date 07022600
1036		1		Label-Emissions
1040	BS-791237	1		Plate-Trim
1051	BS-691265	1		Ring-Retaining
1054	BS-280275	1		Tie-Cable
1059	BS-698516	1		Kit-Screw/Washer
1070	BS-691058	1		Screw (Flywheel Fan)
1090	BS-691293	1		Retainer-Brush
1095	BS-694013	1		Gasket Set-Valve
1100	BS-791959	1		Pivot-Rocker Arm
1119	BS-691183	1	S	Screw (Alternator)
1123	BS-841653	1		Seal-O Ring (Solenoid Retainer)
1124	BS-690988	1		Seal-O Ring (Fuel Transfer Tube)
1126	BS-690991	1		Screw (Fuel Transfer Tube)
1127	BS-695407	1		Screw (Float Bowl to Carburetor Body)
1128	BS-690990	1		Screw (Carburetor Nozzle)
1319	BS-794467	1		Label-Warning
1023A	BS-499600	1		Cover-Rocker (Cylinder #2)
1024A	BS-794416	1		Pump-Oil Used After Code Date 07022500
1026A	BS-690982	1		Rod-Push (Aluminum)
117A	BS-842627	1		Jet-Main (Standard) (Right)(Nikki)
118A	BS-699733	1		Jet-Main (High Altitude) (Right)(Nikki)
15A	BS-690946	1	/P	Plug-Oil Drain

ZT-50 17AK2ACP (2008)
Engine Assembly 5 P

Page 32 of 76

Ref #	Part Number	Qty	S/P/F	Description
187A	BS-791766	1	S	Line-Fuel (15" Long)(Cut To Required Length)
187E	BS-791801	1		Line-Fuel (Molded)
267A	BS-695134	1		Screw (Casing Clamp)
304C	BS-792301	1		Housing-Blower (Black)
305B	BS-790690	1		Screw (Blower Housing) (Blower Housing To Intake Elbow)
358A	BS-694012	1		Gasket Set-Engine
405A	BS-697820	1		Screw (Back Plate)
431D	BS-792297	1		Elbow-Intake
445B	BS-792105	1	/P	Filter-Air Cleaner Cartridge
447A	BS-691108	1	/P	Screw (Air Guide Cover)
474A	BS-696457	1	/P	Alternator (Tri Circuit)
474B	BS-696458	1	/P	Alternator (10-16 Amp Regulated)
474C	BS-696459	1	/P	Alternator (Dual Circuit)
501A	BS-691188	1	S	Regulator
501B	BS-691185	1	S	Regulator
50A	BS-695241	1		Manifold-Intake
51A	BS-791677	1		Gasket-Intake
526A	BS-691129	1		Screw (Regulator)
526B	BS-691108	1	/P	Screw (Regulator)
552A	BS-690553	1		Bushing-Governor Crank
578A	BS-691208	1		Wire Assembly
5A	BS-792300	1	S	Head-Cylinder (Cylinder #2)
613A	BS-690297	1		Screw (Muffler)
788A	BS-793145	1		Bracket-Fuel Pump Used After Code Date 06072700
789A	BS-790544	1		Harness-Wiring
789B	BS-698330	1		Harness-Wiring
865A	BS-793205	1		Cover-Air Guide (Cylinder #2)
865B	BS-792286	1		Cover-Air Guide (Valley)
877B	BS-399916	1		Wire/Connector-Alternator
967B	BS-792303	1	/P	Filter-Pre Cleaner



ZT-50 17AK2ACP (2008)
Engine Assembly 6 P

Page 34 of 76

Ref #	Part Number	Qty	S/P/F	Description
1	BS-699753	1		Cylinder Assembly
2	BS-499585	1		Kit-Bushing/Seal (Magneto Side)
3	BS-391086S	1	/P	Seal-Oil (Magneto Side)
4	BS-699747	1	S	Sump-Engine
5	BS-792299	1		Head-Cylinder (Cylinder #1)
7	BS-693997	1	/P	Gasket-Cylinder Head
8	BS-792185	1		Breather Assembly
9	BS-690937	1		Gasket-Breather
10	BS-691108	1	/P	Screw (Breather Assembly)
11	BS-792184	1		Tube-Breather
12	BS-697227	1		Gasket-Crankcase
13	BS-791130	1		Screw (Cylinder Head)
16	BS-699700	1		Crankshaft
20	BS-791892	1		Seal-Oil (PTO Side)
22	BS-694966	1		Screw (Crankcase Cover/Sump)
23	BS-691053	1		Flywheel
24	BS-222698S	1	/P	Key-Flywheel
25	BS-792072	1		Piston Assembly (.020 Oversize)
25	BS-792023	1	/P	Piston Assembly (Standard)
26	BS-792026	1		Ring Set (Standard)
26	BS-792073	1		Ring Set (.020 Oversize)
27	BS-690975	1		Lock-Piston Pin
28	BS-690229	1		Pin-Piston (Standard)
29	BS-699699	1		Rod-Connecting (Standard)
32	BS-690976	1		Screw (Connecting Rod)
33	BS-697576	1		Valve-Exhaust
34	BS-792200	1	/P	Valve-Intake
35	BS-694865	1		Spring-Valve (Intake)
36	BS-694865	1		Spring-Valve (Exhaust)
42	BS-499586	1		Keeper-Valve
45	BS-690977	1	/P	Tappet-Valve
46	BS-790562	1	/P	Camshaft
53	BS-690951	1		Stud (Carburetor)
54	BS-699816	1		Screw (Intake Manifold)
73	BS-494439	1		Screen-Rotating
74	BS-698425	1		Screw (Rotating Screen)
75	BS-691056	1		Washer (Flywheel)
95	BS-690718	1		Screw (Throttle Valve)
98	BS-699721	1		Kit-Idle Speed
104	BS-694918	1		Pin-Float Hinge
105	BS-698537	1		Valve-Float Needle
108	BS-699723	1		Valve-Choke
117	BS-792296	1		Jet-Main (Standard) (Left)(Nikki)
118	BS-699457	1		Jet-Main (High Altitude) (Left)(Nikki)
121	BS-792455	1	S	Kit-Carb Overhaul
125	BS-792295	1		Carburetor
130	BS-690993	1		Valve-Throttle
131	BS-499805	1		Kit-Throttle Shaft
133	BS-699724	1		Float-Carburetor
135	BS-699729	1		Tube-Fuel Transfer
137	BS-690994	1		Gasket-Float Bowl
141	BS-699722	1		Kit-Choke Shaft
142	BS-699726	1		Carburetor (Standard)

ZT-50 17AK2ACP (2008)
Engine Assembly 6 P

Page 35 of 76

Ref #	Part Number	Qty	S/P/F	Description
146	BS-690979	1	/P	Key-Timing
150	BS-690995	1		Gasket-Nozzle
163	BS-691001	1		Gasket-Air Cleaner
165	BS-693148	1		Nut (Ring Gear)
188	BS-691108	1	/P	Screw (Control Bracket)
192	BS-690083	1		Adjuster-Rocker Arm
209	BS-698071	1		Spring-Governor (White) Used Before Code Date 06081500
209	BS-793340	1		Spring-Governor Used After Code Date 06081400
211	BS-691019	1		Spring-Governed Idle
212	BS-695238	1		Link-Throttle
213	BS-691021	1		Bracket-Choke Control
216	BS-691022	1		Link-Choke
219	BS-698231	1		Gear-Governor Used Before Code Date 06081500
219	BS-793338	1		Gear-Governor Used After Code Date 06081400
220	BS-690412	1		Washer (Governor Gear)
222	BS-698761	1		Bracket-Control
227	BS-792492	1		Lever-Governor Control
231	BS-690718	1		Screw (Choke Valve)
239	BS-792028	1		Switch-Oil Pressure
240	BS-695666	1	S	Filter-Fuel
250	BS-690957	1		Retainer-Breather
252	BS-794389	1		Collector-Oil
265	BS-691024	1	/P	Clamp-Casing
268	BS-691025	1		Casing-Control Wire (Cut To Required Length)
269	BS-691026	1		Wire-Control (Cut To Required Length)
270	BS-691027	1		Nut (Control Wire Casing)
271	BS-691028	1		Lever-Control
276	BS-695410	1		Washer-Sealing
278	BS-792651	1		Washer (Governor Control Lever)
287	BS-691108	1	/P	Screw (Dipstick Tube)
300	BS-696226	1		Muffler
305	BS-691005	1		Screw (Blower Housing)
309	BS-499521	1		Motor-Starter
310	BS-691263	1		Screw (Starter Motor)
311	BS-497608	1		Brush Set
332	BS-691059	1		Nut (Flywheel)
333	BS-691060	1		Armature-Magneto
334	BS-691061	1		Screw (Magneto Armature)
337	759-3336	1	/P	Plug-Spark
363	BS-19203	1		Puller-Flywheel
383	BS-19374S	1		Wrench-Spark Plug
385	BS-691108	1	/P	Screw (Fuel Pump)
387	BS-808656	1	/P	Pump-Fuel
404	BS-690442	1		Washer (Governor Crank)
415	BS-690283	1		Plug

ZT-50 17AK2ACP (2008)
Engine Assembly 6 P

Page 36 of 76

Ref #	Part Number	Qty	S/P/F	Description
418	BS-690999	1		Plate-Carburetor Cover
447	BS-691003	1		Screw (Air Guide Cover)
467	BS-790697	1		Knob-Air Cleaner (1" Long)
505	BS-691029	1		Nut (Governor Control Lever)
510	BS-696541	1		Drive-Starter
513	BS-692024	1		Clutch-Drive
523	BS-691036	1		Dipstick
524	BS-691032	1		Seal-Dipstick Tube
525	BS-691037	1		Tube-Dipstick
544	N/A	1		Armature-Starter (Service with 497595 Starter Motor)
552	BS-690552	1		Bushing-Governor Crank
562	BS-690311	1		Bolt (Governor Control Lever)
573	BS-790444	1		Plate-Back
579	BS-691029	1		Nut (Starter Cable)
601	BS-691038	1		Clamp-Hose (Green)
613	BS-690341	1		Screw (Muffler)
615	BS-698290	1		Retainer-Governor Shaft
616	BS-691045	1		Crank-Governor
617	BS-697891	1		Seal-O Ring (Intake Manifold)
628	BS-691108	1	/P	Screw (Fuel Pump Bracket) Used Before Code Date 06072800
633	BS-690998	1		Seal-Choke/Thr Shaft
635	BS-66538S	1	/P	Boot-Spark Plug
654	BS-690958	1	/P	Nut (Carburetor)
668	BS-691500	1	/P	Spacer
672	BS-690234	1		Gasket-Carburetor Plate
691	BS-790574	1		Seal-Governor Shaft
695	BS-693149	1		Screw (Ring Gear)
697	BS-690372	1		Screw (Drive Cap)
703	BS-691010	1		Clip
718	BS-690959	1	/P	Pin-Locating
726	BS-499612	1		Gear-Ring
729	BS-694123	1		Clip-Wire
741	BS-690980	1		Gear-Timing
742	BS-690328	1		Retainer-E Ring
750	BS-696999	1		Screw (Oil Pump Cover)
783	BS-695708	1		Gear-Pinion
788	BS-691039	1		Bracket-Fuel Pump Used Before Code Date 06072800
797	BS-693167	1		Nut (Brush Retainer)
798	BS-697890	1		Screw (Rocker Arm)
801	BS-691283	1		Cap-Drive
802	BS-691286	1		Cap-End
803	N/A	1		Housing-Starter (Service with 497595 Starter Motor)
842	BS-691031	1	/P	Seal-O Ring (Dipstick Tube)
847	BS-499602	1		Dipstick/Tube Assembly
851	BS-493880S	1	/P	Terminal-Spark Plug
865	BS-691012	1		Cover-Air Guide (Cylinder #1)
868	BS-690968	1		Seal-Valve

ZT-50 17AK2ACP (2008)
Engine Assembly 6 P

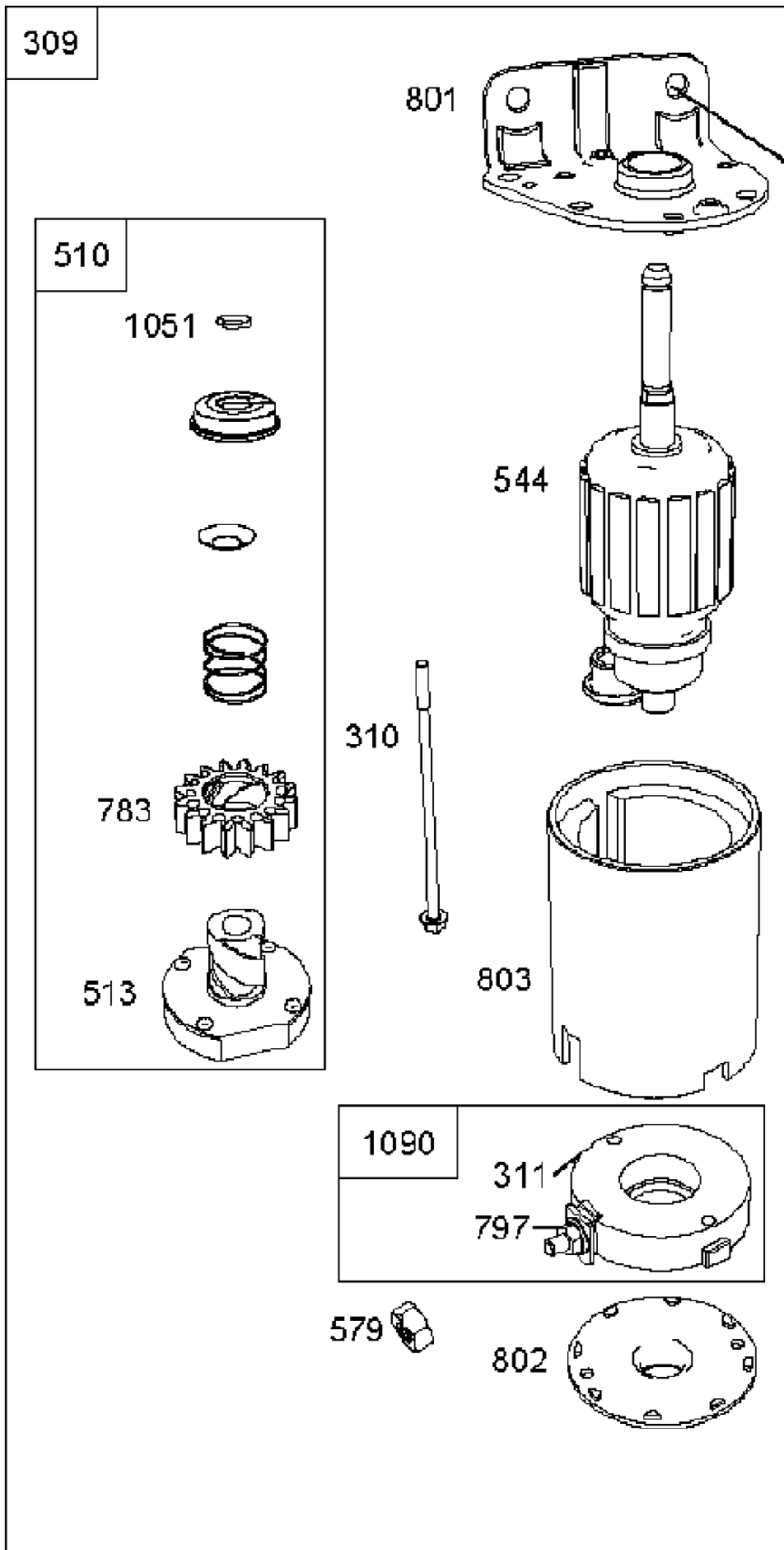
Page 37 of 76

Ref #	Part Number	Qty	S/P/F	Description
883	BS-690970	1		Gasket-Exhaust
914	BS-691127	1	/P	Screw (Rocker Cover)
918	BS-694000	1		Hose-Vacuum Used Before Code Date 06072800
918	BS-793147	1		Hose-Vacuum Used After Code Date 06072700
929	BS-695239	1		Screw (Choke Control Bracket)
943	BS-690589	1		Seal-O Ring (Oil Pump Cover)
947	BS-841546	1		Solenoid-Fuel
965	BS-499613	1		Cover-Oil Pump
968	BS-795120	1	/P	Cover-Air Cleaner
975	BS-791232	1		Bowl-Float
987	BS-691000	1		Seal-Throttle Shaft
1005	BS-791236	1		Fan-Flywheel
1013	BS-690954	1		Nipple-Oil Filter
1017	BS-690770	1		Screen-Oil Pump
1022	BS-690971	1	/P	Gasket-Rocker Cover
1023	BS-499599	1		Cover-Rocker (Cylinder #1) Used Before Code Date 06072800
1023	BS-793146	1		Cover-Rocker (Cylinder #1) Used After Code Date 06072700
1024	BS-499054	1		Pump-Oil Used Before Code Date 07022600
1026	BS-690981	1		Rod-Push (Steel)
1027	BS-696854	1	/P	Filter-Oil
1029	BS-690972	1		Arm-Rocker
1035	BS-691042	1		Shaft-Pump Used Before Code Date 07022600
1036		1		Label-Emissions
1040	BS-791237	1		Plate-Trim
1051	BS-691265	1		Ring-Retaining
1054	BS-280275	1		Tie-Cable
1059	BS-698516	1		Kit-Screw/Washer
1070	BS-691058	1		Screw (Flywheel Fan)
1090	BS-691293	1		Retainer-Brush
1095	BS-694013	1		Gasket Set-Valve
1100	BS-791959	1		Pivot-Rocker Arm
1119	BS-691183	1	S	Screw (Alternator)
1123	BS-841653	1		Seal-O Ring (Solenoid Retainer)
1124	BS-690988	1		Seal-O Ring (Fuel Transfer Tube)
1126	BS-690991	1		Screw (Fuel Transfer Tube)
1127	BS-695407	1		Screw (Float Bowl to Carburetor Body)
1128	BS-690990	1		Screw (Carburetor Nozzle)
1319	BS-794467	1		Label-Warning
1023A	BS-499600	1		Cover-Rocker (Cylinder #2)
1024A	BS-794416	1		Pump-Oil Used After Code Date 07022500
1026A	BS-690982	1		Rod-Push (Aluminum)
117A	BS-842627	1		Jet-Main (Standard) (Right)(Nikki)
118A	BS-699733	1		Jet-Main (High Altitude) (Right)(Nikki)
15A	BS-690946	1	/P	Plug-Oil Drain

ZT-50 17AK2ACP (2008)
Engine Assembly 6 P

Page 38 of 76

Ref #	Part Number	Qty	S/P/F	Description
187A	BS-791766	1	S	Line-Fuel (15" Long)(Cut To Required Length)
187E	BS-791801	1		Line-Fuel (Molded)
267A	BS-695134	1		Screw (Casing Clamp)
304C	BS-792301	1		Housing-Blower (Black)
305B	BS-790690	1		Screw (Blower Housing) (Blower Housing To Intake Elbow)
358A	BS-694012	1		Gasket Set-Engine
405A	BS-697820	1		Screw (Back Plate)
431D	BS-792297	1		Elbow-Intake
445B	BS-792105	1	/P	Filter-Air Cleaner Cartridge
447A	BS-691108	1	/P	Screw (Air Guide Cover)
474A	BS-696457	1	/P	Alternator (Tri Circuit)
474B	BS-696458	1	/P	Alternator (10-16 Amp Regulated)
474C	BS-696459	1	/P	Alternator (Dual Circuit)
501A	BS-691188	1	S	Regulator
501B	BS-691185	1	S	Regulator
50A	BS-695241	1		Manifold-Intake
51A	BS-791677	1		Gasket-Intake
526A	BS-691129	1		Screw (Regulator)
526B	BS-691108	1	/P	Screw (Regulator)
552A	BS-690553	1		Bushing-Governor Crank
578A	BS-691208	1		Wire Assembly
5A	BS-792300	1	S	Head-Cylinder (Cylinder #2)
613A	BS-690297	1		Screw (Muffler)
788A	BS-793145	1		Bracket-Fuel Pump Used After Code Date 06072700
789A	BS-790544	1		Harness-Wiring
789B	BS-698330	1		Harness-Wiring
865A	BS-793205	1		Cover-Air Guide (Cylinder #2)
865B	BS-792286	1		Cover-Air Guide (Valley)
877B	BS-399916	1		Wire/Connector-Alternator
967B	BS-792303	1	/P	Filter-Pre Cleaner



Ref #	Part Number	Qty	S/P/F	Description
1	BS-699753	1		Cylinder Assembly
2	BS-499585	1		Kit-Bushing/Seal (Magneto Side)
3	BS-391086S	1	/P	Seal-Oil (Magneto Side)
4	BS-699747	1	S	Sump-Engine
5	BS-792299	1		Head-Cylinder (Cylinder #1)
7	BS-693997	1	/P	Gasket-Cylinder Head
8	BS-792185	1		Breather Assembly
9	BS-690937	1		Gasket-Breather
10	BS-691108	1	/P	Screw (Breather Assembly)
11	BS-792184	1		Tube-Breather
12	BS-697227	1		Gasket-Crankcase
13	BS-791130	1		Screw (Cylinder Head)
16	BS-699700	1		Crankshaft
20	BS-791892	1		Seal-Oil (PTO Side)
22	BS-694966	1		Screw (Crankcase Cover/Sump)
23	BS-691053	1		Flywheel
24	BS-222698S	1	/P	Key-Flywheel
25	BS-792072	1		Piston Assembly (.020 Oversize)
25	BS-792023	1	/P	Piston Assembly (Standard)
26	BS-792026	1		Ring Set (Standard)
26	BS-792073	1		Ring Set (.020 Oversize)
27	BS-690975	1		Lock-Piston Pin
28	BS-690229	1		Pin-Piston (Standard)
29	BS-699699	1		Rod-Connecting (Standard)
32	BS-690976	1		Screw (Connecting Rod)
33	BS-697576	1		Valve-Exhaust
34	BS-792200	1	/P	Valve-Intake
35	BS-694865	1		Spring-Valve (Intake)
36	BS-694865	1		Spring-Valve (Exhaust)
42	BS-499586	1		Keeper-Valve
45	BS-690977	1	/P	Tappet-Valve
46	BS-790562	1	/P	Camshaft
53	BS-690951	1		Stud (Carburetor)
54	BS-699816	1		Screw (Intake Manifold)
73	BS-494439	1		Screen-Rotating
74	BS-698425	1		Screw (Rotating Screen)
75	BS-691056	1		Washer (Flywheel)
95	BS-690718	1		Screw (Throttle Valve)
98	BS-699721	1		Kit-Idle Speed
104	BS-694918	1		Pin-Float Hinge
105	BS-698537	1		Valve-Float Needle
108	BS-699723	1		Valve-Choke
117	BS-792296	1		Jet-Main (Standard) (Left)(Nikki)
118	BS-699457	1		Jet-Main (High Altitude) (Left)(Nikki)
121	BS-792455	1	S	Kit-Carb Overhaul
125	BS-792295	1		Carburetor
130	BS-690993	1		Valve-Throttle
131	BS-499805	1		Kit-Throttle Shaft
133	BS-699724	1		Float-Carburetor
135	BS-699729	1		Tube-Fuel Transfer
137	BS-690994	1		Gasket-Float Bowl
141	BS-699722	1		Kit-Choke Shaft
142	BS-699726	1		Carburetor (Standard)

ZT-50 17AK2ACP (2008)
Engine Assembly 7 P

Page 41 of 76

Ref #	Part Number	Qty	S/P/F	Description
146	BS-690979	1	/P	Key-Timing
150	BS-690995	1		Gasket-Nozzle
163	BS-691001	1		Gasket-Air Cleaner
165	BS-693148	1		Nut (Ring Gear)
188	BS-691108	1	/P	Screw (Control Bracket)
192	BS-690083	1		Adjuster-Rocker Arm
209	BS-698071	1		Spring-Governor (White) Used Before Code Date 06081500
209	BS-793340	1		Spring-Governor Used After Code Date 06081400
211	BS-691019	1		Spring-Governed Idle
212	BS-695238	1		Link-Throttle
213	BS-691021	1		Bracket-Choke Control
216	BS-691022	1		Link-Choke
219	BS-698231	1		Gear-Governor Used Before Code Date 06081500
219	BS-793338	1		Gear-Governor Used After Code Date 06081400
220	BS-690412	1		Washer (Governor Gear)
222	BS-698761	1		Bracket-Control
227	BS-792492	1		Lever-Governor Control
231	BS-690718	1		Screw (Choke Valve)
239	BS-792028	1		Switch-Oil Pressure
240	BS-695666	1	S	Filter-Fuel
250	BS-690957	1		Retainer-Breather
252	BS-794389	1		Collector-Oil
265	BS-691024	1	/P	Clamp-Casing
268	BS-691025	1		Casing-Control Wire (Cut To Required Length)
269	BS-691026	1		Wire-Control (Cut To Required Length)
270	BS-691027	1		Nut (Control Wire Casing)
271	BS-691028	1		Lever-Control
276	BS-695410	1		Washer-Sealing
278	BS-792651	1		Washer (Governor Control Lever)
287	BS-691108	1	/P	Screw (Dipstick Tube)
300	BS-696226	1		Muffler
305	BS-691005	1		Screw (Blower Housing)
309	BS-499521	1		Motor-Starter
310	BS-691263	1		Screw (Starter Motor)
311	BS-497608	1		Brush Set
332	BS-691059	1		Nut (Flywheel)
333	BS-691060	1		Armature-Magneto
334	BS-691061	1		Screw (Magneto Armature)
337	759-3336	1	/P	Plug-Spark
363	BS-19203	1		Puller-Flywheel
383	BS-19374S	1		Wrench-Spark Plug
385	BS-691108	1	/P	Screw (Fuel Pump)
387	BS-808656	1	/P	Pump-Fuel
404	BS-690442	1		Washer (Governor Crank)
415	BS-690283	1		Plug

ZT-50 17AK2ACP (2008)
Engine Assembly 7 P

Page 42 of 76

Ref #	Part Number	Qty	S/P/F	Description
418	BS-690999	1		Plate-Carburetor Cover
447	BS-691003	1		Screw (Air Guide Cover)
467	BS-790697	1		Knob-Air Cleaner (1" Long)
505	BS-691029	1		Nut (Governor Control Lever)
510	BS-696541	1		Drive-Starter
513	BS-692024	1		Clutch-Drive
523	BS-691036	1		Dipstick
524	BS-691032	1		Seal-Dipstick Tube
525	BS-691037	1		Tube-Dipstick
544	N/A	1		Armature-Starter (Service with 497595 Starter Motor)
552	BS-690552	1		Bushing-Governor Crank
562	BS-690311	1		Bolt (Governor Control Lever)
573	BS-790444	1		Plate-Back
579	BS-691029	1		Nut (Starter Cable)
601	BS-691038	1		Clamp-Hose (Green)
613	BS-690341	1		Screw (Muffler)
615	BS-698290	1		Retainer-Governor Shaft
616	BS-691045	1		Crank-Governor
617	BS-697891	1		Seal-O Ring (Intake Manifold)
628	BS-691108	1	/P	Screw (Fuel Pump Bracket) Used Before Code Date 06072800
633	BS-690998	1		Seal-Choke/Thr Shaft
635	BS-66538S	1	/P	Boot-Spark Plug
654	BS-690958	1	/P	Nut (Carburetor)
668	BS-691500	1	/P	Spacer
672	BS-690234	1		Gasket-Carburetor Plate
691	BS-790574	1		Seal-Governor Shaft
695	BS-693149	1		Screw (Ring Gear)
697	BS-690372	1		Screw (Drive Cap)
703	BS-691010	1		Clip
718	BS-690959	1	/P	Pin-Locating
726	BS-499612	1		Gear-Ring
729	BS-694123	1		Clip-Wire
741	BS-690980	1		Gear-Timing
742	BS-690328	1		Retainer-E Ring
750	BS-696999	1		Screw (Oil Pump Cover)
783	BS-695708	1		Gear-Pinion
788	BS-691039	1		Bracket-Fuel Pump Used Before Code Date 06072800
797	BS-693167	1		Nut (Brush Retainer)
798	BS-697890	1		Screw (Rocker Arm)
801	BS-691283	1		Cap-Drive
802	BS-691286	1		Cap-End
803	N/A	1		Housing-Starter (Service with 497595 Starter Motor)
842	BS-691031	1	/P	Seal-O Ring (Dipstick Tube)
847	BS-499602	1		Dipstick/Tube Assembly
851	BS-493880S	1	/P	Terminal-Spark Plug
865	BS-691012	1		Cover-Air Guide (Cylinder #1)
868	BS-690968	1		Seal-Valve

ZT-50 17AK2ACP (2008)
Engine Assembly 7 P

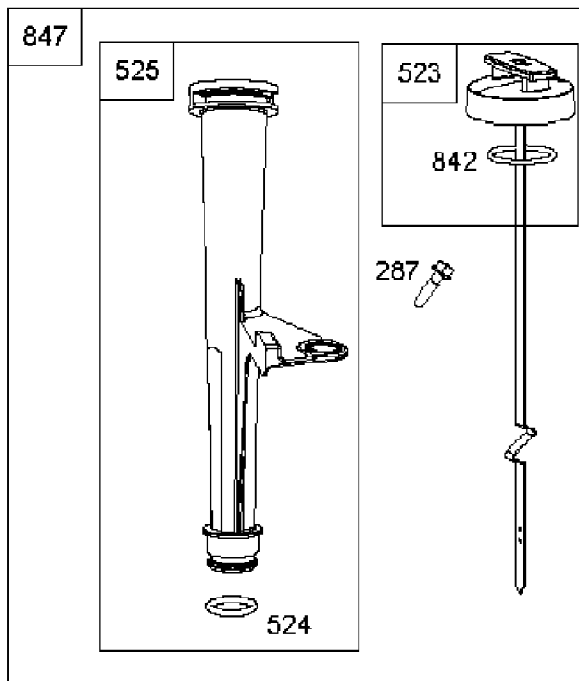
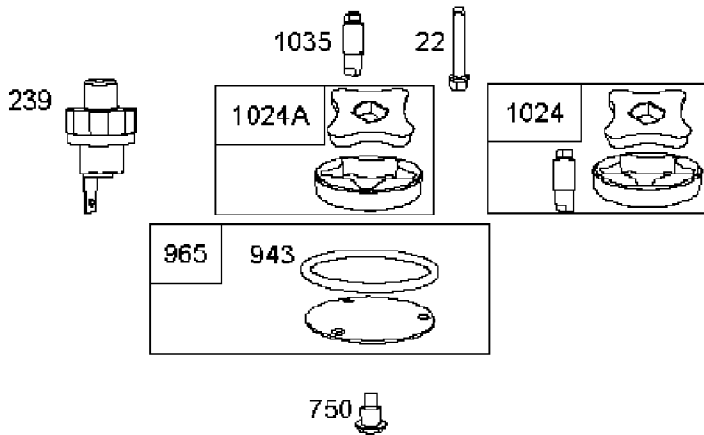
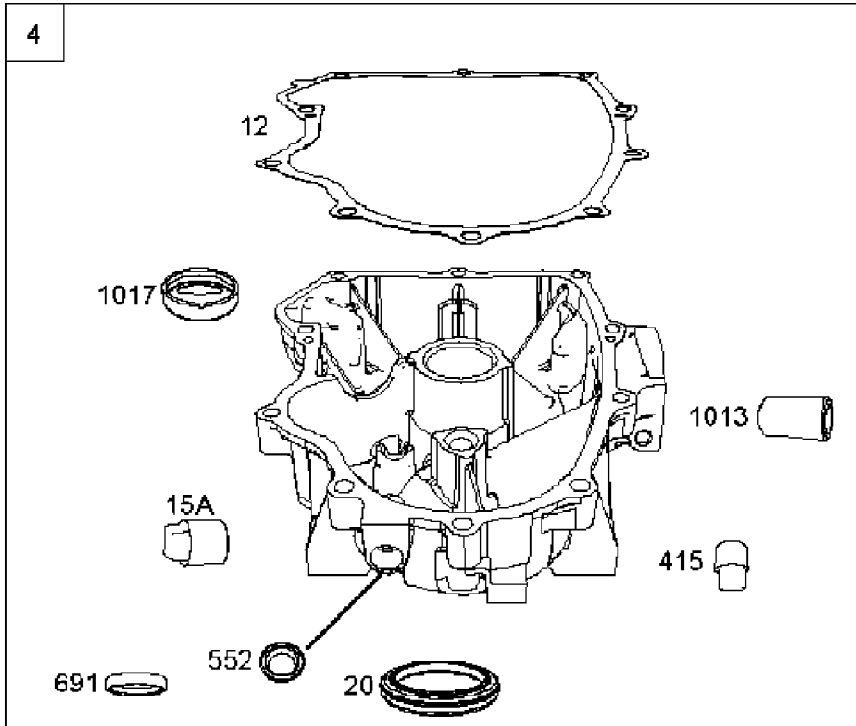
Page 43 of 76

Ref #	Part Number	Qty	S/P/F	Description
883	BS-690970	1		Gasket-Exhaust
914	BS-691127	1	/P	Screw (Rocker Cover)
918	BS-694000	1		Hose-Vacuum Used Before Code Date 06072800
918	BS-793147	1		Hose-Vacuum Used After Code Date 06072700
929	BS-695239	1		Screw (Choke Control Bracket)
943	BS-690589	1		Seal-O Ring (Oil Pump Cover)
947	BS-841546	1		Solenoid-Fuel
965	BS-499613	1		Cover-Oil Pump
968	BS-795120	1	/P	Cover-Air Cleaner
975	BS-791232	1		Bowl-Float
987	BS-691000	1		Seal-Throttle Shaft
1005	BS-791236	1		Fan-Flywheel
1013	BS-690954	1		Nipple-Oil Filter
1017	BS-690770	1		Screen-Oil Pump
1022	BS-690971	1	/P	Gasket-Rocker Cover
1023	BS-499599	1		Cover-Rocker (Cylinder #1) Used Before Code Date 06072800
1023	BS-793146	1		Cover-Rocker (Cylinder #1) Used After Code Date 06072700
1024	BS-499054	1		Pump-Oil Used Before Code Date 07022600
1026	BS-690981	1		Rod-Push (Steel)
1027	BS-696854	1	/P	Filter-Oil
1029	BS-690972	1		Arm-Rocker
1035	BS-691042	1		Shaft-Pump Used Before Code Date 07022600
1036		1		Label-Emissions
1040	BS-791237	1		Plate-Trim
1051	BS-691265	1		Ring-Retaining
1054	BS-280275	1		Tie-Cable
1059	BS-698516	1		Kit-Screw/Washer
1070	BS-691058	1		Screw (Flywheel Fan)
1090	BS-691293	1		Retainer-Brush
1095	BS-694013	1		Gasket Set-Valve
1100	BS-791959	1		Pivot-Rocker Arm
1119	BS-691183	1	S	Screw (Alternator)
1123	BS-841653	1		Seal-O Ring (Solenoid Retainer)
1124	BS-690988	1		Seal-O Ring (Fuel Transfer Tube)
1126	BS-690991	1		Screw (Fuel Transfer Tube)
1127	BS-695407	1		Screw (Float Bowl to Carburetor Body)
1128	BS-690990	1		Screw (Carburetor Nozzle)
1319	BS-794467	1		Label-Warning
1023A	BS-499600	1		Cover-Rocker (Cylinder #2)
1024A	BS-794416	1		Pump-Oil Used After Code Date 07022500
1026A	BS-690982	1		Rod-Push (Aluminum)
117A	BS-842627	1		Jet-Main (Standard) (Right)(Nikki)
118A	BS-699733	1		Jet-Main (High Altitude) (Right)(Nikki)
15A	BS-690946	1	/P	Plug-Oil Drain

ZT-50 17AK2ACP (2008)
Engine Assembly 7 P

Page 44 of 76

Ref #	Part Number	Qty	S/P/F	Description
187A	BS-791766	1	S	Line-Fuel (15" Long)(Cut To Required Length)
187E	BS-791801	1		Line-Fuel (Molded)
267A	BS-695134	1		Screw (Casing Clamp)
304C	BS-792301	1		Housing-Blower (Black)
305B	BS-790690	1		Screw (Blower Housing) (Blower Housing To Intake Elbow)
358A	BS-694012	1		Gasket Set-Engine
405A	BS-697820	1		Screw (Back Plate)
431D	BS-792297	1		Elbow-Intake
445B	BS-792105	1	/P	Filter-Air Cleaner Cartridge
447A	BS-691108	1	/P	Screw (Air Guide Cover)
474A	BS-696457	1	/P	Alternator (Tri Circuit)
474B	BS-696458	1	/P	Alternator (10-16 Amp Regulated)
474C	BS-696459	1	/P	Alternator (Dual Circuit)
501A	BS-691188	1	S	Regulator
501B	BS-691185	1	S	Regulator
50A	BS-695241	1		Manifold-Intake
51A	BS-791677	1		Gasket-Intake
526A	BS-691129	1		Screw (Regulator)
526B	BS-691108	1	/P	Screw (Regulator)
552A	BS-690553	1		Bushing-Governor Crank
578A	BS-691208	1		Wire Assembly
5A	BS-792300	1	S	Head-Cylinder (Cylinder #2)
613A	BS-690297	1		Screw (Muffler)
788A	BS-793145	1		Bracket-Fuel Pump Used After Code Date 06072700
789A	BS-790544	1		Harness-Wiring
789B	BS-698330	1		Harness-Wiring
865A	BS-793205	1		Cover-Air Guide (Cylinder #2)
865B	BS-792286	1		Cover-Air Guide (Valley)
877B	BS-399916	1		Wire/Connector-Alternator
967B	BS-792303	1	/P	Filter-Pre Cleaner



ZT-50 17AK2ACP (2008)
Engine Assembly 8 P

Page 46 of 76

Ref #	Part Number	Qty	S/P/F	Description
1	BS-699753	1		Cylinder Assembly
2	BS-499585	1		Kit-Bushing/Seal (Magneto Side)
3	BS-391086S	1	/P	Seal-Oil (Magneto Side)
4	BS-699747	1	S	Sump-Engine
5	BS-792299	1		Head-Cylinder (Cylinder #1)
7	BS-693997	1	/P	Gasket-Cylinder Head
8	BS-792185	1		Breather Assembly
9	BS-690937	1		Gasket-Breather
10	BS-691108	1	/P	Screw (Breather Assembly)
11	BS-792184	1		Tube-Breather
12	BS-697227	1		Gasket-Crankcase
13	BS-791130	1		Screw (Cylinder Head)
16	BS-699700	1		Crankshaft
20	BS-791892	1		Seal-Oil (PTO Side)
22	BS-694966	1		Screw (Crankcase Cover/Sump)
23	BS-691053	1		Flywheel
24	BS-222698S	1	/P	Key-Flywheel
25	BS-792072	1		Piston Assembly (.020 Oversize)
25	BS-792023	1	/P	Piston Assembly (Standard)
26	BS-792026	1		Ring Set (Standard)
26	BS-792073	1		Ring Set (.020 Oversize)
27	BS-690975	1		Lock-Piston Pin
28	BS-690229	1		Pin-Piston (Standard)
29	BS-699699	1		Rod-Connecting (Standard)
32	BS-690976	1		Screw (Connecting Rod)
33	BS-697576	1		Valve-Exhaust
34	BS-792200	1	/P	Valve-Intake
35	BS-694865	1		Spring-Valve (Intake)
36	BS-694865	1		Spring-Valve (Exhaust)
42	BS-499586	1		Keeper-Valve
45	BS-690977	1	/P	Tappet-Valve
46	BS-790562	1	/P	Camshaft
53	BS-690951	1		Stud (Carburetor)
54	BS-699816	1		Screw (Intake Manifold)
73	BS-494439	1		Screen-Rotating
74	BS-698425	1		Screw (Rotating Screen)
75	BS-691056	1		Washer (Flywheel)
95	BS-690718	1		Screw (Throttle Valve)
98	BS-699721	1		Kit-Idle Speed
104	BS-694918	1		Pin-Float Hinge
105	BS-698537	1		Valve-Float Needle
108	BS-699723	1		Valve-Choke
117	BS-792296	1		Jet-Main (Standard) (Left)(Nikki)
118	BS-699457	1		Jet-Main (High Altitude) (Left)(Nikki)
121	BS-792455	1	S	Kit-Carb Overhaul
125	BS-792295	1		Carburetor
130	BS-690993	1		Valve-Throttle
131	BS-499805	1		Kit-Throttle Shaft
133	BS-699724	1		Float-Carburetor
135	BS-699729	1		Tube-Fuel Transfer
137	BS-690994	1		Gasket-Float Bowl
141	BS-699722	1		Kit-Choke Shaft
142	BS-699726	1		Carburetor (Standard)

ZT-50 17AK2ACP (2008)
Engine Assembly 8 P

Page 47 of 76

Ref #	Part Number	Qty	S/P/F	Description
146	BS-690979	1	/P	Key-Timing
150	BS-690995	1		Gasket-Nozzle
163	BS-691001	1		Gasket-Air Cleaner
165	BS-693148	1		Nut (Ring Gear)
188	BS-691108	1	/P	Screw (Control Bracket)
192	BS-690083	1		Adjuster-Rocker Arm
209	BS-698071	1		Spring-Governor (White) Used Before Code Date 06081500
209	BS-793340	1		Spring-Governor Used After Code Date 06081400
211	BS-691019	1		Spring-Governed Idle
212	BS-695238	1		Link-Throttle
213	BS-691021	1		Bracket-Choke Control
216	BS-691022	1		Link-Choke
219	BS-698231	1		Gear-Governor Used Before Code Date 06081500
219	BS-793338	1		Gear-Governor Used After Code Date 06081400
220	BS-690412	1		Washer (Governor Gear)
222	BS-698761	1		Bracket-Control
227	BS-792492	1		Lever-Governor Control
231	BS-690718	1		Screw (Choke Valve)
239	BS-792028	1		Switch-Oil Pressure
240	BS-695666	1	S	Filter-Fuel
250	BS-690957	1		Retainer-Breather
252	BS-794389	1		Collector-Oil
265	BS-691024	1	/P	Clamp-Casing
268	BS-691025	1		Casing-Control Wire (Cut To Required Length)
269	BS-691026	1		Wire-Control (Cut To Required Length)
270	BS-691027	1		Nut (Control Wire Casing)
271	BS-691028	1		Lever-Control
276	BS-695410	1		Washer-Sealing
278	BS-792651	1		Washer (Governor Control Lever)
287	BS-691108	1	/P	Screw (Dipstick Tube)
300	BS-696226	1		Muffler
305	BS-691005	1		Screw (Blower Housing)
309	BS-499521	1		Motor-Starter
310	BS-691263	1		Screw (Starter Motor)
311	BS-497608	1		Brush Set
332	BS-691059	1		Nut (Flywheel)
333	BS-691060	1		Armature-Magneto
334	BS-691061	1		Screw (Magneto Armature)
337	759-3336	1	/P	Plug-Spark
363	BS-19203	1		Puller-Flywheel
383	BS-19374S	1		Wrench-Spark Plug
385	BS-691108	1	/P	Screw (Fuel Pump)
387	BS-808656	1	/P	Pump-Fuel
404	BS-690442	1		Washer (Governor Crank)
415	BS-690283	1		Plug

ZT-50 17AK2ACP (2008)
Engine Assembly 8 P

Page 48 of 76

Ref #	Part Number	Qty	S/P/F	Description
418	BS-690999	1		Plate-Carburetor Cover
447	BS-691003	1		Screw (Air Guide Cover)
467	BS-790697	1		Knob-Air Cleaner (1" Long)
505	BS-691029	1		Nut (Governor Control Lever)
510	BS-696541	1		Drive-Starter
513	BS-692024	1		Clutch-Drive
523	BS-691036	1		Dipstick
524	BS-691032	1		Seal-Dipstick Tube
525	BS-691037	1		Tube-Dipstick
544	N/A	1		Armature-Starter (Service with 497595 Starter Motor)
552	BS-690552	1		Bushing-Governor Crank
562	BS-690311	1		Bolt (Governor Control Lever)
573	BS-790444	1		Plate-Back
579	BS-691029	1		Nut (Starter Cable)
601	BS-691038	1		Clamp-Hose (Green)
613	BS-690341	1		Screw (Muffler)
615	BS-698290	1		Retainer-Governor Shaft
616	BS-691045	1		Crank-Governor
617	BS-697891	1		Seal-O Ring (Intake Manifold)
628	BS-691108	1	/P	Screw (Fuel Pump Bracket) Used Before Code Date 06072800
633	BS-690998	1		Seal-Choke/Thr Shaft
635	BS-66538S	1	/P	Boot-Spark Plug
654	BS-690958	1	/P	Nut (Carburetor)
668	BS-691500	1	/P	Spacer
672	BS-690234	1		Gasket-Carburetor Plate
691	BS-790574	1		Seal-Governor Shaft
695	BS-693149	1		Screw (Ring Gear)
697	BS-690372	1		Screw (Drive Cap)
703	BS-691010	1		Clip
718	BS-690959	1	/P	Pin-Locating
726	BS-499612	1		Gear-Ring
729	BS-694123	1		Clip-Wire
741	BS-690980	1		Gear-Timing
742	BS-690328	1		Retainer-E Ring
750	BS-696999	1		Screw (Oil Pump Cover)
783	BS-695708	1		Gear-Pinion
788	BS-691039	1		Bracket-Fuel Pump Used Before Code Date 06072800
797	BS-693167	1		Nut (Brush Retainer)
798	BS-697890	1		Screw (Rocker Arm)
801	BS-691283	1		Cap-Drive
802	BS-691286	1		Cap-End
803	N/A	1		Housing-Starter (Service with 497595 Starter Motor)
842	BS-691031	1	/P	Seal-O Ring (Dipstick Tube)
847	BS-499602	1		Dipstick/Tube Assembly
851	BS-493880S	1	/P	Terminal-Spark Plug
865	BS-691012	1		Cover-Air Guide (Cylinder #1)
868	BS-690968	1		Seal-Valve

ZT-50 17AK2ACP (2008)
Engine Assembly 8 P

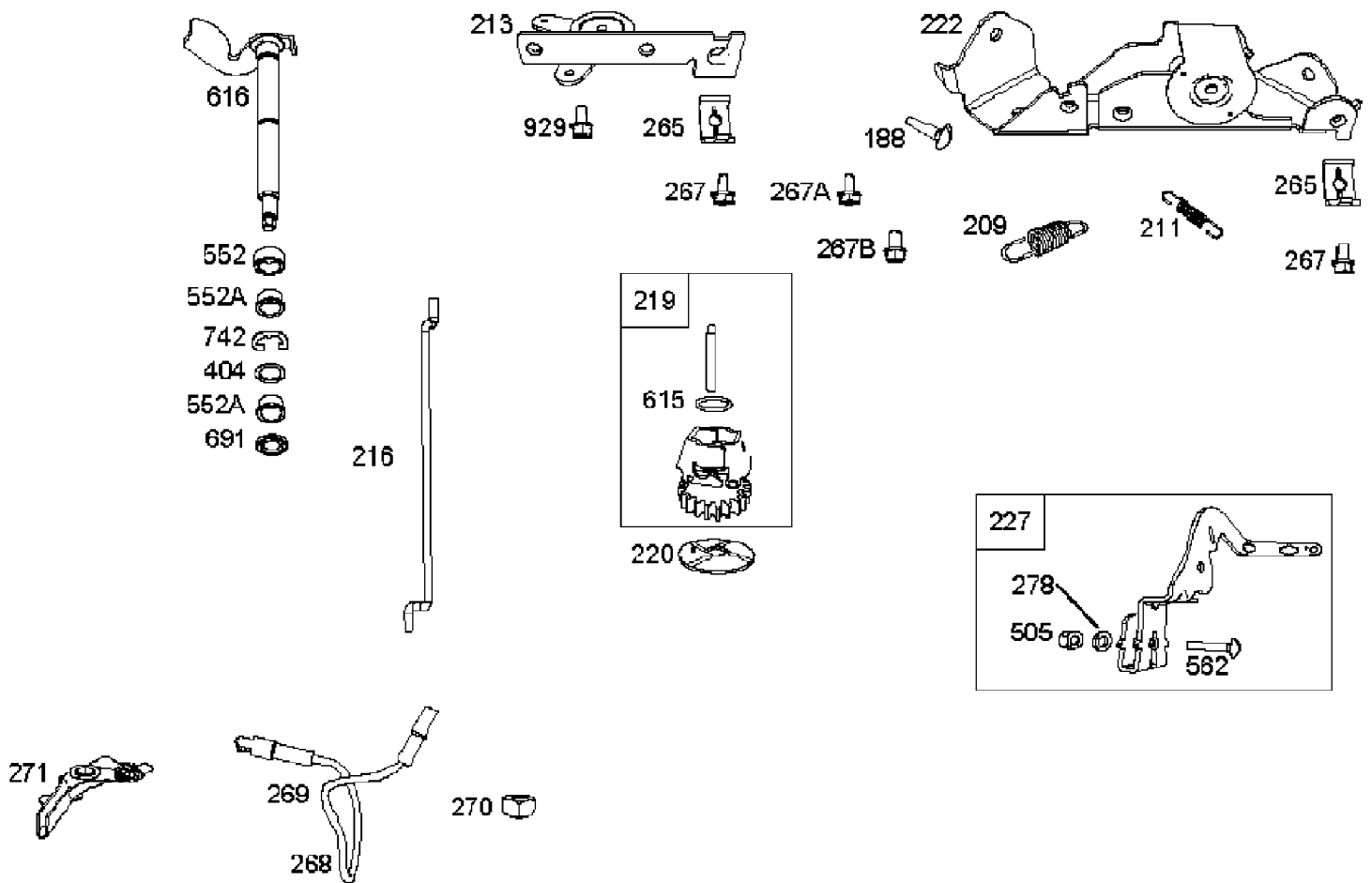
Page 49 of 76

Ref #	Part Number	Qty	S/P/F	Description
883	BS-690970	1		Gasket-Exhaust
914	BS-691127	1	/P	Screw (Rocker Cover)
918	BS-694000	1		Hose-Vacuum Used Before Code Date 06072800
918	BS-793147	1		Hose-Vacuum Used After Code Date 06072700
929	BS-695239	1		Screw (Choke Control Bracket)
943	BS-690589	1		Seal-O Ring (Oil Pump Cover)
947	BS-841546	1		Solenoid-Fuel
965	BS-499613	1		Cover-Oil Pump
968	BS-795120	1	/P	Cover-Air Cleaner
975	BS-791232	1		Bowl-Float
987	BS-691000	1		Seal-Throttle Shaft
1005	BS-791236	1		Fan-Flywheel
1013	BS-690954	1		Nipple-Oil Filter
1017	BS-690770	1		Screen-Oil Pump
1022	BS-690971	1	/P	Gasket-Rocker Cover
1023	BS-499599	1		Cover-Rocker (Cylinder #1) Used Before Code Date 06072800
1023	BS-793146	1		Cover-Rocker (Cylinder #1) Used After Code Date 06072700
1024	BS-499054	1		Pump-Oil Used Before Code Date 07022600
1026	BS-690981	1		Rod-Push (Steel)
1027	BS-696854	1	/P	Filter-Oil
1029	BS-690972	1		Arm-Rocker
1035	BS-691042	1		Shaft-Pump Used Before Code Date 07022600
1036		1		Label-Emissions
1040	BS-791237	1		Plate-Trim
1051	BS-691265	1		Ring-Retaining
1054	BS-280275	1		Tie-Cable
1059	BS-698516	1		Kit-Screw/Washer
1070	BS-691058	1		Screw (Flywheel Fan)
1090	BS-691293	1		Retainer-Brush
1095	BS-694013	1		Gasket Set-Valve
1100	BS-791959	1		Pivot-Rocker Arm
1119	BS-691183	1	S	Screw (Alternator)
1123	BS-841653	1		Seal-O Ring (Solenoid Retainer)
1124	BS-690988	1		Seal-O Ring (Fuel Transfer Tube)
1126	BS-690991	1		Screw (Fuel Transfer Tube)
1127	BS-695407	1		Screw (Float Bowl to Carburetor Body)
1128	BS-690990	1		Screw (Carburetor Nozzle)
1319	BS-794467	1		Label-Warning
1023A	BS-499600	1		Cover-Rocker (Cylinder #2)
1024A	BS-794416	1		Pump-Oil Used After Code Date 07022500
1026A	BS-690982	1		Rod-Push (Aluminum)
117A	BS-842627	1		Jet-Main (Standard) (Right)(Nikki)
118A	BS-699733	1		Jet-Main (High Altitude) (Right)(Nikki)
15A	BS-690946	1	/P	Plug-Oil Drain

ZT-50 17AK2ACP (2008)
Engine Assembly 8 P

Page 50 of 76

Ref #	Part Number	Qty	S/P/F	Description
187A	BS-791766	1	S	Line-Fuel (15" Long)(Cut To Required Length)
187E	BS-791801	1		Line-Fuel (Molded)
267A	BS-695134	1		Screw (Casing Clamp)
304C	BS-792301	1		Housing-Blower (Black)
305B	BS-790690	1		Screw (Blower Housing) (Blower Housing To Intake Elbow)
358A	BS-694012	1		Gasket Set-Engine
405A	BS-697820	1		Screw (Back Plate)
431D	BS-792297	1		Elbow-Intake
445B	BS-792105	1	/P	Filter-Air Cleaner Cartridge
447A	BS-691108	1	/P	Screw (Air Guide Cover)
474A	BS-696457	1	/P	Alternator (Tri Circuit)
474B	BS-696458	1	/P	Alternator (10-16 Amp Regulated)
474C	BS-696459	1	/P	Alternator (Dual Circuit)
501A	BS-691188	1	S	Regulator
501B	BS-691185	1	S	Regulator
50A	BS-695241	1		Manifold-Intake
51A	BS-791677	1		Gasket-Intake
526A	BS-691129	1		Screw (Regulator)
526B	BS-691108	1	/P	Screw (Regulator)
552A	BS-690553	1		Bushing-Governor Crank
578A	BS-691208	1		Wire Assembly
5A	BS-792300	1	S	Head-Cylinder (Cylinder #2)
613A	BS-690297	1		Screw (Muffler)
788A	BS-793145	1		Bracket-Fuel Pump Used After Code Date 06072700
789A	BS-790544	1		Harness-Wiring
789B	BS-698330	1		Harness-Wiring
865A	BS-793205	1		Cover-Air Guide (Cylinder #2)
865B	BS-792286	1		Cover-Air Guide (Valley)
877B	BS-399916	1		Wire/Connector-Alternator
967B	BS-792303	1	/P	Filter-Pre Cleaner



ZT-50 17AK2ACP (2008)
Engine Assembly 9 P

Page 52 of 76

Ref #	Part Number	Qty	S/P/F	Description
1	BS-699753	1		Cylinder Assembly
2	BS-499585	1		Kit-Bushing/Seal (Magneto Side)
3	BS-391086S	1	/P	Seal-Oil (Magneto Side)
4	BS-699747	1	S	Sump-Engine
5	BS-792299	1		Head-Cylinder (Cylinder #1)
7	BS-693997	1	/P	Gasket-Cylinder Head
8	BS-792185	1		Breather Assembly
9	BS-690937	1		Gasket-Breather
10	BS-691108	1	/P	Screw (Breather Assembly)
11	BS-792184	1		Tube-Breather
12	BS-697227	1		Gasket-Crankcase
13	BS-791130	1		Screw (Cylinder Head)
16	BS-699700	1		Crankshaft
20	BS-791892	1		Seal-Oil (PTO Side)
22	BS-694966	1		Screw (Crankcase Cover/Sump)
23	BS-691053	1		Flywheel
24	BS-222698S	1	/P	Key-Flywheel
25	BS-792072	1		Piston Assembly (.020 Oversize)
25	BS-792023	1	/P	Piston Assembly (Standard)
26	BS-792026	1		Ring Set (Standard)
26	BS-792073	1		Ring Set (.020 Oversize)
27	BS-690975	1		Lock-Piston Pin
28	BS-690229	1		Pin-Piston (Standard)
29	BS-699699	1		Rod-Connecting (Standard)
32	BS-690976	1		Screw (Connecting Rod)
33	BS-697576	1		Valve-Exhaust
34	BS-792200	1	/P	Valve-Intake
35	BS-694865	1		Spring-Valve (Intake)
36	BS-694865	1		Spring-Valve (Exhaust)
42	BS-499586	1		Keeper-Valve
45	BS-690977	1	/P	Tappet-Valve
46	BS-790562	1	/P	Camshaft
53	BS-690951	1		Stud (Carburetor)
54	BS-699816	1		Screw (Intake Manifold)
73	BS-494439	1		Screen-Rotating
74	BS-698425	1		Screw (Rotating Screen)
75	BS-691056	1		Washer (Flywheel)
95	BS-690718	1		Screw (Throttle Valve)
98	BS-699721	1		Kit-Idle Speed
104	BS-694918	1		Pin-Float Hinge
105	BS-698537	1		Valve-Float Needle
108	BS-699723	1		Valve-Choke
117	BS-792296	1		Jet-Main (Standard) (Left)(Nikki)
118	BS-699457	1		Jet-Main (High Altitude) (Left)(Nikki)
121	BS-792455	1	S	Kit-Carb Overhaul
125	BS-792295	1		Carburetor
130	BS-690993	1		Valve-Throttle
131	BS-499805	1		Kit-Throttle Shaft
133	BS-699724	1		Float-Carburetor
135	BS-699729	1		Tube-Fuel Transfer
137	BS-690994	1		Gasket-Float Bowl
141	BS-699722	1		Kit-Choke Shaft
142	BS-699726	1		Carburetor (Standard)

ZT-50 17AK2ACP (2008)
Engine Assembly 9 P

Page 53 of 76

Ref #	Part Number	Qty	S/P/F	Description
146	BS-690979	1	/P	Key-Timing
150	BS-690995	1		Gasket-Nozzle
163	BS-691001	1		Gasket-Air Cleaner
165	BS-693148	1		Nut (Ring Gear)
188	BS-691108	1	/P	Screw (Control Bracket)
192	BS-690083	1		Adjuster-Rocker Arm
209	BS-698071	1		Spring-Governor (White) Used Before Code Date 06081500
209	BS-793340	1		Spring-Governor Used After Code Date 06081400
211	BS-691019	1		Spring-Governed Idle
212	BS-695238	1		Link-Throttle
213	BS-691021	1		Bracket-Choke Control
216	BS-691022	1		Link-Choke
219	BS-698231	1		Gear-Governor Used Before Code Date 06081500
219	BS-793338	1		Gear-Governor Used After Code Date 06081400
220	BS-690412	1		Washer (Governor Gear)
222	BS-698761	1		Bracket-Control
227	BS-792492	1		Lever-Governor Control
231	BS-690718	1		Screw (Choke Valve)
239	BS-792028	1		Switch-Oil Pressure
240	BS-695666	1	S	Filter-Fuel
250	BS-690957	1		Retainer-Breather
252	BS-794389	1		Collector-Oil
265	BS-691024	1	/P	Clamp-Casing
268	BS-691025	1		Casing-Control Wire (Cut To Required Length)
269	BS-691026	1		Wire-Control (Cut To Required Length)
270	BS-691027	1		Nut (Control Wire Casing)
271	BS-691028	1		Lever-Control
276	BS-695410	1		Washer-Sealing
278	BS-792651	1		Washer (Governor Control Lever)
287	BS-691108	1	/P	Screw (Dipstick Tube)
300	BS-696226	1		Muffler
305	BS-691005	1		Screw (Blower Housing)
309	BS-499521	1		Motor-Starter
310	BS-691263	1		Screw (Starter Motor)
311	BS-497608	1		Brush Set
332	BS-691059	1		Nut (Flywheel)
333	BS-691060	1		Armature-Magneto
334	BS-691061	1		Screw (Magneto Armature)
337	759-3336	1	/P	Plug-Spark
363	BS-19203	1		Puller-Flywheel
383	BS-19374S	1		Wrench-Spark Plug
385	BS-691108	1	/P	Screw (Fuel Pump)
387	BS-808656	1	/P	Pump-Fuel
404	BS-690442	1		Washer (Governor Crank)
415	BS-690283	1		Plug

ZT-50 17AK2ACP (2008)
Engine Assembly 9 P

Page 54 of 76

Ref #	Part Number	Qty	S/P/F	Description
418	BS-690999	1		Plate-Carburetor Cover
447	BS-691003	1		Screw (Air Guide Cover)
467	BS-790697	1		Knob-Air Cleaner (1" Long)
505	BS-691029	1		Nut (Governor Control Lever)
510	BS-696541	1		Drive-Starter
513	BS-692024	1		Clutch-Drive
523	BS-691036	1		Dipstick
524	BS-691032	1		Seal-Dipstick Tube
525	BS-691037	1		Tube-Dipstick
544	N/A	1		Armature-Starter (Service with 497595 Starter Motor)
552	BS-690552	1		Bushing-Governor Crank
562	BS-690311	1		Bolt (Governor Control Lever)
573	BS-790444	1		Plate-Back
579	BS-691029	1		Nut (Starter Cable)
601	BS-691038	1		Clamp-Hose (Green)
613	BS-690341	1		Screw (Muffler)
615	BS-698290	1		Retainer-Governor Shaft
616	BS-691045	1		Crank-Governor
617	BS-697891	1		Seal-O Ring (Intake Manifold)
628	BS-691108	1	/P	Screw (Fuel Pump Bracket) Used Before Code Date 06072800
633	BS-690998	1		Seal-Choke/Thr Shaft
635	BS-66538S	1	/P	Boot-Spark Plug
654	BS-690958	1	/P	Nut (Carburetor)
668	BS-691500	1	/P	Spacer
672	BS-690234	1		Gasket-Carburetor Plate
691	BS-790574	1		Seal-Governor Shaft
695	BS-693149	1		Screw (Ring Gear)
697	BS-690372	1		Screw (Drive Cap)
703	BS-691010	1		Clip
718	BS-690959	1	/P	Pin-Locating
726	BS-499612	1		Gear-Ring
729	BS-694123	1		Clip-Wire
741	BS-690980	1		Gear-Timing
742	BS-690328	1		Retainer-E Ring
750	BS-696999	1		Screw (Oil Pump Cover)
783	BS-695708	1		Gear-Pinion
788	BS-691039	1		Bracket-Fuel Pump Used Before Code Date 06072800
797	BS-693167	1		Nut (Brush Retainer)
798	BS-697890	1		Screw (Rocker Arm)
801	BS-691283	1		Cap-Drive
802	BS-691286	1		Cap-End
803	N/A	1		Housing-Starter (Service with 497595 Starter Motor)
842	BS-691031	1	/P	Seal-O Ring (Dipstick Tube)
847	BS-499602	1		Dipstick/Tube Assembly
851	BS-493880S	1	/P	Terminal-Spark Plug
865	BS-691012	1		Cover-Air Guide (Cylinder #1)
868	BS-690968	1		Seal-Valve

ZT-50 17AK2ACP (2008)
Engine Assembly 9 P

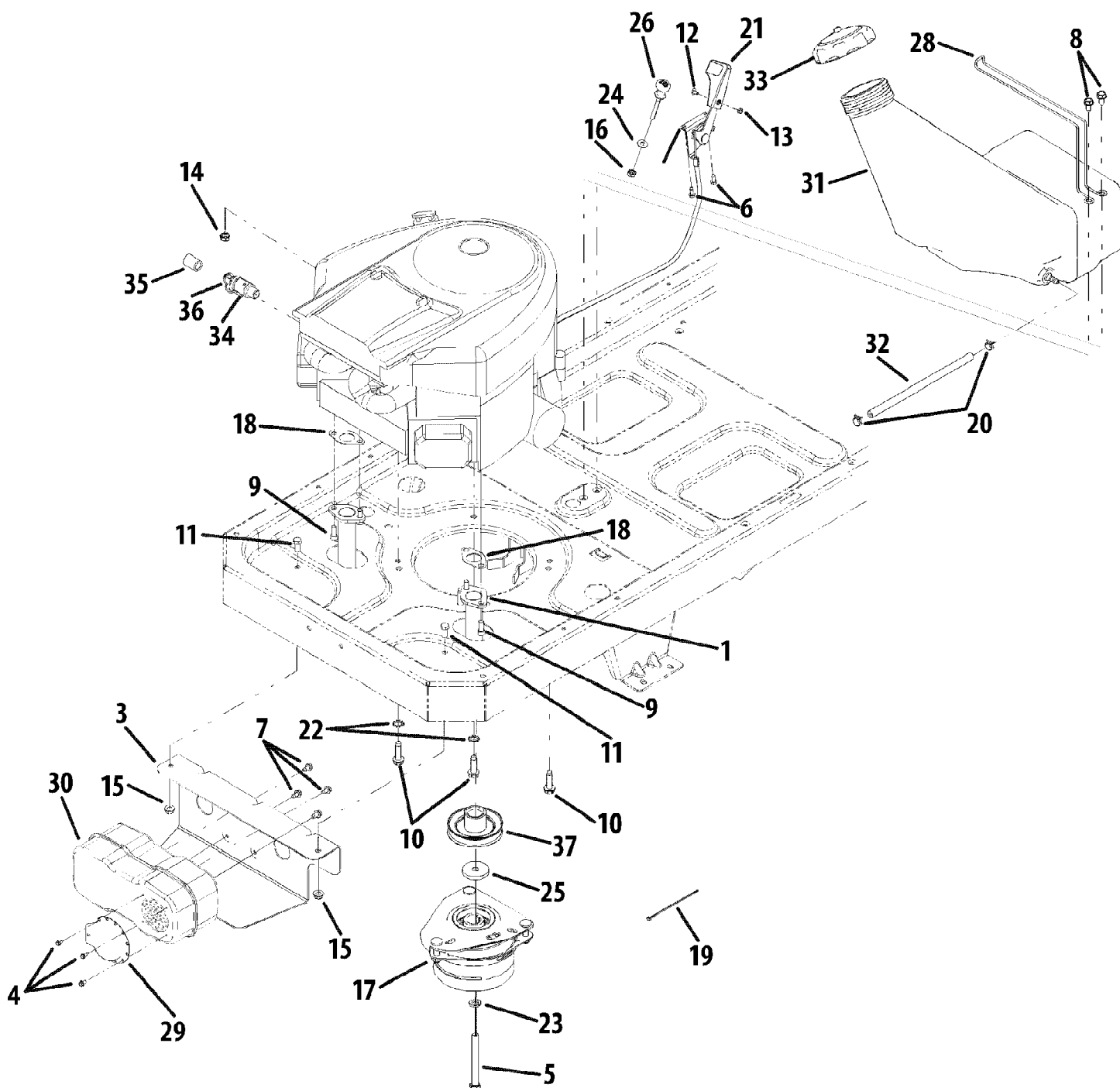
Page 55 of 76

Ref #	Part Number	Qty	S/P/F	Description
883	BS-690970	1		Gasket-Exhaust
914	BS-691127	1	/P	Screw (Rocker Cover)
918	BS-694000	1		Hose-Vacuum Used Before Code Date 06072800
918	BS-793147	1		Hose-Vacuum Used After Code Date 06072700
929	BS-695239	1		Screw (Choke Control Bracket)
943	BS-690589	1		Seal-O Ring (Oil Pump Cover)
947	BS-841546	1		Solenoid-Fuel
965	BS-499613	1		Cover-Oil Pump
968	BS-795120	1	/P	Cover-Air Cleaner
975	BS-791232	1		Bowl-Float
987	BS-691000	1		Seal-Throttle Shaft
1005	BS-791236	1		Fan-Flywheel
1013	BS-690954	1		Nipple-Oil Filter
1017	BS-690770	1		Screen-Oil Pump
1022	BS-690971	1	/P	Gasket-Rocker Cover
1023	BS-499599	1		Cover-Rocker (Cylinder #1) Used Before Code Date 06072800
1023	BS-793146	1		Cover-Rocker (Cylinder #1) Used After Code Date 06072700
1024	BS-499054	1		Pump-Oil Used Before Code Date 07022600
1026	BS-690981	1		Rod-Push (Steel)
1027	BS-696854	1	/P	Filter-Oil
1029	BS-690972	1		Arm-Rocker
1035	BS-691042	1		Shaft-Pump Used Before Code Date 07022600
1036		1		Label-Emissions
1040	BS-791237	1		Plate-Trim
1051	BS-691265	1		Ring-Retaining
1054	BS-280275	1		Tie-Cable
1059	BS-698516	1		Kit-Screw/Washer
1070	BS-691058	1		Screw (Flywheel Fan)
1090	BS-691293	1		Retainer-Brush
1095	BS-694013	1		Gasket Set-Valve
1100	BS-791959	1		Pivot-Rocker Arm
1119	BS-691183	1	S	Screw (Alternator)
1123	BS-841653	1		Seal-O Ring (Solenoid Retainer)
1124	BS-690988	1		Seal-O Ring (Fuel Transfer Tube)
1126	BS-690991	1		Screw (Fuel Transfer Tube)
1127	BS-695407	1		Screw (Float Bowl to Carburetor Body)
1128	BS-690990	1		Screw (Carburetor Nozzle)
1319	BS-794467	1		Label-Warning
1023A	BS-499600	1		Cover-Rocker (Cylinder #2)
1024A	BS-794416	1		Pump-Oil Used After Code Date 07022500
1026A	BS-690982	1		Rod-Push (Aluminum)
117A	BS-842627	1		Jet-Main (Standard) (Right)(Nikki)
118A	BS-699733	1		Jet-Main (High Altitude) (Right)(Nikki)
15A	BS-690946	1	/P	Plug-Oil Drain

ZT-50 17AK2ACP (2008)
Engine Assembly 9 P

Page 56 of 76

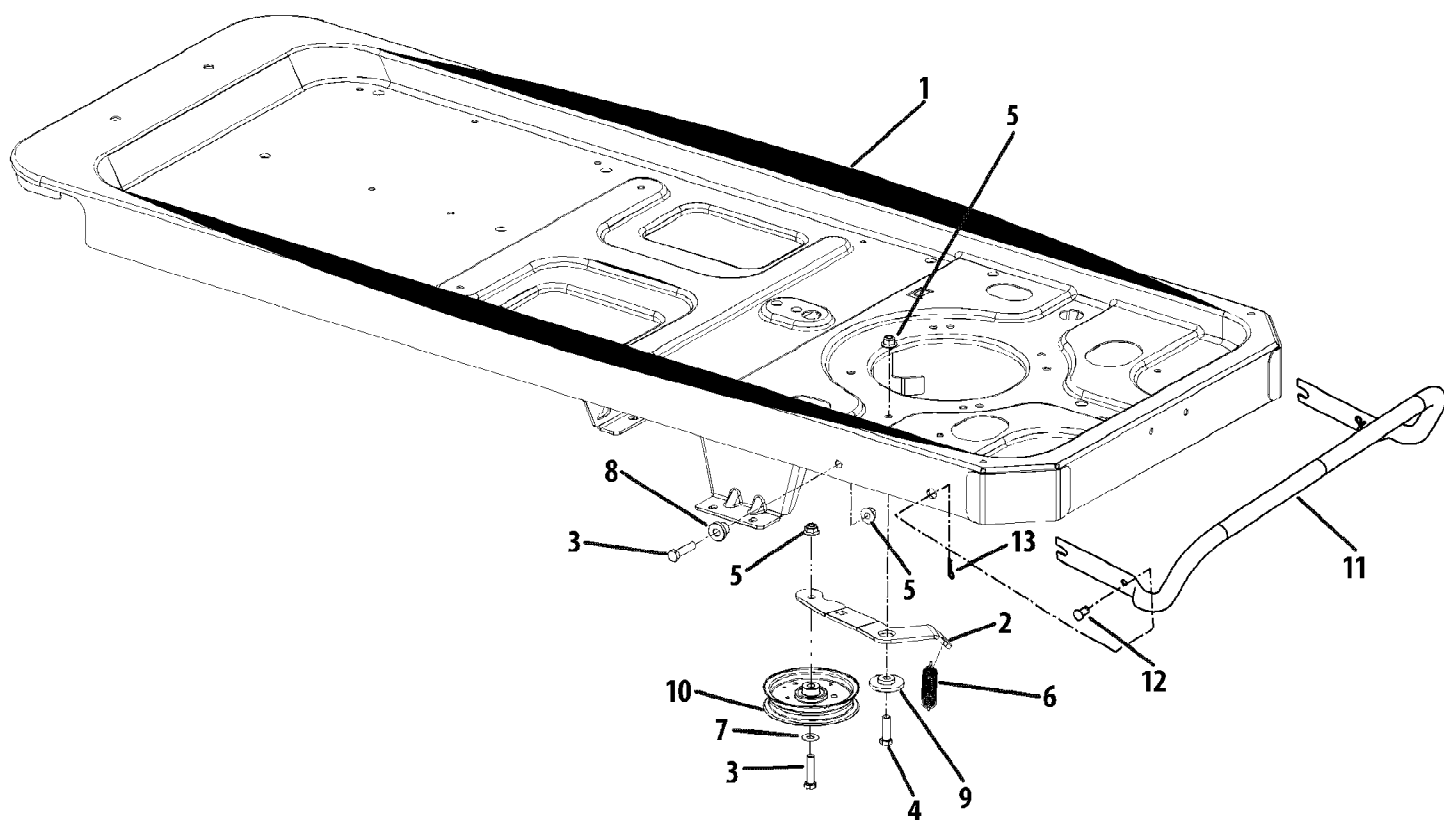
Ref #	Part Number	Qty	S/P/F	Description
187A	BS-791766	1	S	Line-Fuel (15" Long)(Cut To Required Length)
187E	BS-791801	1		Line-Fuel (Molded)
267A	BS-695134	1		Screw (Casing Clamp)
304C	BS-792301	1		Housing-Blower (Black)
305B	BS-790690	1		Screw (Blower Housing) (Blower Housing To Intake Elbow)
358A	BS-694012	1		Gasket Set-Engine
405A	BS-697820	1		Screw (Back Plate)
431D	BS-792297	1		Elbow-Intake
445B	BS-792105	1	/P	Filter-Air Cleaner Cartridge
447A	BS-691108	1	/P	Screw (Air Guide Cover)
474A	BS-696457	1	/P	Alternator (Tri Circuit)
474B	BS-696458	1	/P	Alternator (10-16 Amp Regulated)
474C	BS-696459	1	/P	Alternator (Dual Circuit)
501A	BS-691188	1	S	Regulator
501B	BS-691185	1	S	Regulator
50A	BS-695241	1		Manifold-Intake
51A	BS-791677	1		Gasket-Intake
526A	BS-691129	1		Screw (Regulator)
526B	BS-691108	1	/P	Screw (Regulator)
552A	BS-690553	1		Bushing-Governor Crank
578A	BS-691208	1		Wire Assembly
5A	BS-792300	1	S	Head-Cylinder (Cylinder #2)
613A	BS-690297	1		Screw (Muffler)
788A	BS-793145	1		Bracket-Fuel Pump Used After Code Date 06072700
789A	BS-790544	1		Harness-Wiring
789B	BS-698330	1		Harness-Wiring
865A	BS-793205	1		Cover-Air Guide (Cylinder #2)
865B	BS-792286	1		Cover-Air Guide (Valley)
877B	BS-399916	1		Wire/Connector-Alternator
967B	BS-792303	1	/P	Filter-Pre Cleaner



ZT-50 17AK2ACP (2008)
 Engine Connections 3 Gallon Tank

Page 58 of 76

Ref #	Part Number	Qty	S/P/F	Description
1	603-04162	1		Exhaust Tube (RH)
2	603-04163	1		Exhaust Tube (RH)
3	703-05441A	1	/P	Muffler Mounting Bracket
4	710-0227	1	/P	Hex Wash. Hd. Screw #8-18 x .5
5	710-04248	1	/P	Hex Cap Screw, 7/16-20 x 4.0
6	710-04261	1		Hex Wash. Hd. Screw, #12-16 x .5
7	710-0599	1	/P	Hex Wash. Hd. Screw, 1/4-20 x .5
8	710-0726	1	/P	Hex Wash. Hd. Screw, 5/16-12 x .75
9	710-1314A	1	/P	Socket Hd. Screw, 5/16-18 x .75
10	710-1315	1	/P	Hex Wash. Hd. Screw, 3/8-16 x 1.25
11	710-3008	1	/P	Hex Cap Screw, 5/16-18 x .75
12	710-3217	1	/P	Truss Hd. Mach. Screw, #8-32 x .375
13	712-0142	1	/P	Hex Nut, #8-32
14	712-0271	1	/P	Sems Nut, 1/4-20
15	712-04063	1	/P	Hx Insert Flng. Lck. Nut, 5/16-18
16	712-3005	1	S	Hex Jam Nut, 3/8 -16
17	717-04552	1	S	Elec. PTO Clutch Assembly (50" Deck)
17	717-1774C	1	S	Elec. PTO Clutch Assembly (54" Deck)
18	721-0460	1		Exhaust Gasket
19	726-0197	1		Cable Tie
20	726-0205	1	/P	Hose Clamp
21	731-04914	1	/P	Throttle Control Knob
22	736-0148	1		Ext. Tooth Lock Washer, 3/8
23	736-0171	1	S	Lock Washer, 7/16
24	736-0300	1	S	Flat Washer, .406 x .875 x .059
25	736-04131	1	/P	Flat Washer, .438 x 1.75 x .25
26	746-04214	1	S	Choke Cable, 61Lg
27	746-1086	1	S	Throttle Cable, 39.0 Lg
28	747-04228A	1		Tank Mounting Wire
29	751-0564B	1	/P	Muffler Deflector
30	751-0616B	1	/P	Muffler
31	751-10057C	1	S	Fuel Tank, 3.0 Gal.
32	751-10349	1		Fuel Line Hose
33	751-3124B	1	S	Fuel Cap
34	751-10517	1	S	Oil Drain Valve
35	751-3141-14	1	/P	Oil Drain Extension Hose
36	751-3142	1		Oil Drain Valve Cap
37	756-04376	1		Drive Pulley Replaces 756-0978B in this application. Refer to W-158



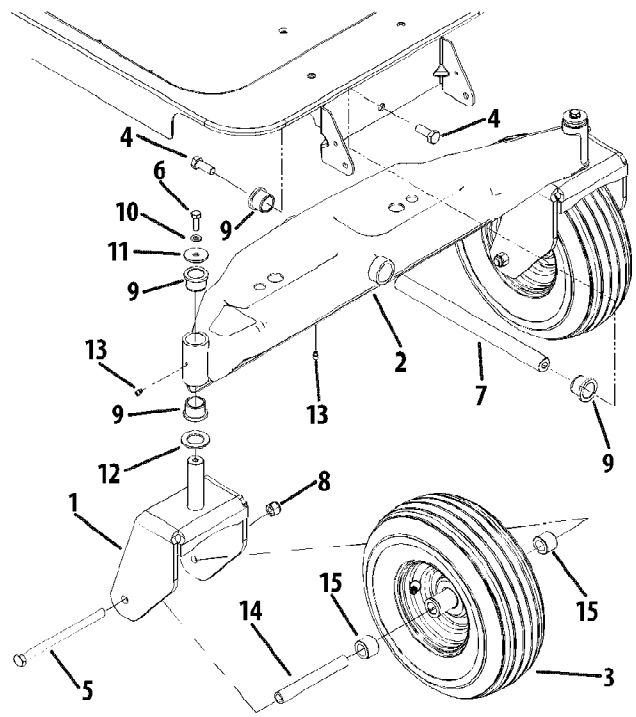
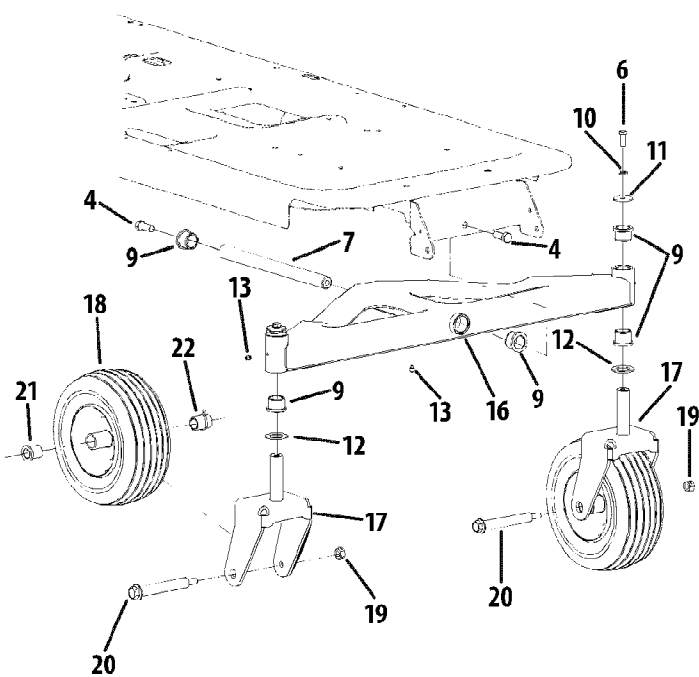
ZT-50 17AK2ACP (2008)
Frame

Page 60 of 76

Ref #	Part Number	Qty	S/P/F	Description
1	603-04303E	1		Frame Assembly
2	703-05829	1	/P	Drive Idler Arm
3	710-0520	1	/P	Hex Cap Screw, 3/8-16 x 1.5
4	710-3005	1	/P	Hex Cap Screw, 3/8-16 x 1.25
5	712-04065	1	/P	Hex Insert Flangelock Nut, 3/8 -16
6	732-0626	1		Extension Spring, .75 x 5.06
7	736-0300	1	S	Flat Washer, .408 x .875 x .059
8	738-04058	1		Shoulder Spacer, .39 x 1.0 x .7
9	738-04162A	1	/P	Shoulder Spacer, .884 x .19
10	756-04129	1	S	Idler Pulley, 4.25 Dia.
11	749-04358	1		Bumper Tube (54")
12	711-0332	1	S	Clevis Pin, .50 x .78 (54")
13	714-04023	1	S	Cotter Pin, .080 x 1.5625 (54")

42"

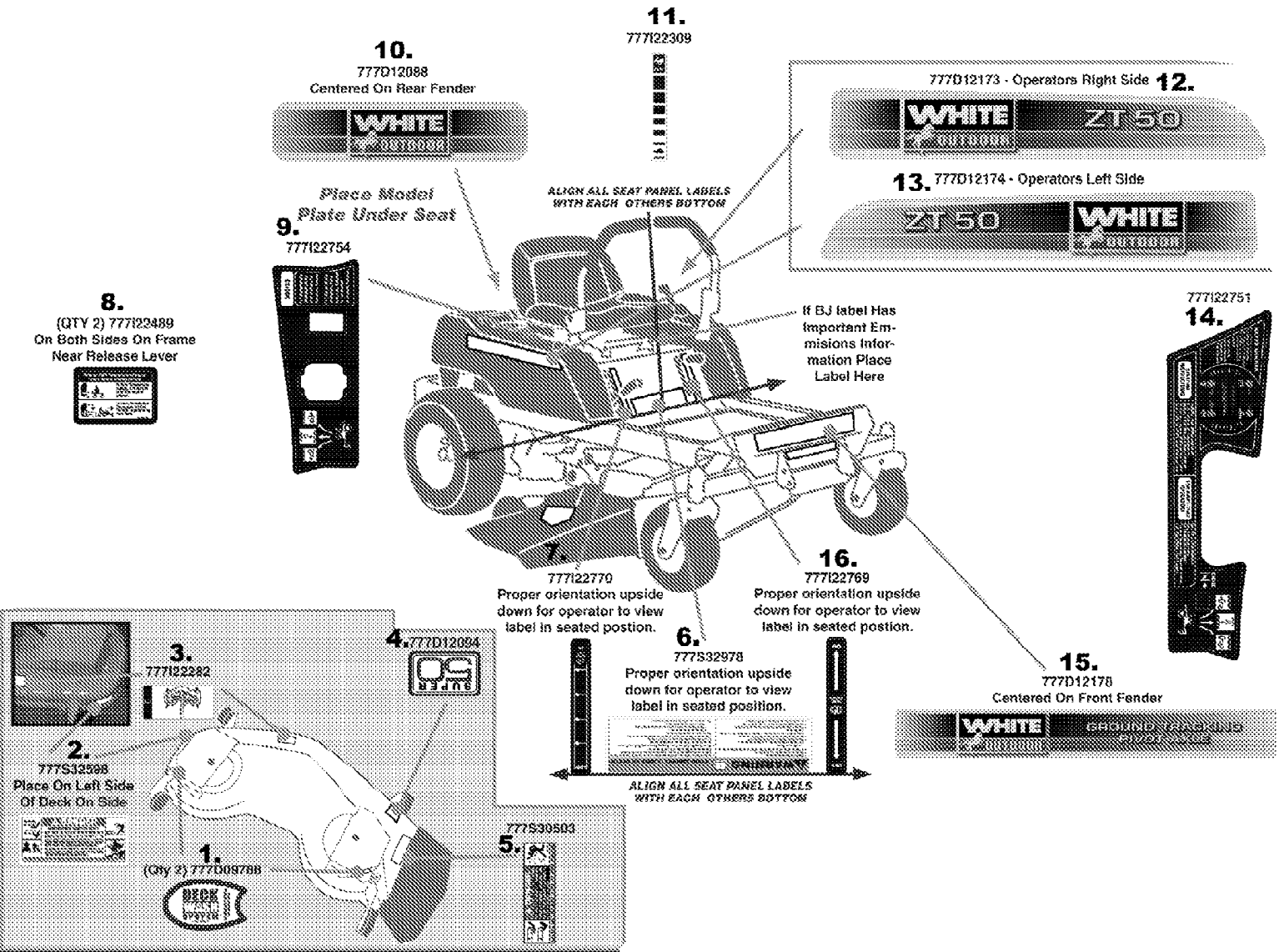
50" & 54"



ZT-50 17AK2ACP (2008)
Front Axle & Wheels

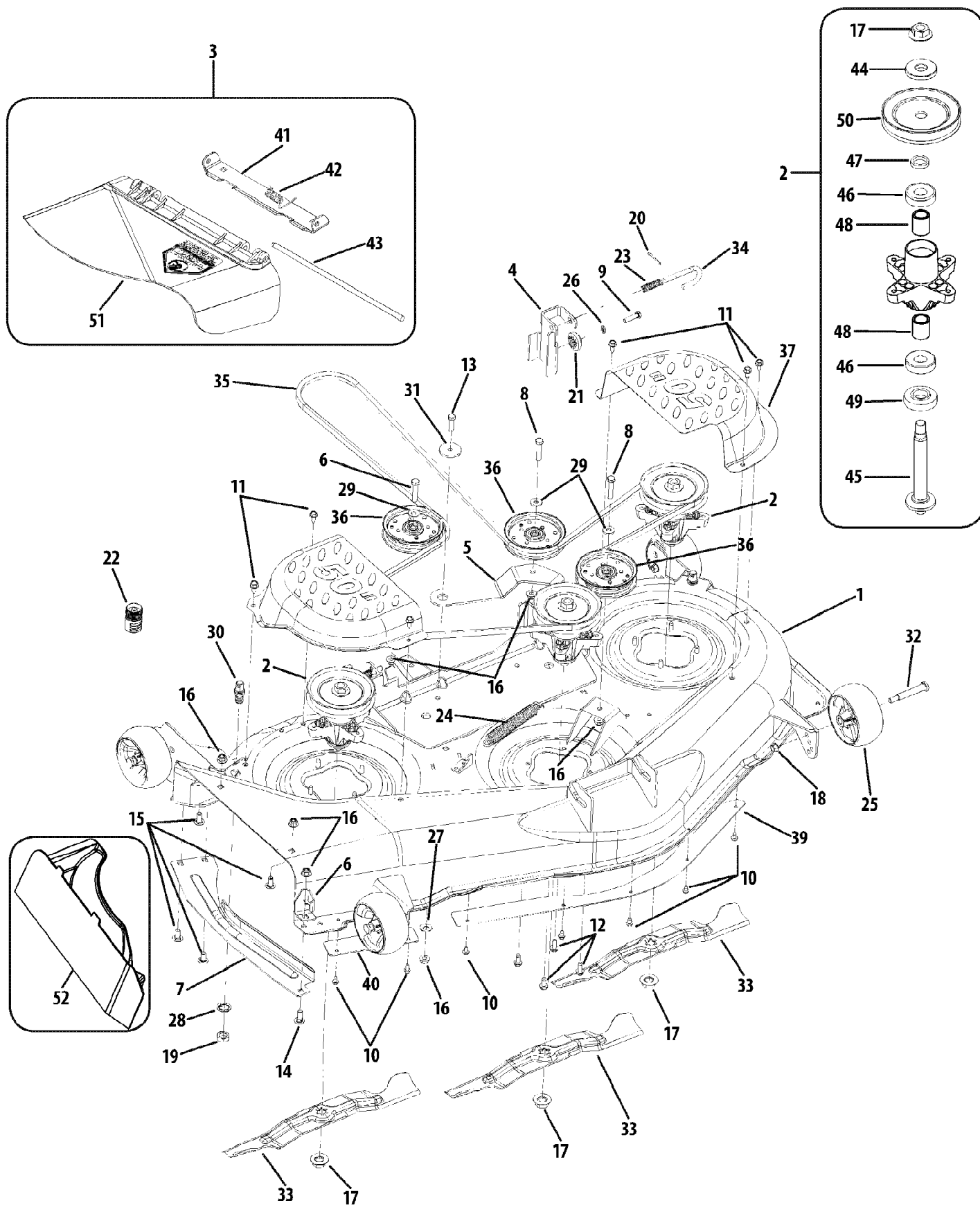
Page 62 of 76

Ref #	Part Number	Qty	S/P/F	Description
1	603-04370	1		Castor Wheel Bracket
2	603-04385	1		Front Pivot Axle
3	634-04323A	1	/P	Wheel Assembly, 13 x 5-6
3	734-04255A	1		Tire, 13 x 5-6
4	710-04186	1	/P	Hex Lock Screw, 1/2-13 x 1.25
5	710-04652	1		Hex Cap Screw, 1/2-20 x 7.25
6	710-0514	1	/P	Hex Cap Screw, 3/8 -16 x 1.0
7	711-04228	1	S	Axle Shaft
8	712-3058	1		Hex Insert Lock Nut, 1/2-13
9	731-05500	1		Flange Bearing, 1.0 x 1.246
10	736-0169	1	S	Lock Washer, 3/8
11	736-0227	1	S	Flat Washer, .39 x 1.5 x .134
12	736-0250	1	/P	Flat Washer, 1.0 x 1.75 x .10
13	737-3000	1	S	Lube Fitting, 3/16 Drive
14	750-04775A	1	/P	Spacer, .51 x .75 x 5.825
15	750-04792	1		Hub, .76 x 1.23 x .92
16	603-04148C	1		Front Pivot Axle
17	603-04308	1		Castor Wheel Bracket
18	634-04237A	1	S	Wheel Assembly, 11.0 x 4.0 x 5.0
19	712-3022	1	/P	Hex Lock Nut, 1/2-13 GRB
20	738-04182A	1	/P	Shoulder Screw, .75 x 4.75 x 7/16-14
21	741-0516B	1	/P	Flange Bearing, .76 x 1.0 x 1.2
22	741-0990B	1	/P	Flange Bearing, .76 ID w/Lube Ftg.



Ref #	Part Number	Qty	S/P/F	Description
1	777D09788	1		LABEL:RIDER:WHITE
2	777S32598	1		LABEL-RZT DECK WARNG STRAIGHT
3	777I22282	1	S	LABEL-BELT ROUTE
4	777D12094	1		LABEL-RIDER TOP DECK 50" CUT
5	777S30503	1	/P	LABEL-DANGER CHUTE
6	777S32978	1		LABEL-COMMON WARNING
7	777I22770	1		LABEL-HANDLE HEIGHT
8	777I22489	1		LABEL-TRNMSN RELEASE
9	777I22754	1		LABEL-RH CONTROL
10	777D12088	1		LABEL-RIDER REAR FENDER WHITE
11	777I22309	1		LABEL-THROTTLE
12	777D12173	1		LABEL-RZT SD POD WHITE 50" RH
13	777D12174	1		LABEL-RZT SD POD WHITE 50" LH
14	777I22751	1		LABEL-LH CONTROL
15	777D12178	1		LABEL-RZT FRONT WHITE LOGO
16	777I22769	1		LABEL-PARK BRAKE

ZT-50 17AK2ACP (2008)
Mower Deck ZT50



ZT-50 17AK2ACP (2008)
Mower Deck ZT50

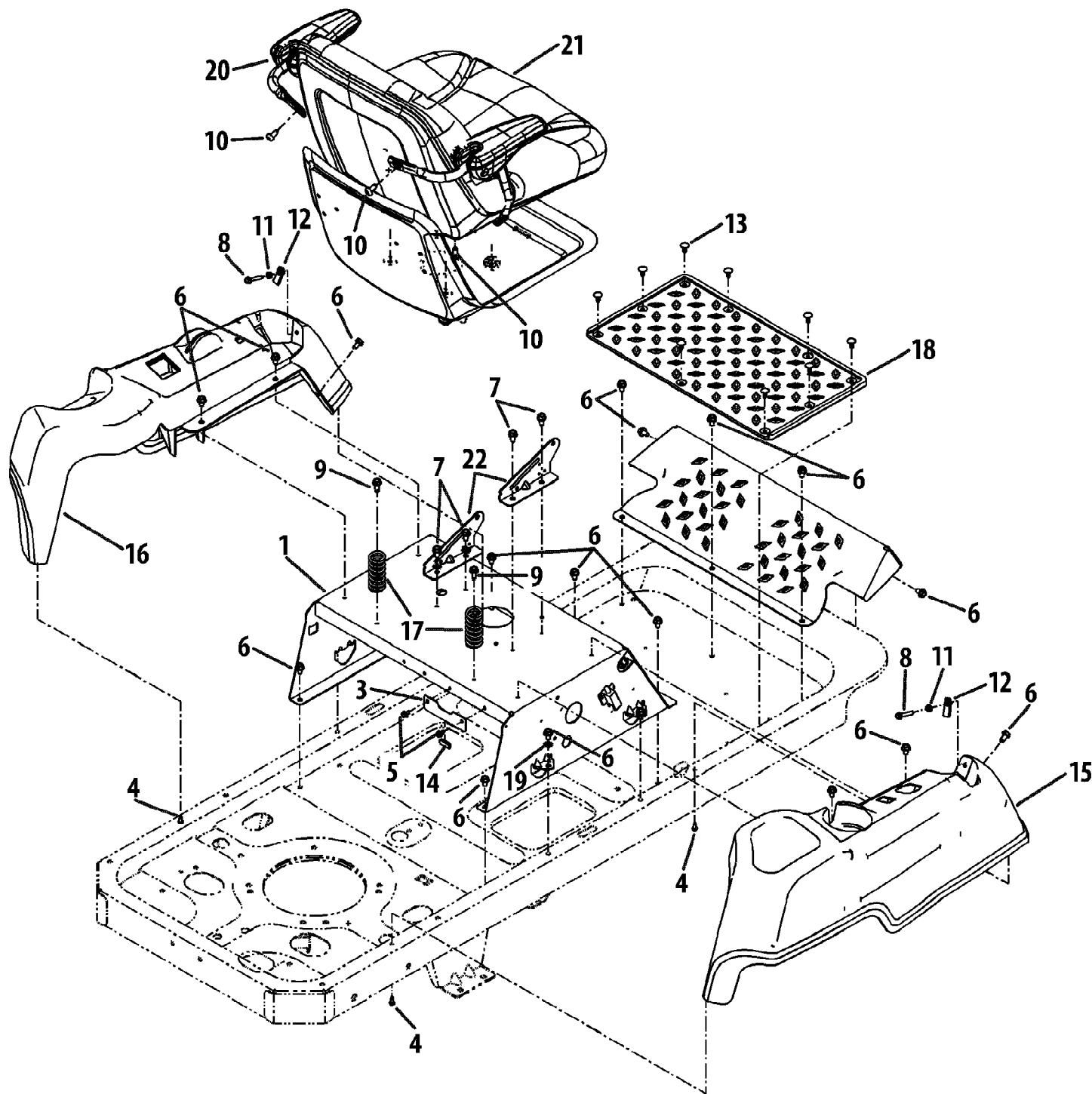
Page 66 of 76

Ref #	Part Number	Qty	S/P/F	Description
1	603-04328A	1		Deck Housing
2	618-04125A	1	S	Spindle Assembly
3	631-04070A	1	/P	Discharge Chute Assembly
4	683-0254	1	S	Deck Hanger Bracket
5	703-05825B	1		Idler Arm
6	703-3279	1		Stop Bracket
7	703-3511A	1	S	Finger Guard
8	710-0347	1	/P	Hex Cap Screw, 3/8 -16 x 1.75
9	710-0528	1	/P	Hex Cap Screw, 5/16-18 x 1.25
10	710-0599	1	/P	Hex Washer Head Screw, 1/4-20 x .5
11	710-0726	1	/P	Hex Washer Head Screw, 5/16-12 x .75
12	710-1260A	1	/P	Hex Washer Head Screw, 5/16-18 x .75
13	710-3005	1	/P	Hex Cap Screw, 3/8 -16 x 1.25
14	710-3168	1	/P	Carriage Screw, 3/8 -16 x 1.0
15	710-3178	1	/P	Carriage Screw, 3/8 -16 x .75
16	712-04065	1	/P	Hex Insert Flange Lock Nut, 3/8-16
17	712-0417A	1	/P	Hex Flange Nut, 5/8 -18
18	712-0431	1	S	Hex Flange Lock Nut, 3/8 -16
19	712-0641	1	S	Hex Nut, M16-1.5
20	714-0470	1	S	Cotter Pin, 1/8 x 1.25
21	717-04074	1	S	Deck Adjustment Gear
22	721-04041	1	S	Water Nozzle Adapter
23	732-0306A	1	S	Compression Spring
24	732-0459C	1	/P	Extension Spring, .94 Dia. x 6.74
25	734-04155	1		Deck Ball Wheel, 5.0
26	736-0119	1	S	Lock Washer, 5/16
27	736-0407	1		Bell Washer, .45 x 1.0 x .062
28	736-0225	1	/P	Internal Tooth Lock Washer, 5/8
29	736-3072	1	/P	Flat Washer, .38 x .93 x .110
30	737-04003C	1	S	Deck Wash Nozzle
31	738-04162A	1	/P	Shoulder Spacer, .884 x .190
32	738-3056	1	S	Shoulder Screw, .5 x 2.5 x 3/8 -16
33	742-04053C	1	S	Blade, 2 in 1, 17.9
34	747-1116	1	/P	Deck Hanger Rod
35	754-04044A	1		V-Belt Type A Sec x 134
36	756-04129	1	S	Idler Pulley, 4.25 Dia
37	783-04399	1		Belt Cover, LH
38	783-04400	1		Belt Cover, RH
39	783-04414	1	S	Center Skirt
40	783-04415	1		Skirt RH
41	783-05030	1		Chute Mounting Bracket
42	732-04372	1		Torsion Spring
43	711-04565	1		Hinge Pin
44	736-0315	1	/P	Flat Washer, .76 x 1.50 x .12
45	738-1010A	1	/P	Spindle Shaft, 5.75
46	741-0919	1	S	Ball Bearing
47	748-0160A	1		Spacer, .79 x 1.25 x .175
48	750-1000	1		Spacer, .80 x 1.10 x 1.32
49	750-1349A	1	/P	Spacer, .79 x 1.82 x .55
50	756-04216	1		V-Type Pulley, 5.39
51	N/A	1		Chute Deflector Order Ref. No. 3
52	731-04651	1		Mulch Plug

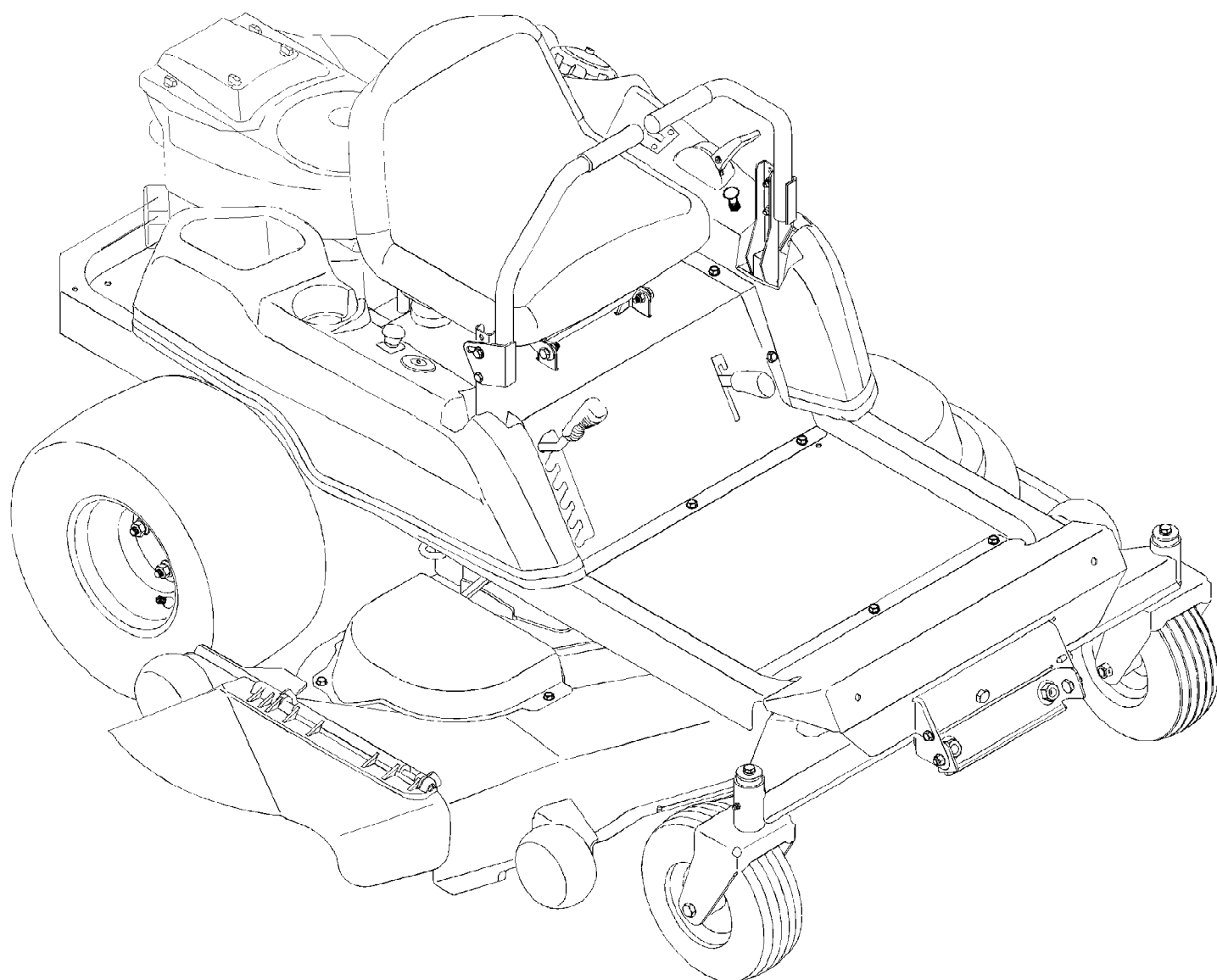
ZT-50 17AK2ACP (2008)
Operators Control

Page 68 of 76

Ref #	Part Number	Qty	S/P/F	Description
1	603-04160B	1	S	Deck Lift Shift Assembly
2	603-04322	1		Lapbar Lever Assembly (RH)
3	603-04324	1		Lapbar Lever Assembly (LH)
4	703-05387B	1	/P	Lapbar Pivot Bracket
5	703-05396A	1	S	Brake Handle
6	703-05414A	1		Front Deck Hanger Bracket
7	703-05793A	1		Deck Lift Arm Plate
8	703-06096	1		Switch Actuator Bracket
9	703-06169	1	S	Lift Link Plate, 5.50 Lg
10	710-0433	1	/P	Hex Lock Screw, 1/4-20 x .625
11	710-3005	1	/P	Hex Screw, 3/8 -16 x 1.25
12	710-3008	1	/P	Hex Screw, 5/16-18 x .75
13	710-3180	1	/P	Hex Screw, 5/16-18 x 1.75
14	711-0832	1	S	Ferrule, 3/8 -24 x .375
15	712-0206	1	S	Hex Nut, 1/2-13
16	712-04063	1	/P	Flange Lock Nut, 5/16-18
17	712-04064	1	/P	Flange Lock Nut, 1/4-20
18	712-04065	1	/P	Flange Lock Nut, 3/8 -16
19	712-0431	1	S	Flange Lock Nut, 3/8-16
20	714-0104	1	S	Cotter Pin, .072 x 1.13
21	716-0106	1	/P	E-Ring, .625
22	720-0274	1	/P	Grip, 1.0 x 5.0
23	720-0311	1		Handle Grip, 1/2
24	731-04735	1		Selector Handle
25	731-05732	1		Spacer, .62 x 1.00
26	732-0334	1	S	Compression Spring, .50 x .50
27	732-04420	1		Torsion Spring, 1.194 (50" & 54")
28	732-04432	1		Extension Spring, .59 x 4.00 (54")
29	732-0874	1	/P	Torsion Spring
30	736-0270	1	/P	Bell Washer, .265 x .75 x .062
31	736-0272	1	S	Flat Washer, .510 x 1.00 x .060
32	736-0275	1	S	Flat Washer, .344 x .688 x .065
33	736-3019	1		Flat Washer, .531 x 1.062 x .134
34	738-0143	1	/P	Shoulder Screw, .496 x .336 x 3/8-16
35	738-0296	1	S	Shoulder Screw, .437 x .268 x 5/16-18
36	738-0507B	1	S	Shoulder Screw, .500 x .434
37	738-0572	1	S	Shoulder Screw, .374 x 1.16
38	741-0225	1	S	Hex Flange Bearing
39	741-3074	1		Flange Bearing, .626 x .938 x .344
40	747-04225A	1	/P	Lapbar Control Rod
41	747-04226	1	S	Shaft Control
42	747-04401A	1		Deck Lift Front Hanger Rod
43	747-04637	1		Deck Lift Handle Rod
44	747-04651	1		Brake Rod (54")
45	748-04169	1		Control Hub
46	748-04169	1		Brake Rod Assembly (42" & 50")



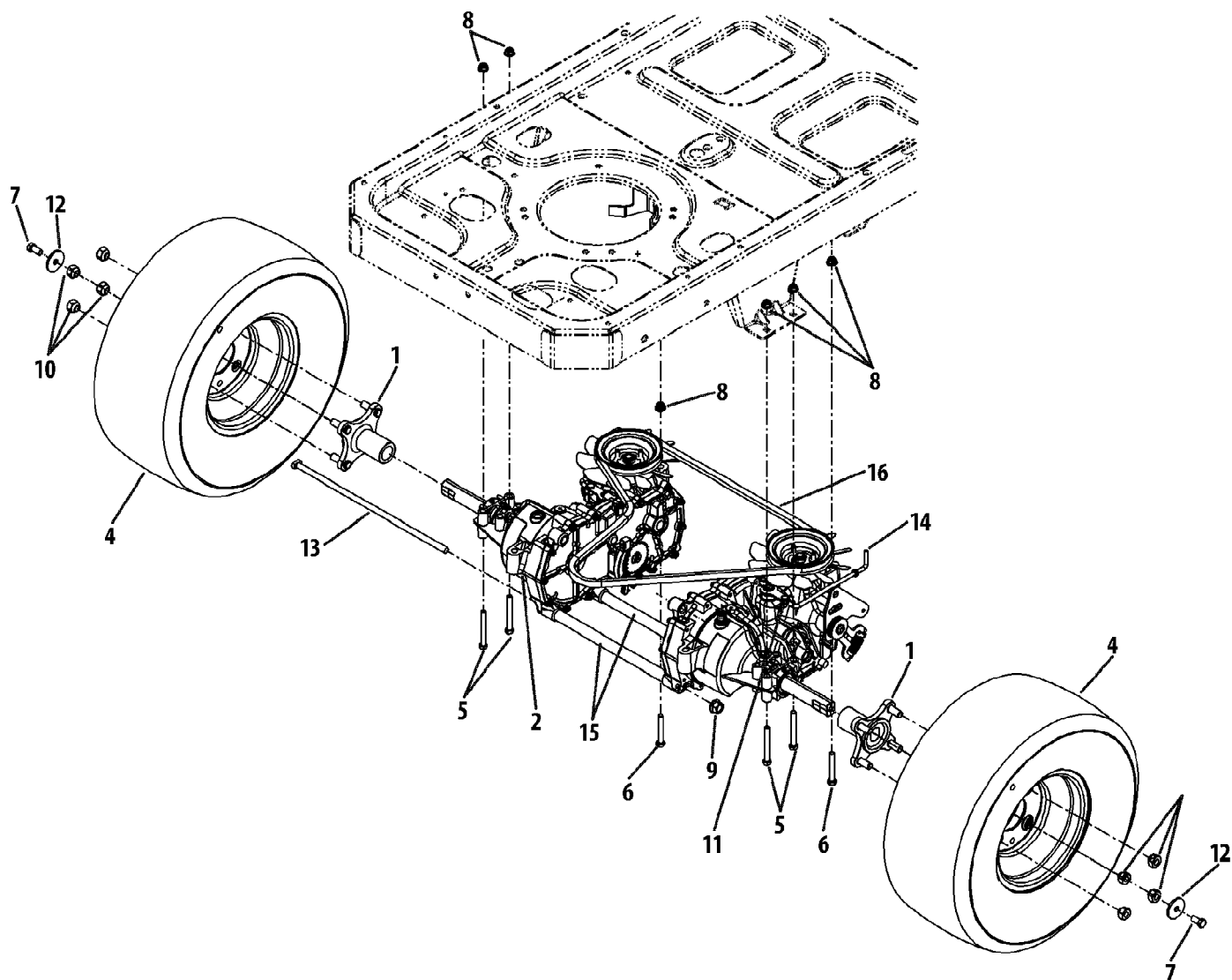
Ref #	Part Number	Qty	S/P/F	Description
1	603-04447A	1		Seat Frame Assembly
2	703-05373B	1		Foot Rest Bracket
3	703-05894	1	S	Battery Hold Down Bracket
4	710-04261	1		Hex Washer Hd. Screw, #12-16 x .50
5	710-0599	1	/P	Hex Washer Hd. Screw, 1/4-20 x .500
6	710-0604A	1	/P	Hex Washer Hd. Screw, 5/16-18 x .625
7	710-0726	1	/P	Hex Washer Hd. Screw, 5/16-12 x .750
8	710-0778	1	/P	Hex Wshr. Hd. Screw, 1/4-20 x 1.500
9	710-1260A	1	/P	Hex Wshr. Hd. Screw, 5/16-18 x .750
10	710-1611B	1	/P	Hex Screw, 5/16-18 x .750 54" Deck
11	712-0298	1	S	Jam Nut, 1/4-20
12	712-04092	1		Speed Nut, 1/4-20
13	728-3046	1		Ratchet Clip, .250
14	731-0511	1	/P	Trim Strip
15	731-06309	1	S	Console (RH) Oyster Gray 54" Deck, 42" & 50" Deck with Gray Console & Seat
15	731-04662D	1	S	Console (RH) Black 42" & 50" Deck with Black Console & Seat
16	731-06310	1	S	Console (LH) Oyster Gray 54" Deck, 42" & 50" Deck with Gray Console & Seat
16	731-04663C	1	S	Console (LH) Black 42" & 50" Deck with Black Console & Seat
17	732-04035	1		Compression Spring, 1.28 x 3.125
18	735-04082	1		Foot Pad
19	736-0148	1		External Tooth Lock Washer, 3/8
20	757-04046	1		Arm Rest Kit 54" Deck, Use with 757-04077 Seat
21	757-04077	1		High Back Seat, Gray 54" Deck, Arm rest capable, order separately
21	757-04075	1		High Back Seat, Gray 42" & 50" Deck with Gray Console & Seat
21	757-04041	1		High Back Seat, Black 42" & 50" Deck with Black Console & Seat
22	783-1489C	1		Seat Bracket



ZT-50 17AK2ACP (2008)
Quick Reference ZT50

Page 72 of 76

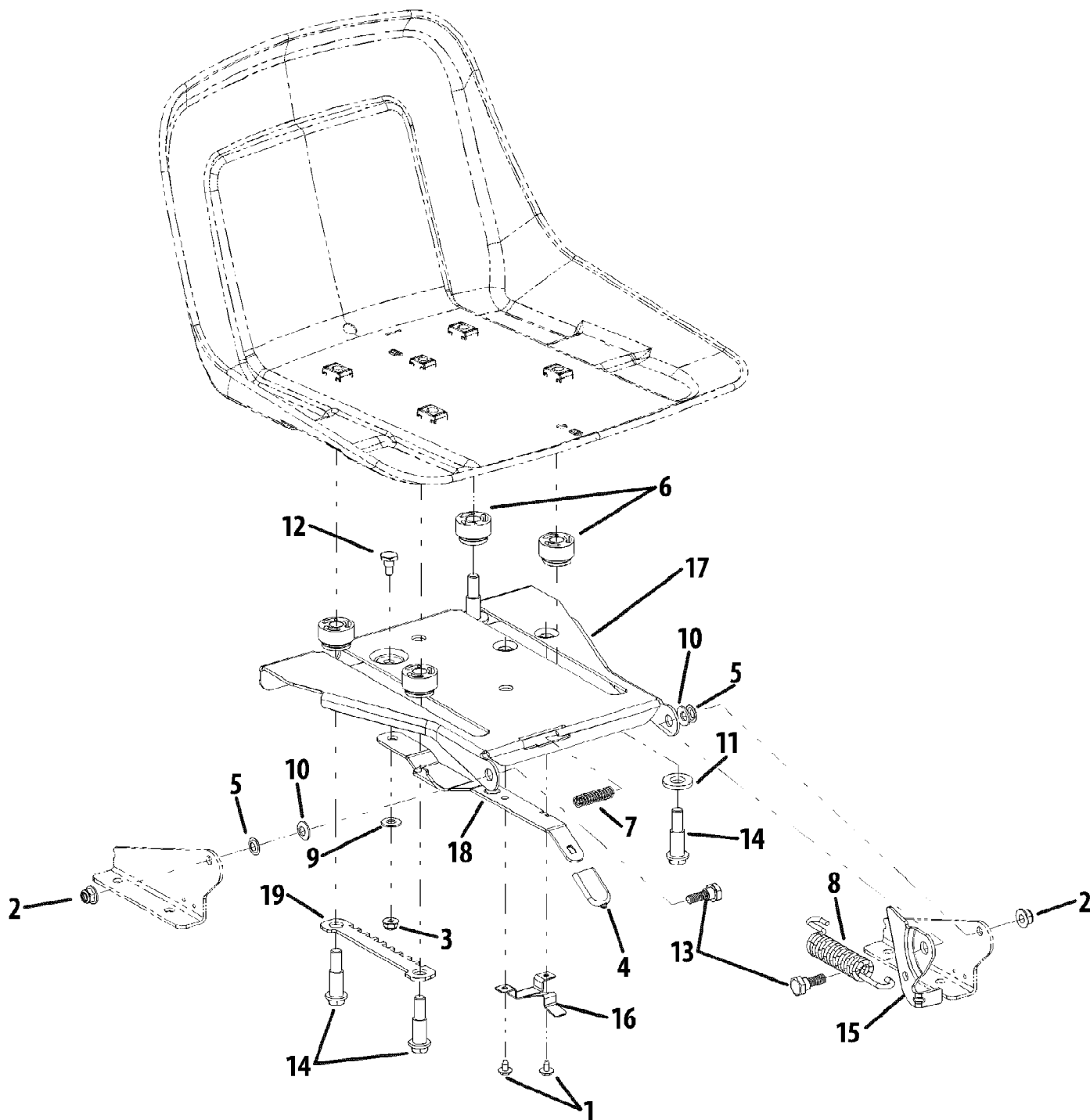
Ref #	Part Number	Qty	S/P/F	Description
	NA	1		OIL FILTER
	BS-792105	1	/P	AIR FILTER
	BS-792303	1	/P	PRE-CLEANER ELEMENT
	759-3336	1	/P	SPARK PLUG
	BS-695666	1	S	FUEL FILTER
	942-04053C	3	/P	BLADES
	712-0417A	1	/P	BLADE NUT
	NA	1		UPPER DRIVE BELT
	954-04043A	1	/P	LOWER DRIVE BELT
	954-04044A	1	/P	DECK SPINDLE BELT
	NA	1		ENGINE TO DECK BELT
	918-04125A	3	S	DECK SPINDLES
	925-1745	1	S	IGNITION KEYS
	725-04439	1		SOLENOID
	951-3124D	1	S	FUEL CAP
	734-04155	4		DECK WHEELS
	NA	1		BALL JOINTS
	741-0516B	1	/P	WHEEL BUSHINGS
	741-0990B	1	/P	WHEEL BUSHINGS in board
	725-04363	1		SAFETY SWITCH-DECK
	725-04363	1		SAFETY SWITCH-BRAKE/CLUTCH
	737-04003C	1	S	WATER NOZZLE ADAPTER
	590-303-000	1		Double Bagger
	190-193-000	1		Mulch Plug



ZT-50 17AK2ACP (2008)
Rear Drive & Wheels ZT42 & ZT50

Page 74 of 76

Ref #	Part Number	Qty	S/P/F	Description
1	618-04317	1	S	Wheel Hub
2	618-04431A	1	S	Transmission Assembly (LH)
3	618-04432A	1	S	Transmission Assembly (RH)
4	634-04294	1		Wheel Assembly, 18 x 6.5 x 8 ZT-42
4	734-04246	1		Tire, 18 x 6.5 x 8 ZT-42, Not shown
4	734-0255	1	S	Valve Assembly, ZT-42, Not shown
4	634-04171	1	S	Wheel Assembly, 18 x 9.5 x 8 ZT-50
4	734-1729	1		Tire, 18 x 9.5 x 8 ZT-50, Not shown
4	603-04175	1		Rim Assembly ZT-50, Not shown
4	734-0255	1	S	Valve Assembly ZT-50, Not shown
5	710-0176	1	/P	Hex Cap Screw, 5/16-18 x 2.75
6	710-0395	1	/P	Hex Cap Screw, 5/16-18 x 2.25
7	710-3119	1	/P	Hex Cap Screw Lock, 3/8 -16 x .75
8	712-04063	1	/P	Hx Flnge Insert Lck Nut, 5/16-18
9	712-0459	1	/P	Hex Flange Lock Nut, 7/16-20
10	712-3050	1	/P	Lug Nut, 7/16-14
11	714-0507	1	S	Cotter Pin, 3/32 x .75
12	736-0227	1	S	Flat Washer, .39 x 1.5 .134
13	738-04192	1		Rod, .405 x 14.0
14	747-04217C	1	S	Bypass Rod
15	750-04561	1		Tube, .45 x .69 x 10.2
16	754-04043	1	S	Type A Sec V-Belt x 57.7



ZT-50 17AK2ACP (2008)
Seat Adjustment

Page 76 of 76

Ref #	Part Number	Qty	S/P/F	Description
1	710-1268	1	/P	Hex Hd. Wshr Screw, #10-16 x .375
2	712-04063	1	/P	Flangelock Nut, 5/16-18
3	712-04064	1	/P	Flangelock Nut, 1/4-20
4	720-0309A	1	/P	Seat Adjustment Grip
5	726-0201	1		Speed Nut, .3125
6	731-04074	1		Seat Adjustment Spacer
7	732-0499	1		Compression Spring, .41 x 1.50
8	732-1184	1	/P	Extension Spring, .84 x 4.6
9	736-0204	1	/P	Flat Washer, .344 x .62 x .033
10	736-0242	1	/P	Bell Washer, .340 x .872 x .060
11	736-3019	1		Flat Washer, .531 x 1.062 x .134
12	738-0137A	1	S	Shoulder Screw, .340 x .285 x 1/4-20
13	738-0296	1	S	Shoulder Screw, .437 x .268 x 5/16-18
14	738-0966A	1	/P	Shoulder Bolt, .50 x .925 x 3/8 -16
15	783-0209D	1	/P	Seat Lift Bracket
16	783-0611	1		Seat Adjustment Stop
17	783-0738D	1	/P	Seat Pivot Bracket
18	783-0739A	1	S	Seat Adjustment Lever
19	783-0753	1		Seat Adjustment Selector