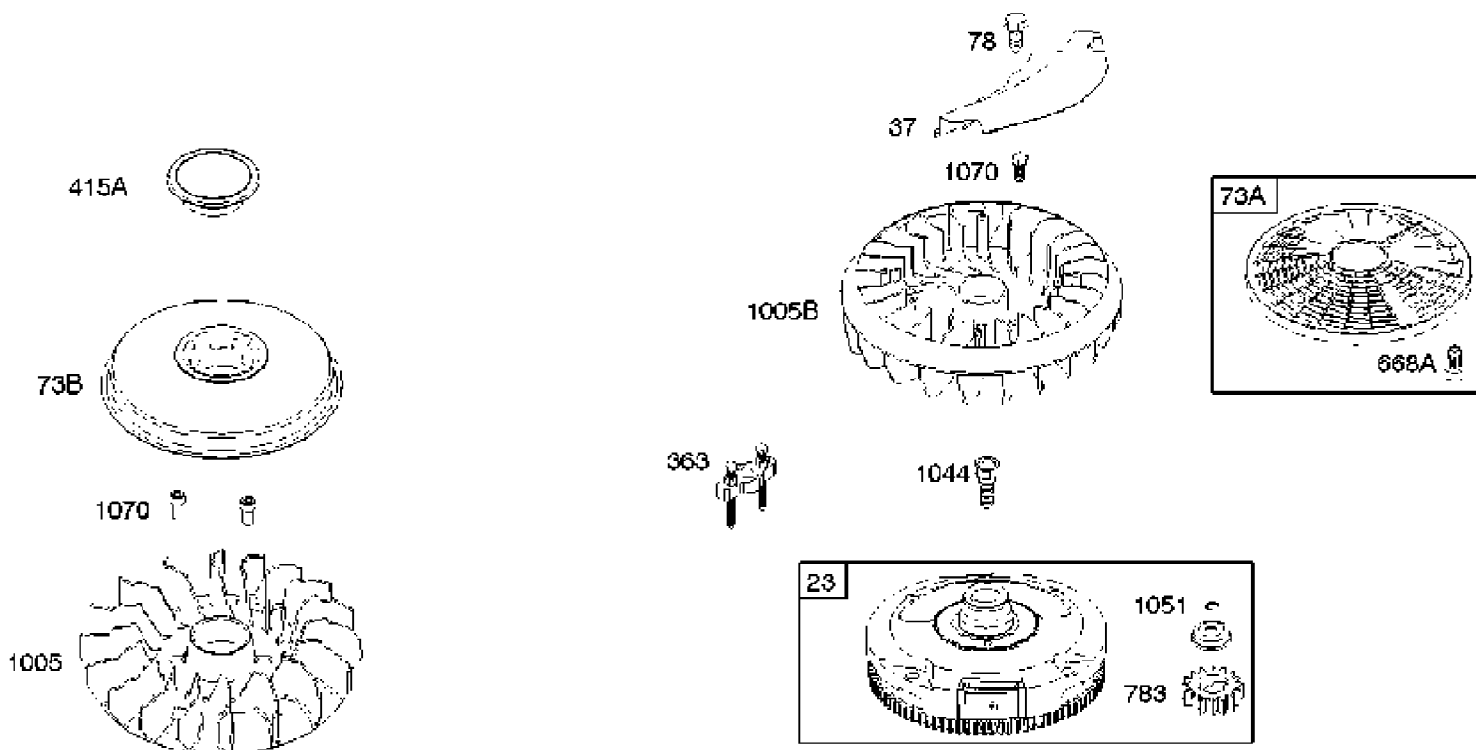


ZT-42 17AJ2ACG (2008)
Electrical

Page 2 of 58

Ref #	Part Number	Qty	S/P/F	Description
1	710-0227	1	/P	Hex Washer Screw, #8-18 x .500
2	710-0653	1	/P	Hex Washer Screw, 1/4-20 x .375
3	710-3015	1	/P	Hex Screw, 1/4-20 x .75
4	712-0271	1	/P	Sems Nut, 1/4-20
5	725-04022B	1	S	Hour Meter
6	725-04165	1	S	Double Pole — Neutral Switch
7	725-04174	1	S	Electric PTO Switch
8	725-04228	1	S	Key Switch
9	725-04363	1		Interlock Switch
10	725-04439	1		Solenoid
11	725-04621A	1	S	Wire Harness
12	725-1303	1	S	Outer Seat Spring Switch
13	725-1439	1		Inner Seat Spring Switch
14	725-1737A	1	S	Battery, 195 CC Wet
15	725-1745	1	S	Key
16	726-0278	1		Insulator Boss Plate
17	726-0279	1		Insulator Plate
18	726-0470	1		Cable Tie, 19 x 8.39"
19	738-04237A	1		Shoulder Screw, #10-32 x .500



ZT-42 17AJ2ACG (2008)
Engine Assembly 1 G

Page 4 of 58

Ref #	Part Number	Qty	S/P/F	Description
1	BS-793987	1		Cylinder Assembly
2	BS-399265	1		Kit-Bushing/Seal (Magneto Side)
3	BS-391086S	1	/P	Seal-Oil (Magneto Side)
5	BS-794223	1	S	Head-Cylinder
6	BS-690310	1		Washer (Cylinder Head) Used After Code Date 07010900
7	BS-794114	1		Gasket-Cylinder Head
9	BS-697109	1		Gasket-Breather (After Date Code Use Liquid Sealant Reference 850) Used Before Code Date 07071900
10	BS-697157	1		Screw (Breather Assembly)
11	BS-794683	1		Tube-Breather Used After Code Date 07071800
11	BS-697113	1		Tube-Breather Used Before Code Date 07071900
12	BS-697110	1		Gasket-Crankcase
13	BS-793988	1		Screw (Cylinder Head) Used After Code Date 07010900
13	BS-690360	1		Screw (Cylinder Head) Used Before Code Date 07011000
15	BS-691680	1	/P	Plug-Oil Drain (Square Socket)
15	BS-690946	1	/P	Plug-Oil Drain (Square Head)
16	BS-697516	1	S	Crankshaft
20	BS-791892	1		Seal-Oil (PTO Side)
22	BS-692125	1		Screw (Crankcase Cover/Sump)
23	BS-693556	1		Flywheel
24	BS-222698S	1	/P	Key-Flywheel
25	BS-792648	1	S	Piston Assembly (.020 Oversize)
25	BS-791937	1	/P	Piston Assembly (Standard)
26	BS-791936	1		Ring Set (Standard)
26	BS-792649	1		Ring Set (.020 Oversize)
27	BS-698469	1		Lock-Piston Pin
28	BS-697099	1		Pin-Piston
29	BS-794571	1	/P	Rod-Connecting (Standard)
29	BS-697264	1		Rod-Connecting (.020" Undersize) Used Before Code Date 05040400
32	BS-791118	1		Screw (Connecting Rod)
33	BS-792868	1		Valve-Exhaust Used After Code Date 06011900
33	BS-698370	1		Valve-Exhaust Used Before Code Date 06012000
34	BS-791935	1		Valve-Intake Used After Code Date 06011900
34	BS-695761	1		Valve-Intake Used Before Code Date 06012000
35	BS-691279	1		Spring-Valve (Intake)
36	BS-691279	1		Spring-Valve (Exhaust)

ZT-42 17AJ2ACG (2008)
Engine Assembly 1 G

Page 5 of 58

Ref #	Part Number	Qty	S/P/F	Description
37	BS-699882	1		Guard-Flywheel
42	BS-499586	1		Keeper-Valve
43	BS-691968	1		Slinger-Governor/Oil
45	BS-690564	1		Tappet-Valve
46	BS-793880	1		Camshaft
50	BS-690193	1		Manifold-Intake
51	BS-692137	1		Gasket-Intake
53	BS-690227	1		Stud (Carburetor)
54	BS-691148	1		Screw (Intake Manifold)
74	BS-691674	1		Screw (Rotating Screen)
78	BS-691003	1		Screw (Flywheel Guard)
81	BS-691178	1		Lock-Muffler Screw
93	BS-690602	1		Bushing-Throttle Shaft
94	BS-498030	1		Kit-Idle Mixture
95	BS-691636	1	/P	Screw (Throttle Valve)
98	BS-495800	1		Kit-Idle Speed
104	BS-690525	1	/P	Pin-Float Hinge
105	BS-231855S	1		Valve-Float Needle
106	BS-690577	1		Seat-Inlet (Gravity Feed Carburetor)
106	BS-691780	1	/P	Seat-Inlet (Pump Feed Carburetor)
108	BS-692344	1		Valve-Choke
117	BS-694352	1		Jet-Main (Standard)
118	BS-697228	1		Jet-Main (High Altitude)
121	BS-697241	1	/P	Kit-Carb Overhaul (Walbro)
127	BS-695005	1		Plug-Welch
130	BS-691750	1		Valve-Throttle
131	BS-790901	1		Kit-Throttle Shaft
133	BS-494381	1	/P	Float-Carburetor
135	BS-698780	1		Tube-Fuel Transfer (Nikki)(Gravity Feed)
135	BS-792022	1		Tube-Fuel Transfer (Nikki)(Pump Feed)
137	BS-281165S	1	/P	Gasket-Float Bowl
141	BS-790902	1		Kit-Choke Shaft
142	BS-697140	1		Nozzle-Carburetor (Standard)
146	BS-691639	1		Key-Timing
186	BS-794873	1		Connector-Hose
187	BS-791805	1	/P	Line-Fuel (Formed)(10-1/4" Long)(Cut to Required Length)
192	BS-691986	1		Adjuster-Rocker Arm
238	BS-691843	1		Cap-Valve
239	BS-697049	1		Switch-Oil Pressure
276	BS-692255	1		Washer-Sealing
305	BS-697102	1		Screw (Blower Housing)
306	BS-794953	1		Shield-Cylinder
307	BS-691003	1		Screw (Cylinder Shield)
337	759-3336	1	/P	Plug-Spark
344	BS-693675	1		Screw (Cable Clamp)
358	BS-792621	1		Gasket Set-Engine
363	BS-19203	1		Puller-Flywheel
383	BS-89838S	1	/P	Wrench-Spark Plug
385	BS-694476	1		Screw (Fuel Pump)
387	BS-697090	1		Pump-Fuel
415	BS-690283	1		Plug (Engine Sump)

ZT-42 17AJ2ACG (2008)
Engine Assembly 1 G

Page 6 of 58

Ref #	Part Number	Qty	S/P/F	Description
523	BS-699908	1		Dipstick
524	BS-691032	1		Seal-Dipstick Tube
525	BS-697085	1		Tube-Dipstick
552	BS-697144	1		Bushing-Governor Crank
584	BS-697112	1		Cover-Breather Passage Used Before Code Date 07071900
584	BS-794682	1		Cover-Breather Passage (Use with Liquid Sealant Reference 850) Used After Code Date 07071800
601	BS-791850	1	/P	Clamp-Hose
613	BS-691416	1		Screw (Muffler)
617	BS-692138	1		Seal-O Ring (Intake Manifold)
634	BS-690802	1	/P	Spring/Seal Assembly
635	BS-691909	1		Boot-Spark Plug
643	BS-698401	1		Retainer-Air Filter
654	BS-690958	1	/P	Nut (Carburetor)
691	BS-692407	1		Seal-Governor Shaft
692	BS-690572	1	/P	Spring-Detent
718	BS-690959	1	/P	Pin-Locating
741	BS-697128	1		Gear-Timing
750	BS-790832	1		Screw (Oil Pump Cover)
757	BS-793242	1		Link-Counterweight
758	BS-793763	1		Counterweight
759	BS-697392	1		Pin-Counterweight
783	BS-693713	1		Gear-Pinion
823	BS-698941	1		Screw (Muffler Adapter)
830	BS-691095	1		Stud-Rocker Arm
842	BS-691031	1	/P	Seal-O Ring (Dipstick Tube)
847	BS-790443	1		Dipstick/Tube Assembly
850	BS-100100	1		Sealant-Liquid (Rocker Cover Gasket and Breather Gasket) Used After Code Date 07071800
868	BS-690968	1		Seal-Valve
883	BS-692236	1	/P	Gasket-Exhaust
914	BS-691108	1	/P	Screw (Rocker Cover)
918	BS-791851	1	/P	Hose-Vacuum
918	BS-791851	1	/P	Hose-Vacuum
943	BS-690589	1		Seal-O Ring (Oil Pump Cover)
947	BS-694393	1		Solenoid-Fuel
950	BS-691657	1	/P	Screw-Float Bowl
965	BS-499613	1		Cover-Oil Pump
975	BS-495933	1	/P	Bowl-Float
977	BS-690192	1		Gasket Set-Carburetor
987	BS-691326	1	/P	Seal-Throttle Shaft
1005	BS-794121	1		Fan-Flywheel
1017	BS-690770	1		Screen-Oil Pump (Push In)
1022	BS-272475S	1		Gasket-Rocker Cover (After Date Code Use Liquid Sealant Reference 850) Used Before Code Date 07091000
1023	BS-791079	1		Cover-Rocker
1024	BS-499054	1		Cover-Oil Pump Used Before Code Date 07051700

ZT-42 17AJ2ACG (2008)
Engine Assembly 1 G

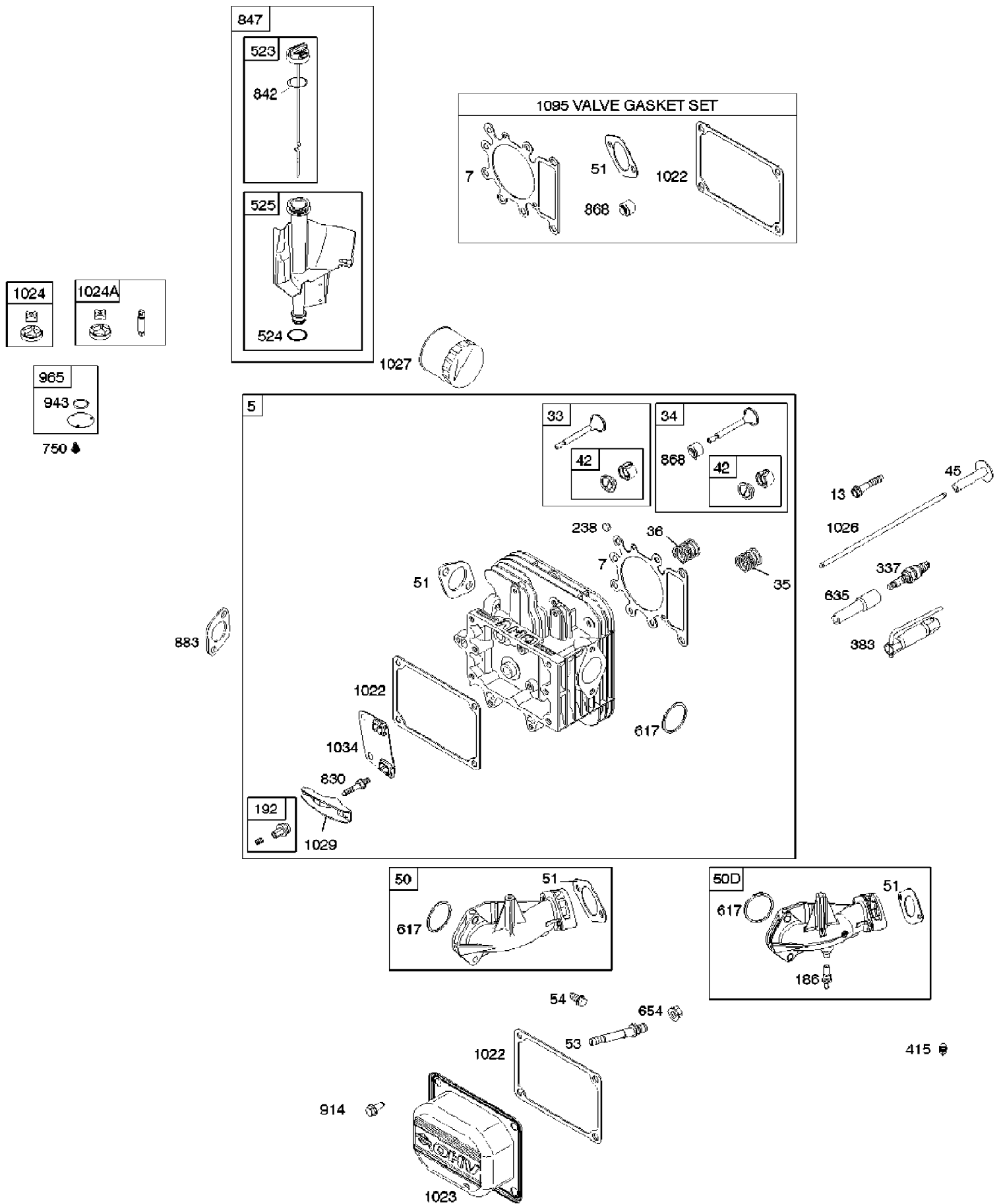
Page 7 of 58

Ref #	Part Number	Qty	S/P/F	Description
1026	BS-692011	1		Rod-Push (Exhaust)
1026	BS-692003	1		Rod-Push (Intake)
1027	BS-696854	1	/P	Filter-Oil
1029	BS-691751	1		Arm-Rocker
1034	BS-690822	1		Guide-Push Rod
1036		1		Label-Emissions (Available From A Briggs & Stratton Authorized Dealer)
1044	BS-698139	1		Screw (Flywheel)
1051	BS-691265	1		Ring-Retaining
1058	BS-276344	1		Operator's Manual
1070	BS-690363	1		Screw (Flywheel Fan)
1091	BS-691333	1	/P	Cap-Limiter
1095	BS-690190	1		Gasket Set-Valve
1127	BS-695407	1		Screw (Float Bowl to Carburetor Body)
1263	BS-697124	1		Reed-Breather
1264	BS-697104	1		Screw (Breather Reed)
1266	BS-691917	1		Seal-O Ring (Intake Elbow)
1267	BS-697575	1		Latch-Blower Housing
1270	BS-697156	1		Plug-AVS Counterweight
1279	BS-691108	1	/P	Screw (Blower Housing Support)
1319	BS-794467	1		Label-Warning
1024A	BS-794644	1		Pump-Oil Used After Code Date 07051600
104A	BS-694918	1		Pin-Float Hinge
105A	BS-696136	1		Valve-Float Needle
108B	BS-695419	1		Valve-Choke
117A	BS-699732	1		Jet-Main (Standard)
118A	BS-843099	1		Jet-Main (High Altitude)
121A	BS-699521	1	S	Kit-Carb Overhaul (Nikki Carburetor)
125A	BS-792358	1	S	Carburetor (Nikki)(Gravity Feed)
1265A	BS-794151	1		Support-Blower Housing
1266A	BS-697123	1		Seal-O Ring (Intake Elbow)
127A	BS-690727	1		Plug-Welch
130A	BS-699500	1		Valve-Throttle
131A	BS-699501	1		Kit-Throttle Shaft
133A	BS-694914	1		Float-Carburetor
137A	BS-698781	1		Gasket-Float Bowl
141B	BS-695420	1		Kit-Choke Shaft
240A	BS-691035	1	/P	Filter-Fuel (Includes 30 Micron Paper Element)
276A	BS-695410	1		Washer-Sealing
304A	BS-794918	1		Housing-Blower (Black)
305A	BS-697103	1		Screw (Blower Housing)
305B	BS-94321	1		Screw (Blower Housing)
385A	BS-690297	1		Screw (Fuel Pump)
431A	BS-794145	1		Elbow-Intake
445A	BS-793569	1		Filter-Air Cleaner Cartridge
4A	BS-697188	1		Sump-Engine
613B	BS-690297	1		Screw (Muffler)
634B	BS-698779	1		Spring/Seal Assembly
668A	BS-691500	1	/P	Spacer (Rotating Screen)
73B	BS-794437	1		Screen-Rotating
947A	BS-699915	1		Screen-Rotating

ZT-42 17AJ2ACG (2008)
Engine Assembly 1 G

Page 8 of 58

Ref #	Part Number	Qty	S/P/F	Description
94A	BS-695425	1		Kit-Idle Mixture
95A	BS-690718	1		Screw (Throttle Valve)
967A	BS-793685	1		Filter-Pre Cleaner
968A	BS-794140	1		Cover-Air Cleaner (Black)
975A	BS-699502	1		Bowl-Float
987A	BS-698777	1		Seal-Throttle Shaft
98A	BS-695408	1		Kit-Idle Speed



ZT-42 17AJ2ACG (2008)
Engine Assembly 2 G

Page 10 of 58

Ref #	Part Number	Qty	S/P/F	Description
1	BS-793987	1		Cylinder Assembly
2	BS-399265	1		Kit-Bushing/Seal (Magneto Side)
3	BS-391086S	1	/P	Seal-Oil (Magneto Side)
5	BS-794223	1	S	Head-Cylinder
6	BS-690310	1		Washer (Cylinder Head) Used After Code Date 07010900
7	BS-794114	1		Gasket-Cylinder Head
7	BS-794114	1		Gasket-Cylinder Head
9	BS-697109	1		Gasket-Breather (After Date Code Use Liquid Sealant Reference 850) Used Before Code Date 07071900
10	BS-697157	1		Screw (Breather Assembly)
11	BS-794683	1		Tube-Breather Used After Code Date 07071800
11	BS-697113	1		Tube-Breather Used Before Code Date 07071900
12	BS-697110	1		Gasket-Crankcase
13	BS-793988	1		Screw (Cylinder Head) Used After Code Date 07010900
13	BS-690360	1		Screw (Cylinder Head) Used Before Code Date 07011000
15	BS-691680	1	/P	Plug-Oil Drain (Square Socket)
15	BS-690946	1	/P	Plug-Oil Drain (Square Head)
16	BS-697516	1	S	Crankshaft
20	BS-791892	1		Seal-Oil (PTO Side)
22	BS-692125	1		Screw (Crankcase Cover/Sump)
23	BS-693556	1		Flywheel
24	BS-222698S	1	/P	Key-Flywheel
25	BS-792648	1	S	Piston Assembly (.020 Oversize)
25	BS-791937	1	/P	Piston Assembly (Standard)
26	BS-791936	1		Ring Set (Standard)
26	BS-792649	1		Ring Set (.020 Oversize)
27	BS-698469	1		Lock-Piston Pin
28	BS-697099	1		Pin-Piston
29	BS-794571	1	/P	Rod-Connecting (Standard)
29	BS-697264	1		Rod-Connecting (.020" Undersize) Used Before Code Date 05040400
32	BS-791118	1		Screw (Connecting Rod)
33	BS-792868	1		Valve-Exhaust Used After Code Date 06011900
33	BS-698370	1		Valve-Exhaust Used Before Code Date 06012000
34	BS-791935	1		Valve-Intake Used After Code Date 06011900
34	BS-695761	1		Valve-Intake Used Before Code Date 06012000
35	BS-691279	1		Spring-Valve (Intake)

Ref #	Part Number	Qty	S/P/F	Description
36	BS-691279	1		Spring-Valve (Exhaust)
37	BS-699882	1		Guard-Flywheel
42	BS-499586	1		Keeper-Valve
43	BS-691968	1		Slinger-Governor/Oil
45	BS-690564	1		Tappet-Valve
46	BS-793880	1		Camshaft
50	BS-690193	1		Manifold-Intake
51	BS-692137	1		Gasket-Intake
53	BS-690227	1		Stud (Carburetor)
54	BS-691148	1		Screw (Intake Manifold)
74	BS-691674	1		Screw (Rotating Screen)
78	BS-691003	1		Screw (Flywheel Guard)
81	BS-691178	1		Lock-Muffler Screw
93	BS-690602	1		Bushing-Throttle Shaft
94	BS-498030	1		Kit-Idle Mixture
95	BS-691636	1	/P	Screw (Throttle Valve)
98	BS-495800	1		Kit-Idle Speed
104	BS-690525	1	/P	Pin-Float Hinge
105	BS-231855S	1		Valve-Float Needle
106	BS-690577	1		Seat-Inlet (Gravity Feed Carburetor)
106	BS-691780	1	/P	Seat-Inlet (Pump Feed Carburetor)
108	BS-692344	1		Valve-Choke
117	BS-694352	1		Jet-Main (Standard)
118	BS-697228	1		Jet-Main (High Altitude)
121	BS-697241	1	/P	Kit-Carb Overhaul (Walbro)
127	BS-695005	1		Plug-Welch
130	BS-691750	1		Valve-Throttle
131	BS-790901	1		Kit-Throttle Shaft
133	BS-494381	1	/P	Float-Carburetor
135	BS-698780	1		Tube-Fuel Transfer (Nikki)(Gravity Feed)
135	BS-792022	1		Tube-Fuel Transfer (Nikki)(Pump Feed)
137	BS-281165S	1	/P	Gasket-Float Bowl
141	BS-790902	1		Kit-Choke Shaft
142	BS-697140	1		Nozzle-Carburetor (Standard)
146	BS-691639	1		Key-Timing
186	BS-794873	1		Connector-Hose
187	BS-791805	1	/P	Line-Fuel (Formed)(10-1/4" Long)(Cut to Required Length)
192	BS-691986	1		Adjuster-Rocker Arm
238	BS-691843	1		Cap-Valve
239	BS-697049	1		Switch-Oil Pressure
276	BS-692255	1		Washer-Sealing
305	BS-697102	1		Screw (Blower Housing)
306	BS-794953	1		Shield-Cylinder
307	BS-691003	1		Screw (Cylinder Shield)
337	759-3336	1	/P	Plug-Spark
344	BS-693675	1		Screw (Cable Clamp)
358	BS-792621	1		Gasket Set-Engine
363	BS-19203	1		Puller-Flywheel
383	BS-89838S	1	/P	Wrench-Spark Plug
385	BS-694476	1		Screw (Fuel Pump)
387	BS-697090	1		Pump-Fuel

ZT-42 17AJ2ACG (2008)
Engine Assembly 2 G

Page 12 of 58

Ref #	Part Number	Qty	S/P/F	Description
415	BS-690283	1		Plug (Engine Sump)
523	BS-699908	1		Dipstick
524	BS-691032	1		Seal-Dipstick Tube
525	BS-697085	1		Tube-Dipstick
552	BS-697144	1		Bushing-Governor Crank
584	BS-697112	1		Cover-Breather Passage Used Before Code Date 07071900
584	BS-794682	1		Cover-Breather Passage (Use with Liquid Sealant Reference 850) Used After Code Date 07071800
601	BS-791850	1	/P	Clamp-Hose
613	BS-691416	1		Screw (Muffler)
617	BS-692138	1		Seal-O Ring (Intake Manifold)
634	BS-690802	1	/P	Spring/Seal Assembly
635	BS-691909	1		Boot-Spark Plug
643	BS-698401	1		Retainer-Air Filter
654	BS-690958	1	/P	Nut (Carburetor)
691	BS-692407	1		Seal-Governor Shaft
692	BS-690572	1	/P	Spring-Detent
718	BS-690959	1	/P	Pin-Locating
741	BS-697128	1		Gear-Timing
750	BS-790832	1		Screw (Oil Pump Cover)
757	BS-793242	1		Link-Counterweight
758	BS-793763	1		Counterweight
759	BS-697392	1		Pin-Counterweight
783	BS-693713	1		Gear-Pinion
823	BS-698941	1		Screw (Muffler Adapter)
830	BS-691095	1		Stud-Rocker Arm
842	BS-691031	1	/P	Seal-O Ring (Dipstick Tube)
847	BS-790443	1		Dipstick/Tube Assembly
850	BS-100100	1		Sealant-Liquid (Rocker Cover Gasket and Breather Gasket) Used After Code Date 07071800
868	BS-690968	1		Seal-Valve
883	BS-692236	1	/P	Gasket-Exhaust
914	BS-691108	1	/P	Screw (Rocker Cover)
918	BS-791851	1	/P	Hose-Vacuum
918	BS-791851	1	/P	Hose-Vacuum
943	BS-690589	1		Seal-O Ring (Oil Pump Cover)
947	BS-694393	1		Solenoid-Fuel
950	BS-691657	1	/P	Screw-Float Bowl
965	BS-499613	1		Cover-Oil Pump
975	BS-495933	1	/P	Bowl-Float
977	BS-690192	1		Gasket Set-Carburetor
987	BS-691326	1	/P	Seal-Throttle Shaft
1005	BS-794121	1		Fan-Flywheel
1017	BS-690770	1		Screen-Oil Pump (Push In)
1022	BS-272475S	1		Gasket-Rocker Cover (After Date Code Use Liquid Sealant Reference 850) Used Before Code Date 07091000
1023	BS-791079			

ZT-42 17AJ2ACG (2008)
Engine Assembly 2 G

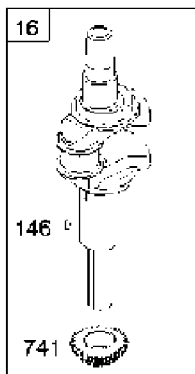
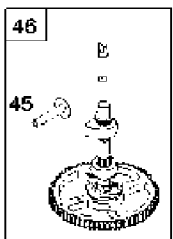
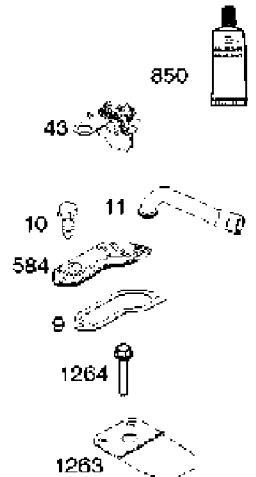
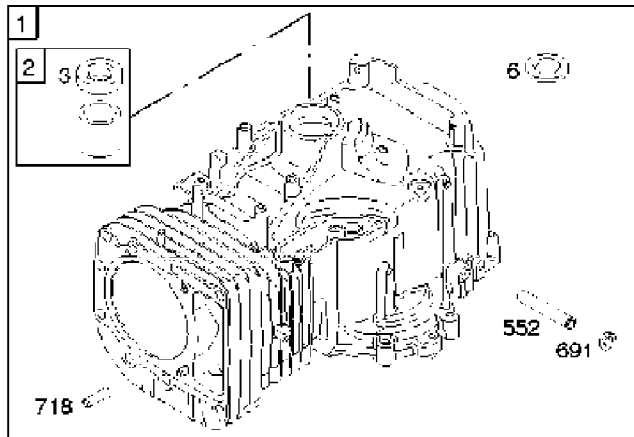
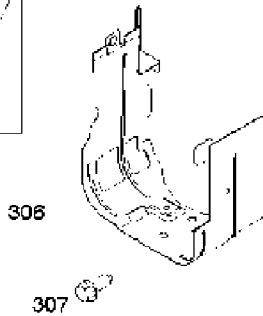
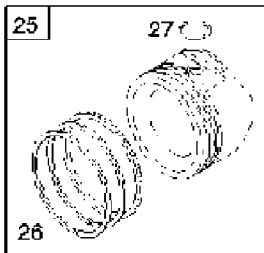
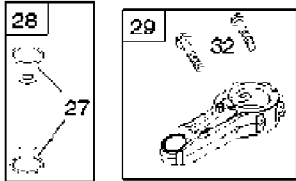
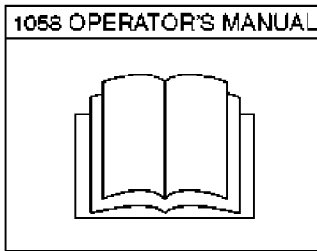
Page 13 of 58

Ref #	Part Number	Qty	S/P/F	Description
1024	BS-499054	1		Pump-Oil Used Before Code Date 07051700
1026	BS-692011	1		Rod-Push (Exhaust)
1026	BS-692003	1		Rod-Push (Intake)
1027	BS-696854	1	/P	Filter-Oil
1029	BS-691751	1		Arm-Rocker
1034	BS-690822	1		Guide-Push Rod
1036		1		Label-Emissions (Available From A Briggs & Stratton Authorized Dealer)
1044	BS-698139	1		Screw (Flywheel)
1051	BS-691265	1		Ring-Retaining
1058	BS-276344	1		Operator's Manual
1070	BS-690363	1		Screw (Flywheel Fan)
1091	BS-691333	1	/P	Cap-Limiter
1095	BS-690190	1		Gasket Set-Valve
1127	BS-695407	1		Screw (Float Bowl to Carburetor Body)
1263	BS-697124	1		Reed-Breather
1264	BS-697104	1		Screw (Breather Reed)
1266	BS-691917	1		Seal-O Ring (Intake Elbow)
1267	BS-697575	1		Latch-Blower Housing
1270	BS-697156	1		Plug-AVS Counterweight
1279	BS-691108	1	/P	Screw (Blower Housing Support)
1319	BS-794467	1		Label-Warning
1024A	BS-794644	1		Pump-Oil Used After Code Date 07051600
104A	BS-694918	1		Pin-Float Hinge
105A	BS-696136	1		Valve-Float Needle
108B	BS-695419	1		Valve-Choke
117A	BS-699732	1		Jet-Main (Standard)
118A	BS-843099	1		Jet-Main (High Altitude)
121A	BS-699521	1	S	Kit-Carb Overhaul (Nikki Carburetor)
125A	BS-792358	1	S	Carburetor (Nikki)(Gravity Feed)
1265A	BS-794151	1		Support-Blower Housing
1266A	BS-697123	1		Seal-O Ring (Intake Elbow)
127A	BS-690727	1		Plug-Welch
130A	BS-699500	1		Valve-Throttle
131A	BS-699501	1		Kit-Throttle Shaft
133A	BS-694914	1		Float-Carburetor
137A	BS-698781	1		Gasket-Float Bowl
141B	BS-695420	1		Kit-Choke Shaft
240A	BS-691035	1	/P	Filter-Fuel (Includes 30 Micron Paper Element)
276A	BS-695410	1		Washer-Sealing
304A	BS-794918	1		Housing-Blower (Black)
305A	BS-697103	1		Screw (Blower Housing)
305B	BS-94321	1		Screw (Blower Housing)
385A	BS-690297	1		Screw (Fuel Pump)
431A	BS-794145	1		Elbow-Intake
445A	BS-793569	1		Filter-Air Cleaner Cartridge
4A	BS-697188	1		Sump-Engine
613B	BS-690297	1		Screw (Muffler)
634B	BS-698779	1		Spring/Seal Assembly
668A	BS-691500	1	/P	Spacer (Rotating Screen)
73B	BS-794437	1		Screw (Blower Housing)

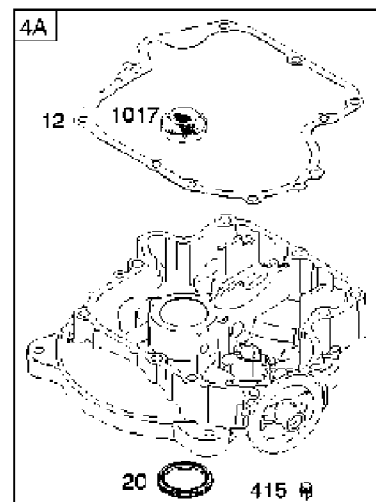
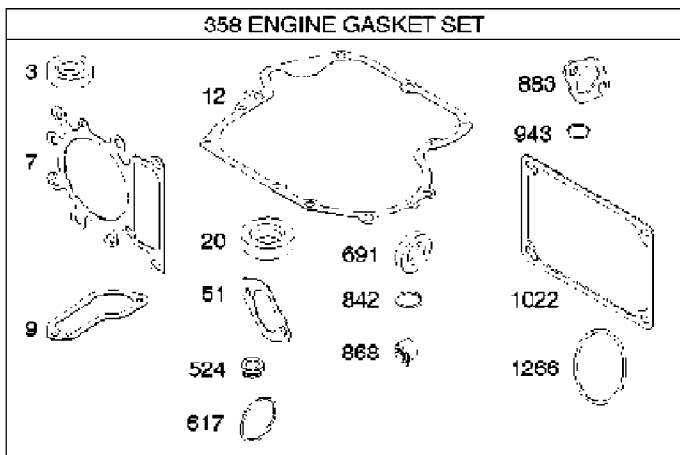
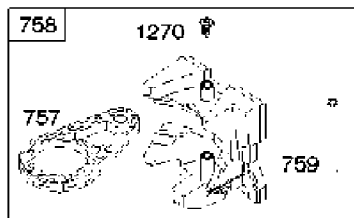
ZT-42 17AJ2ACG (2008)
Engine Assembly 2 G

Page 14 of 58

Ref #	Part Number	Qty	S/P/F	Description
947A	BS-699915	1		Solenoid-Fuel
94A	BS-695425	1		Kit-Idle Mixture
95A	BS-690718	1		Screw (Throttle Valve)
967A	BS-793685	1		Filter-Pre Cleaner
968A	BS-794140	1		Cover-Air Cleaner (Black)
975A	BS-699502	1		Bowl-Float
987A	BS-698777	1		Seal-Throttle Shaft
98A	BS-695408	1		Kit-Idle Speed



24 ↑



ZT-42 17AJ2ACG (2008)
Engine Assembly 3 G

Page 16 of 58

Ref #	Part Number	Qty	S/P/F	Description
1	BS-793987	1		Cylinder Assembly
2	BS-399265	1		Kit-Bushing/Seal (Magneto Side)
3	BS-391086S	1	/P	Seal-Oil (Magneto Side)
5	BS-794223	1	S	Head-Cylinder
6	BS-690310	1		Washer (Cylinder Head) Used After Code Date 07010900
7	BS-794114	1		Gasket-Cylinder Head
7	BS-794114	1		Gasket-Cylinder Head
9	BS-697109	1		Gasket-Breather (After Date Code Use Liquid Sealant Reference 850) Used Before Code Date 07071900
10	BS-697157	1		Screw (Breather Assembly)
11	BS-794683	1		Tube-Breather Used After Code Date 07071800
11	BS-697113	1		Tube-Breather Used Before Code Date 07071900
12	BS-697110	1		Gasket-Crankcase
13	BS-793988	1		Screw (Cylinder Head) Used After Code Date 07010900
13	BS-690360	1		Screw (Cylinder Head) Used Before Code Date 07011000
15	BS-691680	1	/P	Plug-Oil Drain (Square Socket)
15	BS-690946	1	/P	Plug-Oil Drain (Square Head)
16	BS-697516	1	S	Crankshaft
20	BS-791892	1		Seal-Oil (PTO Side)
22	BS-692125	1		Screw (Crankcase Cover/Sump)
23	BS-693556	1		Flywheel
24	BS-222698S	1	/P	Key-Flywheel
25	BS-792648	1	S	Piston Assembly (.020 Oversize)
25	BS-791937	1	/P	Piston Assembly (Standard)
26	BS-791936	1		Ring Set (Standard)
26	BS-792649	1		Ring Set (.020 Oversize)
27	BS-698469	1		Lock-Piston Pin
28	BS-697099	1		Pin-Piston
29	BS-794571	1	/P	Rod-Connecting (Standard)
29	BS-697264	1		Rod-Connecting (.020" Undersize) Used Before Code Date 05040400
32	BS-791118	1		Screw (Connecting Rod)
33	BS-792868	1		Valve-Exhaust Used After Code Date 06011900
33	BS-698370	1		Valve-Exhaust Used Before Code Date 06012000
34	BS-791935	1		Valve-Intake Used After Code Date 06011900
34	BS-695761	1		Valve-Intake Used Before Code Date 06012000
35	BS-691279	1		Spring-Valve (Intake)

ZT-42 17AJ2ACG (2008)
Engine Assembly 3 G

Page 17 of 58

Ref #	Part Number	Qty	S/P/F	Description
36	BS-691279	1		Spring-Valve (Exhaust)
37	BS-699882	1		Guard-Flywheel
42	BS-499586	1		Keeper-Valve
43	BS-691968	1		Slinger-Governor/Oil
45	BS-690564	1		Tappet-Valve
46	BS-793880	1		Camshaft
50	BS-690193	1		Manifold-Intake
51	BS-692137	1		Gasket-Intake
53	BS-690227	1		Stud (Carburetor)
54	BS-691148	1		Screw (Intake Manifold)
74	BS-691674	1		Screw (Rotating Screen)
78	BS-691003	1		Screw (Flywheel Guard)
81	BS-691178	1		Lock-Muffler Screw
93	BS-690602	1		Bushing-Throttle Shaft
94	BS-498030	1		Kit-Idle Mixture
95	BS-691636	1	/P	Screw (Throttle Valve)
98	BS-495800	1		Kit-Idle Speed
104	BS-690525	1	/P	Pin-Float Hinge
105	BS-231855S	1		Valve-Float Needle
106	BS-690577	1		Seat-Inlet (Gravity Feed Carburetor)
106	BS-691780	1	/P	Seat-Inlet (Pump Feed Carburetor)
108	BS-692344	1		Valve-Choke
117	BS-694352	1		Jet-Main (Standard)
118	BS-697228	1		Jet-Main (High Altitude)
121	BS-697241	1	/P	Kit-Carb Overhaul (Walbro)
127	BS-695005	1		Plug-Welch
130	BS-691750	1		Valve-Throttle
131	BS-790901	1		Kit-Throttle Shaft
133	BS-494381	1	/P	Float-Carburetor
135	BS-698780	1		Tube-Fuel Transfer (Nikki)(Gravity Feed)
135	BS-792022	1		Tube-Fuel Transfer (Nikki)(Pump Feed)
137	BS-281165S	1	/P	Gasket-Float Bowl
141	BS-790902	1		Kit-Choke Shaft
142	BS-697140	1		Nozzle-Carburetor (Standard)
146	BS-691639	1		Key-Timing
186	BS-794873	1		Connector-Hose
187	BS-791805	1	/P	Line-Fuel (Formed)(10-1/4" Long)(Cut to Required Length)
192	BS-691986	1		Adjuster-Rocker Arm
238	BS-691843	1		Cap-Valve
239	BS-697049	1		Switch-Oil Pressure
276	BS-692255	1		Washer-Sealing
305	BS-697102	1		Screw (Blower Housing)
306	BS-794953	1		Shield-Cylinder
307	BS-691003	1		Screw (Cylinder Shield)
337	759-3336	1	/P	Plug-Spark
344	BS-693675	1		Screw (Cable Clamp)
358	BS-792621	1		Gasket Set-Engine
363	BS-19203	1		Puller-Flywheel
383	BS-89838S	1	/P	Wrench-Spark Plug
385	BS-694476	1		Screw (Fuel Pump)
387	BS-697090	1		Pump-Fuel

ZT-42 17AJ2ACG (2008)
Engine Assembly 3 G

Page 18 of 58

Ref #	Part Number	Qty	S/P/F	Description
415	BS-690283	1		Plug (Engine Sump)
523	BS-699908	1		Dipstick
524	BS-691032	1		Seal-Dipstick Tube
525	BS-697085	1		Tube-Dipstick
552	BS-697144	1		Bushing-Governor Crank
584	BS-697112	1		Cover-Breather Passage Used Before Code Date 07071900
584	BS-794682	1		Cover-Breather Passage (Use with Liquid Sealant Reference 850) Used After Code Date 07071800
601	BS-791850	1	/P	Clamp-Hose
613	BS-691416	1		Screw (Muffler)
617	BS-692138	1		Seal-O Ring (Intake Manifold)
634	BS-690802	1	/P	Spring/Seal Assembly
635	BS-691909	1		Boot-Spark Plug
643	BS-698401	1		Retainer-Air Filter
654	BS-690958	1	/P	Nut (Carburetor)
691	BS-692407	1		Seal-Governor Shaft
692	BS-690572	1	/P	Spring-Detent
718	BS-690959	1	/P	Pin-Locating
741	BS-697128	1		Gear-Timing
750	BS-790832	1		Screw (Oil Pump Cover)
757	BS-793242	1		Link-Counterweight
758	BS-793763	1		Counterweight
759	BS-697392	1		Pin-Counterweight
783	BS-693713	1		Gear-Pinion
823	BS-698941	1		Screw (Muffler Adapter)
830	BS-691095	1		Stud-Rocker Arm
842	BS-691031	1	/P	Seal-O Ring (Dipstick Tube)
847	BS-790443	1		Dipstick/Tube Assembly
850	BS-100100	1		Sealant-Liquid (Rocker Cover Gasket and Breather Gasket) Used After Code Date 07071800
868	BS-690968	1		Seal-Valve
883	BS-692236	1	/P	Gasket-Exhaust
914	BS-691108	1	/P	Screw (Rocker Cover)
918	BS-791851	1	/P	Hose-Vacuum
918	BS-791851	1	/P	Hose-Vacuum
943	BS-690589	1		Seal-O Ring (Oil Pump Cover)
947	BS-694393	1		Solenoid-Fuel
950	BS-691657	1	/P	Screw-Float Bowl
965	BS-499613	1		Cover-Oil Pump
975	BS-495933	1	/P	Bowl-Float
977	BS-690192	1		Gasket Set-Carburetor
987	BS-691326	1	/P	Seal-Throttle Shaft
1005	BS-794121	1		Fan-Flywheel
1017	BS-690770	1		Screen-Oil Pump (Push In)
1022	BS-272475S	1		Gasket-Rocker Cover (After Date Code Use Liquid Sealant Reference 850) Used Before Code Date 07091000
1023	BS-791079			

ZT-42 17AJ2ACG (2008)
Engine Assembly 3 G

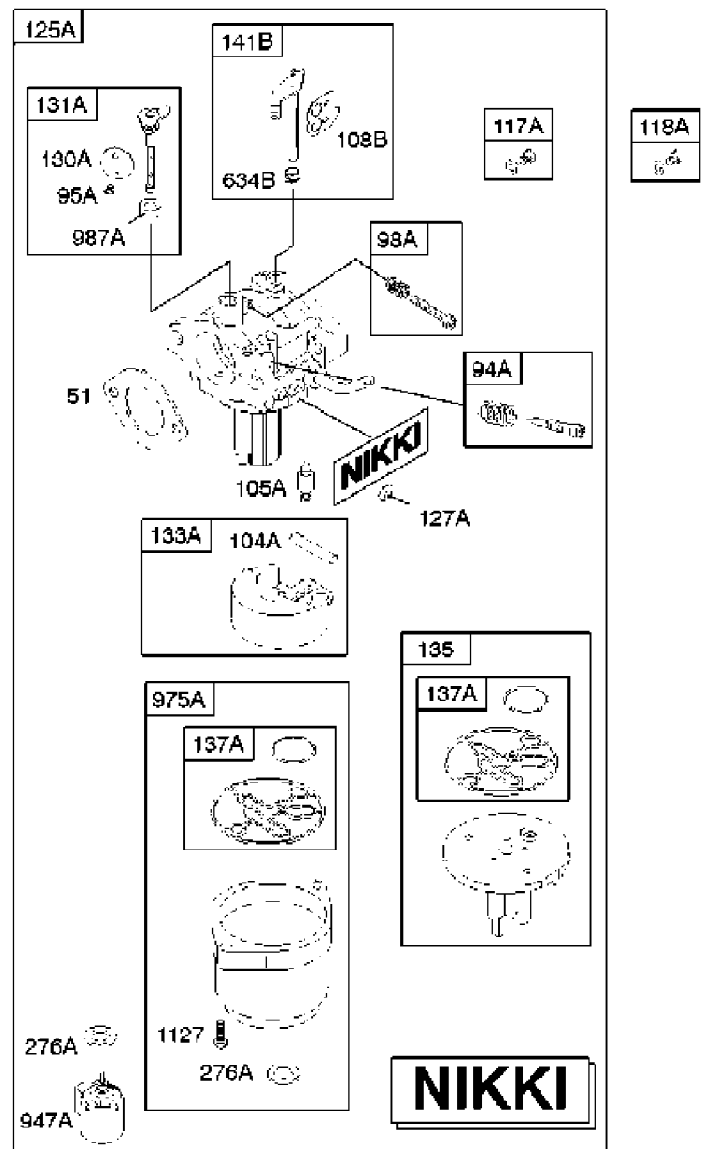
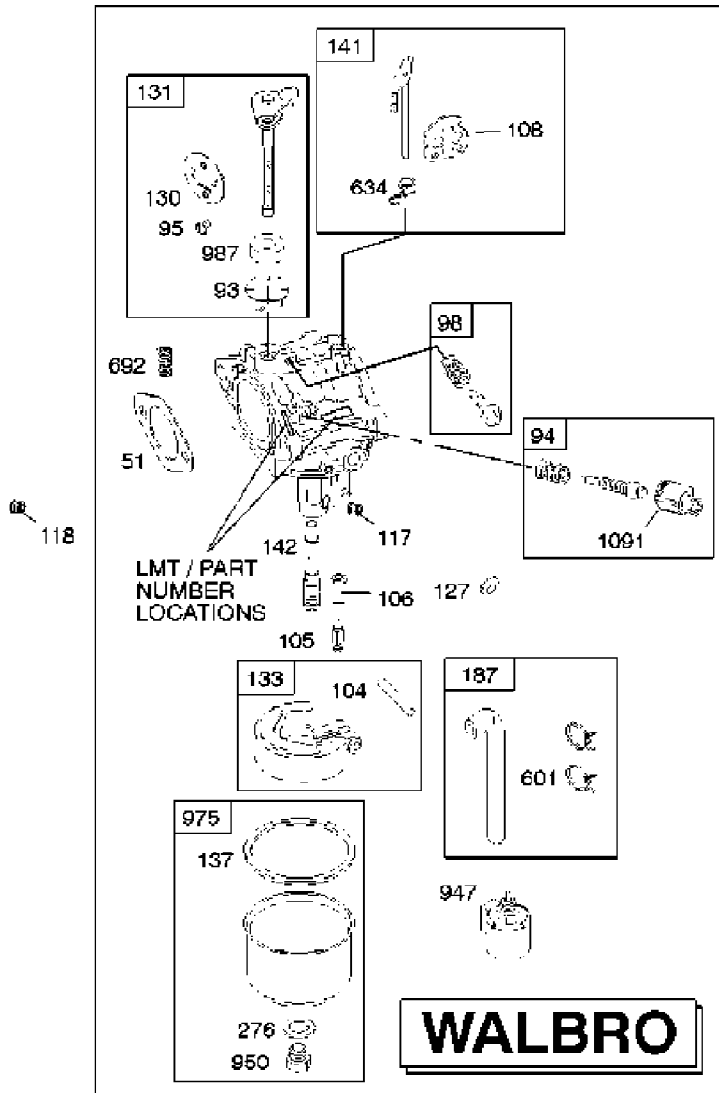
Page 19 of 58

Ref #	Part Number	Qty	S/P/F	Description
1024	BS-499054	1		Pump-Oil Used Before Code Date 07051700
1026	BS-692011	1		Rod-Push (Exhaust)
1026	BS-692003	1		Rod-Push (Intake)
1027	BS-696854	1	/P	Filter-Oil
1029	BS-691751	1		Arm-Rocker
1034	BS-690822	1		Guide-Push Rod
1036		1		Label-Emissions (Available From A Briggs & Stratton Authorized Dealer)
1044	BS-698139	1		Screw (Flywheel)
1051	BS-691265	1		Ring-Retaining
1058	BS-276344	1		Operator's Manual
1070	BS-690363	1		Screw (Flywheel Fan)
1091	BS-691333	1	/P	Cap-Limiter
1095	BS-690190	1		Gasket Set-Valve
1127	BS-695407	1		Screw (Float Bowl to Carburetor Body)
1263	BS-697124	1		Reed-Breather
1264	BS-697104	1		Screw (Breather Reed)
1266	BS-691917	1		Seal-O Ring (Intake Elbow)
1267	BS-697575	1		Latch-Blower Housing
1270	BS-697156	1		Plug-AVS Counterweight
1279	BS-691108	1	/P	Screw (Blower Housing Support)
1319	BS-794467	1		Label-Warning
1024A	BS-794644	1		Pump-Oil Used After Code Date 07051600
104A	BS-694918	1		Pin-Float Hinge
105A	BS-696136	1		Valve-Float Needle
108B	BS-695419	1		Valve-Choke
117A	BS-699732	1		Jet-Main (Standard)
118A	BS-843099	1		Jet-Main (High Altitude)
121A	BS-699521	1	S	Kit-Carb Overhaul (Nikki Carburetor)
125A	BS-792358	1	S	Carburetor (Nikki)(Gravity Feed)
1265A	BS-794151	1		Support-Blower Housing
1266A	BS-697123	1		Seal-O Ring (Intake Elbow)
127A	BS-690727	1		Plug-Welch
130A	BS-699500	1		Valve-Throttle
131A	BS-699501	1		Kit-Throttle Shaft
133A	BS-694914	1		Float-Carburetor
137A	BS-698781	1		Gasket-Float Bowl
141B	BS-695420	1		Kit-Choke Shaft
240A	BS-691035	1	/P	Filter-Fuel (Includes 30 Micron Paper Element)
276A	BS-695410	1		Washer-Sealing
304A	BS-794918	1		Housing-Blower (Black)
305A	BS-697103	1		Screw (Blower Housing)
305B	BS-94321	1		Screw (Blower Housing)
385A	BS-690297	1		Screw (Fuel Pump)
431A	BS-794145	1		Elbow-Intake
445A	BS-793569	1		Filter-Air Cleaner Cartridge
4A	BS-697188	1		Sump-Engine
613B	BS-690297	1		Screw (Muffler)
634B	BS-698779	1		Spring/Seal Assembly
668A	BS-691500	1	/P	Spacer (Rotating Screen)
73B	BS-794437	1		

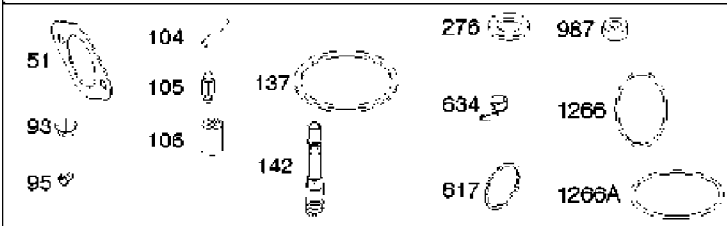
ZT-42 17AJ2ACG (2008)
Engine Assembly 3 G

Page 20 of 58

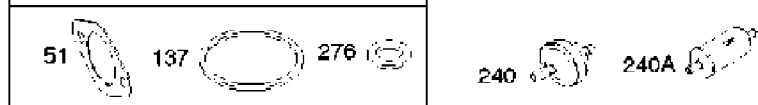
Ref #	Part Number	Qty	S/P/F	Description
947A	BS-699915	1		Solenoid-Fuel
94A	BS-695425	1		Kit-Idle Mixture
95A	BS-690718	1		Screw (Throttle Valve)
967A	BS-793685	1		Filter-Pre Cleaner
968A	BS-794140	1		Cover-Air Cleaner (Black)
975A	BS-699502	1		Bowl-Float
987A	BS-698777	1		Seal-Throttle Shaft
98A	BS-695408	1		Kit-Idle Speed



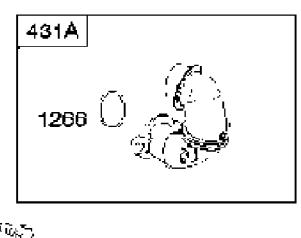
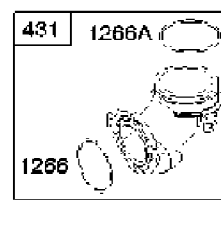
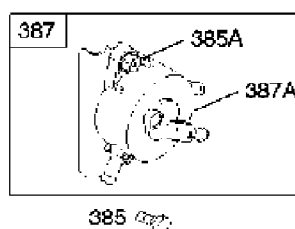
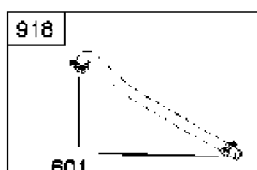
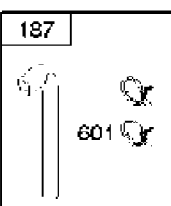
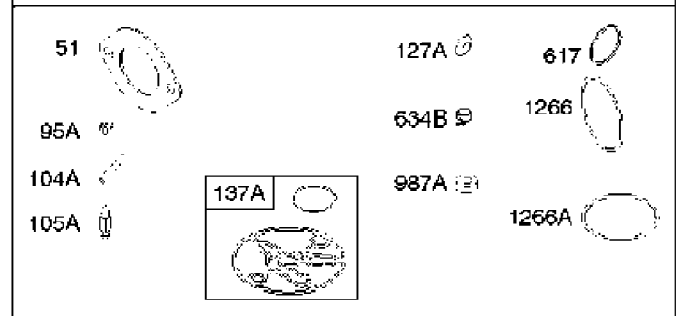
121 CARBURETOR OVERHAUL KIT



977 CARBURETOR GASKET SET



121A CARBURETOR OVERHAUL KIT



ZT-42 17AJ2ACG (2008)
Engine Assembly 4 G

Page 22 of 58

Ref #	Part Number	Qty	S/P/F	Description
1	BS-793987	1		Cylinder Assembly
2	BS-399265	1		Kit-Bushing/Seal (Magneto Side)
3	BS-391086S	1	/P	Seal-Oil (Magneto Side)
5	BS-794223	1	S	Head-Cylinder
6	BS-690310	1		Washer (Cylinder Head) Used After Code Date 07010900
7	BS-794114	1		Gasket-Cylinder Head
7	BS-794114	1		Gasket-Cylinder Head
9	BS-697109	1		Gasket-Breather (After Date Code Use Liquid Sealant Reference 850) Used Before Code Date 07071900
10	BS-697157	1		Screw (Breather Assembly)
11	BS-794683	1		Tube-Breather Used After Code Date 07071800
11	BS-697113	1		Tube-Breather Used Before Code Date 07071900
12	BS-697110	1		Gasket-Crankcase
13	BS-793988	1		Screw (Cylinder Head) Used After Code Date 07010900
13	BS-690360	1		Screw (Cylinder Head) Used Before Code Date 07011000
15	BS-691680	1	/P	Plug-Oil Drain (Square Socket)
15	BS-690946	1	/P	Plug-Oil Drain (Square Head)
16	BS-697516	1	S	Crankshaft
20	BS-791892	1		Seal-Oil (PTO Side)
22	BS-692125	1		Screw (Crankcase Cover/Sump)
23	BS-693556	1		Flywheel
24	BS-222698S	1	/P	Key-Flywheel
25	BS-792648	1	S	Piston Assembly (.020 Oversize)
25	BS-791937	1	/P	Piston Assembly (Standard)
26	BS-791936	1		Ring Set (Standard)
26	BS-792649	1		Ring Set (.020 Oversize)
27	BS-698469	1		Lock-Piston Pin
28	BS-697099	1		Pin-Piston
29	BS-794571	1	/P	Rod-Connecting (Standard)
29	BS-697264	1		Rod-Connecting (.020" Undersize) Used Before Code Date 05040400
32	BS-791118	1		Screw (Connecting Rod)
33	BS-792868	1		Valve-Exhaust Used After Code Date 06011900
33	BS-698370	1		Valve-Exhaust Used Before Code Date 06012000
34	BS-791935	1		Valve-Intake Used After Code Date 06011900
34	BS-695761	1		Valve-Intake Used Before Code Date 06012000
35	BS-691279	1		Spring-Valve (Intake)

ZT-42 17AJ2ACG (2008)
Engine Assembly 4 G

Page 23 of 58

Ref #	Part Number	Qty	S/P/F	Description
36	BS-691279	1		Spring-Valve (Exhaust)
37	BS-699882	1		Guard-Flywheel
42	BS-499586	1		Keeper-Valve
43	BS-691968	1		Slinger-Governor/Oil
45	BS-690564	1		Tappet-Valve
46	BS-793880	1		Camshaft
50	BS-690193	1		Manifold-Intake
51	BS-692137	1		Gasket-Intake
53	BS-690227	1		Stud (Carburetor)
54	BS-691148	1		Screw (Intake Manifold)
74	BS-691674	1		Screw (Rotating Screen)
78	BS-691003	1		Screw (Flywheel Guard)
81	BS-691178	1		Lock-Muffler Screw
93	BS-690602	1		Bushing-Throttle Shaft
94	BS-498030	1		Kit-Idle Mixture
95	BS-691636	1	/P	Screw (Throttle Valve)
98	BS-495800	1		Kit-Idle Speed
104	BS-690525	1	/P	Pin-Float Hinge
105	BS-231855S	1		Valve-Float Needle
106	BS-690577	1		Seat-Inlet (Gravity Feed Carburetor)
106	BS-691780	1	/P	Seat-Inlet (Pump Feed Carburetor)
108	BS-692344	1		Valve-Choke
117	BS-694352	1		Jet-Main (Standard)
118	BS-697228	1		Jet-Main (High Altitude)
121	BS-697241	1	/P	Kit-Carb Overhaul (Walbro)
127	BS-695005	1		Plug-Welch
130	BS-691750	1		Valve-Throttle
131	BS-790901	1		Kit-Throttle Shaft
133	BS-494381	1	/P	Float-Carburetor
135	BS-698780	1		Tube-Fuel Transfer (Nikki)(Gravity Feed)
135	BS-792022	1		Tube-Fuel Transfer (Nikki)(Pump Feed)
137	BS-281165S	1	/P	Gasket-Float Bowl
141	BS-790902	1		Kit-Choke Shaft
142	BS-697140	1		Nozzle-Carburetor (Standard)
146	BS-691639	1		Key-Timing
186	BS-794873	1		Connector-Hose
187	BS-791805	1	/P	Line-Fuel (Formed)(10-1/4" Long)(Cut to Required Length)
192	BS-691986	1		Adjuster-Rocker Arm
238	BS-691843	1		Cap-Valve
239	BS-697049	1		Switch-Oil Pressure
276	BS-692255	1		Washer-Sealing
305	BS-697102	1		Screw (Blower Housing)
306	BS-794953	1		Shield-Cylinder
307	BS-691003	1		Screw (Cylinder Shield)
337	759-3336	1	/P	Plug-Spark
344	BS-693675	1		Screw (Cable Clamp)
358	BS-792621	1		Gasket Set-Engine
363	BS-19203	1		Puller-Flywheel
383	BS-89838S	1	/P	Wrench-Spark Plug
385	BS-694476	1		Screw (Fuel Pump)
387	BS-697090	1		Pump-Fuel

ZT-42 17AJ2ACG (2008)
Engine Assembly 4 G

Page 24 of 58

Ref #	Part Number	Qty	S/P/F	Description
415	BS-690283	1		Plug (Engine Sump)
523	BS-699908	1		Dipstick
524	BS-691032	1		Seal-Dipstick Tube
525	BS-697085	1		Tube-Dipstick
552	BS-697144	1		Bushing-Governor Crank
584	BS-697112	1		Cover-Breather Passage Used Before Code Date 07071900
584	BS-794682	1		Cover-Breather Passage (Use with Liquid Sealant Reference 850) Used After Code Date 07071800
601	BS-791850	1	/P	Clamp-Hose
613	BS-691416	1		Screw (Muffler)
617	BS-692138	1		Seal-O Ring (Intake Manifold)
634	BS-690802	1	/P	Spring/Seal Assembly
635	BS-691909	1		Boot-Spark Plug
643	BS-698401	1		Retainer-Air Filter
654	BS-690958	1	/P	Nut (Carburetor)
691	BS-692407	1		Seal-Governor Shaft
692	BS-690572	1	/P	Spring-Detent
718	BS-690959	1	/P	Pin-Locating
741	BS-697128	1		Gear-Timing
750	BS-790832	1		Screw (Oil Pump Cover)
757	BS-793242	1		Link-Counterweight
758	BS-793763	1		Counterweight
759	BS-697392	1		Pin-Counterweight
783	BS-693713	1		Gear-Pinion
823	BS-698941	1		Screw (Muffler Adapter)
830	BS-691095	1		Stud-Rocker Arm
842	BS-691031	1	/P	Seal-O Ring (Dipstick Tube)
847	BS-790443	1		Dipstick/Tube Assembly
850	BS-100100	1		Sealant-Liquid (Rocker Cover Gasket and Breather Gasket) Used After Code Date 07071800
868	BS-690968	1		Seal-Valve
883	BS-692236	1	/P	Gasket-Exhaust
914	BS-691108	1	/P	Screw (Rocker Cover)
918	BS-791851	1	/P	Hose-Vacuum
918	BS-791851	1	/P	Hose-Vacuum
943	BS-690589	1		Seal-O Ring (Oil Pump Cover)
947	BS-694393	1		Solenoid-Fuel
950	BS-691657	1	/P	Screw-Float Bowl
965	BS-499613	1		Cover-Oil Pump
975	BS-495933	1	/P	Bowl-Float
977	BS-690192	1		Gasket Set-Carburetor
987	BS-691326	1	/P	Seal-Throttle Shaft
1005	BS-794121	1		Fan-Flywheel
1017	BS-690770	1		Screen-Oil Pump (Push In)
1022	BS-272475S	1		Gasket-Rocker Cover (After Date Code Use Liquid Sealant Reference 850) Used Before Code Date 07091000
1023	BS-791079			

ZT-42 17AJ2ACG (2008)
Engine Assembly 4 G

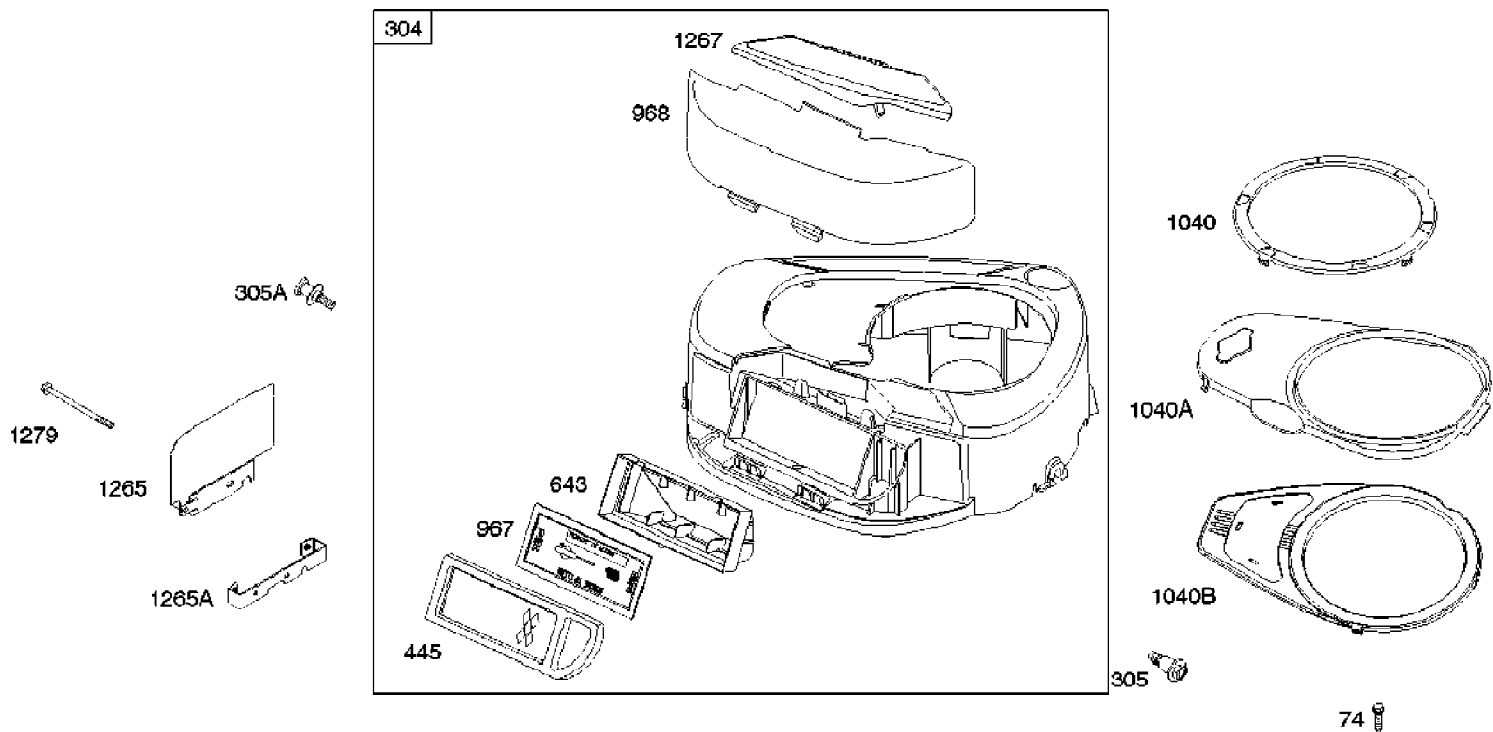
Page 25 of 58

Ref #	Part Number	Qty	S/P/F	Description
1024	BS-499054	1		Pump-Oil Used Before Code Date 07051700
1026	BS-692011	1		Rod-Push (Exhaust)
1026	BS-692003	1		Rod-Push (Intake)
1027	BS-696854	1	/P	Filter-Oil
1029	BS-691751	1		Arm-Rocker
1034	BS-690822	1		Guide-Push Rod
1036		1		Label-Emissions (Available From A Briggs & Stratton Authorized Dealer)
1044	BS-698139	1		Screw (Flywheel)
1051	BS-691265	1		Ring-Retaining
1058	BS-276344	1		Operator's Manual
1070	BS-690363	1		Screw (Flywheel Fan)
1091	BS-691333	1	/P	Cap-Limiter
1095	BS-690190	1		Gasket Set-Valve
1127	BS-695407	1		Screw (Float Bowl to Carburetor Body)
1263	BS-697124	1		Reed-Breather
1264	BS-697104	1		Screw (Breather Reed)
1266	BS-691917	1		Seal-O Ring (Intake Elbow)
1267	BS-697575	1		Latch-Blower Housing
1270	BS-697156	1		Plug-AVS Counterweight
1279	BS-691108	1	/P	Screw (Blower Housing Support)
1319	BS-794467	1		Label-Warning
1024A	BS-794644	1		Pump-Oil Used After Code Date 07051600
104A	BS-694918	1		Pin-Float Hinge
105A	BS-696136	1		Valve-Float Needle
108B	BS-695419	1		Valve-Choke
117A	BS-699732	1		Jet-Main (Standard)
118A	BS-843099	1		Jet-Main (High Altitude)
121A	BS-699521	1	S	Kit-Carb Overhaul (Nikki Carburetor)
125A	BS-792358	1	S	Carburetor (Nikki)(Gravity Feed)
1265A	BS-794151	1		Support-Blower Housing
1266A	BS-697123	1		Seal-O Ring (Intake Elbow)
127A	BS-690727	1		Plug-Welch
130A	BS-699500	1		Valve-Throttle
131A	BS-699501	1		Kit-Throttle Shaft
133A	BS-694914	1		Float-Carburetor
137A	BS-698781	1		Gasket-Float Bowl
141B	BS-695420	1		Kit-Choke Shaft
240A	BS-691035	1	/P	Filter-Fuel (Includes 30 Micron Paper Element)
276A	BS-695410	1		Washer-Sealing
304A	BS-794918	1		Housing-Blower (Black)
305A	BS-697103	1		Screw (Blower Housing)
305B	BS-94321	1		Screw (Blower Housing)
385A	BS-690297	1		Screw (Fuel Pump)
431A	BS-794145	1		Elbow-Intake
445A	BS-793569	1		Filter-Air Cleaner Cartridge
4A	BS-697188	1		Sump-Engine
613B	BS-690297	1		Screw (Muffler)
634B	BS-698779	1		Spring/Seal Assembly
668A	BS-691500	1	/P	Spacer (Rotating Screen)
73B	BS-794437	1		Screw (Blower Housing)

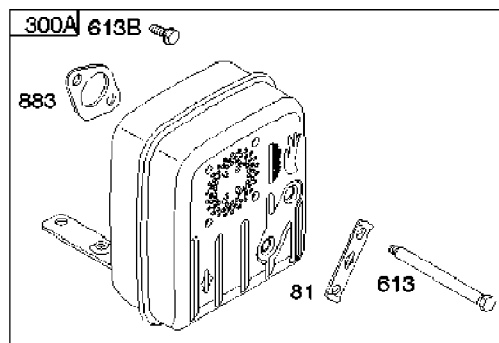
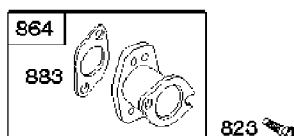
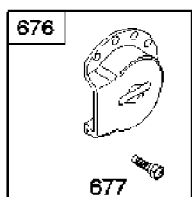
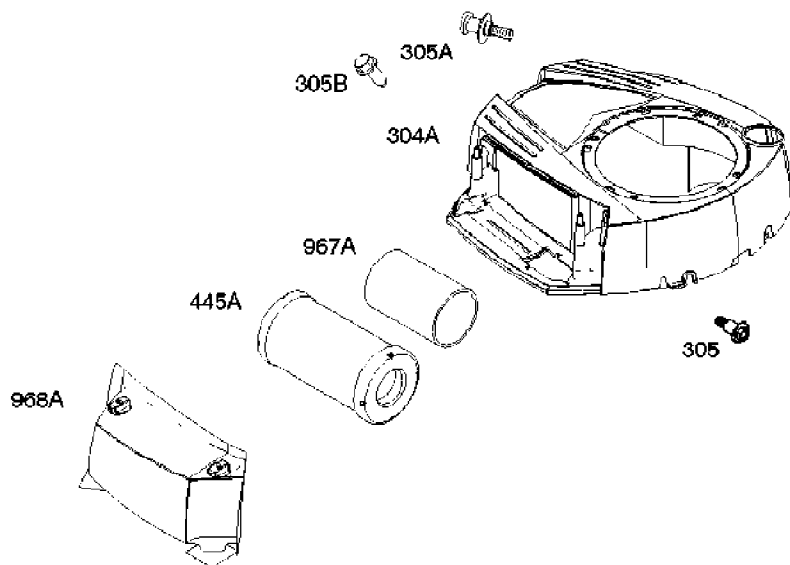
ZT-42 17AJ2ACG (2008)
Engine Assembly 4 G

Page 26 of 58

Ref #	Part Number	Qty	S/P/F	Description
947A	BS-699915	1		Solenoid-Fuel
94A	BS-695425	1		Kit-Idle Mixture
95A	BS-690718	1		Screw (Throttle Valve)
967A	BS-793685	1		Filter-Pre Cleaner
968A	BS-794140	1		Cover-Air Cleaner (Black)
975A	BS-699502	1		Bowl-Float
987A	BS-698777	1		Seal-Throttle Shaft
98A	BS-695408	1		Kit-Idle Speed



1036 EMISSIONS LABEL



ZT-42 17AJ2ACG (2008)
Engine Assembly 5 G

Page 28 of 58

Ref #	Part Number	Qty	S/P/F	Description
1	BS-793987	1		Cylinder Assembly
2	BS-399265	1		Kit-Bushing/Seal (Magneto Side)
3	BS-391086S	1	/P	Seal-Oil (Magneto Side)
5	BS-794223	1	S	Head-Cylinder
6	BS-690310	1		Washer (Cylinder Head) Used After Code Date 07010900
7	BS-794114	1		Gasket-Cylinder Head
7	BS-794114	1		Gasket-Cylinder Head
9	BS-697109	1		Gasket-Breather (After Date Code Use Liquid Sealant Reference 850) Used Before Code Date 07071900
10	BS-697157	1		Screw (Breather Assembly)
11	BS-794683	1		Tube-Breather Used After Code Date 07071800
11	BS-697113	1		Tube-Breather Used Before Code Date 07071900
12	BS-697110	1		Gasket-Crankcase
13	BS-793988	1		Screw (Cylinder Head) Used After Code Date 07010900
13	BS-690360	1		Screw (Cylinder Head) Used Before Code Date 07011000
15	BS-691680	1	/P	Plug-Oil Drain (Square Socket)
15	BS-690946	1	/P	Plug-Oil Drain (Square Head)
16	BS-697516	1	S	Crankshaft
20	BS-791892	1		Seal-Oil (PTO Side)
22	BS-692125	1		Screw (Crankcase Cover/Sump)
23	BS-693556	1		Flywheel
24	BS-222698S	1	/P	Key-Flywheel
25	BS-792648	1	S	Piston Assembly (.020 Oversize)
25	BS-791937	1	/P	Piston Assembly (Standard)
26	BS-791936	1		Ring Set (Standard)
26	BS-792649	1		Ring Set (.020 Oversize)
27	BS-698469	1		Lock-Piston Pin
28	BS-697099	1		Pin-Piston
29	BS-794571	1	/P	Rod-Connecting (Standard)
29	BS-697264	1		Rod-Connecting (.020" Undersize) Used Before Code Date 05040400
32	BS-791118	1		Screw (Connecting Rod)
33	BS-792868	1		Valve-Exhaust Used After Code Date 06011900
33	BS-698370	1		Valve-Exhaust Used Before Code Date 06012000
34	BS-791935	1		Valve-Intake Used After Code Date 06011900
34	BS-695761	1		Valve-Intake Used Before Code Date 06012000
35	BS-691279	1		Spring-Valve (Intake)

ZT-42 17AJ2ACG (2008)
Engine Assembly 5 G

Page 29 of 58

Ref #	Part Number	Qty	S/P/F	Description
36	BS-691279	1		Spring-Valve (Exhaust)
37	BS-699882	1		Guard-Flywheel
42	BS-499586	1		Keeper-Valve
43	BS-691968	1		Slinger-Governor/Oil
45	BS-690564	1		Tappet-Valve
46	BS-793880	1		Camshaft
50	BS-690193	1		Manifold-Intake
51	BS-692137	1		Gasket-Intake
53	BS-690227	1		Stud (Carburetor)
54	BS-691148	1		Screw (Intake Manifold)
74	BS-691674	1		Screw (Rotating Screen)
78	BS-691003	1		Screw (Flywheel Guard)
81	BS-691178	1		Lock-Muffler Screw
93	BS-690602	1		Bushing-Throttle Shaft
94	BS-498030	1		Kit-Idle Mixture
95	BS-691636	1	/P	Screw (Throttle Valve)
98	BS-495800	1		Kit-Idle Speed
104	BS-690525	1	/P	Pin-Float Hinge
105	BS-231855S	1		Valve-Float Needle
106	BS-690577	1		Seat-Inlet (Gravity Feed Carburetor)
106	BS-691780	1	/P	Seat-Inlet (Pump Feed Carburetor)
108	BS-692344	1		Valve-Choke
117	BS-694352	1		Jet-Main (Standard)
118	BS-697228	1		Jet-Main (High Altitude)
121	BS-697241	1	/P	Kit-Carb Overhaul (Walbro)
127	BS-695005	1		Plug-Welch
130	BS-691750	1		Valve-Throttle
131	BS-790901	1		Kit-Throttle Shaft
133	BS-494381	1	/P	Float-Carburetor
135	BS-698780	1		Tube-Fuel Transfer (Nikki)(Gravity Feed)
135	BS-792022	1		Tube-Fuel Transfer (Nikki)(Pump Feed)
137	BS-281165S	1	/P	Gasket-Float Bowl
141	BS-790902	1		Kit-Choke Shaft
142	BS-697140	1		Nozzle-Carburetor (Standard)
146	BS-691639	1		Key-Timing
186	BS-794873	1		Connector-Hose
187	BS-791805	1	/P	Line-Fuel (Formed)(10-1/4" Long)(Cut to Required Length)
192	BS-691986	1		Adjuster-Rocker Arm
238	BS-691843	1		Cap-Valve
239	BS-697049	1		Switch-Oil Pressure
276	BS-692255	1		Washer-Sealing
305	BS-697102	1		Screw (Blower Housing)
306	BS-794953	1		Shield-Cylinder
307	BS-691003	1		Screw (Cylinder Shield)
337	759-3336	1	/P	Plug-Spark
344	BS-693675	1		Screw (Cable Clamp)
358	BS-792621	1		Gasket Set-Engine
363	BS-19203	1		Puller-Flywheel
383	BS-89838S	1	/P	Wrench-Spark Plug
385	BS-694476	1		Screw (Fuel Pump)
387	BS-697090	1		Pump-Fuel

ZT-42 17AJ2ACG (2008)
Engine Assembly 5 G

Page 30 of 58

Ref #	Part Number	Qty	S/P/F	Description
415	BS-690283	1		Plug (Engine Sump)
523	BS-699908	1		Dipstick
524	BS-691032	1		Seal-Dipstick Tube
525	BS-697085	1		Tube-Dipstick
552	BS-697144	1		Bushing-Governor Crank
584	BS-697112	1		Cover-Breather Passage Used Before Code Date 07071900
584	BS-794682	1		Cover-Breather Passage (Use with Liquid Sealant Reference 850) Used After Code Date 07071800
601	BS-791850	1	/P	Clamp-Hose
613	BS-691416	1		Screw (Muffler)
617	BS-692138	1		Seal-O Ring (Intake Manifold)
634	BS-690802	1	/P	Spring/Seal Assembly
635	BS-691909	1		Boot-Spark Plug
643	BS-698401	1		Retainer-Air Filter
654	BS-690958	1	/P	Nut (Carburetor)
691	BS-692407	1		Seal-Governor Shaft
692	BS-690572	1	/P	Spring-Detent
718	BS-690959	1	/P	Pin-Locating
741	BS-697128	1		Gear-Timing
750	BS-790832	1		Screw (Oil Pump Cover)
757	BS-793242	1		Link-Counterweight
758	BS-793763	1		Counterweight
759	BS-697392	1		Pin-Counterweight
783	BS-693713	1		Gear-Pinion
823	BS-698941	1		Screw (Muffler Adapter)
830	BS-691095	1		Stud-Rocker Arm
842	BS-691031	1	/P	Seal-O Ring (Dipstick Tube)
847	BS-790443	1		Dipstick/Tube Assembly
850	BS-100100	1		Sealant-Liquid (Rocker Cover Gasket and Breather Gasket) Used After Code Date 07071800
868	BS-690968	1		Seal-Valve
883	BS-692236	1	/P	Gasket-Exhaust
914	BS-691108	1	/P	Screw (Rocker Cover)
918	BS-791851	1	/P	Hose-Vacuum
918	BS-791851	1	/P	Hose-Vacuum
943	BS-690589	1		Seal-O Ring (Oil Pump Cover)
947	BS-694393	1		Solenoid-Fuel
950	BS-691657	1	/P	Screw-Float Bowl
965	BS-499613	1		Cover-Oil Pump
975	BS-495933	1	/P	Bowl-Float
977	BS-690192	1		Gasket Set-Carburetor
987	BS-691326	1	/P	Seal-Throttle Shaft
1005	BS-794121	1		Fan-Flywheel
1017	BS-690770	1		Screen-Oil Pump (Push In)
1022	BS-272475S	1		Gasket-Rocker Cover (After Date Code Use Liquid Sealant Reference 850) Used Before Code Date 07091000
1023	BS-791079			

ZT-42 17AJ2ACG (2008)
Engine Assembly 5 G

Page 31 of 58

Ref #	Part Number	Qty	S/P/F	Description
1024	BS-499054	1		Pump-Oil Used Before Code Date 07051700
1026	BS-692011	1		Rod-Push (Exhaust)
1026	BS-692003	1		Rod-Push (Intake)
1027	BS-696854	1	/P	Filter-Oil
1029	BS-691751	1		Arm-Rocker
1034	BS-690822	1		Guide-Push Rod
1036		1		Label-Emissions (Available From A Briggs & Stratton Authorized Dealer)
1044	BS-698139	1		Screw (Flywheel)
1051	BS-691265	1		Ring-Retaining
1058	BS-276344	1		Operator's Manual
1070	BS-690363	1		Screw (Flywheel Fan)
1091	BS-691333	1	/P	Cap-Limiter
1095	BS-690190	1		Gasket Set-Valve
1127	BS-695407	1		Screw (Float Bowl to Carburetor Body)
1263	BS-697124	1		Reed-Breather
1264	BS-697104	1		Screw (Breather Reed)
1266	BS-691917	1		Seal-O Ring (Intake Elbow)
1267	BS-697575	1		Latch-Blower Housing
1270	BS-697156	1		Plug-AVS Counterweight
1279	BS-691108	1	/P	Screw (Blower Housing Support)
1319	BS-794467	1		Label-Warning
1024A	BS-794644	1		Pump-Oil Used After Code Date 07051600
104A	BS-694918	1		Pin-Float Hinge
105A	BS-696136	1		Valve-Float Needle
108B	BS-695419	1		Valve-Choke
117A	BS-699732	1		Jet-Main (Standard)
118A	BS-843099	1		Jet-Main (High Altitude)
121A	BS-699521	1	S	Kit-Carb Overhaul (Nikki Carburetor)
125A	BS-792358	1	S	Carburetor (Nikki)(Gravity Feed)
1265A	BS-794151	1		Support-Blower Housing
1266A	BS-697123	1		Seal-O Ring (Intake Elbow)
127A	BS-690727	1		Plug-Welch
130A	BS-699500	1		Valve-Throttle
131A	BS-699501	1		Kit-Throttle Shaft
133A	BS-694914	1		Float-Carburetor
137A	BS-698781	1		Gasket-Float Bowl
141B	BS-695420	1		Kit-Choke Shaft
240A	BS-691035	1	/P	Filter-Fuel (Includes 30 Micron Paper Element)
276A	BS-695410	1		Washer-Sealing
304A	BS-794918	1		Housing-Blower (Black)
305A	BS-697103	1		Screw (Blower Housing)
305B	BS-94321	1		Screw (Blower Housing)
385A	BS-690297	1		Screw (Fuel Pump)
431A	BS-794145	1		Elbow-Intake
445A	BS-793569	1		Filter-Air Cleaner Cartridge
4A	BS-697188	1		Sump-Engine
613B	BS-690297	1		Screw (Muffler)
634B	BS-698779	1		Spring/Seal Assembly
668A	BS-691500	1	/P	Spacer (Rotating Screen)
73B	BS-794437	1		Screw (Blower Housing)

ZT-42 17AJ2ACG (2008)
Engine Assembly 5 G

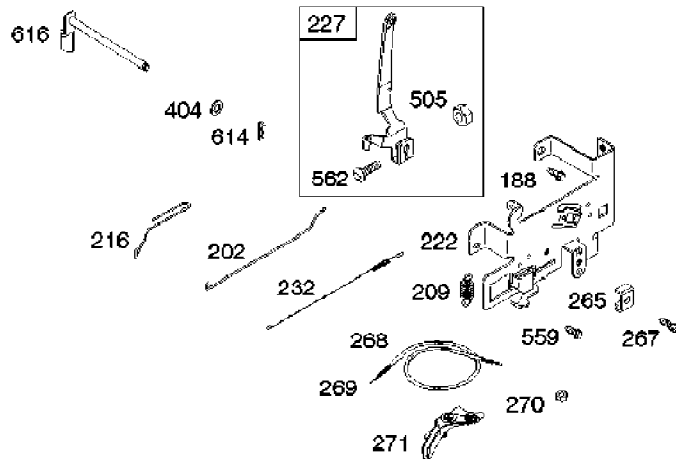
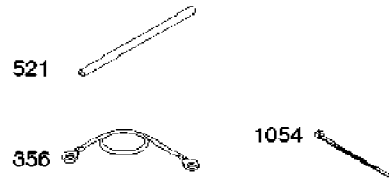
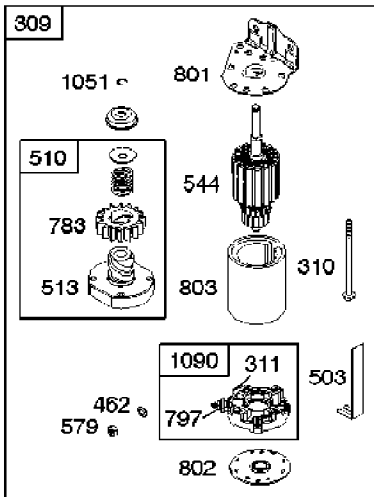
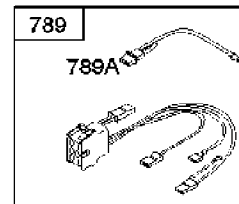
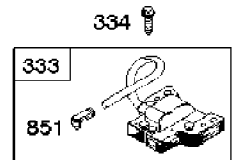
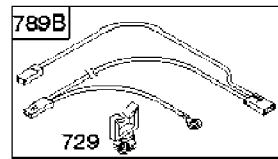
Page 32 of 58

Ref #	Part Number	Qty	S/P/F	Description
947A	BS-699915	1		Solenoid-Fuel
94A	BS-695425	1		Kit-Idle Mixture
95A	BS-690718	1		Screw (Throttle Valve)
967A	BS-793685	1		Filter-Pre Cleaner
968A	BS-794140	1		Cover-Air Cleaner (Black)
975A	BS-699502	1		Bowl-Float
987A	BS-698777	1		Seal-Throttle Shaft
98A	BS-695408	1		Kit-Idle Speed

DUAL CIRCUIT		TRI CIRCUIT		10 AMP	
474B	1059	474C	1059	474D	1059
877	877B	877B	877B	877C	877C
878	878A	501A	5/9 AMP REGULATED	578	10/16 AMP REGULATED
		526	526	526	526
		501	501	501	501

NOTE: All stators use a No. 1119 mounting screw.

NOTE: The proper flywheel part number and/or the alternator magnet size will determine the alternator type or output. See repair instruction manual for additional information.



ZT-42 17AJ2ACG (2008)
Engine Assembly 6 G

Page 34 of 58

Ref #	Part Number	Qty	S/P/F	Description
1	BS-793987	1		Cylinder Assembly
2	BS-399265	1		Kit-Bushing/Seal (Magneto Side)
3	BS-391086S	1	/P	Seal-Oil (Magneto Side)
5	BS-794223	1	S	Head-Cylinder
6	BS-690310	1		Washer (Cylinder Head) Used After Code Date 07010900
7	BS-794114	1		Gasket-Cylinder Head
7	BS-794114	1		Gasket-Cylinder Head
9	BS-697109	1		Gasket-Breather (After Date Code Use Liquid Sealant Reference 850) Used Before Code Date 07071900
10	BS-697157	1		Screw (Breather Assembly)
11	BS-794683	1		Tube-Breather Used After Code Date 07071800
11	BS-697113	1		Tube-Breather Used Before Code Date 07071900
12	BS-697110	1		Gasket-Crankcase
13	BS-793988	1		Screw (Cylinder Head) Used After Code Date 07010900
13	BS-690360	1		Screw (Cylinder Head) Used Before Code Date 07011000
15	BS-691680	1	/P	Plug-Oil Drain (Square Socket)
15	BS-690946	1	/P	Plug-Oil Drain (Square Head)
16	BS-697516	1	S	Crankshaft
20	BS-791892	1		Seal-Oil (PTO Side)
22	BS-692125	1		Screw (Crankcase Cover/Sump)
23	BS-693556	1		Flywheel
24	BS-222698S	1	/P	Key-Flywheel
25	BS-792648	1	S	Piston Assembly (.020 Oversize)
25	BS-791937	1	/P	Piston Assembly (Standard)
26	BS-791936	1		Ring Set (Standard)
26	BS-792649	1		Ring Set (.020 Oversize)
27	BS-698469	1		Lock-Piston Pin
28	BS-697099	1		Pin-Piston
29	BS-794571	1	/P	Rod-Connecting (Standard)
29	BS-697264	1		Rod-Connecting (.020" Undersize) Used Before Code Date 05040400
32	BS-791118	1		Screw (Connecting Rod)
33	BS-792868	1		Valve-Exhaust Used After Code Date 06011900
33	BS-698370	1		Valve-Exhaust Used Before Code Date 06012000
34	BS-791935	1		Valve-Intake Used After Code Date 06011900
34	BS-695761	1		Valve-Intake Used Before Code Date 06012000
35	BS-691279	1		Spring-Valve (Intake)

Ref #	Part Number	Qty	S/P/F	Description
36	BS-691279	1		Spring-Valve (Exhaust)
37	BS-699882	1		Guard-Flywheel
42	BS-499586	1		Keeper-Valve
43	BS-691968	1		Slinger-Governor/Oil
45	BS-690564	1		Tappet-Valve
46	BS-793880	1		Camshaft
50	BS-690193	1		Manifold-Intake
51	BS-692137	1		Gasket-Intake
53	BS-690227	1		Stud (Carburetor)
54	BS-691148	1		Screw (Intake Manifold)
74	BS-691674	1		Screw (Rotating Screen)
78	BS-691003	1		Screw (Flywheel Guard)
81	BS-691178	1		Lock-Muffler Screw
93	BS-690602	1		Bushing-Throttle Shaft
94	BS-498030	1		Kit-Idle Mixture
95	BS-691636	1	/P	Screw (Throttle Valve)
98	BS-495800	1		Kit-Idle Speed
104	BS-690525	1	/P	Pin-Float Hinge
105	BS-231855S	1		Valve-Float Needle
106	BS-690577	1		Seat-Inlet (Gravity Feed Carburetor)
106	BS-691780	1	/P	Seat-Inlet (Pump Feed Carburetor)
108	BS-692344	1		Valve-Choke
117	BS-694352	1		Jet-Main (Standard)
118	BS-697228	1		Jet-Main (High Altitude)
121	BS-697241	1	/P	Kit-Carb Overhaul (Walbro)
127	BS-695005	1		Plug-Welch
130	BS-691750	1		Valve-Throttle
131	BS-790901	1		Kit-Throttle Shaft
133	BS-494381	1	/P	Float-Carburetor
135	BS-698780	1		Tube-Fuel Transfer (Nikki)(Gravity Feed)
135	BS-792022	1		Tube-Fuel Transfer (Nikki)(Pump Feed)
137	BS-281165S	1	/P	Gasket-Float Bowl
141	BS-790902	1		Kit-Choke Shaft
142	BS-697140	1		Nozzle-Carburetor (Standard)
146	BS-691639	1		Key-Timing
186	BS-794873	1		Connector-Hose
187	BS-791805	1	/P	Line-Fuel (Formed)(10-1/4" Long)(Cut to Required Length)
192	BS-691986	1		Adjuster-Rocker Arm
238	BS-691843	1		Cap-Valve
239	BS-697049	1		Switch-Oil Pressure
276	BS-692255	1		Washer-Sealing
305	BS-697102	1		Screw (Blower Housing)
306	BS-794953	1		Shield-Cylinder
307	BS-691003	1		Screw (Cylinder Shield)
337	759-3336	1	/P	Plug-Spark
344	BS-693675	1		Screw (Cable Clamp)
358	BS-792621	1		Gasket Set-Engine
363	BS-19203	1		Puller-Flywheel
383	BS-89838S	1	/P	Wrench-Spark Plug
385	BS-694476	1		Screw (Fuel Pump)
387	BS-697090	1		Pump-Fuel

ZT-42 17AJ2ACG (2008)
Engine Assembly 6 G

Page 36 of 58

Ref #	Part Number	Qty	S/P/F	Description
415	BS-690283	1		Plug (Engine Sump)
523	BS-699908	1		Dipstick
524	BS-691032	1		Seal-Dipstick Tube
525	BS-697085	1		Tube-Dipstick
552	BS-697144	1		Bushing-Governor Crank
584	BS-697112	1		Cover-Breather Passage Used Before Code Date 07071900
584	BS-794682	1		Cover-Breather Passage (Use with Liquid Sealant Reference 850) Used After Code Date 07071800
601	BS-791850	1	/P	Clamp-Hose
613	BS-691416	1		Screw (Muffler)
617	BS-692138	1		Seal-O Ring (Intake Manifold)
634	BS-690802	1	/P	Spring/Seal Assembly
635	BS-691909	1		Boot-Spark Plug
643	BS-698401	1		Retainer-Air Filter
654	BS-690958	1	/P	Nut (Carburetor)
691	BS-692407	1		Seal-Governor Shaft
692	BS-690572	1	/P	Spring-Detent
718	BS-690959	1	/P	Pin-Locating
741	BS-697128	1		Gear-Timing
750	BS-790832	1		Screw (Oil Pump Cover)
757	BS-793242	1		Link-Counterweight
758	BS-793763	1		Counterweight
759	BS-697392	1		Pin-Counterweight
783	BS-693713	1		Gear-Pinion
823	BS-698941	1		Screw (Muffler Adapter)
830	BS-691095	1		Stud-Rocker Arm
842	BS-691031	1	/P	Seal-O Ring (Dipstick Tube)
847	BS-790443	1		Dipstick/Tube Assembly
850	BS-100100	1		Sealant-Liquid (Rocker Cover Gasket and Breather Gasket) Used After Code Date 07071800
868	BS-690968	1		Seal-Valve
883	BS-692236	1	/P	Gasket-Exhaust
914	BS-691108	1	/P	Screw (Rocker Cover)
918	BS-791851	1	/P	Hose-Vacuum
918	BS-791851	1	/P	Hose-Vacuum
943	BS-690589	1		Seal-O Ring (Oil Pump Cover)
947	BS-694393	1		Solenoid-Fuel
950	BS-691657	1	/P	Screw-Float Bowl
965	BS-499613	1		Cover-Oil Pump
975	BS-495933	1	/P	Bowl-Float
977	BS-690192	1		Gasket Set-Carburetor
987	BS-691326	1	/P	Seal-Throttle Shaft
1005	BS-794121	1		Fan-Flywheel
1017	BS-690770	1		Screen-Oil Pump (Push In)
1022	BS-272475S	1		Gasket-Rocker Cover (After Date Code Use Liquid Sealant Reference 850) Used Before Code Date 07091000
1023	BS-791079			

ZT-42 17AJ2ACG (2008)
Engine Assembly 6 G

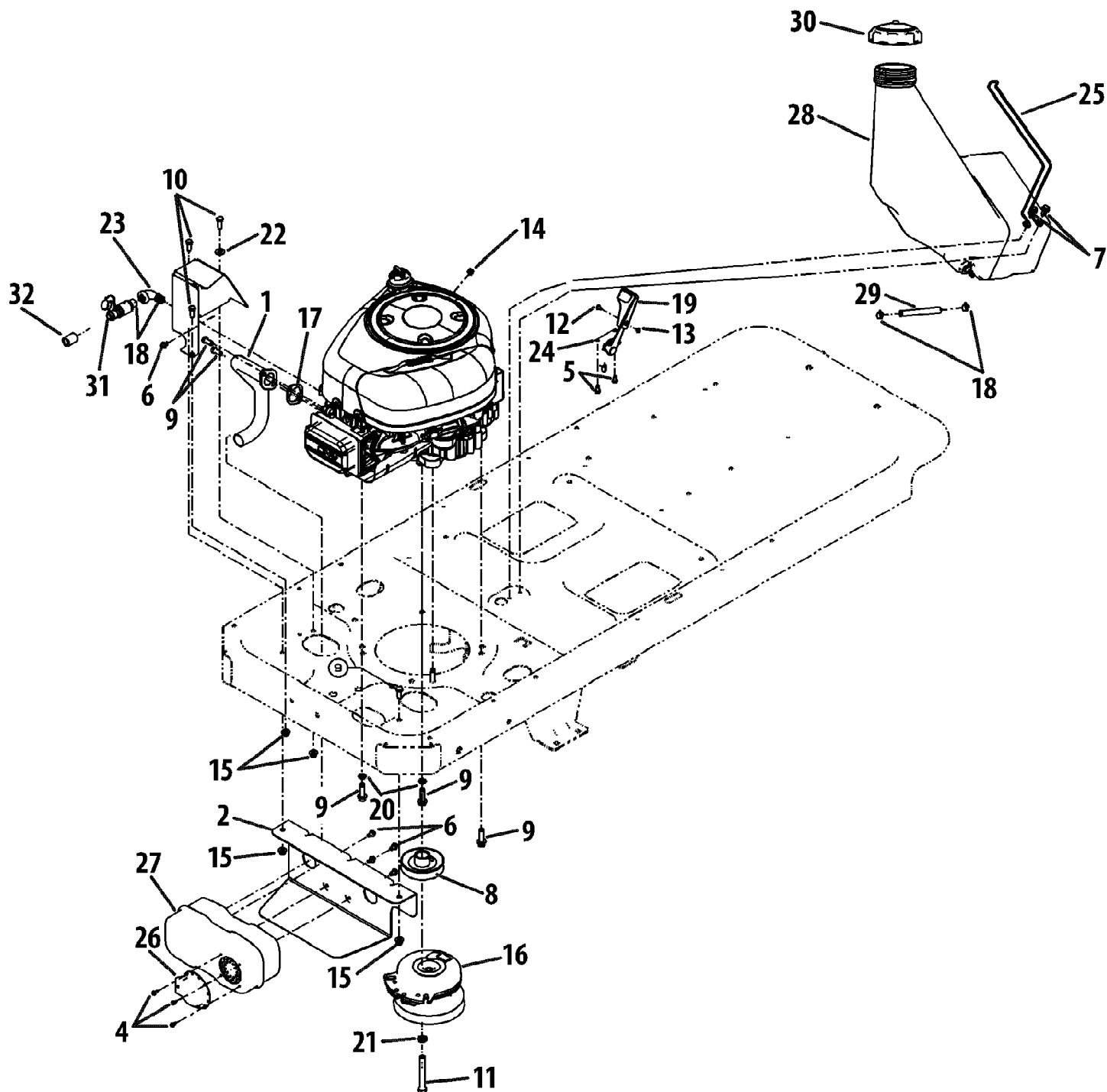
Page 37 of 58

Ref #	Part Number	Qty	S/P/F	Description
1024	BS-499054	1		Pump-Oil Used Before Code Date 07051700
1026	BS-692011	1		Rod-Push (Exhaust)
1026	BS-692003	1		Rod-Push (Intake)
1027	BS-696854	1	/P	Filter-Oil
1029	BS-691751	1		Arm-Rocker
1034	BS-690822	1		Guide-Push Rod
1036		1		Label-Emissions (Available From A Briggs & Stratton Authorized Dealer)
1044	BS-698139	1		Screw (Flywheel)
1051	BS-691265	1		Ring-Retaining
1058	BS-276344	1		Operator's Manual
1070	BS-690363	1		Screw (Flywheel Fan)
1091	BS-691333	1	/P	Cap-Limiter
1095	BS-690190	1		Gasket Set-Valve
1127	BS-695407	1		Screw (Float Bowl to Carburetor Body)
1263	BS-697124	1		Reed-Breather
1264	BS-697104	1		Screw (Breather Reed)
1266	BS-691917	1		Seal-O Ring (Intake Elbow)
1267	BS-697575	1		Latch-Blower Housing
1270	BS-697156	1		Plug-AVS Counterweight
1279	BS-691108	1	/P	Screw (Blower Housing Support)
1319	BS-794467	1		Label-Warning
1024A	BS-794644	1		Pump-Oil Used After Code Date 07051600
104A	BS-694918	1		Pin-Float Hinge
105A	BS-696136	1		Valve-Float Needle
108B	BS-695419	1		Valve-Choke
117A	BS-699732	1		Jet-Main (Standard)
118A	BS-843099	1		Jet-Main (High Altitude)
121A	BS-699521	1	S	Kit-Carb Overhaul (Nikki Carburetor)
125A	BS-792358	1	S	Carburetor (Nikki)(Gravity Feed)
1265A	BS-794151	1		Support-Blower Housing
1266A	BS-697123	1		Seal-O Ring (Intake Elbow)
127A	BS-690727	1		Plug-Welch
130A	BS-699500	1		Valve-Throttle
131A	BS-699501	1		Kit-Throttle Shaft
133A	BS-694914	1		Float-Carburetor
137A	BS-698781	1		Gasket-Float Bowl
141B	BS-695420	1		Kit-Choke Shaft
240A	BS-691035	1	/P	Filter-Fuel (Includes 30 Micron Paper Element)
276A	BS-695410	1		Washer-Sealing
304A	BS-794918	1		Housing-Blower (Black)
305A	BS-697103	1		Screw (Blower Housing)
305B	BS-94321	1		Screw (Blower Housing)
385A	BS-690297	1		Screw (Fuel Pump)
431A	BS-794145	1		Elbow-Intake
445A	BS-793569	1		Filter-Air Cleaner Cartridge
4A	BS-697188	1		Sump-Engine
613B	BS-690297	1		Screw (Muffler)
634B	BS-698779	1		Spring/Seal Assembly
668A	BS-691500	1	/P	Spacer (Rotating Screen)
73B	BS-794437	1		

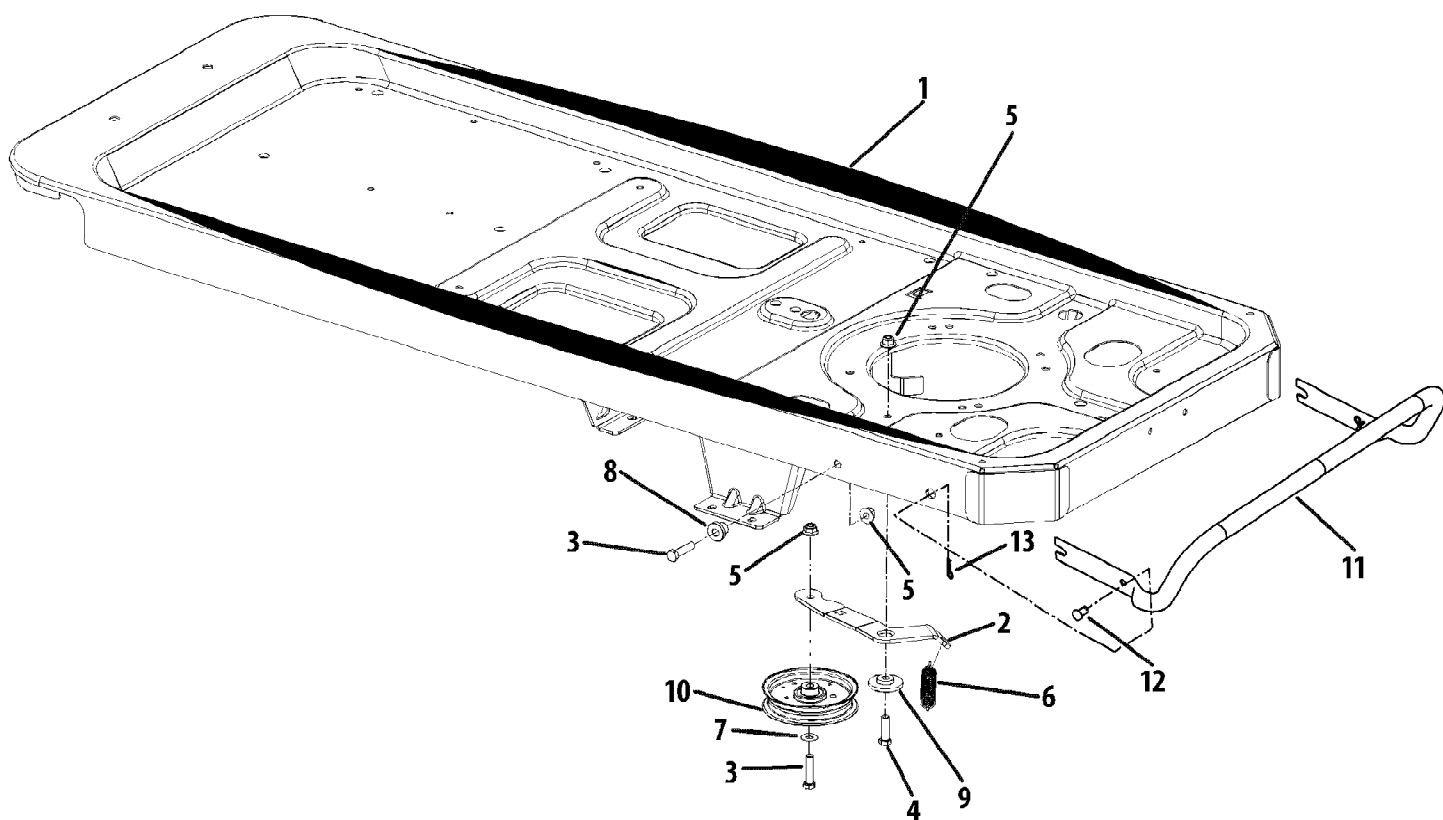
ZT-42 17AJ2ACG (2008)
Engine Assembly 6 G

Page 38 of 58

Ref #	Part Number	Qty	S/P/F	Description
947A	BS-699915	1		Solenoid-Fuel
94A	BS-695425	1		Kit-Idle Mixture
95A	BS-690718	1		Screw (Throttle Valve)
967A	BS-793685	1		Filter-Pre Cleaner
968A	BS-794140	1		Cover-Air Cleaner (Black)
975A	BS-699502	1		Bowl-Float
987A	BS-698777	1		Seal-Throttle Shaft
98A	BS-695408	1		Kit-Idle Speed



Ref #	Part Number	Qty	S/P/F	Description
1	603-04176A	1	/P	Exhaust Tube
2	703-05441A	1	/P	Muffler Mounting Bracket
3	703-05870	1		Muffler Tube Heat Shield
4	710-0227	1	/P	Hex Wsh. Hd. Screw, #8-18 x .5
5	710-04261	1		Hx. Wsh. Hd. Screw, #12-16 x .5
6	710-0599	1	/P	Hx. Wsh. Hd. Screw, 1/4-20 x .5
7	710-0726	1	/P	Hx. Wsh. Hd. Screw, 5/16-12 x .75
8	756-04376	1		Drive Pulley replaces 756-0978B in this application. Refer to W-158
9	710-1315	1	/P	Hx. Wsh. Hd. Screw, 3/8-16 x 1.25
10	710-3008	1	/P	Hex Cap Screw, 5/16-18 x .75
11	710-3157A	1	/P	Hx Cap Lk. Screw, 7/16-20 x 3.25
12	710-3217	1	/P	Truss Hd. Mach. Screw, #8-32 x .375
13	712-0142	1	/P	Hex Nut, #8-32
14	712-0271	1	/P	Hex Sems Nut, 1/4-20
15	712-04063	1	/P	Hx. Insert Flange Lck Nut, 5/16-18
16	717-04376	1	S	Electric PTO Clutch Assembly
17	721-0208	1	S	Exhaust Gasket (B&S- 272293)
18	726-0205	1	/P	Hose Clamp
19	731-04914	1	/P	Throttle Control Knob
20	736-0148	1		Ext. Tooth Lock Washer, 3/8
21	736-0171	1	S	Lock Washer, 7/16
22	736-3008	1	S	Flat Washer, .344 x .75 x .12
23	737-0125	1		Elbow Fitting
24	746-04161	1	S	Throttle Cable, 39.0 Lg
25	747-04228A	1		Tank Mounting Wire
26	751-0564B	1	/P	Muffler Deflector
27	751-0617B	1	S	Muffler
28	751-10057D	1	/P	Fuel Tank, 3.0 Gal.
29	751-10349	1		Fuel Line Hose
30	751-3124D	1	S	Fuel Cap
31	751-10517	1	S	Oil Drain Valve
32	751-3141	1	S	Oil Drain Extension Hose



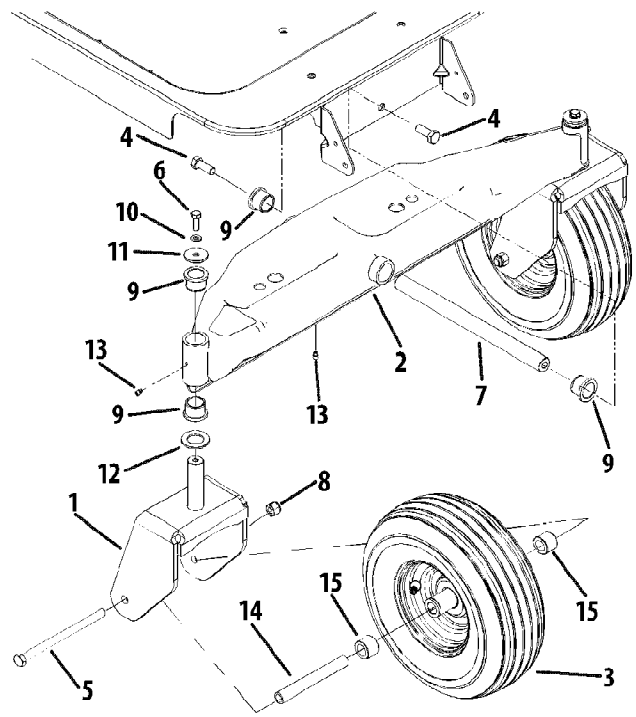
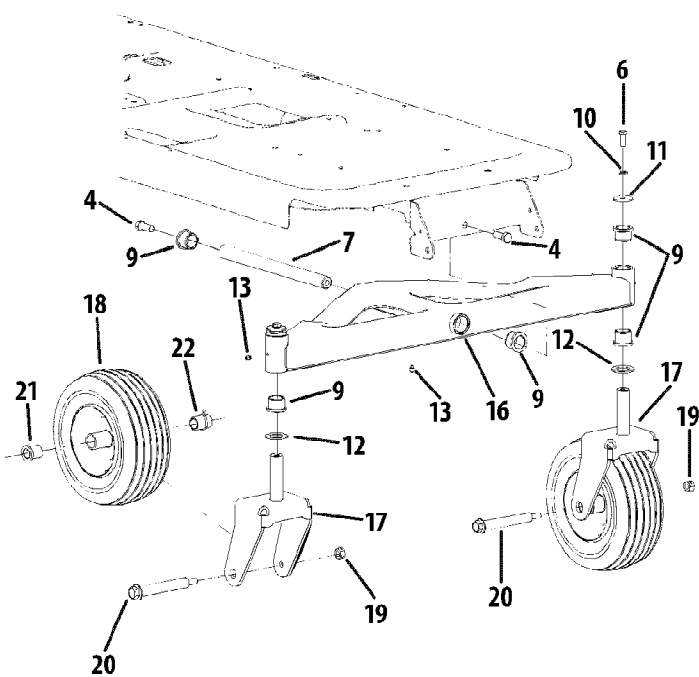
ZT-42 17AJ2ACG (2008)
Frame

Page 42 of 58

Ref #	Part Number	Qty	S/P/F	Description
1	603-04303E	1		Frame Assembly
2	703-05829	1	/P	Drive Idler Arm
3	710-0520	1	/P	Hex Cap Screw, 3/8-16 x 1.5
4	710-3005	1	/P	Hex Cap Screw, 3/8-16 x 1.25
5	712-04065	1	/P	Hex Insert Flangelock Nut, 3/8 -16
6	732-0626	1		Extension Spring, .75 x 5.06
7	736-0300	1	S	Flat Washer, .408 x .875 x .059
8	738-04058	1		Shoulder Spacer, .39 x 1.0 x .7
9	738-04162A	1	/P	Shoulder Spacer, .884 x .19
10	756-04129	1	S	Idler Pulley, 4.25 Dia.
11	749-04358	1		Bumper Tube (54")
12	711-0332	1	S	Clevis Pin, .50 x .78 (54")
13	714-04023	1	S	Cotter Pin, .080 x 1.5625 (54")

42"

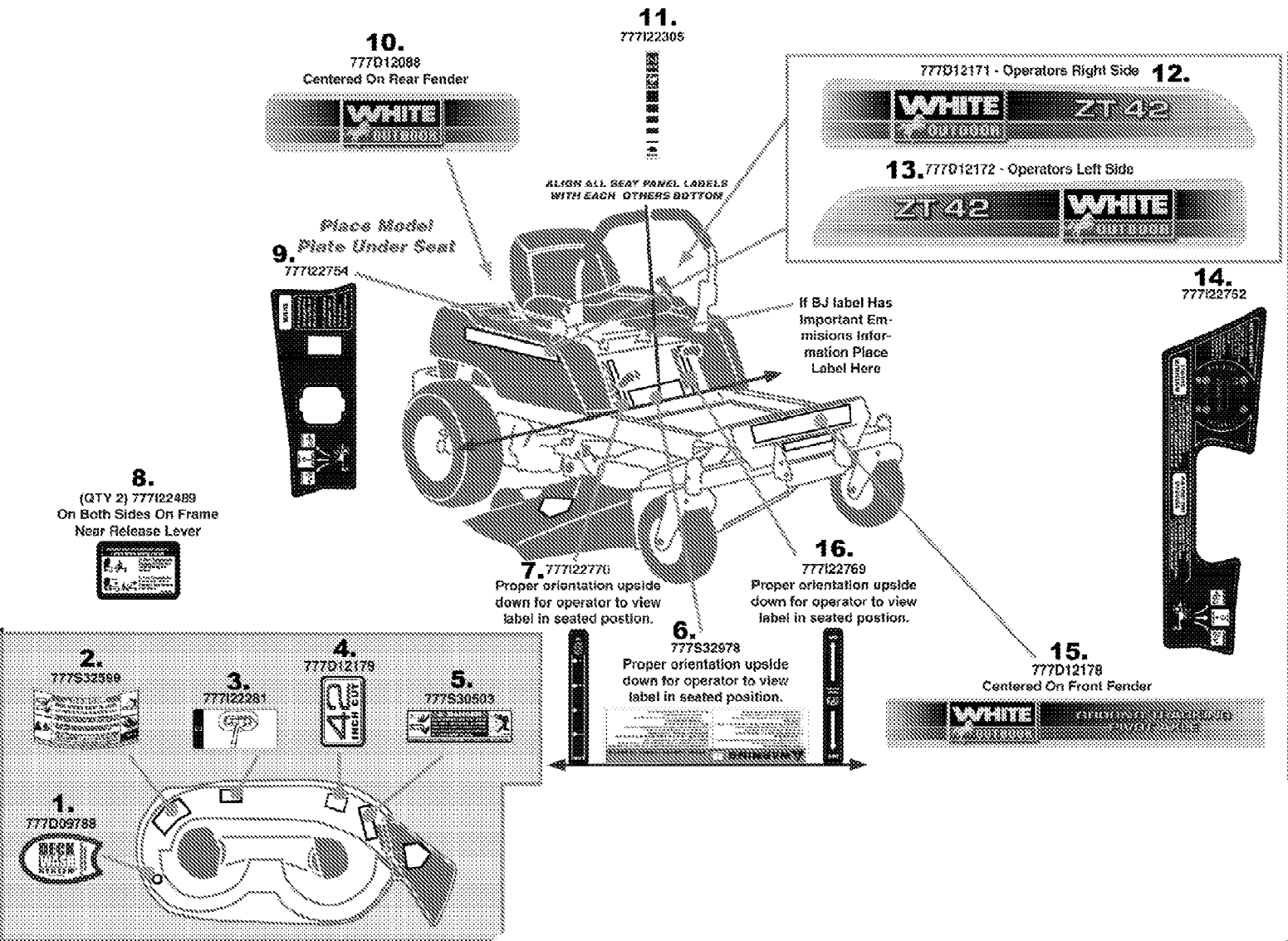
50" & 54"



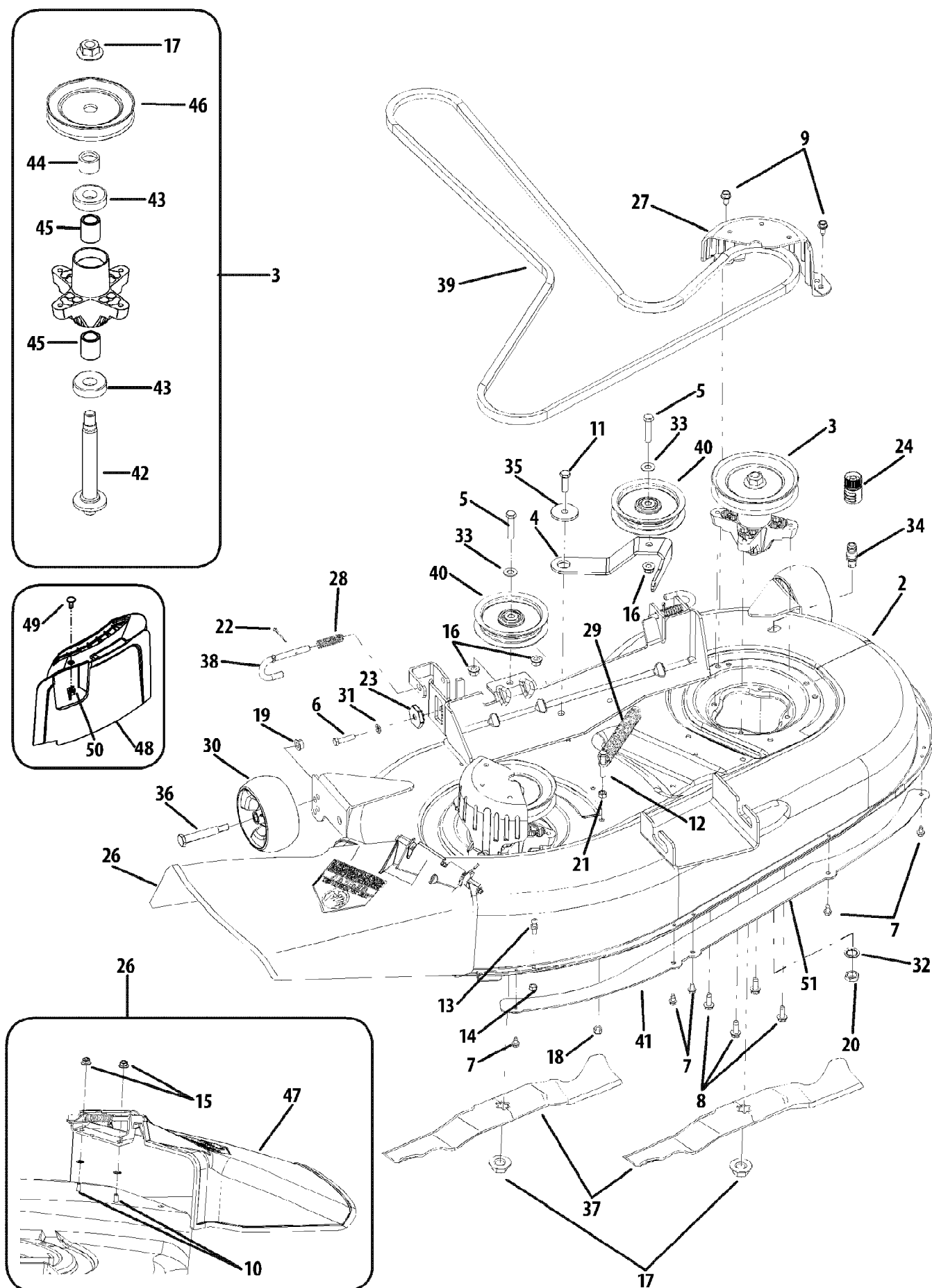
ZT-42 17AJ2ACG (2008)
Front Axle & Wheels

Page 44 of 58

Ref #	Part Number	Qty	S/P/F	Description
1	603-04370	1		Castor Wheel Bracket
2	603-04385	1		Front Pivot Axle
3	634-04323A	1	/P	Wheel Assembly, 13 x 5-6
3	734-04255A	1		Tire, 13 x 5-6
4	710-04186	1	/P	Hex Lock Screw, 1/2-13 x 1.25
5	710-04652	1		Hex Cap Screw, 1/2-20 x 7.25
6	710-0514	1	/P	Hex Cap Screw, 3/8 -16 x 1.0
7	711-04228	1	S	Axle Shaft
8	712-3058	1		Hex Insert Lock Nut, 1/2-13
9	731-05500	1		Flange Bearing, 1.0 x 1.246
10	736-0169	1	S	Lock Washer, 3/8
11	736-0227	1	S	Flat Washer, .39 x 1.5 x .134
12	736-0250	1	/P	Flat Washer, 1.0 x 1.75 x .10
13	737-3000	1	S	Lube Fitting, 3/16 Drive
14	750-04775A	1	/P	Spacer, .51 x .75 x 5.825
15	750-04792	1		Hub, .76 x 1.23 x .92
16	603-04148C	1		Front Pivot Axle
17	603-04308	1		Castor Wheel Bracket
18	634-04237A	1	S	Wheel Assembly, 11.0 x 4.0 x 5.0
19	712-3022	1	/P	Hex Lock Nut, 1/2-13 GRB
20	738-04182A	1	/P	Shoulder Screw, .75 x 4.75 x 7/16-14
21	741-0516B	1	/P	Flange Bearing, .76 x 1.0 x 1.2
22	741-0990B	1	/P	Flange Bearing, .76 ID w/Lube Ftg.



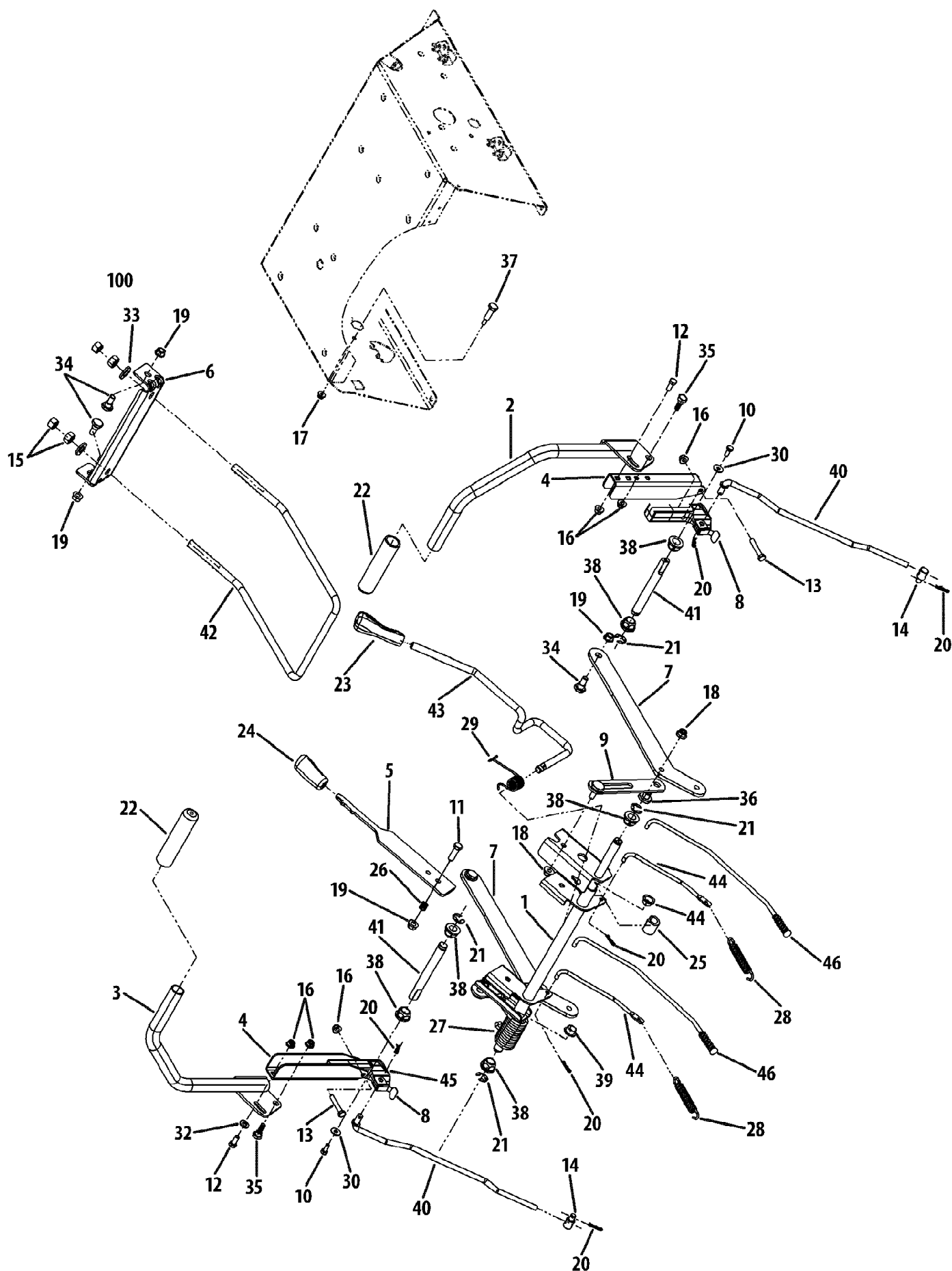
Ref #	Part Number	Qty	S/P/F	Description
1	777D09788	1		LABEL:RIDER:WHITE
2	777S32599	1		LABEL-RZT DECK WARNG CURVE
3	777I22281	1	S	LABEL-BELT ROUTE
4	777D12179	1		LABEL-RZT DECK 42"
5	777S30503	1	/P	LABEL-DANGER CHUTE
6	777S32978	1		LABEL-COMMON WARNING
7	777I22770	1		LABEL-HANDLE HEIGHT
8	777I22489	1		LABEL-TRNMSN RELEASE
9	777I22754	1		LABEL-RH CONTROL
10	777D12088	1		LABEL-RIDER REAR FENDER WHITE
11	777I22305	1		LABEL-THROTTLE
12	777D12171	1		LABEL-ZT 42 WHITE OUTDR RH
13	777D12172	1		LABEL-ZT 42 WHITE OUTDR LH
14	777I22752	1		LABEL-LH CONTROL
15	777D12178	1		LABEL-RZT FRONT WHITE LOGO
16	777I22769	1		LABEL-PARK BRAKE



ZT-42 17AJ2ACG (2008)
Mower Deck ZT42

Page 48 of 58

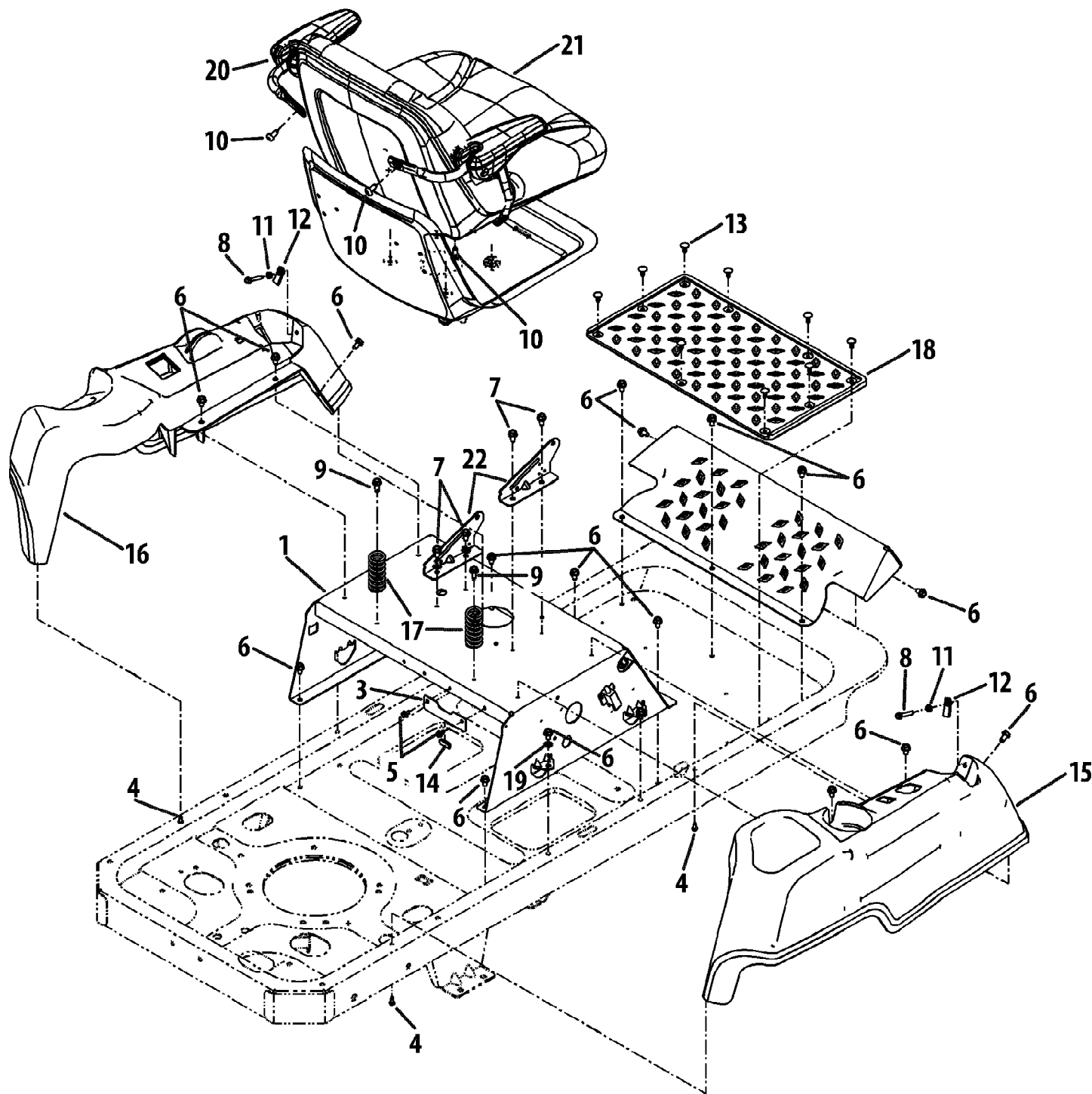
Ref #	Part Number	Qty	S/P/F	Description
1	603-04156	1		Deck Lift Bracket
2	603-04335C	1		Deck Housing
3	618-0624	1	S	Spindle Assembly
4	703-05824B	1	/P	Idler Arm
5	710-0347	1	/P	Hex Cap Screw, 3/8-16 x 1.75
6	710-0528	1	/P	Hex Cap Screw, 5/16-18 x 1.25
7	710-0599	1	/P	Hex Washer Head Screw, 1/4-20 x .5
8	710-1260A	1	/P	Hex Washer Head Screw, 5/16-18 x .75
9	710-0726	1	/P	Hex Washer Head Screw, 5/16-12 x .75
10	710-0751	1	/P	Hex Cap Screw, 1/4-20 x .62
11	710-3005	1	/P	Hex Cap Screw, 3/8-16 x 1.25
12	710-3180	1	/P	Hex Cap Screw, 5/16-18 x 1.75
13	711-04069	1	S	Grass Catcher Pin, 1/4-20
14	712-0324	1	/P	Hex Insert Lock Nut, 1/4-20
15	712-04064	1	/P	Hex Insert Flange Lock Nut, 1/4-20
16	712-04065	1	/P	Hex Insert Flange Lock Nut, 3/8 -16
17	712-0417A	1	/P	Hex Flange Nut, 5/8 -18
18	712-0429	1	S	Hex Insert Lock, 5/16-18
19	712-0431	1	S	Hex Flange Lock Nut, 3/8-16
20	712-0641	1	S	Hex Nut, M16-1.5
21	712-3010	1	S	Hex Nut, 5/16-18
22	714-0470	1	S	Cotter Pin, 1/8 x 1.25
23	717-04074	1	S	Deck Adjustment Gear
24	721-04041	1	S	Water Nozzle Adapter
25	726-0233	1	/P	Push Nut, .25 x .5
26	731-1032B	1	S	Discharge Chute Assembly
27	731-2231B	1	/P	Belt Cover
28	732-0306	1	S	Compression Spring
29	732-0459	1	S	Extension Spring, .94 Dia. x 6.74
30	734-04155	1		Deck Ball Wheel, 5.0
31	736-0119	1	S	Lock Washer, 5/16
32	736-0225	1	/P	Lock Washer
33	736-3072	1	/P	Flat Washer, .38 x .93 x .11
34	737-04003C	1	S	Deck Water Nozzle
35	738-04162A	1	/P	Shoulder Spacer, .884 x .19
36	738-3056	1	S	Shoulder Screw, .5 x 2.5 x 3/8 -16
37	942-0616A	1	/P	Blade, 3 in 1, 21.23
38	747-1116	1	/P	Deck Hanger Rod
39	754-04137	1	S	V-Belt Type A Sec x 114.1
40	756-04129	1	S	Idler Pulley, 4.25 Dia
41	783-1146A	1	S	Deck Skirt
42	738-1010A	1	/P	Spindle Shaft, 5.75
43	741-0919	1	S	Ball Bearing
44	748-0433	1		Spacer, .820 x 1.15 x .73
45	750-1000	1		Spacer, .8 x 1.10 x 1.322
46	756-1227	1	S	Deck Pulley, 6.3 Dia
47	N/A	1		Chute Deflector Order Ref. No. 26
48	731-2363	1	/P	Mulch Plug
49	710-0134	1	/P	Carriage Screw, 1/4-20 x .62
50	712-3087	1	/P	Wing Nut, 1/4-20
51	783-1146A	1	S	Deck Skirt



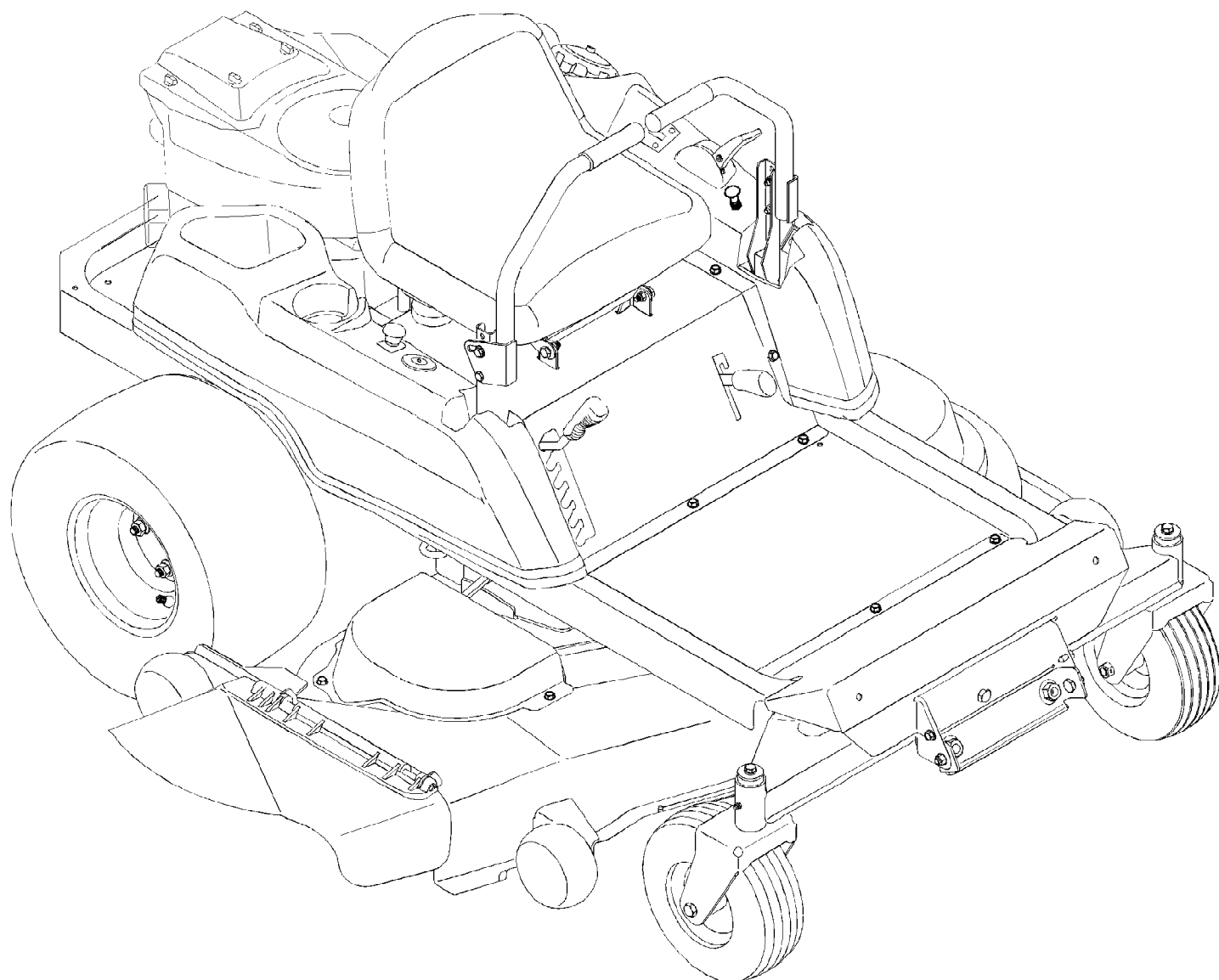
ZT-42 17AJ2ACG (2008)
Operators Control

Page 50 of 58

Ref #	Part Number	Qty	S/P/F	Description
1	603-04160B	1	S	Deck Lift Shift Assembly
2	603-04322	1		Lapbar Lever Assembly (RH)
3	603-04324	1		Lapbar Lever Assembly (LH)
4	703-05387B	1	/P	Lapbar Pivot Bracket
5	703-05396A	1	S	Brake Handle
6	703-05414A	1		Front Deck Hanger Bracket
7	703-05793A	1		Deck Lift Arm Plate
8	703-06096	1		Switch Actuator Bracket
9	703-06169	1	S	Lift Link Plate, 5.50 Lg
10	710-0433	1	/P	Hex Lock Screw, 1/4-20 x .625
11	710-3005	1	/P	Hex Screw, 3/8 -16 x 1.25
12	710-3008	1	/P	Hex Screw, 5/16-18 x .75
13	710-3180	1	/P	Hex Screw, 5/16-18 x 1.75
14	711-0832	1	S	Ferrule, 3/8 -24 x .375
15	712-0206	1	S	Hex Nut, 1/2-13
16	712-04063	1	/P	Flange Lock Nut, 5/16-18
17	712-04064	1	/P	Flange Lock Nut, 1/4-20
18	712-04065	1	/P	Flange Lock Nut, 3/8 -16
19	712-0431	1	S	Flange Lock Nut, 3/8-16
20	714-0104	1	S	Cotter Pin, .072 x 1.13
21	716-0106	1	/P	E-Ring, .625
22	720-0274	1	/P	Grip, 1.0 x 5.0
23	720-0311	1		Handle Grip, 1/2
24	731-04735	1		Selector Handle
25	731-05732	1		Spacer, .62 x 1.00
26	732-0334	1	S	Compression Spring, .50 x .50
27	732-04420	1		Torsion Spring, 1.194 (50" & 54")
28	732-04432	1		Extension Spring, .59 x 4.00 (54")
29	732-0874	1	/P	Torsion Spring
30	736-0270	1	/P	Bell Washer, .265 x .75 x .062
31	736-0272	1	S	Flat Washer, .510 x 1.00 x .060
32	736-0275	1	S	Flat Washer, .344 x .688 x .065
33	736-3019	1		Flat Washer, .531 x 1.062 x .134
34	738-0143	1	/P	Shoulder Screw, .496 x .336 x 3/8-16
35	738-0296	1	S	Shoulder Screw, .437 x .268 x 5/16-18
36	738-0507B	1	S	Shoulder Screw, .500 x .434
37	738-0572	1	S	Shoulder Screw, .374 x 1.16
38	741-0225	1	S	Hex Flange Bearing
39	741-3074	1		Flange Bearing, .626 x .938 x .344
40	747-04225A	1	/P	Lapbar Control Rod
41	747-04226	1	S	Shaft Control
42	747-04401A	1		Deck Lift Front Hanger Rod
43	747-04637	1		Deck Lift Handle Rod
44	747-04651	1		Brake Rod (54")
45	748-04169	1		Control Hub
46	748-04169	1		Brake Rod Assembly (42" & 50")



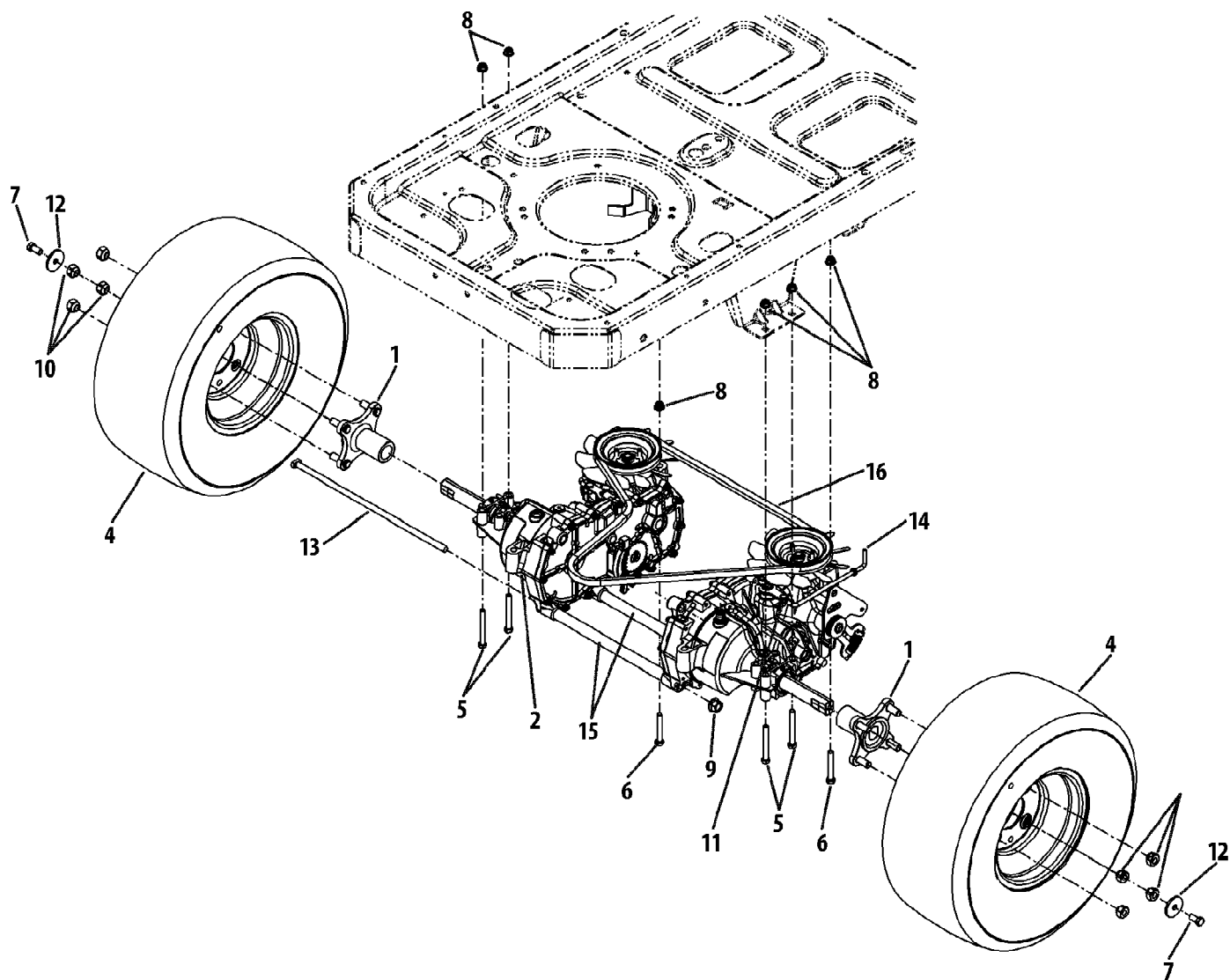
Ref #	Part Number	Qty	S/P/F	Description
1	603-04447A	1		Seat Frame Assembly
2	703-05373B	1		Foot Rest Bracket
3	703-05894	1	S	Battery Hold Down Bracket
4	710-04261	1		Hex Washer Hd. Screw, #12-16 x .50
5	710-0599	1	/P	Hex Washer Hd. Screw, 1/4-20 x .500
6	710-0604A	1	/P	Hex Washer Hd. Screw, 5/16-18 x .625
7	710-0726	1	/P	Hex Washer Hd. Screw, 5/16-12 x .750
8	710-0778	1	/P	Hex Wshr. Hd. Screw, 1/4-20 x 1.500
9	710-1260A	1	/P	Hex Wshr. Hd. Screw, 5/16-18 x .750
10	710-1611B	1	/P	Hex Screw, 5/16-18 x .750 54" Deck
11	712-0298	1	S	Jam Nut, 1/4-20
12	712-04092	1		Speed Nut, 1/4-20
13	728-3046	1		Ratchet Clip, .250
14	731-0511	1	/P	Trim Strip
15	731-06309	1	S	Console (RH) Oyster Gray 54" Deck, 42" & 50" Deck with Gray Console & Seat
15	731-04662D	1	S	Console (RH) Black 42" & 50" Deck with Black Console & Seat
16	731-06310	1	S	Console (LH) Oyster Gray 54" Deck, 42" & 50" Deck with Gray Console & Seat
16	731-04663C	1	S	Console (LH) Black 42" & 50" Deck with Black Console & Seat
17	732-04035	1		Compression Spring, 1.28 x 3.125
18	735-04082	1		Foot Pad
19	736-0148	1		External Tooth Lock Washer, 3/8
20	757-04046	1		Arm Rest Kit 54" Deck, Use with 757-04077 Seat
21	757-04077	1		High Back Seat, Gray 54" Deck, Arm rest capable, order separately
21	757-04075	1		High Back Seat, Gray 42" & 50" Deck with Gray Console & Seat
21	757-04041	1		High Back Seat, Black 42" & 50" Deck with Black Console & Seat
22	783-1489C	1		Seat Bracket



ZT-42 17AJ2ACG (2008)
Quick Reference ZT42

Page 54 of 58

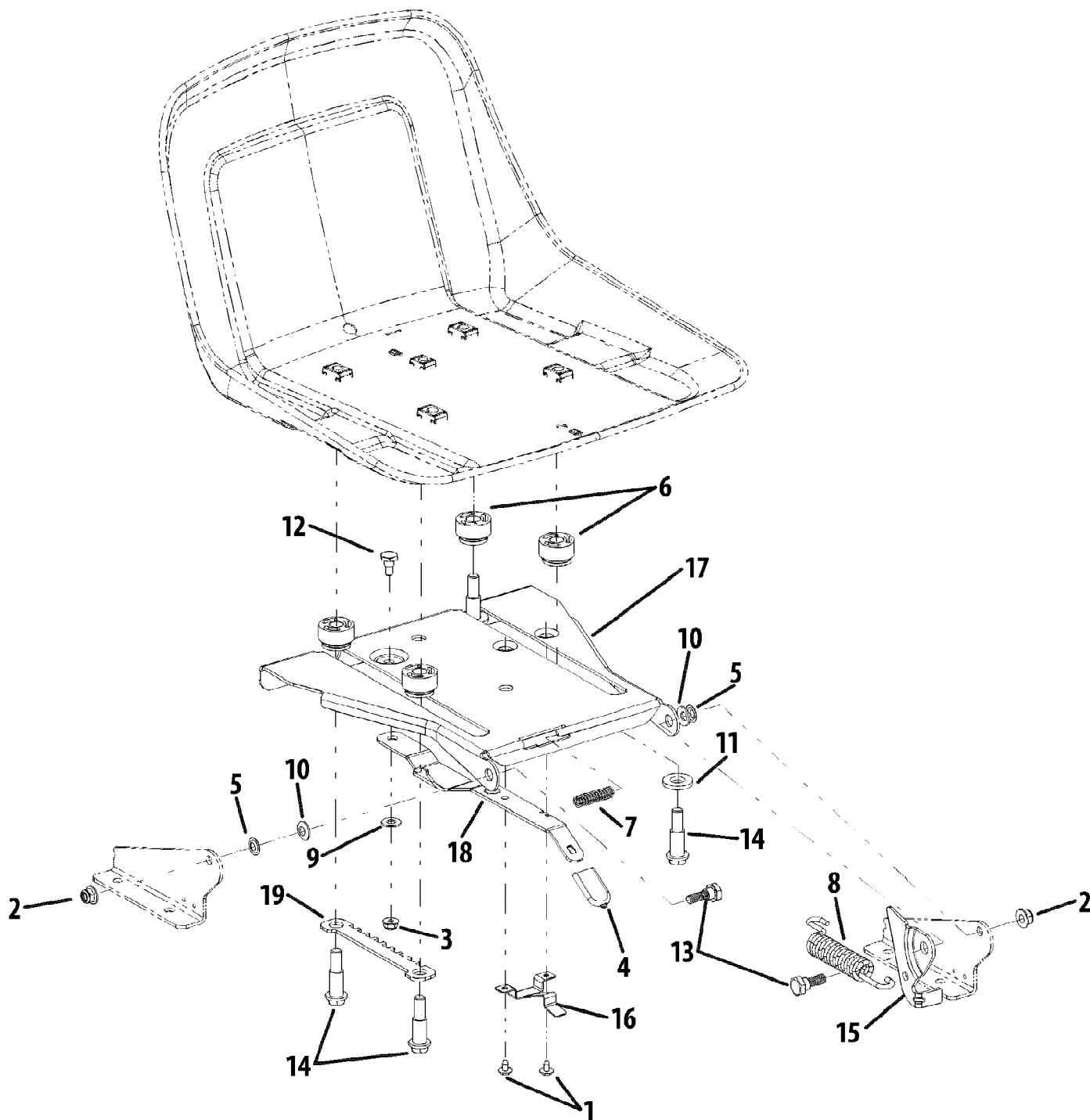
Ref #	Part Number	Qty	S/P/F	Description
	BS-696854	1	/P	OIL FILTER
	BS-697153	1	S	AIR FILTER w/Pre-Cleaner
	BS-697015	1	/P	PRE-CLEANER ELEMENT
	759-3336	1	/P	SPARK PLUG
	BS-695666	1	S	FUEL FILTER
	942-0616A	2	/P	BLADES
	712-0417A	1	/P	BLADE NUT
	NA	1		UPPER DRIVE BELT
	954-04043A	1	/P	LOWER DRIVE BELT
	954-04137	1	S	DECK SPINDLE BELT
	NA	1		ENGINE TO DECK BELT
	918-0624	2	S	DECK SPINDLES
	925-1745	1	S	IGNITION KEYS
	725-04439	1		SOLENOID
	951-3124D	1	S	FUEL CAP
	734-04155	2		DECK WHEELS
	NA	1		BALL JOINTS
	741-0516B	1	/P	WHEEL BUSHINGS
	741-0990B	1	/P	WHEEL BUSHINGS in board
	725-04363	1		SAFETY SWITCH-DECK
	725-04363	1		SAFETY SWITCH-BRAKE/CLUTCH
	737-04003C	1	S	WATER NOZZLE ADAPTER
	590-302-000	1		Double Bagger
	190-116-000	1		Mulch Plug



ZT-42 17AJ2ACG (2008)
Rear Drive & Wheels ZT42 & ZT50

Page 56 of 58

Ref #	Part Number	Qty	S/P/F	Description
1	618-04317	1	S	Wheel Hub
2	618-04431A	1	S	Transmission Assembly (LH)
3	618-04432A	1	S	Transmission Assembly (RH)
4	634-04294	1		Wheel Assembly, 18 x 6.5 x 8 ZT-42
4	734-04246	1		Tire, 18 x 6.5 x 8 ZT-42, Not shown
4	734-0255	1	S	Valve Assembly, ZT-42, Not shown
4	634-04171	1	S	Wheel Assembly, 18 x 9.5 x 8 ZT-50
4	734-1729	1		Tire, 18 x 9.5 x 8 ZT-50, Not shown
4	603-04175	1		Rim Assembly ZT-50, Not shown
4	734-0255	1	S	Valve Assembly ZT-50, Not shown
5	710-0176	1	/P	Hex Cap Screw, 5/16-18 x 2.75
6	710-0395	1	/P	Hex Cap Screw, 5/16-18 x 2.25
7	710-3119	1	/P	Hex Cap Screw Lock, 3/8 -16 x .75
8	712-04063	1	/P	Hx Flnge Insert Lck Nut, 5/16-18
9	712-0459	1	/P	Hex Flange Lock Nut, 7/16-20
10	712-3050	1	/P	Lug Nut, 7/16-14
11	714-0507	1	S	Cotter Pin, 3/32 x .75
12	736-0227	1	S	Flat Washer, .39 x 1.5 .134
13	738-04192	1		Rod, .405 x 14.0
14	747-04217C	1	S	Bypass Rod
15	750-04561	1		Tube, .45 x .69 x 10.2
16	754-04043	1	S	Type A Sec V-Belt x 57.7



ZT-42 17AJ2ACG (2008)
Seat Adjustment

Page 58 of 58

Ref #	Part Number	Qty	S/P/F	Description
1	710-1268	1	/P	Hex Hd. Wshr Screw, #10-16 x .375
2	712-04063	1	/P	Flangelock Nut, 5/16-18
3	712-04064	1	/P	Flangelock Nut, 1/4-20
4	720-0309A	1	/P	Seat Adjustment Grip
5	726-0201	1		Speed Nut, .3125
6	731-04074	1		Seat Adjustment Spacer
7	732-0499	1		Compression Spring, .41 x 1.50
8	732-1184	1	/P	Extension Spring, .84 x 4.6
9	736-0204	1	/P	Flat Washer, .344 x .62 x .033
10	736-0242	1	/P	Bell Washer, .340 x .872 x .060
11	736-3019	1		Flat Washer, .531 x 1.062 x .134
12	738-0137A	1	S	Shoulder Screw, .340 x .285 x 1/4-20
13	738-0296	1	S	Shoulder Screw, .437 x .268 x 5/16-18
14	738-0966A	1	/P	Shoulder Bolt, .50 x .925 x 3/8 -16
15	783-0209D	1	/P	Seat Lift Bracket
16	783-0611	1		Seat Adjustment Stop
17	783-0738D	1	/P	Seat Pivot Bracket
18	783-0739A	1	S	Seat Adjustment Lever
19	783-0753	1		Seat Adjustment Selector