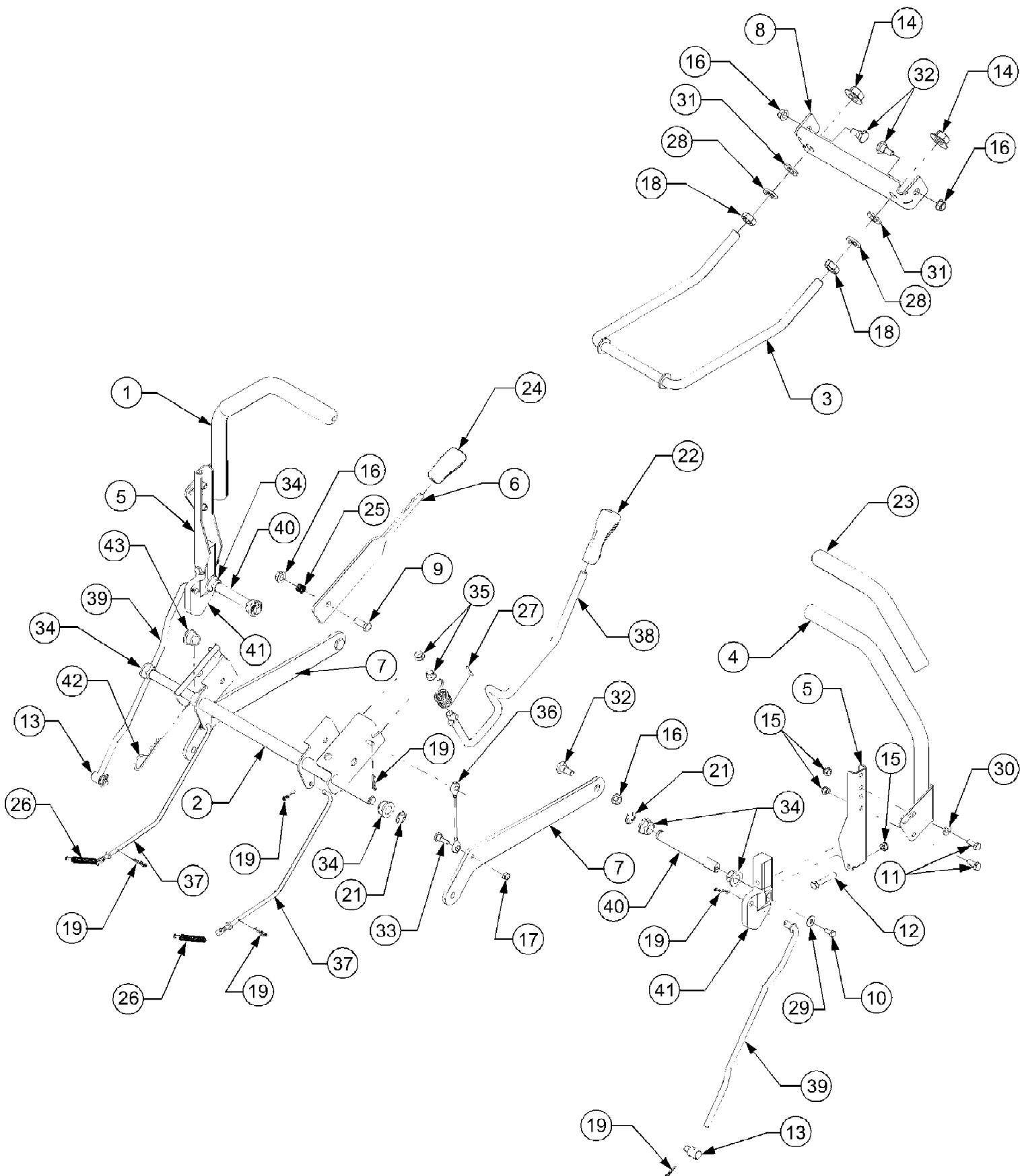




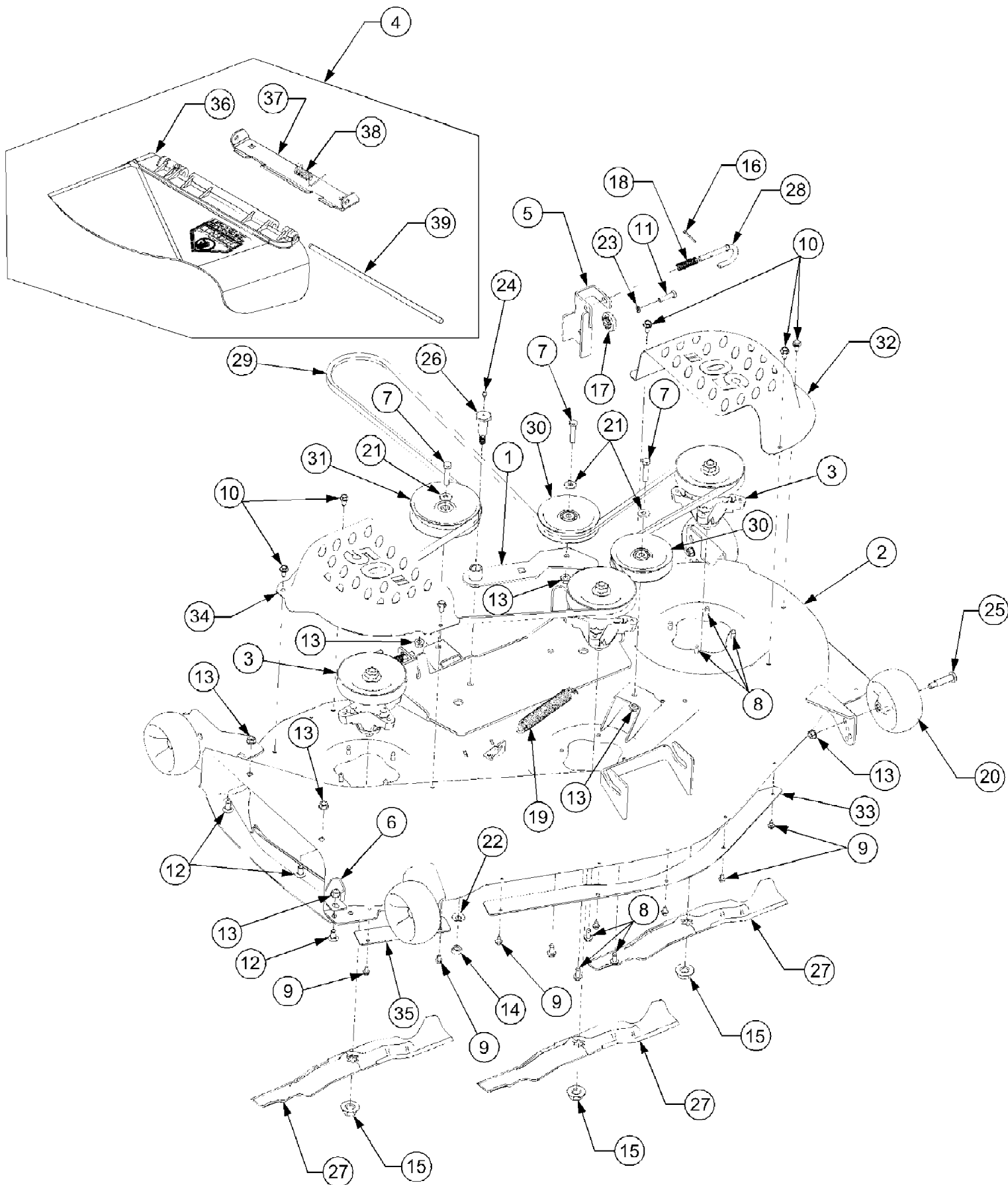
ZT-22 (2004)  
Console

Page 2 of 22

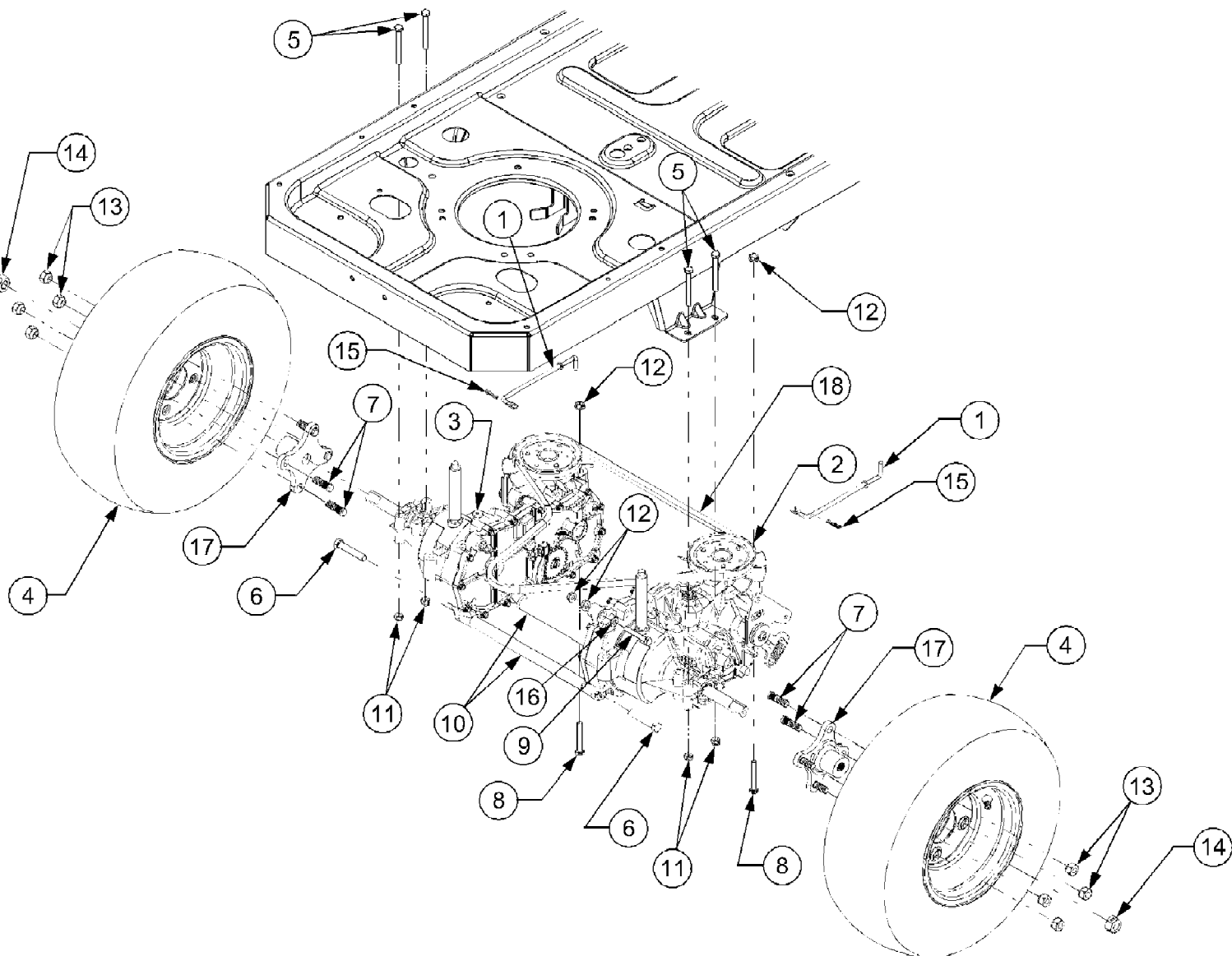
Ref #	Part Number	Qty	S/P/F	Description
1	603-04143	1		Frame, Seat Box
	777I22306	1		Graphic, Park Brake
	777S32354	1	S	Graphic, Warning
	777I22307	1		Graphic, Deck Height
2	703-05373	1		Bracket, Foot Rest
	777D08312	1		Graphic, White Outdoor
3	703-05460	2	S	Bracket, Console Mounting
4	703-05467	2		Bracket, Switch Mounting
5	710-04261	8		Screw, Hex Wash. Hd Tapp #12-16 x .50
6	710-0599	8	/P	Screw, Hex Wash. Hd. Tapp. 1/4-20 x .5
7	710-0604A	20	/P	Screw, Hex Wash. Hd. Tapp 5/16-18 x .625
8	710-0778	2	/P	Screw, Hex Wash. Hd. Tapp. 1/4-20 x 1.5
9	710-1268	2	/P	Screw, Hex Wash. Hd Tapp #10-16 x .375
10	710-3005	2	/P	Screw, Hex Cap, 3/8-16 x 1.25 GR5
11	710-0347	2	/P	Screw, Hex Cap, 3/8-16 x 1,75 GR5
12	712-0185	2		Nut, U Type Speed
13	712-0298	2	S	Nut, Hex Jam, 1/4-20 GR2
14	712-0429	2	S	Nut, Hex Insert Lock, 5/16-18 GR5
15	712-0431	2	S	Nut, Hex Flange Lock, 3/8-16 GRF
16	720-04042	2		Knob, 5/16-18 x 1.75
17	725-3166	1	S	Switch, Seat, Snap Mount, N.C.
18	731-04662	1		Console, LH
	777I22304	1		Graphic, Instruction ZT17
	777I22308	1		Graphic, Instruction ZT22
	777D08311	1		Graphic, White Outdoor
	777I22305	1		Graphic, Throttle Control - ZT17
	777I22309	.		Graphic, Throttle Control - ZT22
19	731-04663	1		Console, RH
	777I22303	1		Graphic, Instruction
	777D08310	1		Graphic, White Outdoor
20	732-04200	2	/P	Spring, Switch Actuator
21	735-04041	2		Pad, Seat
22	736-0267	2	S	Washer, Flat HT, .395 x .87 x .06
23	736-0247	2	/P	Washer, Flat HDN, .406 x 1.25 x .157
24	738-0296	2	S	Screw, Shoulder, .437 x .268: 5/16-18
25	750-04301	2		Spacer, Seat Adjustment
26	750-04302	2		Spacer, Seat Mounting
27	757-04023	1	S	Seat
28	783-04081A	1		Bracket, Seat Pivot
29	723-04020	1		Pad, Abrasive Foot Plate
30	723-04021	1		Pad, Abrasive Toe Plate



Ref #	Part Number	Qty	S/P/F	Description
1	603-04150	1	S	Lever, Lapbar, LH
2	603-04160	1	S	Shaft Assembly, Deck Lift
3	603-04161	1	S	Rod, Deck Front Hanger
4	603-04181	1	S	Lever, Lapbar, RH
5	703-05387	2	S	Bracket, Lapbar Pivot
6	703-05396	1	S	Handle, Brake
7	703-05401	2	S	Arm, Deck Lift
8	703-05414	1		Bracket, Front Deck Hanger
9	710-0514	1	/P	Screw, Hex Cap, 3/8-16 x 1.0 GR5
10	710-0751	2	/P	Screw, Hex Cap, 1/4-20 x .62 GR5
11	710-3008	4	/P	Screw, Hex Cap, 5/16-18 x .75 GR5
12	710-3180	2	/P	Screw, Hex Cap, 5/16-18 x 1.75 GR5
13	711-0198	2	S	Ferrule, 3/8-24 x .375
14	712-0417A	2	/P	Nut, Hex Flange, 5/8-18
15	712-0429	6	S	Nut, Hex Insert Lock, 5/16-18 GR5
16	712-0431	5	S	Nut, Hex Flange Lock, 3/8-16 GRF
17	712-0896	2		Nut, Hex Insert Lock, 1/4-28 GR2
18	712-3056	2	/P	Nut, Hex Jam, 5/8-18 GR5
19	714-0104	10	S	Pin, Internal Cotter
21	716-0106	4	/P	E-Ring , .625 Dia. Shaft
22	720-0311	1		Grip, Handle
23	731-04719	2	S	Grip, Lapbar
24	731-04735	1		Grip, Handle
25	732-0334	1	S	Spring, Compression
26	732-0611	2	S	Spring, Extension
27	732-0874	1	/P	Spring, Torsion
28	736-0158	2	S	Washer, Lock, 5/8
29	736-0270	2	/P	Washer, Bell, .265 x .75 x .062
30	736-0275	2	S	Washer, Flat, .344 x .688 x .065
31	736-0366	2	/P	Washer, Flat, .64 x 1.12 x .125
32	738-0143	4	/P	Screw, Shoulder, .498 x .340:3/8-16
33	738-04100	2		Screw, Shoulder, 1/4-28 x .375
34	741-0225	6	S	Bearing, Hex Flange
35	741-0715	2	S	Bearing, Flange Snap, .50 ID
36	746-0970	2		Cable, Deck Lift, 5.05 Long
37	747-04218	2		Rod, Brake
38	747-04224	1		Rod, Deck Lift Handle
39	747-04225	2	S	Rod, Lapbar Control
40	747-04226	2	S	Shaft, Control
41	748-04052	2		Hub, Control
42	714-3020	1	/P	Pin, Internal Cotter
43	741-3074	2		Bearing, Flange, .626 x .938 x .344



Ref #	Part Number	Qty	S/P/F	Description
1	603-04154	1		Arm, Idler
2	603-04153	1	S	Housing, Deck
	777S30015	1		Graphic, Danger
	777S30503	1	/P	Graphic, Danger
	777I22282	1	S	Graphic, Instruction
3	618-04126	3	S	Spindle Assembly
	756-1171	1		Pulley, 5.39 Dia
	741-0919	1	S	Ball Bearing, .787 x 1.85 x .551
	738-1010A	1	/P	Shaft, Spindle, 5.75
	750-1349	1	S	Spacer, 79 x 1.84 x .55 lower
	736-0315	1	/P	Washer, Flat, .760 x 1.5 x .120
	712-0417A	1	/P	Nut, Hex, Flange, 5/8-18
4	631-04070	1	S	Chute Assembly, Discharge
	777S30284	1	S	Graphic, Danger
5	683-0254	1	S	Bracket, Deck Hanger
6	703-3279	1		Bracket, Stop
7	710-0347	3	/P	Screw, Hex Cap, 3/8-16 x 1.75 GR5
8	710-1260A	12	/P	Screw, Hex Wash. Hd. Tapp 5/16-18 x .75
9	710-0599	7	/P	Screw, Hex Wash. Hd. Tapp 1/4-20 x .5
10	710-0726	6	/P	Screw, Hex Wash. Hd. Tapp 5/16-12 x .75
11	710-0528	1	/P	Screw, Hex Cap, 5/16-18 x 1.25 GR5
12	710-3178	3	/P	Screw, Carriage, 3/8-16 x .75
13	712-0431	10	S	Nut, Hex Flange Lock, 3/8-16 GRF
14	712-3019	1	S	Nut, Hex, 7/16-14
15	712-0417A	3	/P	Nut, Hex Flange, 5/8-18
16	714-0470	2	S	Pin, Cotter, 1/8 x 1.25
17	717-1553B	1	S	Gear, Deck Adjustment
18	732-0306A	2	S	Spring, Compression
19	732-0459	1	S	Spring, Extension, .94 Dia. x 6.74
20	734-04039	4	S	Wheel, Deck Ball, 5.0
21	736-3072	3	/P	Washer, Flat, .38 x .93 x .110 HT
22	736-0407	1		Washer, Bell, .45 x 1.0 x .062
23	736-0119	1	S	Washer, Lock, 5/16
24	737-3000	1	S	Fitting, Lube, 3/16 Drive
25	738-0373	4	S	Screw, Shoulder, .498 x 1.53:3/8-16
26	738-3005A	1	S	Screw, Shoulder, .68 x 1.59
27	742-04053	3	S	Blade, 2 in 1, 17.9 Lg
28	747-1116	2	/P	Rod, Deck Hanger
29	754-04044	1	S	Belt V, Type A Sec x 134
30	756-1229	2		Pulley, Idler, 4.06 Dia
31	756-3062	1		Pulley, Idler, 5.0 Dia
32	783-04399	1		Cover, Belt LH
33	783-04414	1	S	Skirt, Center
34	783-04400	1		Cover, Belt RH
35	783-04415	1		Skirt, RH
36	731-3131A	1	S	Chute, Deflector
37	783-04470	1	/P	Bracket, Chute Mounting
38	732-3070	1	S	Spring, Torsion
39	711-1762	1		Pin, Hinge

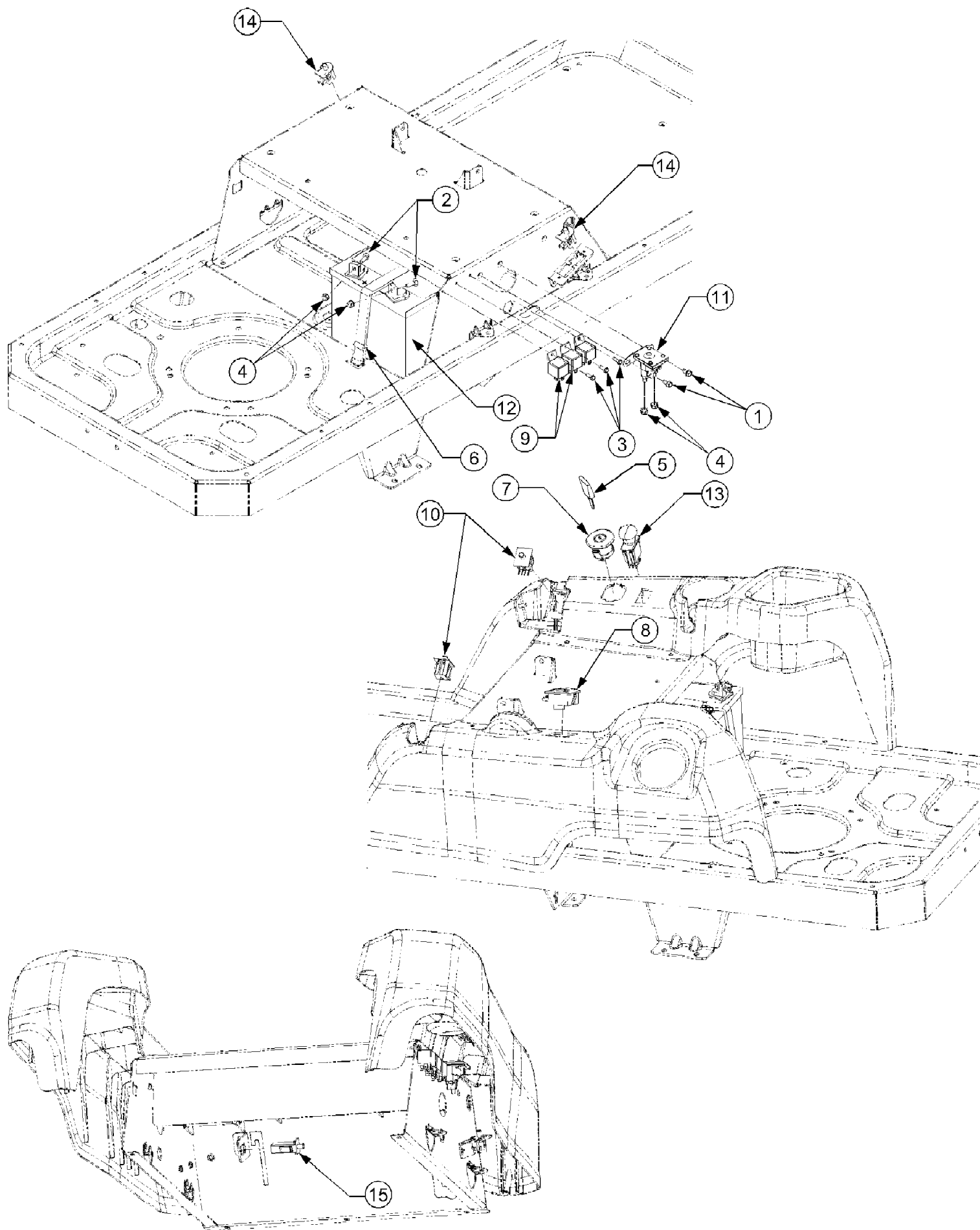


ZT-22 (2004)  
Drive

Page 8 of 22

Ref #	Part Number	Qty	S/P/F	Description
1	603-04178	2	S	Rod, Bypass
2	759-04145	1		Transmission Assembly, RH, Service Kit replaces 618-04163 NLA
	732-04448	1	/P	Neutral Return Spring Included in service kit, not shown, must have the same color neutral return spring on RH & LH transmission
	618-04432A	1	S	Transmission, RH Double D axle
3	759-04144	1		Transmission Assembly, LH, Service Kit replaces 618-04164 NLA
	732-04448	1	/P	Neutral Return Spring Included in service kit, not shown, must have the same color neutral return spring on RH & LH transmission
	618-04431A	1	S	Transmission, LH Double D axle
4	634-04171	2	S	Wheel Assembly, 18 x 9.5 x 8
4	734-1729	2		Tire, 18 x 9.5 x 8
4	734-0255	2	S	Valve Assembly
5	710-0176	4	/P	Screw, Hex Cap, 5/16-18 x 2.75 GR5
6	710-04308	4		Screw, Hex Lock, 7/16-14 x 2.25 GR5
7	710-0852	8	/P	Stud, Rib Neck, 7/16-14 x 1.6
8	710-0395	2	/P	Screw, Hex Cap, 5/16-18 x 2.25 GR5
9	710-3103	2	/P	Screw, Hex Cap, 5/16-18 x 2.0 GR5
10	711-04232	2		Brace, Transmission
11	712-0429	4	S	Nut, Hex Insert Lock, 5/16-18 GR5
12	712-3004A	6	/P	Nut, Hex Flange Lock, 5/16-18 GR5
13	712-3050	8	/P	Nut, Lug, 7/16-14
14	712-04088	2	/P	Nut, Hex Lock, 9/16-18 GR "C"
15	714-0104	2	S	Pin, Internal Cotter
16	736-0275	2	S	Washer, Flat, .344 x .688 x .065
17	748-04055	2	S	Hub, Wheel Spline
17	618-04317	2	S	Hub, Wheel Double D Included in service kit, not shown
18	754-04043	1	S	V-Belt, Type A Sec x 57.7
	710-3119	1	/P	SCREW:3/8"-16 x .750:GR5:LOCK Included in service kit, not shown
	726-04059	1		CLAMP:HOSE: .750 Included in service kit, not shown
	736-0227	1	S	WASHER:FLAT: .390 x 1.50 x .134 Included in service kit, not shown
	751-10474	1		HOSE:BREATHER Included in service kit, not shown
	737-3120	1	/P	Drive System Fluid Not shown

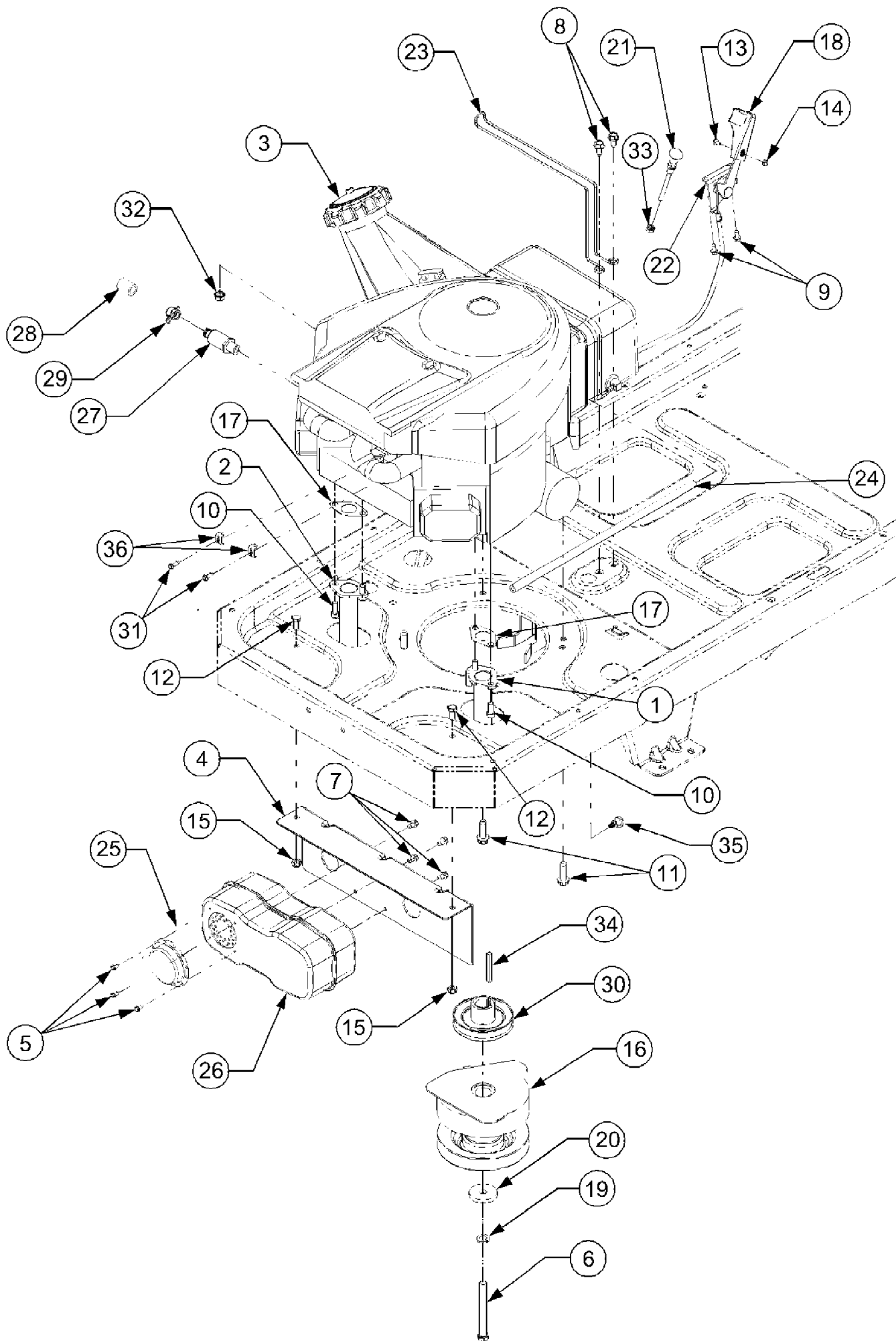




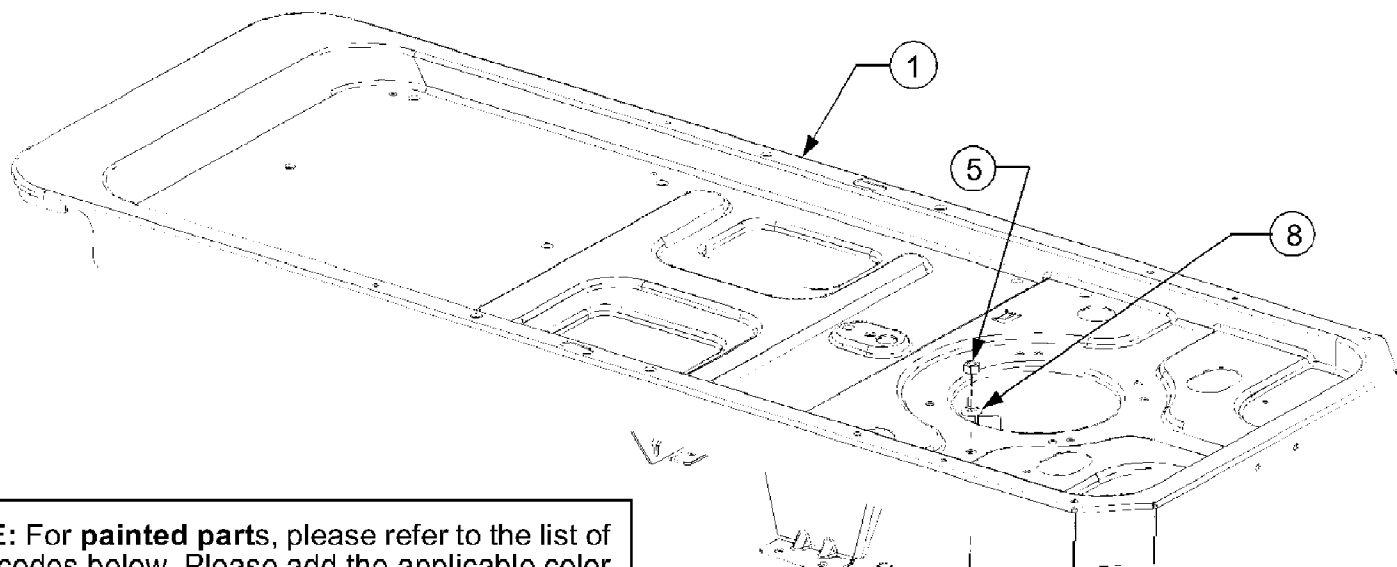
ZT-22 (2004)  
Electrical

Page 10 of 22

Ref #	Part Number	Qty	S/P/F	Description
1	710-0599	2	/P	Screw, Hex Wash. Hd. Tapp, 1/4-20 x .5
2	710-3015	2	/P	Screw, Hex Cap, 1/4-20 x .75 GR5
3	710-1237	3		Screw, Hex Wash. Hd. Tapp #10-32 x .625
4	712-0271	4	/P	Nut, Hex Sems, 1/4-20
5	925-1745	1	S	Key
6	723-0467	1		Strap, Battery
	732-0696	2		Hook, Wire Rectangular
7	725-04228	1	S	Switch, Ignition (Replaces 725-04019); Use with 725-04229 Harness Adaptor or 725-04170A Wire Harness Refer to Service Advisory W-127
8	725-04036A	1	S	Meter, Hour
9	725-04164	3	S	Relay
10	725-04165	2	S	Switch, Dbl. Pole - Neutral
11	725-1426	1	S	Solenoid
12	725-1707D	1	S	Battery, 245 CCA
13	725-1716	1	S	Switch, PTO
14	725-3166	2	S	Switch, Snap Mount (N.C.) - Reverse
15	725-3191A	1	S	Switch, Plunger, (N.O./N.O.) - Brake
	725-04170A	1	/P	Harness Assembly, Wire NOT SHOWN; (Replaces 725-04170)
	725-04187	1		Cable Wire, Red - Starter NOT SHOWN
	725-04188	1		Cable Wire, Black - to Ground NOT SHOWN
	625-04023	1	S	Cable Wire, Red - Solenoid NOT SHOWN
	725-04229	1		Harness Adaptor Use with 725-04170



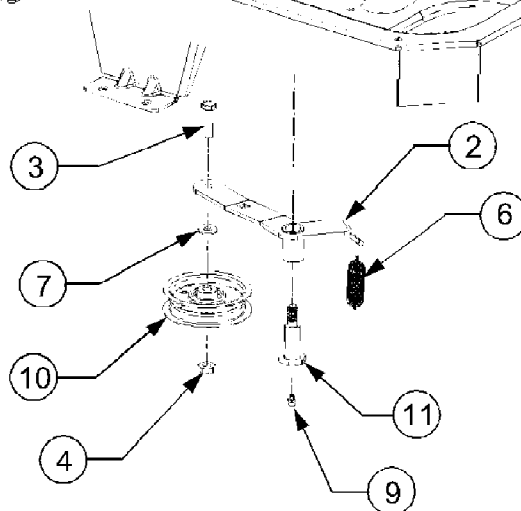
Ref #	Part Number	Qty	S/P/F	Description
1	603-04162	1		Tube, Exhaust RH
2	603-04163	1		Tube, Exhaust LH
3	651-04058	1	S	Tank, Fuel, 3.0 Gal.
3	751-3124B	1	S	Cap, Fuel Not shown
4	703-05441	1	S	Bracket, Muffler Mounting
5	710-0227	3	/P	Screw, Hex Wash. Hd. Tapp #8-18 x .5
6	710-04248	1	/P	Screw, Hex Cap, 7/16-20 x 4.0 GR5
7	710-0599	4	/P	Screw, Hex Wash. Hd. Tapp 1/4-20 x .5
8	710-0726	2	/P	Screw, Hex Wash. Hd. Tapp 5/16-12 x .75
9	710-04261	2		Screw, Hex Wash. Hd. Tapp #12-16 x .5
10	710-1314A	4	/P	Screw, Socket Hd. 5/16-18 x .75
11	710-1315	4	/P	Screw, Hex Wash. Hd. Tapp 3/8-16 x 1.25
12	710-3008	2	/P	Screw, Hex Cap, 5/16-18 x .75 GR5
13	710-3217	1	/P	Screw, Truss Hd. Mach. #8-32 x .375
14	712-0142	1	/P	Nut, Hex, #8-32
15	712-0429	2	S	Nut, Hex Insert Lock, 5/16-18 GR5
16	717-04127	1	S	Clutch Assembly, Electric PTO
17	721-0460	2		Gasket, Exhaust
18	731-3161	1	S	Knob, Throttle Control
19	736-0171	1	S	Washer, Lock, 7/16
20	736-04131	1	/P	Washer, Flat, .438 x 1.75 x .25
21	746-04143	1	S	Cable, Choke, 61Lg
22	746-1086	1	S	Cable, Throttle, 39.0 Lg
23	747-04228	1		Wire, Tank Mounting
24	751-0535-16	1	S	Hose, Fuel Line 16 inches
24	726-0205	2	/P	Clamp, Hose Not shown
25	751-0564A	1	S	Deflector, Muffler
26	751-0616A	1	S	Muffler
27	751-3140	1	S	Valve, Oil Drain
28	751-3141	1	S	Hose, Oil Drain Extension
29	751-3142	1		Cap, Oil Drain Valve
30	756-04102A	1	/P	Pulley, Drive, 3.25 Dia.
31	710-1237	2		Screw, Hex Wash. Hd. Tapp #10-32 x 0.625
32	712-0271	1	/P	Nut, Hex Sems, 1/4-20
33	712-0711	1	/P	Nut, Hex Jam, 3/8-24 GR2
34	714-04037	1		Key, Square, 1/4 x 2.25
35	726-3055	1		Clip, Cable Retainer
36	BS-691024	2	/P	Clamp, Casing



**NOTE:** For **painted parts**, please refer to the list of color codes below. Please add the applicable color code, wherever needed, to the part number to order a replacement part.

For instance, if a part, numbered 700-xxxx, is painted red metallic, the part number to order would be 700-xxxx-0650.

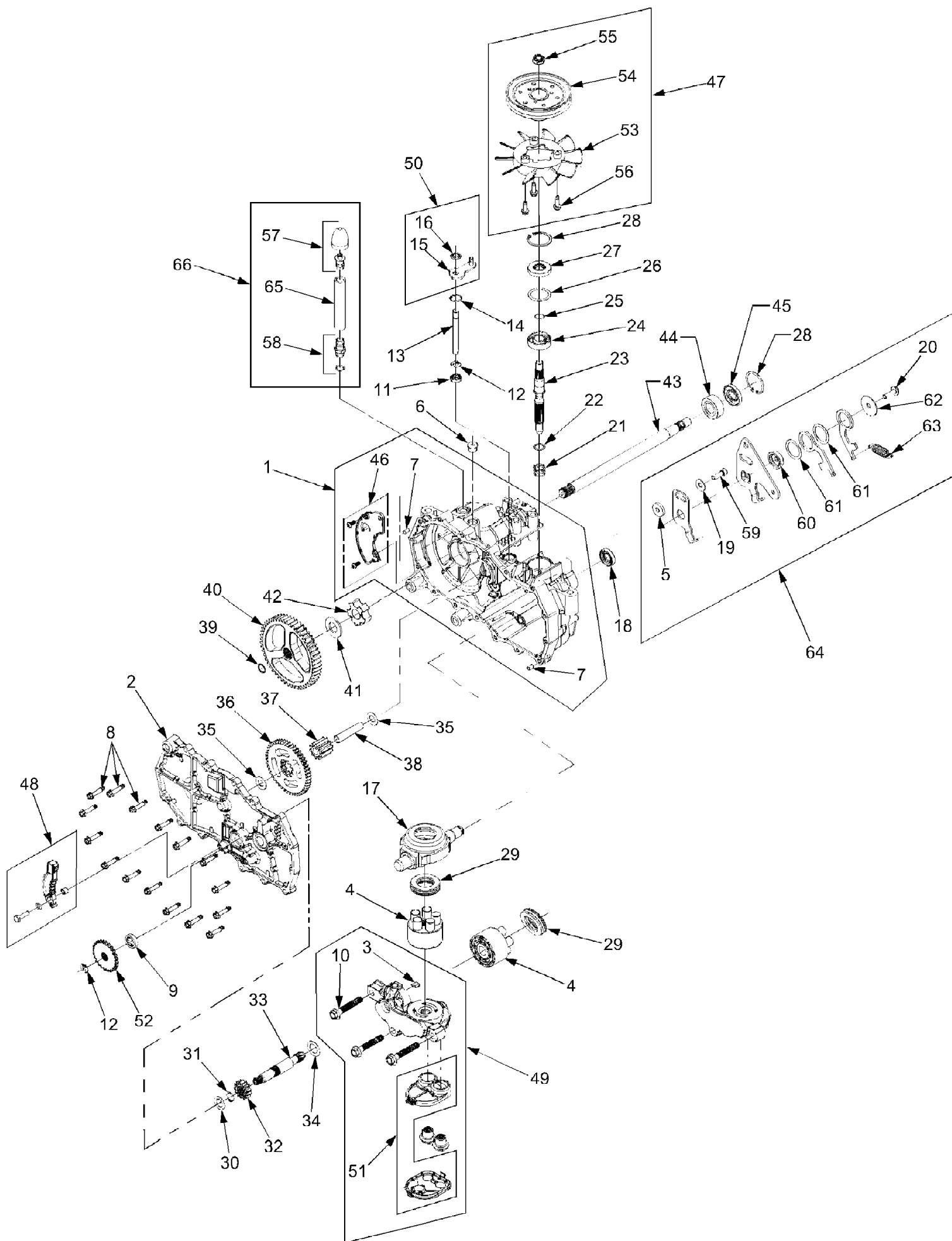
- Red Metallic: 0650
- Oyster Grey: 0662
- Powder Black: 0637



ZT-22 (2004)  
Frame

Page 14 of 22

Ref #	Part Number	Qty	S/P/F	Description
1	603-04142	1	S	Frame Assembly
	777D03399	1		Graphic, White Outdoor
2	603-04147	1	S	Idler Arm, Drive
3	710-0520	1	/P	Screw, Hex Cap, 3/8-16 x 1.5 GR5
4	712-0431	1	S	Nut, Hex Flange Lock, 3/-16 GRF
5	712-0290	1	/P	Nut, Hex Lock, 7/16-14 GRA
6	732-0626	1		Spring, Extension, .75 x 5.06
7	736-0300	1	S	Washer, Flat, .406 x .875 x .059
8	736-0322	1	/P	Washer, Flat, .45 x 1.25 x .164 HT
9	737-3000	1	S	Fitting, Lube, 3/16 Drive
10	738-3005A	1	S	Screw, Shoulder, .68 x 1.59
11	756-0627B	1	S	Pulley, Idler, 3.50 Dia.



ZT-22 (2004)  
LH Transmission

Page 16 of 22

Ref #	Part Number	Qty	S/P/F	Description
1	HG-70862L	1	/P	Housing Assembly, Main
2	HG-70863L	1	/P	Side Assembly,
3	HG-51448	1		Plate, Bypass
4	HG-70331	2	/P	Block Assembly
5	HG-51949	1		Spacer, .32 x 1.005
6	HG-9005110-5600	1	/P	Plug, SAE #6
7	HG-9004800-2506	2		Pin, Stainless
8	HG-51190	16	/P	Screw, Hex Self Tapping, 1/4-20 x 1.25
9	HG-44761	1	S	Seal, Lip, .625 x 1.0 x .25
10	HG-50016	3		Bolt, Hex Flange, 3/8-24 x 2.5
11	HG-51626	1		Seal, Lip, .375 x .75 x .25
12	HG-51628	2	/P	Ring, Retaining, .375 Ext.
13	HG-51625	1		Rod, Bypass
14	HG-51627	1		Ring, Retaining, .75 Int.
15	HG-51910	1		Arm, Bypass
16	HG-51630	1	/P	Ring, Retaining, .375 Push
17	HG-51048	1	/P	Swashplate, Trunnion
18	HG-51140	1	/P	Seal, Lip, 18 x 32 x 7
19	HG-44130	1	S	Washer, Flat, 11/32 x 7/8 x 1/16
20	HG-51812	1	/P	Screw, 5/16-24 x 1.0
21	HG-2003014	1	/P	Spring, Compression
22	HG-2003017	1	/P	Washer, .591 x .787 x .04
23	HG-51062	1	/P	Shaft, Input
24	HG-50315	1		Bearing, Ball, 17mm x 40 x 12
25	HG-2000022	1	/P	Ring, Wire Retaining, .561
26	HG-50951	1	/P	Spacer
27	HG-51161	1	/P	Seal, Lip, 17 x 40 x 7
28	HG-50329	2	/P	Ring, Retaining
29	HG-50551	2	S	Bearing, Thrust, 30 x 52 x 13
30	HG-44371	1	/P	Washer, Flat, 5/8 x 1.0 x .05
31	HG-44145	1		Ring, Retaining
32	HG-51130	1		Gear, Pinion, 13T
33	HG-51632	1		Shaft, Motor
34	HG-51069	1		Washer, .71 x 1.16 x .04
35	HG-50132	2	/P	Washer, HT, .5 x 1.0 x .032
36	HG-51129	1		Gear, 10T/48T
37	HG-51043	1	/P	Gear, Jackshaft, 10T
38	HG-51083	1		Pin, Jackshaft
39	HG-44871	1	/P	Ring, Spiral Retaining
40	HG-51633	1	S	Gear, Bull, 52T
41	HG-44875	1	/P	Washer, 3/4 x 1.5 x .13
42	HG-51088	1	/P	Bearing, Sleeve
43	HG-51954	1	S	Axle
44	HG-51089	1	/P	Bushing, .752 x 1.571 x .625
45	HG-51066	1	/P	Seal, Lip, .75 x 1.577 x .25
46	HG-70868L	1		Kit, Expansion Plate
47	HG-70591	1		Kit, Fan-Pulley
48	HG-70865	1	/P	Kit, Brake Arm
49	HG-70864L	1	/P	Kit, Center Section-Filter
50	HG-71006	1		Kit, Bypass Arm
51	HG-70911	1	S	Kit, Filter
52	HG-51635	1	/P	Disc, Brake Cog
53	HG-51365	1		Kit, Blade



ZT-22 (2004)  
LH Transmission

Page 17 of 22

Ref #	Part Number	Qty	S/P/F	Description
54	HG-50302	1	/P	Pulley Kit, 4.5
55	HG-51244	1	S	Nut, Hex Insert Lock, 1/2-20
56	HG-50752	3	/P	Screw, Hex Wash. Hd. Tapp 1/4-20
57	HG-70921	1	/P	Cap Assembly, Vent
58	HG-70110	1	/P	Fitting/O-ring Assembly
59	HG-51616	1	S	Screw, Patch, 5/16-24 x 1.0
60	HG-51947	1		Bushing, Pilot, 1.125
61	HG-51948	2		Washer, Plastic
62	HG-51950	1		Washer, 1.5 x .34 x .062
63	HG-51399	1	S	Spring, Extension
64	HG-71094	1		Kit, Return Assembly
65	HG-51401	1	/P	Hose, .5 x 4.0
66	HG-71004	1		Kit, Breather Assembly
	HG-70853	1	/P	Kit, Seal



ZT-22 (2004)  
RH Transmission

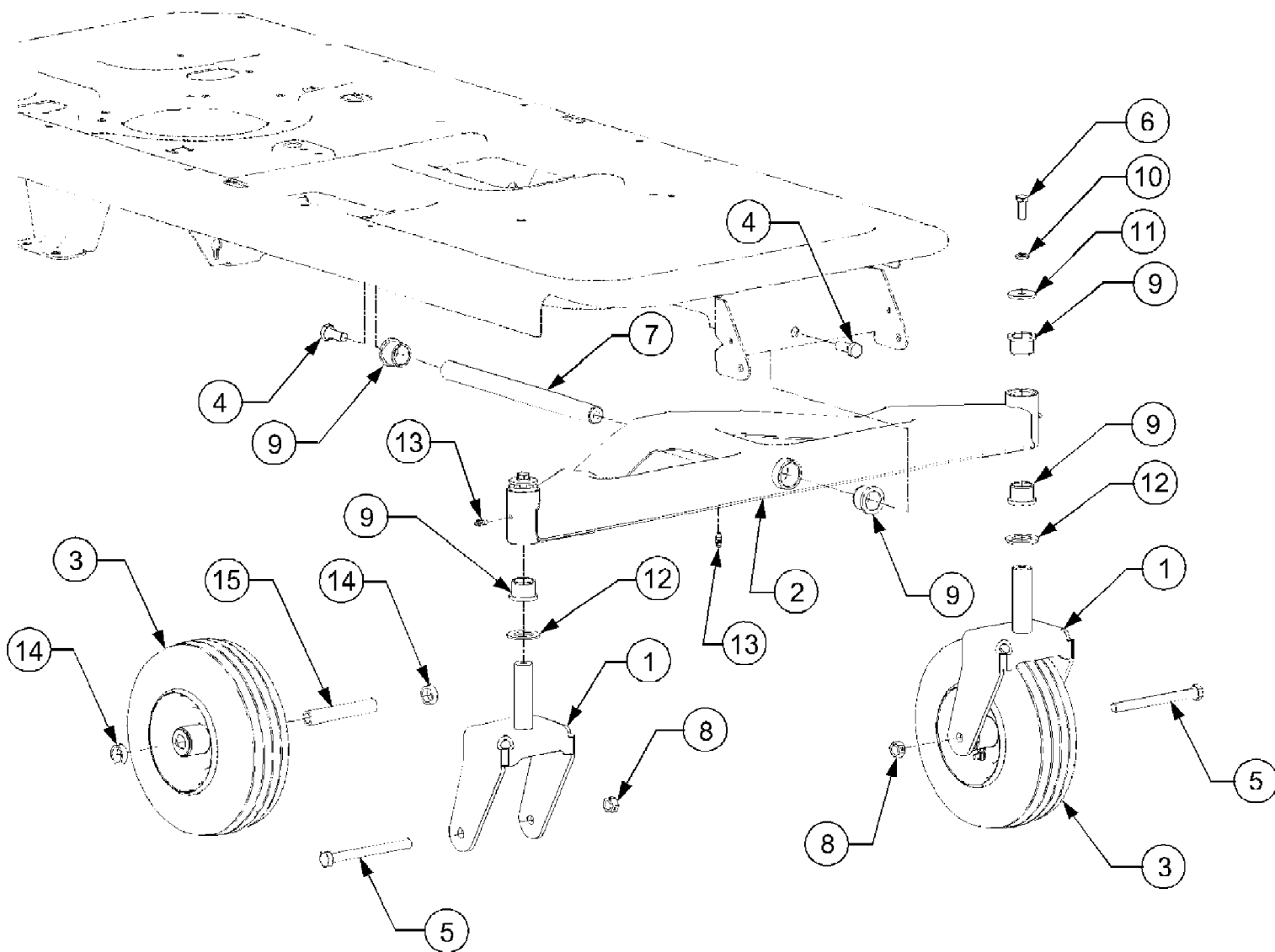
Page 19 of 22

Ref #	Part Number	Qty	S/P/F	Description
1	HG-70862R	1	/P	Housing Assembly, Main RH
2	HG-70863R	1	/P	Side Assembly, RH
3	HG-51448	1		Plate, Bypass
4	HG-70331	2	/P	Block Assembly
5	HG-51949	1		Spacer, .32 x 1.005
6	HG-9005110-5600	1	/P	Plug, SAE #6
7	HG-9004800-2506	2		Pin, Stainless
8	HG-51190	16	/P	Screw, Hex Self Tapping, 1/4-20 x 1.25
9	HG-44761	1	S	Seal, Lip, .625 x 1.0 x .25
10	HG-50016	3		Bolt, Hex Flange, 3/8-24 x 2.5
11	HG-51626	1		Seal, Lip, .375 x .75 x .25
12	HG-51628	2	/P	Ring, Retaining, .375 Ext.
13	HG-51625	1		Rod, Bypass
14	HG-51627	1		Ring, Retaining, .75 Int.
15	HG-51910	1		Arm, Bypass
16	HG-51630	1	/P	Ring, Retaining, .375 Push
17	HG-51048	1	/P	Swashplate, Trunnion
18	HG-51140	1	/P	Seal, Lip, 18 x 32 x 7
19	HG-44130	1	S	Washer, Flat, 11/32 x 7/8 x 1/16
20	HG-51812	1	/P	Screw, 5/16-24 x 1.0
21	HG-2003014	1	/P	Spring, Compression
22	HG-2003017	1	/P	Washer, .591 x .787 x .04
23	HG-51062	1	/P	Shaft, Input
24	HG-50315	1		Bearing, Ball, 17mm x 40 x 12
25	HG-2000022	1	/P	Ring, Wire Retaining, .561
26	HG-50951	1	/P	Spacer
27	HG-51161	1	/P	Seal, Lip, 17 x 40 x 7
28	HG-50329	2	/P	Ring, Retaining
29	HG-50551	2	S	Bearing, Thrust, 30 x 52 x 13
30	HG-44371	1	/P	Washer, Flat, 5/8 x 1.0 x .05
31	HG-44145	1		Ring, Retaining
32	HG-51130	1		Gear, Pinion, 13T
33	HG-51632	1		Shaft, Motor
34	HG-51069	1		Washer, .71 x 1.16 x .04
35	HG-50132	2	/P	Washer, HT, .5 x 1.0 x .032
36	HG-51129	1		Gear, 10T/48T
37	HG-51043	1	/P	Gear, Jackshaft, 10T
38	HG-51083	1		Pin, Jackshaft
39	HG-44871	1	/P	Ring, Spiral Retaining
40	HG-51633	1	S	Gear, Bull, 52T
41	HG-44875	1	/P	Washer, 3/4 x 1.5 x .13
42	HG-51088	1	/P	Bearing, Sleeve
43	HG-51954	1	S	Axle
44	HG-51089	1	/P	Bushing, .752 x 1.571 x .625
45	HG-51066	1	/P	Seal, Lip, .75 x 1.577 x .25
46	HG-70868R	1		Kit, Expansion Plate RH
47	N/A	1		Kit, Fan-Pulley
48	HG-70865	1	/P	Kit, Brake Arm
49	HG-70864R	1	/P	Kit, Center Section-Filter RH
50	N/A	1		Kit, Bypass Arm
51	HG-70911	1	S	Kit, Filter
52	HG-51635	1	/P	Disc, Brake Cog
53	HG-51365	1		Blade

ZT-22 (2004)  
RH Transmission

Page 20 of 22

Ref #	Part Number	Qty	S/P/F	Description
54	HG-50302	1	/P	Pulley, 4.5
55	HG-51244	1	S	Nut, Hex Insert Lock, 1/2-20
56	HG-50752	3	/P	Screw, Hex Wash. Hd. Tapp 1/4-20
57	HG-70921	1	/P	Cap Assembly, Vent
58	HG-70110	1	/P	Fitting/O-ring Assembly
59	HG-51616	1	S	Screw, Patch, 5/16-24 x 1.0
60	HG-51947	1		Bushing, Pilot, 1.125
61	HG-51948	2		Washer, Plastic
62	HG-51950	1		Washer, 1.5 x .34 x .062
63	HG-51399	1	S	Spring, Extension
64	HG-71095	1		Kit, Return Assembly RH
65	HG-51401	1	/P	Hose, .5 x 4.0
66	HG-71004	1		Kit, Breather Assembly
	HG-70853	1	/P	Kit, Seal



ZT-22 (2004)  
Wheels

Page 22 of 22

Ref #	Part Number	Qty	S/P/F	Description
1	603-0363A	2		Bracket, Castor Wheel
2	603-04148	1		Axle, Front Pivot
3	634-3164	2		Wheel Assembly, 11.0 x 4.0 x 5.0
4	710-04186	2	/P	Screw, Hex Lock, 1/2-13 x 1.25 GR5
5	710-0506	2	/P	Screw, Hex Cap, 1/2-20 x 5.5 GR5
6	710-0514	2	/P	Screw, Hex Cap, 3/8-16 x 1.0 GR5
7	711-04228	1	S	Shaft, Axle
8	712-0239	2	S	Nut, Hex Lock, 1/2-20 GRA
9	731-0374	6	S	Bearing, Flange, 1.0 x 1.254
10	736-0169	2	S	Washer, Lock, 3/8
11	736-0227	2	S	Washer, Flat, .39 x 1.5 x .134
12	736-0250	2	/P	Washer, Flat, 1.0 x 1.75 x .107
13	737-3000	3	S	Fitting, Lube, 3/16 Drive
14	750-0456	4	S	Spacer, .79 x .347
15	750-3197A	2	/P	Spacer, Wheel