

No
Diagram
Available

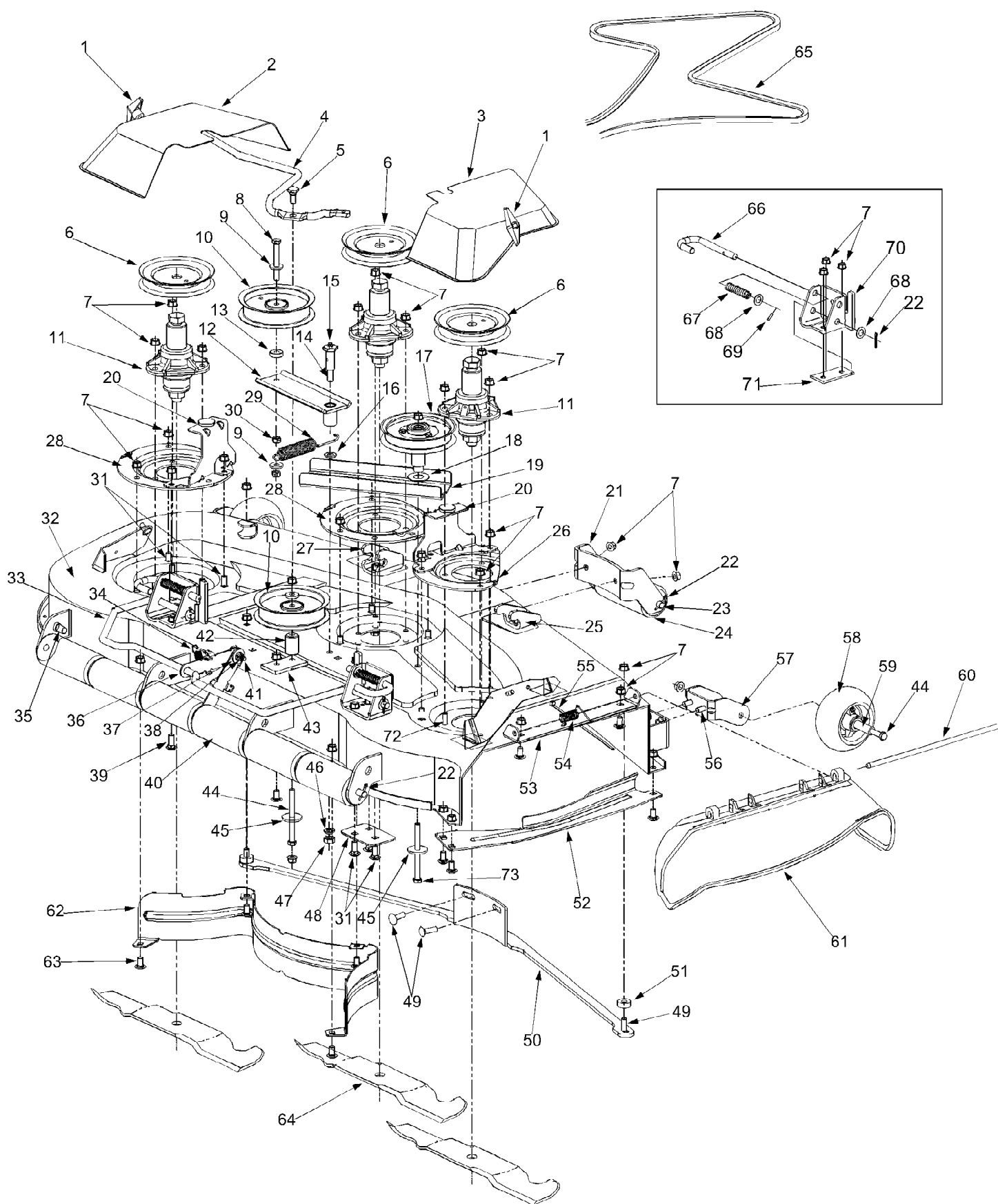
Parts List
Only

ZT-2150 (2001)
48" And 54" Deck Spindle Assembly

Page 2 of 36

Ref #	Part Number	Qty	S/P/F	Description
	603-0690	1		SPINDLE ASSY. COMPLETE
	710-1674	1		SPINDLE BOLT: 3/4-16 X 6.50
	911-3171	1		SPACER: .755 ID X 1.25 OD X .44
	750-3249	1		SPACER: .765 ID X 1.50 OD X 1.88
	948-3020	1	/P	BLADE SPACER
	936-3014	1	S	FLAT WASHER: .781 ID X 2.00 OD X .105
	903-1387	2	/P	SPINDLE CUP
	912-3018	1	/P	BLADE NUT: 3/4-16
	741-3029	2	/P	BEARING CUP
	941-3028	2	/P	BEARING CONE
	941-3030	1	/P	BEARING SPACER
	921-3018	2	S	SEAL,OIL: 1.25 ID X 1.874 OD

ZT-2150 (2001)
48" Deck Assembly



ZT-2150 (2001)
48" Deck Assembly

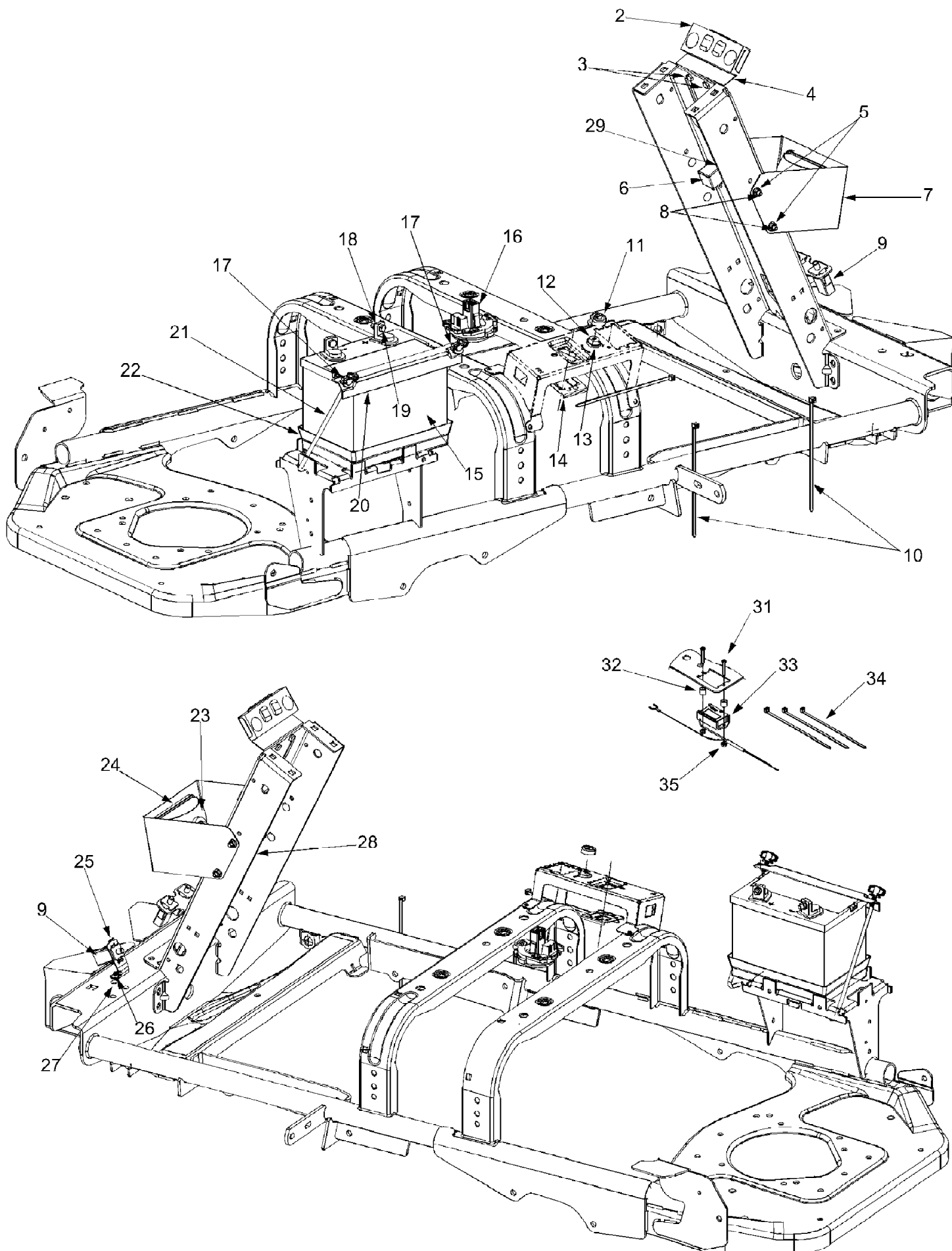
Page 4 of 36

Ref #	Part Number	Qty	S/P/F	Description
1	720-0241	1	S	Wing Nut Knob
2	703-2817	1		Belt Cover LH
3	703-2816	1		Belt Cover RH
4	747-3306	1		Idler Spring Mounting Rod
5	738-0380	1	S	Shoulder Screw 3/8-16
6	756-3106	1		Pulley
7	712-0431	1	S	Flange Lock Nut 3/8-16
8	710-0521	1	/P	Hex Cap Screw 3/8-16 x 3.0
9	736-0258	1	/P	Flat Washer .385 ID x 1.0 OD
10	756-3105	1		Idler Pulley 5.0
11	603-0690	1		Deck Spindle Ass'y
12	603-0469A	1	S	Idler Bearing Arm Ass'y
13	711-0242	1	S	Spacer
14	738-3108	1	/P	Shoulder Bolt
15	737-0280	1	S	Grease Fitting
16	736-3015	1	S	Flat Washer .469 ID x .875 OD
17	603-0407	1		Idler Pulley Ass'y 5.0
18	736-0316	1	S	Flat Washer .78 ID x 1.59 OD
19	703-2849	1	S	Channel
20	703-0326	1		Front End Deck Bracket LH
21	703-2091A	1		Front Roller Bracket
22	714-0115	1	S	Cotter Pin
23	711-3314	1	S	Roller Pin
24	731-3005	1	/P	Roller
25	703-2430	1		Front End Deck Bracket RH
26	703-2090	1		Reinforcement Disk RH
27	703-2767	1		Front End Deck Bracket LH
28	703-2089A	1	S	Reinforcement Disk
29	732-0971	1		Extension Spring
30	712-0375	1	/P	Lock Nut 3/8-16
31	710-3168	1	/P	Carriage Bolt 3/8-16
32	603-0348	1		Mower Deck Ass'y
33	747-3297A	1	/P	Deck Support Rod
34	732-0395	1	S	Extension Spring .50 OD x 2.51 Lg
35	711-1103	1		Pin Roller
36	703-2929	1	S	Deck Support Link
37	736-0231	1	S	Flat Washer .344 ID x 1.125 OD
38	712-3004A	1	/P	Flange Lock Nut 5/16-18
39	710-3168	1	/P	Carriage Bolt 3/8-16
40	731-3005	1	/P	Roller
41	738-0296	1	S	Shoulder Screw
42	750-3243	1		Spacer
43	703-3381	1		Idler Support Plate
44	710-0944	1	/P	Hex Cap Screw 3/8-16 x 4.25
45	736-0227	1	S	Flat Washer
46	736-0171	1	S	Lock Washer 7/16
47	712-3019	1	S	Hex Nut 7/16-14
48	703-2988	1	S	Support Plate
49	710-3034	1	/P	Carriage Screw 3/8-16 x 1.25
50	603-0154	1		Front Bar
51	750-3119	1	/P	Spacer
52	703-2192	1		Finger Guard
53	703-2392	1		Front Bar

ZT-2150 (2001)
48" Deck Assembly

Page 5 of 36

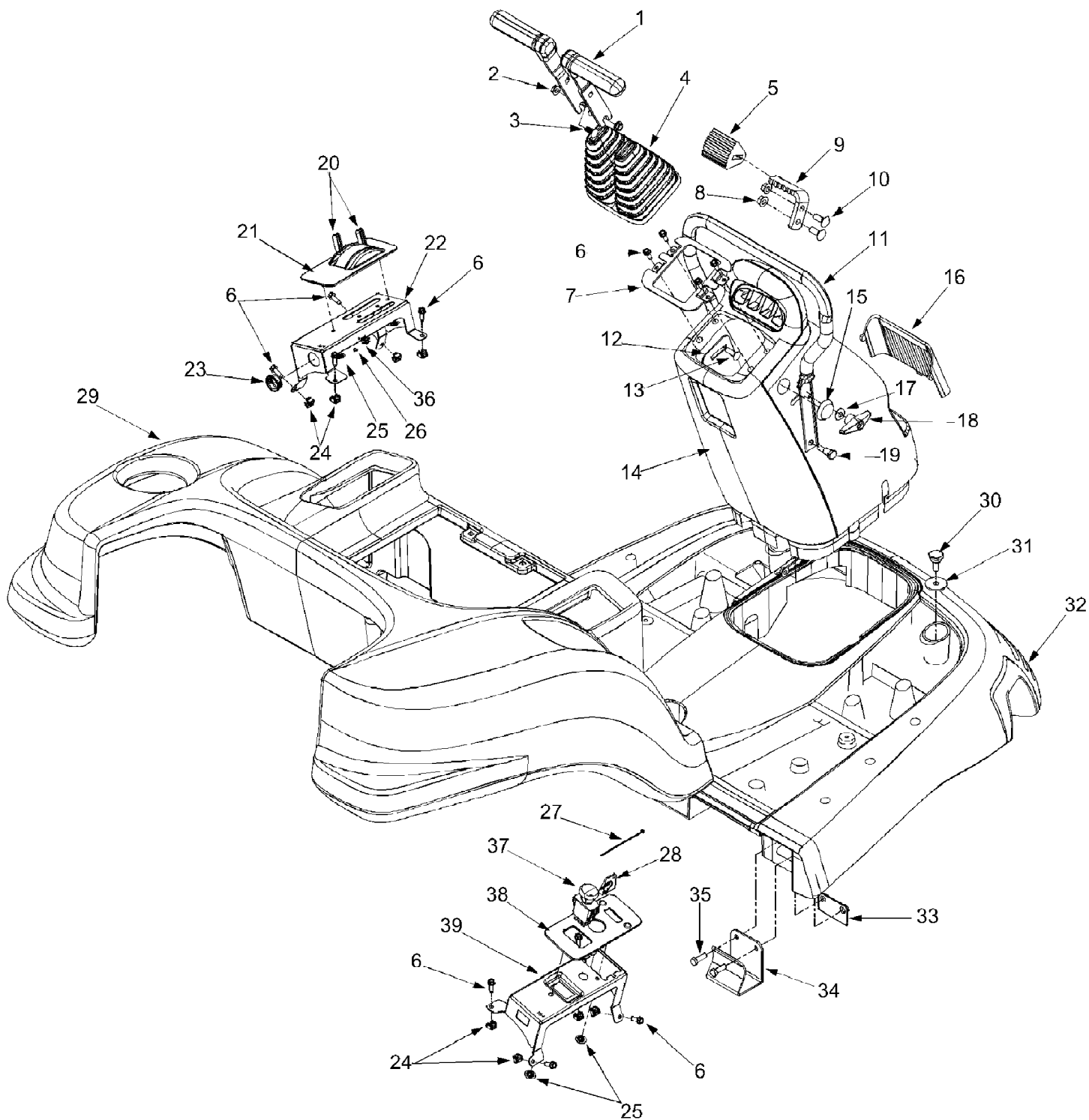
Ref #	Part Number	Qty	S/P/F	Description
54	732-3070	1	S	Torsion Spring
55	725-0157	1	/P	Cable Tie
56	710-3001	1	/P	Hex Cap Screw 3/8-16 x .880
57	703-2410	1		Castor Bracket
58	634-3159	1	/P	Wheel Complete
59	750-3193	1	/P	Spacer
60	711-3318	1	/P	Hinge Pin
61	731-3131	1	S	Deflector Chute
62	703-2161	1	S	Inner Baffle
63	710-3178	1	/P	Carriage Bolt 3/8 - 16
64	742-3025	1	S	Blade
65	754-3078	1	S	Belt
	754-3083	1	S	Belt
66	747-3013	1		Support Pin
67	732-0802	1		Compression Spring
68	736-0160	1	S	Flat Washer .536 ID x .93 OD
69	715-3003	1		Spring Pin
70	603-0351	1		Rear Hanger Bracket LH
	603-0350	1		Rear Hanger Bracket RH
71	703-2683	1	S	Rear Hanger Bracket Spacer
72	710-3005	1	/P	Hex Cap Screw 3/8-16 x .88
73	710-0693	1	/P	Hex Cap Screw 3/8-16 x 4.5



ZT-2150 (2001)
Battery & Electrical

Page 7 of 36

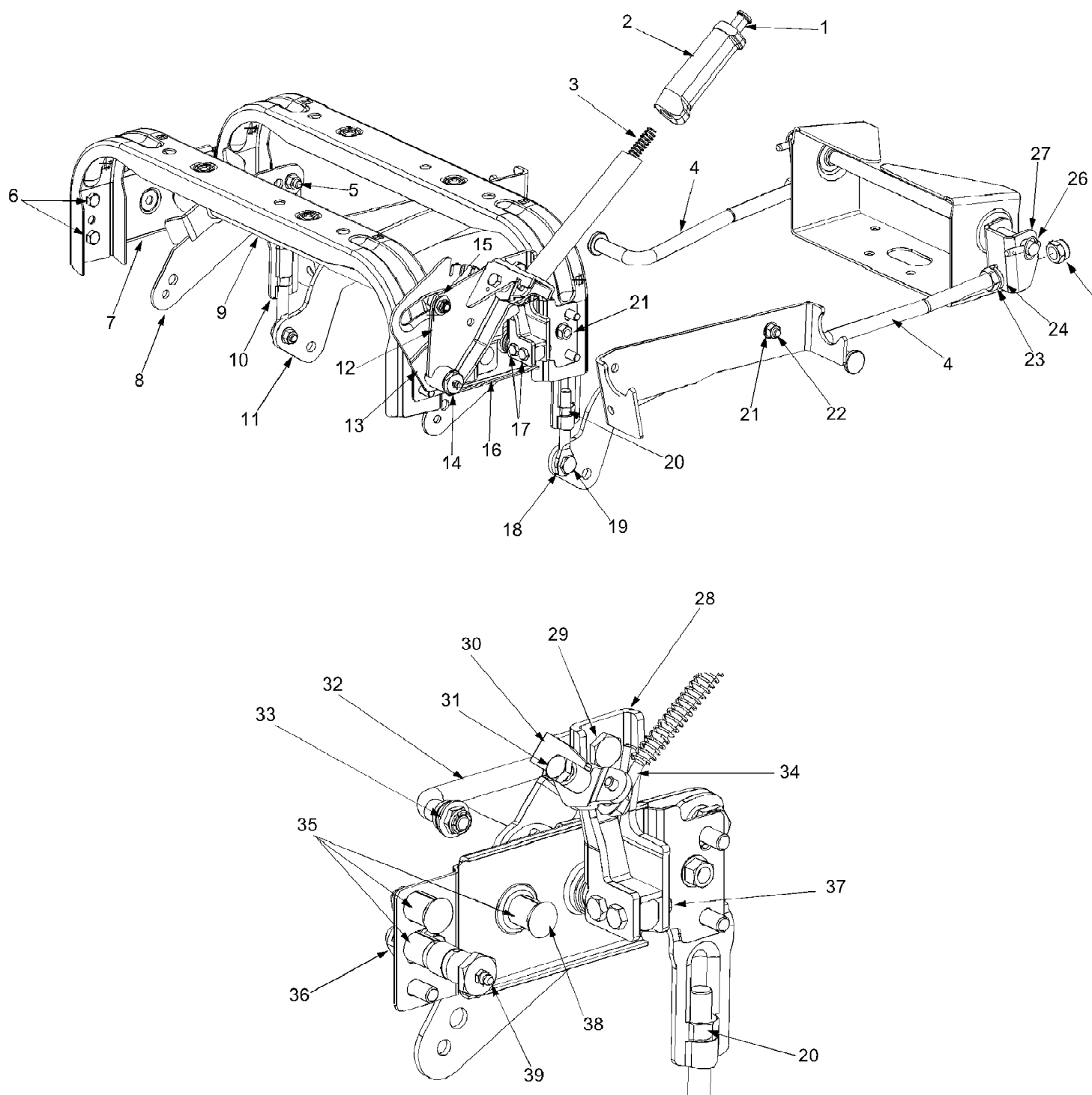
Ref #	Part Number	Qty	S/P/F	Description
1	629-3070	1		Wire Harness, Main Not Shown
2	723-0455	1		Foam Protector, Indicator Light
3	710-3013	1	/P	Hex Cap Screw 1/4-20 x .50
4	703-2809	1	S	Bracket, Indicator Bulb Mtg.
5	712-3027	1	S	Nut, Hex Flange Lock, 1/4-20
6	725-1718	1	S	Relay
7	703-2836	1		Bracket, Headlight Mtg.
8	710-0134	1	/P	Carriage Screw 1/4-20 x .62
9	725-3164A	1	S	Switch, Plunger Safety
10	725-0157	1	/P	Cable Tie
11	725-1347	1	/P	Cap, Ignition Switch
12	725-1346	1	S	Nut, Ignition Switch, 5/8-32
13	725-1717	1	S	Switch, Ignition
14	783-0462	1	/P	Bracket, PTO Switch Retainer
15	725-1722	1	S	Battery
16	725-3254	1	S	Switch, Seat
17	712-0397	1	S	Nut, Nylon Wing, 1/4-20
18	712-0271	1	/P	Nut, Hex Sems, 1/4-20
19	710-3015	1	/P	Screw, Hex Cap, 1/4-20 x .75 GR5
20	703-3149A	1	/P	Strip, Battery Retainer
21	747-3347	1		Rod, Battery Retainer
22	731-3233	1		Tray, Battery
23	725-3250	1	S	Headlight Assembly
	759-3864	1	S	Bulb, Headlight - Only
24	731-3184	1		Bezel, Headlight
25	732-0816	1		Spring, Switch Mounting
26	710-0425	1	/P	Screw, Machine, #10-24 x 5/8
27	712-0161	1	/P	Nut, Hex Insert Lock, #10-24
28	725-3251	1	S	Voltage Sensor
29	726-0349	1	S	Ratchet Retainer
?30	725-3191A	1	S	Switch, Plunger Safety
31	710-3143	1	/P	Machine Screw #10-24
32	750-0539	1	S	Spacer .315 ID x .50 OD
33	725-3159	1	S	Hour Meter
34	725-0157	1	/P	Cable Tie
35	712-0161	1	/P	Lock Nut #10-24



ZT-2150 (2001)
Body Cover & Console

Page 9 of 36

Ref #	Part Number	Qty	S/P/F	Description
1	731-3263	1	S	Control Handle
2	712-3004A	1	/P	Flange Lock Nut 5/16-18
3	710-0451	1	/P	Carriage Bolt 5/16-18
4	731-3185	1		Bellow
5	735-0251	1		Foot Pad
6	710-0642	1	/P	Hex Washer Screw 1/4-20 x .75
7	703-2648	1		Bellow Retainer Bracket
8	712-0431	1	S	Flange Lock Nut 3/8-16
9	703-2807B	1	S	Foot Pad Mounting Bracket
10	710-3168	1	/P	Carriage Bolt 3/8-16
11	749-3081	1		Cruise Control Tube
12	703-3288	1	S	Control Tube Mounting Bracket
13	710-0276	1	/P	Carriage Screw 5/16-18 x 1.0
14	731-3283	1		Console
15	726-0289	1		Plug
16	731-3128A	1		Lens
17	736-0242	1	/P	Bell Washer .340 ID x .872 OD
18	720-0241	1	S	Wing Nut Knob
19	738-0754	1		Shoulder Screw
20	720-0302	1		Knob
21	731-3195B	1	/P	LH Control Panel Cover
22	703-2703	1		LH Control Panel
23	723-3042	1		Snap Bushing
24	712-0453	1		Retainer Nut 1/4-20
25	726-3047	1	S	Push Nut
26	728-0117	1		Pop Rivet
27	726-0197	1		Cable Tie
28	725-1341B	1	/P	Key
29	731-3309	1		Rear Body
30	738-3163A	1	/P	Shoulder Screw 3/8-16
31	736-3039	1	S	Flat Washer .406 ID x 1.5 OD
32	731-3318	1		Floor Body
33	603-0578	1		Body Plate Assembly
34	703-3474	1	S	Body Clip
35	710-0376	1	/P	Hex Cap Screw 5/16-18 x 1.0
36	732-0830	1	S	Spring Clip
37	725-1716	1	S	Electric PTO Switch
38	731-3196	1		RH Control Panel Cover
39	703-3583	1	S	RH Control Panel

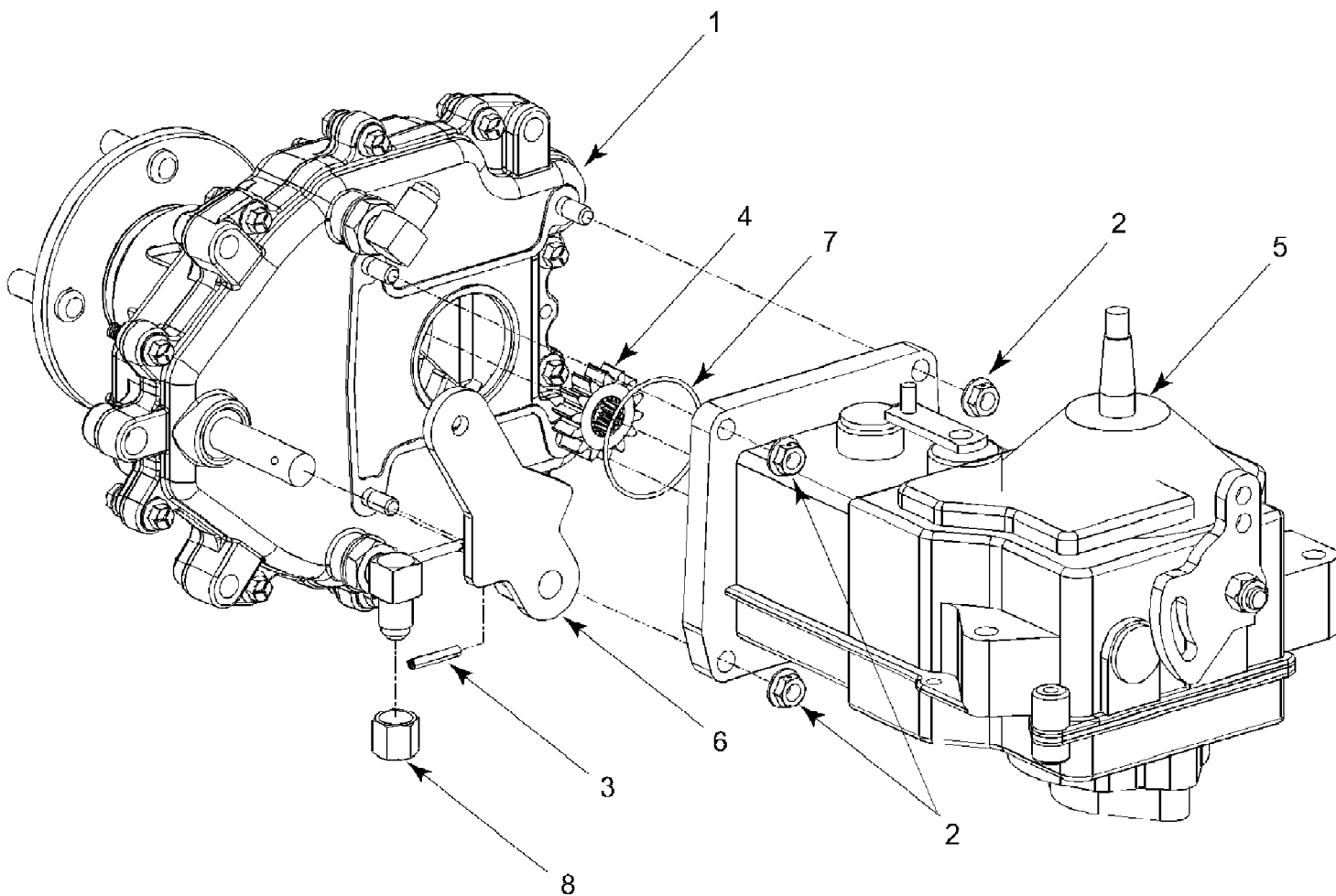


ZT-2150 (2001)
Deck Lift Assembly

Page 11 of 36

Ref #	Part Number	Qty	S/P/F	Description
1	711-0642A	1	/P	Handle Button
2	731-3158	1		Handle Deck Lift Grip
3	732-3097	1		Compression Spring
4	747-3405	1		Front Lift Rod
5	738-0507B	1	S	Shoulder Screw .500 Dia x .434
6	710-0216	1	/P	Hex Cap Screw 3/8-16 x .75
7	603-0422	1	S	Shaft Mounting Bracket - LH
8	603-0370	1		Pivot Link Bearing Ass'y
9	603-0313	1	S	Lift Shaft Ass'y
10	703-2621	1		Adjustable Deck Lift Link
11	703-2780	1		Lift Parallel Link
12	603-0327	1		Handle Bearing Ass'y
13	703-2772	1		Deck Height Adjustable Plate
14	738-3150	1		Lift Handle Shoulder Screw
15	712-3020	1	S	Top Lock Jam Nut 3/8-16
16	603-0423	1		Shaft Mounting Bracket - RH
17	710-3083	1	/P	Hex Cap Screw 5/16-18 x 1.375
18	711-0773	1		Eye Bolt Adjustable Link
19	738-0380	1	S	Shoulder Screw 3/8-16
20	712-0206	1	S	Hex Nut 1/2-13
21	712-0431	1	S	Flange Lock Nut 3/8-16
22	738-3151	1		Shoulder Screw 3/8-16 .56 x .27
23	712-3015	1	S	Jam Nut 5/8-11
24	736-0158	1	S	Lock Washer 5/8
?25	712-3016	1	/P	Lock Hex Nut 5/8-11
26	711-3266	1	S	Clevis Pin
27	703-3407	1	S	Front Lift Bracket
28	603-0401	1	S	Lift Arm Ass'y
29	738-0183	1	S	Shoulder Screw 3/8-16 .50 x .21
30	603-0257	1	/P	Fork Lift Ass'y
31	710-3011	1	/P	Hex Cap Screw 3/8-16 x 2.25
32	747-3276	1		Lift Link Rod
33	736-0300	1	S	Flat Washer .406 x .875
34	747-3267	1		Handle Arm
35	750-3200	1		Spacer .448 ID x .688 OD
36	712-0290	1	/P	Lock Nut 7/16-14
37	712-3009	1	S	Hex Center L-Nut 5/16-18
38	710-0431	1	/P	Hex Screw 3/8-16 x 1.50
39	737-0280	1	S	Grease Fitting
?40	747-3406	1		Front Mounting Rod Bracket

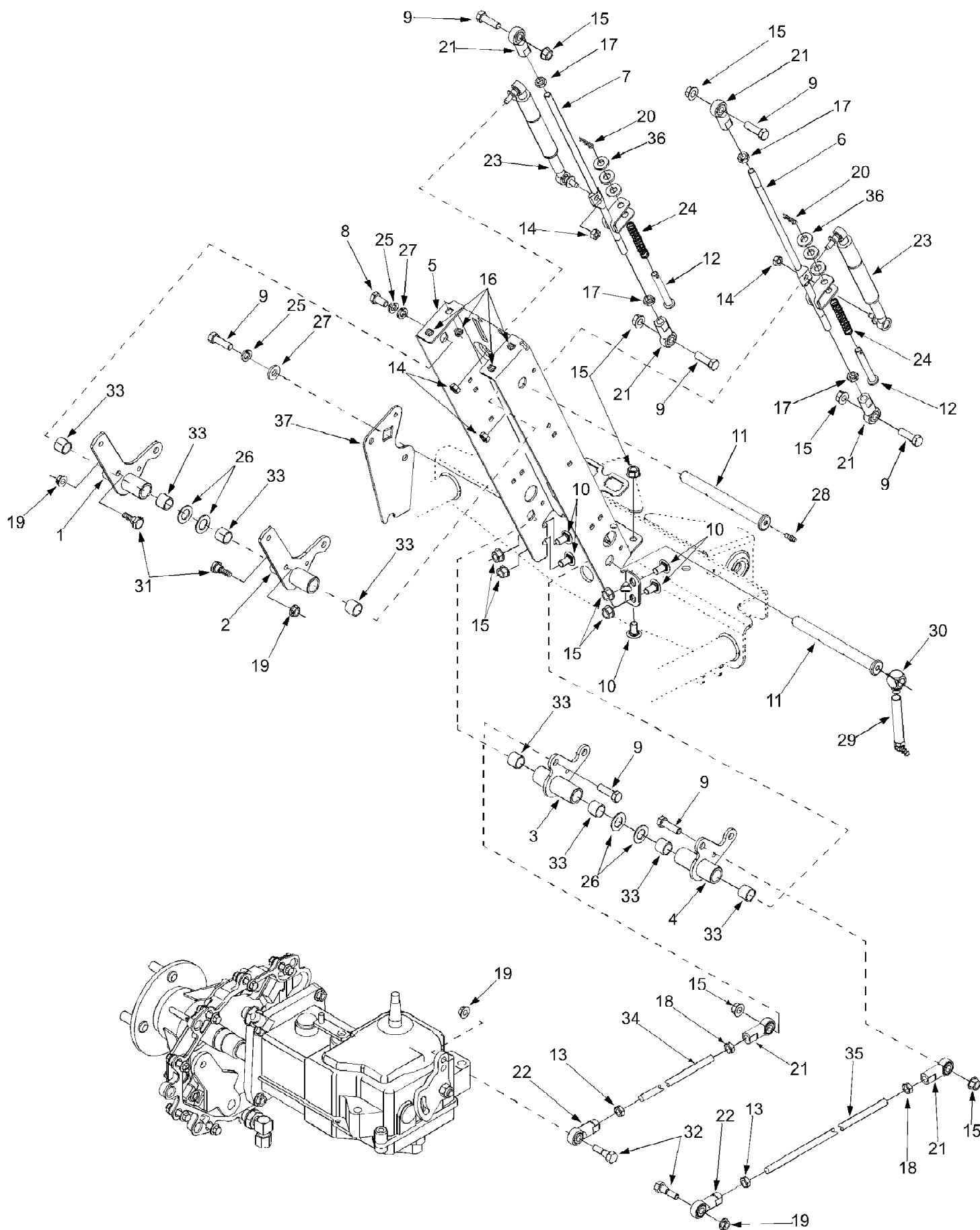
ZT-2150 (2001)
Drive Assembly Complete



ZT-2150 (2001)
Drive Assembly Complete

Page 13 of 36

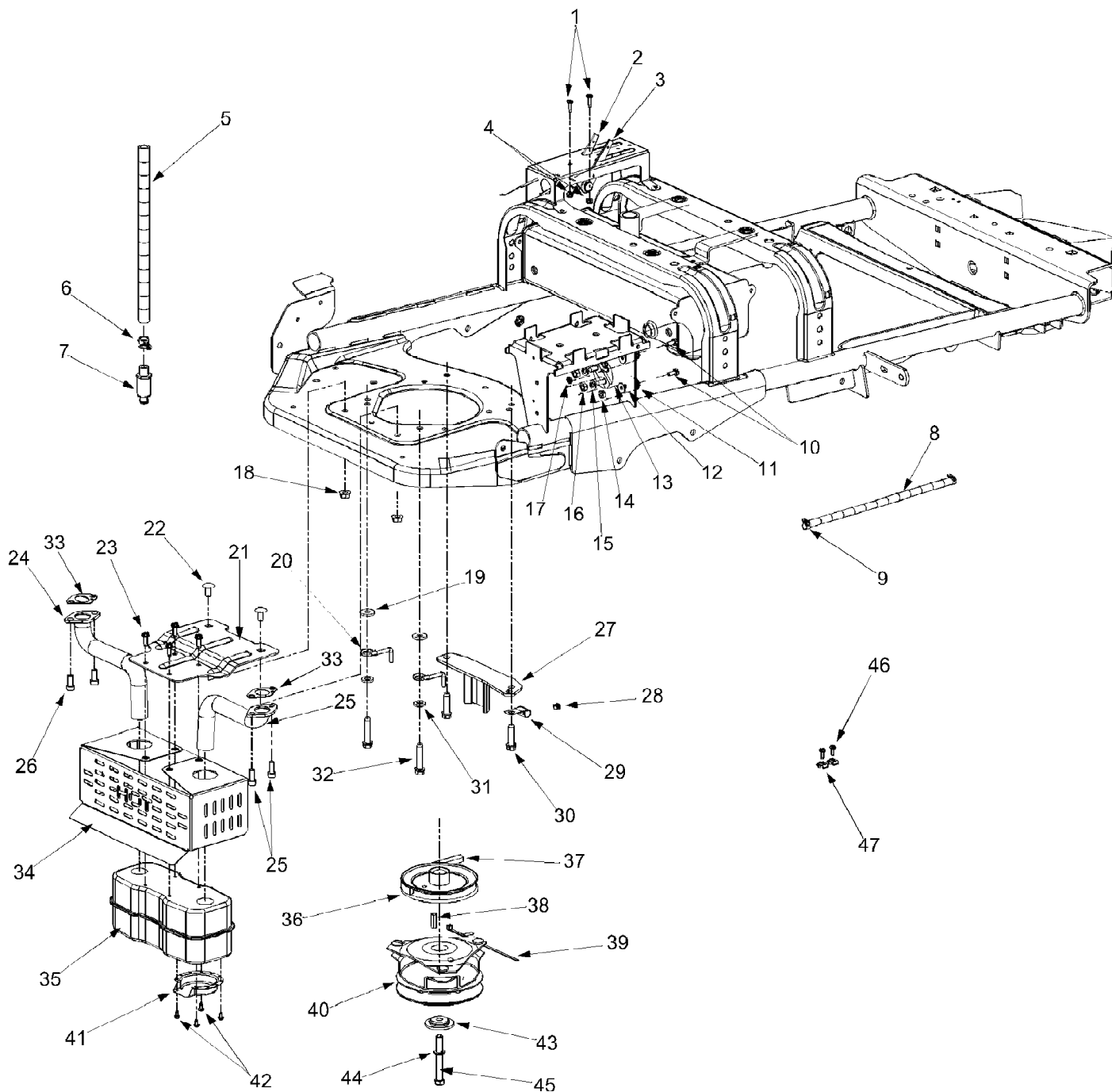
Ref #	Part Number	Qty	S/P/F	Description
1	618-3110A	1	S	Drive Ass'y Complete
2	712-3004A	1	/P	Hex Flange Lock Nut 5/16-18
3	715-0136	1	S	Spiral Pin 3/16 x 1.25
4	717-3396	1	S	Spur Gear 14T
5	717-3455	1	S	Hydro Transmission
6	718-3053	1		Parking Brake Lever
7	721-0343	1		O-Ring 2.0 Dia.
8	727-3125	1	S	Cap Nut 3/8



ZT-2150 (2001)
Drive Controls & Support Tower

Page 15 of 36

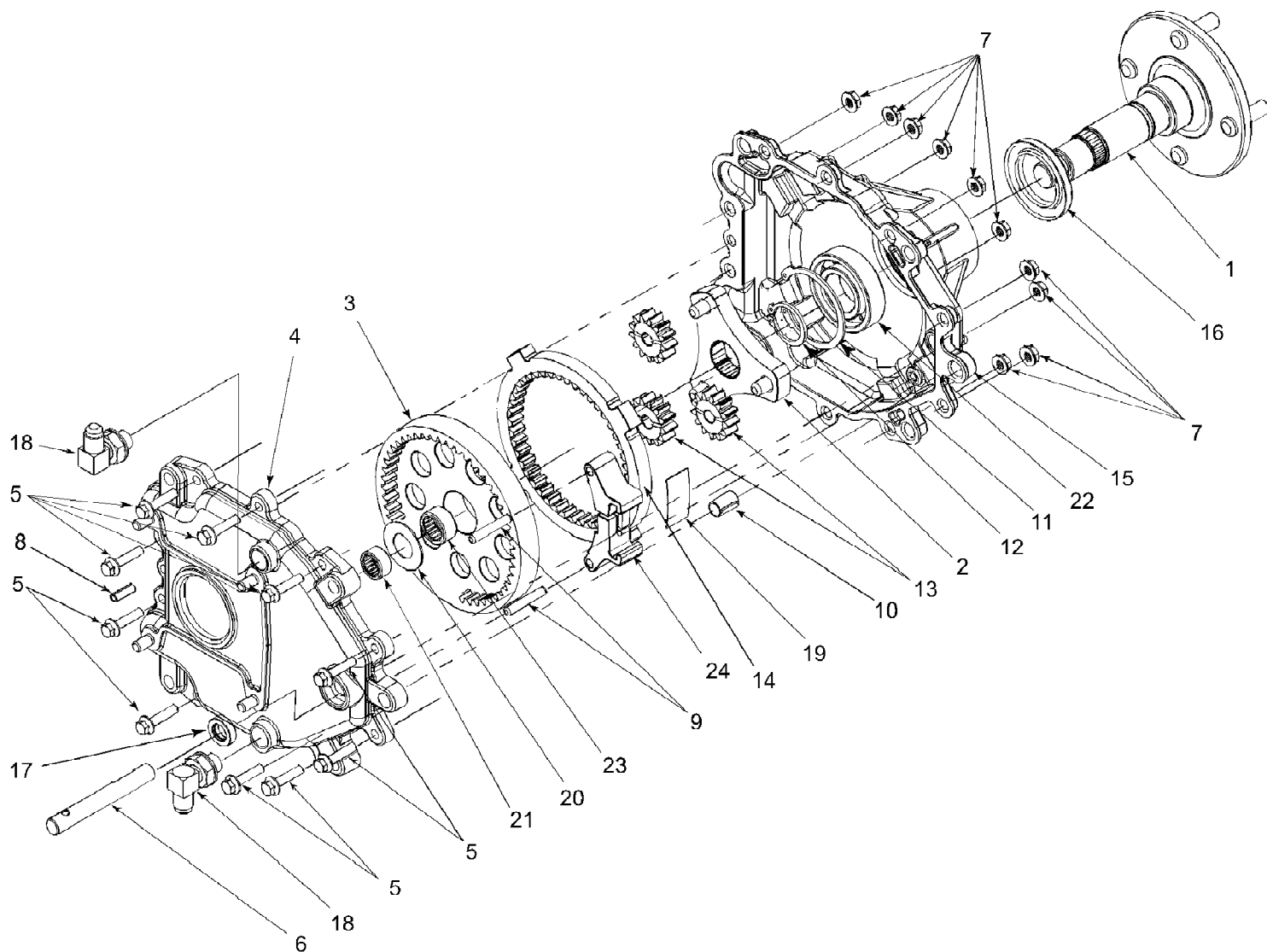
Ref #	Part Number	Qty	S/P/F	Description
1	603-0340	1	S	Bellcrank Ass'y Upper LH
2	603-0341	1	S	Bellcrank Ass'y Upper RH
3	603-0342	1	S	Bellcrank Ass'y Lower LH
4	603-0343	1	S	Bellcrank Ass'y Lower RH
5	603-0647	1	S	Support Ass'y Tower
6	603-0410	1		Rod Ass'y Control RH
7	603-0411	1		Rod Ass'y Control LH
8	710-0216	1	/P	Hex Cap Screw 3/8-16 x .75
9	710-3005	1	/P	Hex Cap Screw 3/8-16 x 1.25
10	710-3178	1	/P	Carriage Bolt 3/8-16 x .75
11	711-1111	1		Control Shaft
12	711-1124	1		Pin
13	712-0312	1	S	Hex Jam Nut LH 3/8-24
14	712-0365	1		Hex Center Lock Nut
15	712-0431	1	S	Hex Flange Lock Nut 3/8-16
16	712-0453	1		Retainer 1/4-20
17	712-0711	1	/P	Hex Jam Nut 3/8-24
18	712-3001	1	S	Hex Jam Nut 3/8-24
19	712-3004A	1	/P	Hex Flange Lock Nut 5/16-18
20	714-0104	1	S	Cotter Pin
21	723-0420	1	S	Spherical Rod End RH 3/8-24
22	723-0421	1	S	Spherical Rod End LH 3/8-24
23	727-3113	1		Damper Cylinder
24	732-3084	1		Spring Compression
25	736-0169	1	S	Lock Washer 3/8
26	736-0539	1		Thrust Washer .625 ID x 1.12 OD
27	736-3004	1	S	Flat Washer .406 ID x .875 OD
28	737-0280	1	S	Grease Fitting
29	737-3072	1		Grease Fitting w/Tube
30	737-3073	1		Adapter 1/4-20
31	738-0296	1	S	Shoulder Bolt .437 Dia. x .268
32	738-3153	1		Shoulder Bolt
33	741-3063	1		Sleeve Bearing
34	747-3281	1		Control Rod LH 31-5/8
35	747-3282	1		Control Rod RH 35-3/8
36	736-0300	1	S	Flat Washer .406 ID x .87 OD
37	703-3405	1		Support Plate



ZT-2150 (2001)
 Engine Accessories, PTO, Muffler

Page 17 of 36

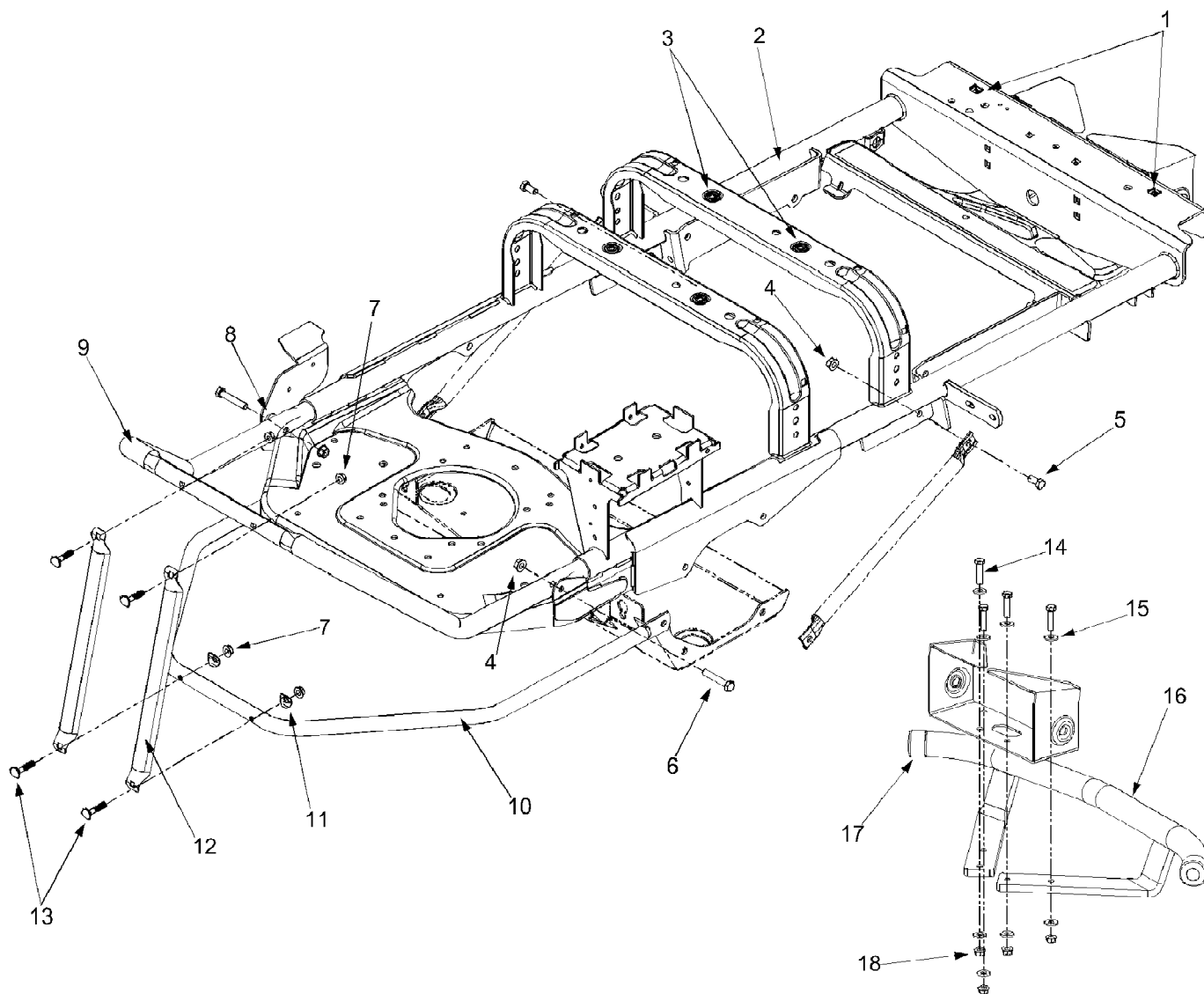
Ref #	Part Number	Qty	S/P/F	Description
1	710-3009	1	/P	Screw #10-24 x .750
2	746-3070	1		Throttle Cable Control 40.5"
3	746-3069	1		Choke Cable Control 52.0"
4	712-0161	1	/P	Nylon Lock Nut #10-24
5	751-3141	1	S	Oil Drain Hose
6	751-3142	1		Oil Drain Cap
7	751-3140	1	S	Oil Drain
8	751-0535	1		Fuel Line Hose
9	726-0205	1	/P	Hose Clamp
10	710-0751	1	/P	Hex Cap Screw 1/4-20 x .620
11	736-3006	1		Lock Washer 1/4 ID x 3/4 OD
12	736-0270	1	/P	Bell Washer .265 ID x .75 OD
13	725-3001	1	S	Solenoid Switch
14	712-0291	1	S	Lock Nut 1/4-20
15	736-0119	1	S	Lock Washer 5/16
16	712-3010	1	S	Hex Nut 5/16 - 18
17	712-3071	1	S	Hex Nut #10-32
18	712-0431	1	S	Flange Lock Nut 3/8-16
19	736-0258	1	/P	Flat Washer .385 ID x 1.0 OD
20	747-3362	1		Rear Belt Retainer Rod
21	703-2859	1		Muffler Bracket
22	710-3178	1	/P	Carriage Bolt 3/8-16 x .75
23	710-0642	1	/P	Hex Washer Screw 1/4-20 x .750
24	751-0650	1	S	Exhaust Pipe RH
25	751-0651	1	S	Exhaust Pipe LH
26	710-1314	1	S	Screw
27	603-0317	1	S	Clutch Retainer Ass'y
28	712-0291	1	S	Hex Lock Nut 1/4-20
29	726-3008	1	/P	Heat Shield Cable Clip
30	710-1007	1	/P	Hex Washer Screw 3/8-16 x 1.5
31	736-3010	1		Flat Washer
32	710-1008	1		Hex Washer Screw 3/8-16 x 1.875
33	721-0460	1		Gasket
34	703-3004	1	S	Muffler Guard
35	751-0616	1	S	Muffler
36	756-3060A	1	/P	Pulley
37	754-3100	1	S	V-Belt
38	714-0128	1	/P	Key
39	725-0157	1	/P	Cable Tie
40	717-3389	1	S	Electric PTO Clutch
41	751-0564	1	S	Muffler Deflector
42	710-0148	1	/P	Hex Washer Screw #8-32 x .375
43	750-3106	1		Spacer Clutch
44	736-0171	1	S	Lock Washer 7/16
45	710-3157	1	S	Hex Cap Screw 7/16-20 x 3.25
46	710-1237	1		Hex Washer Screw #10-32 x .625
47	751B221535	1	/P	Casing Clamp
	629-3038A	1		Engine Harness Assembly (Not Shown)



ZT-2150 (2001)
Final Drive Assembly

Page 19 of 36

Ref #	Part Number	Qty	S/P/F	Description
	618-3110A	1	S	Drive Ass'y Complete
1	611-3012	1	S	Axle Assembly
	710-0852	1	/P	Ribbed Neck Stud
2	618-3106	1	S	Carrier Assembly, Output
3	618-3107	1	S	Gear Assembly, 51T Internal & 20T
4	618-3109	1	S	Housing Ass'y
5	710-1342	1		Hex Washer Screw 1/4-20 x 1-1/8
6	711-1048	1		Brake Shaft
7	712-3027	1	S	Hex Flange Lock Nut 1/4-20
8	715-0156	1		Roll Pin
9	715-0219	1		Dowel Pin
10	715-3045	1	S	Bushing
11	716-3015	1		Inverted Retaining Ring
12	716-3018	1		Snap Ring
13	717-3395	1		Spur Gear 13T
14	717-3397	1		Ring Gear 46T
15	719-3114	1	S	Axle Outer Housing
16	721-0381	1	S	Oil Seal
17	721-0393	1		Oil Seal
18	727-3124	1	S	Elbow Fitting
19	732-0752	1		Brake Shoe Spring
20	736-0351	1	S	Shim Washer .76 x 1.5 x .030
	736-0492	1	S	Shim Washer .76 x 1.5 x .010
	736-0493	1	S	Shim Washer .76 x 1.5 x .020
21	741-0665	1	/P	Needle Bearing
22	741-3033A	1	S	Ball Bearing
23	741-3080	1		Needle Bearing
24	761-3049	1		Shoe Brake



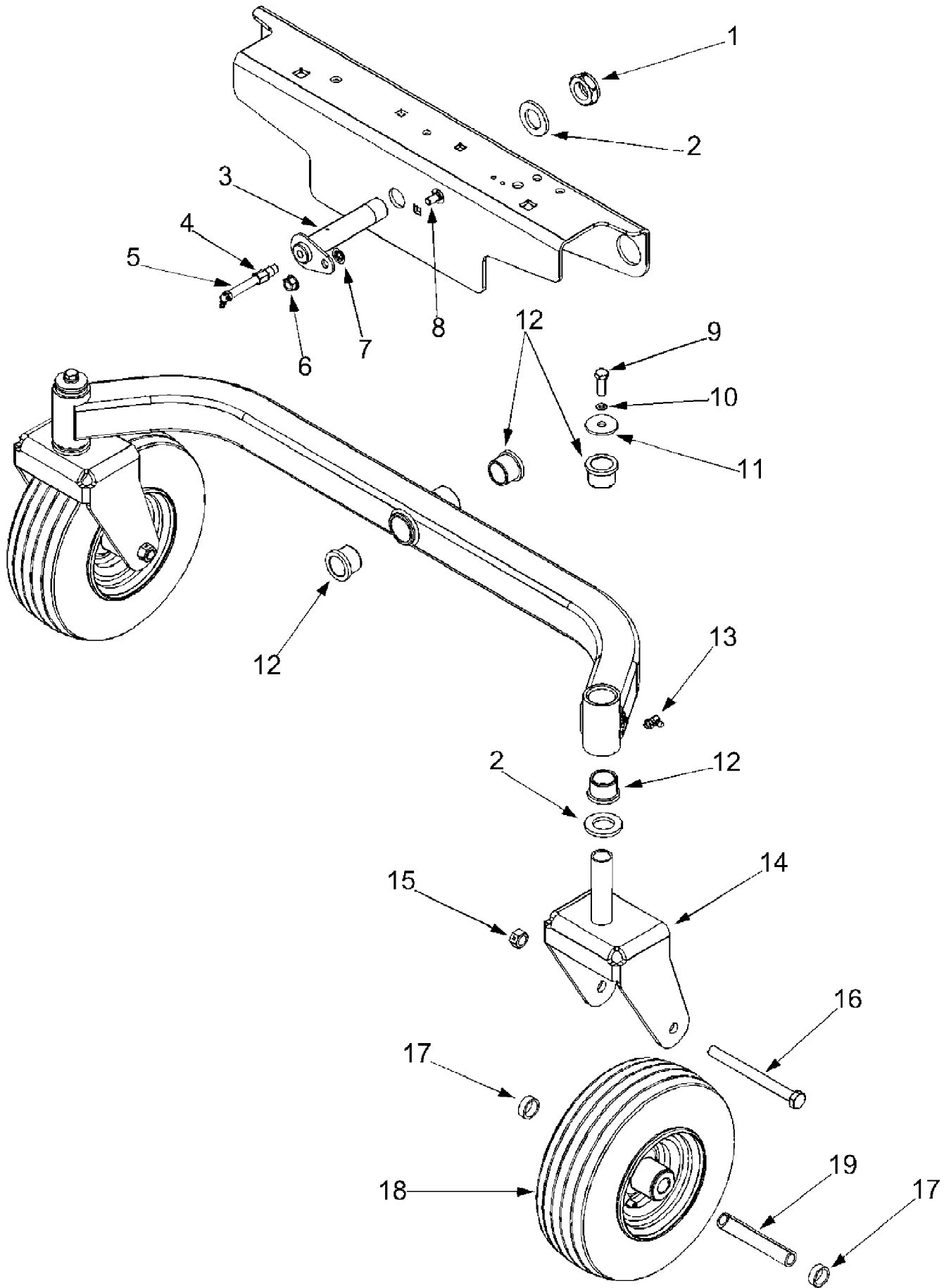
ZT-2150 (2001)
Frame

Page 21 of 36

Ref #	Part Number	Qty	S/P/F	Description
1	712-0251	1		Retainer Nut 3/8-16
2	603-0720B	1	S	Frame Assembly
3	712-0455	1		Retainer Nut 3/8-16
4	712-0431	1	S	Flange Lock Nut 3/8-16
5	710-0216	1	/P	Hex Cap Screw 3/8-16 x .75
6	710-3144	1	/P	Hex Cap Screw 3/8-16 x 2.0
7	712-3004A	1	/P	Flange Lock Nut 5/16-18
8	736-0258	1	/P	Flat Washer .385 x 1.0 x .135
9	749-3062	1		Upper Bumper
10	749-3061	1		Lower Bumper Tube
11	736-0451	1	S	Washer .320 ID x .93 OD
12	703-3504	1	S	Bumper Bracket
13	710-1250	1	/P	Carriage Bolt 5/16 x 1.5
14	710-0520	1	/P	Hex Cap Screw 3/8-16 x 1.5
15	736-3004	1	S	Flat Washer .406 ID x .875 OD
16	603-0620A	1	S	Front Bumper
17	726-0298	1		End Cap
18	712-0431	1	S	Flange Lock Nut 3/8-16

ZT-2150 (2001)
Front Axle & Tires

Page 22 of 36

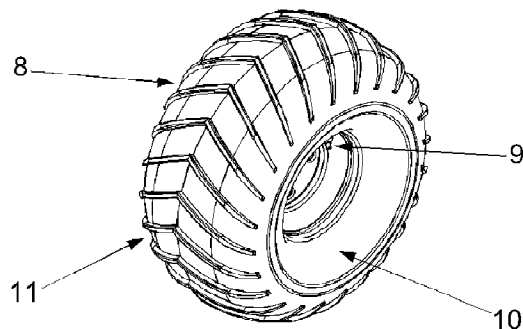
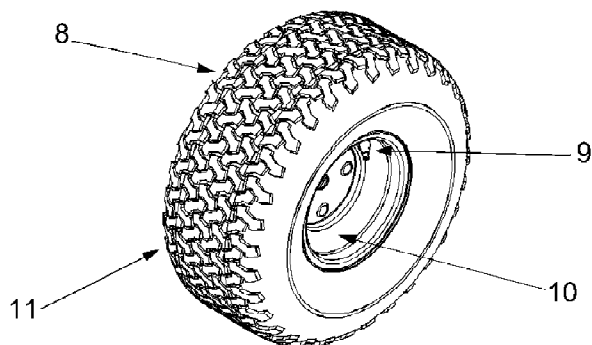
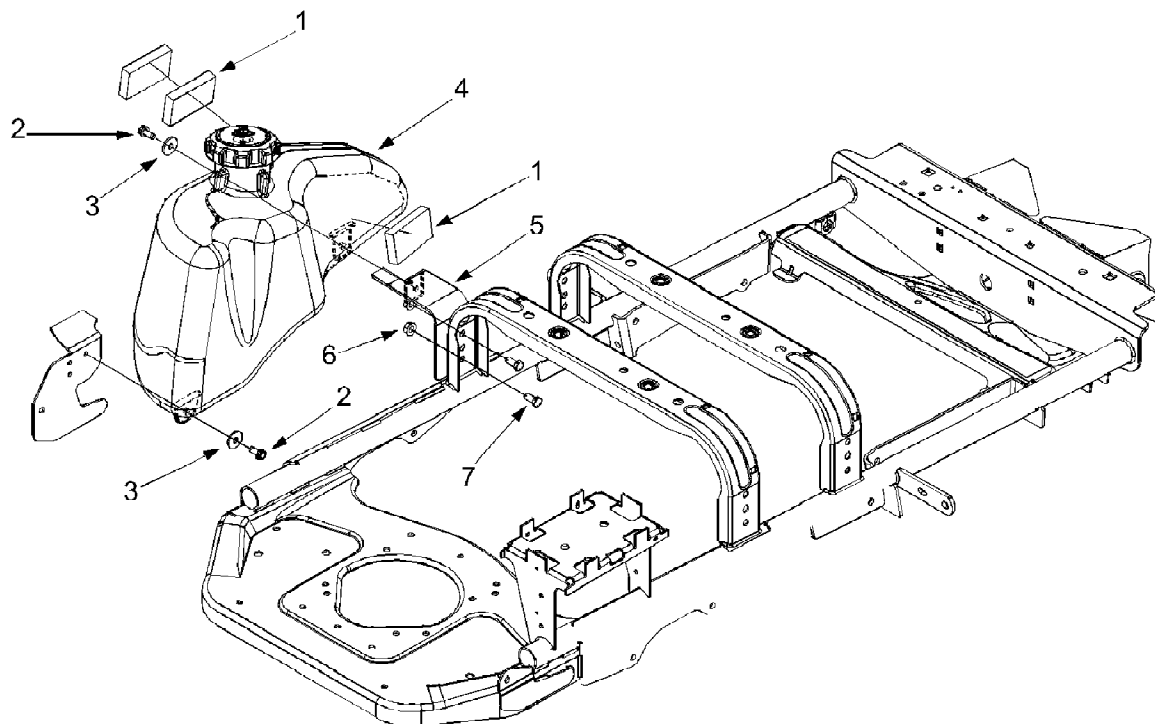


ZT-2150 (2001)
Front Axle & Tires

Page 23 of 36

Ref #	Part Number	Qty	S/P/F	Description
1	712-3075	1	/P	Hex Lock Nut, 1.0-14
2	736-0274	1	S	Flat Washer
3	603-0389A	1		Pin Ass'y, Pivot
4	737-3090	1	S	Adapter, 1/8 NPTF x 1/8 NPTF
5	737-3072	1		Grease Fitting, 65° w/Extension
6	712-0431	1	S	Hex Flange Lock Nut, 3/8-16
7	712-0229	1		Push Nut, 3/8 ID
8	710-3178	1	/P	Carriage Bolt, 3/8-16 x .75
9	710-0514	1	/P	Hex Cap Screw, 3/8-16 x 1.0
10	736-0169	1	S	Lock Washer 3/8
11	736-0227	1	S	Flat Washer 3/8 x 1.5
12	731-0374	1	S	Flange Bearing 1.0 ID
13	737-0280	1	S	Grease Fitting
14	603-0363	1		Castor Wheel Bracket
15	712-0239	1	S	Hex Center Lock Nut 1/2-20
16	710-0506	1	/P	Hex Cap Screw, 1/2-20 x 5.5
17	750-0456	1	S	Spacer, .79 ID x .347 Lg
18	634-3164	1		Wheel Comp 11.0 x 4.0 x 5.0
19	750-3197A	1	/P	Wheel Spacer
?20	603-0382	1	S	Front Axle Ass'y

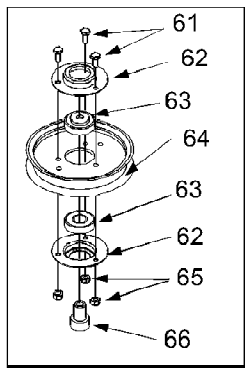
ZT-2150 (2001)
Fuel Tank & Rear Wheels



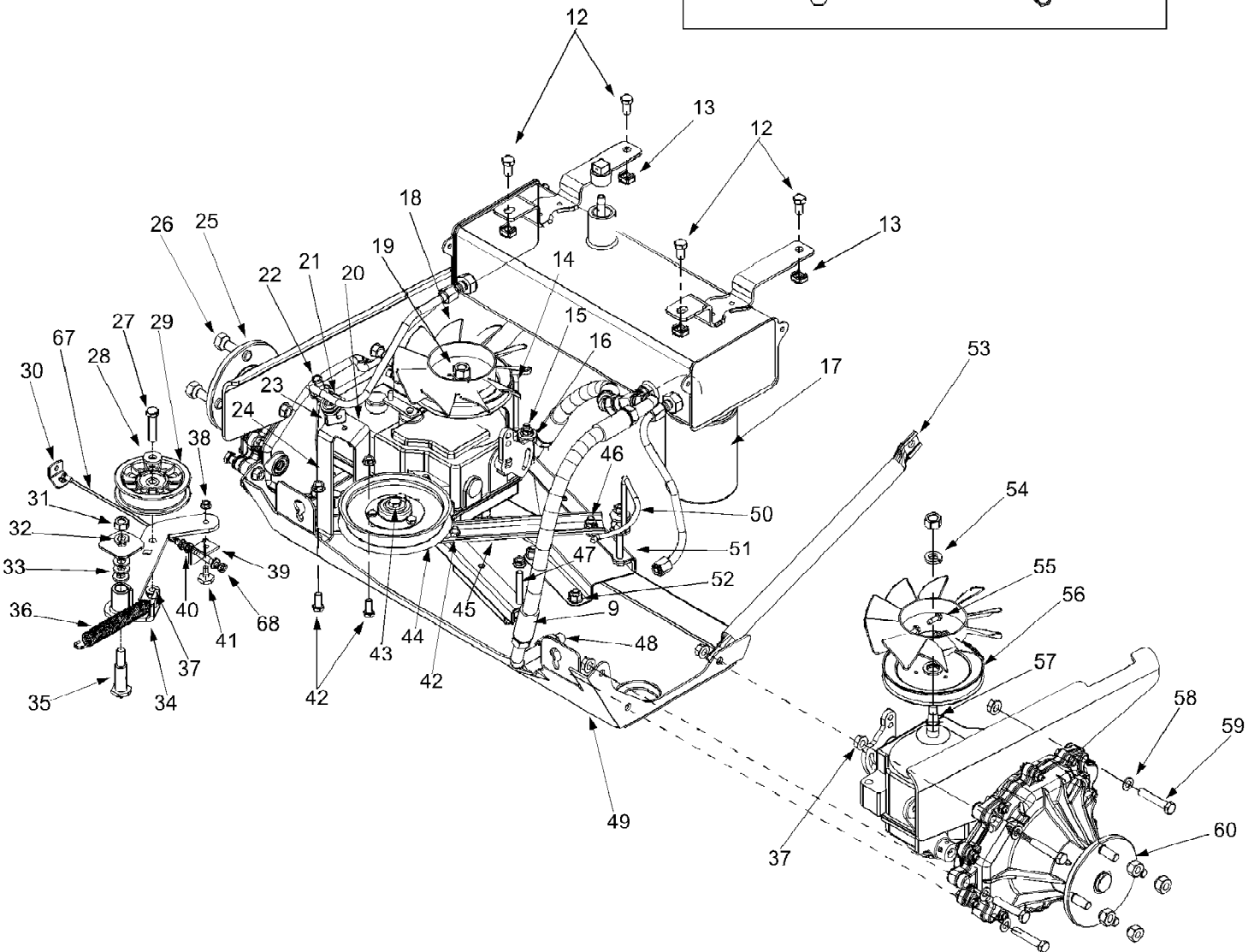
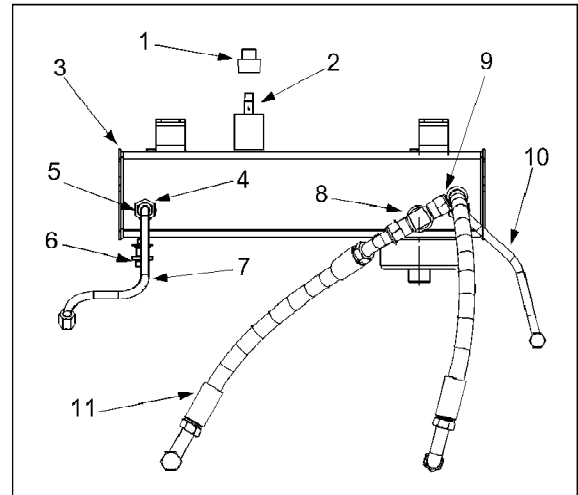
ZT-2150 (2001)
Fuel Tank & Rear Wheels

Page 25 of 36

Ref #	Part Number	Qty	S/P/F	Description
1	722-0265	1		Foam 2.04 x 3.50 x .62
2	710-1260A	1	/P	Hex Washer Screw 5/16-18 x .75
3	736-0231	1	S	Flat Washer .344 ID x 1.125 OD
4	651-3004	1		Tank Assembly 4.0 Gallon
5	703-3490	1		Fuel Tank Mounting Bracket
6	712-0431	1	S	Flange Lock Nut 3/8-16
7	710-0216	1	/P	Hex Cap Screw 3/8-16 x .75
8	734-1596	1		Tire 20 x 8 - 8 (ZT-1850)
	734-3163	1		Tire 22 x 11-8 (ZT-2150 & ZT-2250)
9	634-3005	1	S	Rim Ass'y 8 x 6.19 (ZT-1850)
	634-3030	1	S	Rim Ass'y 8 x 6.19 (ZT-2150 & ZT-2250)
10	734-0255	1	S	Tubeless Air Valve
11	634-3050	1	S	Wheel Comp 20 x 8-8 (ZT-1850)
	634-3051	1		Wheel Comp 22 x 11-8 RH (ZT-2150 & ZT-2250)
	634-3052	1		Wheel Comp 22 x 11-8 LH (ZT-2150 & ZT-2250)



44



ZT-2150 (2001)
Hydraulic Drive, Lines & Filter

Page 27 of 36

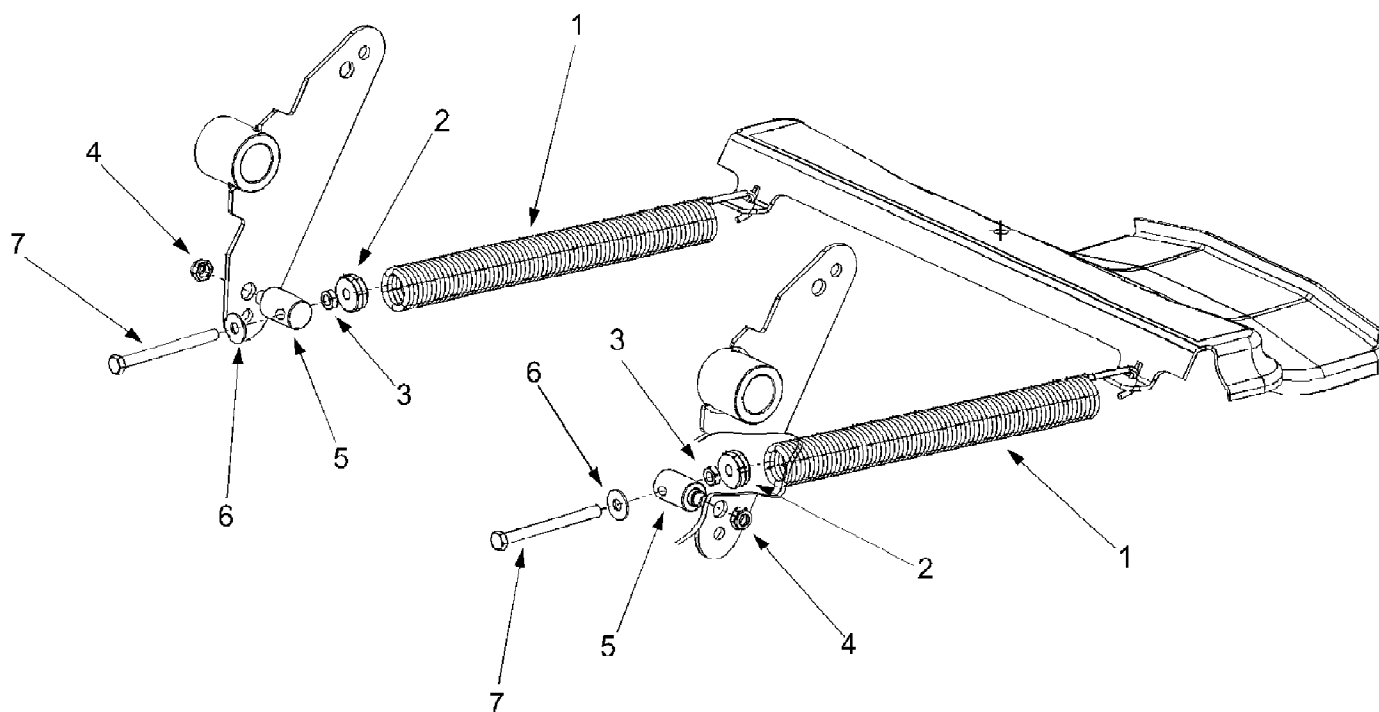
Ref #	Part Number	Qty	S/P/F	Description
1	737-3069	1		Pipe Plug
2	737-3070A	1		Pipe Dipstick
3	603-0639	1		Hydraulic Tank Assembly
4	727-3116	1	S	Connection Fitting
5	721-0223	1	S	Seal
6	738-0940	1	/P	Drain Plug
7	727-3120	1		Inlet Tube LH
8	727-3155	1		Tee Fitting
9	727-3154	1		Outlet Hose RH
10	727-3121	1		Inlet Tube RH
11	727-3153	1		Outlet Hose LH
12	710-0216	1	/P	Hex Cap Screw 3/8-16 x .75
13	712-0455	1		Retainer Nut 3/8-16
14	747-3360	1	S	Belt Retainer Rod RH
15	710-0378	1	/P	Hex Cap Screw 5/16-18 x 2.5
16	736-3089	1	/P	Flat Washer 5/16
17	723-3071	1		Filter Element
18	731-1449A	1	S	Fan Blade
19	712-0333	1	S	Hex Nut 1/2-20
20	703-3168	1		Mounting Pulley Bracket
21	756-0625	1		Roller Cable
22	738-0924	1	S	Hex Shoulder Screw 1/4-28 x .375
23	703-3169	1		Retainer Cable Bracket
24	712-0117	1	S	Lock Nut 1/4-28
25	618-3165	1		Complete Transmission Assembly LH
26	712-3050	1	/P	Lug Nut
27	710-0347	1	/P	Hex Cap Screw 3/8-16 x 1.75
28	736-0258	1	/P	Flat Washer .385 ID x 1.0 OD
29	756-0627B	1	S	Flat Idler Pulley 3.5 OD
30	703-3174	1		Mounting Bracket Cable
31	712-3019	1	S	Hex Nut 7/16-14
32	736-0171	1	S	Lock Washer 7/16
33	736-3015	1	S	Flat Washer .469 ID x .875 OD
34	603-0377A	1	S	Idler Arm Assembly
35	603-0102	1		Shoulder Screw
36	732-0478	1	S	Extension Spring 6.12 Lg
37	712-0431	1	S	Flange Lock Nut 3/8-16
38	712-3027	1	S	Lock Nut 1/4-20
39	703-3380	1	/P	Declutching Cable Bracket
40	736-0119	1	S	Lock Washer 5/16
41	738-0704	1	S	Shoulder Screw
42	710-3008	1	/P	Hex Cap Screw 5/16-18 x .75
43	710-3011	1	/P	Hex Cap Screw 3/8-16 x 2.25 Models ZT-2150 & ZT-2250 Only
44	603-0362	1	S	Idler Pulley Assembly 5.0" Models ZT-2150 & ZT-2250 Only
45	703-2888	1	S	Idler Bracket
46	712-3004A	1	/P	Flange Lock Nut 5/16-18
47	710-3103	1	/P	Hex Cap Screw 5/16-18 x 2.0
48	727-3100	1	S	Connection Fitting 1/2 x 3/8
49	603-0358B	1	S	Skid Plate Assembly
50	747-3361			

ZT-2150 (2001)
Hydraulic Drive, Lines & Filter

Page 28 of 36

Ref #	Part Number	Qty	S/P/F	Description
51	603-0450	1	S	Support Pump Assembly
52	710-3178	1	/P	Carriage Bolt 3/8-16 x .75
53	749-3040	1		Frame Strut
54	736-0921	1	S	Lock Washer 1/2
55	710-1189	1		Hex Washer Screw #12-24 x .625
56	756-0974	1	/P	Transmission Pulley
57	732-0729	1	/P	Wire Ring
58	736-0185	1	S	Flat Washer
59	710-3144	1	/P	Hex Cap Screw 3/8-16 x 2.0
60	618-3164	1		Complete Transmission Assembly RH
61	710-0751	1	/P	Hex Cap Screw 1/4-20 x .62
62	703-2907	1		Bearing Cup
63	741-0600	1	S	Ball Bearing
64	756-3085	1		Idler Pulley 5.0"
65	712-0324	1	/P	Hex Lock Nut 1/4-20
66	750-3176	1		Idler Spacer
67	746-3083	1		Declutching Cable
68	712-3007	1	/P	Jam Nut 5/16-18

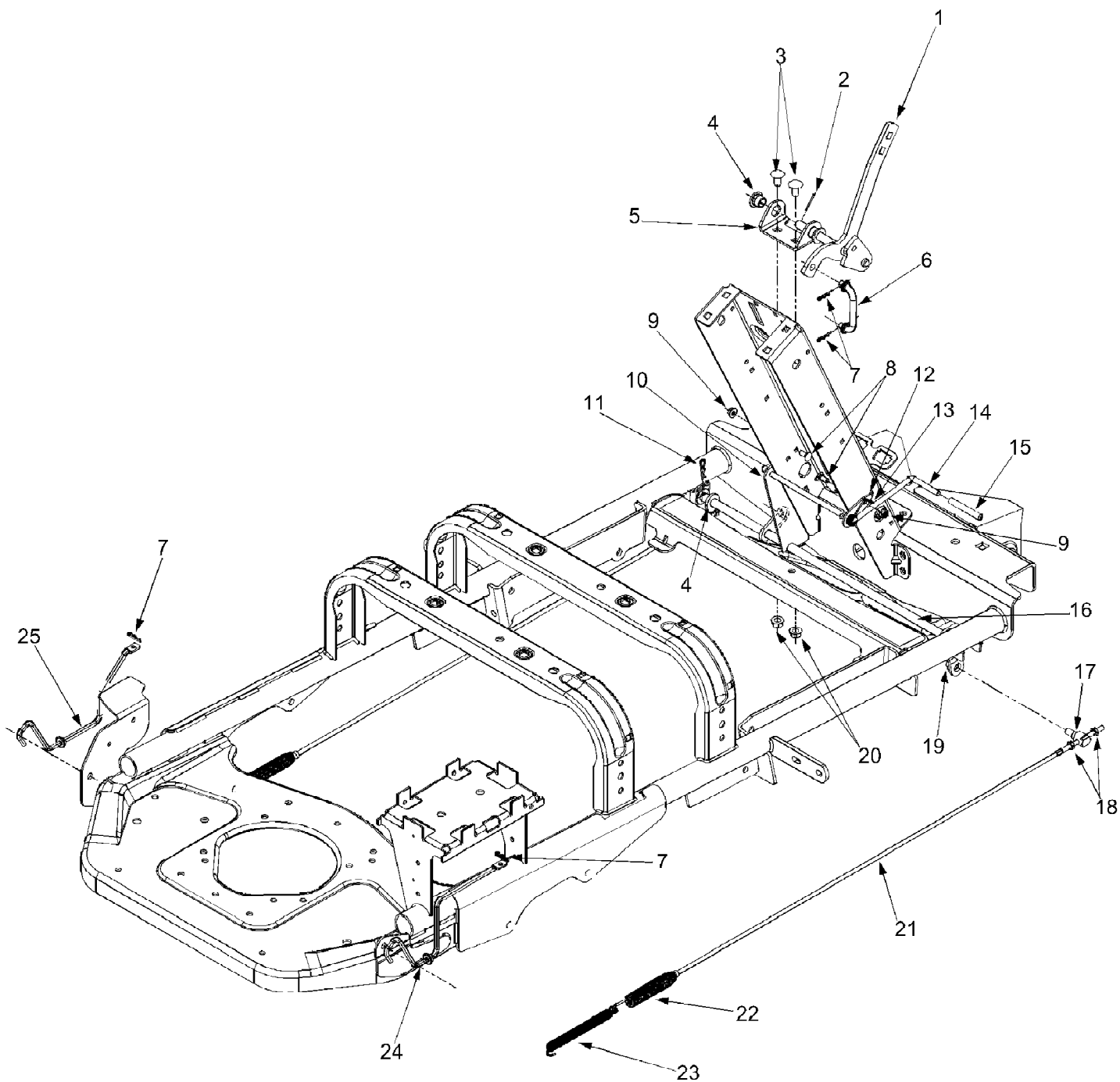
ZT-2150 (2001)
Lift Assist Springs



ZT-2150 (2001)
Lift Assist Springs

Page 30 of 36

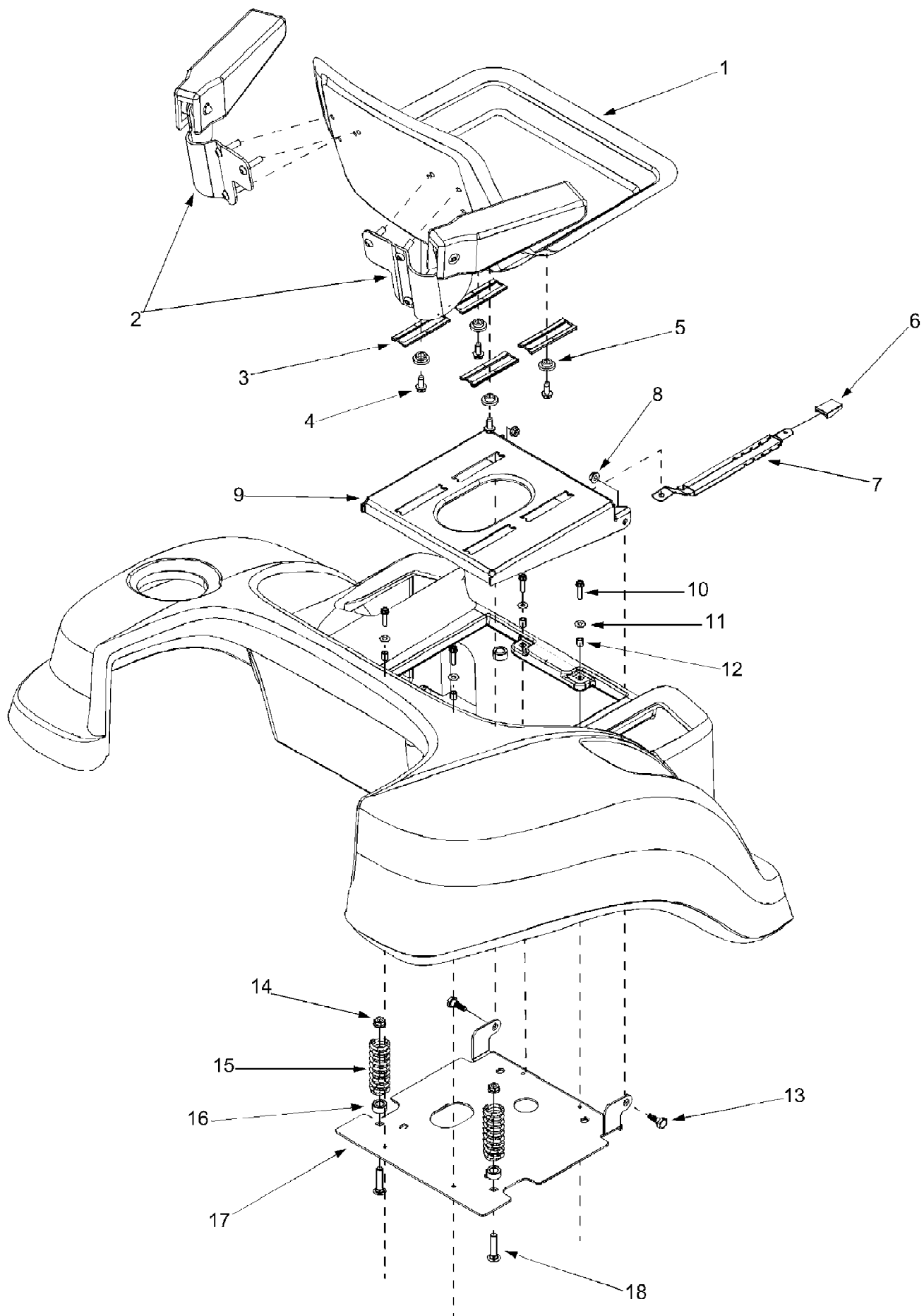
Ref #	Part Number	Qty	S/P/F	Description
1	732-0772	1		Extension Spring 1.25 OD x 11.5 Lg
2	711-0509	1		Spring
3	712-3007	1	/P	Hex Jam Nut 5/16-18
4	712-0116	1	S	Jam Lock Nut 3/8-24
5	711-1059	1		Ferrule
6	736-0159	1	S	Washer 5/16
7	710-1207	1	/P	Hex Cap Screw 5/16-18 x 3.50



ZT-2150 (2001)
Parking Brake & Linkage

Page 32 of 36

Ref #	Part Number	Qty	S/P/F	Description
1	603-0649	1		Parking Brake Shift Ass'y
2	714-3004	1		Cotter Pin
3	710-3178	1	/P	Carriage Bolt 3/8-16 x .75
4	741-0324	1	S	Hex Flange Bearing .506 ID x .590
5	703-3400	1		Brake Mounting Bracket
6	747-3404	1		Connecting Brake Rod
7	714-0104	1	S	Cotter Pin
8	710-0134	1	/P	Carriage Screw 1/4-20 x .62
9	712-3027	1	S	Hex Flange Lock Nut 1/4-20
10	703-3405	1		Support Plate
11	714-0101	1	S	Cotter Pin
12	703-2857	1		Retaining Rod Bracket
13	732-0827	1		Torsion Spring 5/16
14	747-3397	1		Parking Brake Retaining Rod
15	735-0664	1		Parking Brake Pad
16	603-0683	1		Brake Rod Ass'y
17	711-3357	1	S	Ferrule
18	712-0314	1		Jam Nut 1/4-28
19	736-0258	1	/P	Flat Washer .385 ID x 1.0 OD
20	712-0431	1	S	Flange Lock Nut 3/8-16
21	747-3266A	1	/P	Bracket Rod
22	732-0463	1	S	Extension Spring
23	732-0800	1		Extension Spring
24	747-3284	1		Release Pump Rod RH
25	747-3363	1		Release Pump Rod LH

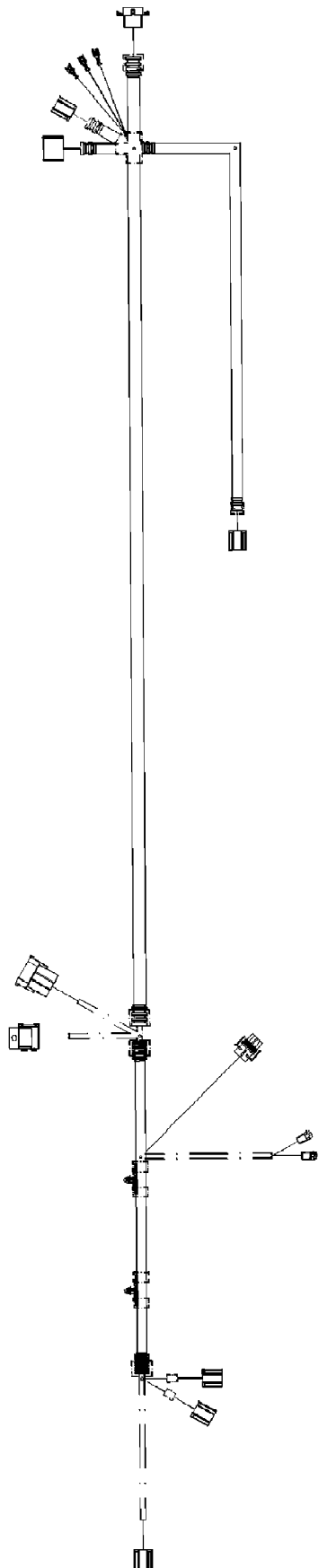


ZT-2150 (2001)
Seat Assembly

Page 34 of 36

Ref #	Part Number	Qty	S/P/F	Description
1	757-0375B	1	S	Seat Ass'y
2	757-3009	1		Seat Arm Ass'y (If Equipped)
3	731-3154	1		Seat Slide
4	710-1260A	1	/P	Hex Washer Screw 5/16-18 x .750
5	738-0372	1	S	Shoulder Spacer
6	720-0190	1	S	Height Adjuster Knob
7	732-3098	1		Spring Index
8	712-3004A	1	/P	Flange Lock Nut 5/16-18
9	603-0294	1	S	Seat Base Bracket Ass'y
10	710-0788	1	/P	Hex Washer Screw 1/4-20 x 1.0
11	736-0463	1	S	Flat Washer .25 x .630
12	750-3276	1		Spacer
13	738-0296	1	S	Shoulder Screw
14	712-3005	1	S	Flange Lock Nut 3/8-16
15	732-3080	1	S	Compression Spring
16	750-0664	1		Spacer
17	603-0730	1	S	Seat Plate Ass'y
18	710-0560	1	/P	Hex Carriage Screw 3/8-16 x 1.75

629-3070



ZT-2150 (2001)
Wire Harness

Ref #	Part Number	Qty	S/P/F	Description
629-3070	629-3070	1		HARNESS-MAIN WIRE
