

ZT-1850
44" Deck Assembly

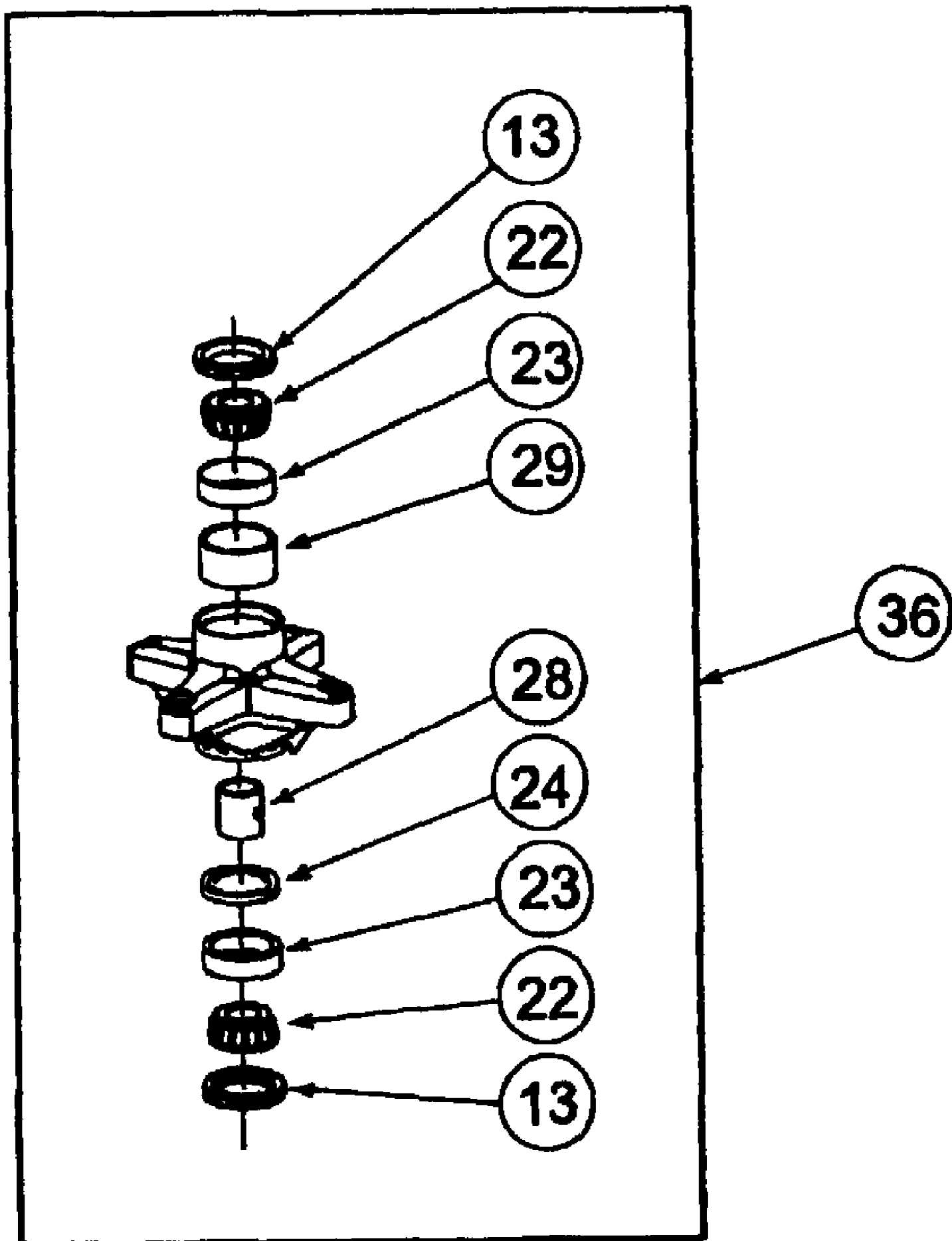
Page 2 of 34

| Ref # | Part Number | Qty | S/P/F | Description |
|-------|-------------|-----|-------|---------------------------------|
| 1 | 732-0556 | 1 | S | Extension Spring .94 OD x 7.57 |
| 2 | 712-3006 | 1 | /P | Hex Nut 1/4-20 |
| 3 | 710-0597 | 1 | /P | Hex Cap Screw 1/4-20 x 1.0 |
| 4 | 710-3151 | 1 | /P | Hex Cap Screw 5/8-18 x 4.25 |
| 5 | 736-0290 | 1 | /P | Flat Washer 5/8 ID x 1.0 OD |
| 6 | 741-0524 | 1 | S | Bearing .625 ID x 1.574 OD |
| 7 | 754-3091 | 1 | S | Belt |
| 8 | 716-3020 | 1 | S | Snap Ring |
| 9 | 750-3164 | 1 | | Spacer .635 ID x 2.0 |
| 10 | 712-0239 | 1 | S | Hex Lock Nut 1/2-20 |
| 11 | 736-0179 | 1 | S | Flat Washer 1/2 x 1.25 |
| 12 | 736-0188 | 1 | /P | Flat Washer .76 ID x 1.49 OD |
| 13 | 741-0338 | 1 | /P | Flange Bearing 3/4 ID x .52 |
| 14 | 750-0656 | 1 | /P | Spacer .50 OD x .75 ID |
| 15 | 756-3108 | 1 | | Pulley |
| 16 | 732-0850 | 1 | S | Extension Spring 1.0 OD x 6.140 |
| 17 | 603-0743 | 1 | S | Idler Assembly |
| 18 | 736-0100 | 1 | /P | Flat Washer .531 ID x 1.25 OD |
| 19 | 737-3000 | 1 | S | Grease Fitting |
| 20 | 738-3172 | 1 | | Shoulder Screw |
| 21 | 603-0741 | 1 | | Idler Arm Assembly |
| 22 | 732-3067 | 1 | | Torsion Spring |
| 23 | 756-3005 | 1 | /P | Flat Pulley |
| 24 | 712-0431 | 1 | S | Flange Lock Nut 3/8-16 |
| 25 | 748-3100 | 1 | | Retainer Spring |
| 26 | 603-0763 | 1 | S | Deck Mounting Plate Assembly |
| 27 | 712-3004A | 1 | /P | Flange Lock Nut 5/16-18 |
| 28 | 703-2559 | 1 | | Stop Bracket |
| 29 | 710-3008 | 1 | /P | Hex Cap Screw 5/16-18 x .75 |
| 30 | 726-3045 | 1 | | Button Plug |
| 31 | 703-3742 | 1 | | Belt Cover LH |
| 32 | 712-3010 | 1 | S | Hex Nut 5/16-18 |
| 33 | 736-0119 | 1 | S | Lock Washer 5/16 |
| 34 | 738-0213 | 1 | /P | Shoulder Screw .498 x 1.445 |
| 35 | 736-0192 | 1 | S | Flat Washer .531 x .93 |
| 36 | 603-0766 | 1 | S | Handle Assembly |
| 37 | 710-1693 | 1 | | Spindle Bolt 3/4-16 x 5.215 |
| 38 | 756-3089 | 1 | | Pulley |
| 39 | 710-3144 | 1 | /P | Hex Cap Screw 3/8-16 x 2.0 |
| 41 | 710-1611 | 1 | S | Screw 5/16-18 x .750 |
| 42 | 748-3065 | 1 | S | Spindle Spacer |
| 43 | 715-3003 | 1 | | Pin |
| 44 | 747-3013 | 1 | | Support Pin |
| 45 | 732-0802 | 1 | | Compression Spring .63 OD x 6.3 |
| 46 | 710-1260A | 1 | /P | Hex Washer Screw 5/16-18 x .750 |
| 47 | 750-3119 | 1 | /P | Spacer .406 ID x 1.0 OD |
| 48 | 750-0150 | 1 | | Spacer .550 ID x .750 OD |
| 49 | 603-0734 | 1 | | Deck Assembly |
| 50 | 710-3178 | 1 | /P | Carriage Bolt 3/8-16 x .75 |
| 51 | 754-3039 | 1 | S | Belt |
| 52 | 618-3129 | 1 | S | Spindle Assembly |
| 53 | 748-3020 | 1 | S | Blade Spacer |
| 54 | 742-3036 | 1 | S | Blade |

ZT-1850
44" Deck Assembly

Page 3 of 34

| Ref # | Part Number | Qty | S/P/F | Description |
|-------|-------------|-----|-------|-------------------------------|
| 55 | 712-3078 | 1 | /P | Hex Flange Nut 3/4-16 |
| 56 | 736-0171 | 1 | S | Lock Washer 7/16 |
| 57 | 712-3019 | 1 | S | Hex Nut 7/16-14 |
| 58 | 736-0105 | 1 | /P | Bell Washer .401 ID x .870 OD |
| 59 | 703-1890 | 1 | S | Deck Wheel |
| 60 | 631-0094 | 1 | S | Chute Assembly |
| 61 | 738-3056 | 1 | S | Shoulder Screw 1/2 x 2.5 |
| 62 | 703-3359 | 1 | | Skirt Baffle |
| 63 | 710-0260 | 1 | S | Carriage Bolt 5/16-18 x .62 |
| 64 | 731-3316 | 1 | | Mulching Plug |
| 65 | 711-3314 | 1 | S | Roller Pin |
| 66 | 703-3743 | 1 | | Belt Cover RH |
| 67 | 731-3005 | 1 | /P | Front Roller |
| 68 | 714-0115 | 1 | S | Pin |
| 69 | 736-0270 | 1 | /P | Bell Washer .265 ID x .75 OD |
| 70 | 710-0751 | 1 | /P | Hex Cap Screw 1/4-20 x .620 |

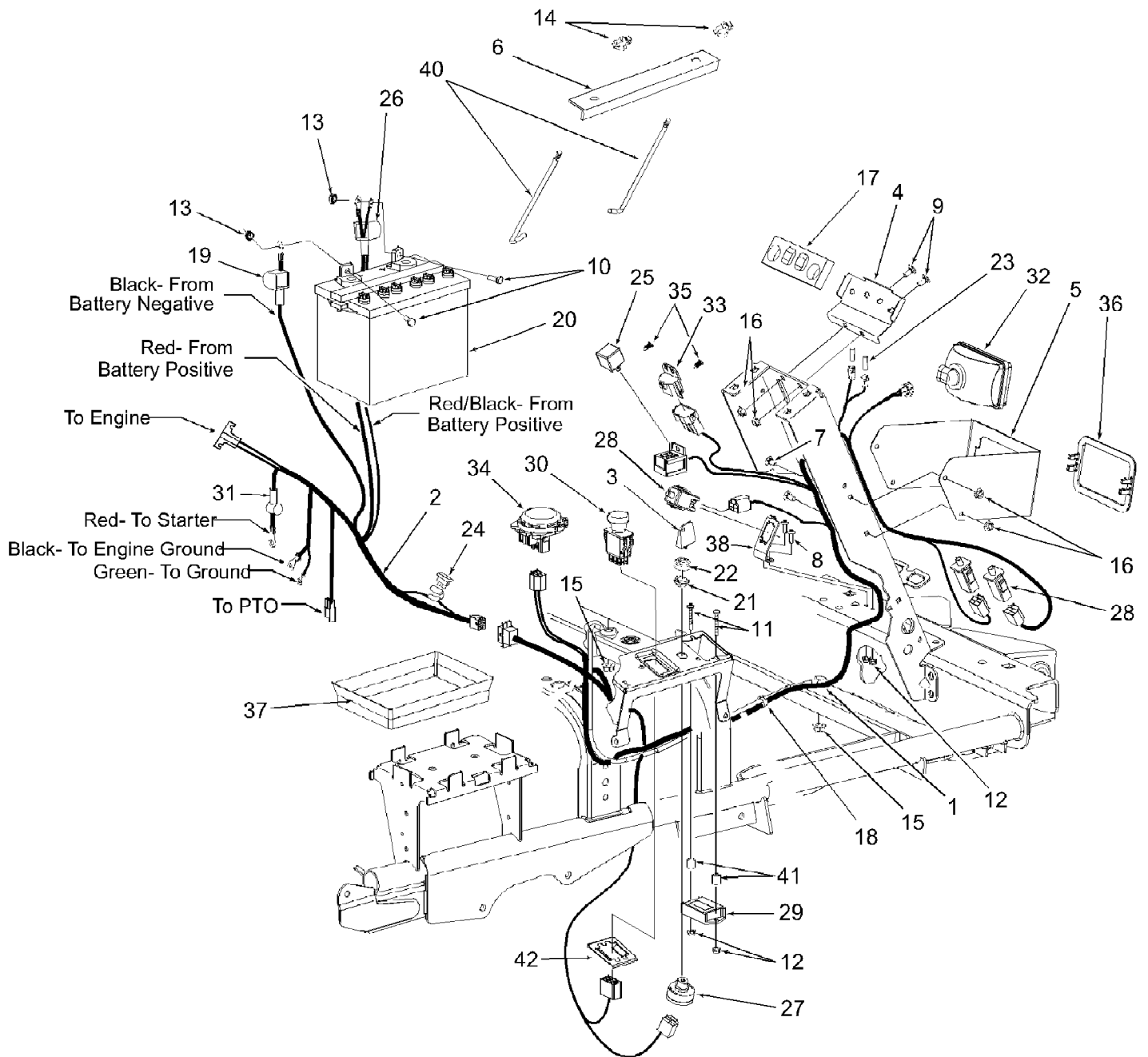


ZT-1850
44" Deck Spindle Assembly

Page 5 of 34

| Ref # | Part Number | Qty | S/P/F | Description |
|-------|-------------|-----|-------|---------------------------------------|
| 13 | 721-3018 | 4 | S | Seal, Oil, 1.25 x 1.874 x .25 |
| 22 | 741-3028 | 4 | S | Cone, Bearing |
| 23 | 741-3029 | 4 | /P | Cup, Bearing |
| 24 | 741-3031 | 2 | S | Spacer, Bearing |
| 28 | 750-3190 | 2 | S | Spacer, Bearing, .780 x .963 x .7777 |
| 29 | 750-3191 | 2 | | Spacer, Bearing, 1.615 x 1.86 x .8427 |
| 36 | 918-3129 | 2 | S | Spindle Assy |

ZT-1850
Battery, Electric Components And Switches

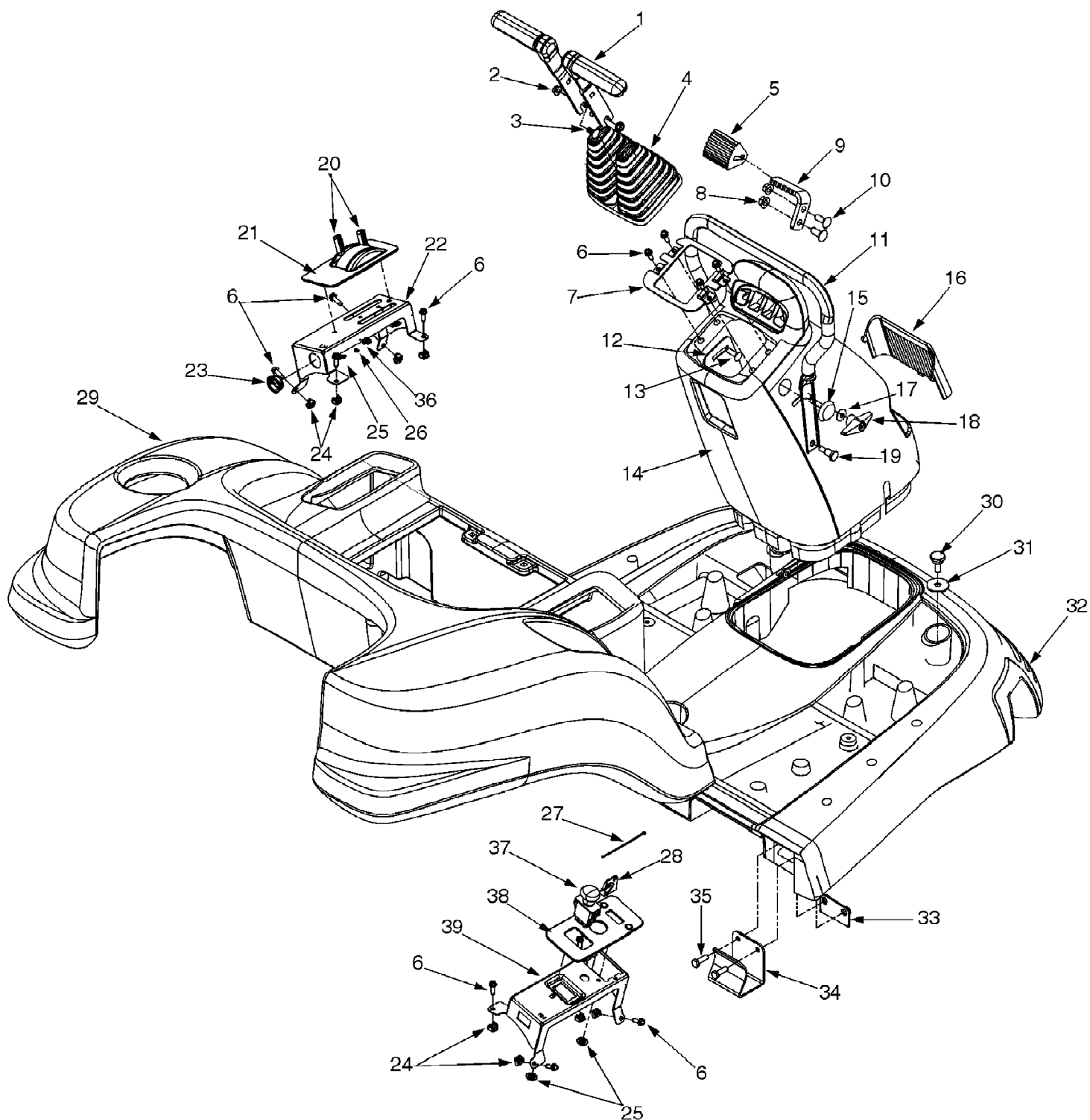


ZT-1850

Page 7 of 34

Battery, Electric Components And Switches

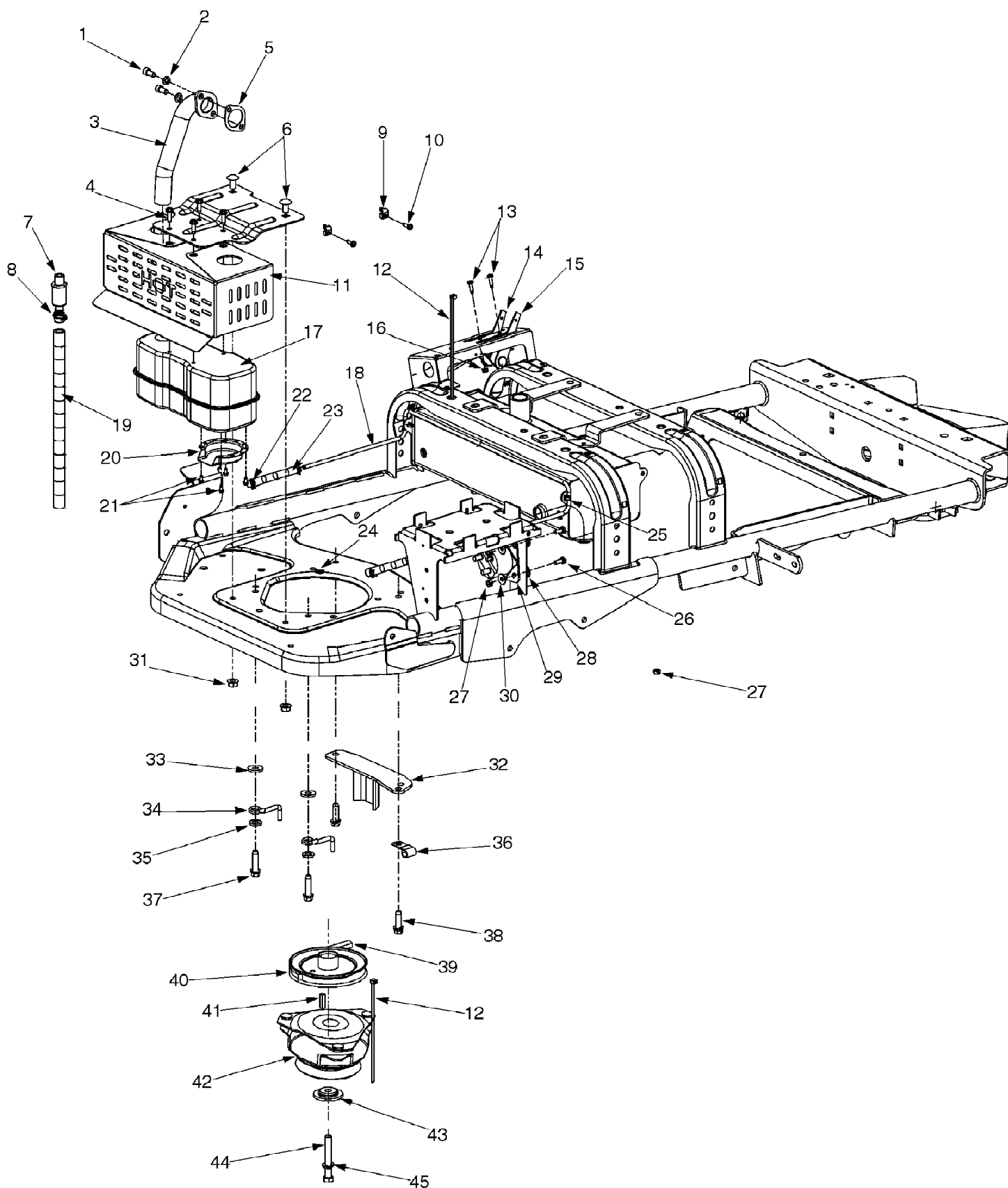
| Ref # | Part Number | Qty | S/P/F | Description |
|-------|-------------|-----|-------|------------------------------------------|
| 1 | 629-3033 | 1 | | Main Wire Harness |
| 2 | 629-3036 | 1 | | Engine Wire Harness Inc. 19, 24, 26 & 31 |
| 3 | 703-1345A | 1 | | Ignition Key |
| 4 | 703-2809 | 1 | S | Indicator Bulb Mounting Bracket |
| 5 | 703-2836 | 1 | | Headlight Mounting Bracket |
| 6 | 703-3149 | 1 | S | Battery Retainer Strip |
| 7 | 710-0134 | 1 | /P | Carriage Bolt 1/4-20 x .62 |
| 8 | 710-0425 | 1 | /P | Machine Screw #10-24 x 5/8 |
| 9 | 710-3013 | 1 | /P | Hex Cap Screw 1/4-20 x .50 |
| 10 | 710-3015 | 1 | /P | Hex Cap Screw 1/4-20 x .75 |
| 11 | 710-3143 | 1 | /P | Pan Head Cutting Screw #10-24 |
| 12 | 712-0161 | 1 | /P | Hex Insert Lock Nut #10-24 |
| 13 | 712-0271 | 1 | /P | Hex Sems Nut 1/4-20 |
| 14 | 712-0397 | 1 | S | Nylon Wing Nut 1/4-20 |
| 15 | 712-0431 | 1 | S | Hex Flange Lock Nut 3/8-16 |
| 16 | 712-3027 | 1 | S | Hex Flange Lock Nut 1/4-20 |
| 17 | 723-0455 | 1 | | Indicator Light Foam Protector |
| 18 | 725-0157 | 1 | /P | Cable Tie |
| 19 | 725-0340 | 1 | | Battery Terminal Cover - Black |
| 20 | 725-1722 | 1 | S | Battery |
| 21 | 725-1346 | 1 | S | Ignition Switch Nut 5/8-32 |
| 22 | 725-1347 | 1 | /P | Ignition Switch Cap |
| 23 | 725-1365 | 1 | S | Indicator Bulb |
| 24 | 725-1656 | 1 | | Mini 20 Amp Fuse |
| 25 | 725-1718 | 1 | S | Relay |
| 26 | 725-3007A | 1 | /P | Battery Terminal Cover - Red |
| 27 | 725-3163 | 1 | S | Ignition Switch |
| 28 | 725-3164A | 1 | S | Plunger Safety Switch |
| 29 | 725-3229 | 1 | | Hourmeter/Tachometer |
| 30 | 725-3233 | 1 | S | PTO Switch |
| 31 | 725-3237 | 1 | | Terminal Cover - Red |
| 32 | 725-3250 | 1 | S | Headlight Ass'y |
| | 759-3864 | 1 | S | Headlight Bulb |
| 33 | 725-3251 | 1 | S | Voltage Sensor |
| 34 | 725-3253 | 1 | S | Seat Switch |
| 35 | 726-0349 | 1 | S | Ratcheet Retainer |
| 36 | 731-3184 | 1 | | Headlight Bezel |
| 37 | 731-3233 | 1 | | Battery Tray |
| 38 | 732-0816 | 1 | | Switch Mounting Spring |
| 40 | 747-3347 | 1 | | Battery Retainer Rod |
| 41 | 750-0539 | 1 | S | Spacer |
| 42 | 783-0462 | 1 | /P | PTO Switch Retainer Bracket |



ZT-1850
Body Cover and Console

Page 9 of 34

| Ref # | Part Number | Qty | S/P/F | Description |
|-------|-------------|-----|-------|-------------------------------|
| 1 | 731-3263 | 1 | S | Control Handle |
| 2 | 712-3004A | 1 | /P | Flange Lock Nut 5/16-18 |
| 3 | 710-0451 | 1 | /P | Carriage Bolt 5/16-18 |
| 4 | 731-3185 | 1 | | Bellow |
| 5 | 735-0251 | 1 | | Foot Pad |
| 6 | 710-0642 | 1 | /P | Hex Washer Screw 1/4-20 x .75 |
| 7 | 703-2648 | 1 | | Bellow Retainer Bracket |
| 8 | 712-0431 | 1 | S | Flange Lock Nut 3/8-16 |
| 9 | 703-2807B | 1 | S | Foot Pad Mounting Bracket |
| 10 | 710-3168 | 1 | /P | Carriage Bolt 3/8-16 |
| 11 | 749-3081 | 1 | | Cruise Control Tube |
| 12 | 703-3288 | 1 | S | Control Tube Mounting Bracket |
| 13 | 710-0276 | 1 | /P | Carriage Screw 5/16-16 x 1.0 |
| 14 | 731-3283 | 1 | | Console |
| 15 | 726-0289 | 1 | | Plug |
| 16 | 731-3128A | 1 | | Lens |
| 17 | 736-0242 | 1 | /P | Bell Washer .340 ID x .672 OD |
| 18 | 720-0241 | 1 | S | Wingnut Knob |
| 19 | 738-0754 | 1 | | Shoulder Screw |
| 20 | 720-0302 | 1 | | Knob |
| 21 | 731-3195A | 1 | | LH Control Panel Cover |
| 22 | 603-0424 | 1 | S | LH Control Panel Assembly |
| 23 | 723-3042 | 1 | | Snap Bushing |
| 24 | 712-0453 | 1 | | Retainer Nut 1/4-20 |
| 25 | 726-3047 | 1 | S | Push Nut |
| 26 | 728-0117 | 1 | | Pop Rivet |
| 27 | 726-0197 | 1 | | Cable Tie |
| 28 | 725-1341B | 1 | /P | Key |
| 29 | 731-3309 | 1 | | Rear Body |
| 30 | 738-3163A | 1 | /P | Shoulder Screw 3/8-16 |
| 31 | 736-3039 | 1 | S | Flat Washer .406 ID x 1.5 OD |
| 32 | 731-3318 | 1 | | Floor Body |
| 33 | 603-0578 | 1 | | Body Plate Assembly |
| 34 | 703-3474 | 1 | S | Body Clip |
| 35 | 710-0376 | 1 | /P | Hex Cap Screw 5/16-18 x 1.0 |
| 36 | 732-0830 | 1 | S | Spring Clip |
| 37 | 725-1716 | 1 | S | Electric PTO Switch |
| 38 | 731-3196 | 1 | | RH Control Panel Cover |
| 39 | 603-0425 | 1 | | RH Control Panel Assembly |

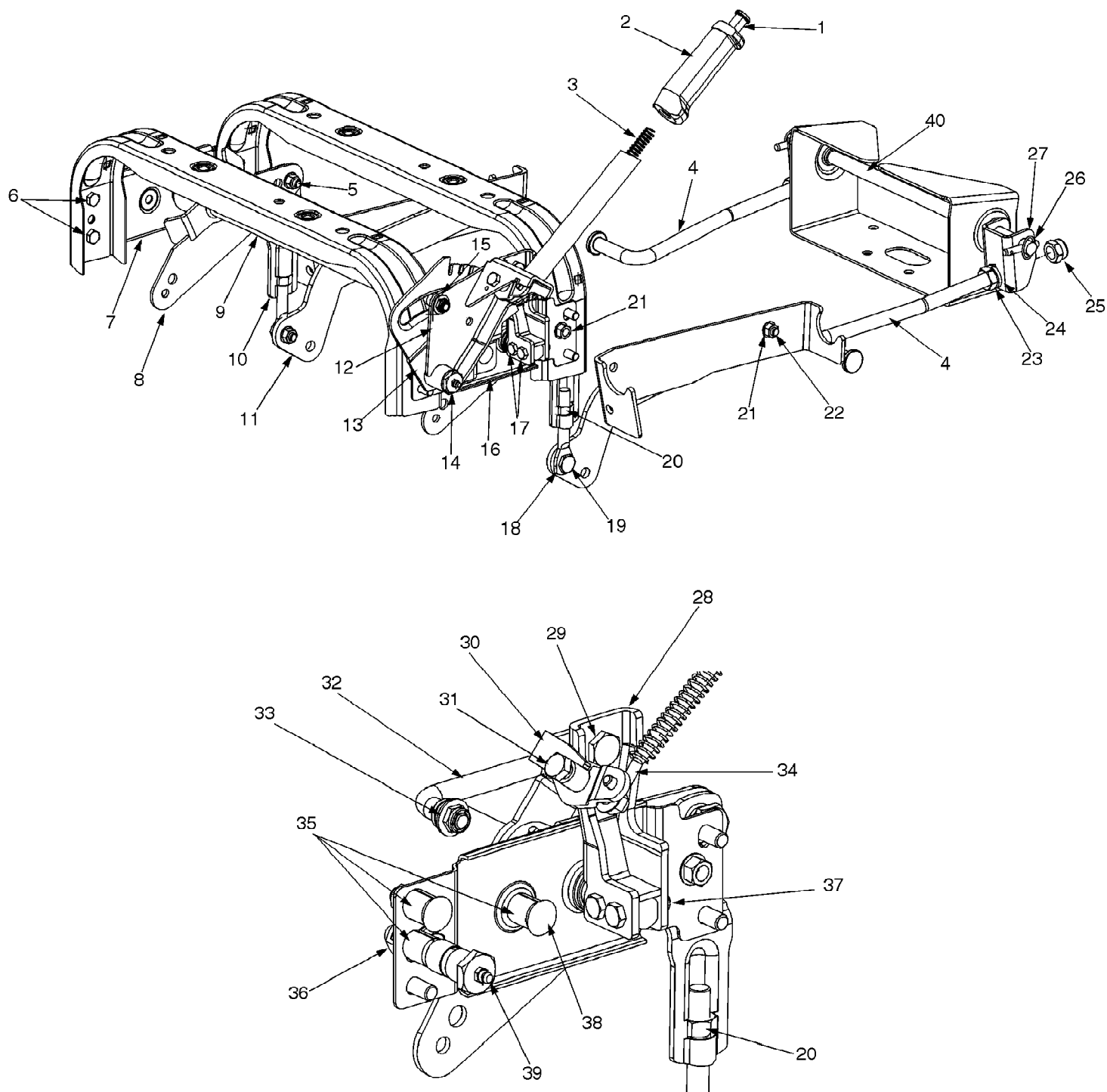


ZT-1850

Page 11 of 34

Choke And Throttle Cable, Muffler Assembly, P.T.O. Clutch, Engine Acc

| Ref # | Part Number | Qty | S/P/F | Description |
|-------|-------------|-----|-------|--------------------------------|
| 1 | 710-1314 | 1 | S | Cap Screw 5/16-18 |
| 2 | 736-0119 | 1 | S | Lock Washer 5/16 |
| 3 | 751-0619 | 1 | S | Exhaust Pipe |
| 4 | 710-0642 | 1 | /P | Hex Washer Screw 1/4-20 x .75 |
| 5 | 721-0208 | 1 | S | Exhaust Gasket |
| 6 | 710-3178 | 1 | /P | Carriage Bolt 3/8-16 x .75 |
| 7 | 751-3140 | 1 | S | Oil Drain |
| 8 | 751-3142 | 1 | | Oil Drain Cap |
| 9 | 751B213146 | 1 | /P | Throttle Clamp |
| 10 | 710-1237 | 1 | | Hex Washer Screw #10-32 x .625 |
| 11 | 703-3004 | 1 | S | Muffler Bracket |
| 12 | 725-0157 | 1 | /P | Cable Tie |
| 13 | 710-3009 | 1 | /P | Screw #10-24 x .75 |
| 14 | 746-3074 | 1 | | Throttle Cable Control 32" |
| 15 | 746-3073 | 1 | | Choke Cable Control 32.25" |
| 16 | 712-0161 | 1 | /P | Hex Lock Nut #10 - 24 |
| 17 | 751-0617 | 1 | S | Muffler |
| 18 | 749-3048 | 1 | | Fuel Line |
| 19 | 751-3141 | 1 | S | Oil Drain Hose |
| 20 | 751-0564 | 1 | S | Muffler Deflector |
| 21 | 710-0148 | 1 | /P | Hex Washer Screw #8-32 x .375 |
| 22 | 726-0205 | 1 | /P | Hose Clamp |
| 23 | 751-0535 | 1 | | Fuel Line Hose |
| 24 | 736-0607 | 1 | /P | Lock Washer 5/16 |
| 25 | 725-1711 | 1 | | Retainer Clip |
| 26 | 710-0751 | 1 | /P | Hex Cap Screw 1/4-20 x .620 |
| 27 | 712-0291 | 1 | S | Hex Lock Nut 1/4-20 |
| 28 | 736-3006 | 1 | | Lock Washer 1/4 ID x 3/4 OD |
| 29 | 725-3001 | 1 | S | Solenoid |
| 30 | 736-0270 | 1 | /P | Bell Washer .265 ID x .75 OD |
| 31 | 712-0431 | 1 | S | Flange Lock Nut 3/8-16 |
| 32 | 603-0317 | 1 | S | Clutch Retainer Ass'y |
| 33 | 736-0256 | 1 | S | Flat Washer .365 ID x 1.0 OD |
| 34 | 747-3362 | 1 | | Rear Belt Retainer Rod |
| 35 | 736-3010 | 1 | | Flat Washer .407 ID x .812 OD |
| 36 | 726-3008 | 1 | /P | Heat Shield Cable Clip |
| 37 | 710-1007 | 1 | /P | Hex Washer Screw 3/8-16 x 1.5 |
| 38 | 710-0502A | 1 | /P | Hex Washer Screw 3/8-16 x 1.25 |
| 39 | 754-3076 | 1 | S | V-Belt |
| 40 | 756-3060 | 1 | | Pulley |
| 41 | 714-0128 | 1 | /P | Key |
| 42 | 717-3467 | 1 | | Electric Clutch |
| 43 | 750-3106 | 1 | | Spacer Clutch |
| 44 | 710-0510 | 1 | /P | Hex Cap Screw 7/16-20 x 3.0 |
| 45 | 736-0171 | 1 | S | Lock Washer 7/16 |

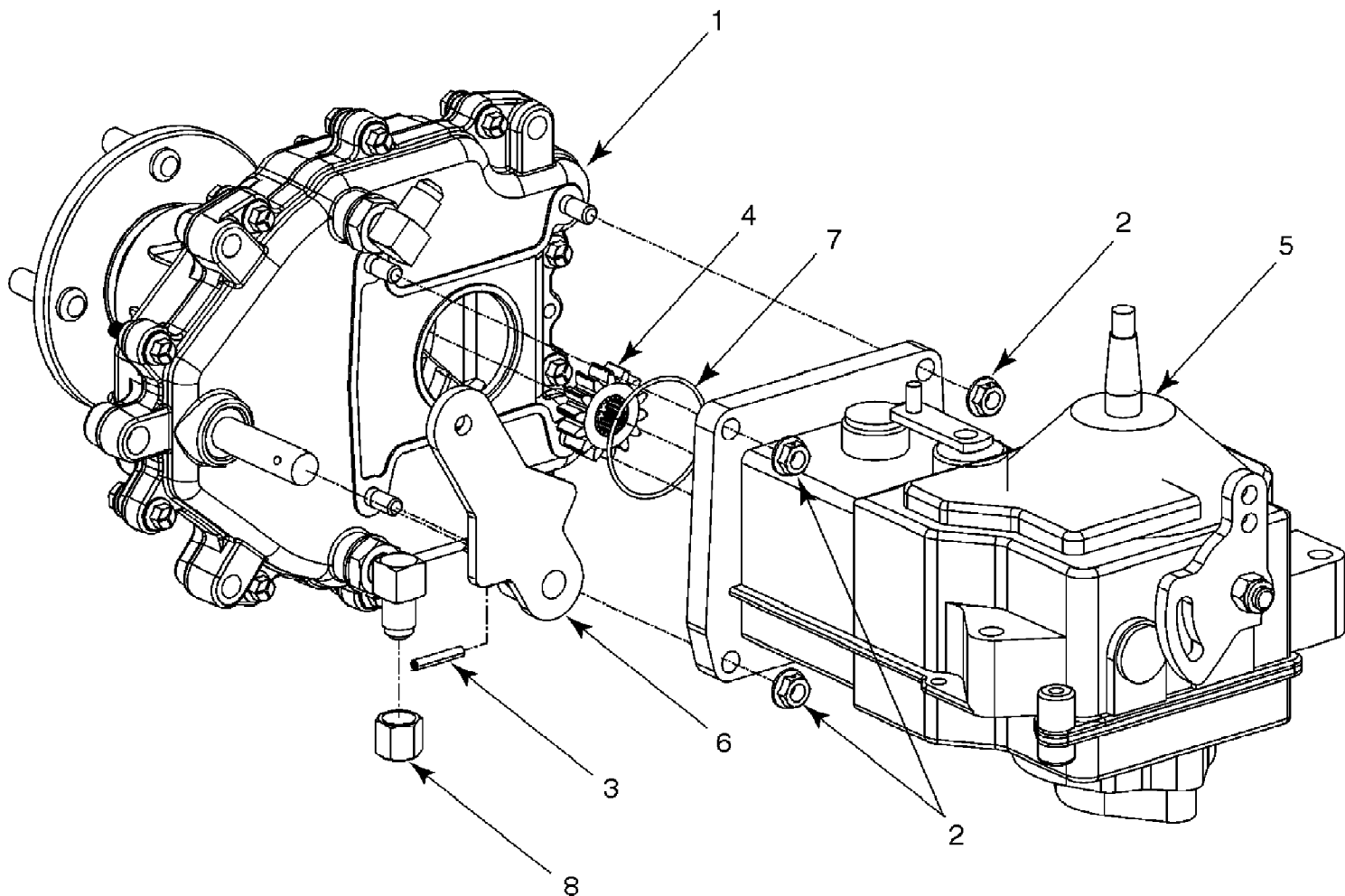


ZT-1850
Deck Lift Assembly

Page 13 of 34

| Ref # | Part Number | Qty | S/P/F | Description |
|-------|-------------|-----|-------|---------------------------------|
| 1 | 711-0642A | 1 | /P | Handle Button |
| 2 | 731-3158 | 1 | | Handle Deck Lift Grip |
| 3 | 732-3097 | 1 | | Compression Spring |
| 4 | 747-3405 | 1 | | Front Lift Rod |
| 5 | 738-0507B | 1 | S | Shoulder Screw .500 Dia x .434 |
| 6 | 710-0216 | 1 | /P | Hex Cap Screw 3/8-16 x .75 |
| 7 | 603-0422 | 1 | S | Shaft Mounting Bracket - LH |
| 8 | 603-0370 | 1 | | Pivot Link Bearing Ass'y |
| 9 | 603-0313 | 1 | S | Lift Shaft Ass'y |
| 10 | 703-2621 | 1 | | Adjustable Deck Lift Link |
| 11 | 703-2780 | 1 | | Lift Parallel Link |
| 12 | 603-0327 | 1 | | Handle Bearing Ass'y |
| 13 | 703-2772 | 1 | | Deck Height Adjustable Plate |
| 14 | 738-3150 | 1 | | Lift Handle Shoulder Screw |
| 15 | 712-3020 | 1 | S | Top Lock Jam Nut 3/8-16 |
| 16 | 603-0423 | 1 | | Shaft Mounting Bracket - RH |
| 17 | 710-3083 | 1 | /P | Hex Cap Screw 5/16-18 x 1.375 |
| 18 | 711-0773 | 1 | | Eye Bolt Adjustable Link |
| 19 | 738-0380 | 1 | S | Shoulder Screw 3/8-16 |
| 20 | 712-0206 | 1 | S | Hex Nut 1/2-13 |
| 21 | 712-0431 | 1 | S | Flange Lock Nut 3/8-16 |
| 22 | 738-3151 | 1 | | Shoulder Screw 3/8-16 .56 x .27 |
| 23 | 712-3015 | 1 | S | Jam Nut 5/8-11 |
| 24 | 736-0158 | 1 | S | Lock Washer 5/6 |
| 25 | 712-3016 | 1 | /P | Lock Hex Nut 5/8-11 |
| 26 | 711-3266 | 1 | S | Clevis Pin |
| 27 | 703-3407 | 1 | S | Front Lift Bracket |
| 28 | 603-0401 | 1 | S | Lift Arm Ass'y |
| 29 | 738-0183 | 1 | S | Shoulder Screw 3/8-16 .50 x .21 |
| 30 | 603-0257 | 1 | /P | Fork Lift Ass'y |
| 31 | 710-3011 | 1 | /P | Hex Cap Screw 3/8-16 x 2.25 |
| 32 | 747-3276 | 1 | | Lift Link Rod |
| 33 | 736-0300 | 1 | S | Flat Washer .406 x .875 |
| 34 | 747-3267 | 1 | | Handle Arm |
| 35 | 750-3200 | 1 | | Spacer .448 ID x .688 OD |
| 36 | 712-0290 | 1 | /P | Lock Nut 7/16-14 |
| 37 | 712-3009 | 1 | S | Hex Center L-Nut 5/16-18 |
| 38 | 710-0431 | 1 | /P | Hex Screw 3/8-16 x 1.50 |
| 39 | 737-0280 | 1 | S | Grease Fitting |
| 40 | 747-3406 | 1 | | Front Mounting Rod Bracket |

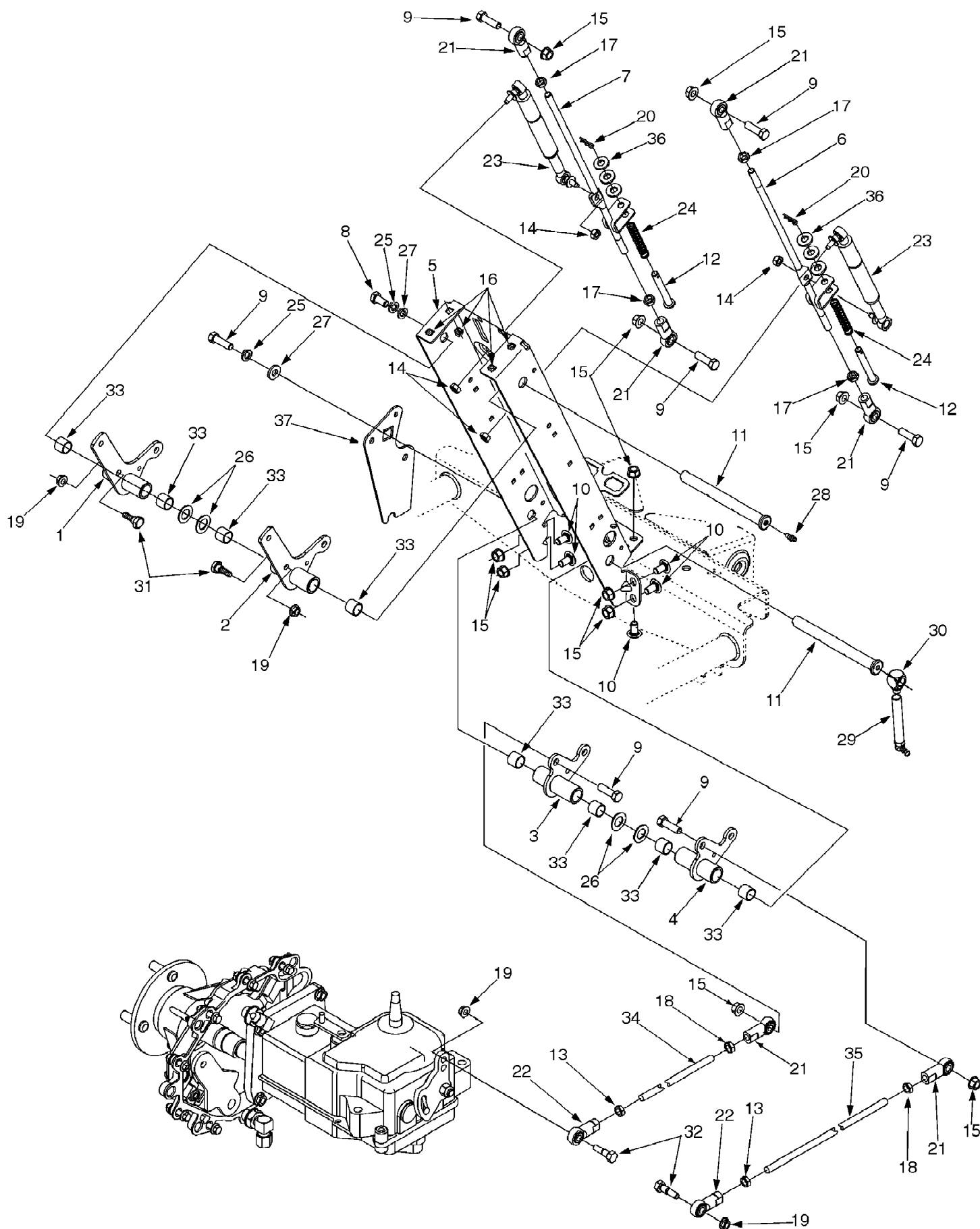
ZT-1850
Drive Assembly Complete



ZT-1850
Drive Assembly Complete

Page 15 of 34

| Ref # | Part Number | Qty | S/P/F | Description |
|-------|-------------|-----|-------|-----------------------------|
| 1 | 618-3110A | 1 | S | Drive Ass'y Complete |
| 2 | 712-3004A | 1 | /P | Hex Flange Lock Nut 5/16-18 |
| 3 | 715-0136 | 1 | S | Spirol Pin 3/16 x 1.25 |
| 4 | 717-3396 | 1 | S | Spur Gear 14T |
| 5 | 717-3455 | 1 | S | Hydro Transmission |
| 6 | 718-3053 | 1 | | Parking Brake Lever |
| 7 | 721-0343 | 1 | | O-Ring 2.0 Dia. |
| 8 | 727-3125 | 1 | S | Cap Nut 3/8 |



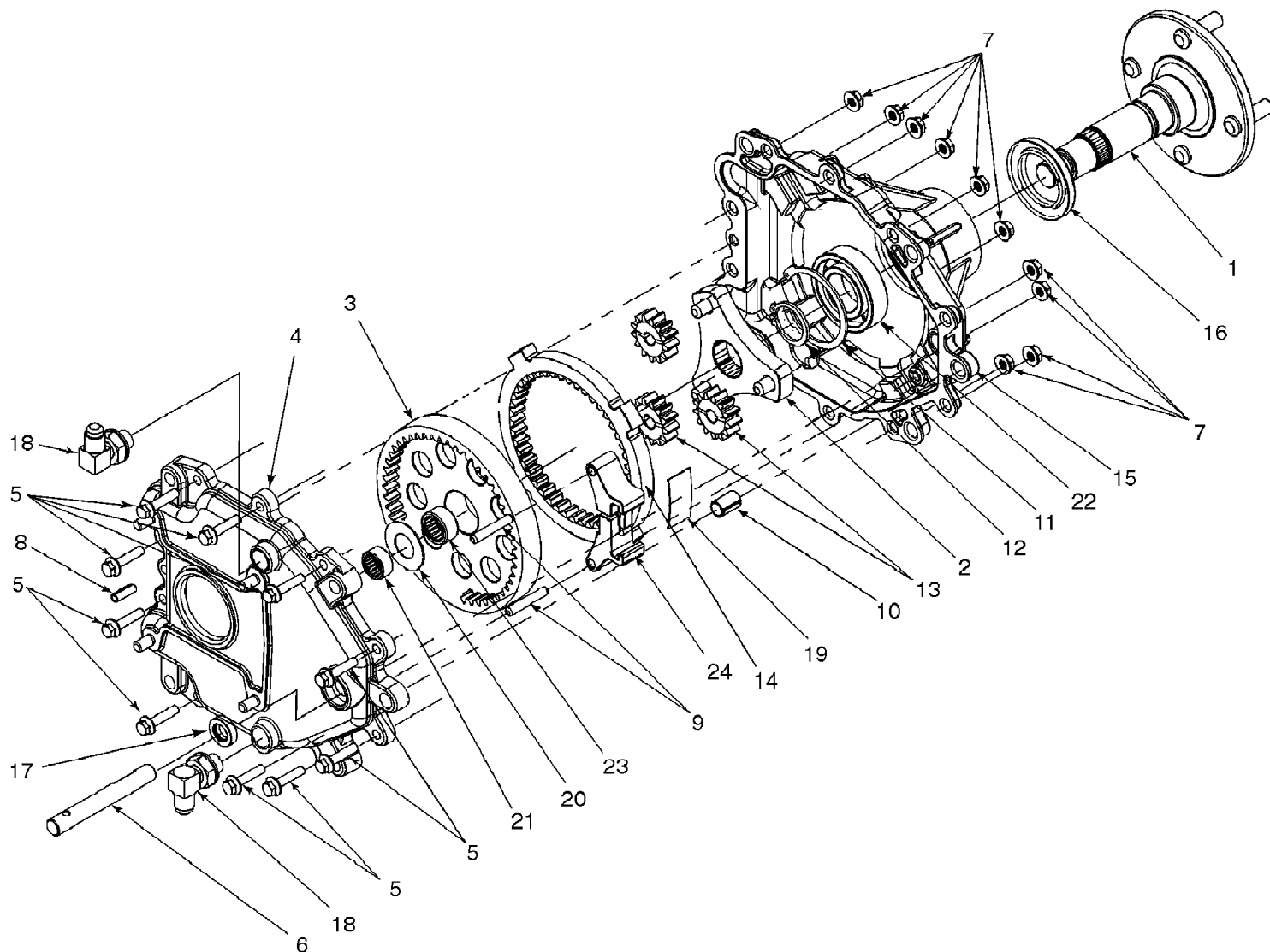
ZT-1850

Page 17 of 34

Drive Controls And Support Tower

| Ref # | Part Number | Qty | S/P/F | Description |
|-------|-------------|-----|-------|---------------------------------|
| 1 | 603-0340 | 1 | S | Bellcrank Ass'y Upper LH |
| 2 | 603-0341 | 1 | S | Bellcrank Ass'y Upper RH |
| 3 | 603-0342 | 1 | S | Bellcrank Ass'y Lower LH |
| 4 | 603-0343 | 1 | S | Bellcrank Ass'y Lower RH |
| 5 | 603-0647 | 1 | S | Support Ass'y Tower |
| 6 | 603-0410 | 1 | | Rod Ass'y Control RH |
| 7 | 603-0411 | 1 | | Rod Ass'y Control LH |
| 8 | 710-0216 | 1 | /P | Hex Cap Screw 3/8-16 x .75 |
| 9 | 710-3005 | 1 | /P | Hex Cap Screw 3/8-16 x 1.25 |
| 10 | 710-3178 | 1 | /P | Carriage Bolt 3/8-16 x .75 |
| 11 | 711-1111 | 1 | | Control Shaft |
| 12 | 711-1124 | 1 | | Pin |
| 13 | 712-0312 | 1 | S | Hex Jam Nut LH 3/8-24 |
| 14 | 712-0365 | 1 | | Hex Center Lock Nut |
| 15 | 712-0431 | 1 | S | Hex Flange Lock Nut 3/8-16 |
| 16 | 712-0453 | 1 | | Retainer 1/4-20 |
| 17 | 712-0711 | 1 | /P | Hex Jam Nut 3/8-24 |
| 18 | 712-3001 | 1 | S | Hex Jam Nut 3/8-24 |
| 19 | 712-3004A | 1 | /P | Hex Flange Lock Nut 5/16-18 |
| 20 | 714-0104 | 1 | S | Cotter Pin |
| 21 | 723-0420 | 1 | S | Spherical Rod End RH 3/8-24 |
| 22 | 723-0421 | 1 | S | Spherical Rod End LH 3/8-24 |
| 23 | 727-3113 | 1 | | Damper Cylinder |
| 24 | 732-3084 | 1 | | Spring Compression |
| 25 | 736-0169 | 1 | S | Lock Washer 3/6 |
| 26 | 736-0539 | 1 | | Thrust Washer .625 ID x 1.12 OD |
| 27 | 736-3004 | 1 | S | Flat Washer.406 ID x.875 OD |
| 28 | 737-0280 | 1 | S | Grease Fitting |
| 29 | 737-3072 | 1 | | Grease Fitting w/Tube |
| 30 | 737-3073 | 1 | | Adapter 1/4-20 |
| 31 | 738-0296 | 1 | S | Shoulder Bolt .437 Dia. x .268 |
| 32 | 738-3153 | 1 | | Shoulder Bolt |
| 33 | 741-3063 | 1 | | Sleeve Bearing |
| 34 | 747-3281 | 1 | | Control Rod LH 31-5/8 |
| 35 | 747-3282 | 1 | | Control Rod RH 35-3/8 |
| 36 | 736-0300 | 1 | S | Flat Washer .406 ID x .87 OD |
| 37 | 703-3405 | 1 | | Plate Support |

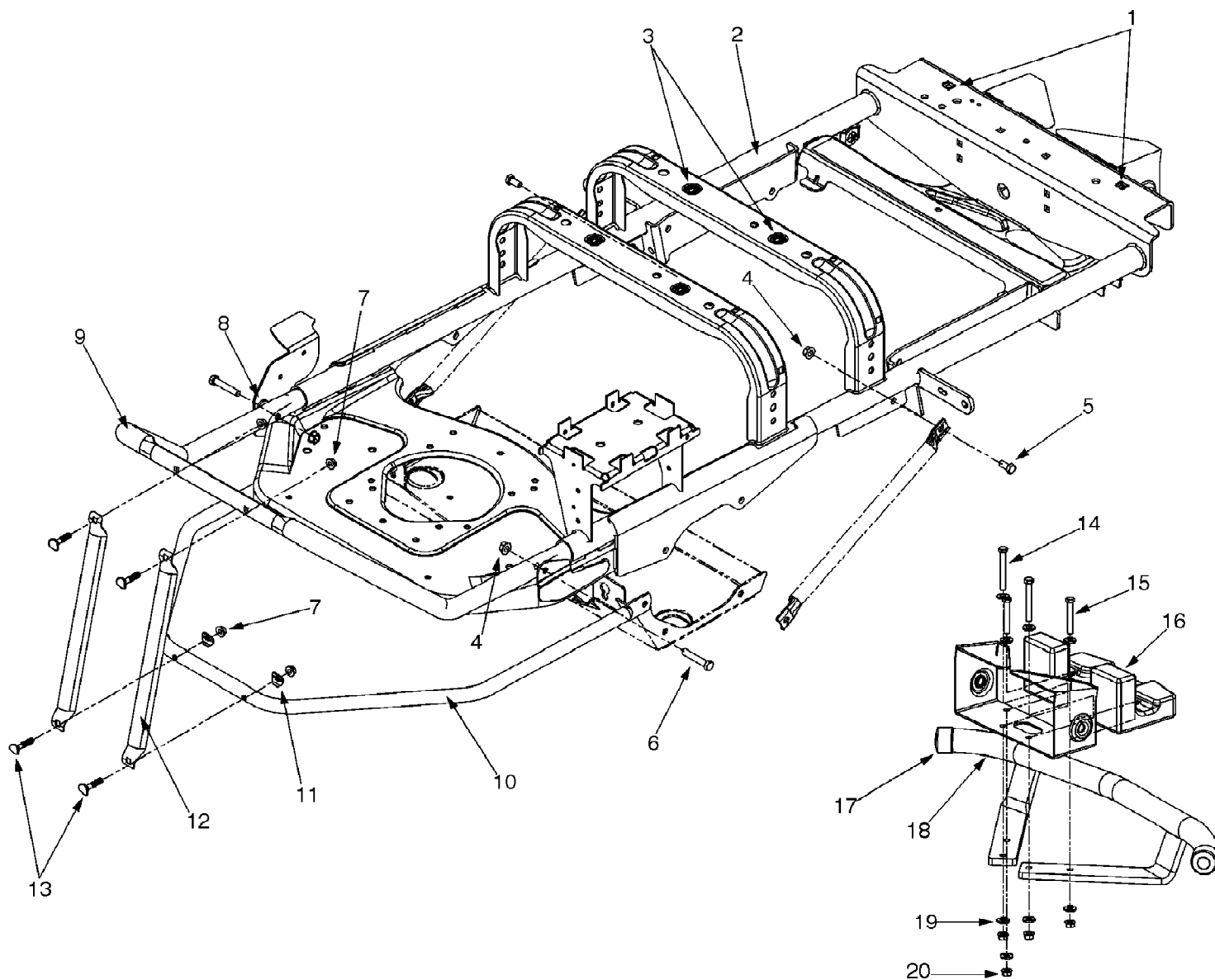
ZT-1850
Final Drive Assembly



ZT-1850
Final Drive Assembly

Page 19 of 34

| Ref # | Part Number | Qty | S/P/F | Description |
|-------|-------------|-----|-------|-----------------------------------|
| | 618-3110A | 1 | S | Drive Ass'y Complete |
| 1 | 611-3012 | 1 | S | Axle Assembly |
| | 710-0852 | 1 | /P | Ribbed Neck Stud |
| 2 | 618-3106 | 1 | S | Carrier Assembly, Output |
| 3 | 618-3107 | 1 | S | Gear Assembly, 51T Internal & 20T |
| 4 | 618-3109 | 1 | S | Housing Ass'y |
| 5 | 710-1342 | 1 | | Hex Washer Screw 1/4-20 x 1-1/8 |
| 6 | 711-1048 | 1 | | Brake Shaft |
| 7 | 712-3027 | 1 | S | Hex Flange Lock Nut 1/4-20 |
| 8 | 715-0156 | 1 | | Roll Pin |
| 9 | 715-0219 | 1 | | Dowel Pin |
| 10 | 715-3045 | 1 | S | Bushing |
| 11 | 716-3015 | 1 | | Inverted Retaining Ring |
| 12 | 716-3018 | 1 | | Snap Ring |
| 13 | 717-3395 | 1 | | Spur Gear 13T |
| 14 | 717-3397 | 1 | | Ring Gear 46T |
| 15 | 719-3114 | 1 | S | Axle Outer Housing |
| 16 | 721-0381 | 1 | S | Oil Seal |
| 17 | 721-0393 | 1 | | Oil Seal |
| 18 | 727-3124 | 1 | S | Elbow Fitting |
| 19 | 732-0752 | 1 | | Brake Shoe Spring |
| 20 | 736-0351 | 1 | S | Shim Washer .76 x 1.5 x .030 |
| | 736-0492 | 1 | S | Shim Washer .76 x 1.5 x .010 |
| | 736-0493 | 1 | S | Shim Washer .76 x 1.5 x .020 |
| 21 | 741-0665 | 1 | /P | Needle Bearing |
| 22 | 741-3033A | 1 | S | Ball Bearing |
| 23 | 741-3080 | 1 | | Needle Bearing |
| 24 | 761-3049 | 1 | | Shoe Brake |

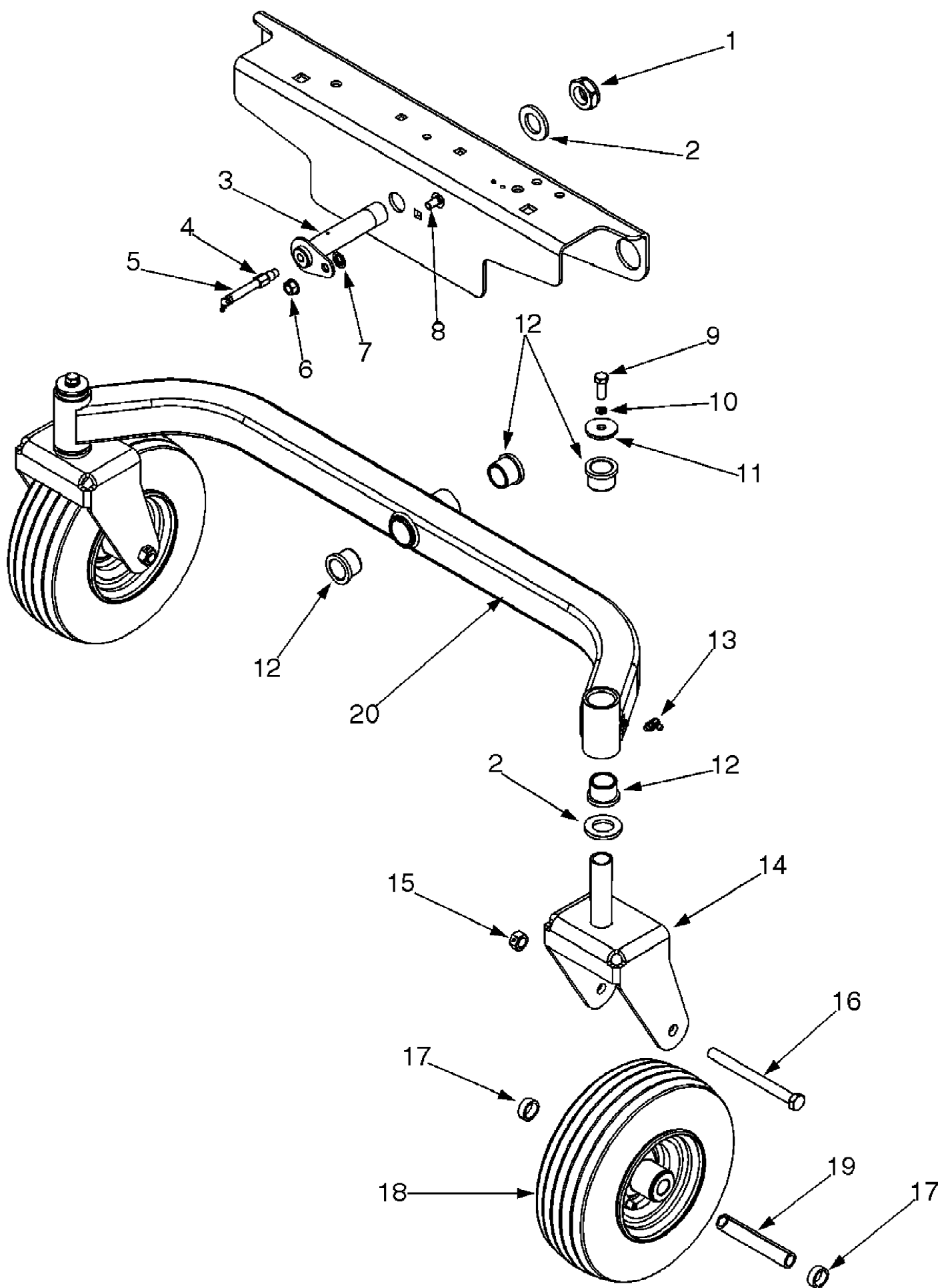


ZT-1850

Page 21 of 34

Frame Assembly And Attachments

| Ref # | Part Number | Qty | S/P/F | Description |
|-------|-------------|-----|-------|-------------------------------|
| 1 | 712-0251 | 1 | | Retainer Nut 3/8-16 |
| 2 | 603-0720 | 1 | S | Frame Assembly |
| 3 | 712-0455 | 1 | | Retainer Nut 3/8-16 |
| 4 | 712-0431 | 1 | S | Flange Lock Nut 3/8-16 |
| 5 | 710-0216 | 1 | /P | Hex Cap Screw 3/8-16 x .75 |
| 6 | 710-3144 | 1 | /P | Hex Cap Screw 3/8-16 x 2.0 |
| 7 | 712-3004A | 1 | /P | Flange Lock Nut 5/16-18 |
| 8 | 736-0258 | 1 | /P | Flat Washer .385 x 1.0 x .135 |
| 9 | 749-3062 | 1 | | Upper Bumper |
| 10 | 749-3061 | 1 | | Lower Bumper Tube |
| 11 | 736-0451 | 1 | S | Washer .320 ID x .93 OD |
| 12 | 703-3504 | 1 | S | Bumper Bracket |
| 13 | 710-1250 | 1 | /P | Carriage Bolt 5/16 x 1.5 |
| 14 | 710-0521 | 1 | /P | Hex Cap Screw 3/8-16 x 3.0 |
| 15 | 710-0859 | 1 | /P | Hex Cap Screw 3/8 - 16 x 2.5 |
| 16 | 719-3130 | 1 | | Counter Weight |
| 17 | 726-0298 | 1 | | End Cap |
| 18 | 603-0620A | 1 | S | Bumper Ass'y |
| 19 | 736-3004 | 1 | S | Flat Washer .406 ID x .875 OD |
| 20 | 712-0431 | 1 | S | Flange Lock Nut 3/8-16 |

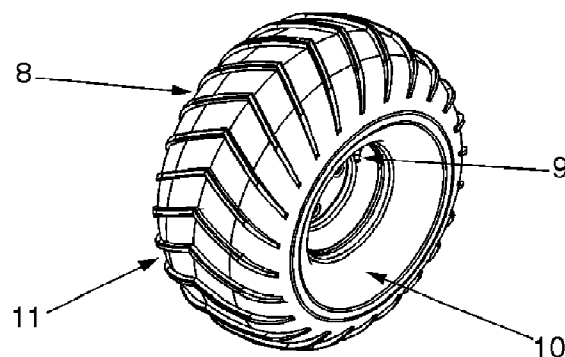
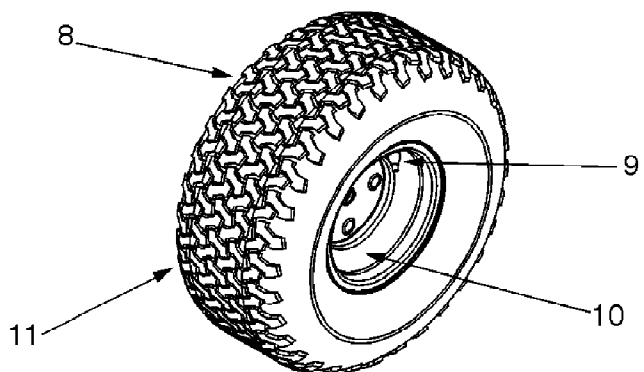
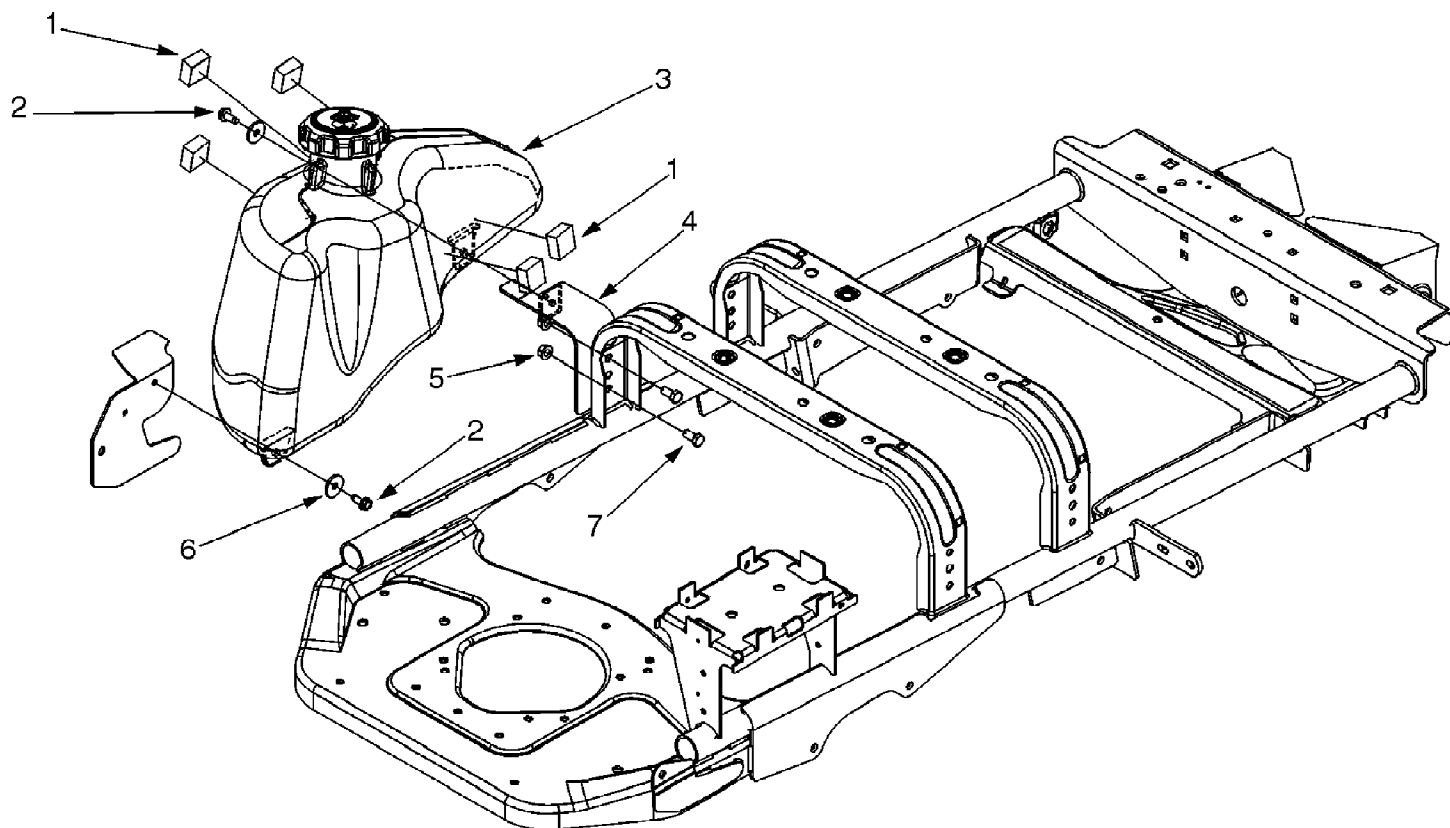


ZT-1850
Front Axle And Tire

Page 23 of 34

| Ref # | Part Number | Qty | S/P/F | Description |
|-------|-------------|-----|-------|---------------------------------|
| 1 | 712-3075 | 1 | /P | Hex Lock Nut, 1.0-14 |
| 2 | 736-0274 | 1 | S | Flat Washer |
| 3 | 603-0389A | 1 | | Pin Ass'y, Pivot |
| 4 | 737-3090 | 1 | S | Adapter, 1/8 NPTF x 1/8 NPTF |
| 5 | 737-3072 | 1 | | Grease Fitting, 65° w/Extension |
| 6 | 712-0431 | 1 | S | Hex Flange Lock Nut, 3/8-16 |
| 7 | 712-0229 | 1 | | Push Nut, 3/8 ID |
| 8 | 710-3178 | 1 | /P | Carriage Bolt, 3/8-16 x .75 |
| 9 | 710-0514 | 1 | /P | Hex Cap Screw, 3/8-16 x 1.0 |
| 10 | 736-0169 | 1 | S | Lock Washer 3/8 |
| 11 | 736-0227 | 1 | S | Flat Washer 3/8 x 1.5 |
| 12 | 731-0374 | 1 | S | Flange Bearing 1.0 ID |
| 13 | 737-0280 | 1 | S | Grease Fitting |
| 14 | 603-0363 | 1 | | Castor Wheel Bracket |
| 15 | 712-0239 | 1 | S | Hex Center Lock Nut 1/2-20 |
| 16 | 710-0506 | 1 | /P | Hex Cap Screw, 1/2-20 x 5.5 |
| 17 | 750-0456 | 1 | S | Spacer, .79 ID x .347 Lg |
| 18 | 634-3164 | 1 | | Wheel Comp 11.0 x 4.0 x 5.0 |
| 19 | 750-3197 | 1 | S | Wheel Spacer |
| 20 | 603-0382 | 1 | S | Front Axle Ass'y |

ZT-1850
Fuel Tank, Wheels, Rear

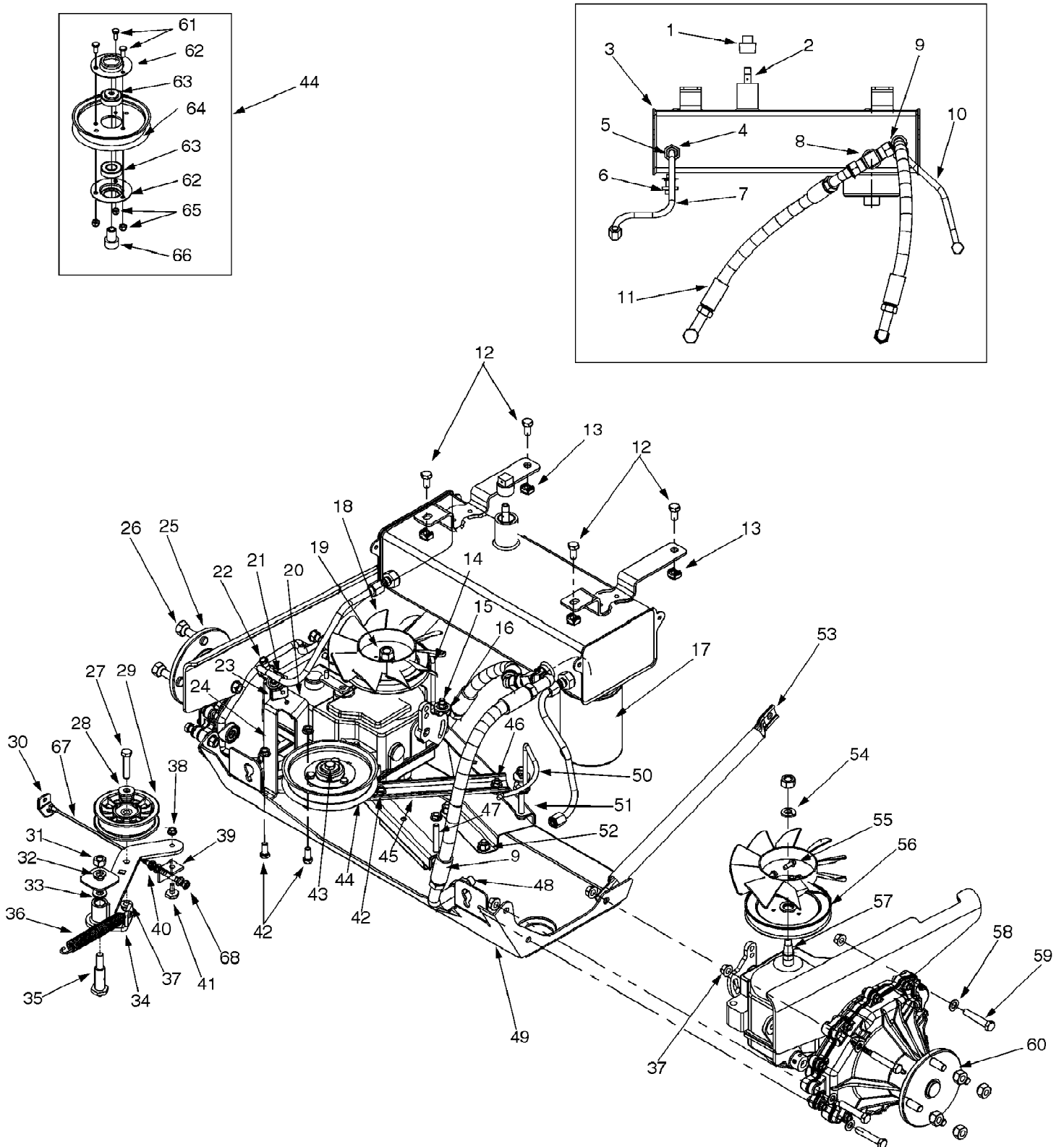


ZT-1850
Fuel Tank, Wheels, Rear

Page 25 of 34

| Ref # | Part Number | Qty | S/P/F | Description |
|-------|-------------|-----|-------|--------------------------------------------------------|
| 1 | 722-3020 | 1 | | Foam 1.25 x .62 |
| 2 | 710-1260A | 1 | /P | Hex Washer Screw 5/16-18.0 x .75 |
| 3 | 651-3004 | 1 | | Fuel Tank 4.0 gal |
| 4 | 703-3490 | 1 | | Fuel Tank Mounting Bracket |
| 5 | 712-0431 | 1 | S | Flange Lock Nut 3/8-16 |
| 6 | 736-0231 | 1 | S | Flat Washer .344 x 1.125 |
| 7 | 710-0216 | 1 | /P | Hex Cap Screw 3/8-16 x .75 |
| 8 | 734-1596 | 1 | | Tire 20 x 8 - 8 (For model ZT-1850) |
| | 734-3163 | 1 | | Tire 22 x 11-8 (For models ZT-2150 & ZT-2250) |
| 9 | 634-3005 | 1 | S | Rim Ass'y 8 x 6.19 (For model ZT-1850) |
| | 634-3030 | 1 | S | Rim Ass'y 8 x 6.19 (For models ZT-2150 & ZT-2250) |
| 10 | 734-0255 | 1 | S | Tubeless Air Valve |
| 11 | 634-3050 | 1 | S | Wheel Comp 20 x 8-8 (For model ZT-1850) |
| | 634-3051 | 1 | | Wheel Comp 22 x 11-8 RH (For models ZT-2150 & ZT-2250) |
| | 634-3052 | 1 | | Wheel Comp 22 x 11-8 LH (For models ZT-2150 & ZT-2250) |

ZT-1850
Hydraulic Drive, Lines And Filter



ZT-1850

Page 27 of 34

Hydraulic Drive, Lines And Filter

| Ref # | Part Number | Qty | S/P/F | Description |
|-------|-------------|-----|-------|-----------------------------------|
| 1 | 737-3069 | 1 | | Pipe Plug |
| 2 | 737-3070A | 1 | | Pipe Dipstick |
| 3 | 603-0639 | 1 | | Hydraulic Tank Assembly |
| 4 | 727-3116 | 1 | S | Connection Fitting |
| 5 | 721-0223 | 1 | S | Seal |
| 6 | 738-0940 | 1 | /P | Drain Plug |
| 7 | 727-3120 | 1 | | Inlet Tube LH |
| 8 | 727-3155 | 1 | | Tee Fitting |
| 9 | 727-3154 | 1 | | Outlet Hose RH |
| 10 | 727-3121 | 1 | | Inlet Tube RH |
| 11 | 727-3153 | 1 | | Outlet Hose LH |
| 12 | 710-0216 | 1 | /P | Hex Cap Screw 3/8-16 x .75 |
| 13 | 712-0455 | 1 | | Retainer Nut 3/8-16 |
| 14 | 747-3360 | 1 | S | Belt Retainer Rod RH |
| 15 | 710-0378 | 1 | /P | Hex Cap Screw 5/16-18 x 2.5 |
| 16 | 736-3089 | 1 | /P | Flat Washer 5/16 |
| 17 | 723-3071 | 1 | | Filter Element |
| 18 | 731-1449A | 1 | S | Fan Blade |
| 19 | 712-0333 | 1 | S | Hex Nut 1/2-20 |
| 20 | 703-3168 | 1 | | Mounting Pulley Bracket |
| 21 | 756-0625 | 1 | | Roller Cable |
| 22 | 738-0924 | 1 | S | Hex Shoulder Screw 1/4-28 x .375 |
| 23 | 703-3169 | 1 | | Retainer Cable Bracket |
| 24 | 712-0117 | 1 | S | Lock Nut 1/4-28 |
| 25 | 618-3165 | 1 | | Complete Transmission Assembly LH |
| 26 | 712-3050 | 1 | /P | Lug Nut |
| 27 | 710-0347 | 1 | /P | Hex Cap Screw 3/8-16 x 1.75 |
| 28 | 736-0256 | 1 | S | Flat Washer .385 ID x 1.0 OD |
| 29 | 756-0627 | 1 | S | Flat Idler Pulley 3.5 OD |
| 30 | 703-3174 | 1 | | Mounting Bracket Cable |
| 31 | 712-3019 | 1 | S | Hex Nut 7/16-14 |
| 32 | 736-0171 | 1 | S | Lock Washer 7/16 |
| 33 | 736-3015 | 1 | S | Flat Washer .469 ID x .875 OD |
| 34 | 603-0377A | 1 | S | Idler Arm Assembly |
| 35 | 603-0102 | 1 | | Shoulder Screw |
| 36 | 732-0478 | 1 | S | Extension Spring 6.12 Lg |
| 37 | 712-0431 | 1 | S | Flange Lock Nut 3/8-16 |
| 38 | 712-0138 | 1 | S | Hex Nut 1/4-26 |
| 39 | 736-0329 | 1 | S | Lock Washer 1/4 |
| 40 | 736-0342 | 1 | | Flat Washer .283 ID x .75 OD |
| 41 | 710-0428 | 1 | | Hex Cap Screw 1/4-28 x 1.25 |
| 42 | 710-3008 | 1 | /P | Hex Cap Screw 5/16-18 x .75 |
| 43 | 710-3011 | 1 | /P | Hex Cap Screw 3/8-16 x 2.25 |
| 44 | 603-0362 | 1 | S | Idler Pulley Assembly 5.0" |
| 45 | 703-2888 | 1 | S | Idler Bracket |
| 46 | 712-3004A | 1 | /P | Flange Lock Nut 5/16-18 |
| 47 | 710-3103 | 1 | /P | Hex Cap Screw 5/16-18 x 2.0 |
| 48 | 727-3100 | 1 | S | Connection Fitting 1/2 x 3/8 |
| 49 | 603-0358B | 1 | S | Skid Plate Assembly |
| 50 | 747-3361 | 1 | | Belt Rod LH |
| 51 | 603-0450 | 1 | S | Support Pump Assembly |
| 52 | 710-3178 | 1 | /P | Carriage Bolt 3/8-16 x .75 |
| 53 | 749-3040 | | | |

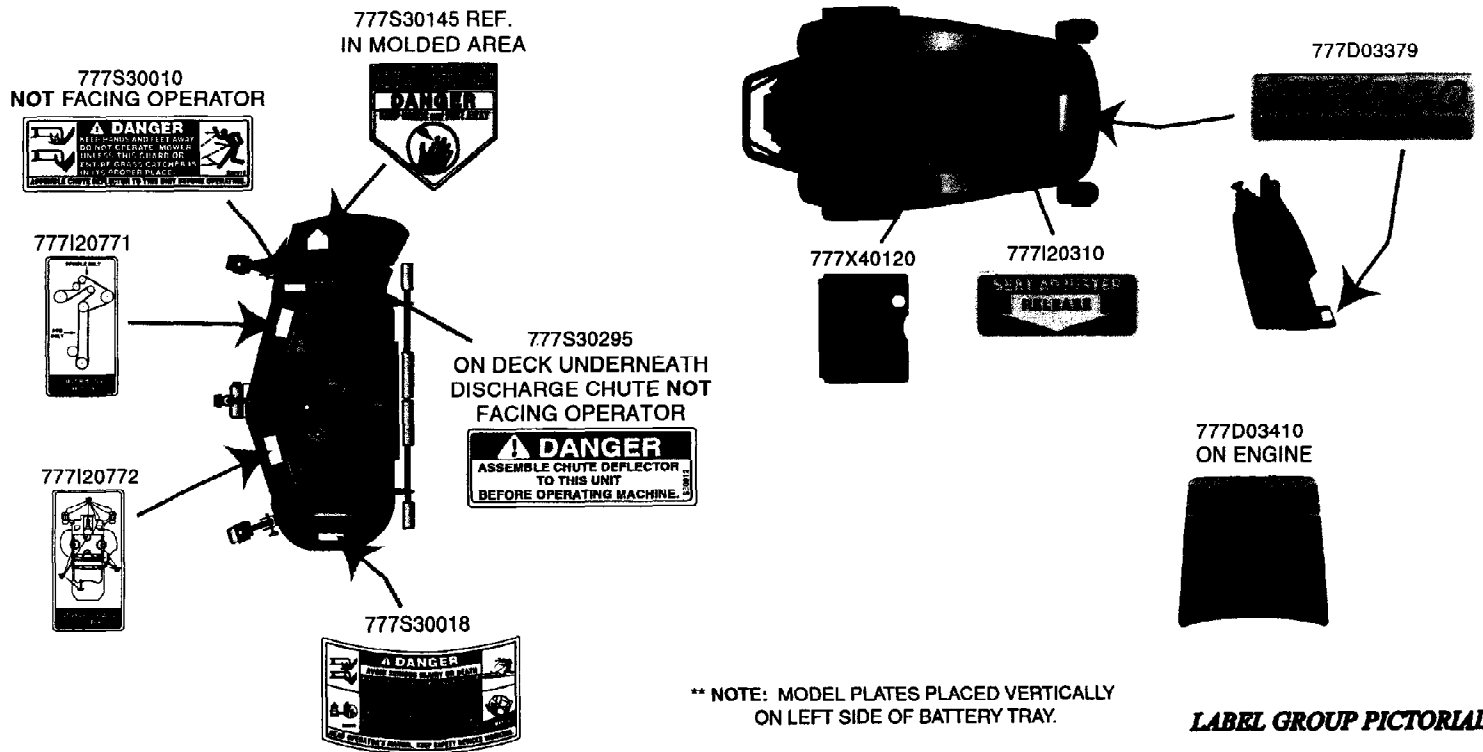
ZT-1850

Page 28 of 34

Hydraulic Drive, Lines And Filter

| Ref # | Part Number | Qty | S/P/F | Description |
|-------|-------------|-----|-------|----------------------------------|
| 54 | 736-0921 | 1 | S | Lock Washer 1/2 |
| 55 | 710-1189 | 1 | | Hex Washer Screw #12-24 x .625 |
| 56 | 756-0974 | 1 | /P | Transmission Pulley |
| 57 | 732-0729 | 1 | /P | Wire Ring |
| 58 | 736-0185 | 1 | S | Flat Washer |
| 59 | 710-3144 | 1 | /P | Hex Cap Screw 3/8-16 x 2.0 |
| 60 | 618-3164 | 1 | | Complete Tranmission Assembly RH |
| 61 | 710-0751 | 1 | /P | Hex Cap Screw 1/4-20 x .62 |
| 62 | 703-2907 | 1 | | Bearing Cup |
| 63 | 741-0600 | 1 | S | Ball Bearing |
| 64 | 756-3085 | 1 | | Idler Pulley 5.0" |
| 65 | 712-0324 | 1 | /P | Hex Lock Nut 1/4-20 |
| 66 | 750-3176 | 1 | | Idler Spacer |
| 67 | 746-3083 | 1 | | Declutching Cable |
| 68 | 712-3007 | 1 | /P | Jam Nut 5/16-18 |

ZT-1850
Labels



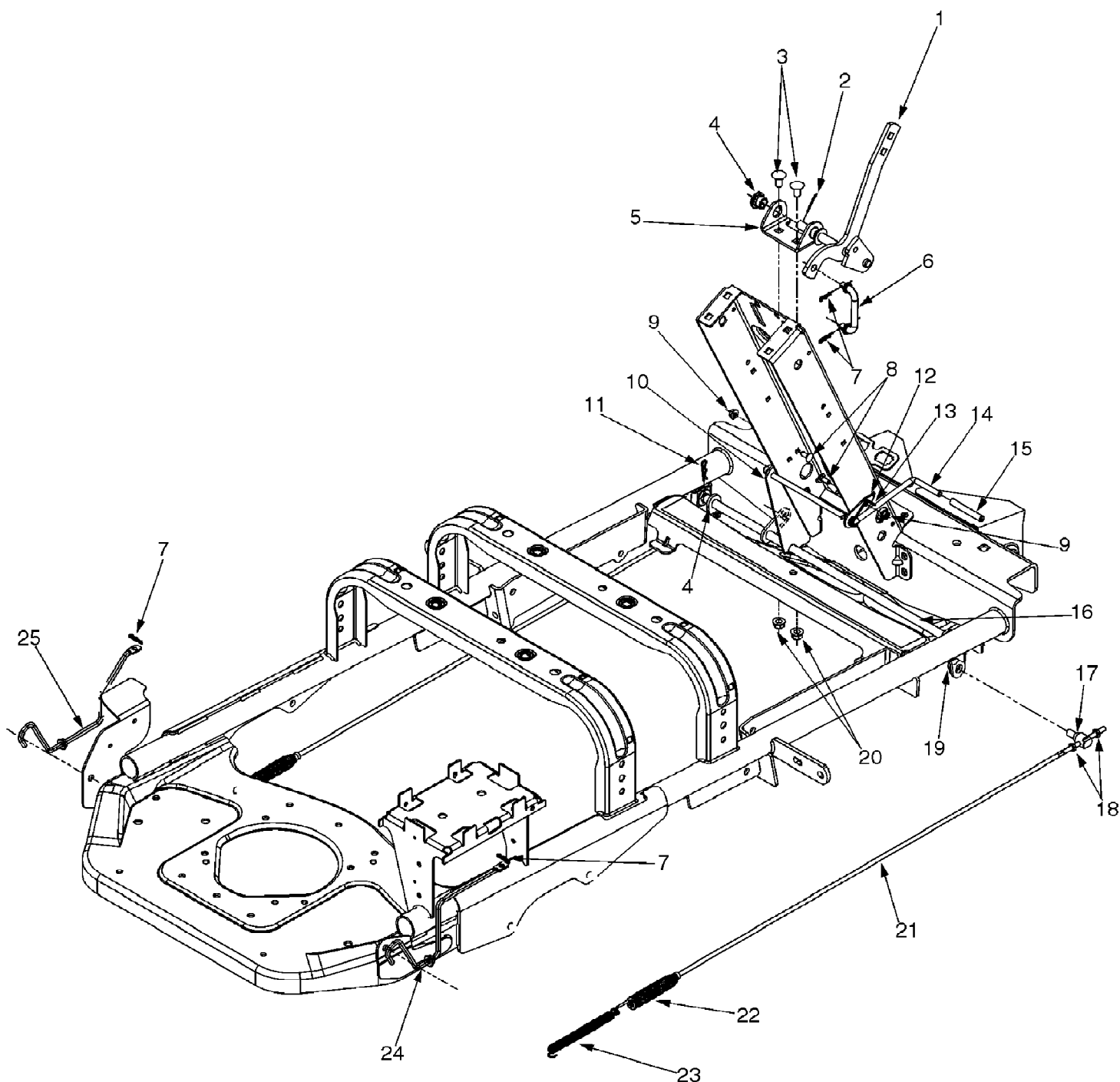
** NOTE: MODEL PLATES PLACED VERTICALLY
ON LEFT SIDE OF BATTERY TRAY.

LABEL GROUP PICTORIAL

ZT-1850
Labels

Page 30 of 34

| Ref # | Part Number | Qty | S/P/F | Description |
|-----------|-------------|-----|-------|----------------------------------------|
| 777S30010 | 777S30010 | 1 | S | USE 777S30503 LABEL-DANGER CH |
| 777S30145 | 777S30145 | 1 | S | USE 977S30145 LABEL |
| 777I20771 | 777I20771 | 1 | | No Longer Available LABEL-BELT GUIDE 4 |
| 777S30295 | 777S30295 | 1 | /P | LABEL-UNDER DECK C |
| 777I20772 | 777I20772 | 1 | | LABEL-LUBE GUIDE 4 |
| 777S30018 | 777S30018 | 1 | /P | LABEL-DECK SAFETY |
| 777X40120 | 777X40120 | 1 | | |
| 777I20310 | 777I20310 | 1 | | LABEL-SEAT ADJUSTE |
| 777D03379 | 777D03379 | 1 | | |
| 777D03410 | 777D03410 | 1 | | LABEL-18 HP B&S IN |



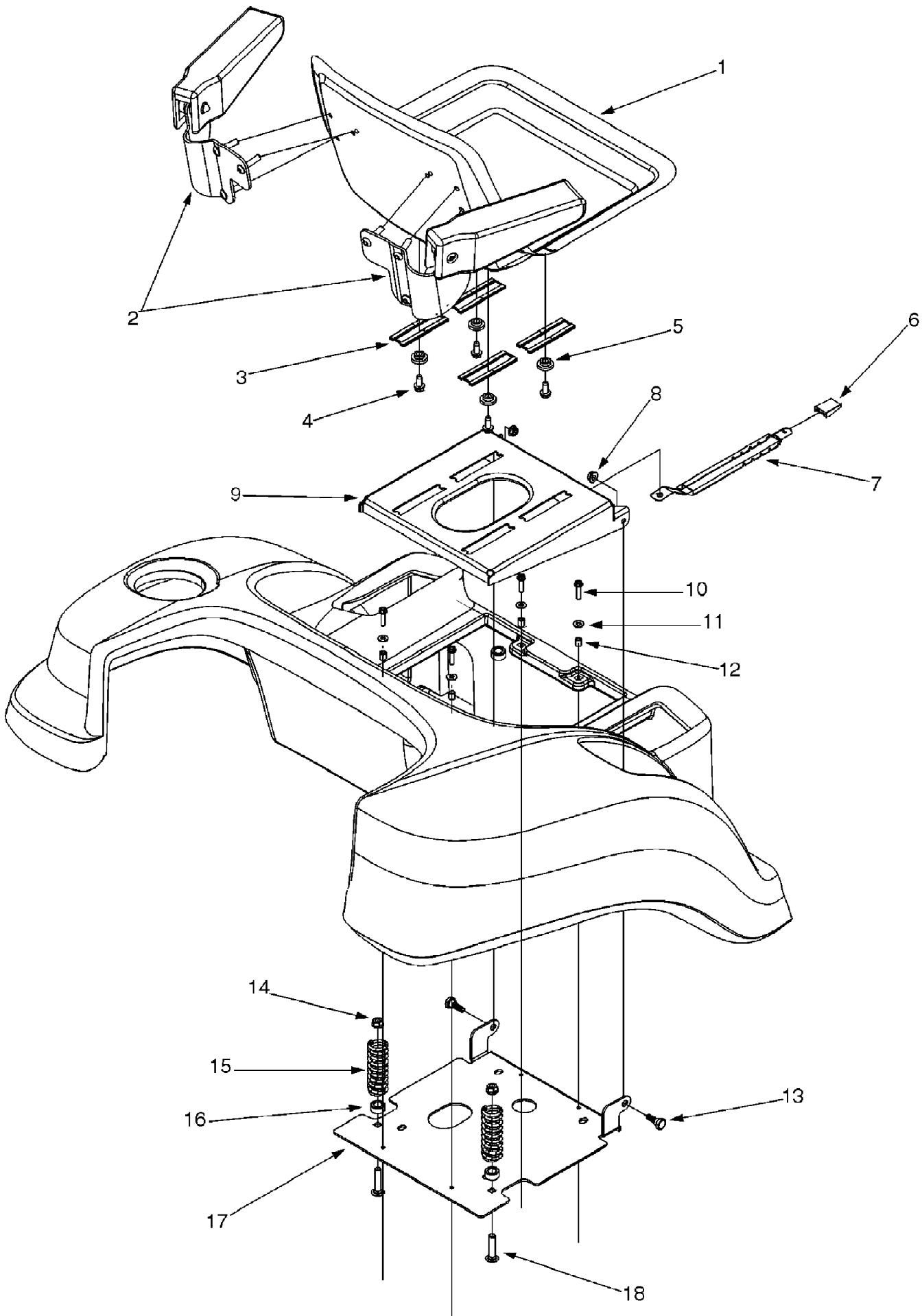
ZT-1850

Page 32 of 34

Parking Brake And Linkage

| Ref # | Part Number | Qty | S/P/F | Description |
|-------|-------------|-----|-------|-----------------------------------|
| 1 | 603-0649 | 1 | | Parking Brake Shift Ass'y |
| 2 | 714-3004 | 1 | | Cotter Pin |
| 3 | 710-3178 | 1 | /P | Carriage Bolt 3/8-16 x .75 |
| 4 | 741-0324 | 1 | S | Hex Flange Bearing .506 ID x .590 |
| 5 | 703-3400 | 1 | | Brake Mounting Bracket |
| 6 | 747-3404 | 1 | | Connecting Brake Rod |
| 7 | 714-0104 | 1 | S | Cotter Pin |
| 8 | 710-0134 | 1 | /P | Carriage Screw 1/4-20 x .62 |
| 9 | 712-3027 | 1 | S | Hex Flange Lock Nut 1/4-20 |
| 10 | 703-3405 | 1 | | Support Plate |
| 11 | 714-0101 | 1 | S | Cotter Pin |
| 12 | 703-2857 | 1 | | Retaining Rod Bracket |
| 13 | 732-0827 | 1 | | Torsion Spring 5/16 |
| 14 | 747-3397 | 1 | | Parking Brake Retaining Rod |
| 15 | 735-0664 | 1 | | Parking Brake Pad |
| 16 | 603-0683 | 1 | | Brake Rod Ass'y |
| 17 | 711-3357 | 1 | S | Ferrule |
| 18 | 712-0314 | 1 | | Jam Nut 1/4-28 |
| 19 | 736-0258 | 1 | /P | Flat Washer .385 ID x 1.0 OD |
| 20 | 712-0431 | 1 | S | Flange Lock Nut 3/8-16 |
| 21 | 747-3266A | 1 | /P | Bracket Rod |
| 22 | 732-0463 | 1 | S | Extension Spring |
| 23 | 732-0800 | 1 | | Extension Spring |
| 24 | 747-3284 | 1 | | Release Pump Rod RH |
| 25 | 747-3363 | 1 | | Release Pump Rod LH |

ZT-1850
Seat Assembly



ZT-1850
Seat Assembly

Page 34 of 34

| Ref # | Part Number | Qty | S/P/F | Description |
|-------|-------------|-----|-------|----------------------------------|
| 1 | 757-0375B | 1 | S | Seat Ass'y |
| 2 | 757-3009 | 1 | F | Seat Arm Ass'y |
| 3 | 731-3154 | 1 | | Seat Slide |
| 4 | 710-1260A | 1 | /P | Hex Washer Screw 5/16-16 x .750 |
| 5 | 738-0372 | 1 | S | Shoulder Spacer |
| 6 | 720-0190 | 1 | S | Height Adjuster Knob |
| 7 | 732-3098 | 1 | | Spring Index |
| 8 | 712-3004A | 1 | /P | Flange Lock Nut 5/16-18 |
| 9 | 603-0294 | 1 | S | Seat Base Bracket Ass'y |
| 10 | 710-0786 | 1 | /P | Hex Washer Screw 1/4-20 x 1.0 |
| 11 | 736-0463 | 1 | S | Flat Washer .25 x .630 |
| 12 | 750-3274 | 1 | | Spacer |
| 13 | 738-0296 | 1 | S | Shoulder Screw |
| 14 | 712-3005 | 1 | S | Flange Lock Nut 3/8-16 |
| 15 | 732-3080 | 1 | S | Compression Spring |
| 16 | 750-0664 | 1 | | Spacer |
| 17 | 603-0730 | 1 | S | Seat Plate Ass'y |
| 18 | 710-0560 | 1 | /P | Hex Carriage Screw 3/8-16 x 1.75 |