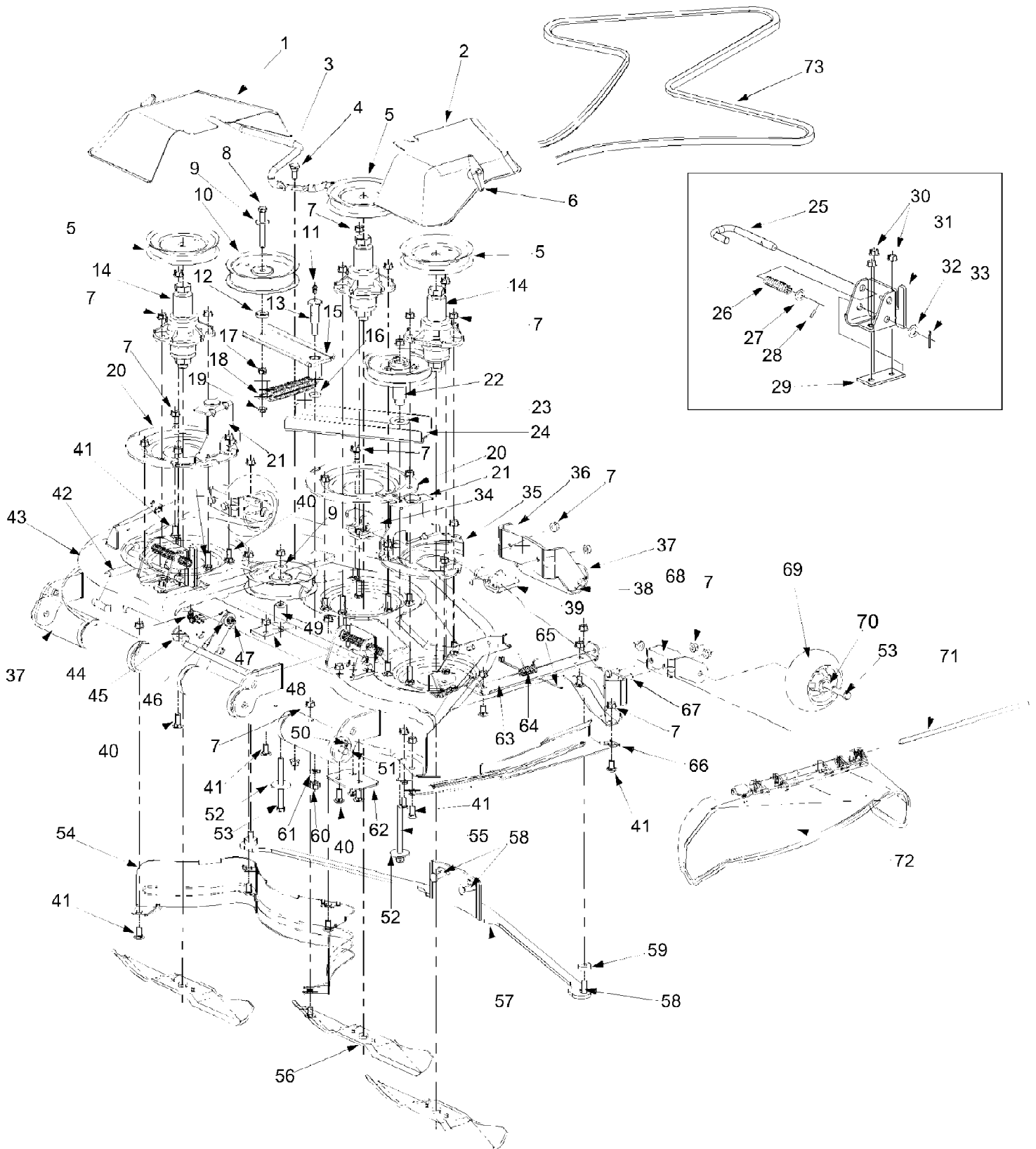


Z-200 (1999)  
48 inch Mulching Kit

Page 2 of 39

Ref #	Part Number	Qty	S/P/F	Description
1	603-0395	1	S	Baffle Ass'y, 48" Mulching
2	603-0439	1	/P	Bracket Ass'y, Rubber Flap/Mtg LN
3	603-0440	1	/P	Bracket Ass'y, Rubber Flap/Mtg RH
4	710-0520	1	/P	Screw, Hex Cap, 3/8-16 x 1.5 GR5
5	710-0751	2	/P	Screw, Hex Cap, 1/4-20 x .62 GR5
6	710-3011	2	/P	Screw, Hex Cap, 3/8-16 x 2.25 GR
7	710-3037	3	S	Screw, Hex Cap, 3/8-16 x 1.75
8	710-3168	3	/P	Bolt, Carriage, 3/8-16 x 1.0 GR5
9	712-0431	1	S	Nut, Hex Flange Lock, 3/8-16
10	712-3027	2	S	Nut, Hex Flange Lock, 1/4-20
11	736-3052	4	/P	Washer, Flat, .406 X 1.0 X .105
12	742-3028	3	S	Blade, Mulching, 16.5 Lg

Z-200 (1999)  
48" Deck Assembly



Z-200 (1999)  
48" Deck Assembly

Page 4 of 39

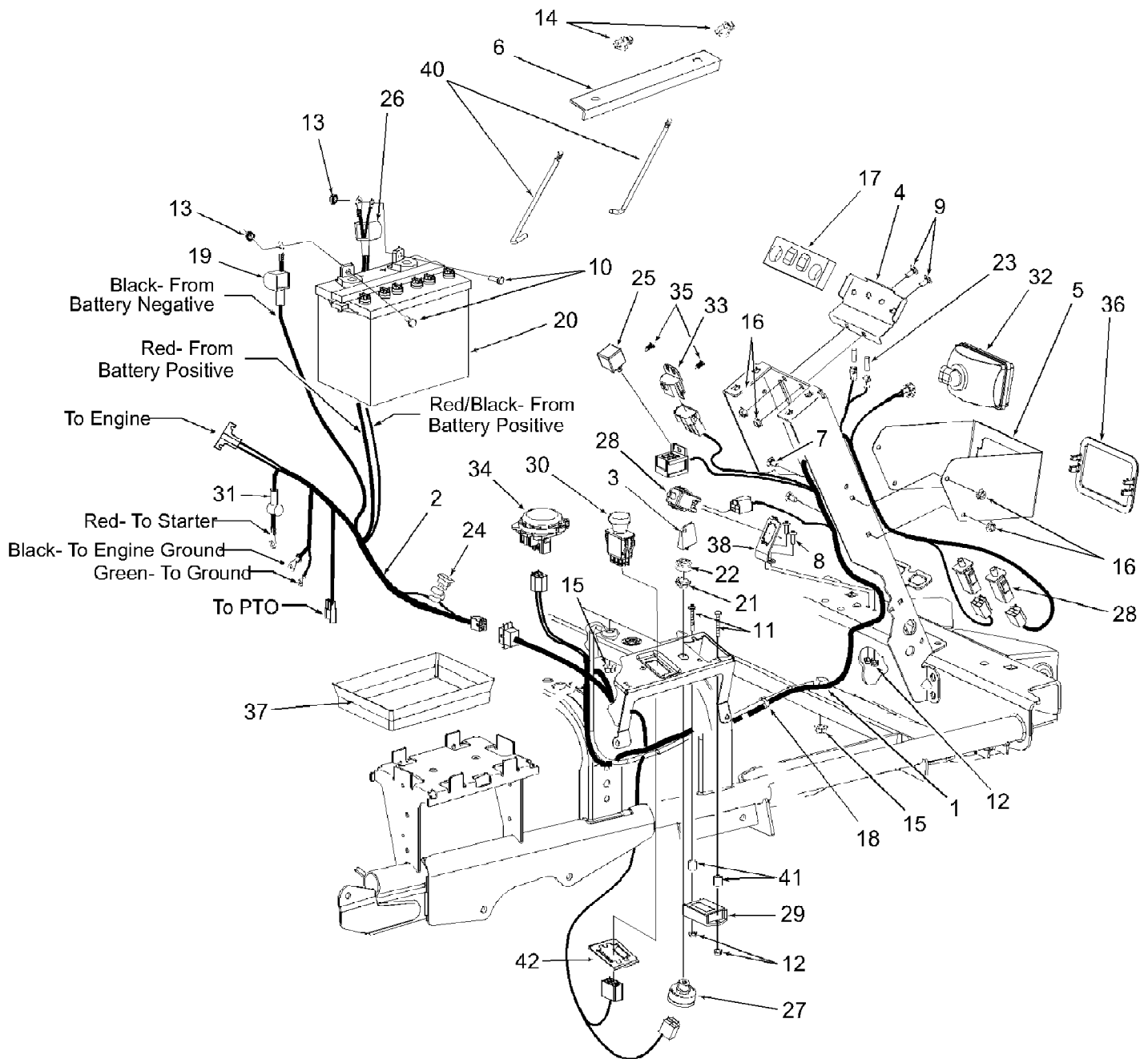
Ref #	Part Number	Qty	S/P/F	Description
1	703-2817	1		LH Belt Cover
2	703-2816	1		RH Belt Cover
3	747-3306	1		Idler Spring Mounting Rod
4	738-0380	1	S	Shoulder Screw 3/8-16
5	756-3106	1		Pulley
6	720-0241	1	S	Wingnut Knob
7	712-0431	1	S	Flange Lock Nut 3/8-16
8	710-0521	1	/P	Hex Cap Screw 3/8-16 x 3.0
9	736-0258	1	/P	Flat Washer .385 ID x 1.0 OD
10	756-3105	1		Idler Pulley 5.0
11	737-0280	1	S	Grease Fitting
12	711-0242	1	S	Spacer
13	738-3108	1	/P	Shoulder Bolt
14	603-0690	1		Spindle Ass'y
15	603-0469A	1	S	Idler Bearing Arm Ass'y
16	736-3015	1	S	Flat Washer .469 ID x.875 OD
17	712-0375	1	/P	Lock Nut 3/8-16
18	732-0942	1		Extension Spring 1.0 OD x 5.78 Lg
19	712-0342	1	/P	Jam Nut 3/8-16
20	703-2089A	1	S	Reinforcement Disk
21	603-0326	1		Belt Cover Bracket Ass'y
22	603-0407	1		Idler Pulley Ass'y 5.0
23	736-0316	1	S	Flat Washer .78 ID x 1.59 OD
24	703-2849	1	S	Channel
25	747-3013	1		Mower Support Pin
26	732-0802	1		Compression Spring
27	736-0160	1	S	Flat Washer .536 ID X .93 OD
28	715-3003	1		Spirol Spring Pin
29	703-2683	1	S	Rear Deck Hanger Bracket Spacer
30	712-0431	1	S	Hex Flange Lock Nut 3/8-16
31	603-0351	1		Rear Hanger Bracket LH
32	736-0160	1	S	Flat Washer .536 ID x .93 OD
33	714-0115	1	S	Cotter Pin
34	703-2767	1		Front End Deck Bracket LH
35	703-2090	1		Reinforcement Disk RH
36	703-2091A	1		Front Roller Bracket
37	731-3005	1	/P	Front Roller
38	714-0115	1	S	Cotter Pin
39	703-2430	1		Front End Deck Bracket RH
40	710-3168	1	/P	Carriage Bolt 3/8-16
41	710-3178	1	/P	Carriage Bolt 3/8-16 x .75
42	747-3297A	1	/P	Support Deck Rod
43	603-0348	1		Mower Deck Ass'y 48"
44	732-0395	1	S	Extension Spring .50 OD x 2.51 Lg
45	703-2929	1	S	Support Deck Link
46	736-0231	1	S	Flat Washer .344 ID x 1.125 OD
47	731-3005	1	/P	Front Roller
48	703-3381	1		Idler Support Plate
49	750-3243	1		Spacer .380 ID x 1.0 OD
50	714-0115	1	S	Cotter Pin
51	711-1103	1		Roller Pin
52	736-0227	1	S	Flat Washer
53	710-0944	1		Spacer 3/8-16 x 4.25

Z-200 (1999)  
48" Deck Assembly

Page 5 of 39

Ref #	Part Number	Qty	S/P/F	Description
54	703-2161	1	S	Deck Baffle
55	710-0693	1	/P	Hex Cap Screw 3/8-16 x 4.5
56	759-3826	1	/P	Mower Blade
57	603-0154	1		Front Bar
58	710-3034	1	/P	Carriage Screw 3/8-16 x 1.25
59	750-3119	1	/P	Spacer .406 ID x 1.0 OD
60	712-3019	1	S	Hex Nut 7/16-14
61	736-0171	1	S	Lock Washer 7/16
62	703-2988	1	S	Support Plate
63	703-2392	1	S	Bracket
64	732-3070	1	S	Torsion Spring
65	725-0157	1	/P	Cable Tie
66	603-0150	1		Finger Guard
67	710-3001	1	/P	Hex Cap Screw 3/8-16 x .880
68	703-2410	1		Castor Bracket
69	634-3159	1	/P	Wheel Complete
70	750-3193	1	/P	Spacer
71	711-3318	1	/P	Hinge Pin
72	731-3131	1	S	Deflector Chute
73	754-3079	1	S	V-Belt

Z-200 (1999)  
Battery, Electric Components And Switches

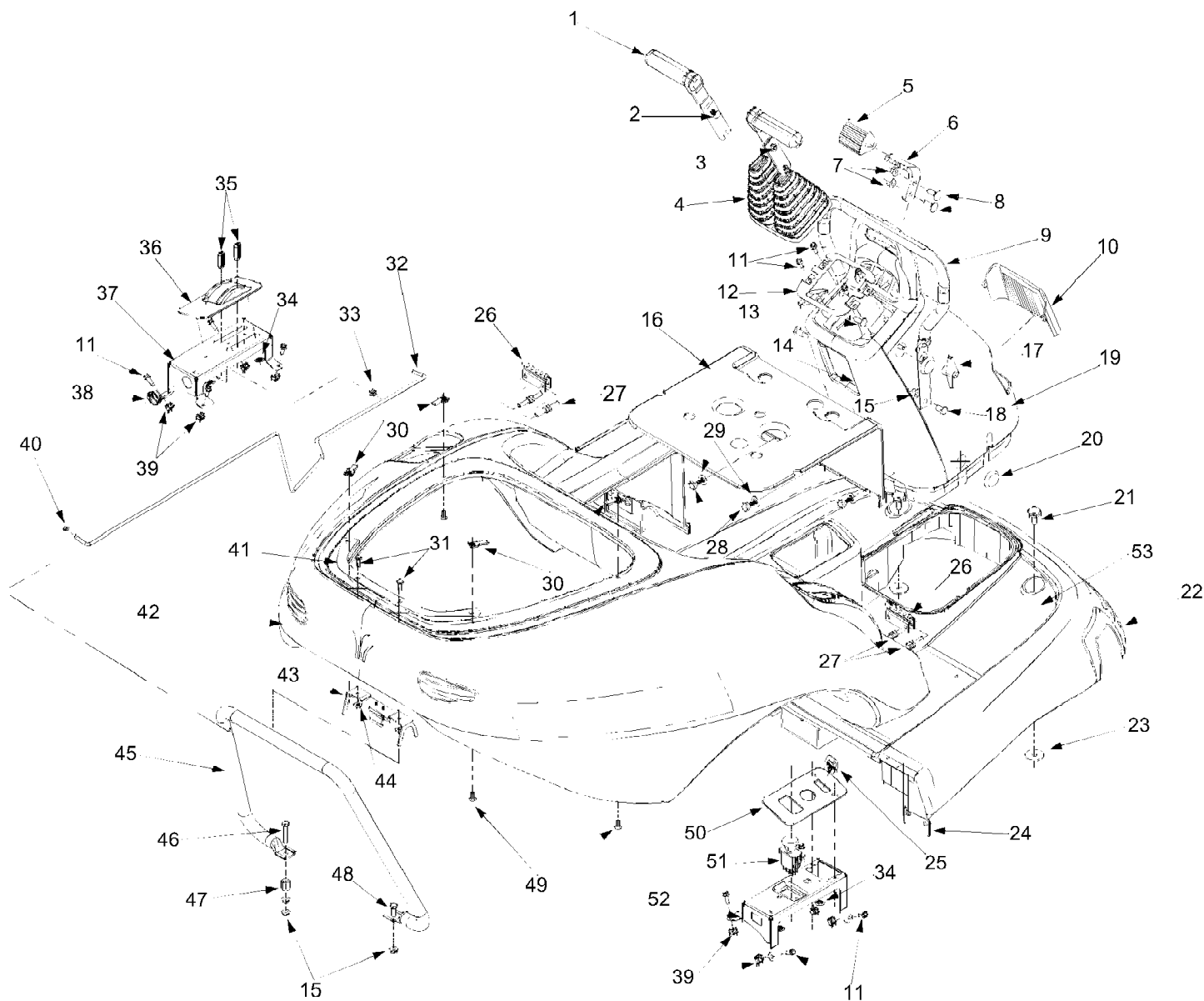


Z-200 (1999)

Page 7 of 39

## Battery, Electric Components And Switches

Ref #	Part Number	Qty	S/P/F	Description
1	629-3033	1		Main Wire Harness
2	629-3036	1		Engine Wire Harness Inc. 19, 24, 26 & 31
3	703-1345A	1		Ignition Key
4	703-2809	1	S	Indicator Bulb Mounting Bracket
5	703-2836	1		Headlight Mounting Bracket
6	703-3149	1	S	Battery Retainer Strip
7	710-0134	1	/P	Carriage Bolt 1/4-20 x .62
8	710-0425	1	/P	Machine Screw #10-24 x 5/8
9	710-3013	1	/P	Hex Cap Screw 1/4-20 x .50
10	710-3015	1	/P	Hex Cap Screw 1/4-20 x .75
11	710-3143	1	/P	Pan Head Cutting Screw #10-24
12	712-0161	1	/P	Hex Insert Lock Nut #10-24
13	712-0271	1	/P	Hex Sems Nut 1/4-20
14	712-0397	1	S	Nylon Wing Nut 1/4-20
15	712-0431	1	S	Hex Flange Lock Nut 3/8-16
16	712-3027	1	S	Hex Flange Lock Nut 1/4-20
17	723-0455	1		Indicator Light Foam Protector
18	725-0157	1	/P	Cable Tie
19	725-0340	1		Battery Terminal Cover - Black
20	725-1722	1	S	Battery
21	725-1346	1	S	Ignition Switch Nut 5/8-32
22	725-1347	1	/P	Ignition Switch Cap
23	725-1365	1	S	Indicator Bulb
24	725-1656	1		Mini 20 Amp Fuse
25	725-1718	1	S	Relay
26	725-3007A	1	/P	Battery Terminal Cover - Red
27	725-3163	1	S	Ignition Switch
28	725-3164A	1	S	Plunger Safety Switch
29	725-3229	1		Hourmeter/Tachometer
30	725-3233	1	S	PTO Switch
31	725-3237	1		Terminal Cover - Red
32	725-3250	1	S	Headlight Ass'y
	759-3864	1	S	Headlight Bulb
33	725-3251	1	S	Voltage Sensor
34	725-3253	1	S	Seat Switch
35	726-0349	1	S	Ratcheet Retainer
36	731-3184	1		Headlight Bezel
37	731-3233	1		Battery Tray
38	732-0816	1		Switch Mounting Spring
40	747-3347	1		Battery Retainer Rod
41	750-0539	1	S	Spacer
42	783-0462	1	/P	PTO Switch Retainer Bracket





Z-200 (1999)  
Body Cover Panels

Page 9 of 39

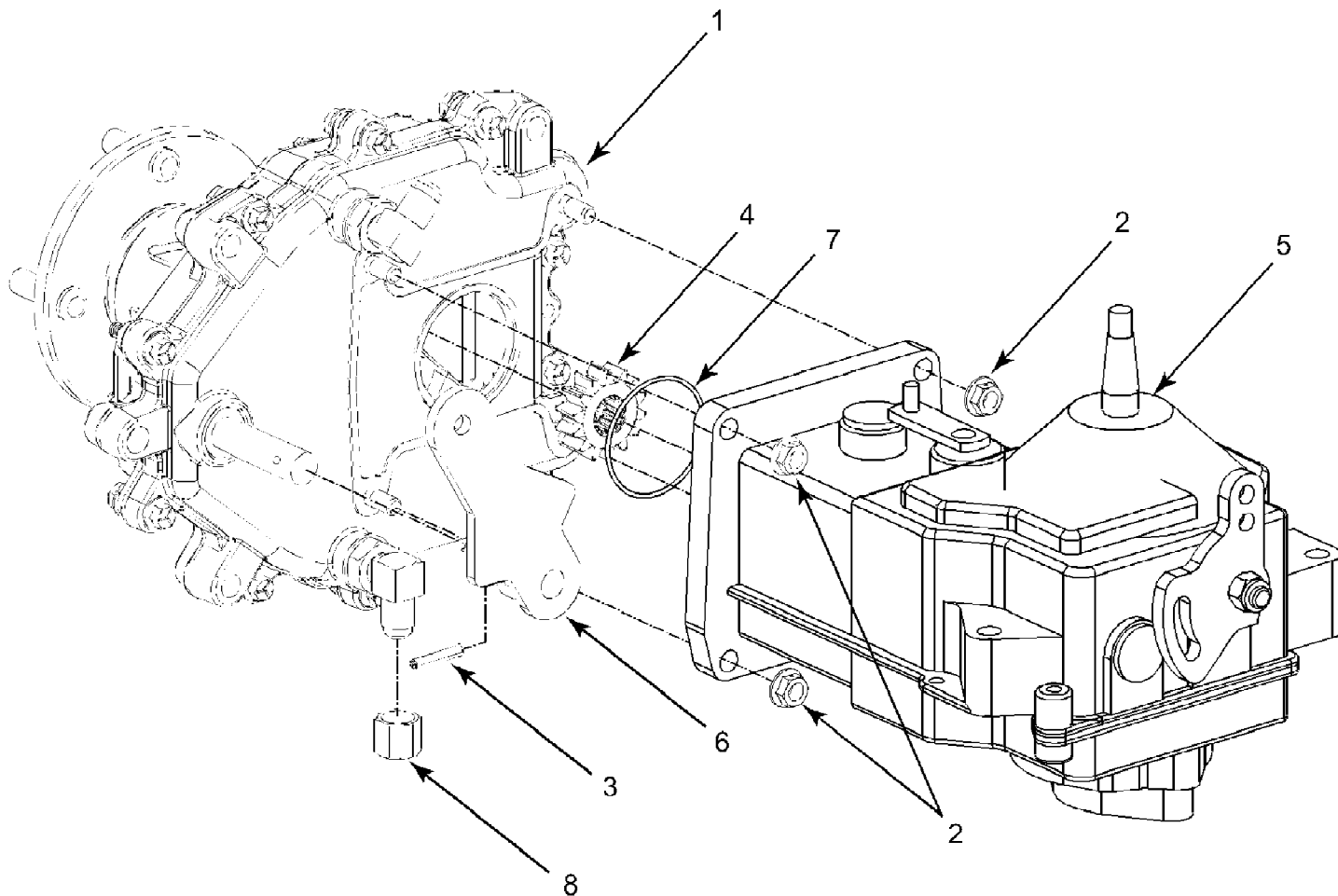
Ref #	Part Number	Qty	S/P/F	Description
1	731-3263	1	S	Control Handle
2	710-0451	1	/P	Carriage Bolt 5/16-18 x .75
3	712-3004A	1	/P	Flange Lock Nut 5/16-18
4	731-3185	1		Control Bellow
5	735-0251	1		Foot Pad
6	703-2807B	1	S	Foot Pad Mounting Bracket
7	712-0431	1	S	Flange Lock Nut 3/8-16
8	710-3168	1	/P	Carriage Bolt 3/8-16
9	749-3081	1		Cruise Control Tube
10	731-3128A	1		Lens
11	710-0642	1	/P	Hex Washer Screw 1/4-20 x .75
12	703-2648	1		Bellow Retainer Bracket
13	710-0276	1	/P	Carriage Screw 5/16-18 x 1.0
14	703-3288	1	S	Control Tube Mounting Bracket
15	712-3004A	1	/P	Flange Lock Nut 5/16-18
16	731-3265	1		Seatbase Cover
17	720-0241	1	S	Wingnut Knob Assembly 5/16-18
18	738-0754	1		Shoulder Screw
19	731-3283	1		Console
20	726-0289	1		Plug
21	738-3163A	1	/P	Shoulder Screw 3/8-16 x .75
22	731-3285	1		Body
23	736-3039	1	S	Flat Washer .406 ID x 1.5 OD
24	603-0578	1		Body Plate Assembly
25	703-1341B	1		Key
26	703-2928	1		Body Hinge
27	710-0376	1	/P	Hex Cap Screw 5/16-18 x 1.0
28	738-0296	1	S	Shoulder Screw
29	736-0226	1	S	Flat Washer .474 ID x .879 OD
30	712-0185	1		U-Type Nut 1/4-20
31	710-3015	1	/P	Hex Cap Screw 1/4-20 x .75
32	747-3303	1		Support Rod
33	732-0830	1	S	Clip
34	726-3047	1	S	Push Nut
35	720-0303	1		Lever Knob
36	731-0056A	1		Control Panel Cover - LH
37	603-0424	1	S	Control Panel Assembly - LH
38	723-3042	1		Snap Bushing
39	712-0453	1		Retainer Nut 1/4-20
40	726-0106	1	S	Cap Nut
41	703-3078	1	S	Latch Mounting Plate
42	731-0052	1		Rear Body
43	603-0643	1		Clip Spring Bracket Assembly
44	712-3027	1	S	Lock Nut 1/4-20
45	749-3082	1	S	Engine Tube Support
46	710-3180	1	/P	Hex Cap Screw 5/16-18 x 1.75
47	750-3200	1		Spacer
48	710-3078	1		Hex Cap Screw 5/16-18 x 1.0
49	710-0946	1	/P	Screw 1/4-20 x .625
50	731-0057	1		Cover Panel - RH
51	725-1716	1	S	Electric Switch PTO
52	603-0425	1		Control Panel Assembly - RH
53	735-0259	1		Foot Pad

Z-200 (1999)  
Body Cover Panels

---

Ref #	Part Number	Qty	S/P/F	Description
	735-0260	1		Floor Pad RH

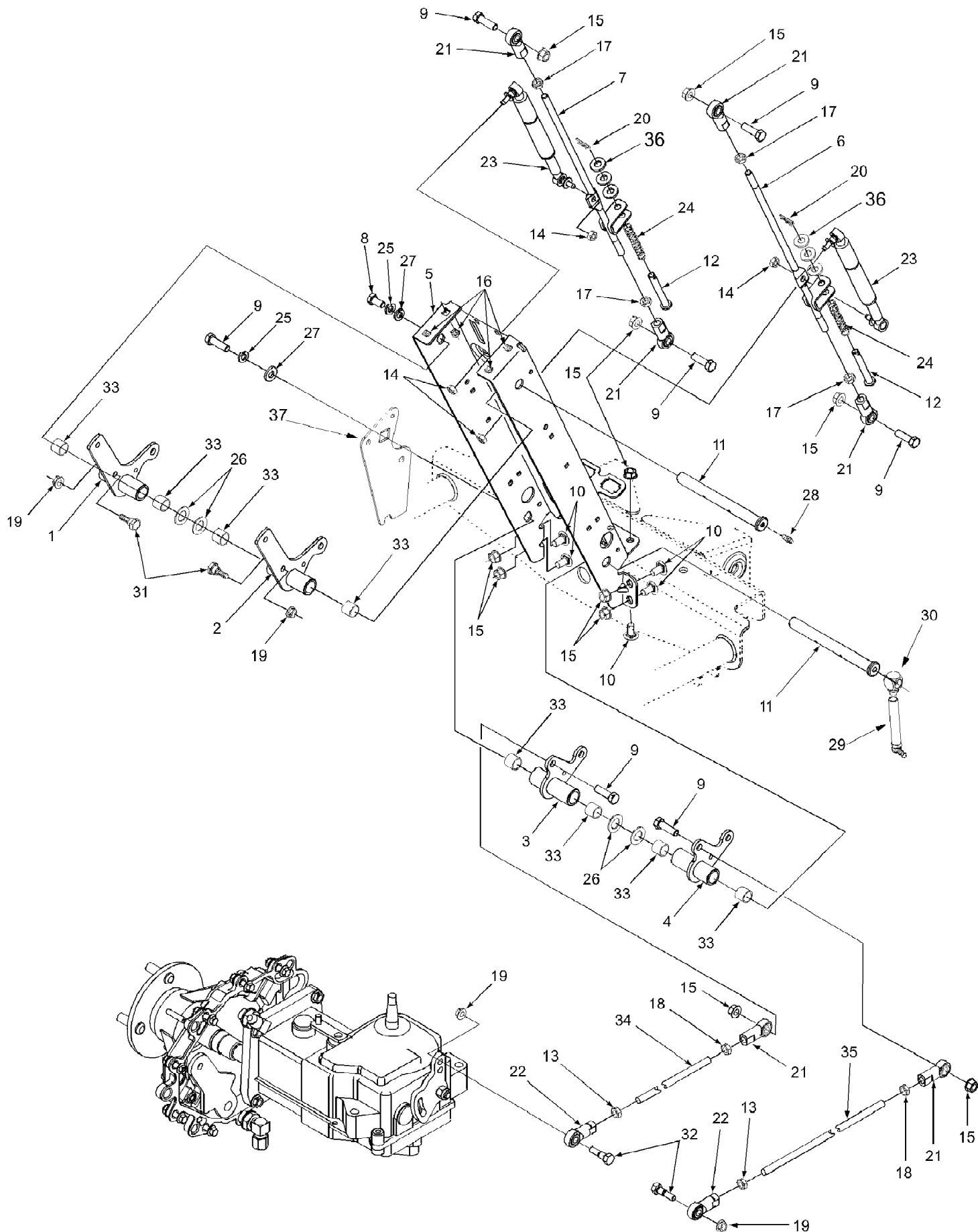
---



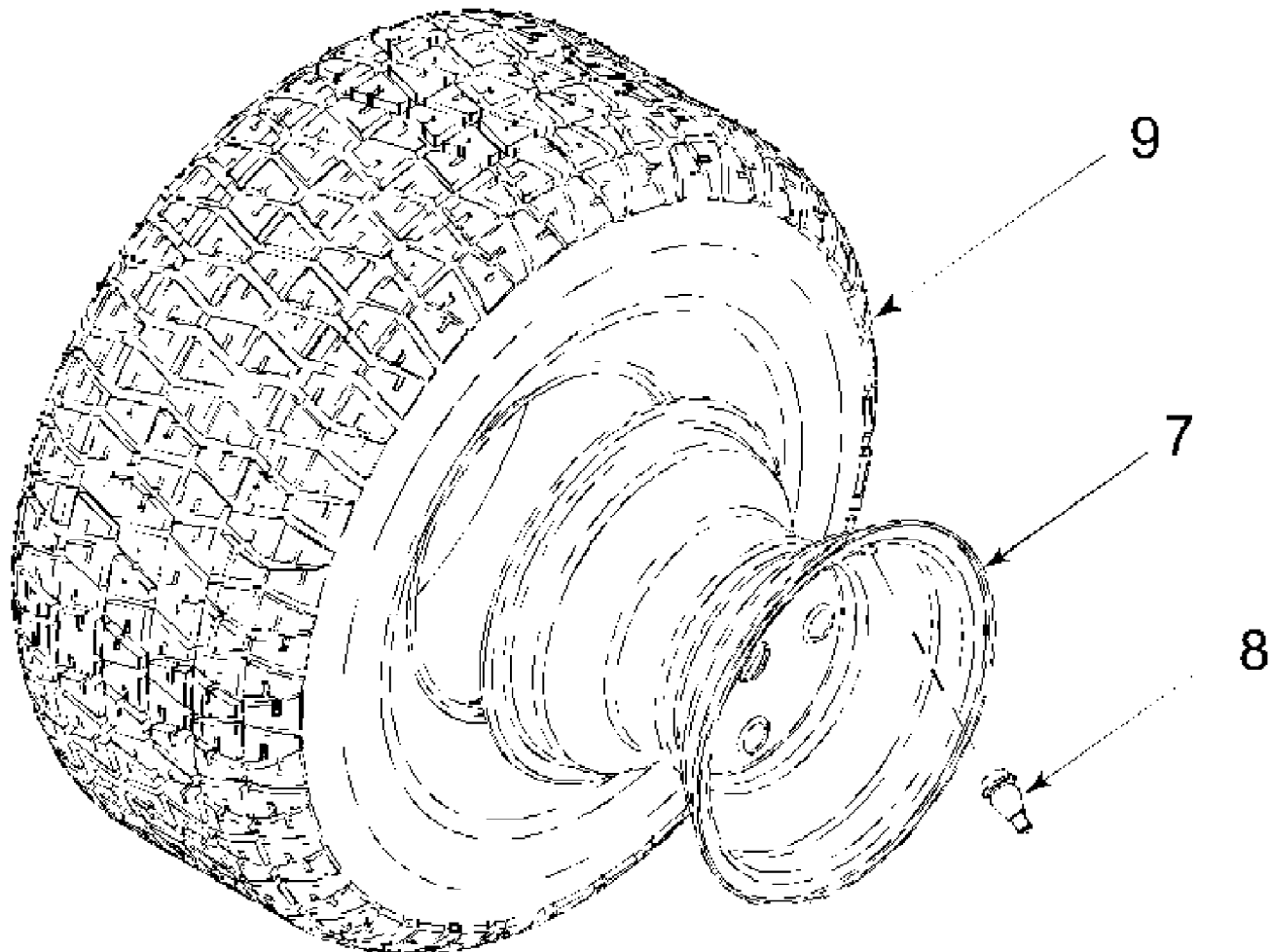
Z-200 (1999)  
Complete Transmission Assembly

Page 12 of 39

Ref #	Part Number	Qty	S/P/F	Description
1	618-3110A	1	S	Drive Ass'y Complete
2	712-3004A	1	/P	Hex Flange Lock Nut 5/16-18
3	715-0136	1	S	Spirol Pin 3/16 x 1.25
4	717-3396	1	S	Spur Gear 14T
5	717-3455	1	S	Hydro Transmission
6	718-3053	1		Parking Brake Lever
7	721-0343	1		O-Ring 2.0 Dia.
8	727-3125	1	S	Cap Nut 3/8



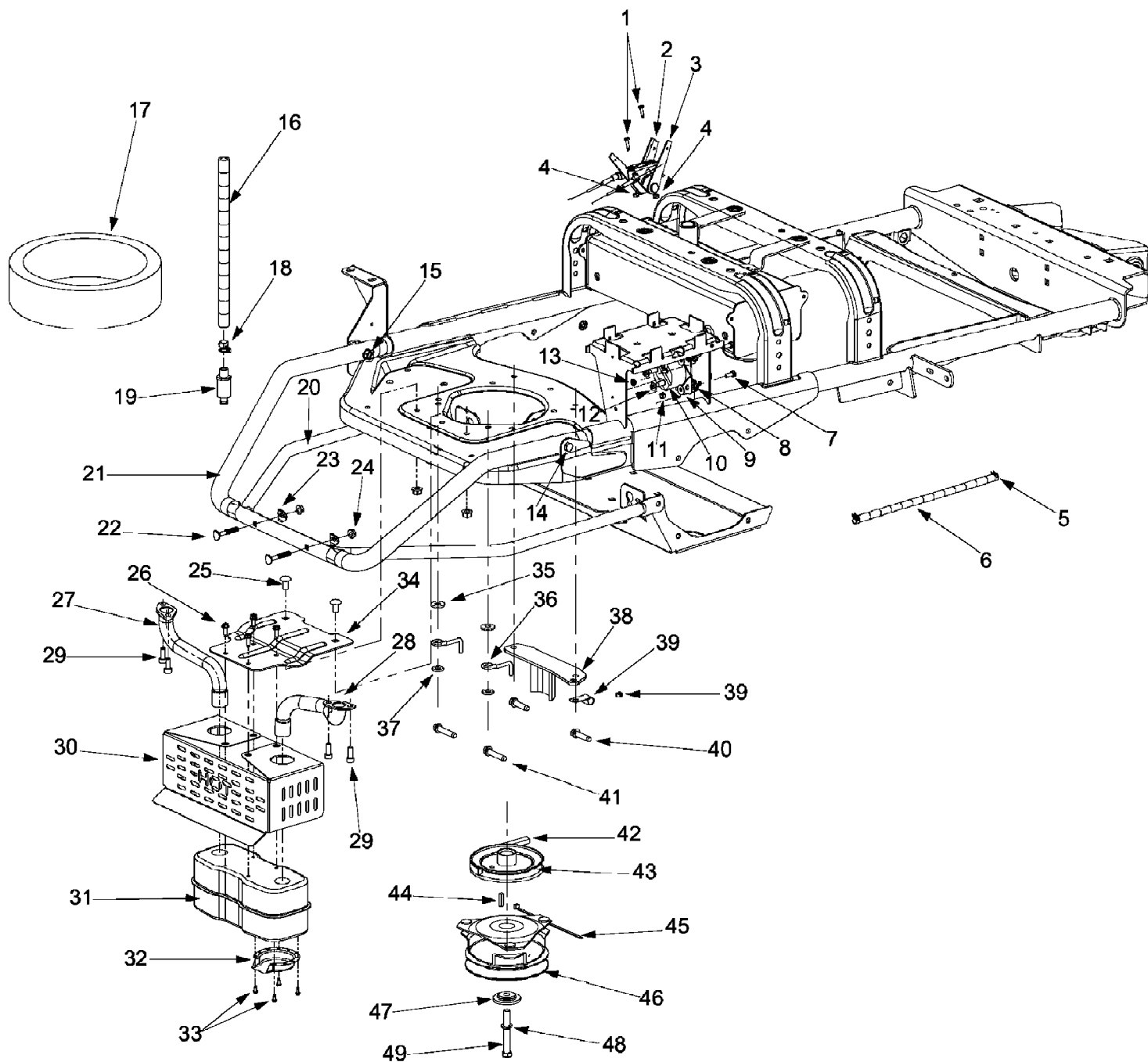
Ref #	Part Number	Qty	S/P/F	Description
1	603-0340	1	S	Bellcrank Ass'y Upper LH
2	603-0341	1	S	Bellcrank Ass'y Upper RH
3	603-0342	1	S	Bellcrank Ass'y Lower LH
4	603-0343	1	S	Bellcrank Ass'y Lower RH
5	603-0647	1	S	Support Ass'y Tower
6	603-0410	1		Rod Ass'y Control RH
7	603-0411	1		Rod Ass'y Control LH
8	710-0216	1	/P	Hex Cap Screw 3/8-16 x .75
9	710-3005	1	/P	Hex Cap Screw 3/8-16 x 1.25
10	710-3178	1	/P	Carriage Bolt 3/8-16 x .75
11	711-1111	1		Control Shaft
12	711-1124	1		Pin
13	712-0312	1	S	Hex Jam Nut LH 3/8-24
14	712-0365	1		Hex Center Lock Nut
15	712-0431	1	S	Hex Flange Lock Nut 3/8-16
16	712-0453	1		Retainer 1/4-20
17	712-0711	1	/P	Hex Jam Nut 3/8-24
18	712-3001	1	S	Hex Jam Nut 3/8-24
19	712-3004A	1	/P	Hex Flange Lock Nut 5/16-18
20	714-0104	1	S	Cotter Pin
21	723-0420	1	S	Spherical Rod End RH 3/8-24
22	723-0421	1	S	Spherical Rod End LH 3/8-24
23	727-3113	1		Damper Cylinder
24	732-3084	1		Spring Compression
25	736-0169	1	S	Lock Washer 3/8
26	736-0539	1		Thrust Washer .625 ID x 1.12 OD
27	736-3004	1	S	Flat Washer .406 ID x .875 OD
28	737-0280	1	S	Grease Fitting
29	737-3072	1		Grease Fitting w/Tube
30	737-3073	1		Adapter 1/4-20
31	738-0296	1	S	Shoulder Bolt .437 Dia. x .268
32	738-3153	1		Shoulder Bolt
33	741-3063	1		Sleeve Bearing
34	747-3281	1		Control Rod LH 31-5/8
35	747-3282	1		Control Rod RH 35-3/8
36	736-0300	1	S	Flat Washer .406 ID x .87 OD
37	703-3405	1		Plate Support



Z-200 (1999)  
Drive Wheels

Ref #	Part Number	Qty	S/P/F	Description
7	634-3030	1	S	Rim Ass'y 8.0 x 6.19
8	734-0255	1	S	Tubeless Air Valve
9	734-3160	1	S	Tire 20.0 x 9.0 x 8.0



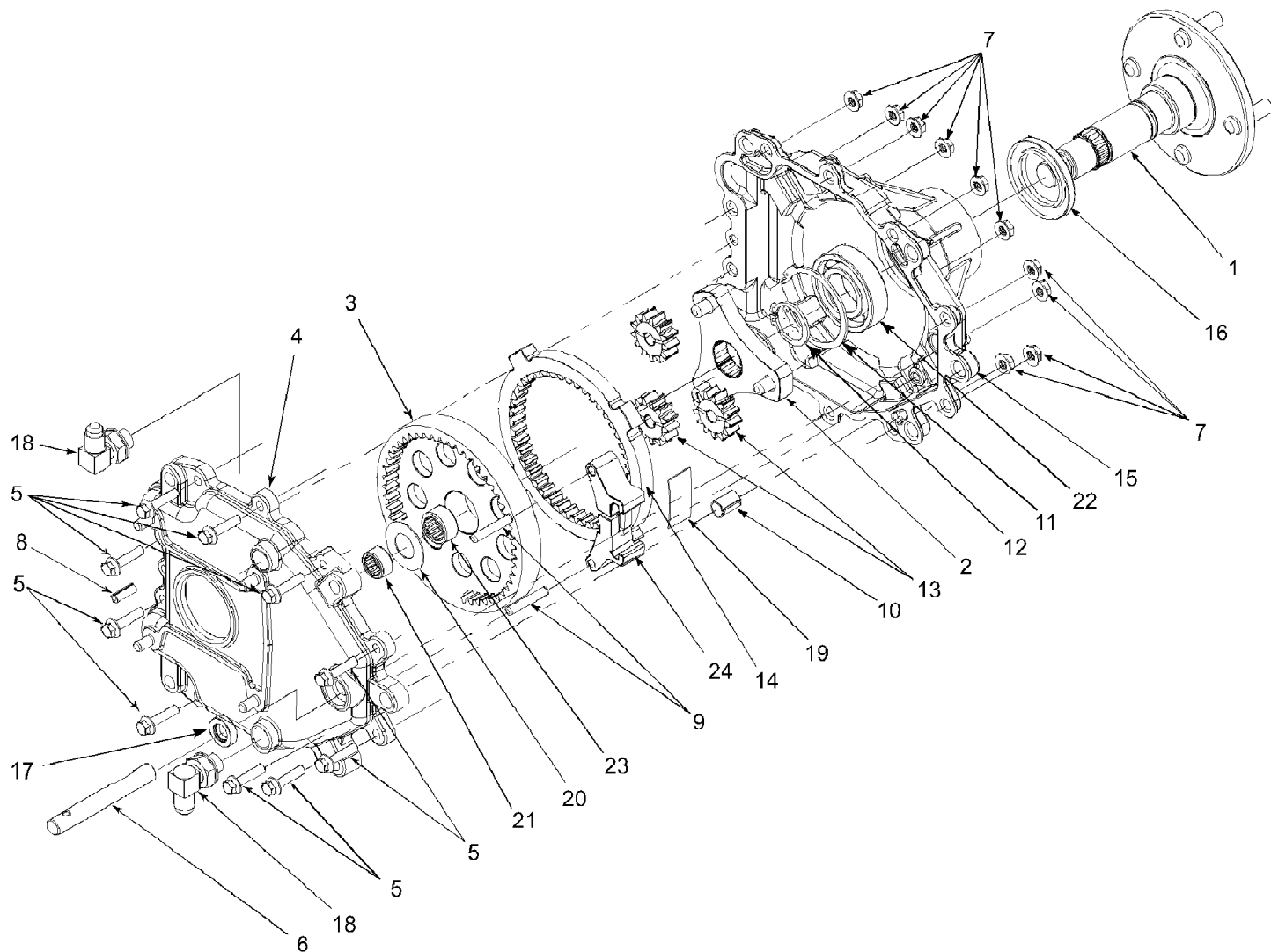


Z-200 (1999)

Page 18 of 39

Engine Mounting, Muffler, Control And PTO Clutch

Ref #	Part Number	Qty	S/P/F	Description
1	710-3009	1	/P	Screw #10-24 x .750
2	746-3070	1		Throttle Cable Control 40.5"
3	746-3068	1		Choke Cable Control 43.0"
4	712-0161	1	/P	Nylon Lock Nut #10-24
5	726-0205	1	/P	Hose Clamp
6	751-0535	1		Fuel Line Hose
7	710-0751	1	/P	Hex Cap Screw 1/4-20 x .620
8	736-3006	1		Lock Washer 1/4 ID x 3/4 OD
9	736-0270	1	/P	Bell Washer .265 ID x .75 OD
10	725-3001	1	S	Solenoid Switch
11	712-0291	1	S	Lock Nut 1/4-20
12	736-0119	1	S	Lock Washer 5/16
13	712-3071	1	S	Hex Nut #10-32
14	710-3144	1	/P	Hex Cap Screw 3/8-16 x 2.0
15	712-0431	1	S	Flange Lock Nut 3/8-16
16	751-3141	1	S	Oil Drain Hose
17	723-0466	1		Seal Ring
18	751-3142	1		Oil Drain Cap
19	751-3140	1	S	Oil Drain
20	749-3061	1		Lower Bumper Tube
21	749-3062	1		Upper Bumper Tube
22	710-1174	1	/P	Carriage Bolt 5/16-18 x 2.0
23	736-0451	1	S	Shoulder Washer .320 ID x .93 OD
24	712-3004A	1	/P	Flange Lock Nut 5/16-18
25	710-3178	1	/P	Carriage Bolt 3/8-16 x .75
26	710-0642	1	/P	Hex Washer Screw 1/4-20 x .750
27	751-0558	1		Exhaust Tube RH
28	751-0559A	1	/P	Exhaust Tube LH
29	710-3292	1	/P	Screw
30	703-3004	1	S	Muffler Bracket
31	751-0616	1	S	Muffler
32	751-0564	1	S	Muffler Deflector
33	710-0148	1	/P	Hex Washer Screw #8-32 x .375
34	703-2859	1		Muffler Bracket
35	736-0258	1	/P	Flat Washer .385 ID x 1.0 OD
36	747-3362	1		Rear Belt Retainer Rod
37	736-3010	1		Flat Washer
38	603-0317	1	S	Clutch Retainer Ass'y
39	726-3008	1	/P	Heat Shield Cable Clip
40	710-1007	1	/P	Hex Washer Screw 3/8-16 x 1.5
41	710-1008	1		Hex Washer Screw 3/8-16 x 1.875
42	754-3076	1	S	V-Belt
43	756-3060	1		Pulley
44	714-0128	1	/P	Key
45	725-0157	1	/P	Cable Tie
46	717-3389	1	S	Electric PTO Clutch
47	750-3106	1		Spacer Clutch
48	736-0171	1	S	Lock Washer 7/16
49	710-3157	1	S	Hex Cap Screw 7/16-20 x 3.25



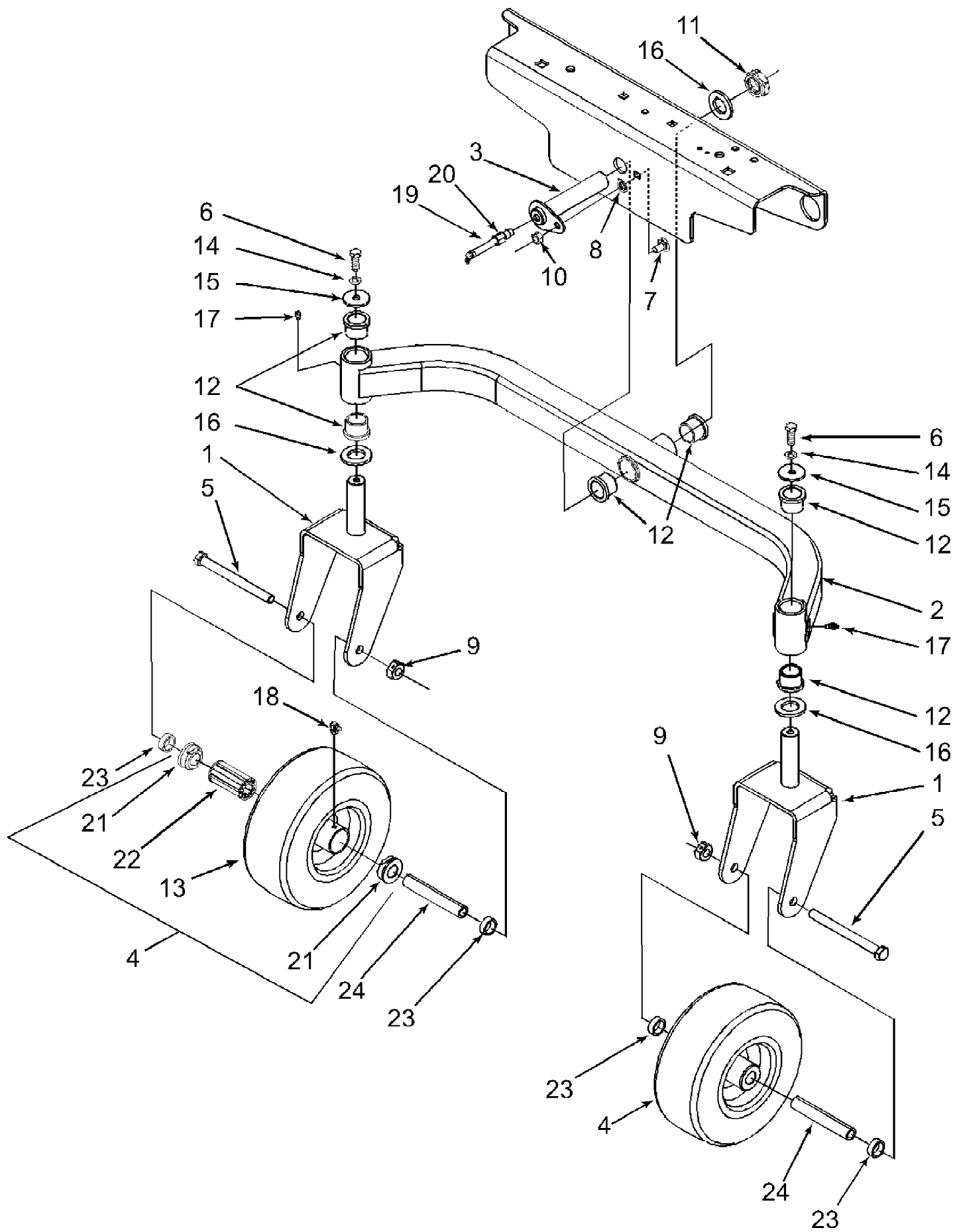
Z-200 (1999)  
Final Drive Assembly

Page 20 of 39

Ref #	Part Number	Qty	S/P/F	Description
1	618-3110A	1	S	Drive Ass'y Complete
	611-3012	1	S	Axle Assembly
	710-0852	1	/P	Ribbed Neck Stud
2	618-3106	1	S	Carrier Assembly, Output
3	618-3107	1	S	Gear Assembly, 51T Internal & 20T
4	618-3109	1	S	Housing Ass'y
5	710-1342	1		Hex Washer Screw 1/4-20 x 1-1/8
6	711-1048	1		Brake Shaft
7	712-3027	1	S	Hex Flange Lock Nut 1/4-20
8	715-0156	1		Roll Pin
9	715-0219	1		Dowel Pin
10	715-3045	1	S	Bushing
11	716-3015	1		Inverted Retaining Ring
12	716-3018	1		Snap Ring
13	717-3395	1		Spur Gear 13T
14	717-3397	1		Ring Gear 46T
15	719-3114	1	S	Axle Outer Housing
16	721-0381	1	S	Oil Seal
17	721-0393	1		Oil Seal
18	727-3124	1	S	Elbow Fitting
19	732-0752	1		Brake Shoe Spring
20	736-0351	1	S	Shim Washer .76 x 1.5 x .030
	736-0492	1	S	Shim Washer .76 x 1.5 x .010
	736-0493	1	S	Shim Washer .76 x 1.5 x .020
21	741-0665	1	/P	Needle Bearing
22	741-3033A	1	S	Ball Bearing
23	741-3080	1		Needle Bearing
24	761-3049	1		Shoe Brake



Ref #	Part Number	Qty	S/P/F	Description
1	603-0258B	1		Frame
2	603-0424	1	S	Control Panel LH
3	603-0425	1		Control Panel RH
4	703-2783	1	S	Fuel Tank Mounting Bracket
5	710-0376	1	/P	Hex Cap Screw 5/16-18 x 1.0
6	710-0642	1	/P	Hex Washer Screw 1/4-20 x .625
7	710-0520	1	/P	Hex Cap Screw 3/8-16 x 1.5
8	710-1174	1	/P	Curved Carriage Screw 5/16-18 x 2.0
9	710-0216	1	/P	Hex Cap Screw 3/8-16 x 3/4
10	710-0859	1	/P	Hex Cap Screw 3/8-16 x 2.5
11	710-3180	1	/P	Hex Cap Screw 5/16-18 x 1.75
12	712-0251	1		Retainer Nut 3/8-16
13	712-0431	1	S	Hex Flange Lock Nut 3/8-16
14	712-0453	1		Retainer Nut 1/4-20
15	712-0455	1		Retainer Nut 3/8-16
16	712-3004A	1	/P	Hex Flange Lock Nut 5/16-18
18	723-3042	1		Snap Bushing
19	728-0117	1		Pop Rivet
20	732-0830	1	S	Spring Clip
21	736-0451	1	S	Saddle Washer
22	736-3004	1	S	Flat Washer .406 ID x .875 OD
23	749-3061	1		Lower Tube Bumper
24	749-3062	1		Upper Tube Bumper
25	749-3082	1	S	Engine Support Tube
26	750-3200	1		Spacer
27	603-0620	1		Front Bumper
28	726-0298	1		End Cap
29		1		UNKNOWN
30		1		UNKNOWN
31		1		UNKNOWN



Z-200 (1999)  
Front Axle And Tire Assembly

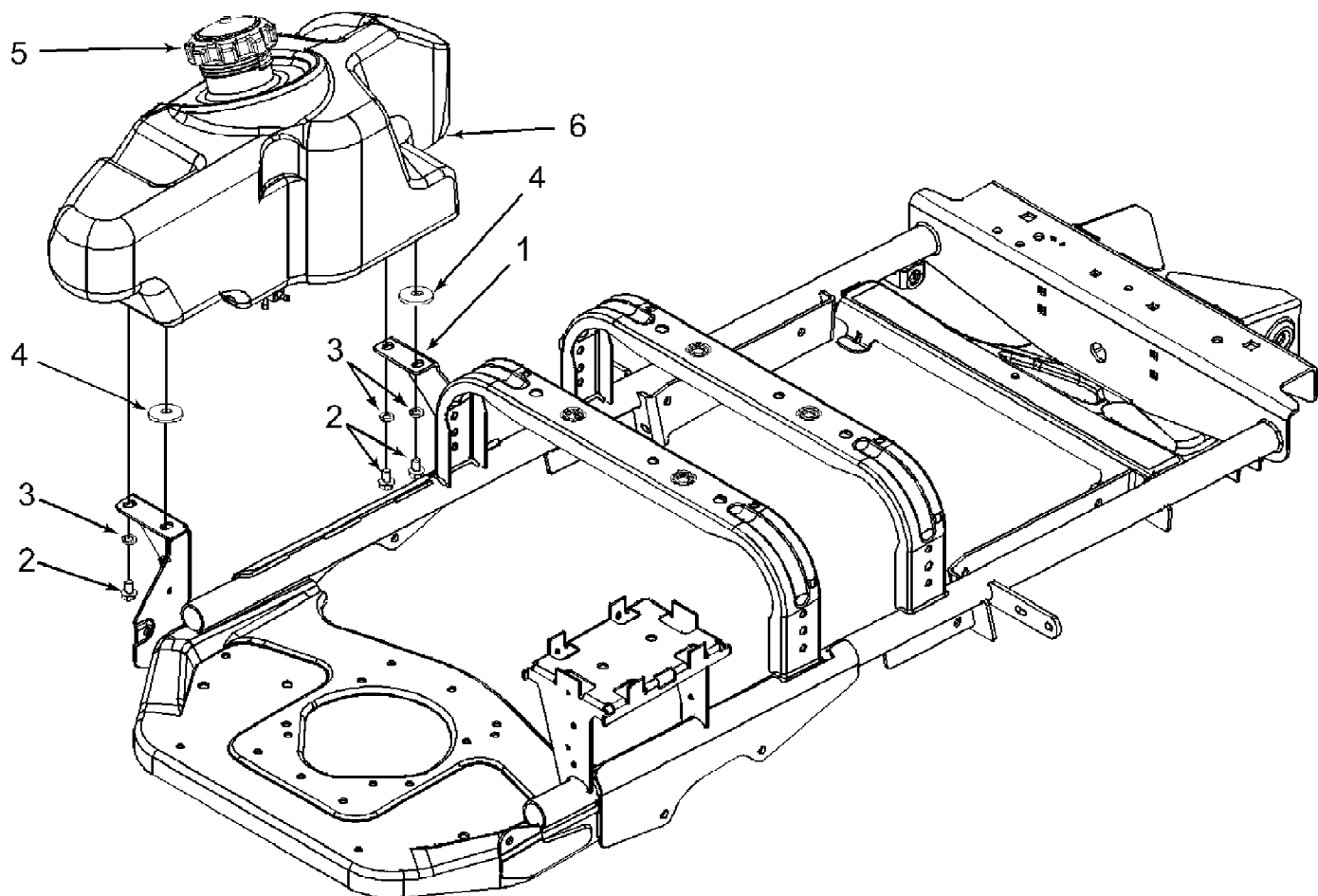
Page 24 of 39

Ref #	Part Number	Qty	S/P/F	Description
1	603-0363	1		Bracket, Castor Wheel
2	603-0382	1	S	Axle Ass'y Front Inc. 12 & 17
3	603-0389A	1		Pin Ass'y, Pivot
4	634-3164	1		Wheel Comp 11.0 x 4.0 x 5.0
5	710-0506	1	/P	Screw, Hex Cap, 1/2-20 x 5.5
6	710-0514	1	/P	Screw, Hex Cap, 3/8-16 x 1.0 GR5
7	710-3178	1	/P	Bolt, Carriage, 3/8-16 x .75
8	712-0229	1		Push Nut, Retainer, 3/8 ID
9	712-0239	1	S	Nut, Hex Center Lock, 1/2-20
10	712-0431	1	S	Nut, Hex Flange Lock, 3/8-16
11	712-3075	1	/P	Nut, Hex Lock, 1.0-14
12	731-0374	1	S	Bearing, Flange, 1.0 ID
13	734-3179	1		Tire, Urethane, Only
14	736-0169	1	S	Washer, Lock 3/8
15	736-0227	1	S	Washer, Flat, .39 x 1.5 x .134
16	736-0274	1	S	Washer, Special Flat
17	737-0280	1	S	Fitting, Grease
18	737-3004	1	/P	Fitting, Grease, 90° Tap 1/4-28
19	737-3072	1		Fitting, Grease, 65° w/Extension
20	737-3090	1	S	Adapter, 1/8 NPTF x 1/8 NPTF
21	741-3069	1		Bearing, Flange
22	741-3070	1	S	Bearing, Roller
23	750-0456	1	S	Spacer, .79 ID x .347 Lg
24	750-3197	1	S	Spacer, Wheel



Z-200 (1999)  
Fuel Tank

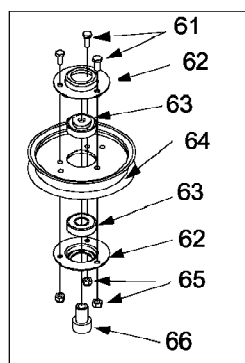
Page 25 of 39



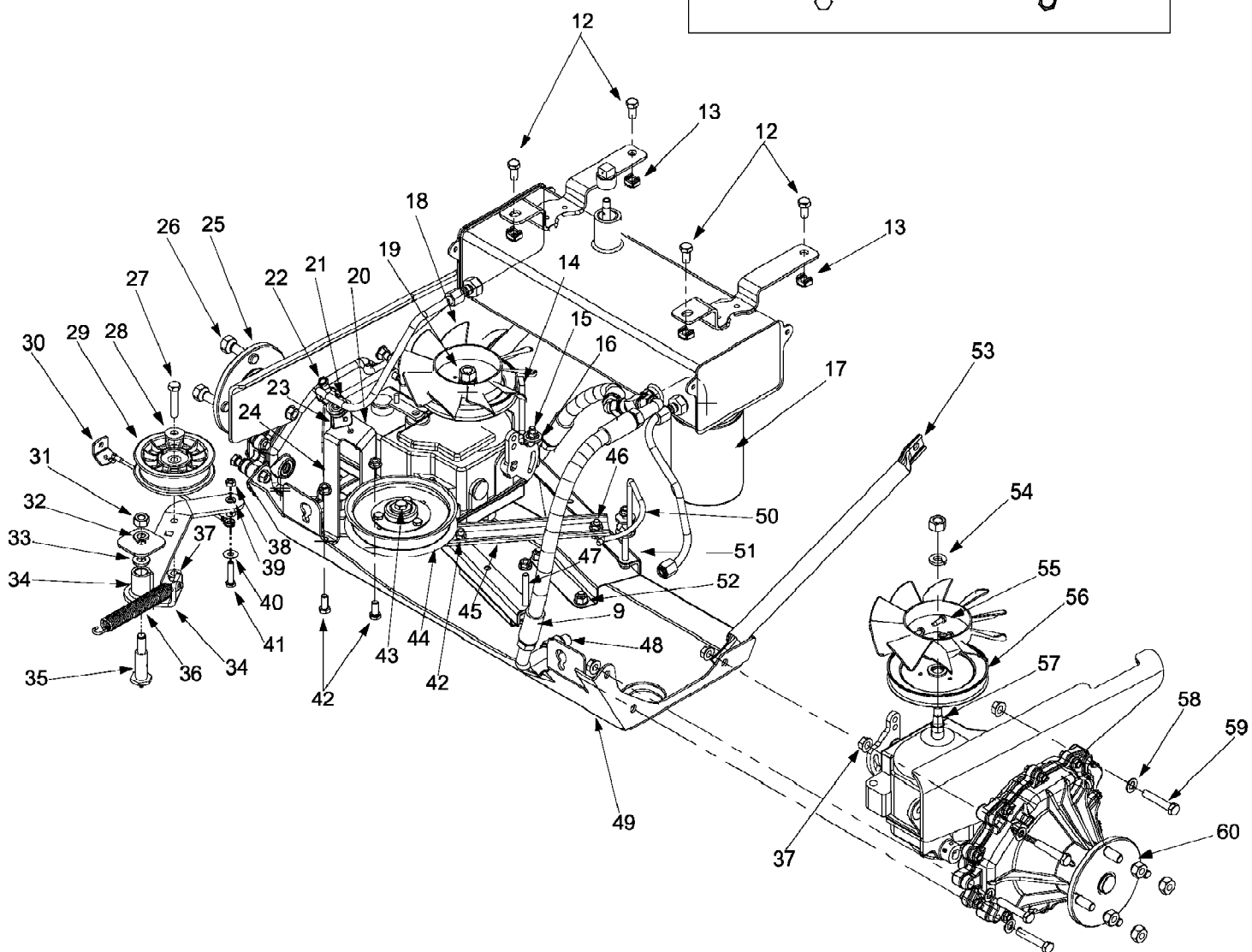
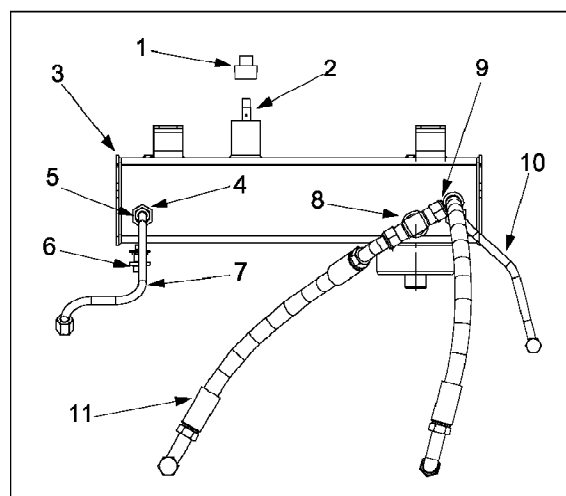
Z-200 (1999)  
Fuel Tank

Page 26 of 39

Ref #	Part Number	Qty	S/P/F	Description
1	703-2783	1	S	Fuel Tank Mounting Bracket
2	710-0870	1	/P	Hex Cap Screw 3/8-16 x .62
3	736-0169	1	S	Lock Washer 3/8
4	736-0227	1	S	Flat Washer .390 ID x 1.5 OD
5	751-3124B	1	S	Fuel Cap
6	751-3143	1		Fuel Tank



44



Z-200 (1999)

Page 28 of 39

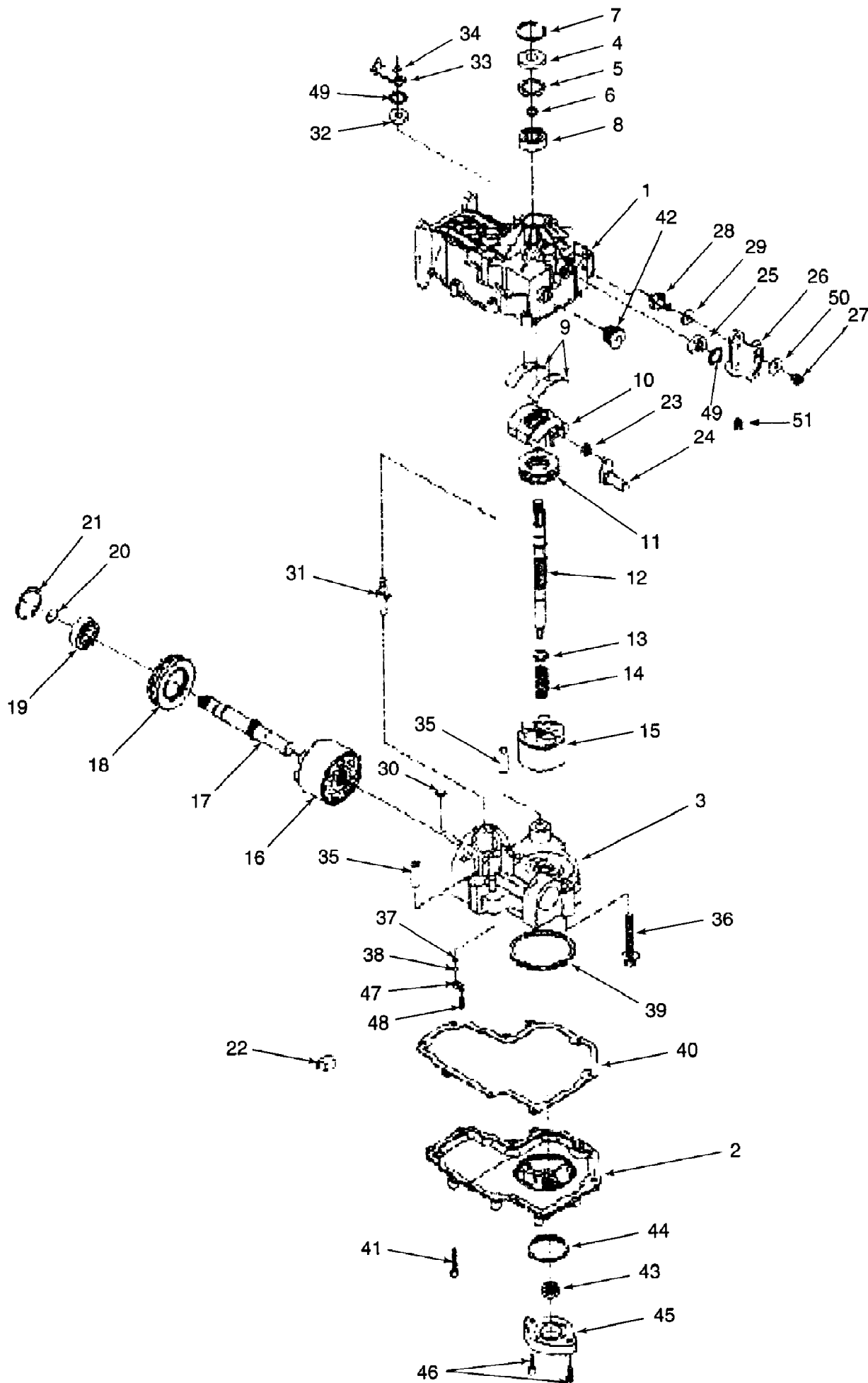
Hydraulic Drive, Lines And Filter

Ref #	Part Number	Qty	S/P/F	Description
1	737-3069	1		Pipe Plug
2	737-3070A	1		Pipe Dipstick
3	603-0639	1		Hydraulic Tank Assembly
4	727-3116	1	S	Connection Fitting
5	721-0223	1	S	Seal
6	738-0940	1	/P	Drain Plug
7	727-3120	1		Inlet Tube LH
8	727-3155	1		Tee Fitting
9	727-3154	1		Outlet Hose RH
10	727-3121	1		Inlet Tube RH
11	727-3153	1		Outlet Hose LH
12	710-0216	1	/P	Hex Cap Screw 3/8-16 x .75
13	712-0455	1		Retainer Nut 3/8-16
14	747-3360	1	S	Belt Retainer Rod RH
15	710-0378	1	/P	Hex Cap Screw 5/16-18 x 2.5
16	736-3089	1	/P	Flat Washer 5/16
17	723-3071	1		Filter Element
18	731-1449A	1	S	Fan Blade
19	712-0333	1	S	Hex Nut 1/2-20
20	703-3168	1		Mounting Pulley Bracket
21	756-0625	1		Roller Cable
22	738-0924	1	S	Hex Shoulder Screw 1/4-28 x .375
23	703-3169	1		Retainer Cable Bracket
24	712-0117	1	S	Lock Nut 1/4-28
25	618-3165	1		Complete Transmission Assembly LH
26	712-3050	1	/P	Lug Nut
27	710-0347	1	/P	Hex Cap Screw 3/8-16 x 1.75
28	736-0258	1	/P	Flat Washer .385 ID x 1.0 OD
29	756-0627	1	S	Flat Idler Pulley 3.5 OD
30	703-3174	1		Mounting Bracket Cable
31	712-3019	1	S	Hex Nut 7/16-14
32	736-0171	1	S	Lock Washer 7/16
33	736-3015	1	S	Flat Washer .469 ID x .875 OD
34	603-0377A	1	S	Idler Arm Assembly
35	603-0102	1		Shoulder Screw
36	732-0478	1	S	Extension Spring 6.12 Lg
37	712-0431	1	S	Flange Lock Nut 3/8-16
38	712-0138	1	S	Hex Nut 1/4-28
39	736-0329	1	S	Lock Washer 1/4
40	736-0342	1		Flat Washer.283 ID x.75 OD
41	710-0428	1		Hex Cap Screw 1/4-28 x 1.25
42	710-3008	1	/P	Hex Cap Screw 5/16-18 x .75
43	710-3011	1	/P	Hex Cap Screw 3/8-16 x 2.25
44	603-0362	1	S	Idler Pulley Assembly 5.0"
45	703-2888	1	S	Idler Bracket
46	712-3004A	1	/P	Flange Lock Nut 5/16-18
47	710-3103	1	/P	Hex Cap Screw 5/16-18 x 2.0
48	727-3100	1	S	Connection Fitting 1/2 x 3/8
49	603-0358B	1	S	Skid Plate Assembly
50	747-3361	1		Belt Rod LH
51	603-0450	1	S	Support Pump Assembly
52	710-3178	1	/P	Carriage Bolt 3/8-16 x .75
53	749-3040			

Z-200 (1999)  
Hydraulic Drive, Lines And Filter

Page 29 of 39

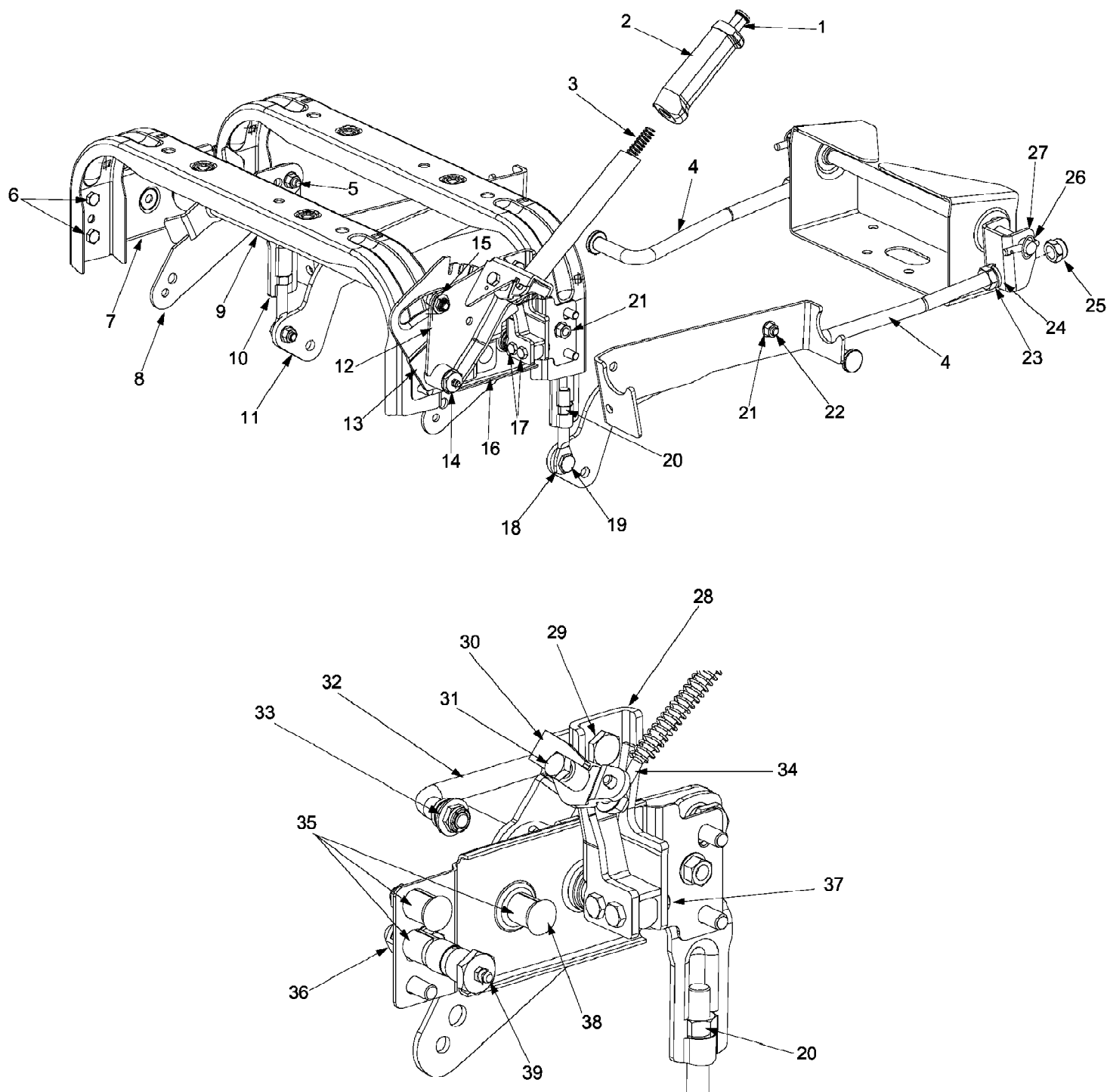
Ref #	Part Number	Qty	S/P/F	Description
54	736-0921	1	S	Lock Washer 1/2
55	710-1189	1		Hex Washer Screw #12-24 x .625
56	756-0974	1	/P	Transmission Pulley
57	732-0729	1	/P	Wire Ring
58	736-0185	1	S	Flat Washer
59	710-3144	1	/P	Hex Cap Screw 3/8-16 x 2.0
60	618-3164	1		Complete Tranmission Assembly RH
61	710-0751	1	/P	Hex Cap Screw 1/4-20 x .62
62	703-2907	1		Bearing Cup
63	741-0600	1	S	Ball Bearing
64	756-3085	1		Idler Pulley 5.0"
65	712-0324	1	/P	Hex Lock Nut 1/4-20
66	750-3176	1		Idler Spacer



Z-200 (1999)  
Hydrostatic Transmission

Page 31 of 39

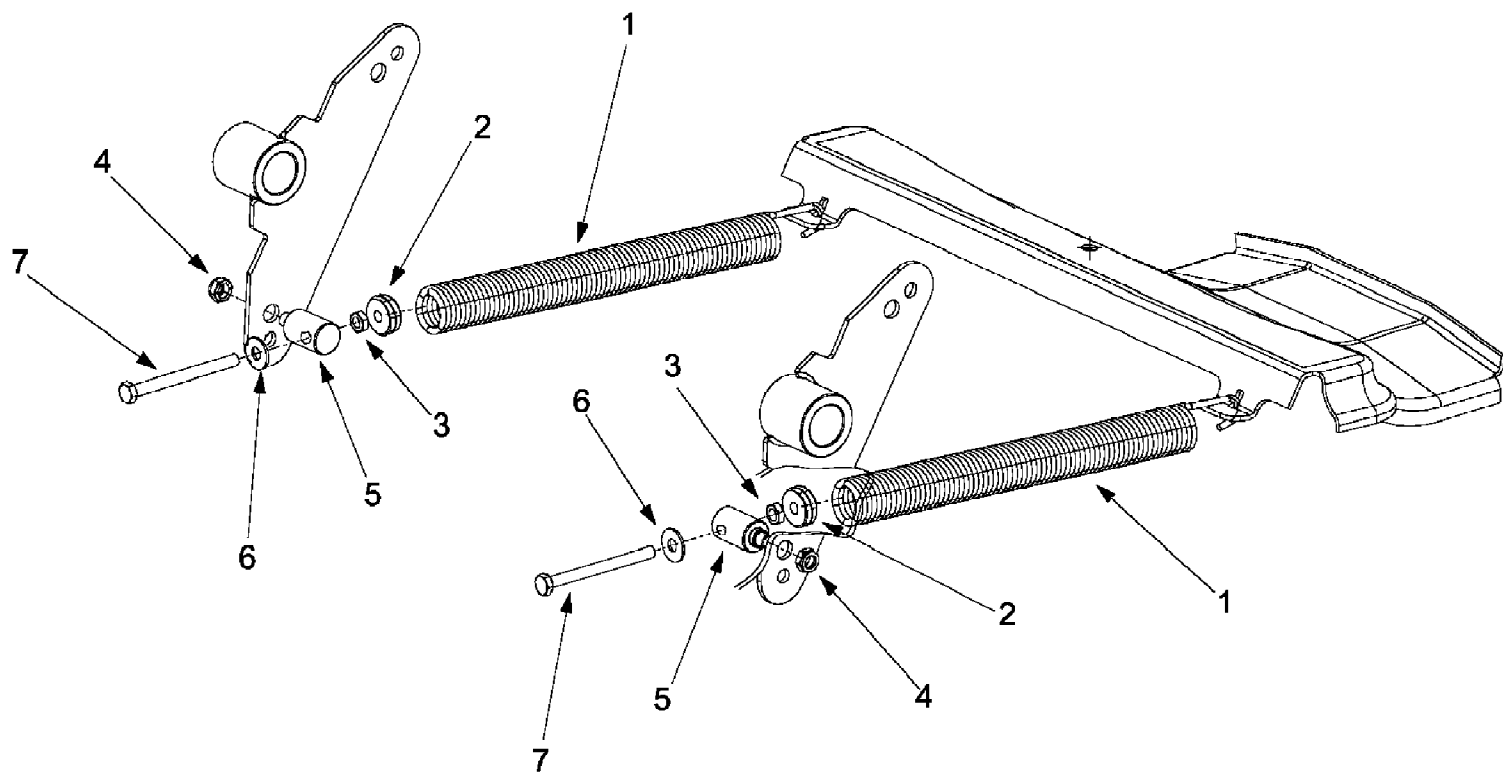
Ref #	Part Number	Qty	S/P/F	Description
	717-3455	1	S	Transmission Ass'y Hydro
1	HG-70304	1		Housing Ass'y Upper
2	HG-50301	1		Lower Housing
3	HG-70299	1	S	Center Section Assembly
4	HG-9008000-0128	1	/P	Lip Seal
5	HG-2003018	1	/P	Spacer
6	HG-2003016	1	/P	Wire Retaining Ring
7	HG-2003052	1	/P	Retaining Ring
8	HG-2003043	1	S	Ball Bearing
9	HG-2003023	1	S	Cradle Bearing
10	HG-2003087	1	/P	Variable Swashplate
11	HG-50551	1	S	Thrust Bearing
12	HG-50303	1		Input Shaft
13	HG-2003017	1	/P	Block Thrust Washer
14	HG-2003014	1	/P	Block Spring
15	HG-70079	1	S	Cylinder Block Assembly
16	HG-70082	1	/P	Cylinder Block Assembly
17	HG-50304	1		Output Shaft (Motor)
18	HG-50552	1	/P	Thrust Bearing
19	741-0361	1	S	Ball Bearing
20	HG-2000022	1	/P	Wire Retaining Ring
21	HG-50329	1	/P	Retaining Ring
22	HG-50649	1		Motor Bearing Retaining
23	HG-2000015	1	/P	Slot Guide
24	HG-2003005	1	/P	Trunnion Arm
25	HG-9008000-0126	1	/P	Lip Seal
26	HG-45007	1	/P	Control Arm
27	712-0237	1	S	Hex Lock Nut 5/16-24
28	HG-50426	1		Short Stud 5/16-24
29	HG-50281	1		Friction Puck
30	HG-2003554	1	S	Bypass Plate
31	HG-2003555	1		Bypass Actuator
32	HG-45074	1	/P	Lip Seal
33	HG-50270	1		Bypass Arm
34	HG-44870	1		Retaining Ring
35	HG-50002	1	/P	Pin
36	HG-50016	1		Screw
37	HG-2000029	1		Charge Relief Spring
38	HG-9001214-2500	1		Ball
39	HG-50578	1	/P	O-Ring
40	HG-50331	1	/P	Gasket
41	HG-44876	1	/P	Self Tapping Screw
42	HG-9005110-8700	1	/P	Drain Plug
43	HG-50273	1	/P	Gerotor Assembly
44	HG-9004101-1340	1	/P	O-Ring
45	HG-50260	1		Gerotor Cover
46	HG-50095	1		Screw
47	HG-50651	1		Relief Plate
48	HG-50653	1	/P	Screw
49	HG-50650	1		Retaining Ring
50	736-0371	1	/P	Washer
51	HG-50018	1		Set Screw





Ref #	Part Number	Qty	S/P/F	Description
1	711-0642A	1	/P	Handle Button
2	731-3158	1		Handle Deck Lift Grip
3	732-3097	1		Compression Spring
4	747-3405	1		Front Lift Rod
5	738-0507B	1	S	Shoulder Screw .500 Dia. x .434
6	710-0216	1	/P	Hex Cap Screw 3/8-16 x .75
7	603-0422	1	S	Shaft Mounting Bracket - LH
8	603-0370	1		Pivot Link Bearing Ass'y
9	603-0313	1	S	Lift Shaft Ass'y
10	703-2621	1		Adjustable Deck Lift Link
11	703-2780	1		Lift Parallel Link
12	603-0327	1		Handle Bearing Ass'y
13	703-2772	1		Deck Height Adjustable Plate
14	738-3150	1		Lift Handle Shoulder Screw
15	712-3020	1	S	Top Lock Jam Nut 3/8-16
16	603-0423	1		Shaft Mounting Bracket - RH
17	710-3083	1	/P	Hex Cap Screw 5/16-18 x 1.375
18	711-0773	1		Eye Bolt Adjustable Link
19	738-0380	1	S	Shoulder Screw 3/8-16
20	712-0206	1	S	Hex Nut 1/2-13
21	712-0431	1	S	Flange Lock Nut 3/8-16
22	738-3151	1		Shoulder Screw 3/8-16 .56 x .27
23	712-3015	1	S	Jam Nut 5/8-11
24	736-0158	1	S	Lock Washer 5/8
25	712-3016	1	/P	Lock Hex Nut 5/8-11
26	711-3266	1	S	Clevis Pin
27	703-3407	1	S	Front Lift Bracket
28	603-0401	1	S	Lift Arm Ass'y
29	738-0183	1	S	Shoulder Screw 3/8-16 .50 x .21
30	603-0257	1	/P	Fork Lift Ass'y
31	710-3011	1	/P	Hex Cap Screw 3/8-16 x 2.25
32	747-3276	1		Lift Link Rod
33	736-0300	1	S	Flat Washer .406 x .875
34	747-3267	1		Handle Arm
35	750-3200	1		Spacer .448 ID x .688 OD
36	712-0290	1	/P	Lock Nut 7/16-14
37	712-3009	1	S	Hex Center L-Nut 5/16-18
38	710-0431	1	/P	Hex Screw 3/8-16 x 1.50
39	737-0280	1	S	Grease Fitting

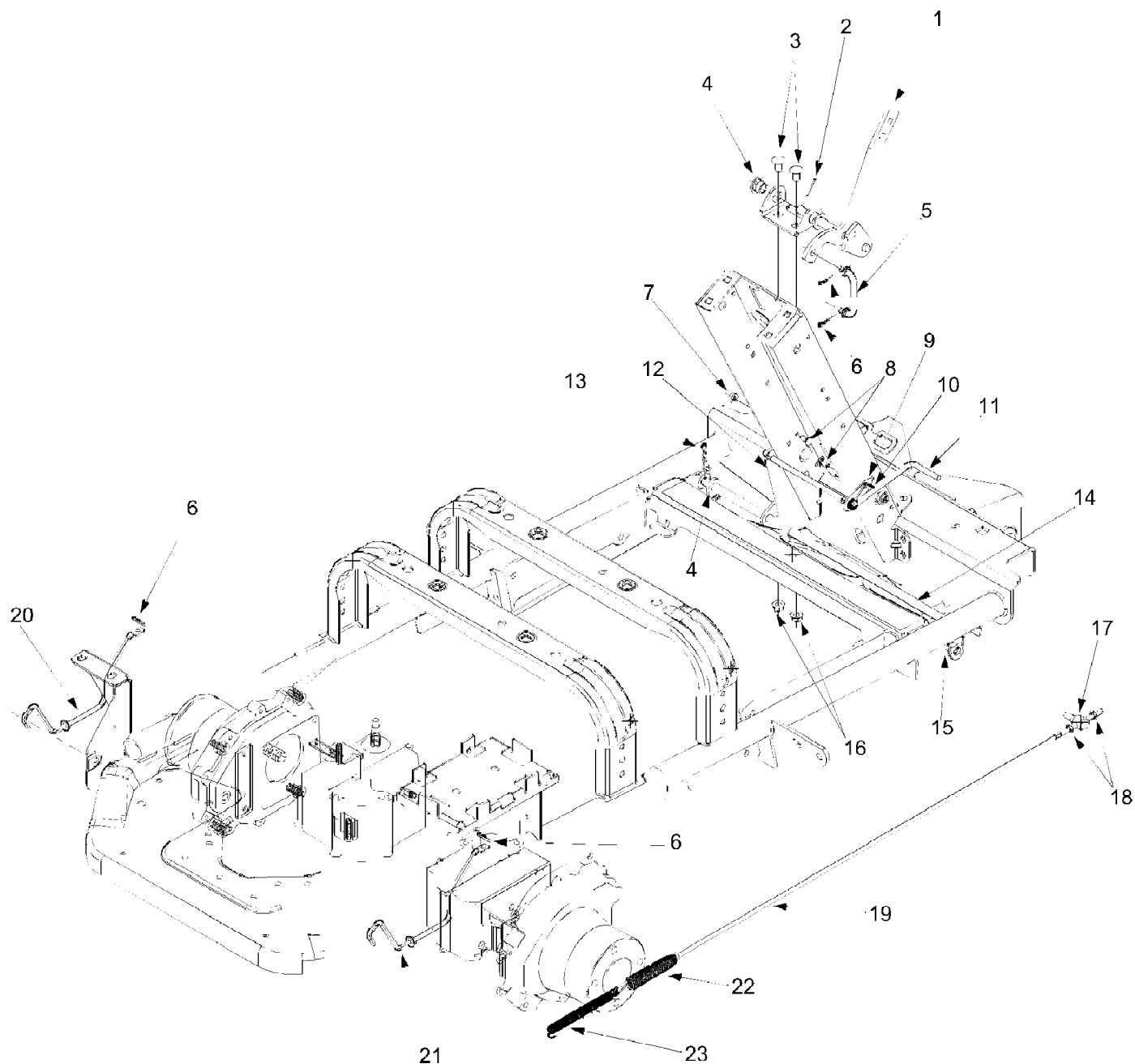
Z-200 (1999)  
Lift Assist Spring



Z-200 (1999)  
Lift Assist Spring

Page 35 of 39

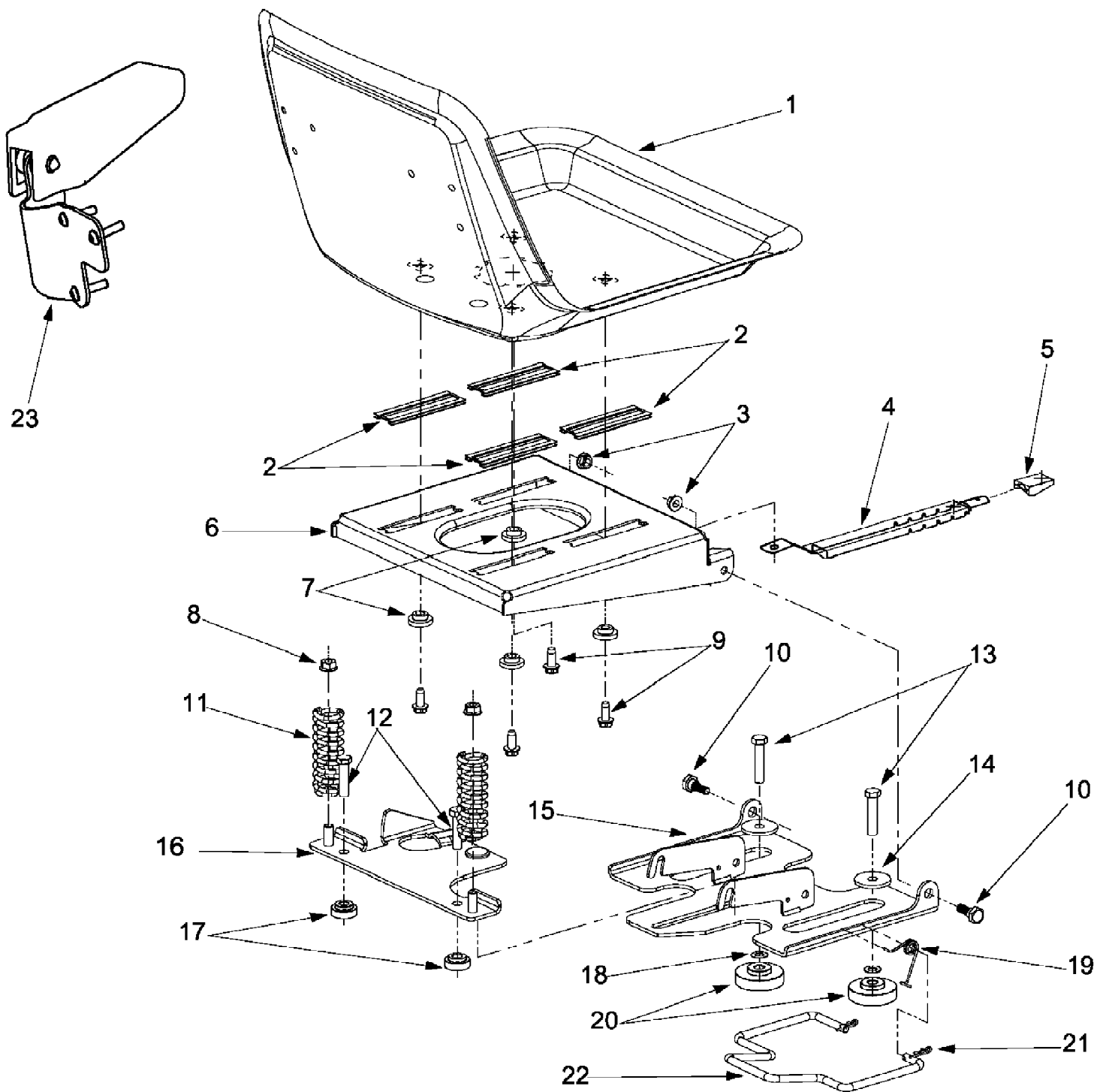
Ref #	Part Number	Qty	S/P/F	Description
1	732-0772	1		Extension Spring 1.25 OD x 11.5 Lg
2	711-0509	1		Spring
3	712-3007	1	/P	Hex Jam Nut 5/16-18
4	712-0116	1	S	Jam Lock Nut 3/8-24
5	711-1059	1		Ferrule
6	736-0159	1	S	Washer 5/16
7	710-1207	1	/P	Hex Cap Screw 5/16-18 x 3.50



Z-200 (1999)  
Parking Brake

Page 37 of 39

Ref #	Part Number	Qty	S/P/F	Description
1	603-0649	1		Parking Brake Shift Ass'y
2	714-3004	1		Cotter Pin
3	710-3178	1	/P	Carriage Bolt 3/8-16 x .75
4	741-0324	1	S	Hex Flange Bearing .506 ID x .590
5	747-3404	1		Connecting Brake Rod
6	714-0104	1	S	Cotter Pin
7	712-3027	1	S	Hex Flange Lock Nut 1/4-20
8	710-0134	1	/P	Carriage Screw 1/4-20 x .62
9	703-2857	1		Retaining Rod Bracket
10	732-0827	1		Torsion Spring 5/16
11	747-3397	1		Parking Brake Retaining Rod
12	703-3405	1		Support Plate
13	714-0101	1	S	Cotter Pin
14	603-0683	1		Brake Rod Ass'y
15	736-0258	1	/P	Flat Washer .385 ID x 1.0 OD
16	712-0431	1	S	Flange Lock Nut 3/8-16
17	711-3357	1	S	Ferrule
18	712-0314	1		Jam Nut 1/4-28
19	747-3266A	1	/P	Bracket Rod
20	747-3363	1		Release Pump Rod LH
21	747-3284	1		Release Pump Rod RH
22	732-0463	1	S	Extension Spring
23	732-0800	1		Extension Spring



Z-200 (1999)  
Seat Assembly

Page 39 of 39

Ref #	Part Number	Qty	S/P/F	Description
1	757-0375	1	S	Seat Assembly
2	731-3154	1		Seat Slide
3	712-3004A	1	/P	Flange Lock Nut 5/16-18
4	732-3098	1		Spring Index
5	720-0190	1	S	Knob
6	603-0294	1	S	Bracket Assembly
7	738-0372	1	S	Shoulder Spacer
8	712-3005	1	S	Flange Lock Nut 3/8-16
9	710-1260A	1	/P	Hex Washer Screw 5/16-18 x .75
10	738-0296	1	S	Shoulder Screw
11	732-3080	1	S	Compression Spring 1.28 OD x 3.5
12	710-0520	1	/P	Hex Cap Screw 3/8-16 x 1.5
13	710-0347	1	/P	Hex Cap Screw 3/8-16 x 1.75
14	736-0227	1	S	Flatwasher
15	603-0470	1	S	Seat Bracket Assembly
16	603-0318A	1		Seat Spring Plate Assembly
17	738-3156	1		Shoulder Spacer
18	736-0314	1	S	Thrust Washer
19	732-0827	1		Torsion Spring
20	738-3166	1		Shoulder Spacer
21	714-0104	1	S	Cotter Pin
22	747-3342	1		Rod
23	757-3009	1		Seat Arm (Set of Two) Optional