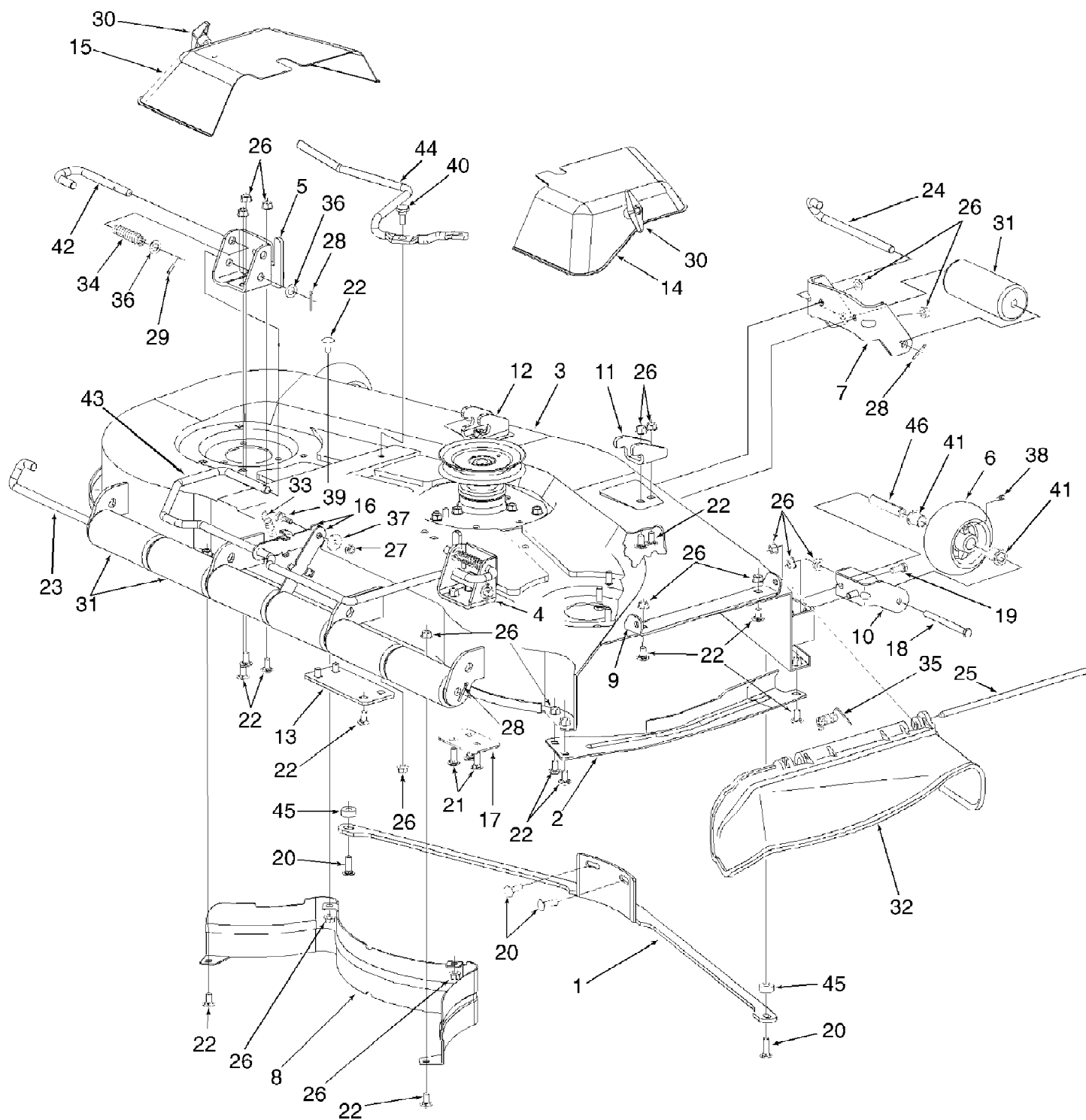


Z-180L  
54" Deck Assembly

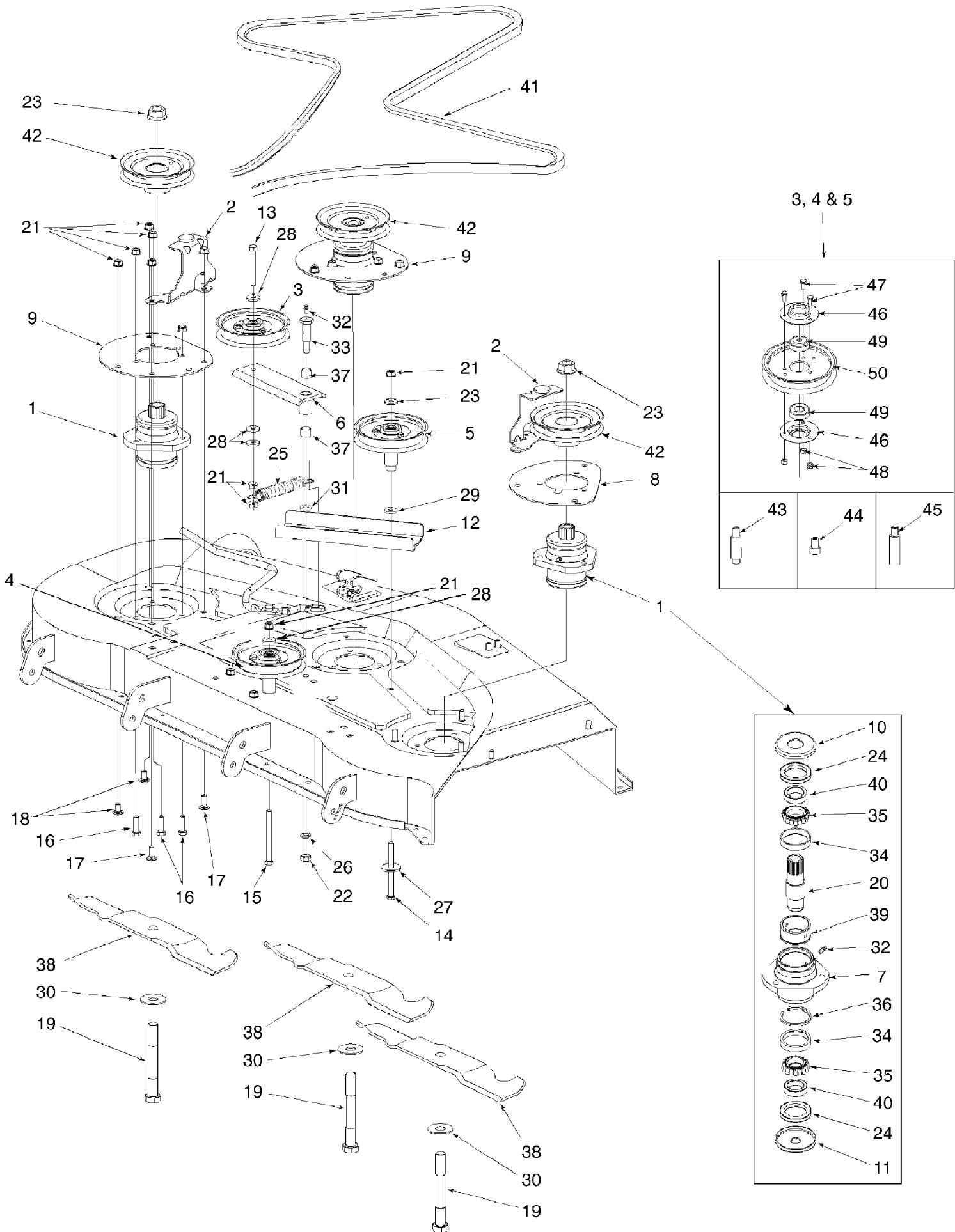


Z-180L  
54" Deck Assembly

Page 2 of 48

Ref #	Part Number	Qty	S/P/F	Description
1	603-0144	1		Bar, 54" Front
2	603-0149-0648	1	S	Guard, Finger
3	603-0325-0648	1		Housing Ass'y, 54" Mower Deck
	777-1426	1	S	Label, Danger, Top Rt. of Deck
	777-9192B	1	S	Label, Deck Safety, Top Lt. of Deck
4	603-0350-0648	1		Bracket, Rear Hanger RH
5	603-0351-0648	1		Bracket, Rear Hanger LH
6	634-3159	2	/P	Wheel Ass'y, 5" Deck [Includes Ref. Nos. 38 & 41 (Qty. 2)]
7	703-2091A-0648	1	S	Bracket, Front Roller
8	703-2093	1		Baffle, Rear Inner
9	703-2392	1	S	Bracket, Chute Mtg.
10	703-2410-0648	2	S	Bracket, Deck Wheel
11	703-2430-0648	1	S	Bracket, Front Deck - RH
12	703-2767-0648	1		Bracket, Front Deck - LH
13	703-2791	1		Plate, Idler Support
14	703-2816-0648	1		Cover, Belt - RH
15	703-2817-0648	1	S	Cover, Belt - LH
	777-5607	1		Label, Belt Install. - Under Cover
16	703-2929-0648	2	S	Link, Deck Support
17	703-2988	1	S	Plate, Support
18	710-0944	2	/P	Screw, Hex Cap, 3/8-16 x 4.25 GR5
19	710-3001	4	/P	Screw, Hex Cap, 3/8-16 x .88 GR5
20	710-3034	4	/P	Bolt, Carriage, 3/8-16 x 1.25 GR5
21	710-3168	3	/P	Bolt, Carriage, 3/8-16 x 1.0 GR5
22	710-3178	19	/P	Bolt, Carriage, 3/8-16 x .75 GR5
23	711-1103	1		Pin, Roller
24	711-3314	1	S	Pin, Roller, 1/2 x 7.31
25	711-3318	1	/P	Hinge Pin
26	712-0431	33	S	Nut, Hex Flange Lock, 3/8-16
27	712-3004A	1	/P	Nut, Hex Flange Lock, 5/16-18
28	714-0115	4	S	Pin, Cotter 1/8 x 1.0
29	715-3003	2		Pin, Spirol Spring, 3/16 x 3/4
30	720-0241	2	S	Knob, Wingnut, 5/16-18
31	731-3005	7	/P	Roller, Front & Rear
32	731-3131	1	S	Deflector, Plastic Chute
	777-1584	1	S	Label, Danger Cut Finger
33	732-0395	1	S	Spring, Extension
34	732-0802	2		Spring, Compression
35	732-3070	1	S	Spring, Torsion
36	736-0160	4	S	Washer, Flat, .536 x .93 x .05
37	736-0231	1	S	Washer, Flat, .344 x 1.125 x .12
38	737-0280	2	S	Grease Fitting
39	738-0296	1	S	Bolt, Shoulder, .437 x .268:5/16-18
40	738-0380	1	S	Bolt, Shoulder, .50 x .267:3/8-16
41	741-0487A	4	S	Bearing, Flange
42	747-3013	2		Pin, Mower Support
43	747-3297A	1	/P	Rod, Deck Support
44	747-3306	1		Rod, Idler Spring Mtg
45	750-3119	2	/P	Spacer, .406 x 1.0 x .38
46	750-3193	2	/P	Spacer, Wheel

Z-180L  
54" Deck Drive And Spindle Assembly



Z-180L

Page 4 of 48

## 54" Deck Drive And Spindle Assembly

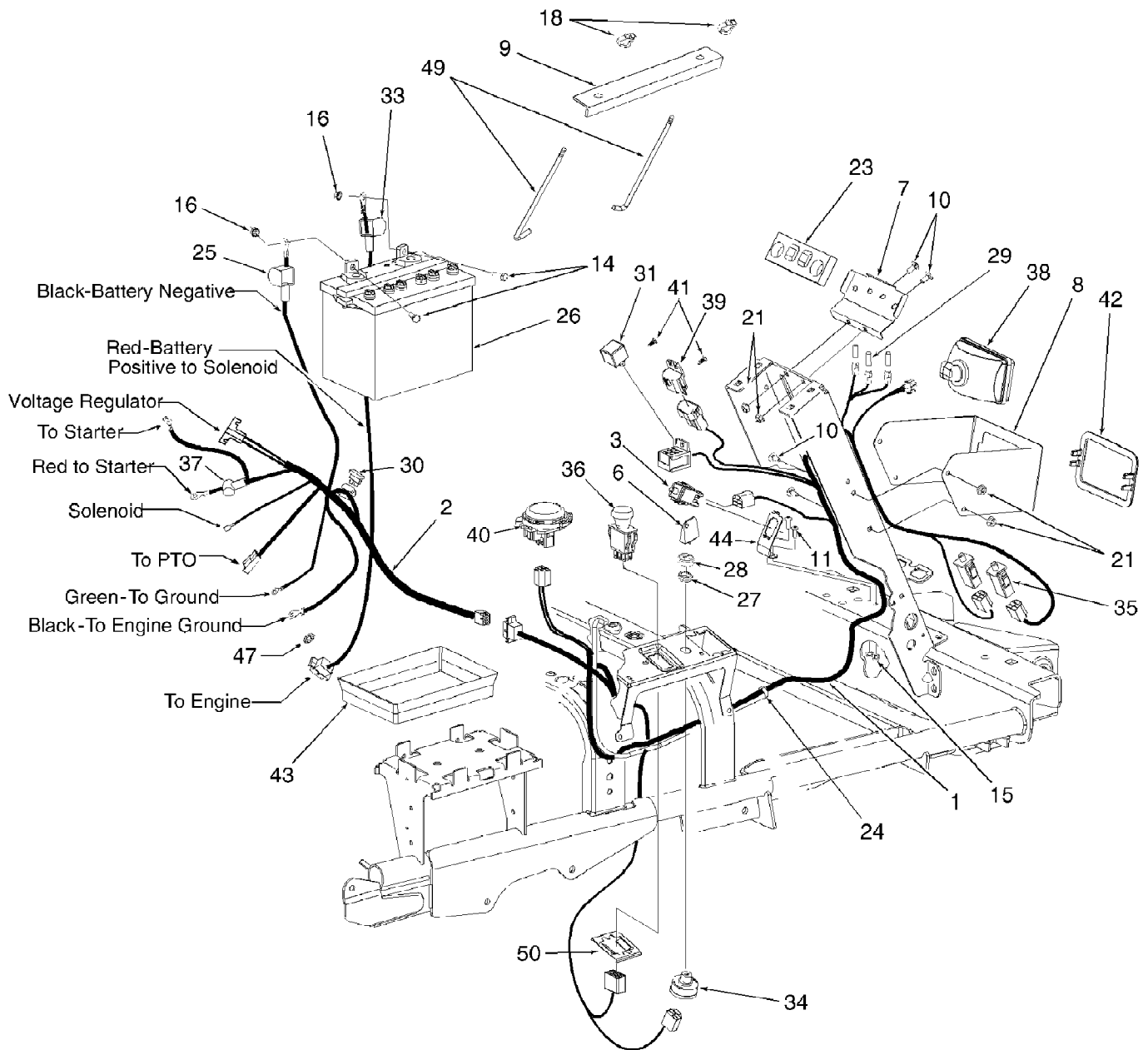
Ref #	Part Number	Qty	S/P/F	Description
1	603-0043A	3	S	Spindle Ass'y, Complete
2	603-0326-0648	2		Bracket, Belt Cover Support
3	603-0362	1	S	Pulley Ass'y, 5" Idler [Includes Ref. No. 44 & 46 Thru 50]
4	603-0406	1		Pulley Ass'y, 5" Idler [Includes Ref. No. 45 & 46 Thru 50]
5	603-0407	1		Pulley Ass'y, 5" Idler [Includes Ref. No. 43 & 46 Thru 50]
6	603-0469	1	S	Arm Ass'y, Idler [Includes Ref. No. 37 (Qty. 2)]
7	619-3022	3		Spindle Housing
8	703-2178	1	S	Cover Plate, RH Side
9	703-2179A	2	S	Cover Plate,
10	703-2184	3	/P	Cup, Spindle Top
11	703-2185	3	S	Cup, Spindle Bottom
12	703-2849	1	S	Channel
13	710-0521	1	/P	Screw, Hex Cap, 3/8-16 x 3.0 GR8
14	710-0693	1	/P	Screw, Hex Cap, 3/8-16 x 4.5 GR5
15	710-0944	1	/P	Screw, Hex Cap, 3/8-16 x 4.25 GR5
16	710-3005	9	/P	Screw, Hex Cap, 3/8-16 x 1.25 GR5
17	710-3168	4	/P	Bolt, Carriage, 3/8-16 x 1.0 GR5
18	710-3178	6	/P	Bolt, Carriage, 3/8-16 x .75 GR5
19	710-3252	3		Bolt, Hex Head, 3/4-16 x 6.0
20	711-3342	3	/P	Shaft, Spindle
21	712-0431	23	S	Nut, Hex Flange Lock, 3/8-16
22	712-3019	1	S	Nut, Hex, 7/16-14
23	712-3078	3	/P	Nut, Hex Flange, 3/4-16
24	721-0385	6	S	Oil Seal
25	732-0942	1		Spring, Extension
26	736-0171	1	S	Washer, Lock, 7/16
27	736-0227	1	S	Washer, Flat, 3/8 x 1.5 x .134
28	736-0258	5	/P	Washer, Flat, .385 x 1.0 x .135
29	736-0316	1	S	Washer, Flat
30	736-3014	3	/P	Washer, Flat, .78 x 2.0 x .105
31	736-3015	1	S	Washer, Flat, .469 x .875 x .105
32	737-0280	4	S	Fitting, Grease
33	738-3108	1	/P	Shoulder Bolt
34	741-3050	6	S	Cup, Bearing
35	741-3051	6	S	Bearing, Cone
36	741-3052	3	S	Spacer, Bearing
37	741-3063	2		Bearing, Sleeve
38	759-3820	3	/P	Mower Blade
39	750-3073	3	/P	Spacer, Bearing Cup
40	750-3187	6	S	Ring, Seal
41	754-3078	1	S	V-Belt, B Section 161.0 Lg
	754-3083	1	S	V-Belt, B Section 165.0 Lg Liquid Cooled Units Only
42	756-3082	3		Pulley, Spindle
43	750-3175	1		Spacer, Front Deck Idler Pulley
44	750-3176	1		Spacer, Idler Arm Pulley

Z-180L  
54" Deck Drive And Spindle Assembly

Page 5 of 48

Ref #	Part Number	Qty	S/P/F	Description
45	750-3177	1		Spacer, Rear Deck Idler Pulley
46	703-2907	6		Cup, Bearing
47	710-0751	9	/P	Screw, Hex Cap, 1/4-20 x .62 GR5
48	712-0324	9	/P	Nut, Hex Insert Lock, 1/4-20
49	741-0600	6	S	Bearing, Ball
50	756-3085	3		Pulley, Flat Idler

Battery, Electrical Components & Switches (Liquid Cooled Only)



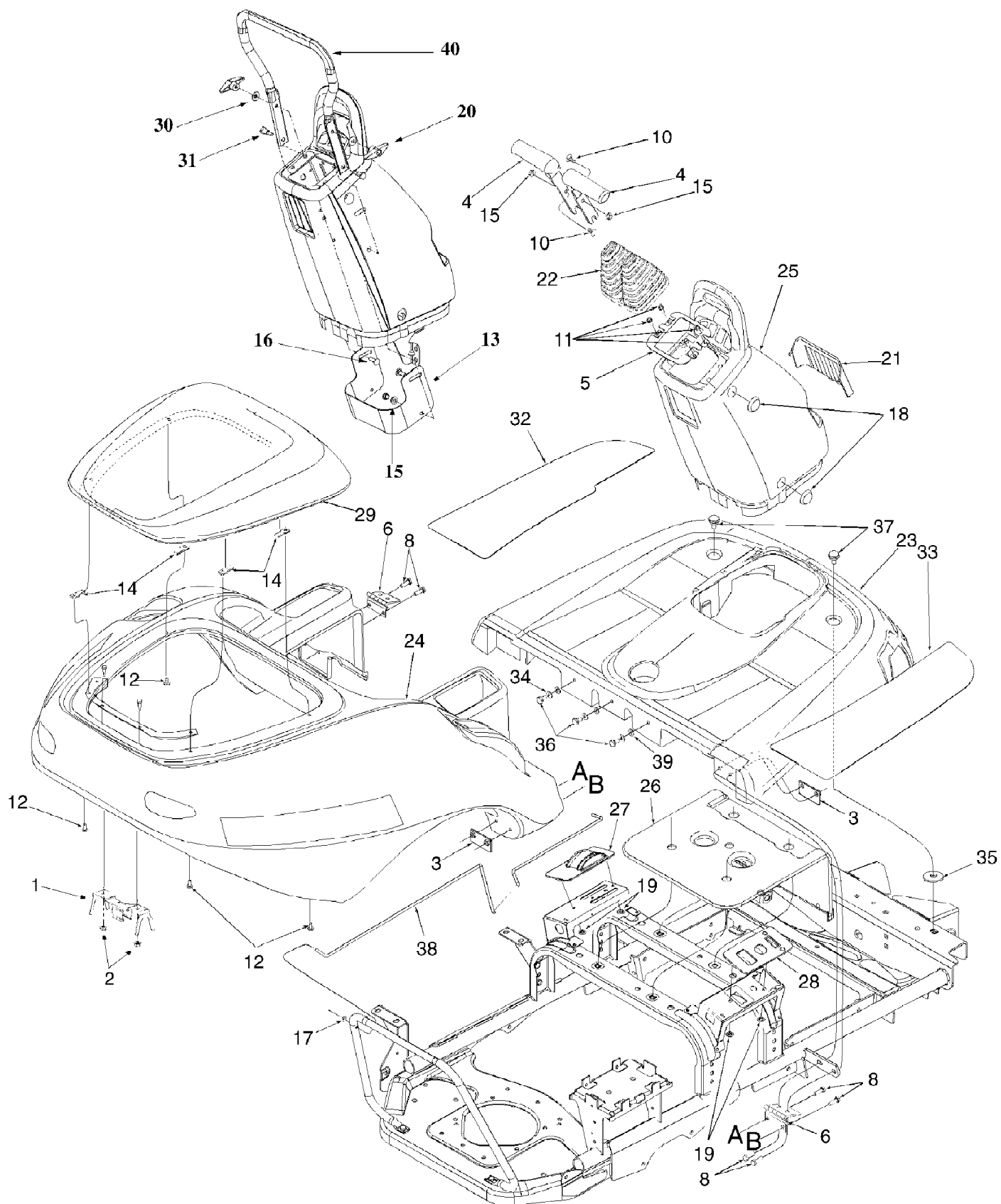
Z-180L

Page 7 of 48

Battery, Electrical Components &amp; Switches (Liquid Cooled Only)

Ref #	Part Number	Qty	S/P/F	Description
1	629-3032	1		Wire Harness, Main
2	629-3035	1		Wire Harness, Engine Includes Ref. Nos.30
3	725-3191A	1	S	Switch, Plunger Safety
6	759-3476A	1	S	Key, Ignition (Set of 2)
7	703-2809	1	S	Bracket, Indicator Bulb Mtg.
8	703-2836	1		0498 Bracket, Headlight Mtg.
9	703-3149	1	S	Strip, Battery Retainer
10	710-0134	6	/P	Bolt, Carriage, 1/4-20 x .62
11	710-0425	2	/P	Screw, Machine, #10-24 x 5/8
14	710-3015	2	/P	Screw, Hex Cap, 1/4-20 x .75 GR5
15	712-0161	2	/P	Nut, Hex Insert Lock, #10-24
16	712-0271	2	/P	Nut, Hex Sems, 1/4-20
18	712-0397	2	S	Nut, Nylon Wing, 1/4-20
21	712-3027	6	S	Nut, Hex Flange Lock, 1/4-20
23	723-0455	1		Foam Protector, Indicator Light
24	725-0157	3	/P	Cable Tie
25	725-0340	1		Cover, Battery Terminal - Black
26	725-0453E	1	S	Battery
27	725-1346	1	S	Nut, Ignition Switch, 5/8-32
28	725-1347	1	/P	Cap, Ignition Switch
29	725-1365	3	S	Bulb, Indicator
30	725-1656	1		Fuse, Mini, 20 Amp
31	725-1718	2	S	Relay
33	725-3007A	1	/P	Cover, Battery Terminal - Red
34	725-1717	1	S	Switch, Ignition
35	725-3164A	2	S	Switch, Plunger Safety
36	725-3233	1	S	Switch, PTO
37	725-3237	1		Cover, Terminal - Red
38	725-3250	1	S	Headlight Assembly
	759-3864	1	S	Bulb, Headlight - Only
39	725-3251	1	S	Sensor, Voltage
40	725-3254	1	S	Switch, Seat
41	726-0349	2	S	Retainer, Ratchet
42	731-3184	1		Bezel, Headlight
43	731-3233	1		Tray, Battery
44	732-0816	1		Spring, Switch Mounting
47		1		UNKNOWN
49	747-3347	2		Rod, Battery Retainer
50	783-0462	1	/P	Bracket, PTO Switch Retainer

Z-180L  
Body Cover Panels

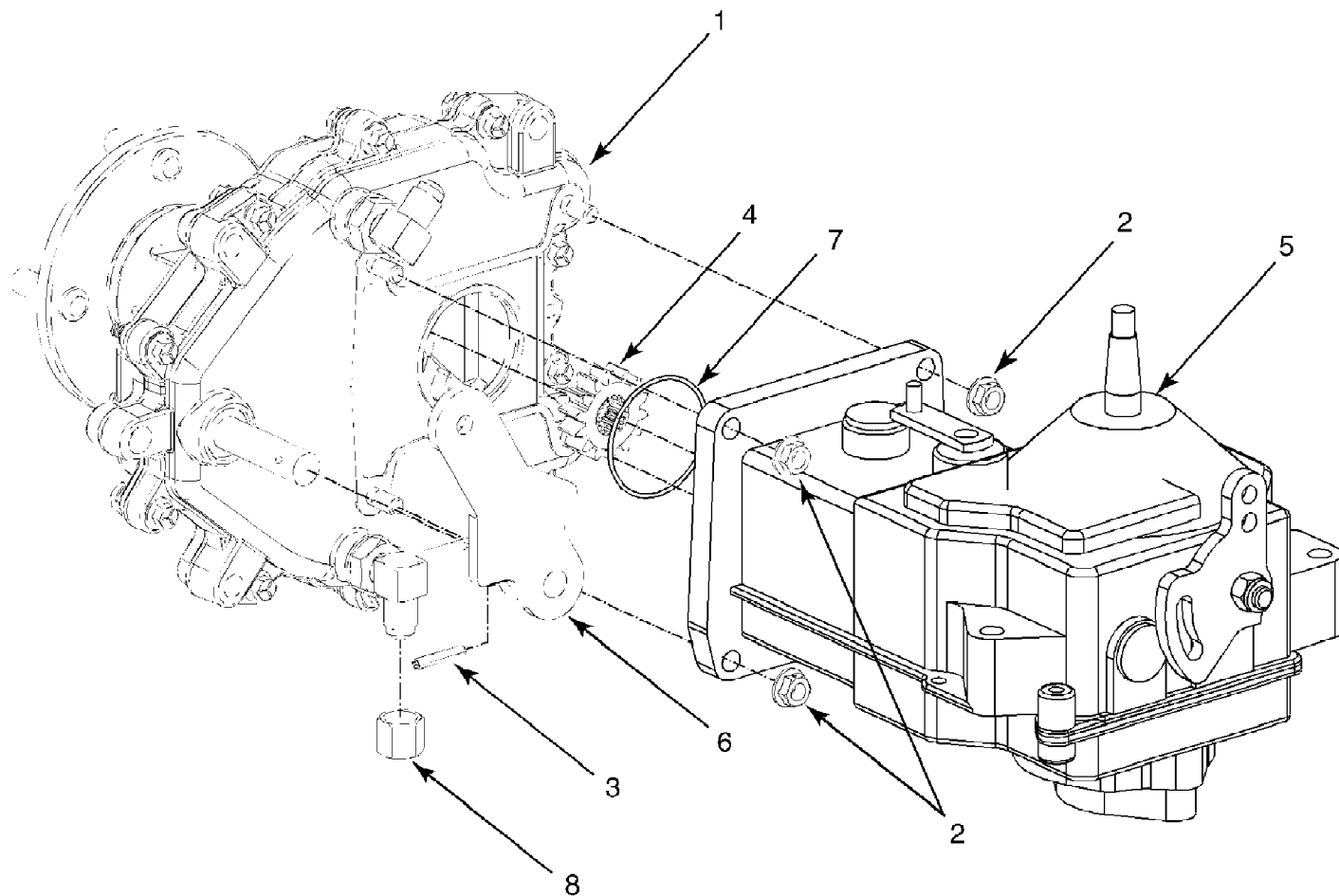




Z-180L  
Body Cover Panels

Page 9 of 48

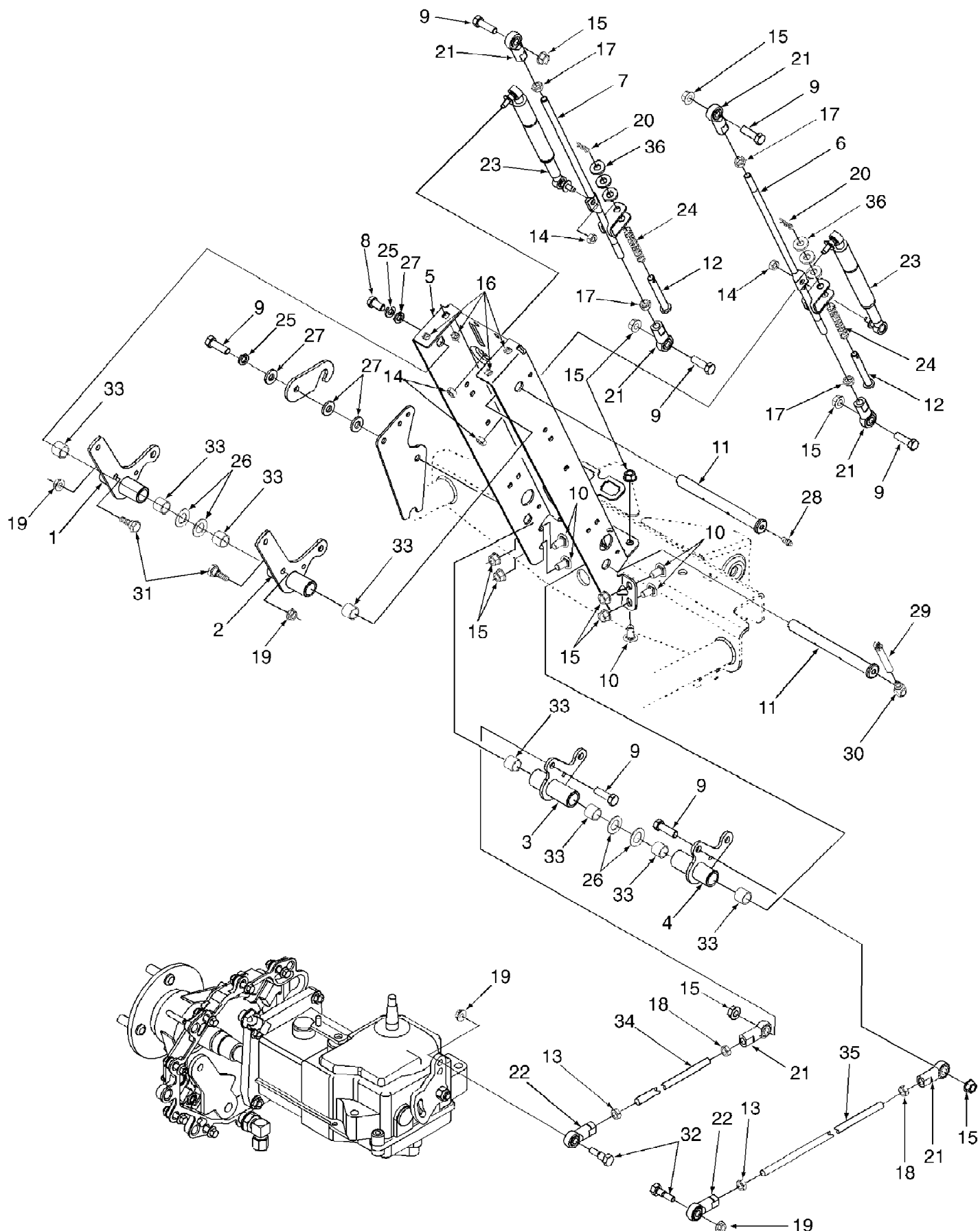
Ref #	Part Number	Qty	S/P/F	Description
1	603-0643	1		Clip Spring Bracket Ass'y
2	712-3027	2	S	Hex Lock Nut Flange 1/4-20
3	603-0578	4		Plate Ass'y, Body Mounting
4	731-3263	2	S	Handle, Control
5	703-2648	1		Bracket, Bellow Retainer
6	703-2928	2		Hinge, Body
?7	703-3078	1	S	Plate, Latch Mounting
8	710-0376	8	/P	Hex Head Screw 1/4-20 x .625
?9	710-0751	2	/P	Screw, Pan Hd, #10-24 x .625
10	710-0451	2	/P	Bolt, Carriage, 5/16-18 x .75
11	710-0642	4	/P	Screw, Hex Wash. Hd. Tap 1/4-20 x .75
12	710-0946	4	/P	Screw, Truss Machine 1/4-20 x .625 GR2
13	703-3288	1	S	Control Tube Mount Bracket
14	712-0185	4		Nut, U-Type Speed, 1/4-20
15	712-3004A	2	/P	Nut, Hex Flange Lock, 5/16-18 GR5
16	710-0276	2	/P	Carriage Screw 5/16-18 x 1.0
17	726-0106	1	S	Push Cap, 1/4
18	726-0289	2		Plug, Button
19	726-3047	4	S	Push Nut
20	720-0241	1	S	Wingnut
21	731-3128A	1		Lens, Headlight
22	731-3185	1		Bellow, Control
23	731-0051	1		Body, Front Floor Includes Ref. No. 32 & 33
24	731-0052	1		Body, Rear Engine Compartment
25	731-0053	1		Console
26	731-0055	1		Cover, Seat Base
27	731-0056A	1		Cover, LH Control Panel
28	731-0057	1		Cover, RH Control Panel
29	731-0054	1		Cover, Engine (Air Cooled)
	731-0058	1		Cover, Engine (Liquid Cooled). (Z-180L)
30	736-0242	2	/P	Bell Washer
31	738-0754	2		Shoulder Screw .437 x .54
32	735-0259	1		Pad, Floor LH
33	735-0260	1		Pad, Floor RH
34	736-0226	3	S	Washer, Flat
35	736-3039	2	S	Washer, Flat, .406 x 1.5 x .110
36	738-0296	3	S	Bolt, Shoulder
37	738-3163A	2	/P	Bolt, Shoulder, .75 x .245:3/8-16
38	747-3303	1		Rod, Prop Support
39	736-0275	3	S	Washer, Flat
40	749-3081	1		Cruise Control Tube



Z-180L  
Complete Transmission Assembly

Page 11 of 48

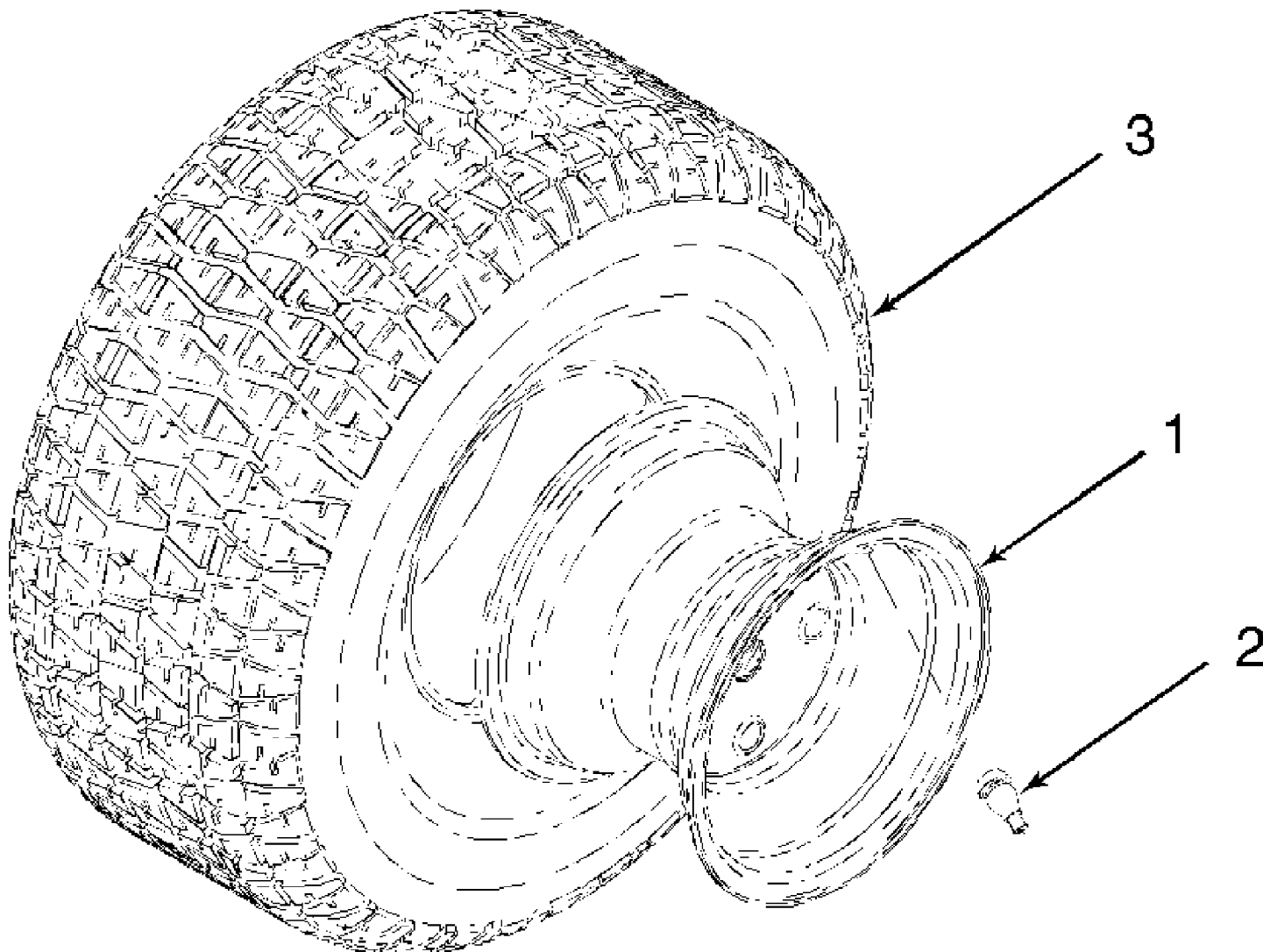
Ref #	Part Number	Qty	S/P/F	Description
1	618-3110A	2	S	Drive Ass'y, Complete Final
2	712-3004A	8	/P	Nut, Hex Flange Lock, 5/16-18 GR5
3	715-0136	2	S	Pin, Spirol, 3/16 x 1.25 HD
4	717-3396	2	S	Gear, Spur, 14T
5	717-3455	2	S	Transmission, Hydro: BDR
6	718-3053	2		Lever, Park Brake
7	721-0343	2		O-Ring, 2.0 Dia.
8	727-3125	2	S	Nut, Cap, 3/8



## Drive Controls And Support Tower

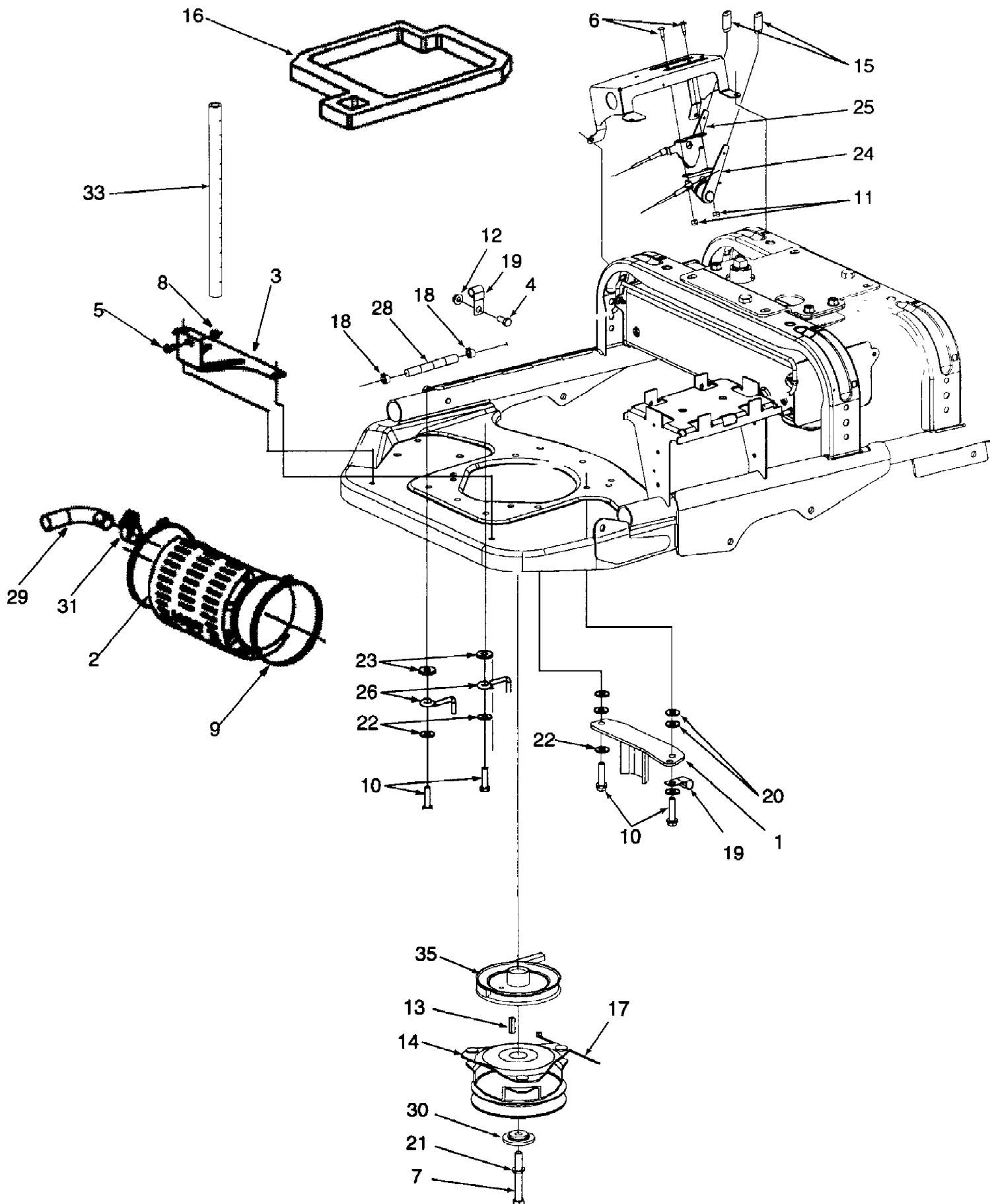
Ref #	Part Number	Qty	S/P/F	Description
1	603-0340	1	S	Bellcrank Ass'y, Upper LH Includes Ref. No. 33 (2)
2	603-0341	1	S	Bellcrank Ass'y, Upper RH Includes Ref. No. 33 (2)
3	603-0342	1	S	Bellcrank Ass'y, Lower LH Includes Ref. No. 33 (2)
4	603-0343	1	S	Bellcrank Ass'y, Lower RH Includes Ref. No. 33 (2)
5	603-0364-0648	1	S	Support Ass'y, Tower
6	603-0410	1		Rod Ass'y, Control RH
7	603-0411	1		Rod Ass'y, Control LH
8	710-3000	1	S	Screw, Hex Cap 3/8-16 x 3/4 GR5
9	710-3005	7	/P	Screw, Hex Cap 3/8-16 x 1.25 GR5
10	710-3178	6	/P	Bolt, Carriage, 3/8-16 x .75
11	711-1111	2		Shaft, Control
12	711-1124	2		Pin, .374 Dia. x 2.88 Lg.
13	712-0312	2	S	Nut, Hex Jam LH Thrd, 3/8-24
14	712-0365	4		Nut, Hex Center Lock, M8 GR8.8
15	712-0431	12	S	Nut, Hex Flange Lock, 3/8-16
16	712-0453	4		Nut, Retainer, 1/4-20
17	712-0711	4	/P	Nut, Hex Jam, 3/8-24
18	712-3001	2	S	Nut, Hex Jam, 3/8-24
19	712-3004A	4	/P	Nut, Hex Flange Lock, 5/16-18 GR5
20	714-0104	2	S	Pin, Internal Cotter
21	723-0420	6	S	Rod End, Spherical RH, 3/8-24
22	723-0421	2	S	Rod End, Spherical LH, 3/8-24
23	727-3113	2		Cylinder, Damper
24	732-3084	2		Spring, Compression
25	736-0169	2	S	Washer, Lock, 3/8
26	736-0539	4		Washer, Thrust, .625 x 1.12 x .06
27	736-3004	4	S	Washer, Flat, .406 x .875 x .105
28	737-0280	1	S	Fitting, Grease
29	737-3072	1		Fitting, Grease w/Tube
30	737-3073	1		Adapter, 90° 1/4-20 Thrd.
31	738-0296	2	S	Bolt, Shoulder, .437 Dia. x .268
32	738-3153	2		Bolt, Shoulder
33	741-3063	8		Bearing, Sleeve, .628 x .75 x .625
34	747-3281	1		Rod, Control, LH 31-5/8 Lg.
35	747-3282	1		Rod, Control, RH 35-3/8 Lg.
36	736-0300	14	S	Flat Washer .406 ID x .87 x .06
	736-3004	6	S	Flat Washer .406 ID x .87 x .105

Z-180L  
Drive Wheel



Z-180L  
Drive Wheel

Ref #	Part Number	Qty	S/P/F	Description
1	634-3031-0662	2		Rim Assembly, 8.0 x 4.85
2	734-0255	2	S	Valve, Tubeless Air
3	734-3160	2	S	Tire, 20.0 x 9.0 x 8.0





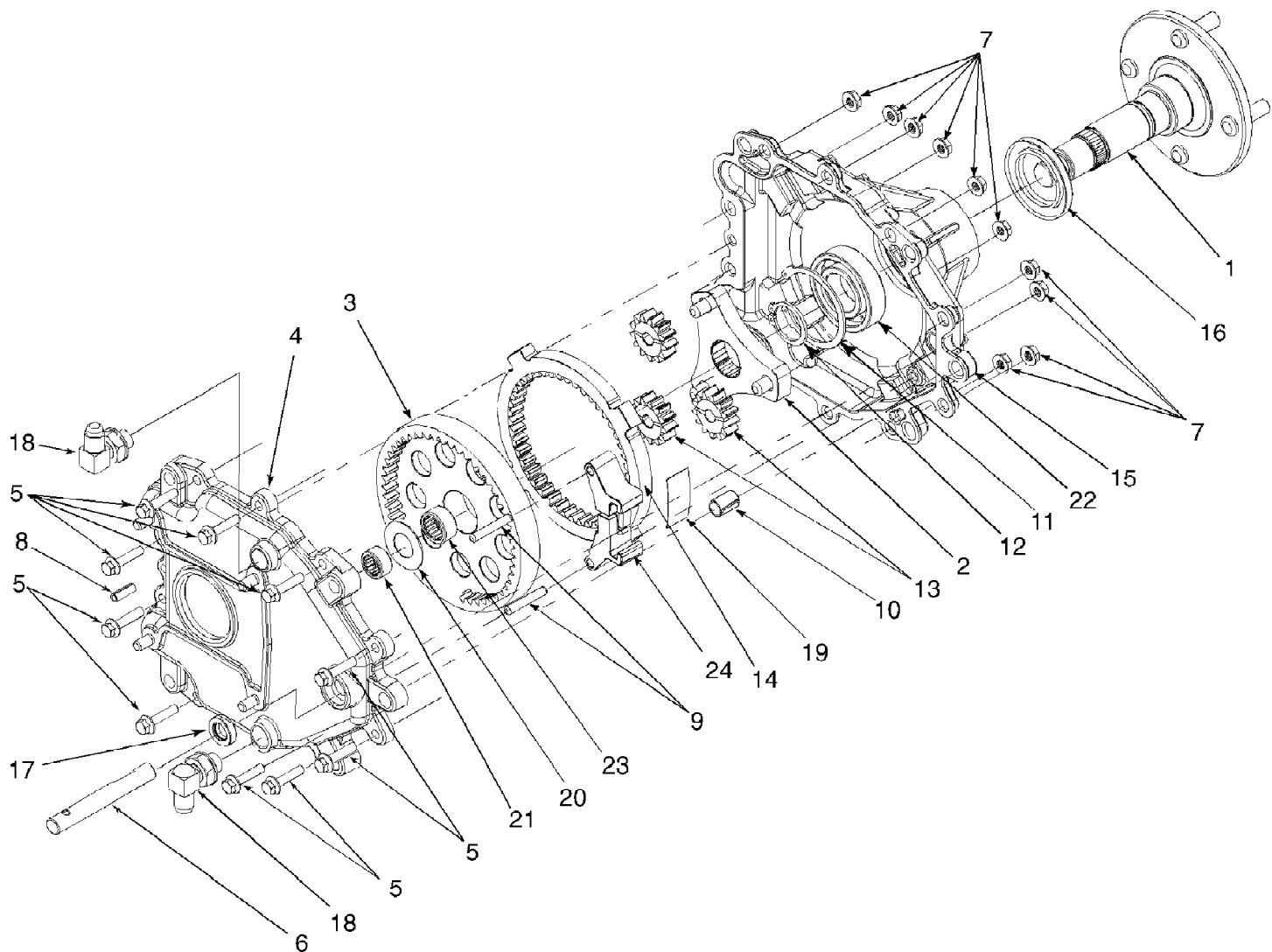
Z-180L

Page 17 of 48

Engine Mounting, Muffler, Controls &amp; PTO Clutch (Liquid Cooled Only)

Ref #	Part Number	Qty	S/P/F	Description
1	603-0317	1	S	Retainer, PTO Clutch Assembly
2	703-3014	1	S	Shield, Kawasaki Muffler
3	703-3023	1		Bracket, Muffler Mounting
4	710-0216	1	/P	Screw, Hex Cap 3/8-16 x .75
5	710-3008	1	/P	Screw, Hex Cap 5/16-18 x .75
6	710-3009	2	/P	Screw, Phil. Pan Hd, 10-24 x .75
7	710-1616	1		Screw, Hex Cap Gr 8.8 M10-1.50 x .75mm
8	712-3004A	1	/P	Nut, Hex Flanged Lock 5/16-18
9	726-0290	2		Clamp, Adj. 6.50 / 5.63 Dia.
10	710-3207	4	/P	Screw, Hex Cap, M8-1.25 x 35 Gr 8.8
11	712-0161	2	/P	Nut, Hex, #10-24
12	712-0431	1	S	Nut, Hex Flange Lock, 3/8-16
13	714-0128	1	/P	Key, Square, 1/4 x 1.0
14	717-3390	1	S	Clutch Assembly, PTO
15	720-0302	2		Knob
16	723-0473	1	S	Seal Ring, Foam Gasket
17	725-0157	1	/P	Cable Tie
18	726-0205	2	/P	Clamp, Hose
19	726-3008	3	/P	Clip, Cable
20	736-3010	4		Washer, Flat
21	736-0171	1	S	Washer, Lock, 7/16
22	736-0242	4	/P	Washer, Bell, .340 x .872 x .06
23	736-0258	2	/P	Washer, Flat, .385 x 1.0 x .135
24	746-3068	1		Cable, Choke Control
25	746-3071	1		Cable, Throttle Control
26	747-3362	2		Rod, Rear Belt Retainer
28	751-0535-33	1		Fuel Line Hose 33" Length
29	749-3074A	1		Tube, Kawasaki Muffler Exhaust
30	750-3106	1		Spacer, Clutch
31	751-3151	1		Clamp, Muffler Exhaust Tube
33	751-3141-13	1	S	Extension Hose, Oil Drain 13" Lg
35	756-3083	1		Pulley, Transmission Drive
?41	736-0250	1	/P	Washer, Flat

Z-180L  
Final Drive Assembly

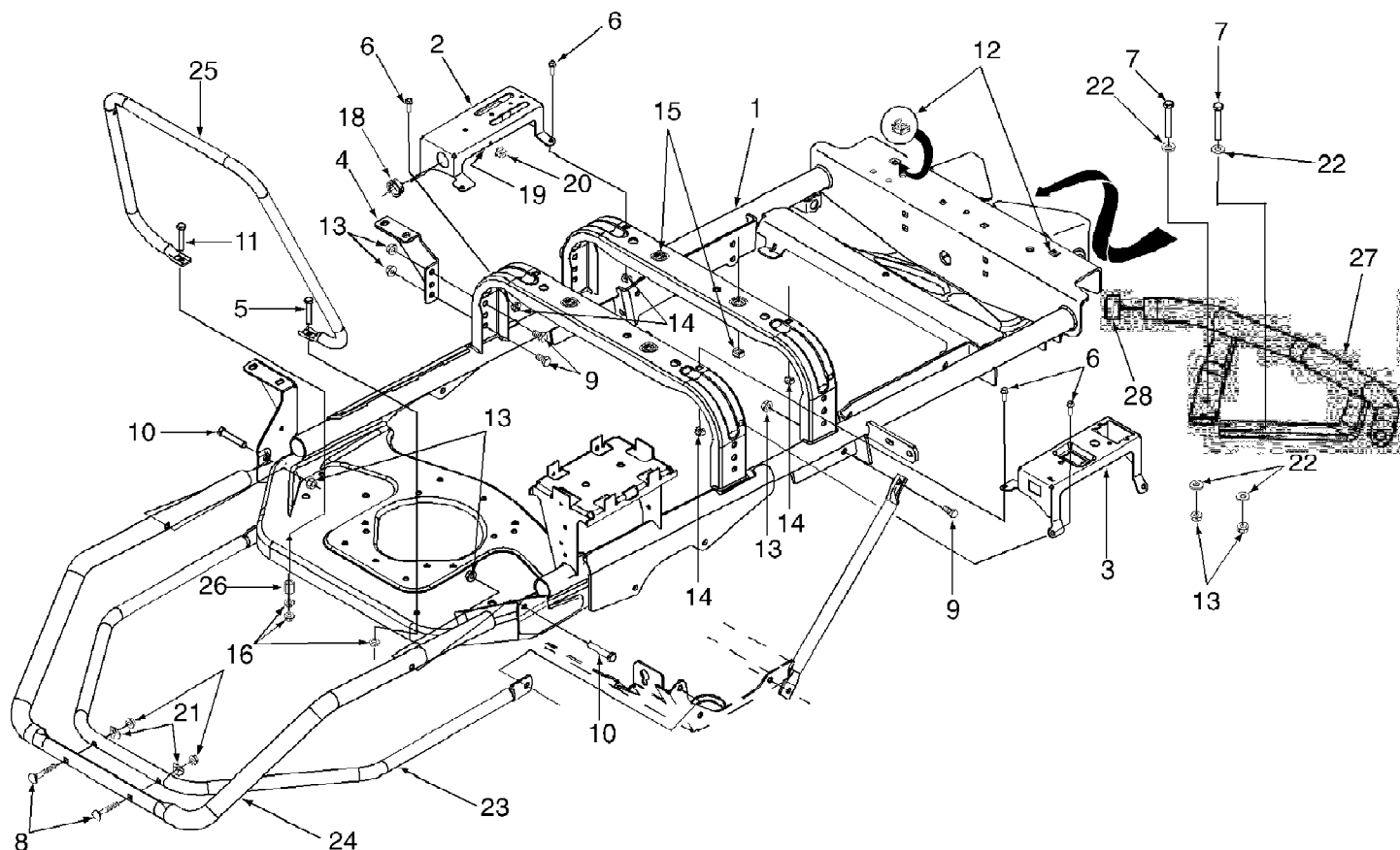


Z-180L  
Final Drive Assembly

Page 19 of 48

Ref #	Part Number	Qty	S/P/F	Description
	618-3110A	2	S	Drive Ass'y, Complete Final
1	611-3012	2	S	Axle Assembly
	710-0852	8	/P	Stud, Ribbed Neck
2	618-3106	2	S	Carrier Assembly, Output
3	618-3107	2	S	Gear Assembly, 51T Internal & 20T, Includes Ref. No. 23
4	618-3109	2	S	Housing Ass'y, Inner Includes 710-1272A (4) Rib Neck Stud. 721-0456 (4) O-Ring. and Ref. Nos. 17 & 21
5	710-1342	20		Screw, Hex Wash. Hd. 1/4-20 x 1-1/8
6	711-1048	2		Shaft, Brake
7	712-3027	20	S	Nut, Hex Flange Lock, 1/4-20
8	715-0156	2		Pin, Roll, .25 x .75
9	715-0219	4		Pin, Dowel, .250 x 1.50
10	715-3045	2	S	Bushing, Dowel
11	716-3015	2		Ring, Inverted Retaining
12	716-3018	2		Ring, Snap, 1.189 Dia. Shft.
13	717-3395	6		Gear, Spur, 13T
14	717-3397	2		Gear, Ring, 46T
15	719-3114	2	S	Housing, Axle Outer
	759-3746	AR		Sealant, Ultra Grey, Loctite
16	721-0381	2	S	Seal, Oil
17	721-0393	2		Seal, Oil
18	727-3124	4	S	Fitting, Elbow, 3/8 x 3/8
19	732-0752	2		Spring, Brake Shoe
20	736-0351	AR	S	Washer, Shim, .76 x 1.5 x .030
	736-0492	AR	S	Washer, Shim, .76 x 1.5 x .010
	736-0493	AR	S	Washer, Shim, .76 x 1.5 x .020
21	741-0665	2	/P	Bearing, Needle
22	741-3033A	2	S	Bearing, Ball
23	741-3080	2		Bearing, Needle
24	761-3049	4		Brake Shoe

Z-180L  
Frame And Attachments

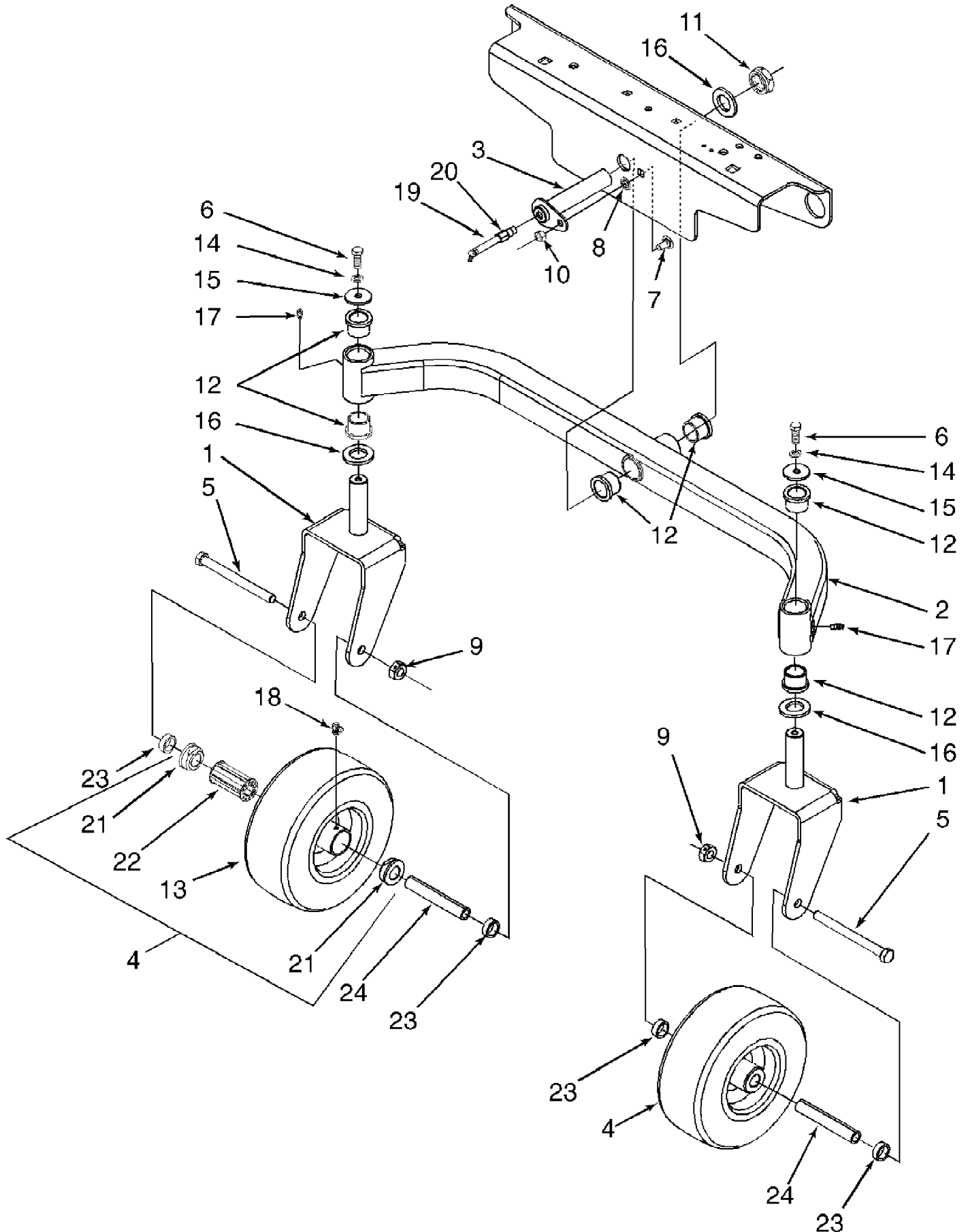


Z-180L  
Frame And Attachments

Page 21 of 48

Ref #	Part Number	Qty	S/P/F	Description
1	603-0258B	1		Frame
2	603-0424	1	S	Panel, Control LH
3	603-0425	1		Panel, Control RH
4	703-2783	1	S	Bracket, Fuel Tank Mounting
5	710-0376	1	/P	Screw, Hex Cap 5/16-18 x 1.0 GR5
6	710-0642	8	/P	Screw, Hex Wash. Hd. Tapp 1/4-20 x .625
7	710-0520	4	/P	Screw, Hex Cap 3/8-16 x 1.50 GR5
8	710-1174	2	/P	Screw, Curved Hd. Carriage 5/16-18 x 2.02
9	710-0216	4	/P	Screw, Hex Cap 3/8-16 x 3/4 GR5
10	710-3144	2	/P	Screw, Hex Cap 3/8-16 x 2 GR5
11	710-3180	1	/P	Screw, Hex Cap 5/16-18 x 1.75 GR5
12	712-0251	2		Nut, Retainer, 3/8-16
13	712-0431	10	S	Nut, Hex Flange Lock, 3/8-16
14	712-0453	8		Nut, Retainer, 1/4-20
15	712-0455	4		Nut, Retainer, 3/8-16
16	712-3004A	5	/P	Nut, Hex Flange Lock, 5/16-18 GR5
?17	719-3130	1		Weight, Frame Counter
18	723-3042	1		Snap Bushing
19	728-0117	1		Rivet, Pop, .125
20	732-0830	1	S	Clip, Spring
21	736-0451	2	S	Washer, Saddle
22	736-3004	8	S	Washer, Flat, .406 x .875 x .105
23	749-3061	1		Bumper, Lower Tube
24	749-3062	1		Bumper, Upper Tube
25	749-3082	1	S	Tube, Engine Compartment Support
26	750-3200	1		Spacer
27	603-0620	1		Bumper, Front
28	726-0298	2		End Cap

Z-180L  
Front Axle & Tire Assembly



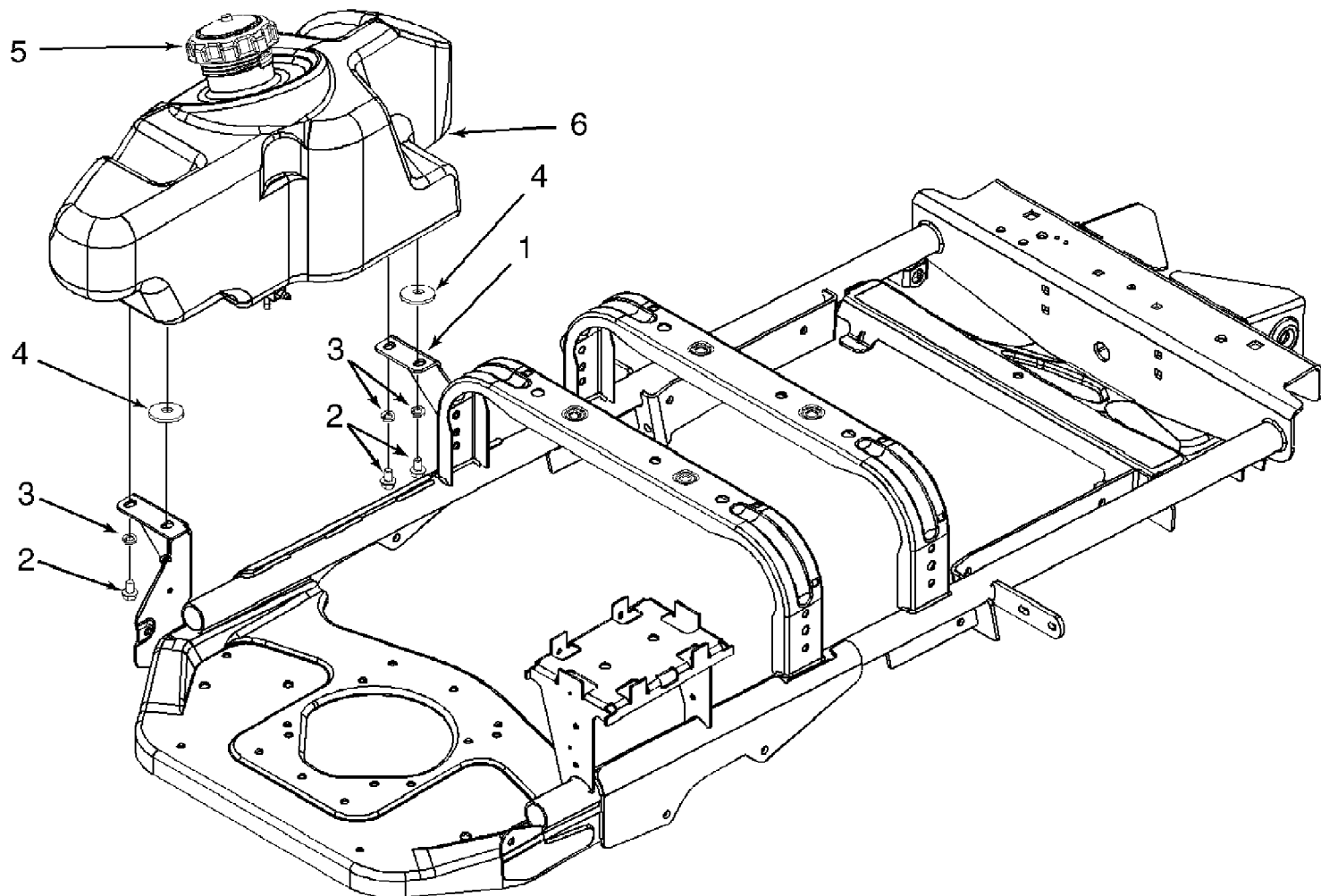
Z-180L

Page 23 of 48

## Front Axle &amp; Tire Assembly

Ref #	Part Number	Qty	S/P/F	Description
1	603-0363	2		0498 Bracket, Castor Wheel
2	603-0382	1	S	0498 Axle Ass'y, Front, Includes Ref. 12 (6) & 17 (2)
3	603-0389A	1		Pin Ass'y, Pivot
4	634-0121	2		Wheel Ass'y, 9.0 x 3.70-4 Includes Ref No. 13, 18, 21 & 22
5	710-0506	2	/P	Screw, Hex Cap, 1/2-20 x 5.5
6	710-0514	2	/P	Screw, Hex Cap, 3/8-16 x 1.0 GR5
7	710-3178	1	/P	Bolt, Carriage, 3/8-16 x .75
8	712-0229	1		Push Nut, Retainer, 3/8 ID
9	712-0239	2	S	Nut, Hex Center Lock, 1/2-20
10	712-0431	1	S	Nut, Hex Flange Lock, 3/8-16
11	712-3075	1	/P	Nut, Hex Lock, 1.0-14
12	731-0374	6	S	Bearing, Flange, 1.0 ID
13	734-3179	2		Tire, Urethane, Only
14	736-0169	2	S	Washer, Lock 3/8
15	736-0227	2	S	Washer, Flat, .39 x 1.5 x .134
16	736-0274	3	S	Washer, Special Flat
17	737-0280	2	S	Fitting, Grease
18	737-3004	2	/P	Fitting, Grease, 90° Tap 1/4-28
19	737-3072	1		Fitting, Grease, 65° w/Extension
20	737-3090	1	S	Adapter, 1/8 NPTF x 1/8 NPTF
21	741-3069	4		Bearing, Flange
22	741-3070	2	S	Bearing, Roller
23	750-0456	4	S	Spacer, .79 ID x .347 Lg
24	750-3197	2	S	Spacer, Wheel

Z-180L  
Fuel Tank

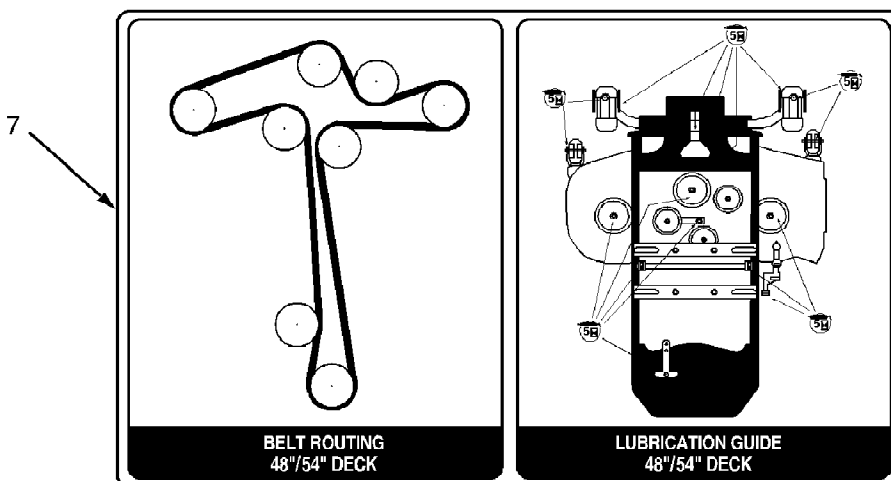
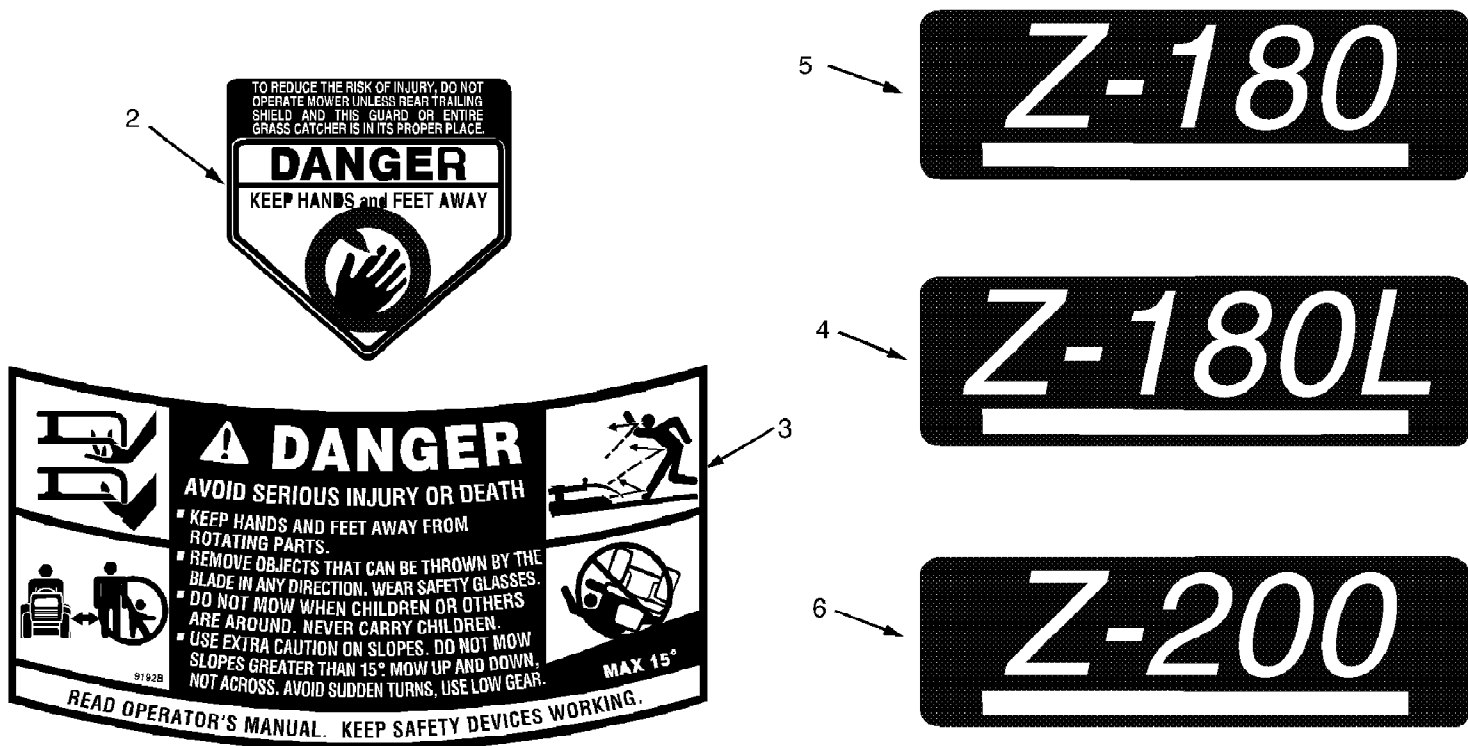




Z-180L  
Fuel Tank

Page 25 of 48

Ref #	Part Number	Qty	S/P/F	Description
1	703-2783-0648	1	S	Bracket, Fuel Tank Mounting
2	710-0870	4	/P	Screw, Hex Cap, 3/8-16 x .62 GR5
3	736-0169	4	S	Washer, Lock, 3/8
4	736-0227	2	S	Washer, Flat, .390 x 1.5 x .10
5	751-3124B	1	S	Cap, Fuel
6	751-3143	1		Fuel Tank

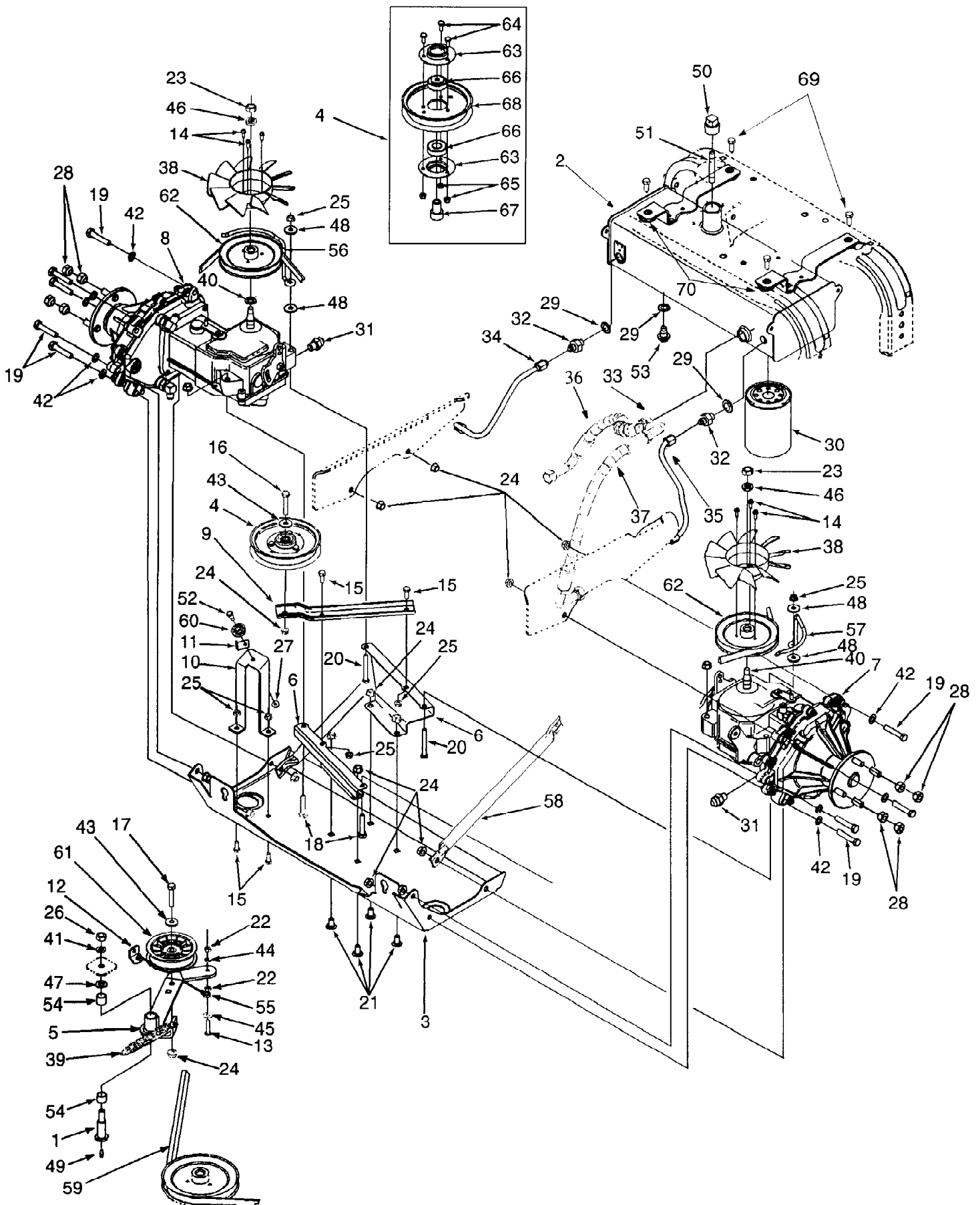


Ref #	Part Number	Qty	S/P/F	Description
1	777-1426	1	S	Label, Danger - Top of Deck
2	777-1584	1	S	Label, Danger - Top of Deflector Chute
3	777-9192B	1	S	Label, Safety - Top of Deck
4	777-5060	1		Label, model - Front Steering Console
5	777-5061	1		Label, model - Front Steering Console
6	777-5062	1		Label, model - Front Steering Console
7	777-5607	1		Label, Information - Under Belt Cover

Z-180L

Page 28 of 48

Hydraulic Drive, Lines And Filter Mfg. Date 4-20-98 And After



Z-180L

Page 29 of 48

Hydraulic Drive, Lines And Filter Mfg. Date 4-20-98 And After

Ref #	Part Number	Qty	S/P/F	Description
1	738-3108	1	/P	Shoulder Bolt, Special
2	603-0639-0648	1		Tank Ass'y, Hydraulic
	737-3055	11 qt.	S	Oil, Drive System
3	603-0358B-0648	1		Plate Ass'y, Skid
4	603-0362	1	S	Pulley Ass'y, Idler 5.0 in.
5	603-0377A	1	S	Arm Ass'y, Idler Includes Ref. No. 54 (2)
6	603-0450	2	S	Support Ass'y, Pump
7		1		Transmission Ass'y RH See Component Lists
8		1		Transmission Ass'y LH See Component Lists
9	703-2888	1	S	Bracket, Idler
10	703-3168	1		Bracket, Pulley Mounting
11	703-3169	1		Bracket, Cable Retainer
12	703-3174	1		Bracket, Cable Mtg.
13	710-0428	1		Screw, Hex Cap 1/4-28 x 1.25 GR5
14	710-1189	6		Screw, Hex Wash. Hd. Tapp #12-24 x .62
15	710-3008	4	/P	Screw, Hex Cap 5/16-18 x .75 GR5
16	710-3011	1	/P	Screw, Hex Cap 3/8-16 x 2-1/4 GR5
17	710-0347	1	/P	Screw, Hex Cap 3/8-16 x 1-3/4 GR5
18	710-3103	2	/P	Screw, Hex Cap 5/16-18 x 2.0 GR5
19	710-3144	10	/P	Screw, Hex Cap 3/8-16 x 2.0 GR5
20	710-3156	2		Screw, Hex Cap 5/16-18 x 2.50 GR5
21	710-3178	4	/P	Bolt, Carriage, 3/8-16 x .75
22	712-0138	2	S	Nut, Hex, 1/4-28
23	712-0333	2	S	Nut, Hex, 1/2-20
24	712-0431	16	S	Nut, Hex Flange Lock, 3/8-16
25	712-3004A	12	/P	Nut, Hex Flange Lock, 5/16-18 GR5
26	712-3019	1	S	Nut, Hex, 7/16-14
27	712-0117	1	S	Nut, Hex Lock, 1/4-20
28	712-3050	8	/P	Nut, Lug, 7/16-14
29	721-0223	3	S	Seal, Drain Plug
30	723-3071	1		Filter Element, Oil
31	727-3100	2	S	Fitting, Connector, 1/2 x 3/8
32	727-3116	2	S	Fitting, Connector
33	727-3155	1		Fitting, Tee, 1/2 x 1/2 x 3/4
34	727-3120	1		Tube, Inlet LH
35	727-3121A	1		Tube, Inlet RH
36	727-3153	1		Hose, Outlet LH
37	727-3154	1		Hose, Outlet RH
38	731-1449A	2	S	Fan, 10 Blade
39	732-0478	1	S	Spring, Extension
40	732-0729	2	/P	Wire Ring
41	736-0171	1	S	Washer, Lock, 7/16
42	736-0185	10	S	Washer, Flat, .406 x .75 x .06
43	736-0258	2	/P	Washer, Flat, .385 x 1.0 x .135
44	736-0329	1	S	Washer, Lock, 1/4 ID
45	736-0342	1		Washer, Flat, .283 x .75 x .030
46	736-0921	2	S	Washer, Lock, 1/2
47	736-3015	1	S	Washer, Flat, .469 x .875 x .105
48	736-3089	4	/P	Washer, Flat, 5/16 x .934 x .100
49	737-0280	1	S	Fitting, Grease
50	737-3069	1		Plug, Pipe, w/Vent 3/4 NPTF
51	737-3070A	1		Tube, Dipstick
52	738-0924	1	S	Shoulder Bolt, 1/4-28: .375

Z-180L

Page 30 of 48

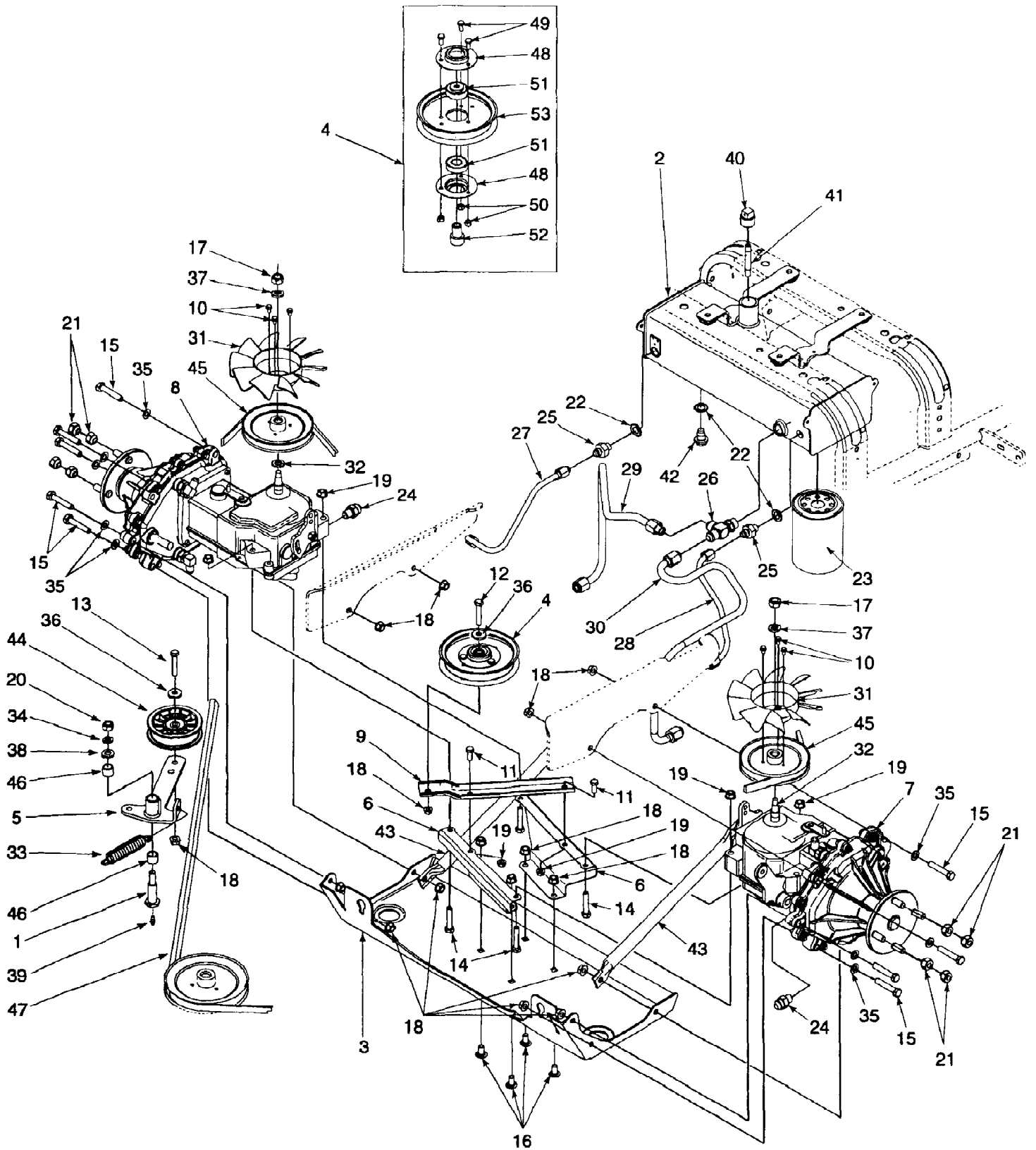
Hydraulic Drive, Lines And Filter Mfg. Date 4-20-98 And After

Ref #	Part Number	Qty	S/P/F	Description
53	738-0940	1	/P	Plug, Oil Drain
54	741-3063	2		Bearing, Sleeve, .628 x .75 x .625
55	746-3080	1		Cable, Declutching
	746-3082	1		Cable, Declutching (Liquid Cooled). (Z-180L)
56	747-3360	1	S	Rod, Belt Retaining RH
57	747-3361	1		Rod, Belt Retaining LH
58	749-3040-0648	2		Strut, Frame
59	754-3076	1	S	V-Belt, Transmission Drive A-Section x 54.24 Lg
	754-3077	1	S	V-Belt, Transmission Drive A-Section x 54.24 Lg (Liquid Cooled)
60	756-0625	1		Cable Roller
61	756-0627	1	S	Pulley, Flat Idler 3.5 in.
62	756-0974	2	/P	Pulley, Transmission
63	703-2907	2		Cup, Bearing
64	710-0751	3	/P	Screw, Hex Cap, 1/4-20 x .62 GR5
65	712-0324	3	/P	Nut, Hex Insert Lock, 1/4-20
66	741-0600	2	S	Bearing, Ball
67	750-3176	1		Spacer, Idler
68	756-3085	1		Pulley, Idler 5.0 in.
69	710-0870	4	/P	Hex Head / Wsh 3/8-16 x .625
70	712-0455	4		Retainer Nut 3/8-16

Z-180L

Page 31 of 48

Hydraulic Drive, Lines And Filter Mfg. Date 6-30-97 And Before



Z-180L

Page 32 of 48

Hydraulic Drive, Lines And Filter Mfg. Date 6-30-97 And Before

Ref #	Part Number	Qty	S/P/F	Description
1	738-3108	1	/P	Shoulder Bolt Special
2	603-0344	1	S	Tank Ass'y, Hydraulic
	737-3055	11 qt.	S	Oil, Drive System
3	603-0358A	1	S	Plate Ass'y, Skid
4	603-0362	1	S	Pulley Ass'y, Idler 5.0 in.
5	603-0377	1	S	Arm Ass'y, Idler Includes Ref. No. 46 (2)
6	603-0450	2	S	Support Ass'y, Pump
7		1		Transmission Ass'y RH See Component Lists
8		1		Transmission Ass'y LH See Component Lists
9	703-2888	1	S	Bracket, Idler
10	710-1189	6		Screw, Hex Wash. Hd. Tapp #12-24 x .625
11	710-3008	2	/P	Screw, Hex Cap .5/16-18 x .75 GR5
12	710-3011	1	/P	Screw, Hex Cap 3/8-16 x 2-1/4 GR5
13	710-3037	1	S	Screw, Hex Cap 3/8-16 x 1-3/4 GR5
14	710-3103	4	/P	Screw, Hex Cap 5/16-18 x 2.0 GR5
15	710-3144	10	/P	Screw, Hex Cap 3/8-16 x 2.0 GR5
16	710-3178	4	/P	Bolt, Carriage, 3/8-16 x .75
17	712-0333	2	S	Nut, Hex, 1/2-20
18	712-0431	16	S	Nut, Hex Flange Lock, 3/8-16
19	712-3004A	6	/P	Nut, Hex Flange Lock, 5/16-18 GR5
20	712-3019	1	S	Nut, Hex, 7/16-14
21	712-3050	8	/P	Nut, Lug, 7/16-14
22	721-0223	3	S	Seal, Drain Plug
23	723-3071	1		Filter Element, Oil
24	727-3100	2	S	Fitting, Connector, 1/2 x 3/8
25	727-3116	2	S	Fitting, Connector
26	727-3118	1		Fitting, Tee, 1/2 x 1/2 x 3/4
27	727-3120	1		Tube, Inlet LH
28	727-3121	1		Tube, Inlet RH
29	727-3122	1		Tube, Outlet LH
30	727-3123	1		Tube, Outlet RH
31	731-1449A	2	S	Fan, 10 Blade
32	732-0729	2	/P	Wire Ring
33	732-0826	1	S	Spring, Extension
34	736-0171	1	S	Washer, Lock, 7/16
35	736-0185	10	S	Washer, Flat, .406 x .75 x .06
36	736-0256	2	S	Washer, Flat, .385 x 1.0 x .135
37	736-0921	2	S	Washer, Lock, 1/2
38	736-3015	1	S	Washer, Flat, .469 x .875 x .105
39	737-0280	1	S	Fitting, Grease
40	737-3069	1		Plug, Pipe, w/Vent 3/4 NPTF
41	737-3070	1		Tube, Dipstick
42	738-0940	1	/P	Plug, Oil Drain
43	749-3040	2		Strut, Frame
44	756-0627	1	S	Pulley, Flat Idler 3.5 in.
45	756-0974	2	/P	Pulley, Transmission
46	741-3063	2		Bearing, Sleeve, .628 x .75 x .625
47	754-3076	1	S	V-Belt, Transmission Drive A-Section x 54.24 Lg
48	703-2907	2		Cup, Bearing
49	710-0751	3	/P	Screw, Hex Cap, 1/4-20 x .62 GR5
50	712-0324	3	/P	Nut, Hex Insert Lock, 1/4-20



Z-180L

Page 33 of 48

Hydraulic Drive, Lines And Filter Mfg. Date 6-30-97 And Before

---

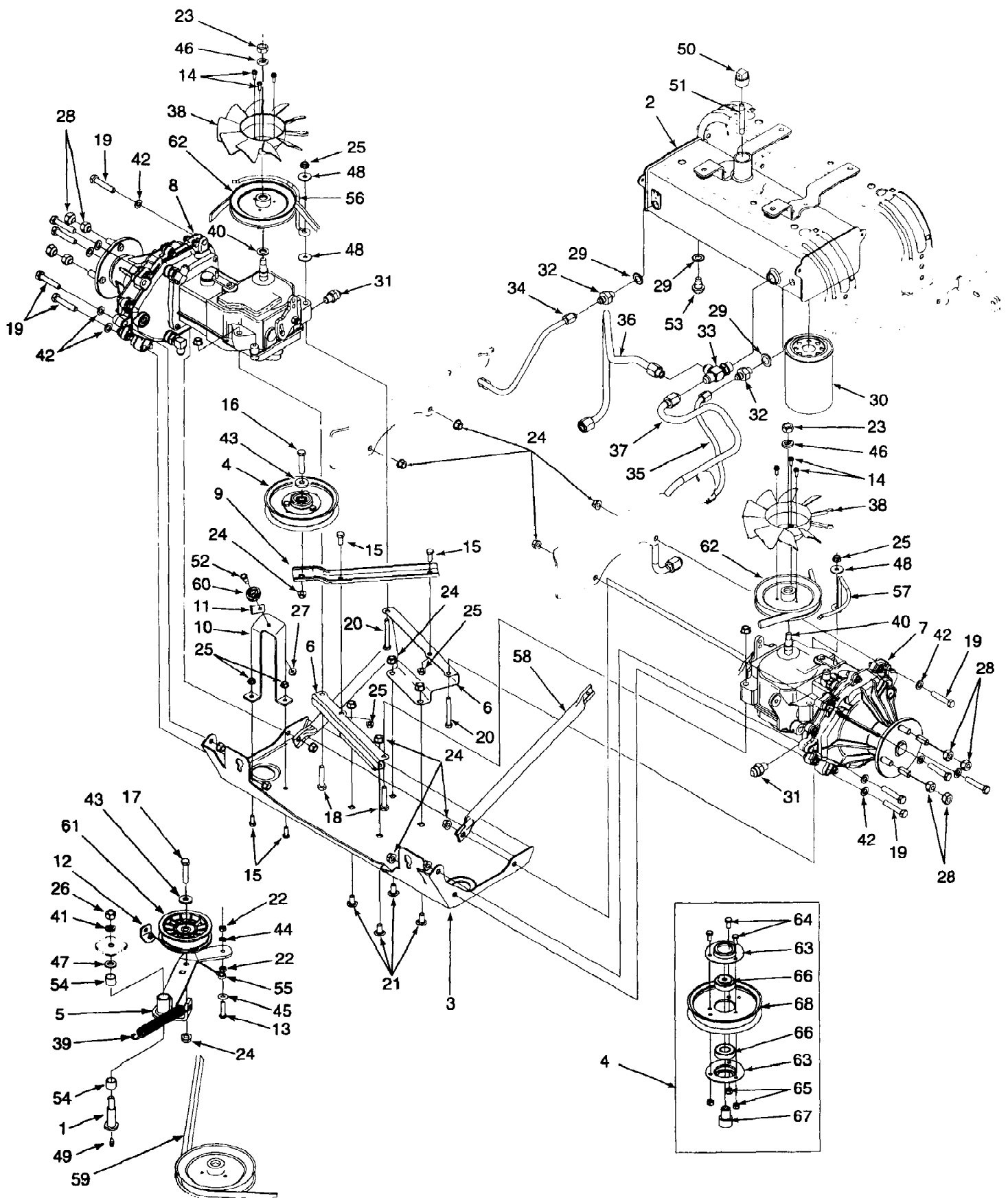
Ref #	Part Number	Qty	S/P/F	Description
51	741-0600	2	S	Bearing, Ball
52	750-3176	1		Spacer, Idler
53	756-3085	1		Pulley, Idler 5.0 in.

---

Z-180L

Page 34 of 48

Hydraulic Drive, Lines And Filter Mfg. Date 7-1-97 Thru 4-19-98



Z-180L

Page 35 of 48

Hydraulic Drive, Lines And Filter Mfg. Date 7-1-97 Thru 4-19-98

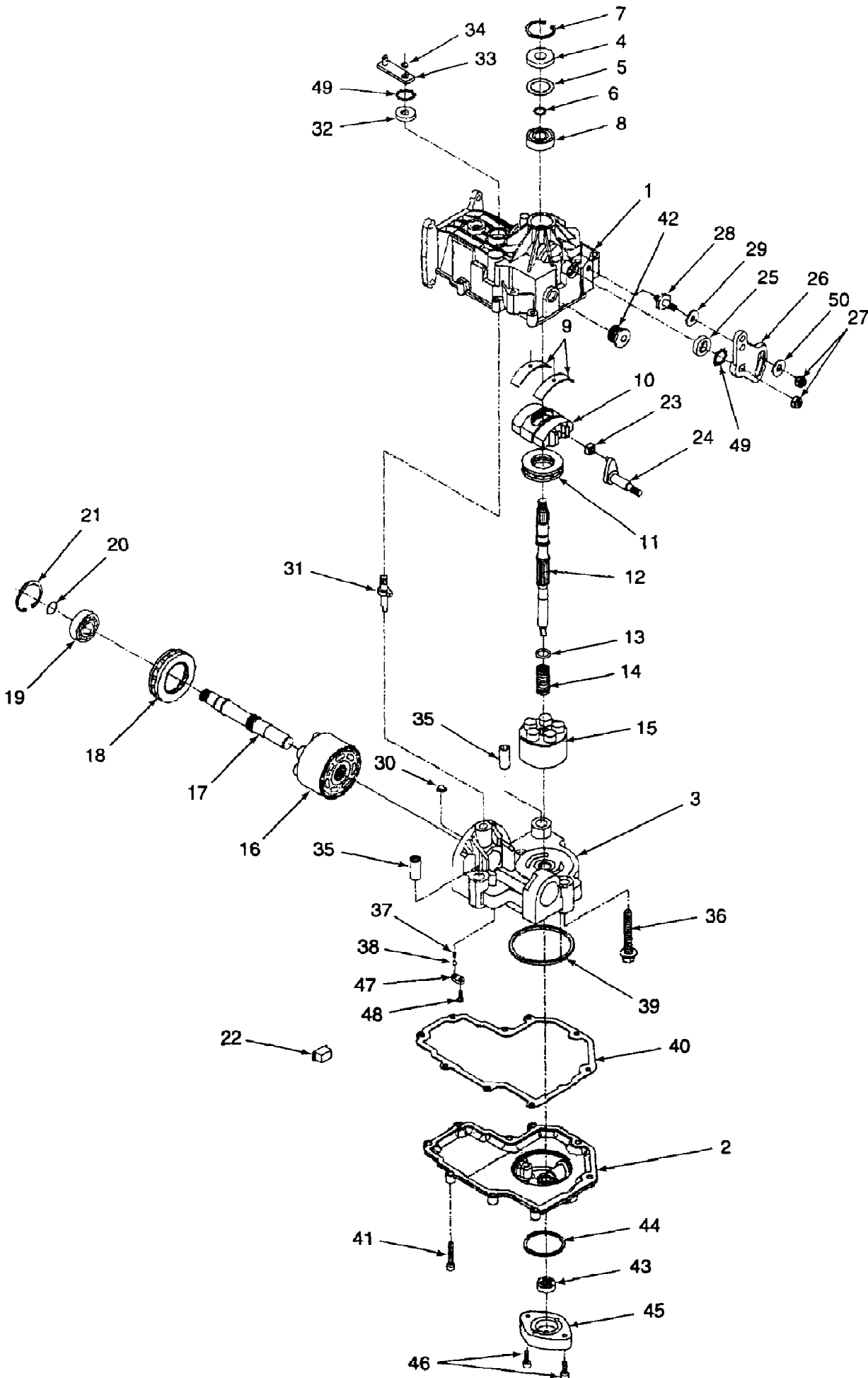
Ref #	Part Number	Qty	S/P/F	Description
1	738-3108	1	/P	Shoulder Bolt, Special
2	603-0344	1	S	Tank Ass'y, Hydraulic
	737-3055	11 qt.	S	Oil, Drive System
3	603-0358B	1	S	Plate Ass'y, Skid
4	603-0362	1	S	Pulley Ass'y, Idler 5.0 in.
5	603-0377A	1	S	Arm Ass'y, Idler Includes Ref. No. 54 (2)
6	603-0450	2	S	Support Ass'y, Pump
7		1		Transmission Ass'y RH See Component Lists
8		1		Transmission Ass'y LH See Component Lists
9	703-2888	1	S	Bracket, Idler
10	703-3168	1		Bracket, Pulley Mounting
11	703-3169	1		Bracket, Cable Retainer
12	703-3174	1		Bracket, Cable Mtg.
13	710-0428	1		Screw, Hex Cap 1/4-28 x 1.25 GR5
14	710-1189	6		Screw, Hex Wash. Hd. Tapp #12-24 x .62
15	710-3006	4	/P	Screw, Hex Cap 5/16-18 x .75 GR5
16	710-3011	1	/P	Screw, Hex Cap 3/8-16 x 2-1/4 GR5
17	710-0347	1	/P	Screw, Hex Cap 3/8-16 x 1-3/4 GR5
18	710-3103	2	/P	Screw, Hex Cap 5/16-18 x 2.0 GR5
19	710-3144	10	/P	Screw, Hex Cap 3/8-16 x 2.0 GR5
20	710-3156	2		Screw, Hex Cap 5/16-18 x 2.50 GR5
21	710-3178	4	/P	Bolt, Carriage, 3/8-16 x .75
22	712-0138	2	S	Nut, Hex, 1/4-28
23	712-0333	2	S	Nut, Hex, 1/2-20
24	712-0431	16	S	Nut, Hex Flange Lock, 3/8-16
25	712-3004A	8	/P	Nut, Hex Flange Lock, 5/16-18 GR5
26	712-3019	1	S	Nut, Hex, 7/16-14
27	712-0117	1	S	Nut, Hex Lock, 1/4-28
28	712-3050	8	/P	Nut, Lug, 7/16-14
29	721-0223	3	S	Seal, Drain Plug
30	723-3071	1		Filter Element, Oil
31	727-3100	2	S	Fitting, Connector, 1/2 x 3/8
32	727-3116	2	S	Fitting, Connector
33	727-3118	1		Fitting, Tee, 1/2 x 1/2 x 3/4
34	727-3120	1		Tube, Inlet LH
35	727-3121	1		Tube, Inlet RH
36	727-3122	1		Tube, Outlet LH
37	727-3123	1		Tube, Outlet RH
38	731-1449A	2	S	Fan, 10 Blade
39	732-0478	1	S	Spring, Extension
40	732-0729	2	/P	Wire Ring
41	736-0171	1	S	Washer, Lock, 7/16
42	736-0185	10	S	Washer, Flat, .406 x .75 x .06
43	736-0256	2	S	Washer, Flat, .385 x 1.0 x .135
44	736-0329	1	S	Washer, Lock, 1/4 ID
45	736-0342	1		Washer, Flat, .283 x .75 x .030
46	736-0921	2	S	Washer, Lock, 1/2
47	736-3015	1	S	Washer, Flat, .469 x .875 x .105
48	736-3089	4	/P	Washer, Flat, 5/16 x .934 x .100
49	737-0280	1	S	Fitting, Grease
50	737-3069	1		Plug, Pipe, W/Vent 3/4 NPTF
51	737-3070	1		Tube, Dipstick
52	738-0924	1		Shoulder Bolt, 1/4-28: .375

Z-180L

Page 36 of 48

Hydraulic Drive, Lines And Filter Mfg. Date 7-1-97 Thru 4-19-98

Ref #	Part Number	Qty	S/P/F	Description
53	738-0940	1	/P	Plug, Oil Drain
54	741-3063	2		Bearing, Sleeve, .628 x .75 x .625
55	746-3080	1		Cable, Declutching
56	747-3360	1	S	Rod, Belt Retaining RH
57	747-3361	1		Rod, Belt Retaining LH
58	749-3040	2		Strut, Frame
59	754-3076	1	S	V- Belt, Transmission Drive A-Section x 54.24 Lg
60	756-0625	1		Cable Roller
61	756-0627	1	S	Pulley, Flat Idler 3.5 in.
62	756-0974	2	/P	Pulley, Transmission
63	703-2907	2		Cup, Bearing
64	710-0751	3	/P	Screw, Hex Cap, 1/4-20 x .62 GR5
65	712-0324	3	/P	Nut, Hex Insert Lock, 1/4-20
66	741-0600	2	S	Bearing, Ball
67	750-3176	1		Spacer, Idler
68	756-3085	1		Pulley, Idler 5.0 in.

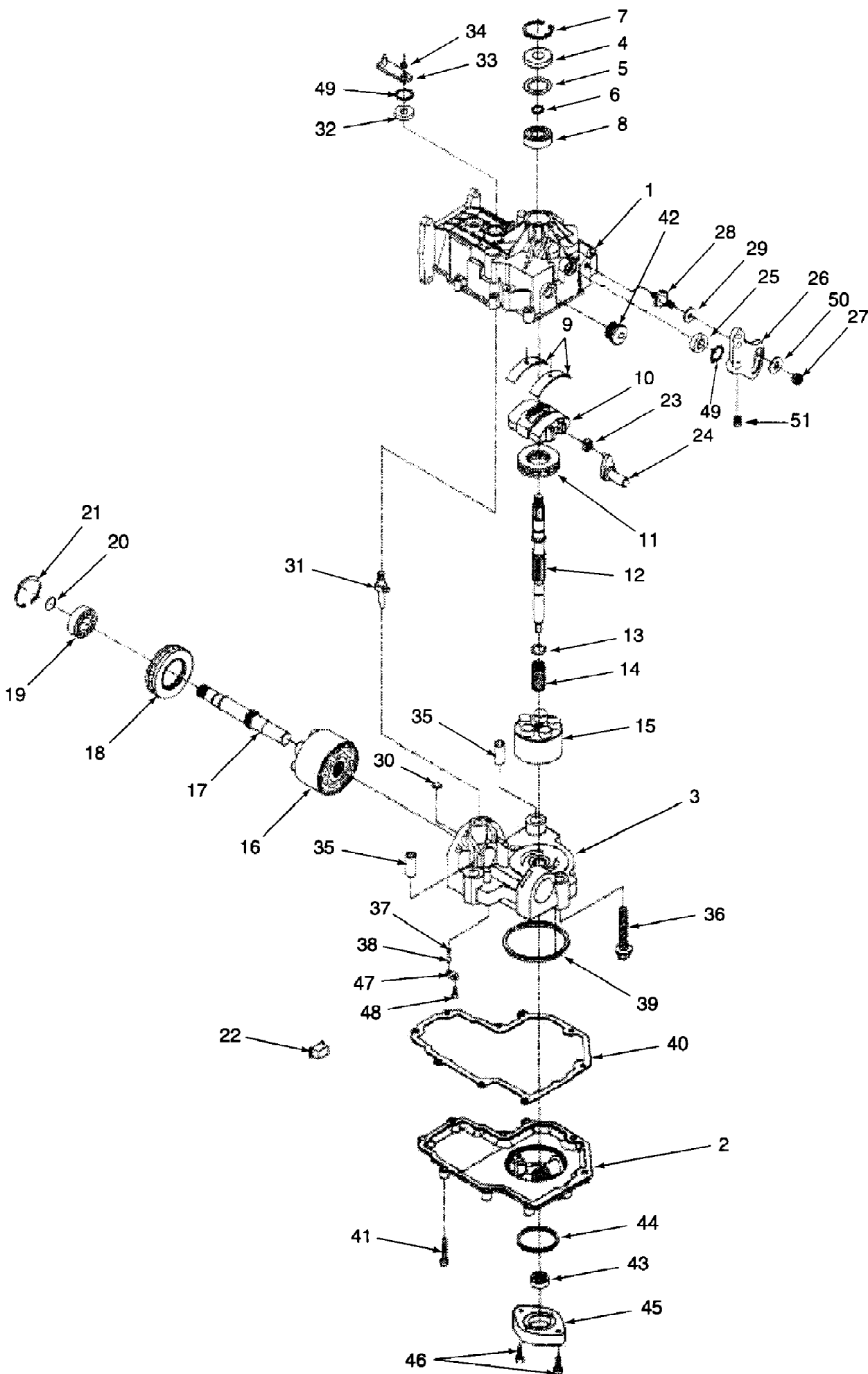


Z-180L

Page 38 of 48

Hydrostatic Transmission (P/N 717-3402)

Ref #	Part Number	Qty	S/P/F	Description
	717-3402	2	S	Transmission Ass'y, Hydro (BDR-301)
1	HG-70304	2		Housing Ass'y, Upper
2	HG-50301	2		Housing, Lower
3	HG-70299	2	S	Center Section Assembly
4	HG-9008000-0128	2	/P	Seal, Lip
5	HG-2003018	2	/P	Spacer
6	HG-2003016	2	/P	Ring, Wire Retaining
7	HG-2003052	2	/P	Ring, Retaining
8	HG-2003043	2	S	Bearing, Ball
9	HG-2003023	4	S	Bearing, Cradle
10	HG-2003087	2	/P	Swashplate, Variable
11	HG-50551	2	S	Bearing, Thrust
12	HG-50303	2		Shaft, Input
13	HG-2003017	2	/P	Washer, Block Thrust
14	HG-2003014	2	/P	Spring, Block
15	HG-70079	2	S	Block Assembly, Cylinder
16	HG-70082	2	/P	Block Assembly, Cylinder
17	HG-50304	2		Shaft, Output (Motor)
18	HG-50552	2	/P	Bearing, Thrust
19	741-0361	2	S	Bearing, Ball
20	HG-2000022	2	/P	Ring, Wire Retaining
21	HG-50329	2	/P	Ring, Retaining
22	HG-50649	2		Retainer, Motor Bearing
23	HG-2000015	2	/P	Guide, Slot
24	HG-2003005	2	/P	Arm, Trunnion
25	HG-9008000-0126	2	/P	Seal, Lip
26	HG-45007	2	/P	Arm, Control
27	712-0237	3	S	Nut, Hex Lock, 5/16-24
28	HG-50426	2		Stud, Short, 5/16-24
29	HG-50281	2		Puck, Friction
30	HG-2003554	2	S	Plate, Bypass
31	HG-2003555	2		Actuator, Bypass
32	HG-45074	2	/P	Seal, Lip
33	HG-50270	2		Arm, Bypass
34	HG-44870	2		Ring, Retaining
35	HG-50002	4	/P	Pin
36	HG-50016	6		Screw
37	HG-2000029	2		Spring, Charge Relief
38	HG-9001214-2500	2		Ball
39	HG-50578	2	/P	O-Ring
40	HG-50331	2	/P	Gasket
41	HG-44876	18	/P	Screw, Self Tapping
42	HG-9005110-8700	2	/P	Plug, Drain
43	HG-50273	2	/P	Gerotor Assembly
44	HG-9004101-1340	2	/P	O-Ring
45	HG-50260	2		Cover, Gerotor
46	HG-50095	4		Screw
47	HG-50651	2		Plate, Relief
48	HG-50653	2	/P	Screw
49	HG-50650	4		Ring, Retaining
50	736-0371	2	/P	Washer



Z-180L

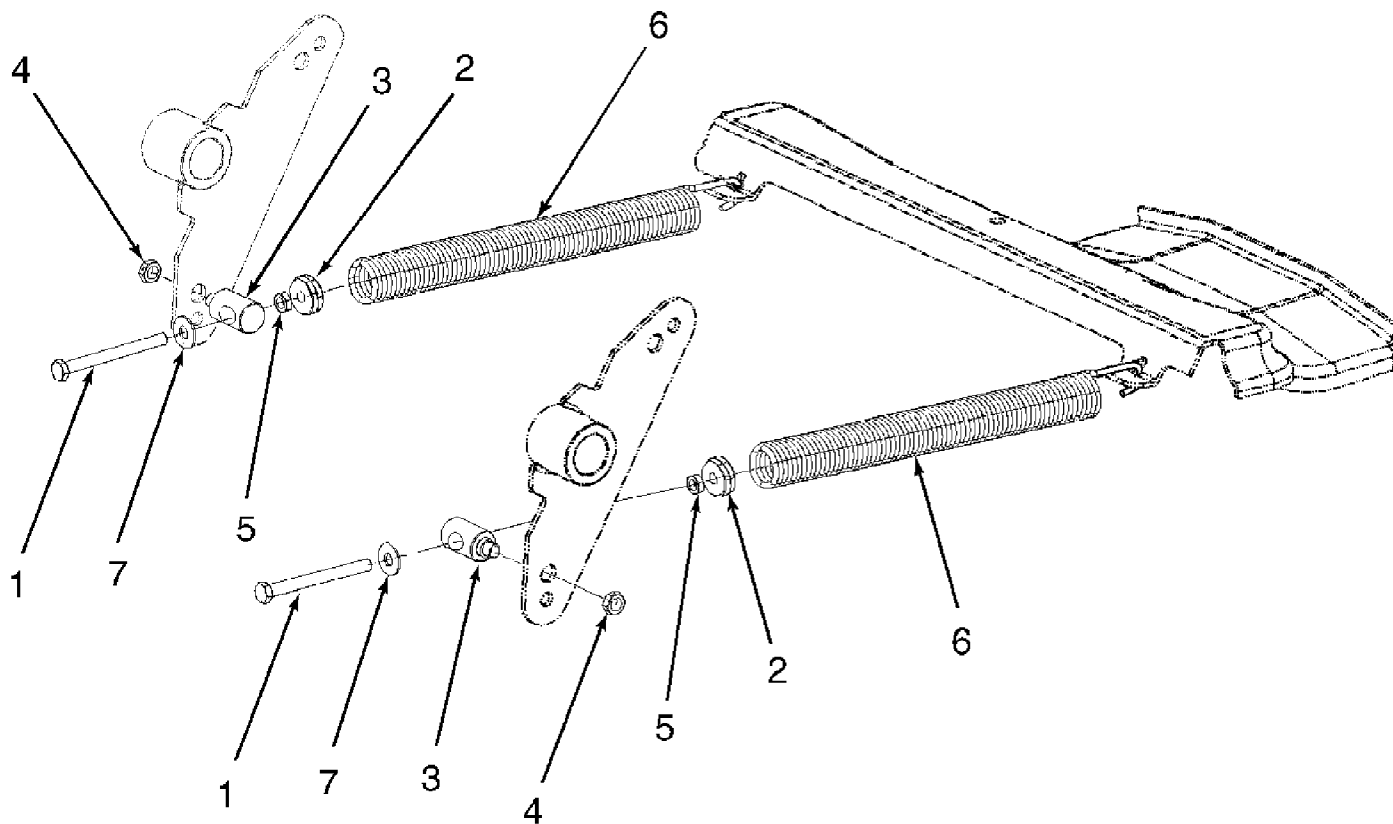
Page 40 of 48

Hydrostatic Transmission (P/N 717-3455)

Ref #	Part Number	Qty	S/P/F	Description
	717-3455	2	S	Transmission Ass'y, Hydro (BDR-303)
1	HG-70304	2		Housing Ass'y, Upper
2	HG-50301	2		Housing, Lower
3	HG-70299	2	S	Center Section Assembly
4	HG-9008000-0128	2	/P	Seal, Lip
5	HG-2003018	2	/P	Spacer
6	HG-2003016	2	/P	Ring, Wire Retaining
7	HG-2003052	2	/P	Ring, Retaining
8	HG-2003043	2	S	Bearing, Ball
9	HG-2003023	4	S	Bearing, Cradle
10	HG-2003087	2	/P	Swashplate, Variable
11	HG-50551	2	S	Bearing, Thrust
12	HG-50303	2		Shaft, Input
13	HG-2003017	2	/P	Washer, Block Thrust
14	HG-2003014	2	/P	Spring, Block
15	HG-70079	2	S	Block Assembly, Cylinder
16	HG-70082	2	/P	Block Assembly, Cylinder
17	HG-50304	2		Shaft, Output (Motor)
18	HG-50552	2	/P	Bearing, Thrust
19	741-0361	2	S	Bearing, Ball
20	HG-2000022	2	/P	Ring, Wire Retaining
21	HG-50329	2	/P	Ring, Retaining
22	HG-50649	2		Retainer, Motor Bearing
23	HG-2000015	2	/P	Guide, Slot
24	HG-2003005	2	/P	Arm, Trunnion
25	HG-9008000-0126	2	/P	Seal, Lip
26	HG-45007	2	/P	Arm, Control
27	712-0237	3	S	Nut, Hex Lock, 5/16-24
28	HG-50426	2		Stud, Short, 5/16-24
29	HG-50281	2		Puck, Friction
30	HG-2003554	2	S	Plate, Bypass
31	HG-2003555	2		Actuator, Bypass
32	HG-45074	2	/P	Seal, Lip
33	HG-50270	2		Arm, Bypass
34	HG-44870	2		Ring, Retaining
35	HG-50002	4	/P	Pin
36	HG-50016	6		Screw
37	HG-2000029	2		Spring, Charge Relief
38	HG-9001214-2500	2		Ball
39	HG-50578	2	/P	O-Ring
40	HG-50331	2	/P	Gasket
41	HG-44876	18	/P	Screw, Self Tapping
42	HG-9005110-8700	2	/P	Plug, Drain
43	HG-50273	2	/P	Gerotor Assembly
44	HG-9004101-1340	2	/P	O-Ring
45	HG-50260	2		Cover, Gerotor
46	HG-50095	4		Screw
47	HG-50651	2		Plate, Relief
48	HG-50653	2	/P	Screw
49	HG-50650	4		Ring, Retaining
50	736-0371	2	/P	Washer
51	HG-50018	1		Set Screw



Z-180L  
Lift Assist Spring

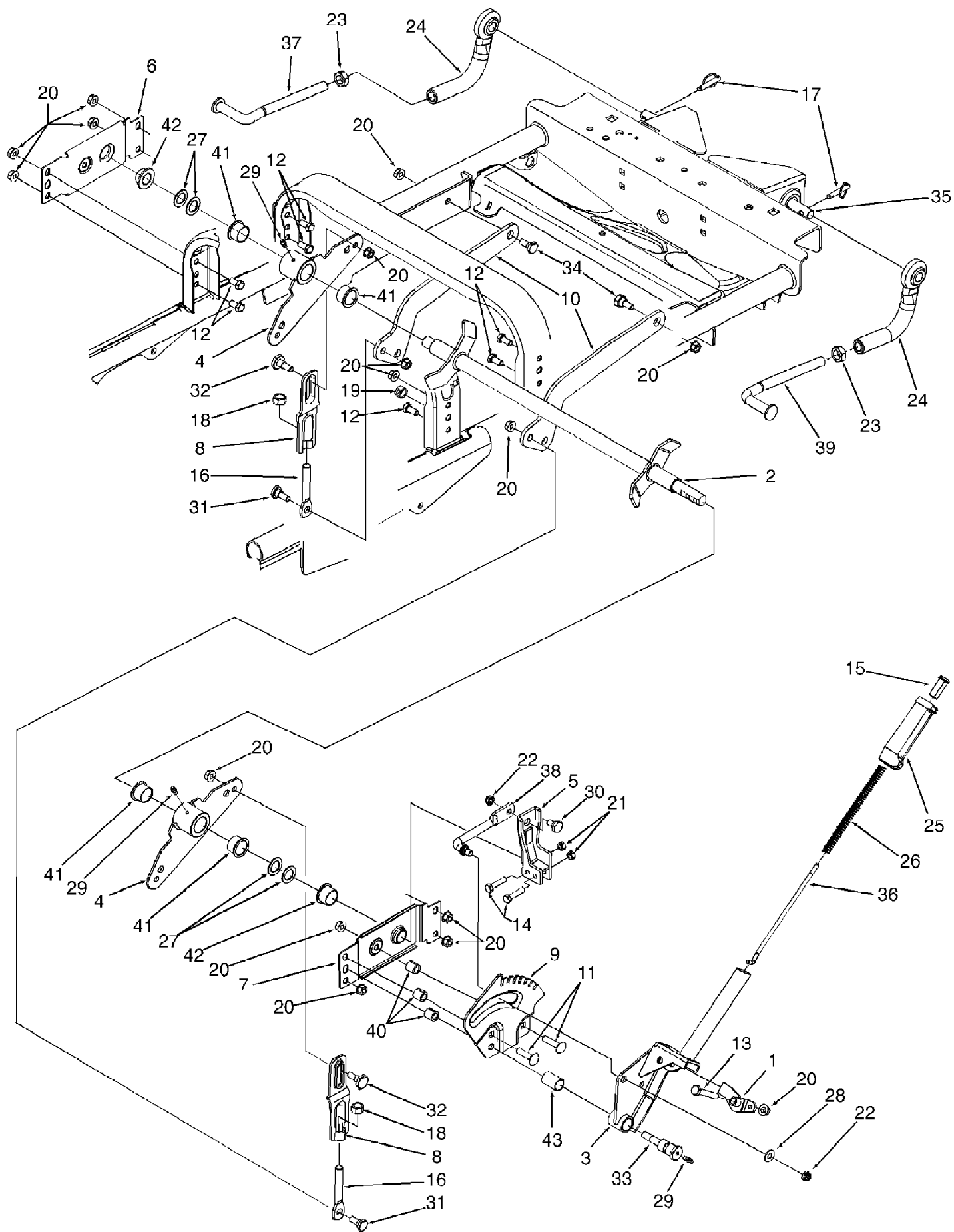


Z-180L  
Lift Assist Spring

Page 42 of 48

Ref #	Part Number	Qty	S/P/F	Description
1	710-1207	2	/P	Screw, Hex Cap, Special 5/16-18 x 3.5 GR5
2	711-0509	2		Insert, Spring, 5/16-18 Thrd
3	711-1059	2		Ferrule, .88 O.D. w/ .160 Dia. Shldr
4	712-0262	2	/P	Nut, Hex Center Lock Jam, 3/8-24
5	712-3007	2	/P	Nut, Hex Jam, 5/16-18 GR5
6	732-0772	2		Spring, Extension, 1.25 O.D. x 11.5
7	736-0159	2	S	Washer, Flat, .349 x .879 x .063

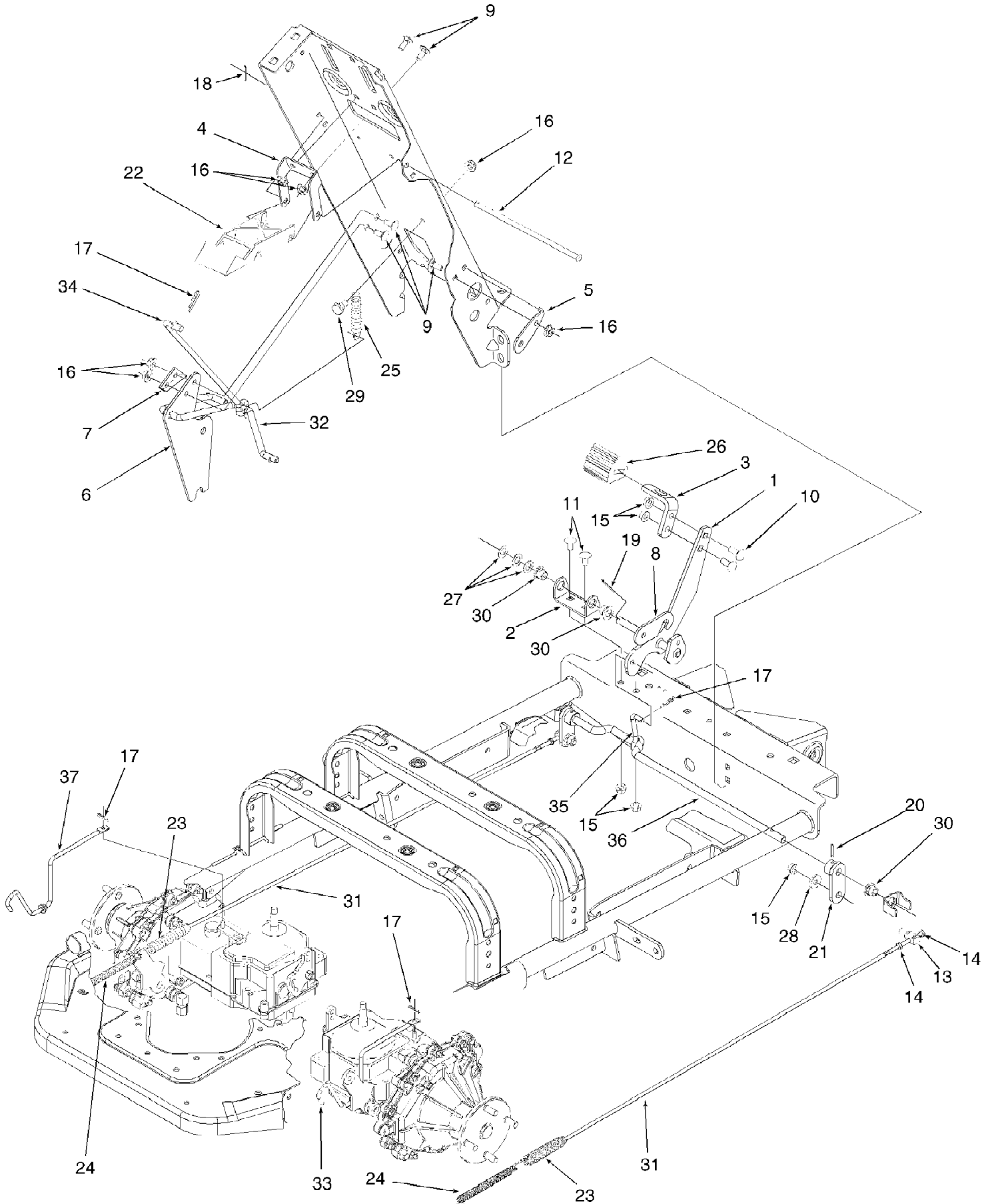
Z-180L  
Lift System And Linkage



Z-180L  
Lift System And Linkage

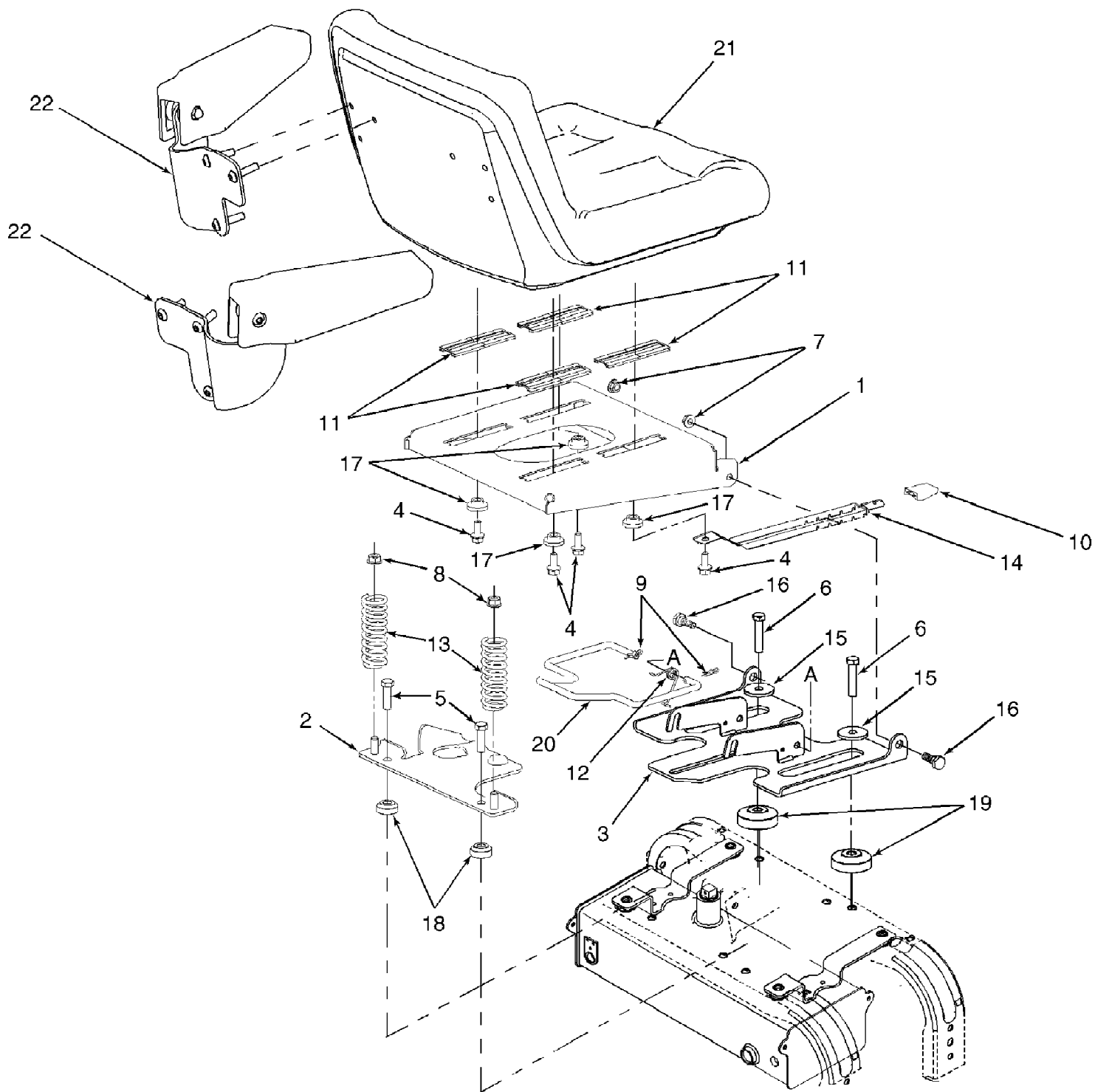
Ref #	Part Number	Qty	S/P/F	Description
1	603-0257	1	/P	Fork , Lift
2	603-0313	1	S	Shaft, Lift
3	603-0327-0648	1		Handle Ass'y, Lift Includes Ref. No. 43
4	603-0370	2		Link Ass'y, Pivot Includes Ref. Nos. 29 and 41(2)
5	603-0401-0648	1		Arm, Lift
6	603-0422-0648	1		Bracket, Shaft Mtg. LH Includes Ref. No. 42
7	603-0423-0648	1		Bracket, Shaft Mtg. RH Includes Ref. No. 42
8	703-2621	2		Link, Adjustable Deck Lift
9	703-2772-0648	1		Plate, Deck Height Adjustment
10	703-2780	2		Link, Parallel Lift
11	710-0431	2	/P	Bolt, Carriage, 3/8-16 x 1.5
12	710-0216	7	/P	Screw, Hex Cap, 3/8-16 x .75 GR5
13	710-3011	1	/P	Screw, Hex Cap, 3/8-16 x 2-1/4
14	710-3083	2	/P	Screw, Hex Cap, 5/16-18 x 1.38 GR5
15	711-0642A	1	/P	Button, Handle
16	711-0773	2		Link, Eye Bolt Adjustment
17	711-3266	2	S	Clevis Pin, w/ Detent Ball
18	712-0206	2	S	Nut, Hex, 1/2-13
19	712-0290	1	/P	Nut, Hex Center Lock, 7/16-14
20	712-0431	16	S	Nut, Hex Flange Lock, 3/8-16
21	712-3009	2	S	Nut, Hex Center Lock, 5/16-18
22	712-3020	2	S	Nut, Hex Insert Lock Jam 3/8-16
23	712-3056	2	/P	Nut, Hex Jam, 5/8-18
24	723-0453	2		Link, Parallel
25	731-3158	1		Grip, Deck Lift Handle
26	732-3097	1		Spring, Compression
27	736-0287	4	S	Washer, Flat, .79 x 1.24 x .06
28	736-0300	1	S	Washer, Flat, .406 x .875 x .06
29	737-0280	3	S	Fitting, Grease
30	738-0183	1	S	Bolt, Shoulder
31	738-0380	2	S	Bolt, Shoulder
32	738-0507B	2	S	Bolt, Shoulder
33	738-3150	1		Bolt, Lift Handle Shoulder
34	738-3151	2		Bolt, Shoulder
35	747-3255	1		Rod, Parallel Link Front Mtg.
36	747-3267	1		Rod, Lift Handle
37	747-3275	1		Rod, Connecting LH
38	747-3276	1		Rod, Lift Link
39	747-3286	1		Rod, Connecting RH
40	750-3200	3		Spacer, .448 x .688 x .673
41	741-0229	4		Bearing, Flange, 1.0 ID
42	741-0376	2	S	Bearing, Flange, .75 ID x 1.0 OD
43	741-3081	1		Bearing, Sleeve, .75 x .875 x 1.25

Z-180L  
Parking Brake And Linkage



Ref #	Part Number	Qty	S/P/F	Description
1	603-0461A	1	S	Shaft , Park Brake Pedal
2	703-2806	1		Bracket, Pedal Mounting
3	703-2807B	1	S	Bracket, Foot Pad Mounting
4	703-2856	1		Bracket, Park Brake
5	703-2857	1		Bracket, Rod Retainer
6	703-3073	1		Plate, Support
7	703-3074	1		Bracket, Brake Rod Stop
8	703-3076	1		Plate, Brake Link
9	710-0134	5	/P	Bolt, Carriage, 1/4-20 x .62
10	710-3168	2	/P	Bolt, Carriage, 3/8-16 x 1.0 GR5
11	710-3178	2	/P	Bolt, Carriage, 3/8-16 x .75 GR5
12	711-1088	1		Pin, Clevis, 1/4 x 6.65
13	711-3357	2	S	Ferrule
14	712-0314	4		Nut, Hex Jam, 1/4-28
15	712-0431	6	S	Nut, Hex Flange Lock, 3/8-16
16	712-3027	6	S	Nut, Hex Flange Lock, 1/4-20
17	714-0104	4	S	Pin, Internal Cotter
18	714-0127	1	/P	Pin, Cotter, 1/16 x .75
19	714-3004	1		Pin, Cotter, 3/32 x 1.25
20	715-0136	2	S	Pin, Spiral, 3/16 x 1.5
21	718-3080	2		Arm, Brake
22	731-3165	1		Lever, Park Brake Engagement
23	732-0463	2	S	Spring, Extension, .75 O.D. x 5.0
24	732-0800	2		Spring, Extension
25	732-0857	1		Spring, Extension, .5 O.D. x 2.25
26	735-0251	1		Foot Pad, Brake
27	736-0160	3	S	Washer, Flat, .536 x .930 x .05
28	736-0258	2	/P	Washer, Flat, .385 x 1.0 x .135
29	738-0137A	1	S	Bolt, Shoulder, .340 x .285:1/4-20
30	741-0324	4	S	Bearing, Hex Flange, .506 I.D.
31	747-3266A	2	/P	Rod, Brake
32	747-3272A	1		Rod, Park Brake Retaining
33	747-3284	1		Rod, Hydro Pump Release RH
34	747-3293	1		Rod, Park Brake
35	747-3317	1		Rod, Park Brake Support
36	747-3318	1		Rod, Brake Connecting
37	747-3363	1		Rod, Hydro Pump Release LH Mfg. Date 1G017G9 and after
	747-3284	1		Rod, Hydro Pump Release LH Mfg. Date 1F307G9 and before

Z-180L  
Seat Assembly



Z-180L  
Seat Assembly

Page 48 of 48

Ref #	Part Number	Qty	S/P/F	Description
1	603-0294	1	S	Seat Base
2	603-0318A	1		Plate, Seat Spring Mtg.
3	603-0470	1	S	Bracket, Seat Mounting
4	710-1260	4	S	Screw, Hex Wash Hd Tapp 5/16-18 x .75
5	710-0520	2	/P	Screw, Hex Cap 3/8-16 x 1.5 GR5
6	710-0347	2	/P	Screw, Hex Cap 3/8-16 x 1-3/4 GR5
7	712-3004A	2	/P	Nut, Hex Flange Lock 5/16-18 GR5
8	712-3005	2	S	Nut, Hex Flange Lock 3/8-16 GR5
9	714-0104	2	S	Pin, Internal Cotter
10	720-0190	1	S	Knob, Seat Adjustment
11	731-3154	4		Seat Slide
12	732-0827	1		Spring, Torsion
13	732-3080	2	S	Spring, Compression
14	732-3098	1		Spring, Index
15	736-0227	2	S	Washer, Flat, .390 x 1.5 x .134
16	738-0296	2	S	Bolt, Shoulder .437 x .268:5/16-18
17	738-0372	4	S	Spacer, Shoulder, .38 I.D.
18	738-3156	2		Spacer, Shoulder
19	738-3166	2		Spacer, Seat Pan Shoulder
20	747-3342	1		Rod, Seat Pan Lock
21	757-0375	1	S	Seat Assembly
22	757-3009	1		Seat Arm (Set of Two)