

Z-165
42-Inch Deck Assembly

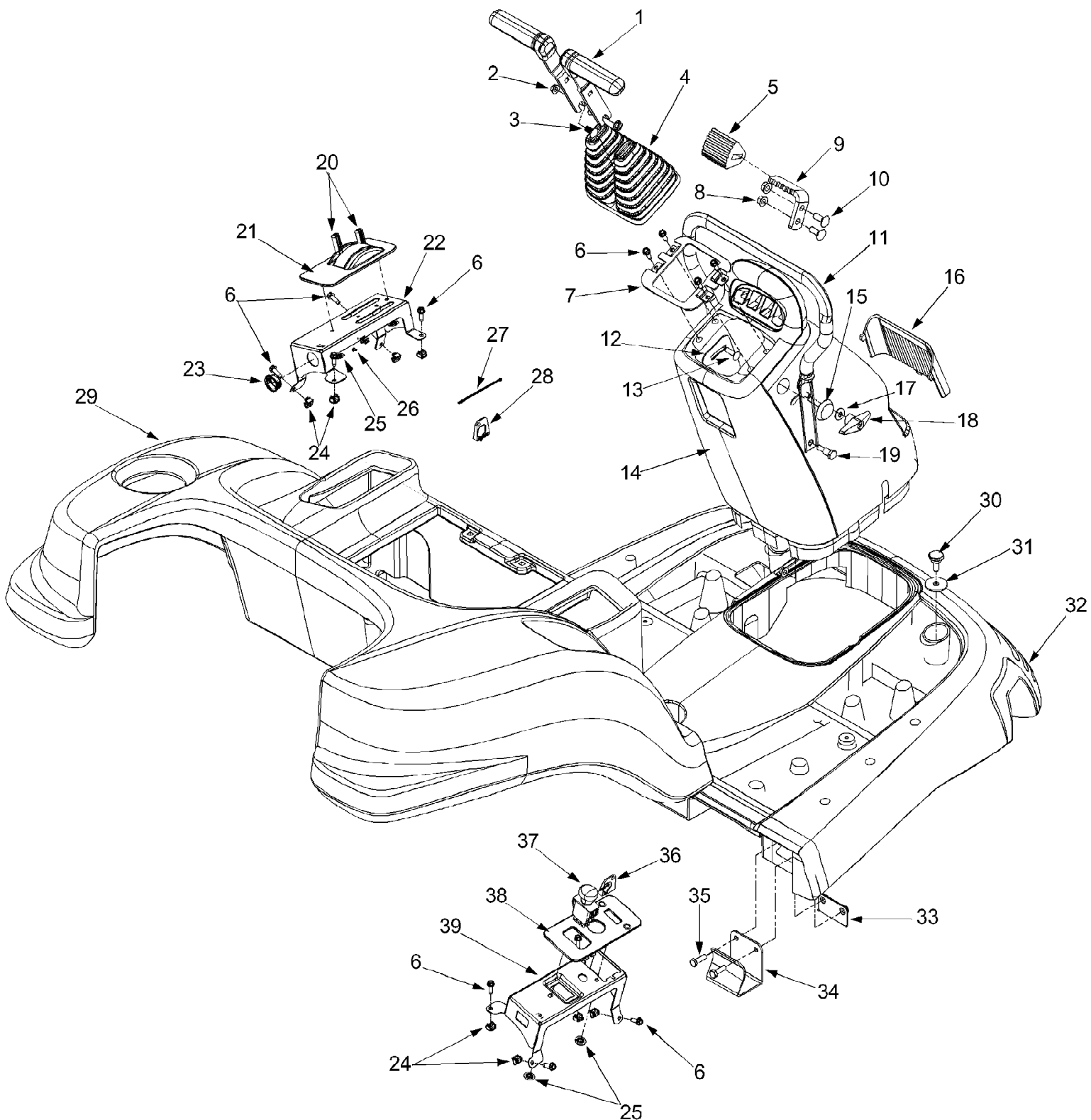
Page 2 of 32

Ref #	Part Number	Qty	S/P/F	Description
1	732-0556	1	S	Extension Spring .94 OD x 7.57 Lg
2	712-3006	1	/P	Hex Nut 1/4-20
3	710-0597	1	/P	Hex Cap Screw 1/4-20 x 1.0
4	712-3004A	1	/P	Flange Lock Nut 5/16-18
5	703-2559	1		Stop Bracket
6	703-2945	1		LH Pulley Cover
7	754-3091	1	S	V-Belt
8	732-0602	1	S	Torsion Spring
9	726-0106	1	S	Speed Cap Nut
10	710-0751	1	/P	Hex Cap Screw 1/4-20 x .620
11	736-0270	1	/P	Bell Washer .265 OD x .75 ID
12	711-0792	1	S	Hinge Pin .25 Dia. x 6.75 Lg
13	703-1693	1	S	Hinge Mounting Bracket
14	731-1032	1	S	Deflector Ass'y Chute
15	603-0316	1		Deck Ass'y
16	711-3314	1	S	Roller Pin
17	731-3005	1	/P	Roller
18	703-3237	1	/P	RH Pulley Cover
19	756-3089	1		Pulley 4.0 Dia
20	710-1336	1	S	Spindle Bolt 3/4-16 x 4.25
21	737-3000	1	S	Grease Fitting 3/16
22	603-0580	1		Engag Rod Ass'y
23	618-3129	1	S	Deck Spindle Ass'y
24	732-0851A	1	/P	Extension Spring .75 OD x 8.63 Lg
25	738-0213	1	/P	Shoulder Screw .498 x 1.45 Lg
26	736-0192	1	S	Flat Washer .531 OD x .93 OD
27	747-3013	1		Support Mower Pin
28	715-3003	1		Spirol Pin
29	732-0802	1		Compression Spring .63 OD x 6.3 Lg
30	736-0160	1	S	Flat Washer .536 ID x .930 OD
31	750-0151	1	S	Spacer .550 ID x .750 OD
32	711-3358	1		Deck Roller Pin
33	712-0431	1	S	Flange Lock Nut 3/8-16
34	736-0258	1	/P	Flat Washer .385 OD x 1.0 OD
35	710-3151	1	/P	Hex Cap Screw 5/8-18 x 4.25
36	756-0627	1	S	Flat Idler Pulley 3.5 OD
37	736-0290	1	/P	Flat Washer 5/8 ID x 1.0 OD
38	741-0524	1	S	Bearing .625 ID x 1.574 OD
39	716-3020	1	S	Snap Ring
40	712-0239	1	S	Lock Nut 1/2-20
41	736-0179	1	S	Flat Washer 1/2 ID x 1.25 OD
42	736-0188	1	/P	Flat Washer .76 ID x 1.49 OD
43	741-0338	1	/P	Flange Bearing 3/4 ID x .52 Lg
44	732-0850	1	S	Extension Spring 1.0 OD x 6.140 Lg
45	750-0656	1	/P	Spacer .50 OD x .75 ID
47	603-0581	1		Pivot Arm Pulley Ass'y
48	736-0100	1	/P	Flat Washer .531 ID x 1.25 OD
49	603-0584	1	S	Deck Plate Ass'y
50	736-0187	1	/P	Flat Washer .64 ID x 1.24 OD
51	710-3037	1	S	Hex Cap Screw 3/8-16 x 1.75
52	738-0988	1		Shoulder Spacer .875 Dia x .245
53	703-3147	1	S	Idler Pivot Arm
54	750-3164	1	S	Spacer .650 ID x 2.0 Lg

Z-165
42-Inch Deck Assembly

Page 3 of 32

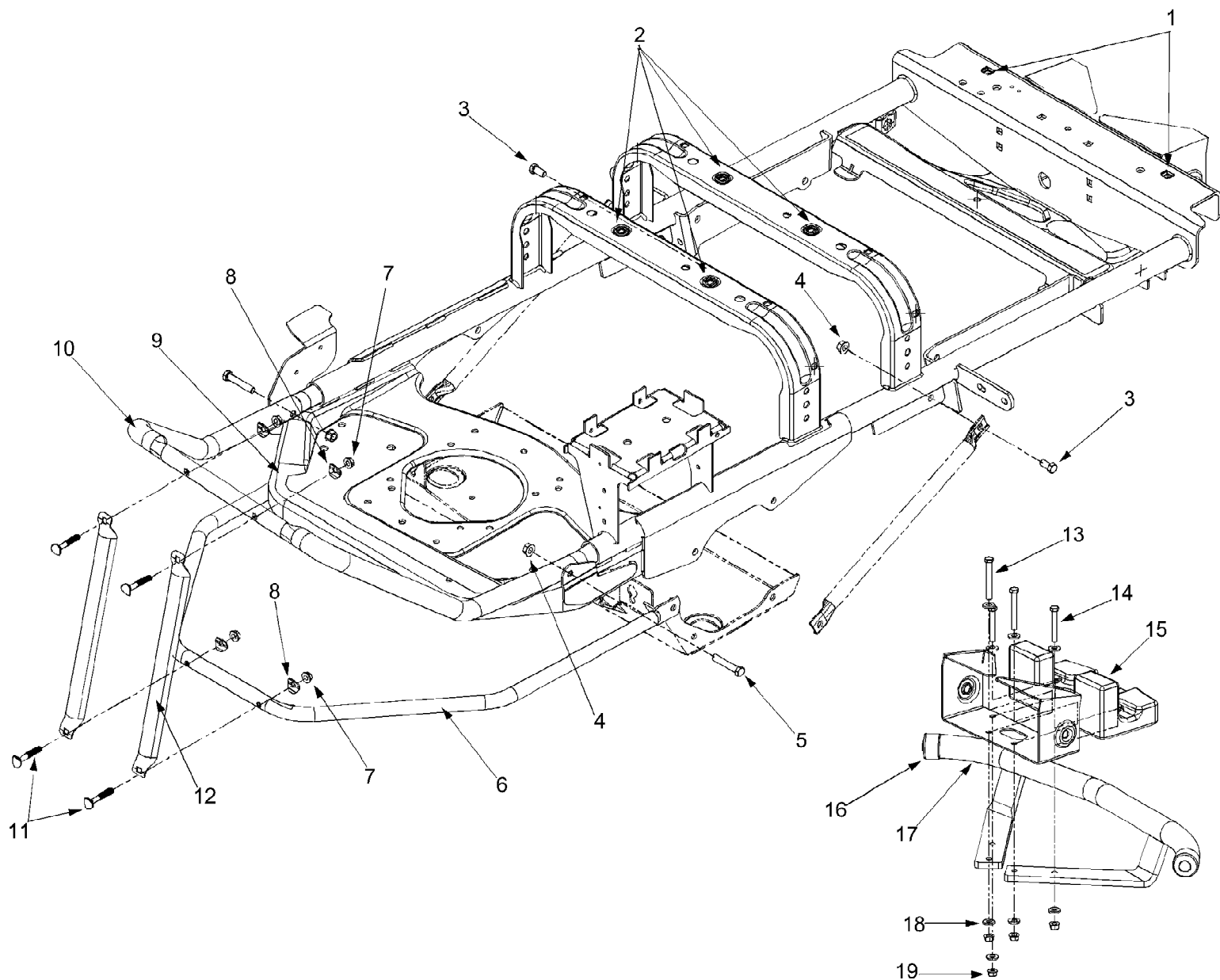
Ref #	Part Number	Qty	S/P/F	Description
55	756-3103	1		Pulley
56	754-3092	1	S	V-Belt
57	710-1260A	1	/P	Hex Washer Screw 5/16-18 x .75
58	710-3178	1	/P	Carriage Bolt 3/8-16 x .75
59	748-3065	1	S	Deck Spindle Spacer
60	712-3078	1	/P	Hex Flange Nut 3/4-16
61	759-3830	1		Blade
62	710-3008	1	/P	Hex Cap Screw 5/16-18 x .75
63	714-0115	1	S	Cotter Pin



Z-165
Body Cover Panels

Page 5 of 32

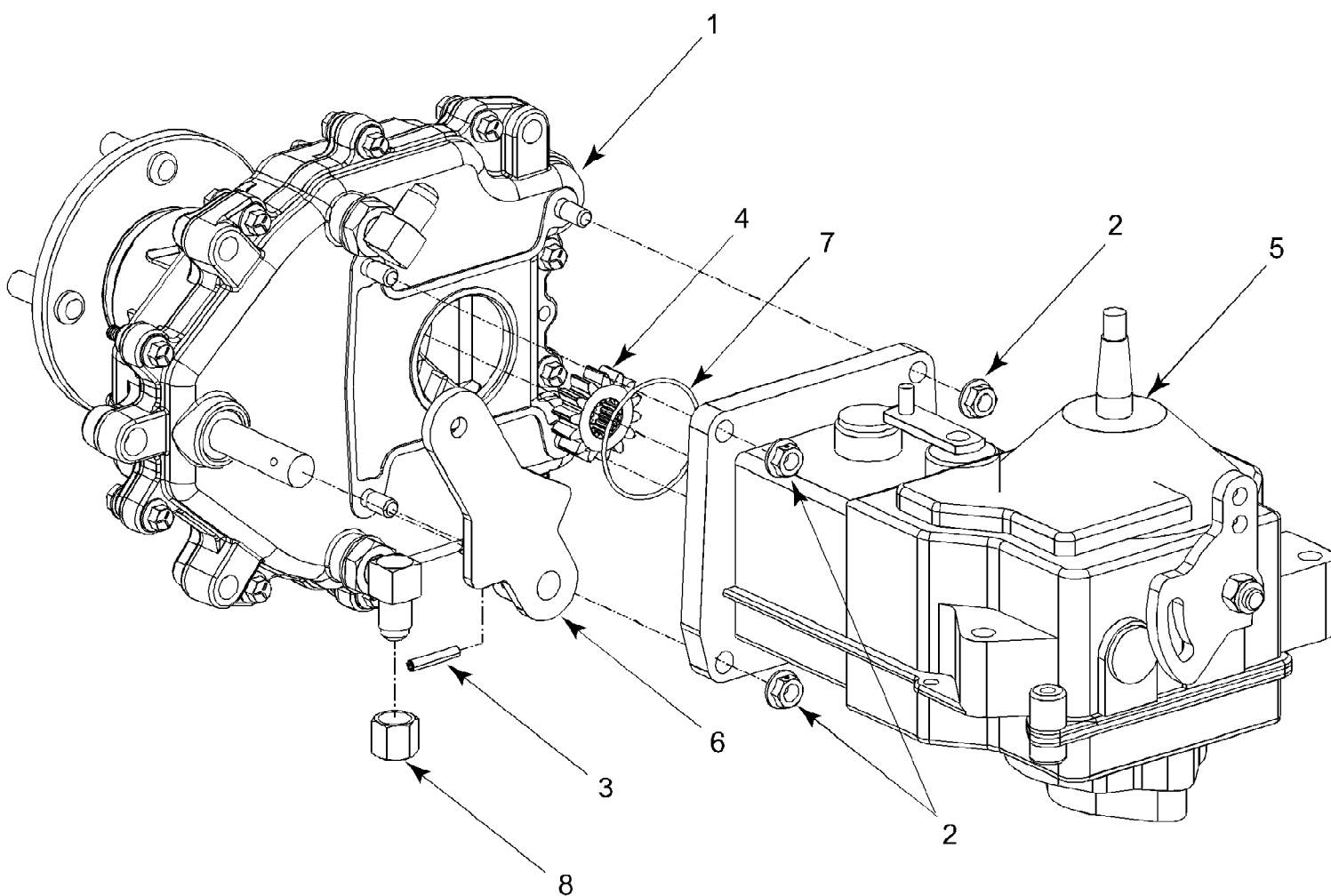
Ref #	Part Number	Qty	S/P/F	Description
1	731-3263	1	S	Control Handle
2	712-3004A	1	/P	Flange Lock Nut 5/16-18
3	710-0451	1	/P	Carriage Bolt 5/16-18
4	731-3185	1		Bellow
5	735-0251	1		Foot Pad
6	710-0642	1	/P	Hex Washer Screw 1/4-20 x .75
7	703-2648	1		Bellow Retainer Bracket
8	712-0431	1	S	Flange Lock Nut 3/8-16
9	703-2807B	1	S	Foot Pad Mounting Bracket
10	710-3168	1	/P	Carriage Bolt 3/8-16
11	749-3081	1		Cruise Control Tube
12	703-3288	1	S	Control Tube Mounting Bracket
13	710-0276	1	/P	Carriage Screw 5/16-18 x 1.0
14	731-3283	1		Consol
15	726-0289	1		Plug
16	731-3128A	1		Lens
17	736-0242	1	/P	Bell Washer .340 ID x .872 OD
18	720-0241	1	S	Wingnut Knob
19	738-0754	1		Shoulder Screw
20	720-0302	1		Knob
21	731-3195A	1		LH Control Panel Cover
22	603-0424	1	S	LH Control Panel Assembly
23	723-3042	1		Snap Bushing
24	712-0453	1		Retainer Nut 1/4-20
25	726-3047	1	S	Push Nut
26	728-0117	1		Pop Rivet
27	726-0197	1		Cable Tie
28	703-1345A	1		Key
29	731-3309	1		Rear Body
30	738-3163A	1	/P	Shoulder Screw 3/8-16
31	736-3039	1	S	Flat Washer .406 ID x 1.5 OD
32	731-3318	1		Floor Body
33	603-0578	1		Body Plate Assembly
34	703-3474	1	S	Body Clip
35	710-0376	1	/P	Hex Cap Screw 5/16-18 x 1.0
36	703-1345A	1		Key
37	725-3233	1	S	Electric PTO Switch
38	731-3196	1		RH Control Panel Cover
39	603-0425	1		RH Control Panel Assembly



Z-165
Bumper Assembly

Page 7 of 32

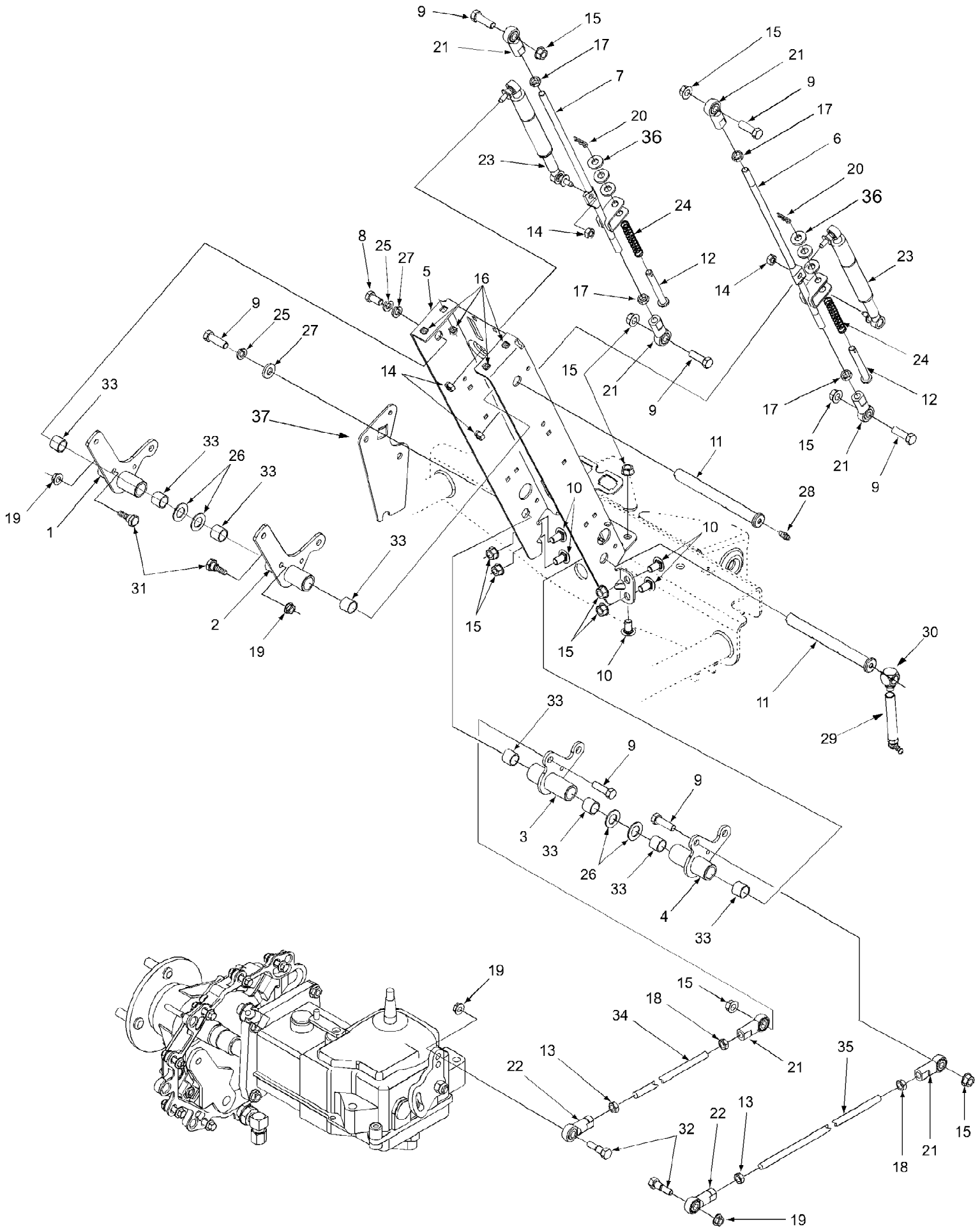
Ref #	Part Number	Qty	S/P/F	Description
1	712-0251	1		Retainer Nut 3/8-16
2	712-0455	1		Retainer Nut 3/8-16
3	710-0216	1	/P	Hex Cap Screw 3/8-16 x .75
4	712-0431	1	S	Flange Lock Nut 3/8-16
5	710-3144	1	/P	Hex Cap Screw 3/8-16 x 2.0
6	749-3061	1		Lower Bumper Tube
7	712-3004A	1	/P	Flange Lock Nut 5/16-18
8	736-0451	1	S	Washer .320 ID x .93 OD
9	603-0720	1	S	Frame Assembly
10	749-3087	1		Upper Bumper
11	710-1174	1	/P	Carriage Bolt 5/16-18 x 2.0
12	703-3504	1	S	Bumper Bracket
13	710-0521	1	/P	Hex Cap Screw 3/8-16 x 3.0
14	710-0859	1	/P	Hex Cap Screw 3/8 - 16 x 2.5
15	719-3130	1		Counter Weight
16	726-0298	1		End Cap
17	603-0620	1		Bumper Ass'y
18	736-3004	1	S	Flat Washer .406 ID x .875 OD
19	712-0431	1	S	Flange Lock Nut 3/8-16



Z-165
Complete Transmission Assembly

Page 9 of 32

Ref #	Part Number	Qty	S/P/F	Description
1	618-3110A	1	S	Drive Ass'y Complete
2	712-3004A	1	/P	Hex Flange Lock Nut 5/16-18
3	715-0136	1	S	Spirol Pin 3/16 x 1.25
4	717-3396	1	S	Spur Gear 14T
5	717-3455	1	S	Hydro Transmission
6	718-3053	1		Parking Brake Lever
7	721-0343	1		O-Ring 2.0 Dia.
8	727-3125	1	S	Cap Nut 3/8

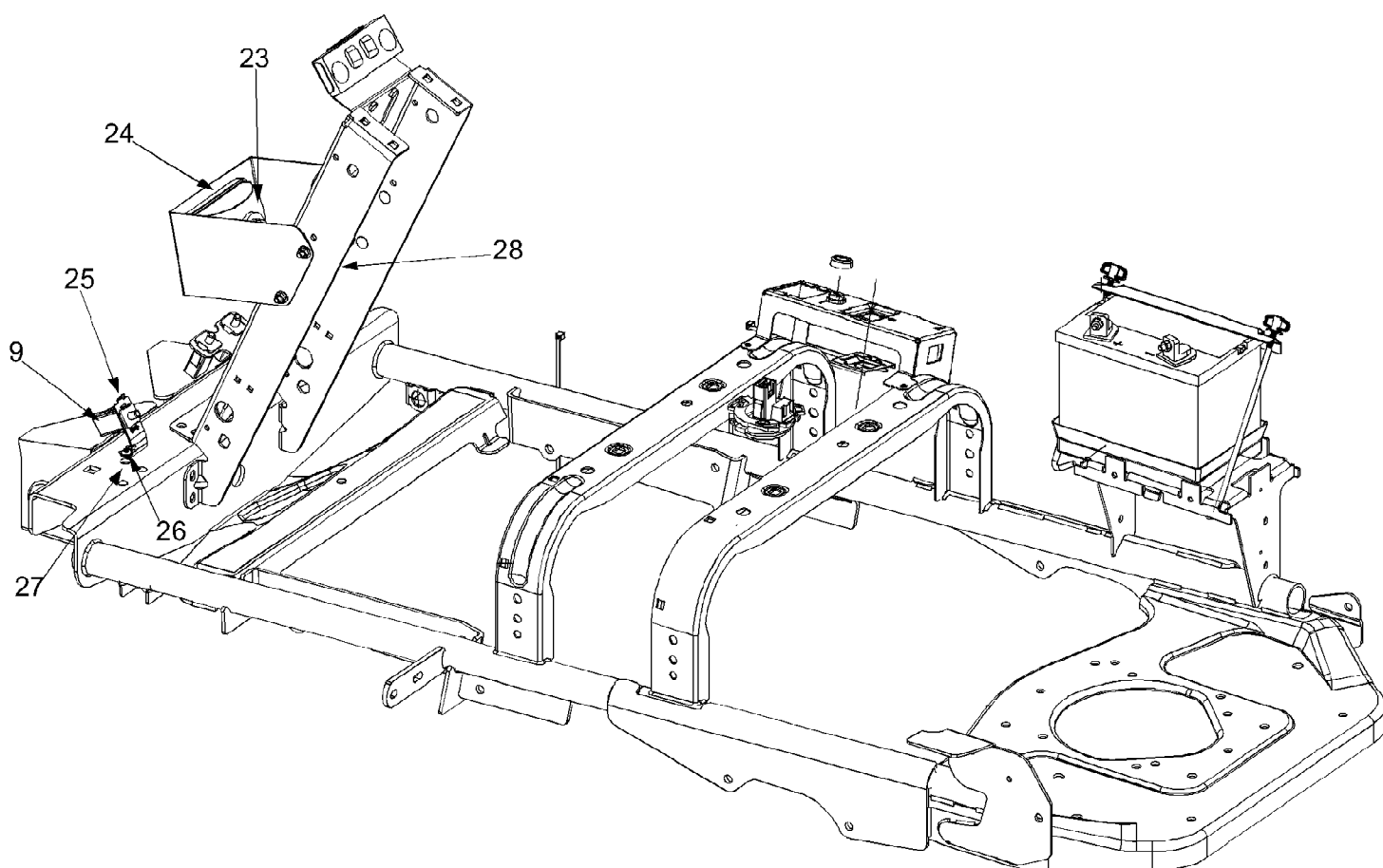
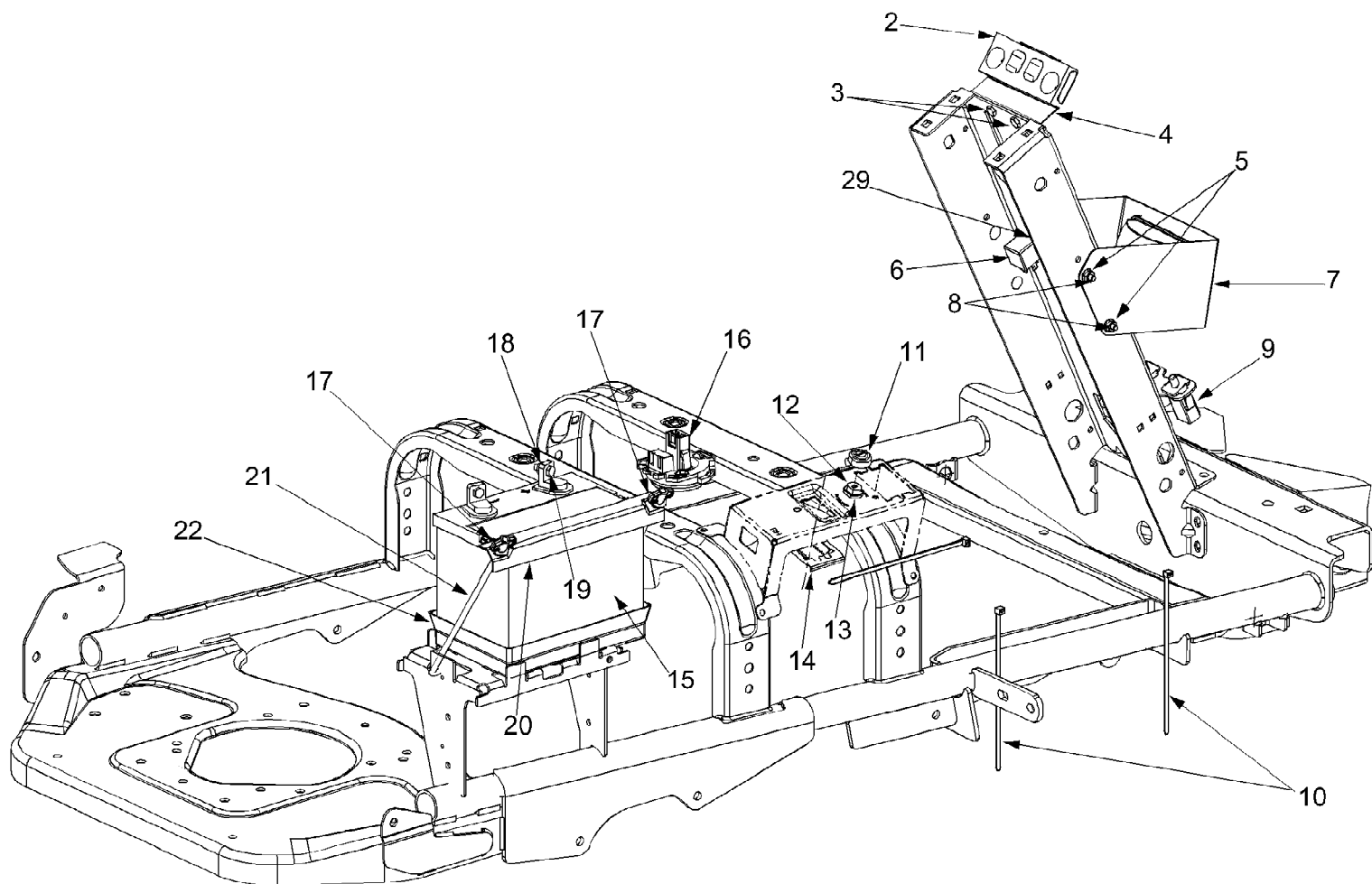


Z-165

Page 11 of 32

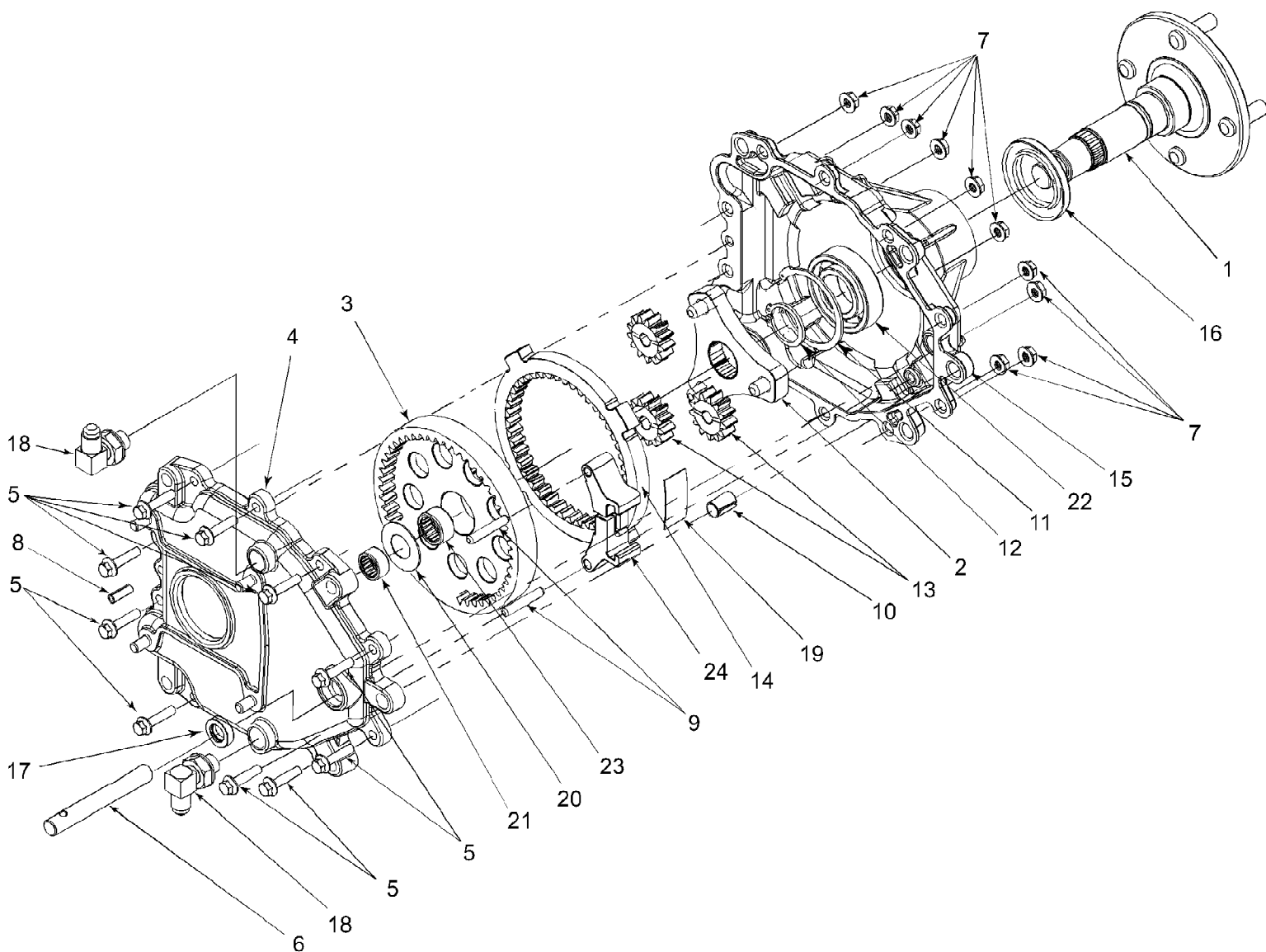
Drive Controls & Support Tower

Ref #	Part Number	Qty	S/P/F	Description
1	603-0340	1	S	Bellcrank Ass'y Upper LH
2	603-0341	1	S	Bellcrank Ass'y Upper RH
3	603-0342	1	S	Bellcrank Ass'y Lower LH
4	603-0343	1	S	Bellcrank Ass'y Lower RH
5	603-0647	1	S	Support Ass'y Tower
6	603-0410	1		Rod Ass'y Control RH
7	603-0411	1		Rod Ass'y Control LH
8	710-0216	1	/P	Hex Cap Screw 3/8-16 x .75
9	710-3005	1	/P	Hex Cap Screw 3/8-16 x 1.25
10	710-3178	1	/P	Carriage Bolt 3/8-16 x .75
11	711-1111	1		Control Shaft
12	711-1124	1		Pin
13	712-0312	1	S	Hex Jam Nut LH 3/8-24
14	712-0365	1		Hex Center Lock Nut
15	712-0431	1	S	Hex Flange Lock Nut 3/8-16
16	712-0453	1		Retainer 1/4-20
17	712-0711	1	/P	Hex Jam Nut 3/8-24
18	712-3001	1	S	Hex Jam Nut 3/8-24
19	712-3004A	1	/P	Hex Flange Lock Nut 5/16-18
20	714-0104	1	S	Cotter Pin
21	723-0420	1	S	Spherical Rod End RH 3/8-24
22	723-0421	1	S	Spherical Rod End LH 3/8-24
23	727-3113	1		Damper Cylinder
24	732-3084	1		Spring Compression
25	736-0169	1	S	Lock Washer 3/8
26	736-0539	1		Thrust Washer .625 ID x 1.12 OD
27	736-3004	1	S	Flat Washer .406 ID x .875 OD
28	737-0280	1	S	Grease Fitting
29	737-3072	1		Grease Fitting w/Tube
30	737-3073	1		Adapter 1/4-20
31	738-0296	1	S	Shoulder Bolt .437 Dia. x .268
32	738-3153	1		Shoulder Bolt
33	741-3063	1		Sleeve Bearing
34	747-3281	1		Control Rod LH 31-5/8
35	747-3282	1		Control Rod RH 35-3/8
36	736-0300	1	S	Flat Washer .406 ID x .87 OD
37	703-3405	1		Support Plate



Electrical Components & Switches

Ref #	Part Number	Qty	S/P/F	Description
	629-3033	1		Wire Harness, Main Not Shown
	629-3037	1		Wire Harness, Engine Not Shown
	629-3039	1		Battery Cable, Red Not Shown
	629-3040	1		Battery Cable, Red Not Shown
	629-3041	1		Battery Cable, Black Not Shown
2	723-0455	1		Foam Protector, Indicator Light
3	710-3013	1	/P	Hex Cap Screw 1/4-20 x .50
4	703-2809	1	S	Bracket, Indicator Bulb Mtg.
5	712-3027	1	S	Nut, Hex Flange Lock, 1/4-20
6	725-1718	1	S	Relay
7	703-2836	1		Bracket, Headlight Mtg.
8	710-0134	1	/P	Carriage Screw 1/4-20 x .62
9	725-3164A	1	S	Switch, Plunger Safety
10	725-0157	1	/P	Cable Tie
11	725-1347	1	/P	Cap, Ignition Switch
12	725-1346	1	S	Nut, Ignition Switch, 5/8-32
13	725-3163	1	S	Switch, Ignition
14	783-0462	1	/P	Bracket, PTO Switch Retainer
15	725-1722	1	S	Battery
16	725-3253	1	S	Switch, Seat
17	712-0397	1	S	Nut, Nylon Wing, 1/4-20
18	712-0271	1	/P	Nut, Hex Sems, 1/4-20
19	710-3015	1	/P	Screw, Hex Cap, 1/4-20 x .75 GR5
20	703-3149	1	S	Strip, Battery Retainer
21	747-3347	1		Rod, Battery Retainer
22	731-3233	1		Tray, Battery
23	725-3250	1	S	Headlight Assembly
23	759-3864	1	S	Bulb, Headlight - Only
24	731-3184	1		Bezel, Headlight
25	732-0816	1		Spring, Switch Mounting
26	710-0425	1	/P	Screw, Machine, #10-24 x 5/8
27	712-0161	1	/P	Nut, Hex Insert Lock, #10-24
28	725-3251	1	S	Voltage Sensor
29	726-0349	1	S	Ratchet Retainer

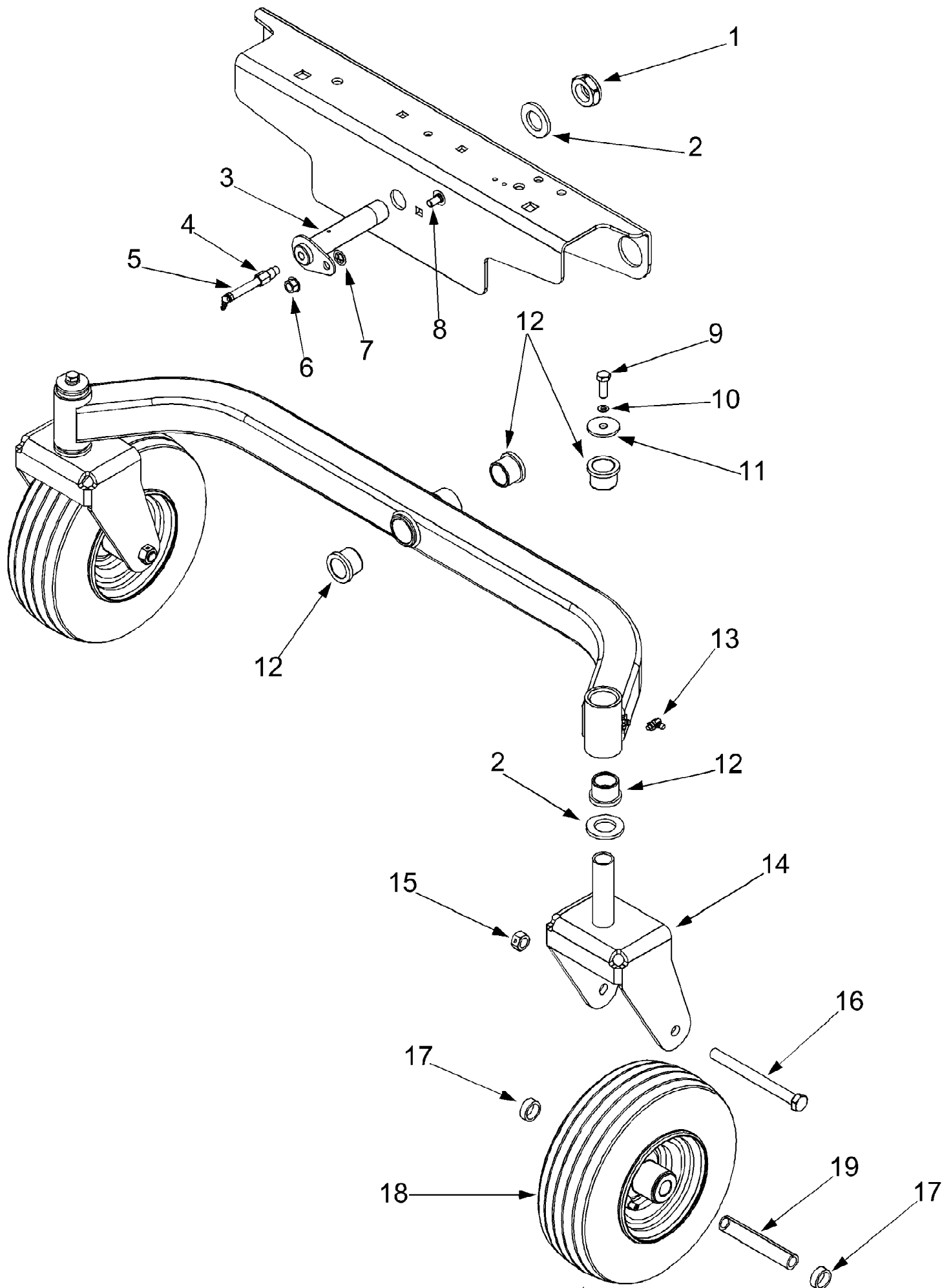


Z-165
Final Drive Assembly

Page 15 of 32

Ref #	Part Number	Qty	S/P/F	Description
	618-3110A	1	S	Drive Ass'y Complete
1	611-3012	1	S	Axle Assembly
1	710-0852	1	/P	Ribbed Neck Stud
2	618-3106	1	S	Carrier Assembly, Output
3	618-3107	1	S	Gear Assembly, 51T Internal & 20T
4	618-3109	1	S	Housing Ass'y
5	710-1342	1		Hex Washer Screw 1/4-20 x 1-1/8
6	711-1048	1		Brake Shaft
7	712-3027	1	S	Hex Flange Lock Nut 1/4-20
8	715-0156	1		Roll Pin
9	715-0219	1		Dowel Pin
10	715-3045	1	S	Bushing
11	716-3015	1		Inverted Retaining Ring
12	716-3018	1		Snap Ring
13	717-3395	1		Spur Gear 13T
14	717-3397	1		Ring Gear 46T
15	719-3114	1	S	Axle Outer Housing
16	721-0381	1	S	Oil Seal
17	721-0393	1		Oil Seal
18	727-3124	1	S	Elbow Fitting
19	732-0752	1		Brake Shoe Spring
20	736-0351	1	S	Shim Washer .76 x 1.5 x .030
20	736-0492	1	S	Shim Washer .76 x 1.5 x .010
20	736-0493	1	S	Shim Washer .76 x 1.5 x .020
21	741-0665	1	/P	Needle Bearing
22	741-3033A	1	S	Ball Bearing
23	741-3080	1		Needle Bearing
24	761-3049	1		Shoe Brake

Z-165
Front Axle & Tire Assembly

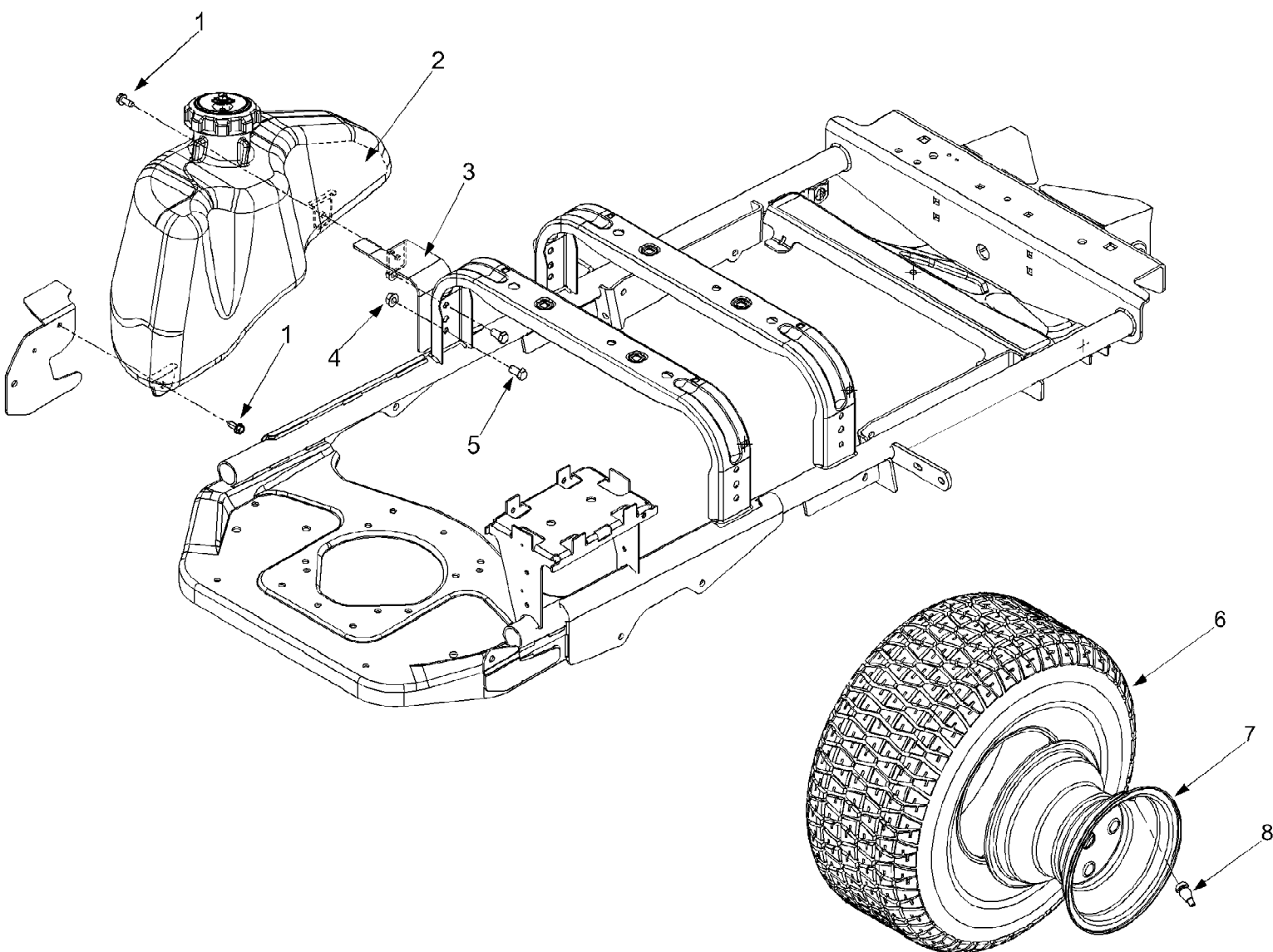


Z-165

Page 17 of 32

Front Axle & Tire Assembly

Ref #	Part Number	Qty	S/P/F	Description
1	712-3075	1	/P	Hex Lock Nut, 1.0-14
2	736-0274	1	S	Flat Washer
3	603-0389A	1		Pin Ass'y, Pivot
4	737-3090	1	S	Adapter, 1/8 NPTF x 1/8 NPTF
5	737-3072	1		Grease Fitting, 65° w/Extension
6	712-0431	1	S	Hex Flange Lock Nut, 3/8-16
7	712-0229	1		Push Nut, 3/8 ID
8	710-3178	1	/P	Carriage Bolt, 3/8-16 x .75
9	710-0514	1	/P	Hex Cap Screw, 3/8-16 x 1.0
10	736-0169	1	S	Lock Washer 3/8
11	712-0239	1	S	Hex Center Lock Nut, 1/2-20
12	731-0374	1	S	Flange Bearing 1.0 ID
13	737-0280	1	S	Grease Fitting
14	603-0363	1		Castor Wheel Bracket
15	712-0239	1	S	Hex Center Lock Nut 1/2-20
16	710-0506	1	/P	Hex Cap Screw, 1/2-20 x 5.5
17	750-0456	1	S	Spacer, .79 ID x .347 Lg
18	634-3164	1		Wheel Comp 11.0 x 4.0 x 5.0
19	750-3197	1	S	Wheel Spacer



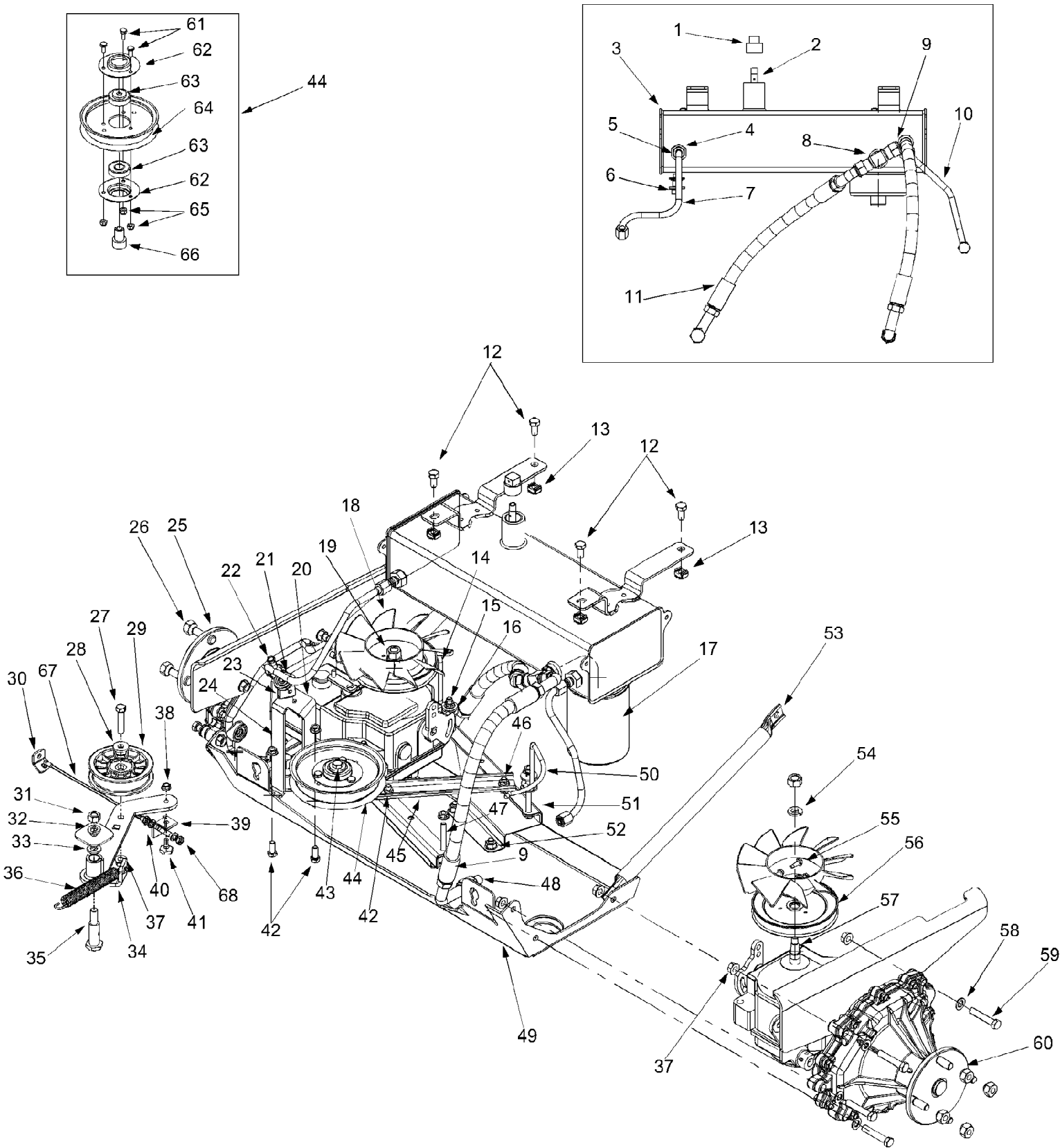
Z-165

Page 19 of 32

Fuel Tank & Drive Wheels

Ref #	Part Number	Qty	S/P/F	Description
1	710-1260A	1	/P	Hex Washer Screw 5/16-18 x .75
2	651-3004	1		Tank 4.0 Gal
3	703-3490	1		Fuel Tank Mounting Bracket
4	712-0431	1	S	Flange Lock Nut 3/8-16
5	710-0216	1	/P	Hex Cap Screw 3/8-16 x .75
6	734-3118	1		Tire 20.0 x 7.0 x 8.0
7	634-3031	1		Rim Ass'y 8.0 x 4.85
8	734-0255	1	S	Tubeless Air Valve

Z-165
Hydraulic Drive



Z-165
Hydraulic Drive

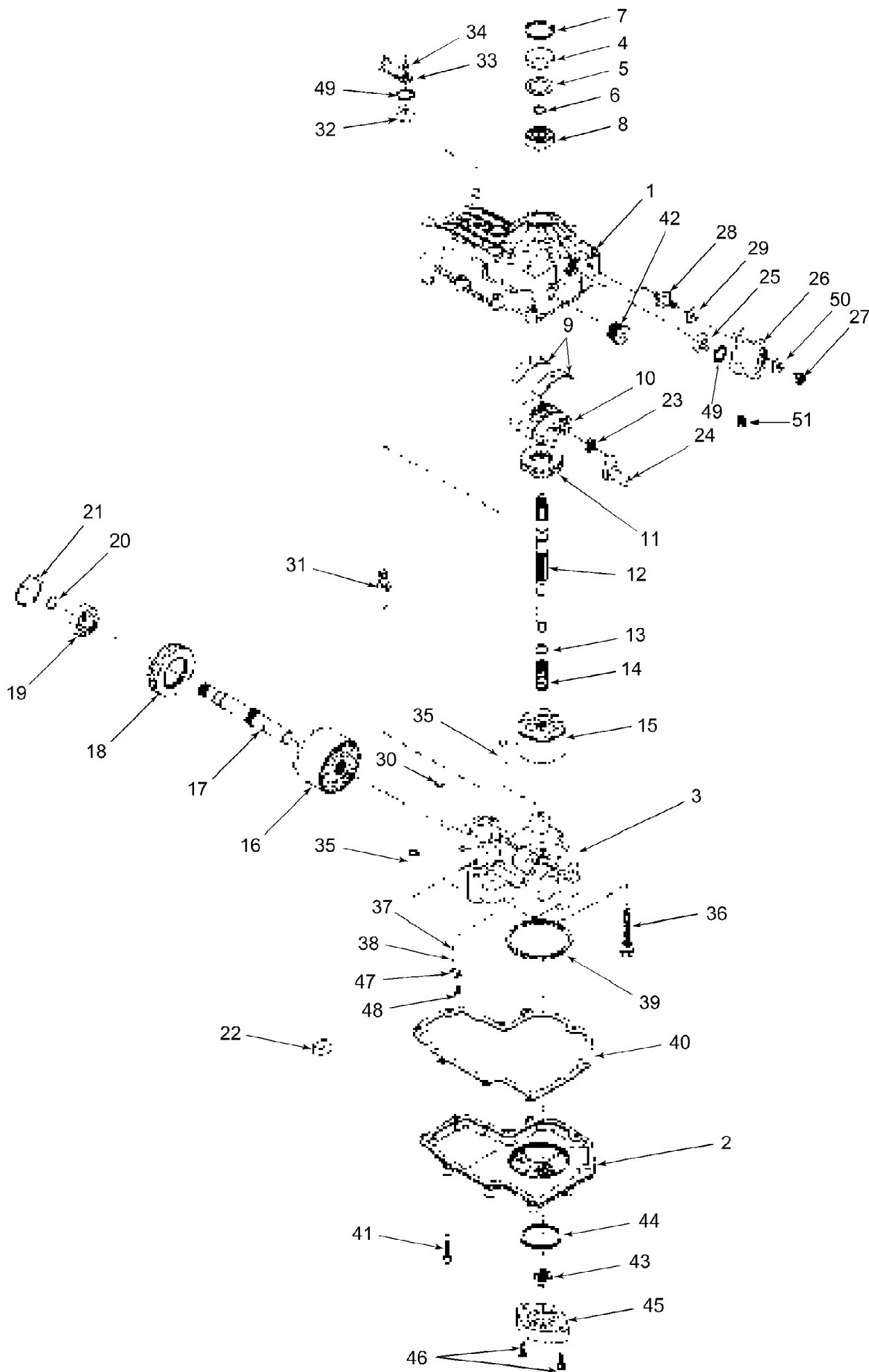
Page 21 of 32

Ref #	Part Number	Qty	S/P/F	Description
1	737-3069	1		Pipe Plug
2	737-3070A	1		Pipe Dipstick
3	603-0639	1		Hydraulic Tank Assembly
4	727-3116	1	S	Connection Fitting
5	721-0223	1	S	Seal
6	738-0940	1	/P	Drain Plug
7	727-3120	1		Inlet Tube LH
8	727-3155	1		Tee Fitting
9	727-3154	1		Outlet Hose RH
10	727-3121	1		Inlet Tube RH
11	727-3153	1		Outlet Hose LH
12	710-0216	1	/P	Hex Cap Screw 3/8-16 x .75
13	712-0455	1		Retainer Nut 3/8-16
14	747-3360	1	S	Belt Retainer Rod RH
15	710-0378	1	/P	Hex Cap Screw 5/16-18 x 2.5
16	736-3089	1	/P	Flat Washer 5/16
17	723-3071	1		Filter Element
18	731-1449A	1	S	Fan Blade
19	712-0333	1	S	Hex Nut 1/2-20
20	703-3168	1		Mounting Pulley Bracket
21	756-0625	1		Roller Cable
22	738-0924	1	S	Hex Shoulder Screw 1/4-28 x .375
23	703-3169	1		Retainer Cable Bracket
24	712-0117	1	S	Lock Nut 1/4-28
25	618-3165	1		Complete Transmission Assembly LH
26	712-3050	1	/P	Lug Nut
27	710-0347	1	/P	Hex Cap Screw 3/8-16 x 1.75
28	736-0258	1	/P	Flat Washer .385 ID x 1.0 OD
29	756-0627	1	S	Flat Idler Pulley 3.5 OD
30	703-3174	1		Mounting Bracket Cable
31	712-3019	1	S	Hex Nut 7/16-14
32	736-0171	1	S	Lock Washer 7/16
33	736-3015	1	S	Flat Washer .469 ID x .875 OD
34	603-0377A	1	S	Idler Arm Assembly
35	603-0102	1		Shoulder Screw
36	732-0478	1	S	Extension Spring 6.12 Lg
37	712-0431	1	S	Flange Lock Nut 3/8-16
38	712-0138	1	S	Hex Nut 1/4-28
39	736-0329	1	S	Lock Washer 1/4
40	736-0342	1		Flat Washer .283 ID x .75 OD
41	710-0428	1		Hex Cap Screw 1/4-28 x 1.25
42	710-3008	1	/P	Hex Cap Screw 5/16-18 x .75
43	710-3011	1	/P	Hex Cap Screw 3/8-16 x 2.25
44	603-0362	1	S	Idler Pulley Assembly 5.0"
45	703-2888	1	S	Idler Bracket
46	712-3004A	1	/P	Flange Lock Nut 5/16-18
47	710-3103	1	/P	Hex Cap Screw 5/16-18 x 2.0
48	727-3100	1	S	Connection Fitting 1/2 x 3/8
49	603-0358B	1	S	Skid Plate Assembly
50	747-3361	1		Belt Rod LH
51	603-0450	1	S	Support Pump Assembly
52	710-3178	1	/P	Carriage Bolt 3/8-16 x .75
53	749-3040			

Z-165
Hydraulic Drive

Page 22 of 32

Ref #	Part Number	Qty	S/P/F	Description
54	736-0921	1	S	Lock Washer 1/2
55	710-1189	1		Hex Washer Screw #12-24 x .625
56	756-0974	1	/P	Transmission Pulley
57	732-0729	1	/P	Wire Ring
58	736-0185	1	S	Flat Washer
59	710-3144	1	/P	Hex Cap Screw 3/8-16 x 2.0
60	618-3164	1		Complete Tranmission Assembly RH
61	710-0751	1	/P	Hex Cap Screw 1/4-20 x .62
62	703-2907	1		Bearing Cup
63	741-0600	1	S	Ball Bearing
64	756-3085	1		Idler Pulley 5.0"
65	712-0324	1	/P	Hex Lock Nut 1/4-20
66	750-3176	1		Idler Spacer
67	746-3083	1		Declutching Cable
68	712-3007	1	/P	Jam Nut 5/16-18

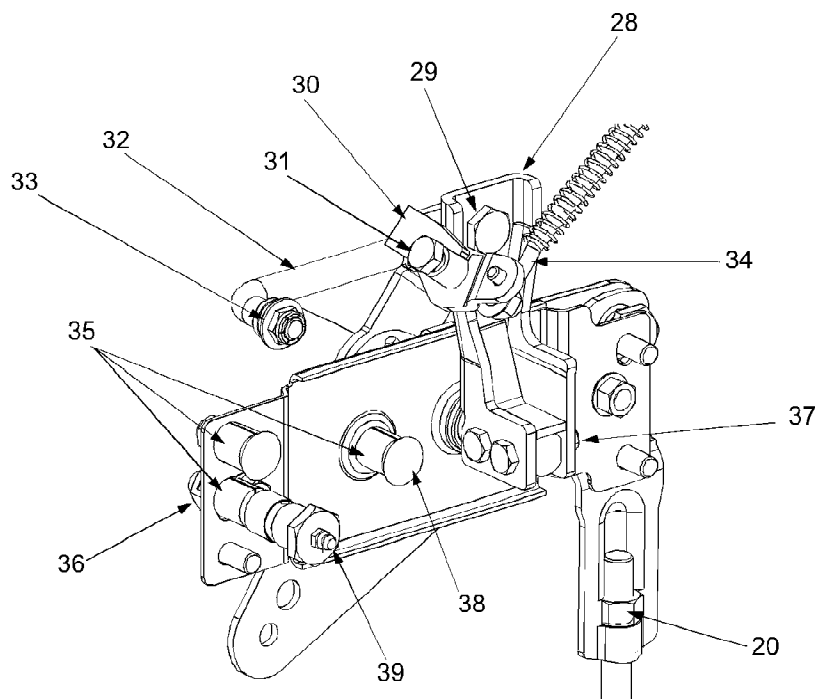
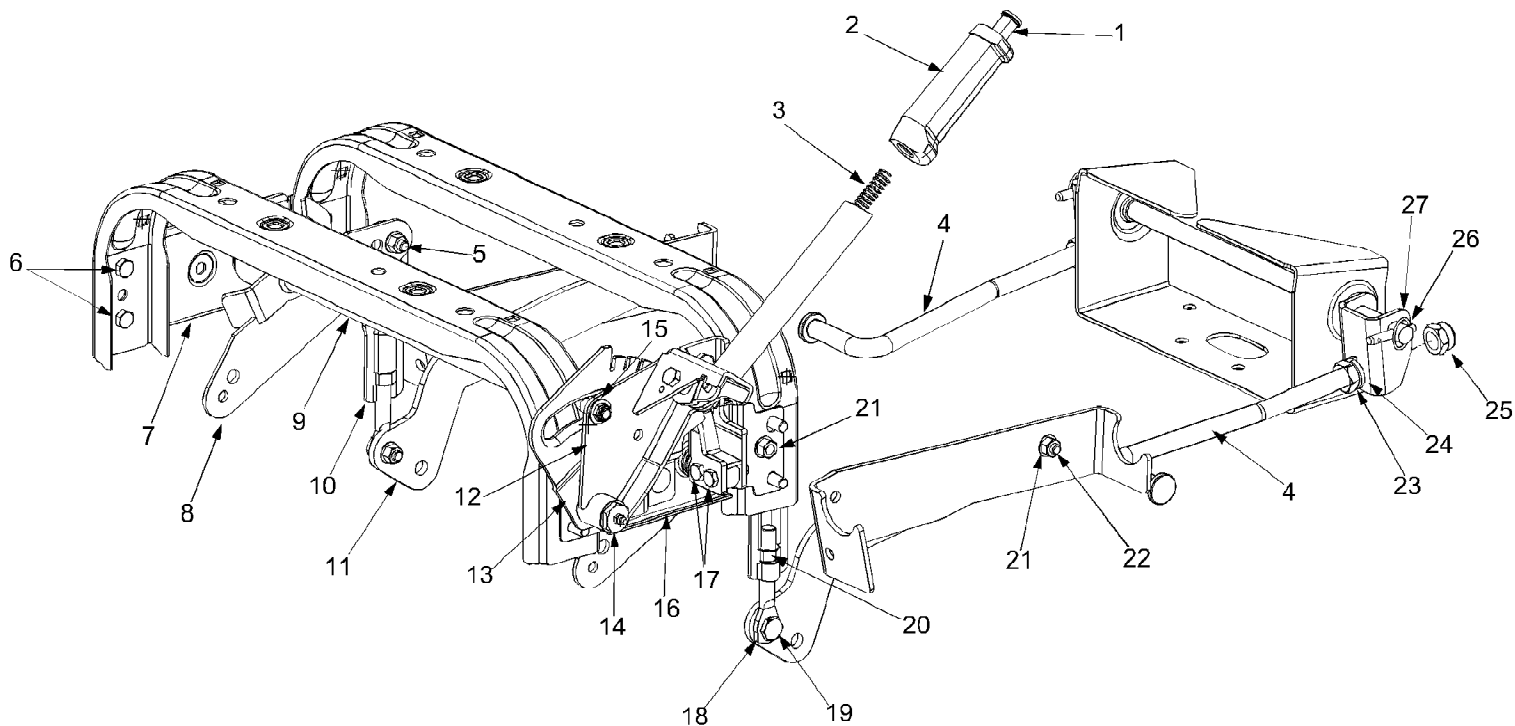


Z-165

Page 24 of 32

Hydrostatic Transmission

Ref #	Part Number	Qty	S/P/F	Description
	717-3455	1	S	Transmission Ass'y Hydro Not shown
1	HG-70304	1		Housing Ass'y Upper
2	HG-50301	1		Lower Housing
3	HG-70299	1	S	Center Section Assembly
4	HG-9008000-0128	1	/P	Lip Seal
5	HG-2003018	1	/P	Spacer
6	HG-2003016	1	/P	Wire Retaining Ring
7	HG-2003052	1	/P	Retaining Ring
8	HG-2003043	1	S	Ball Bearing
9	HG-2003023	1	S	Cradle Bearing
10	HG-2003087	1	/P	Variable Swashplate
11	HG-50551	1	S	Thrust Bearing
12	HG-50303	1		Input Shaft
13	HG-2003017	1	/P	Block Thrust Washer
14	HG-2003014	1	/P	Block Spring
15	HG-70079	1	S	Cylinder Block Assembly
16	HG-70082	1	/P	Cylinder Block Assembly
17	HG-50304	1		Output Shaft (Motor)
18	HG-50552	1	/P	Thrust Bearing
19	741-0361	1	S	Ball Bearing
20	HG-2000022	1	/P	Wire Retaining Ring
21	HG-50329	1	/P	Retaining Ring
22	HG-50649	1		Motor Bearing Retaining
23	HG-2000015	1	/P	Slot Guide
24	HG-2003005	1	/P	Trunnion Arm
25	HG-9008000-0126	1	/P	Lip Seal
26	HG-45007	1	/P	Control Arm
27	712-0237	1	S	Hex Lock Nut 5/16-24
28	HG-50426	1		Short Stud 5/16-24
29	HG-50281	1		Friction Puck
30	HG-2003554	1	S	Bypass Plate
31	HG-2003555	1		Bypass Actuator
32	HG-45074	1	/P	Lip Seal
33	HG-50270	1		Bypass Arm
34	HG-44870	1		Retaining Ring
35	HG-50002	1	/P	Pin
36	HG-50016	1		Screw
37	HG-2000029	1		Charge Relief Spring
38	HG-9001214-2500	1		Ball
39	HG-50578	1	/P	O-Ring
40	HG-50331	1	/P	Gasket
41	HG-44876	1	/P	Self Tapping Screw
42	HG-9005110-8700	1	/P	Drain Plug
43	HG-50273	1	/P	Gerotor Assembly
44	HG-9004101-1340	1	/P	O-Ring
45	HG-50260	1		Gerotor Cover
46	HG-50095	1		Screw
47	HG-50651	1		Relief Plate
48	HG-50653	1	/P	Screw
49	HG-50650	1		Retaining Ring
50	736-0371	1	/P	Washer
51	HG-50018	1		Set Screw

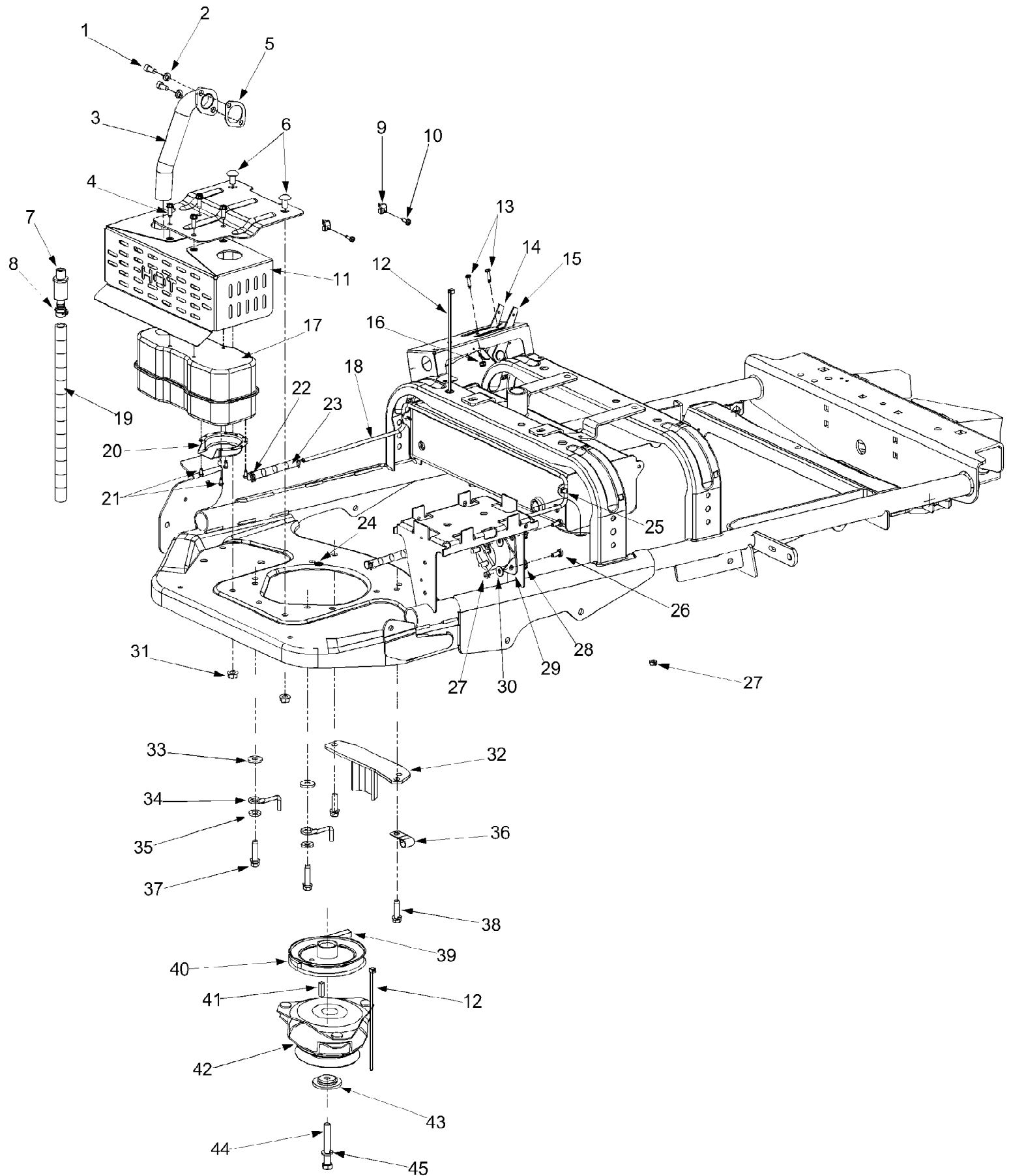


Z-165
Lift System

Page 26 of 32

Ref #	Part Number	Qty	S/P/F	Description
1	711-0642A	1	/P	Handle Button
2	731-3158	1		Handle Deck Lift Grip
3	732-3097	1		Compression Spring
4	747-3405	1		Front Lift Rod
5	738-0507B	1	S	Shoulder Screw .500 Dia x .434
6	710-0216	1	/P	Hex Cap Screw 3/8-16 x .75
7	603-0422	1	S	Shaft Mounting Bracket - LH
8	603-0370	1		Pivot Link Bearing Ass'y
9	603-0313	1	S	Lift Shaft Ass'y
10	703-2621	1		Adjustable Deck Lift Link
11	703-2780	1		Lift Parallel Link
12	603-0327	1		Handle Bearing Ass'y
13	703-2772	1		Deck Height Adjustable Plate
14	738-3150	1		Lift Handle Shoulder Screw
15	712-3020	1	S	Top Lock Jam Nut 3/8-16
16	603-0423	1		Shaft Mounting Bracket - RH
17	710-3083	1	/P	Hex Cap Screw 5/16-18 x 1.375
18	711-0773	1		Eye Bolt Adjustable Link
19	738-0380	1	S	Shoulder Screw 3/8-16
20	712-0206	1	S	Hex Nut 1/2-13
21	712-0431	1	S	Flange Lock Nut 3/8-16
22	738-3151	1		Shoulder Screw 3/8-16 .56 x .27
23	712-3015	1	S	Jam Nut 5/8-11
24	736-0158	1	S	Lock Washer 5/8
25	712-3016	1	/P	Lock Hex Nut 5/8-11
26	711-3266	1	S	Clevis Pin
27	703-3407	1	S	Front Lift Bracket
28	603-0401	1	S	Lift Arm Ass'y
29	738-0183	1	S	Shoulder Screw 3/8-16 .50 x .21
30	603-0257	1	/P	Fork Lift Ass'y
31	710-3011	1	/P	Hex Cap Screw 3/8-16 x 2.25
32	747-3276	1		Lift Link Rod
33	736-0300	1	S	Flat Washer .406 x .875
34	747-3267	1		Handle Arm
35	750-3200	1		Spacer .448 ID x .688 OD
36	712-0290	1	/P	Lock Nut 7/16-14
37	712-3009	1	S	Hex Center L-Nut 5/16-18
38	710-0431	1	/P	Hex Screw 3/8-16 x 1.50
39	737-0280	1	S	Grease Fitting

Z-165
Muffler, Controls & PTO Clutch

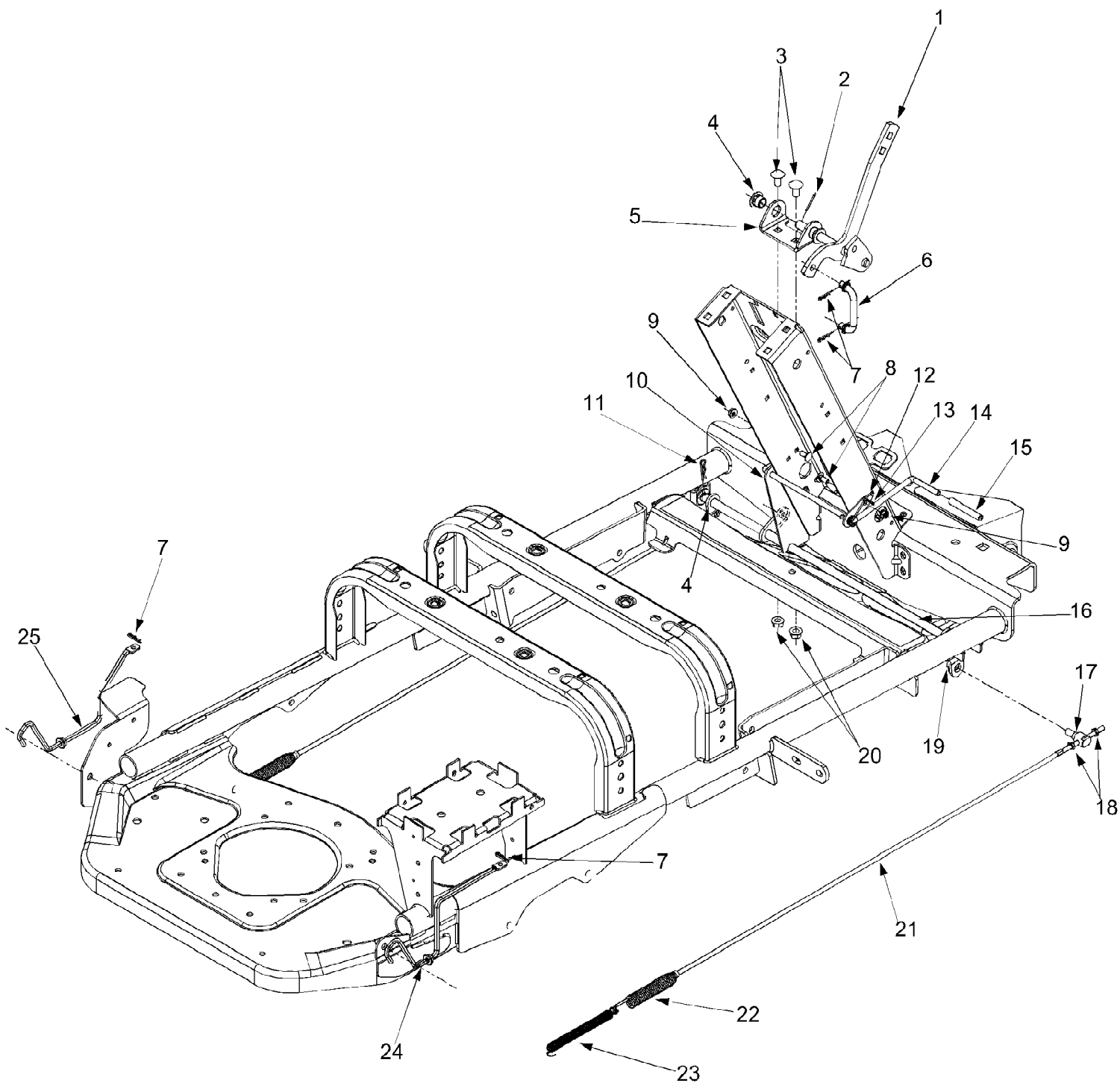


Z-165

Page 28 of 32

Muffler, Controls & PTO Clutch

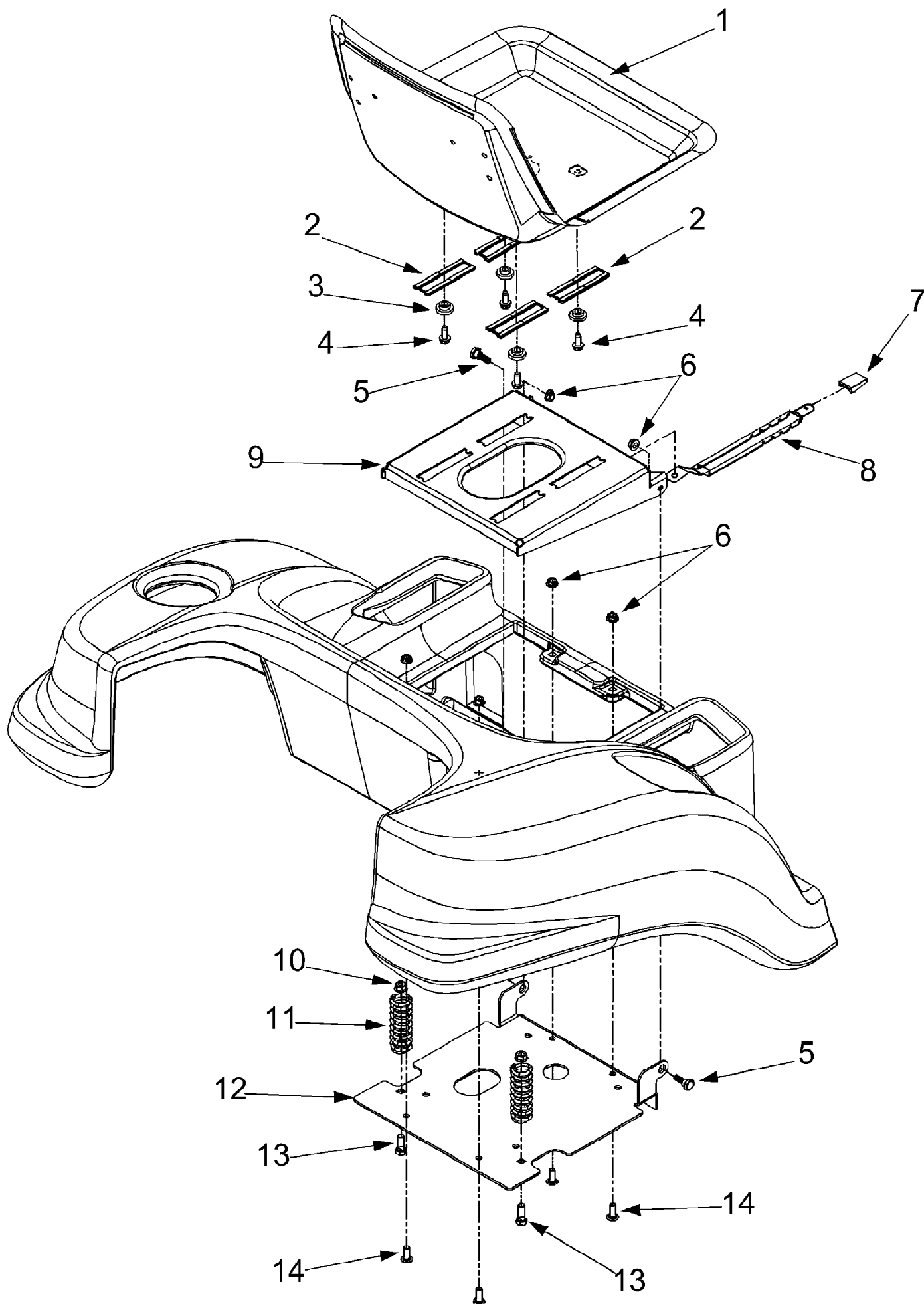
Ref #	Part Number	Qty	S/P/F	Description
1	710-1314	1	S	Cap Screw 5/16-18
2	736-0119	1	S	Lock Washer 5/16
3	751-0619	1	S	Exhaust Pipe
4	710-0642	1	/P	Hex Washer Screw 1/4-20 x .75
5	721-0208	1	S	Exhaust Gasket
6	710-3178	1	/P	Carriage Bolt 3/8-16 x .75
7	751-3140	1	S	Oil Drain
8	751-3142	1		Oil Drain Cap
9	751B213146	1	/P	Throttle Clamp
10	710-1237	1		Hex Washer Screw #10-32 x .625
11	703-3004	1	S	Muffler Bracket
12	725-0157	1	/P	Cable Tie
13	710-3009	1	/P	Screw #10-24 x .75
14	746-3074	1		Throttle Cable Control 32"
15	746-3073	1		Choke Cable Control 32.25"
16	712-0161	1	/P	Hex Lock Nut #10 - 24
17	751-0617	1	S	Muffler
18	749-3048	1		Fuel Line
19	751-3141	1	S	Oil Drain Hose
20	751-0564	1	S	Muffler Deflector
21	710-0148	1	/P	Hex Washer Screw #8-32 x .375
22	726-0205	1	/P	Hose Clamp
23	751-0535	1		Fuel Line Hose
24	736-0607	1	/P	Lock Washer 5/16
25	725-1711	1		Retainer Clip
26	710-0751	1	/P	Hex Cap Screw 1/4-20 x .620
27	712-0291	1	S	Hex Lock Nut 1/4-20
28	736-3006	1		Lock Washer 1/4 ID x 3/4 OD
29	725-3001	1	S	Solenoid
30	736-0270	1	/P	Bell Washer .265 ID x .75 OD
31	712-0431	1	S	Flange Lock Nut 3/8-16
32	603-0317	1	S	Clutch Retainer Ass'y
33	736-0258	1	/P	Flat Washer .385 ID x 1.0 OD
34	747-3362	1		Rear Belt Retainer Rod
35	736-3010	1		Flat Washer .407 ID x .812 OD
36	726-3008	1	/P	Heat Shield Cable Clip
37	710-1007	1	/P	Hex Washer Screw 3/8-16 x 1.5
38	710-0502A	1	/P	Hex Washer Screw 3/8-16 x 1.25
39	754-3076	1	S	V-Belt
40	756-3060	1		Pulley
41	714-0128	1	/P	Key
42	717-3467	1		Electric Clutch
43	750-3106	1		Spacer Clutch
44	710-0510	1	/P	Hex Cap Screw 7/16-20 x 3.0
45	736-0171	1	S	Lock Washer 7/16



Z-165
Parking Brake & Linkage

Page 30 of 32

Ref #	Part Number	Qty	S/P/F	Description
1	603-0649	1		Parking Brake Shift Ass'y
2	714-3004	1		Cotter Pin
3	710-3178	1	/P	Carriage Bolt 3/8-16 x .75
4	741-0324	1	S	Hex Flange Bearing .506 ID x .590
5	703-3400	1		Brake Mounting Bracket
6	747-3404	1		Connecting Brake Rod
7	714-0104	1	S	Cotter Pin
8	710-0134	1	/P	Carriage Screw 1/4-20 x .62
9	712-3027	1	S	Hex Flange Lock Nut 1/4-20
10	703-3405	1		Support Plate
11	714-0101	1	S	Cotter Pin
12	703-2857	1		Retaining Rod Bracket
13	732-0827	1		Torsion Spring 5/16
14	747-3397	1		Parking Brake Retaining Rod
15	735-0664	1		Parking Brake Pad
16	603-0683	1		Brake Rod Ass'y
17	711-3357	1	S	Ferrule
18	712-0314	1		Jam Nut 1/4-28
19	736-0258	1	/P	Flat Washer .385 ID x 1.0 OD
20	712-0431	1	S	Flange Lock Nut 3/8-16
21	747-3266A	1	/P	Bracket Rod
22	732-0463	1	S	Extension Spring
23	732-0800	1		Extension Spring
24	747-3284	1		Release Pump Rod RH
25	747-3363	1		Release Pump Rod LH



Z-165
Seat Assembly

Page 32 of 32

Ref #	Part Number	Qty	S/P/F	Description
1	757-3006	1		Seat
2	731-3154	1		Seat Slide
3	738-0372	1	S	Shoulder Spacer
4	710-1260A	1	/P	Hex Washer Screw 5/16-18 x .75
5	738-0296	1	S	Shoulder Screw
6	712-3004A	1	/P	Flange Lock Nut 5/16-18
7	720-0190	1	S	Height Knob
8	732-3098	1		Spring Index
9	603-0294	1	S	Seat Base Bracket Assembly
10	712-3005	1	S	Flange Lock Nut 3/8-16
11	732-3080	1	S	Compression Spring
12	703-3498	1		Seat Plate
13	710-0514	1	/P	Hex Cap Screw 3/8-16 x 1.0
14	710-3105	1		Bolt 5/16-18 x .875