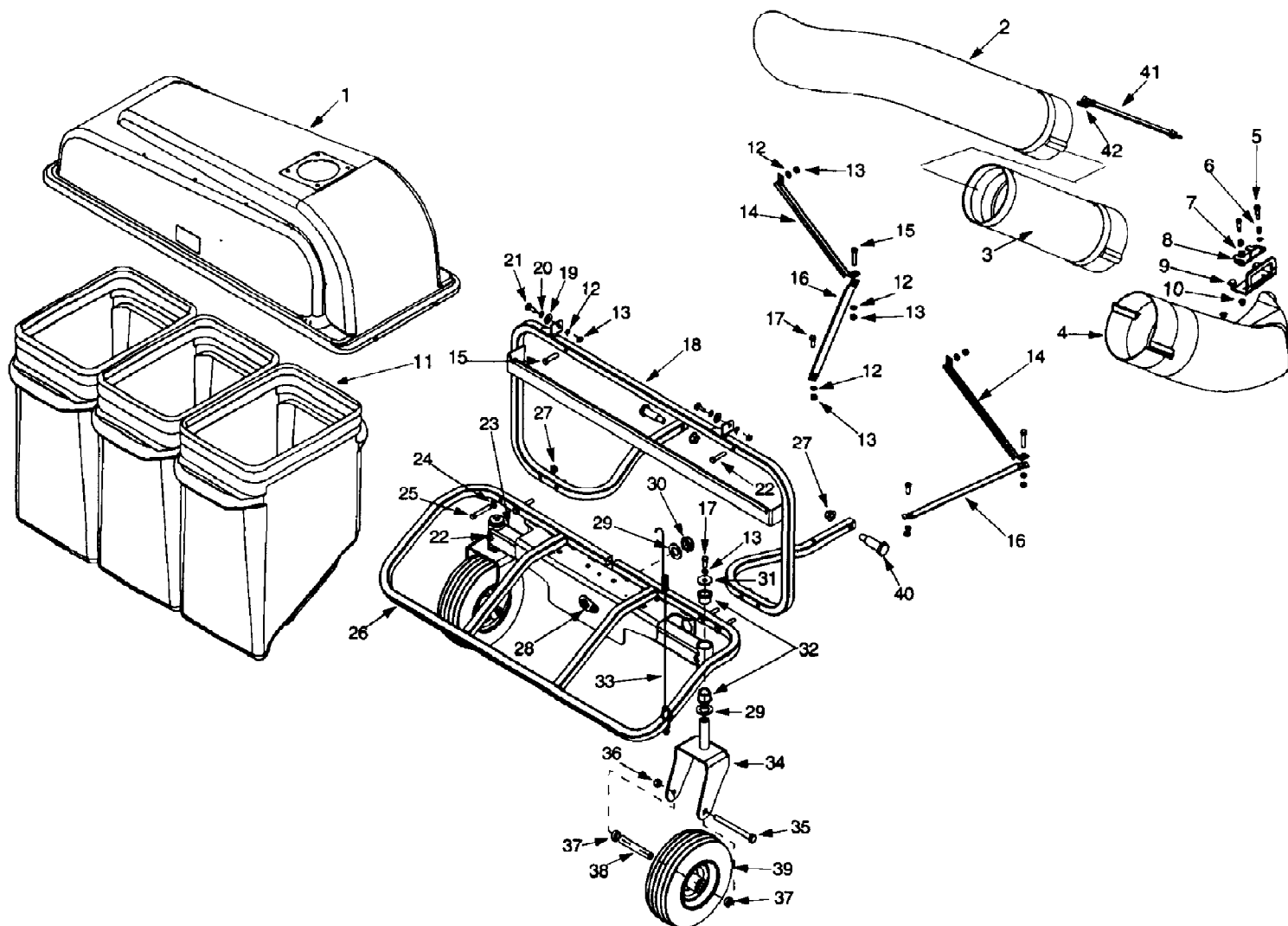


590-515-190 Triple Bagger
Triple Bagger



590-515-190 Triple Bagger
Triple Bagger

Page 2 of 2

Ref #	Part Number	Qty	S/P/F	Description
1	664-0096	1		Cover Assembly
2	731-0899A	1	S	Upper Tube Chute
3	731-3334	1	S	Chute Extension
4	731-3319	1	S	Discharge Chute
5	738-3174	1		Shoulder Screw
6	732-0334	1	S	Compression Spring .50 OD x .5
7	736-0117	1	S	Flat Washer
8	703-3604	1		Bagger Latch
9	703-3538	1		Chute Bracket
10	712-3004A	1	/P	Lock Nut 5/16-18
11	731-3322	1		Grass Bag Container
12	736-0169	1	S	Lock Washer 3/8
13	712-0798	1	/P	Hex Nut 3/8-16
14	703-3558	1	S	Cover Support Brace
15	710-0347	1	/P	Hex Cap Screw 3/8-16 x 1.75
16	703-3559	1	S	Bagger Hitch Brace
17	710-0514	1	/P	Hex Cap Screw 3/8-16 x 1.0
18	603-0761	1	S	Cover Support Frame Assembly
19	736-0255	1	S	Bell Washer .510 ID x 1.14 OD
20	736-0108	1	S	Flat Washer.510 ID x .750 OD
21	738-0380	1	S	Shoulder Screw
22	737-0280	1	S	Grease Fitting
23	603-0762	1	S	Axle Assembly
24	736-3050	1	/P	Flat Washer .406 ID x .810 OD
25	710-0859	1	/P	Hex Cap Screw 3/8-16 x 2.5
26	603-0760	1		Bag Support Assembly
27	712-0431	1	S	Lock Nut 3/8-16
28	603-0389A	1		Pivot Pin Assembly
29	736-0274	1	S	Washer
30	712-3075	1	/P	Lock Nut
31	736-0227	1	S	Flat Washer .390 ID x 1.5 OD
32	731-0374	1	S	Flange Bearing
33	746-3088	1		Cable Latch
34	603-0363	1		Castor Wheel Bracket Assembly
35	710-0506	1	/P	Hex Cap Screw 1/2-20 x 5.50
36	712-0239	1	S	Hex Lock Nut 1/2-20
37	750-0456	1	S	Spacer .790 ID x .347 Lg.
38	750-3197	1	S	Wheel Spacer
39	634-3163	1	/P	Wheel Assembly
40	738-1014	1	/P	Shoulder Bolt
41	723-0476	1		Retainer Strap Assembly
42	16606	1	S	Retainer Clip