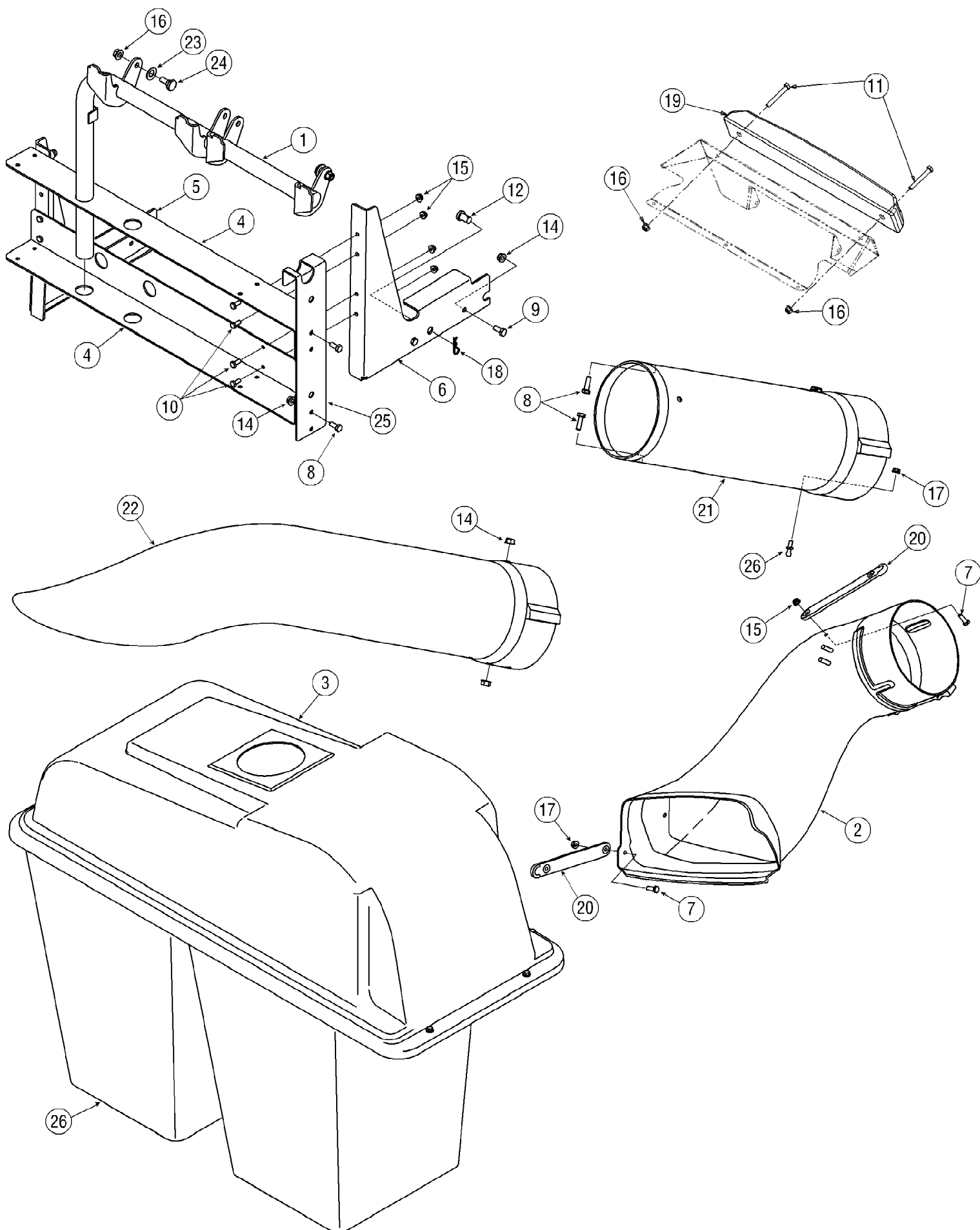


Ref #	Part Number	Qty	S/P/F	Description
1	16592	1	S	Support Tube Assembly
2	16606	1	S	Retainer Hook
3	603-04198	1	S	Mounting Assembly RH
4	603-04199	1	S	Mounting Assembly LH
5	603-04201	1		Weight Bar Bracket
6	664-04017	1		Grasscatcher Cover Assembly
7	703-05195	1	S	Hanger Bracket
8	703-05494	1	/P	Clamp: Weight Bar Bracket
9	710-0751	1	/P	Hex Bolt 1/4-20 x .620
10	710-0870	1	/P	Hex Washer Hd. Bolt 3/8-16 x .625
11	710-3008	1	/P	Hex Bolt 5/16-18 x .75
12	710-3011	1	/P	Hex Bolt 3/8-16 x 2.25
13	710-3015	1	/P	Hex Bolt 1/4-20 x .75
14	710-3144	1	/P	Hex Bolt 3/8-16 x 2.0
15	712-0431	1	S	Top Lock Flange Nut 3/8-16
16	712-3004A	1	/P	Flange Lock Nut 5/16-18
17	712-3027	1	S	Flange Lock Nut 1/4-20
18	01003789	1	S	Weight Bar
19	731-3334A	1	/P	Chute Extension
20	731-3338	1		Chute Tube
21	736-0253	1	S	Bell Washer
22	738-0380	1	S	Shoulder Screw
23	783-0601	1	S	Catcher Support Bracket
24		1		Grass Bag Assembly
24	16591A	1	S	Bag Frame Hanger Bracket
24	710-0473	1	/P	Screw, #10-24 x .5
24	712-0272	1	/P	Hex Sems Nut, 10-24
24	764-0221	1	S	Bag
24	749-0701A	1	S	Frame Tube for Bag
24	710-0604	1	S	Self Tapping Screw, 5/16-18 x .625
25	703-05564	1	/P	Deflector Support Bracket
26	723-0383	1	S	Retainer Strap
27	723-04008A	1	/P	Chute Strap
28	728-0180	1	S	Rivet .187 Dia. #66
29	731-04777A	1	S	Chute Elbow
30	711-04069	1	S	Grasscatcher Pin



590-302-000 Double Bagger
Bagger Assembly 2

Page 4 of 4

Ref #	Part Number	Qty	S/P/F	Description
1	16592	1	S	Support Tube Assembly
2	731-04137	1		Chute Elbow
3	664-04017	1		Grasscatcher Cover Assembly
4	703-05195	1	S	Hanger Bracket
5	703-05856A	1	S	Catcher Support Bracket LH
6	703-05858A	1	S	Catcher Support Bracket RH
7	710-0106	1	/P	Hex Bolt 1/4-20 x 1.25 Gr5
8	710-0376	1	/P	Hex Bolt 5/16-18 x 1.00 Gr5
9	710-3008	1	/P	Hex Head Screw 5/16-18 Gr5
10	710-3015	1	/P	Hex Bolt 1/4-20 x .75 Gr5
11	710-3022	1	/P	Hex Bolt 3/8-16 x 2.75 Gr5
12	711-0332	1	S	Clevis Pin, .5 x .78
13	711-04069	1	S	Grasscatcher Pin
14	712-04063	1	/P	Flange Lock Nut 5/16-18 GrF
15	712-04064	1	/P	Flange Lock Nut 1/4-20 GrF
16	712-04065	1	/P	Flange Lock Nut 3/8-16 GrF
17	712-3027	1	S	Flange Lock Nut 1/4-20 GrF
18	714-04023	1	S	Cotter Pin
19	719-04271A	1		Weight Bar Bolts to foot rest.
20	723-04008A	1	/P	Chute Strap
21	731-3334A	1	/P	Chute Extension
22	731-3338	1		Chute Tube
23	736-0253	1	S	Bell Washer
24	738-0380	1	S	Shoulder Screw
25	783-0601	1	S	Catcher Support Bracket
26	864-0221	1		Grass Bag Assembly