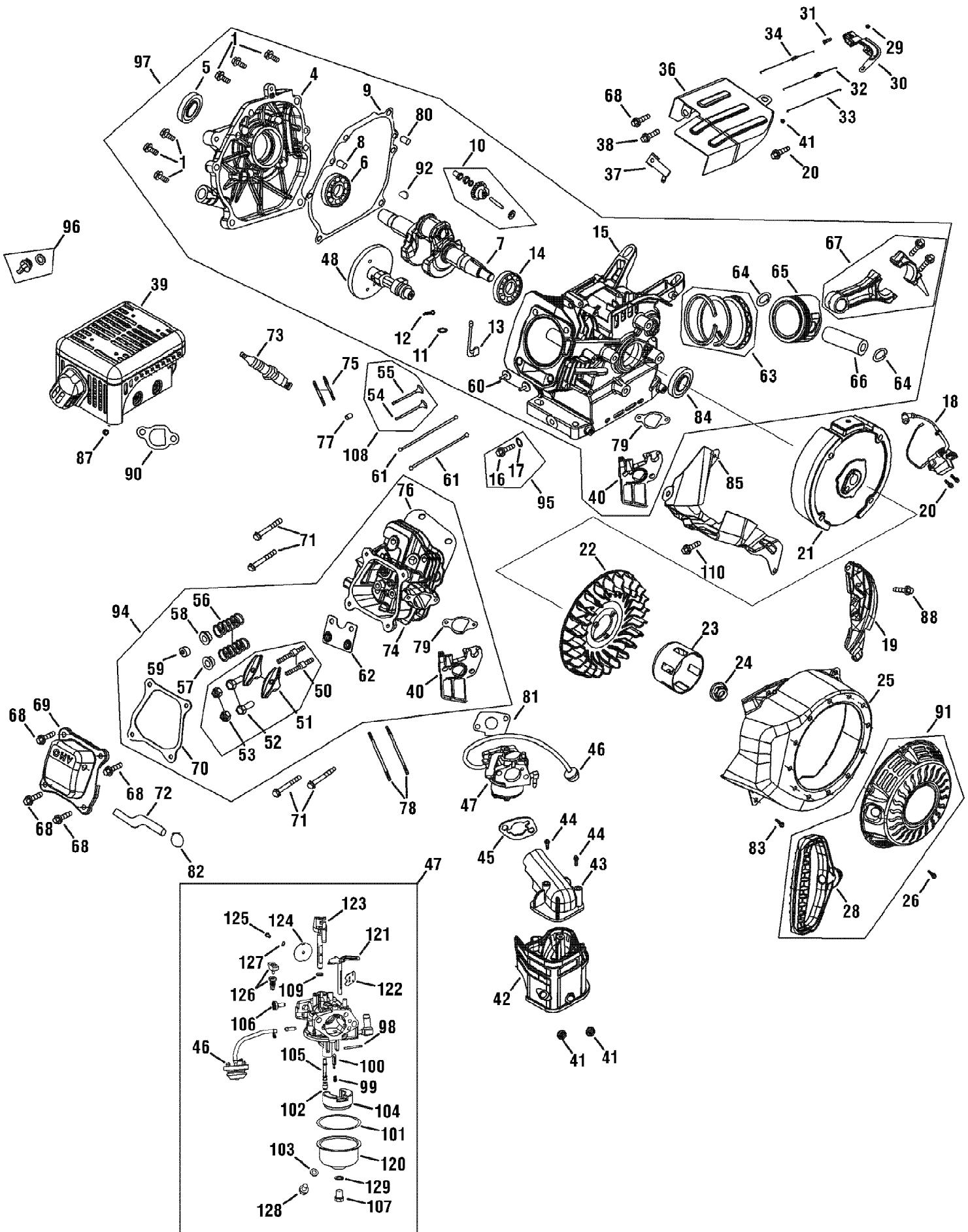


31A-2M1A897 (2010)
Chute,Handles & Shrouds

Page 2 of 15

Ref #	Part Number	Qty	S/P/F	Description
1	684-04236A	1		Shroud Ass'y (Model 2M1)
2	710-04669	1		Hex Wash B-Tapp Scr #10 x .62" Lg.
3	710-1205	1	/P	Eyebolt 1/4-20
4	720-0279	1	/P	Handle Knob Assembly
5	710-0895	1		Hex Tapp Scr 1/4 x .75" Lg.
6	712-04063	1	/P	Flange Locknut 5/16-18 Gr. F, Nylon
7	710-1090	1	/P	Hex Flg. Screw 5/16-18 x 1.25
8	931-04353	1	/P	Lower Chute Ring
9	932-04111	1	/P	Chute Adjustment Spring
10	931-04886	1	/P	Chute Adapter 5" Dia
11	931-04127	1	/P	Lower Chute 5" Dia
12	731-04354B	1	/P	Upper Chute
13	720-04072A	1	/P	Handle Knob Assembly
14	731-04388A	1		Chute Handle
15	710-0451	1	/P	Carriage Bolt 5/16-18 x .75
16	710-04071	1		Carriage Screw 5/16-18 x 1.0
17	725-0157	1	/P	Cable Tie
18	720-04072A	1	/P	Handle Knob Assembly
19	710-04532	1		Carriage Bolt 5/16-18 x 2.0 Gr. 5
20	749-04106A-0637	1		Gullwing Handle
21	747-04159A-0637	1	/P	Control Bail
22	731-1033	1	/P	Shave Plate
23	712-04064	1	/P	Hex L-Flanged Nut 1/4-20 Gr. F Nylon
24	710-0134	1	/P	Carriage Bolt 1/4-20 x .62
25	710-3008	1	/P	Hex Screw 5/16-18 x .75
26	936-0176	1	/P	Flat Washer .25 ID x .93 OD x .125
27	746-04237	1		Control Cable
28	749-04459-0637	1	/P	Upper Handle
29	747-04165-0637	1	/P	Control Bail
30	749-04114B-0637	1	/P	Lower Handle
31	731-06551	1		Shroud Ass'y (Mod els 2N1 & 2P5)



31A-2M1A897 (2010)
Engine Assembly 161-JWA

Page 4 of 15

Ref #	Part Number	Qty	S/P/F	Description
1	710-04920	1		Flange Bolt
1	710-04920	7		Flange Bolt Furnish 951-10950A, Short Block Assembly
2	N/A	1		O-Ring Furnish 951-10951A, Gasket Kit Complete
2	N/A	1		O-Ring Furnish 951-10952A, Gasket Kit External
4	N/A	1		Crankcase Cover Furnish 951-11095, Crankcase Cover Kit
4	N/A	1		Crankcase Cover Furnish 951-10950A, Short Block Assembly
5	N/A	1		Oil Seal Furnish 951-10951A, Gasket Kit Complete
5	N/A	1		Oil Seal Furnish 951-10950A, Short Block Assembly
6	N/A	1		Bearing Furnish 951-11096, Crankshaft Kit
6	N/A	1		Bearing Furnish 951-10950A, Short Block Assembly
7	N/A	1		Crankshaft Assembly Furnish 951-11096, Crankshaft Kit
7	N/A	1		Crankshaft Assembly Furnish 951-10950A, Short Block Assembly
8	715-04092	1		Dowel Pin, 7 x 14
8	715-04092	1		Dowel Pin, 7 x 14 Furnish 951-10950A, Short Block Assembly
9	N/A	1		Crankcase Cover Gasket Furnish 951-11095, Crankcase Cover Kit
9	N/A	1		Crankcase Cover Gasket Furnish 951-10951A, Gasket Kit Complete
9	N/A	1		Crankcase Cover Gasket Furnish 951-10950A, Short Block Assembly
10	N/A	1		Governor Assembly Furnish 951-10950A, Short Block Assembly
11	N/A	1		O-Ring, 5.2 x 1.9 Furnish 951-10951A, Gasket Kit Complete
11	N/A	1		O-ring Gov. Shaft Furnish 951-10950A, Short Block Assembly
12	714-04074	1		Governor Arm Clip
12	714-04074	1		Governor Arm Clip Furnish 951-10950A, Short Block Assembly
13	N/A	1		Governor Arm Shaft Furnish 951-10950A, Short Block Assembly
14	N/A	1		Bearing Furnish 951-11096, Crankshaft Kit

31A-2M1A897 (2010)
Engine Assembly 161-JWA

Page 5 of 15

Ref #	Part Number	Qty	S/P/F	Description
14	N/A	1		Bearing Furnish 951-10950A, Short Block Assembly
14	N/A	1		Bearing Furnish 951-11097, Crankcase Kit
15	N/A	1		Crankcase Complete Furnish 951-10950A, Short Block Assembly
15	N/A	1		Crankcase Complete Furnish 951-11097, Crankcase Kit
16	710-04906	1		Oil Drain Plug Bolt
16	710-04906	1		Oil Drain Plug Bolt Furnish 951-10950A, Short Block Assembly
16	710-04906	1		Oil Drain Plug Bolt Furnish 951-10370, Oil Drain Plug Assembly
17	736-04440	1	/P	Oil Drain Plug Washer
17	736-04440	1	/P	Oil Drain Plug Washer Furnish 951-10951A, Gasket Kit Complete
17	736-04440	1	/P	Oil Drain Plug Washer Furnish 951-10952A, Gasket Kit External
17	736-04440	1	/P	Oil Drain Plug Washer Furnish 951-10950A, Short Block Assembly
17	736-04440	1	/P	Oil Drain Plug Washer Furnish 951-10370, Oil Drain Plug Assembly
18	951-10958	1	/P	Ignition Coil
19	951-11102	1	/P	Flywheel Baffle
20	710-04919	1	/P	Flange Bolt
21	951-10908	1	/P	Flywheel
22	951-10910	1	/P	Cooling Fan
23	951-10911	1	/P	Starter Cup
24	712-04209	1	/P	Nut
25	951-11107	1	/P	Blower Housing
26	710-04914	1		Flange Bolt
28	731-05696	1		Recoil Starter Handle
29	712-04211	1	S	Nut
30	951-11106	1	/P	Governor Arm Bracket
31	710-04908	1		Bolt
32	951-10954	1	/P	Throttle Return Spring
33	951-11152	1	/P	Governor Rod
34	951-10953	1	/P	Governor Return Spring
36	951-11103	1	/P	Cover Shield
37	951-11104	1	/P	Governor Spring Bracket
38	710-04921	1		Flange Bolt
39	951-10901	1	/P	Muffler Assembly
40	N/A	1		Carburetor Insulator Plate Furnish 951-10949A, Cylinder Head Assembly
40	N/A	1		Carburetor Insulator Plate Furnish 951-10950A, Short Block Assembly
41	712-04212	1	/P	Nut
42	951-10962	1	/P	Intake Heater Box Base

Ref #	Part Number	Qty	S/P/F	Description
43	951-10961	1	/P	Intake Heater Box
44	710-04913	1		Bolt
45	N/A	1		Carburetor Gasket, Heater Box Furnish 951-10951A, Gasket Kit Complete
45	N/A	1		Heat Pipe Intake Gasket Furnish 951-10950A, Short Block Assembly
46	951-10639	1	S	Primer
46	951-10639	1	S	Primer Furnish 951-10639, Carburetor Assembly
47	951-10956	1	S	Carburetor Assembly
47	951-10956	1	S	Carburetor Assembly (Incl. Ref. No. 46, 98-107, 109, 120-129)
48	N/A	1		Camshaft Assembly Furnish 951-10950A, Short Block Assembly
50	710-04902	1		Pivot Bolt
50	710-04902	2		Pivot Bolt Furnish 951-10949A, Cylinder Head Assembly
51	N/A	2		Rocker Arm Furnish 951-10949A, Cylinder Head Assembly
51	N/A	1		Rocker Arm Furnish 753-06132 Push Rod-Rocker Arm Kit
52	751-11123	1		Valve Adjusting Nut
52	751-11123	2		Valve Adjusting Nut Furnish 951-10949A, Cylinder Head Assembly
53	751-11124	1		Pivot Locking Nut
53	751-11124	2		Pivot Locking Nut Furnish 951-10949A, Cylinder Head Assembly
54	N/A	1		Intake Valve Furnish 951-10912, Valve Kit
55	N/A	1		Exhaust Valve Furnish 951-10912, Valve Kit
56	N/A	2		Valve Spring Furnish 951-10949A, Cylinder Head Assembly
57	N/A	1		Intake Valve Spring Seat Furnish 951-10949A, Cylinder Head Assembly
58	N/A	1		Exhaust Valve Spring Seat Furnish 951-10949A, Cylinder Head Assembly
59	N/A	1		Exhaust Valve Adjuster Furnish 951-10949A, Cylinder Head Assembly
60	N/A	2		Valve Lifter Furnish 951-10950A, Short Block Assembly
61	951-10913	1	/P	Push Rod Kit
61	951-10913	1	/P	Push Rod Kit Furnish 951-10950A, Short Block Assembly
62	N/A	1		Push Rod Guide Plate Furnish 951-10949A, Cylinder Head Assembly

31A-2M1A897 (2010)
Engine Assembly 161-JWA

Page 7 of 15

Ref #	Part Number	Qty	S/P/F	Description
62	N/A	1		Push Rod Guide Plate Furnish 753-06132 Push Rod-Rocker Arm Kit
63	N/A	1		Piston Ring Set - Oil Furnish 951-10950A, Short Block Assembly
64	N/A	2		Piston Pin Clip Furnish 951-10950A, Short Block Assembly
65	N/A	1		Piston Furnish 951-10950A, Short Block Assembly
66	N/A	1		Piston Pin Furnish 951-10950A, Short Block Assembly
67	N/A	1		Connecting Rod Complete Furnish 951-10950A, Short Block Assembly
68	710-04916	1		Bolt
69	951-11054A	1	/P	Valve Cover
69	951-11054A	1	/P	Valve Cover Furnish 951-11063A, Valve Cover Kit
70	N/A	1		Head Cover Gasket Furnish 951-10951A, Gasket Kit Complete
70	N/A	1		Head Cover Gasket Furnish 951-10952A, Gasket Kit External
70	N/A	1		Head Cover Gasket Furnish 951-10949A, Cylinder Head Assembly
70	N/A	1		Valve Cover Gasket Furnish 951-11063A, Valve Cover Kit
70	N/A	1		Head Cover Gasket Furnish 951-10950A, Short Block Assembly
71	710-04922	1	/P	Bolt
72	731-07059	1		Breather Hose
73	951-10292	1	/P	Spark Plug
74	N/A	1		Cylinder Head - Complete Furnish 951-10949A, Cylinder Head Assembly
75	951-10657	1	/P	Muffler Stud Assembly
76	N/A	1		Cylinder Head Gasket Furnish 951-10951A, Gasket Kit Complete
76	N/A	1		Cylinder Head Gasket Furnish 951-10949A, Cylinder Head Assembly
76	N/A	1		Cylinder Head Gasket Furnish 951-10950A, Short Block Assembly
77	715-04090	1		Dowel Pin, 10 x 16
77	715-04090	2		Dowel Pin, 10 x 16 Furnish 951-10949A, Cylinder Head Assembly
78	710-04909	1		Carburetor Studs
79	N/A	1		Carburetor Insulator Gasket Furnish 951-10951A, Gasket Kit Complete

Ref #	Part Number	Qty	S/P/F	Description
79	N/A	1		Carburetor Insulator Gasket Furnish 951-10952A, Gasket Kit External
79	N/A	1		Carburetor Insulator Gasket Furnish 951-10949A, Cylinder Head Assembly
79	N/A	1		Carburetor Insulator Gasket Furnish 951-10950A, Short Block Assembly
80	715-04089	1		Dowel Pin, 9 x 14
80	715-04089	1		Dowel Pin, 9 x 14 Furnish 951-10950A, Short Block Assembly
81	N/A	1		Carburetor Gasket Furnish 951-10951A, Gasket Kit Complete
81	N/A	1		Carburetor Gasket Furnish 951-10952A, Gasket Kit External
82	726-04101	1		Hose Clamp
83	710-04916	1		Bolt
84	N/A	1		Oil Seal, 22 x 35 x 7 Furnish 951-10951A, Gasket Kit Complete
84	N/A	1		Oil Seal Furnish 951-10950A, Short Block Assembly
84	N/A	2		Oil Seal Furnish 951-11097, Crankcase Kit
85	951-11105	1	/P	Cylinder Baffle
87	712-04210	1		Nut
88	710-04918	1		Flange Bolt
90	951-10959	1	/P	Muffler Gasket
90	951-10959	1	/P	Muffler Gasket Furnish 951-10951A, Gasket Kit Complete
90	951-10959	1	/P	Muffler Gasket Furnish 951-10952A, Gasket Kit External
90	951-10959	1	/P	Muffler Gasket Furnish 951-10949A, Cylinder Head Assembly
90	951-10959	1	/P	Muffler Gasket Furnish 951-10950A, Short Block Assembly
91	951-10955	1	/P	Recoil Starter Assembly
92	951-10307	1	/P	Flywheel Key
92	951-10307	1	/P	Flywheel Key Furnish 951-11096, Crankshaft Kit
92	951-10307	1	/P	Flywheel Key Furnish 951-10950A, Short Block Assembly
94	951-10949A	1	/P	Cylinder Head Assembly (Incl. Ref. No. 40, 50-53, 56-59, 62, 70, 74, 76, 77, 79, 90, 108)
95	951-10370	1	/P	Oil Drain Plug and Washer Assembly (Incl. Ref. No. 16-17)
96	951-10957	1	/P	Dipstick Assembly

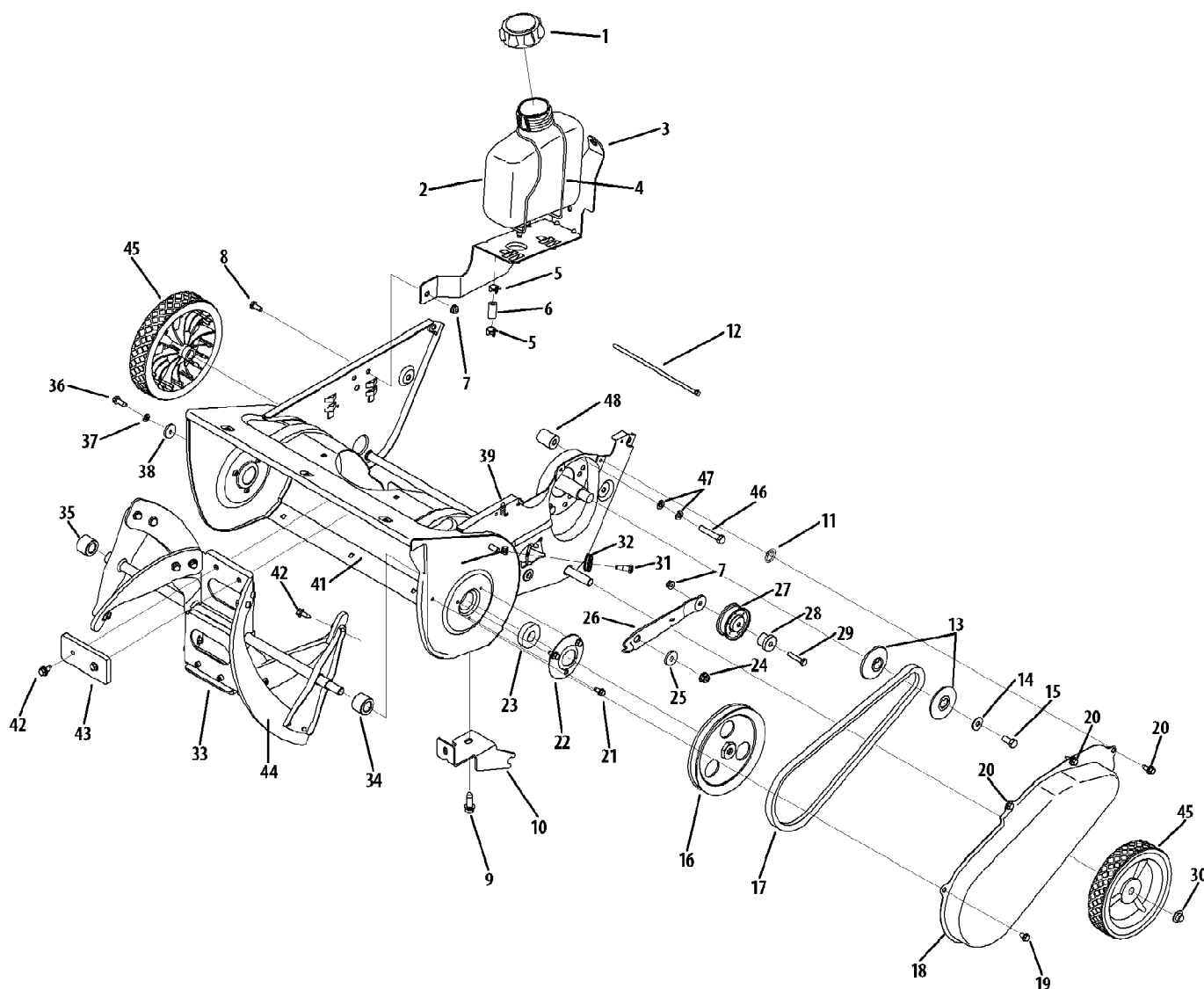
Ref #	Part Number	Qty	S/P/F	Description
96	951-10957	1	/P	Dipstick Assembly Furnish 951-11095, Crankcase Cover Kit
96	951-10957	1	/P	Dipstick Assembly Furnish 951-10950A, Short Block Assembly
97	951-10950A	1	/P	Short Block Assembly (Incl. Ref. No. 1, 4-17, 40, 45, 48, 60, 61, 63-67, 70, 76, 79, 80, 84, 90, 92, 96)
98	N/A	1		Float Pin Furnish 951-10948, Carburetor Kit Major
98	N/A	1		Float Pin Furnish 951-10639, Carburetor Assembly
99	N/A	1		Needle Valve Spring Furnish 951-10948, Carburetor Kit Major
99	N/A	1		Needle Valve Spring Furnish 951-10639, Carburetor Assembly
100	N/A	1		Needle Valve Furnish 951-10948, Carburetor Kit Major
100	N/A	1		Needle Valve Furnish 951-10639, Carburetor Assembly
101	N/A	1		Bowl Gasket Furnish 951-10948, Carburetor Kit Major
101	N/A	1		Bowl Gasket Furnish 951-10639, Carburetor Assembly
102	N/A	1		Main Jet Furnish 951-10948, Carburetor Kit Major
102	N/A	1		Main Jet Furnish 951-10639, Carburetor Assembly
103	N/A	1		Fuel Drain Plug Gasket Furnish 951-10948, Carburetor Kit Major
103	N/A	1		Fuel Drain Plug Gasket Furnish 951-10639, Carburetor Assembly
104	N/A	1		Float Furnish 951-10948, Carburetor Kit Major
104	N/A	1		Float Furnish 951-10639, Carburetor Assembly
105	N/A	1		Main Nozzle Furnish 951-10948, Carburetor Kit Major
105	N/A	1		Main Nozzle Furnish 951-10639, Carburetor Assembly
106	N/A	1		Idle Speed Adjusting Screw Furnish 951-10948, Carburetor Kit Major

Ref #	Part Number	Qty	S/P/F	Description
106	N/A	1		Idle Speed Adjusting Screw Furnish 951-10639, Carburetor Assembly
107	N/A	1		O-Ring- Main Cup Bolt Furnish 951-10948, Carburetor Kit Major
107	N/A	1		O-Ring- Main Cup Bolt Furnish 951-10639, Carburetor Assembly
108	951-10912	1	/P	Valve Kit (Incl. Ref. No. 54-55)
108	951-10912	1	/P	Valve Kit Furnish 951-10949A, Cylinder Head Assembly
109	N/A	1		Throttle Shaft Dust Seal Furnish 951-10948, Carburetor Kit Major
109	N/A	1		Throttle Shaft Dust Seal Furnish 951-10639, Carburetor Assembly
110	710-04928	1		Bolt
120	N/A	1		Fuel Bowl Furnish 951-10639, Carburetor Assembly
121	N/A	1		Choke Shaft Furnish 951-10639, Carburetor Assembly
122	N/A	1		Choke Plate Furnish 951-10639, Carburetor Assembly
123	N/A	1		Throttle Shaft Furnish 951-10639, Carburetor Assembly
124	N/A	1		Throttle Plate Furnish 951-10639, Carburetor Assembly
125	N/A	1		Screw Furnish 951-10639, Carburetor Assembly
126	N/A	1		Idle Jet Assembly Furnish 951-10639, Carburetor Assembly
127	N/A	1		Lock Washer Furnish 951-10639, Carburetor Assembly
128	N/A	1		Drain Bolt Furnish 951-10639, Carburetor Assembly
129	N/A	1		Fuel Bowl Gasket Furnish 951-10639, Carburetor Assembly
	731-05632	1		Ignition Key Not Shown
	951-10948	1	/P	Carburetor Repair Kit - Major Not Shown (Incl. Ref. No. 98-107, 109)
	951-10951A	1	/P	Gasket Kit - Complete Not Shown (Incl. Ref. No. 2, 5, 9, 11, 17, 45, 70, 76, 79, 81, 84, 90)
	951-10952A	1	/P	Gasket Kit - External Not Shown (Incl. Ref. No. 2, 17, 70, 79, 81, 90)
	951-11063A	1	/P	Valve Cover Kit Not Shown (Incl. Ref. No. 69-70)

31A-2M1A897 (2010)
Engine Assembly 161-JWA

Page 11 of 15

Ref #	Part Number	Qty	S/P/F	Description
	951-11095	1	/P	Crankcase Cover Kit Not Shown (Incl. Ref. No. 4, 9, 96)
	951-11096	1	/P	Crankshaft Kit Not Shown (Incl. Ref. No. 6, 7, 14, 92)
	951-11097	1	/P	Crankcase Kit Not Shown (Incl. Ref. No. 14, 15, 84)
	753-06132	1	S	Push Rod-Rocker Arm Service Kit Not Shown includes Push Rods, Rocker Arms, Rocker Studs, Valve Adjusting Nuts, Locking Pivot Nuts, Valve Cover Gasket, Push Rod Guide
	952Z161-JWA	1	/P	Engine, Complete Not Shown

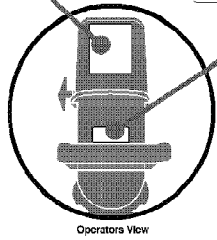
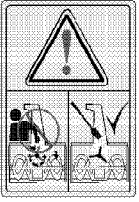


31A-2M1A897 (2010)
General Assembly 2M1

Page 13 of 15

Ref #	Part Number	Qty	S/P/F	Description
1	751-10487	1	/P	Cap-Fuel
2	951-10023	1	/P	Fuel Tank 2 Quart
3	790-00134-0637	1	/P	Gas Tank Support Bracket
4	747-04236	1		Gas Tank Wire Support
5	726-0205	1	/P	Hose Clamp
6	751-10349	1		Fuel Line
7	712-04064	1	/P	Hex L-Flanged Nut 1/4-20 Gr. F Ny
8	710-0751	1	/P	Hex Bolt 1/4-20 x .62 Gr. 5
9	710-0654A	1	/P	Hex Wash HD Tap Scr 3/8-16 x .88
10	790-00216-0637	1	/P	Engine Bracket
11	726-0233	1	/P	Push Nut
12	926-0154	1	/P	Push Mount Tie
13	956-0416B	1	/P	Pulley Half .625 ID x 2.25 OD
14	736-0242	1	/P	Flat Washer .340 ID x .872 OD x .060
15	710-0627	1	/P	Hex L-Bolt 5/16-24 x .75 Gr. 5
16	756-04232	1		Pulley 1/2 x 6,0" OD
17	954-0101A	1	/P	V-Belt 1/2 x 35.0" Lg.
18	684-04357-0637	1		Belt Cover
19	710-0653	1	/P	Hex Wash HD Tapp Scr 1/4-20 x .375
20	710-0896	1	/P	Hex B-Tap Scr 1/4-28 x .25" Lg
21	710-0599	1	/P	Hex Tap Scr. 1/4-14 x .5" Lg.
22	790-00249-0637	1	/P	Bearing Cup
23	741-04188A	1		Ball Bearing .625 x 37 x 12.63
24	712-04063	1	/P	Flange Locknut 5/16-18 Gr. F, Nylon
25	748-0234	1	/P	Shoulder Spacer .25 THK
26	790-00238A-0637	1	/P	Idler Bracket
27	684-04168	1		Idler Pulley Ass'y
28	750-04571	1		Shld. Spacer .260 x .785 x .538
29	710-0106	1	/P	Hex Screw 1/4-20 x 1.25 Gr. 5 Spe cial
30	726-0299	1	/P	Push Cap x 1/2" Rod
31	738-0924A	1	/P	Hex Shld.Scr.1/4-28 x .375
32	756-0625	1		Cable Guide Roller
33	984-04253-0637	1	/P	Auger Assembly
34	750-04757	1		Auger Spacer LH
35	750-04758	1		Auger Spacer RH
36	710-0642	1	/P	Thd Forming Scr. 1/4-20 x .75 Lg.
37	936-0329	1	/P	L-Wash 1/4 ID
38	936-0176	1	/P	Flat Washer .25 ID x .93 OD x .125
39	932-0357A	1	/P	Extension Spring .33 x 1.12
40	712-0896	1		Hex Ins Jam L-Nut 1/4-28
41	684-04227-0606	1		Auger Assembly Housing
42	710-0896	1	/P	Hex Wash. Hd. TT Scr. 1/4-14 x .625
43	735-04033	1		Rubber Paddle
44	735-04032	1		Rubber Spiral-Crescent
45	734-04070	1	/P	Wheel, 7.0 x 1.6 Diamond (White)
46	710-0409	1	/P	Hex Bolt 5/16-24 x 1.75
47	936-0119	1	/P	L-Wash 5/16 ID
48	750-04297B	1		Spacer .875 x .320 x 1.10

777S32824
Facing Front Of Unit



Operators View

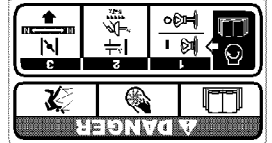
777I22358
Back Of Chute
Facing Operator



777X44645
Place On Side Of
The Shroud Close
To Fuel Cap



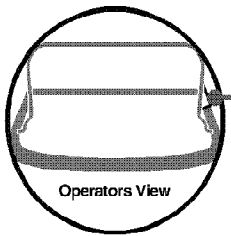
777S33152
Center On Back Of
Un textured Area Facing
Operator



777D14904



777I22139
On Handle
Facing Operator



Operators View



777S32775



31A-2M1A897 (2010)
Label Map 2M1

Page 15 of 15

Ref #	Part Number	Qty	S/P/F	Description
777S32824	777S32824	1		LABEL-SNOW CHUTE EXPORT
777I22358	777I22358	1		LABEL:SNOW CHUTE:
777X44645	777X44645	1		LBL:SNW:NO ETHANOL PICT
777I22139	777I22139	1		LBL:SNOW:HANDLE
777S32775	777S32775	1		LABEL-SNOW HOUSING MTD 4 CYL
777D14904	777D14904	1		LBL:SNOW:HSNG 40021MS
777S33152	777S33152	1		LABEL-SNOW TOP COVER