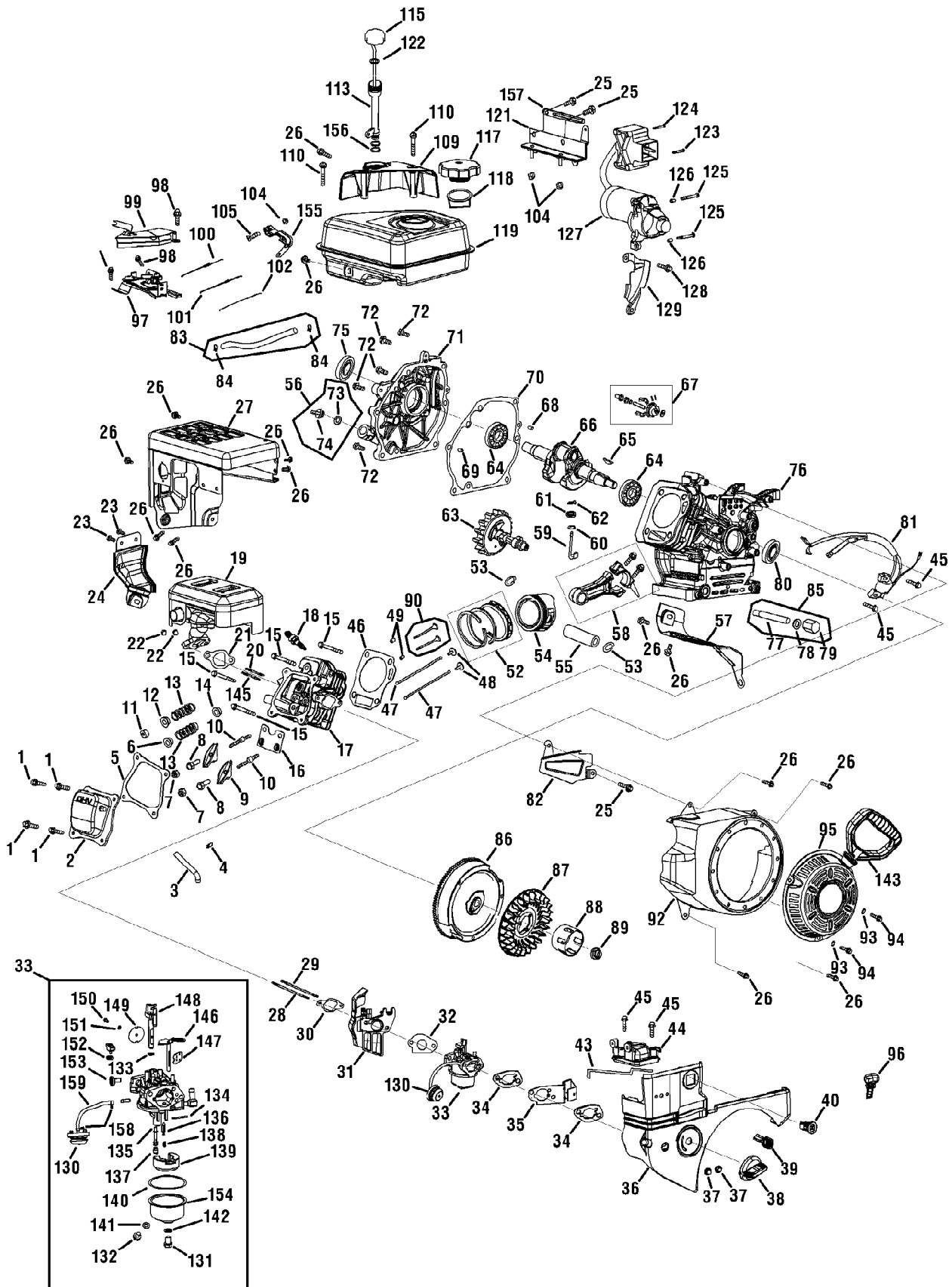


31AS2P5C897 (2010)
Chute,Handles & Shrouds

Page 2 of 16

Ref #	Part Number	Qty	S/P/F	Description
1	684-04236A	1		Shroud Ass'y (Model 2M1)
2	710-04669	1		Hex Wash B-Tapp Scr #10 x .62" Lg.
3	710-1205	1	/P	Eyebolt 1/4-20
4	720-0279	1	/P	Handle Knob Assembly
5	710-0895	1		Hex Tapp Scr 1/4 x .75" Lg.
6	712-04063	1	/P	Flange Locknut 5/16-18 Gr. F, Nylon
7	710-1090	1	/P	Hex Flg. Screw 5/16-18 x 1.25
8	931-04353	1	/P	Lower Chute Ring
9	932-04111	1	/P	Chute Adjustment Spring
10	931-04886	1	/P	Chute Adapter 5" Dia
11	931-04127	1	/P	Lower Chute 5" Dia
12	731-04354B	1	/P	Upper Chute
13	720-04072A	1	/P	Handle Knob Assembly
14	731-04388A	1		Chute Handle
15	710-0451	1	/P	Carriage Bolt 5/16-18 x .75
16	710-04071	1		Carriage Screw 5/16-18 x 1.0
17	725-0157	1	/P	Cable Tie
18	720-04072A	1	/P	Handle Knob Assembly
19	710-04532	1		Carriage Bolt 5/16-18 x 2.0 Gr. 5
20	749-04106A-0637	1		Gullwing Handle
21	747-04159A-0637	1	/P	Control Bail
22	731-1033	1	/P	Shave Plate
23	712-04064	1	/P	Hex L-Flanged Nut 1/4-20 Gr. F Nylon
24	710-0134	1	/P	Carriage Bolt 1/4-20 x .62
25	710-3008	1	/P	Hex Screw 5/16-18 x .75
26	936-0176	1	/P	Flat Washer .25 ID x .93 OD x .125
27	746-04237	1		Control Cable
28	749-04459-0637	1	/P	Upper Handle
29	747-04165-0637	1	/P	Control Bail
30	749-04114B-0637	1	/P	Lower Handle
31	731-06551	1		Shroud Ass'y (Mod els 2N1 & 2P5)



31AS2P5C897 (2010)
Engine Assembly 270-SU

Page 4 of 16

Ref #	Part Number	Qty	S/P/F	Description
1	710-04968	1	/P	Bolt
2	951-11054	1	/P	Valve Cover
2	951-11054	1	/P	Valve Cover Furnish 951-11063, Valve Cover Kit
3	731-07059	1		Breather Hose
4	726-04101	1		Hose Clamp
5	951-11565	1	/P	Head Cover Gasket Furnish 951-11060A, Short Block Assy
5	951-11565	1	/P	Head Cover Gasket Furnish 951-10661B, Gasket Kit External
5	951-11565	1	/P	Head Cover Gasket Furnish 951-10668A, Cylinder Head Assy
5	951-11565	1	/P	Head Cover Gasket Furnish 951-11059A, Gasket Kit Complete
5	951-11565	1	/P	Head Cover Gasket Furnish 951-11063, Valve Cover Kit
6	751-12000	1	S	Intake Valve Spring Seat Furnish 951-10668A, Cylinder Head Assy
7	751-11124	1		Pivot Locking Nut
7	751-11124	1		Pivot Locking Nut Furnish 951-10668A, Cylinder Head Assy
8	751-11123	1		Valve Adjusting Nut
8	751-11123	1		Valve Adjusting Nut Furnish 951-10668A, Cylinder Head Assy
9	751-11893	1	S	Rocker Arm Furnish 951-10668A, Cylinder Head Assy
10	710-04902	1		Pivot Bolt
10	710-04902	1		Pivot Bolt Furnish 951-10668A, Cylinder Head Assy
11	751-12002	1	S	Exhaust Valve Adjuster Furnish 951-10668A, Cylinder Head Assy
12	751-12003	1	S	Exhaust Valve Spring Seat Furnish 951-10668A, Cylinder Head Assy
13	751-12004	1	S	Valve Spring Furnish 951-10668A, Cylinder Head Assy
14	751-11894	1	S	Intake Valve Seal Furnish 951-10668A, Cylinder Head Assy
15	710-04933	1		Bolt
16	751-11895	1	S	Push Rod Guide Plate Furnish 951-10668A, Cylinder Head Assy
17	N/A	1		Cylinder Head - Complete Furnish 951-10668A, Cylinder Head Assy
18	951-10292	1	/P	Spark Plug
19	951-11282	1	/P	Muffler Assembly

31AS2P5C897 (2010)
Engine Assembly 270-SU

Page 5 of 16

Ref #	Part Number	Qty	S/P/F	Description
20	710-05001	1		Stud
20	710-05001	1		Stud Furnish 951-10657, Muffler Stud Assy
21	951-11289	1	/P	Muffler Gasket
21	951-11289	1	/P	Muffler Gasket Furnish 951-11060A, Short Block Assy
21	951-11289	1	/P	Muffler Gasket Furnish 951-10661B, Gasket Kit External
21	951-11289	1	/P	Muffler Gasket Furnish 951-10668A, Cylinder Head Assy
21	951-11289	1	/P	Muffler Gasket Furnish 951-11059A, Gasket Kit Complete
22	712-04214	1		Nut
23	710-04914	1		Bolt
24	951-11111	1	/P	Exhaust Pipe Shield
25	710-04940	1		Bolt
26	710-04915	1		Bolt
27	951-10642A	1	/P	Muffler Shroud
28	710-04939	1		Stud, M6 x117
29	710-04910	1		Stud, M6 x 105
30	951-11567	1	/P	Carburetor Insulator Gasket Furnish 951-11060A, Short Block Assy
30	951-11567	1	/P	Carburetor Insulator Gasket Furnish 951-10661B, Gasket Kit External
30	951-11567	1	/P	Carburetor Insulator Gasket Furnish 951-10668A, Cylinder Head Assy
30	951-11567	1	/P	Carburetor Insulator Gasket Furnish 951-11059A, Gasket Kit Complete
31	751-11896	1	S	Carburetor Insulator Plate Furnish 951-11060A, Short Block Assy
31	751-11896	1	S	Carburetor Insulator Plate Furnish 951-10661B, Gasket Kit External
31	751-11896	1	S	Carburetor Insulator Plate Furnish 951-10668A, Cylinder Head Assy
31	751-11896	1	S	Carburetor Insulator Plate Furnish 951-11059A, Gasket Kit Complete
32	751-11569A	1	S	Carburetor Gasket Furnish 951-10661B, Gasket Kit External
32	751-11569A	1	S	Carburetor Gasket Furnish 951-11059A, Gasket Kit Complete
33	951-10638A	1	/P	Carburetor Assembly
33	951-10638A	1	/P	Carburetor Assembly Incl. Ref No. 130-154,158
34	751-11897	1	S	Carburetor Gasket Plate Furnish 951-10661B, Gasket Kit External

31AS2P5C897 (2010)
Engine Assembly 270-SU

Page 6 of 16

Ref #	Part Number	Qty	S/P/F	Description
34	751-11897	1	S	Carburetor Gasket Plate Furnish 951-11059A, Gasket Kit Complete
35	951-11112	1	/P	Choke Control Bracket
36	951-10634	1	/P	Engine Shroud
37	712-04213	1	/P	Nut
38	951-11284	1	/P	Choke Knob
39	951-10757	1	/P	Throttle Control Knob
40	951-10637	1	/P	Ignition Switch
43	951-10640	1	/P	Choke Push Rod
44	951-10635	1	/P	Heater Box
45	710-04919	1	/P	Bolt
46	951-11572	1	/P	Cylinder Head Gasket Furnish 951-11060A, Short Block Assy
46	951-11572	1	/P	Cylinder Head Gasket Furnish 951-10668A, Cylinder Head Assy
46	951-11572	1	/P	Cylinder Head Gasket Furnish 951-11059A, Gasket Kit Complete
47	951-10648	1	/P	Push Rod Kit (incl. intake and exhaust rod)
48	751-11899	1	S	Tappet Furnish 951-11060A, Short Block Assy
49	715-04090	1		Dowel Pin
49	715-04090	1		Dowel Pin Furnish 951-11060A, Short Block Assy
52	951-11253	1	/P	Piston Ring Set Furnish 951-11060A, Short Block Assy
53	951-11632	1	/P	Piston Pin Snap Ring Furnish 951-11060A, Short Block Assy
54	751-12007	1	S	Piston Furnish 951-11060A, Short Block Assy
55	951-11633	1	/P	Piston Pin Furnish 951-11060A, Short Block Assy
56	951-11377	1	/P	Oil Fill Plug Assembly Incl. Ref No. 73,74
57	951-11113	1	/P	Air Shield
58	951-11573	1	/P	Connecting Rod Assembly Furnish 951-11060A, Short Block Assy
59	951-11356	1	/P	Governor Arm Shaft
59	951-11356	1	/P	Governor Arm Shaft Furnish 951-11060A, Short Block Assy
60	736-04461	1		Washer
60	736-04461	1		Washer Furnish 951-11060A, Short Block Assy
60	736-04461	1		Washer Furnish 951-11059A, Gasket Kit Complete
61	751-11902	1	S	Governor Seal Furnish 951-11060A, Short Block Assy

31AS2P5C897 (2010)
Engine Assembly 270-SU

Page 7 of 16

Ref #	Part Number	Qty	S/P/F	Description
61	751-11902	1	S	Governor Seal Furnish 951-11249, Crankcase Kit
61	751-11902	1	S	Governor Seal Furnish 951-11059A, Gasket Kit Complete
62	714-04074	1		Cotter Pin
62	714-04074	1		Cotter Pin Furnish 951-11060A, Short Block Assy
62	714-04074	1		Cotter Pin Furnish 951-11059A, Gasket Kit Complete
63	951-11575	1	/P	Camshaft Assembly Furnish 951-11060A, Short Block Assy
64	951-11369	1	/P	Radial Ball Bearing
64	951-11369	1	/P	Radial Ball Bearing Furnish 951-11060A, Short Block Assy
64	951-11369	1	/P	Radial Ball Bearing Furnish 951-11246, Crankcase Cover Kit
64	951-11369	1	/P	Radial Ball Bearing Furnish 951-11247, Crankshaft Kit
64	951-11369	1	/P	Radial Ball Bearing Furnish 951-11249, Crankcase Kit
65	951-10307	1	/P	Flywheel Key
65	951-10307	1	/P	Flywheel Key Furnish 951-11060A, Short Block Assy
65	951-10307	1	/P	Flywheel Key Furnish 951-11247, Crankshaft Kit
66	N/A	1		Crankshaft Assembly Furnish 951-11060A, Short Block Assy
66	N/A	1		Crankshaft Assembly Furnish 951-11247, Crankshaft Kit
67	951-11576	1	/P	Governor Gear/Shaft Assembly Furnish 951-11060A, Short Block Assy
68	715-04092	1		Dowel Pin, 7 x 14
68	715-04092	1		Dowel Pin, 7 x 14 Furnish 951-11060A, Short Block Assy
69	715-04096	1		Dowel Pin, 9 x 14
69	715-04096	1		Dowel Pin, 9 x 14 Furnish 951-11060A, Short Block Assy
70	951-11371	1	/P	Crankcase Cover Gasket
70	951-11371	1	/P	Crankcase Cover Gasket Furnish 951-11060A, Short Block Assy
70	951-11371	1	/P	Crankcase Cover Gasket Furnish 951-11246, Crankcase Cover Kit

Ref #	Part Number	Qty	S/P/F	Description
70	951-11371	1	/P	Crankcase Gasket Furnish 951-11249, Crankcase Kit
70	951-11371	1	/P	Crankcase Cover Gasket Furnish 951-11059A, Gasket Kit Complete
71	N/A	1		Case Cover Furnish 951-11060A, Short Block Assy
71	N/A	1		Case Cover Furnish 951-11246, Crankcase Cover Kit
72	710-04932	1		Bolt
72	710-04932	1		Bolt Furnish 951-11060A, Short Block Assy
72	710-04932	1		Cover Bolts Furnish 951-11246, Crankcase Cover Kit
73	951-11577	1	/P	O-Ring Furnish 951-11377, Oil Fill Plug Assy
73	951-11577	1	/P	O-Ring Furnish 951-11060A, Short Block Assy
73	951-11577	1	/P	O-Ring Furnish 951-11246, Crankcase Cover Kit
74	N/A	1		Oil Fill Plug Furnish 951-11377, Oil Fill Plug Assy
74	N/A	1		Oil Fill Plug Furnish 951-11060A, Short Block Assy
74	N/A	1		Oil Fill Plug Furnish 951-11246, Crankcase Cover Kit
75	951-11368	1	/P	Oil Seal
75	951-11368	1	/P	Oil Seal Furnish 951-11060A, Short Block Assy
75	951-11368	1	/P	Oil Seal Furnish 951-11246, Crankcase Cover Kit
75	951-11368	1	/P	Oil Seal Furnish 951-11247, Crankshaft Kit
75	951-11368	1	/P	Oil Seal Furnish 951-11059A, Gasket Kit Complete
76	N/A	1		Crankcase Furnish 951-11060A, Short Block Assy
76	N/A	1		Crankcase Furnish 951-11249, Crankcase Kit
77	951-11350	1	/P	Oil Drain Pipe Furnish 951-11060A, Short Block Assy
78	736-04440	1	/P	Washer
78	736-04440	1	/P	Washer Furnish 951-11060A, Short Block Assy
78	736-04440	1	/P	Washer Furnish 951-10661B, Gasket Kit External
78	736-04440	1	/P	Washer Furnish 951-11059A, Gasket Kit Complete

31AS2P5C897 (2010)
Engine Assembly 270-SU

Page 9 of 16

Ref #	Part Number	Qty	S/P/F	Description
79	710-04906	1		Oil Drain Plug Furnish 951-11060A, Short Block Assy
80	951-11370	1	/P	Oil Seal
80	951-11370	1	/P	Oil Seal Furnish 951-11060A, Short Block Assy
80	951-11370	1	/P	Oil Seal Furnish 951-11247, Crankshaft Kit
80	951-11370	1	/P	Oil Seal Furnish 951-11249, Crankcase Kit
80	951-11370	1	/P	Oil Seal Furnish 951-11059A, Gasket Kit Complete
81	951-10646	1	/P	Ignition Coil
82	951-11110	1	/P	Air Flow Shield
83	951-10650	1	/P	Fuel Line Kit (incl. clamps and fuel line)
84	951-11731	1	/P	Hose Clamp
85	951-10641	1	/P	Oil Drain Assembly, includes 77, 78, 79
86	951-10805	1	/P	Flywheel
87	951-10909	1	/P	Cooling Fan
88	951-10911	1	/P	Starter Cup
89	712-04209	1	/P	Nut
90	951-10647	1	/P	Valve Kit (incl. intake and exhaust valve)
90	951-10647	1	/P	Valve Kit Furnish 951-10668A, Cylinder Head Assy
92	951-10663A	1	/P	Blower Housing
93	736-04455	1		Washer
94	710-04974	1		Bolt
95	951-10658	1	/P	Recoil Starter Assembly
96	731-05632	1		Key
97	951-10758	1	/P	Throttle Control Assembly
98	710-05103	1		Bolt
99	951-11108	1	/P	Governor Shield
100	751-11935	1	S	Governor Spring
101	951-10664	1	/P	Throttle Return Spring
102	951-10665	1	/P	Governor Rod
104	712-04212	1	/P	Nut
105	710-04908	1		Bolt
109	951-10662	1	/P	Engine/Dipstick Cover
110	710-04905	1		Bolt
113	751-11913	1	S	Dipstick Tube
115	751-11912	1	S	Dipstick
117	951-10649	1	/P	Fuel Cap Assembly
118	951-11933	1	/P	Fuel Level Indicator
119	951-10653B	1	/P	Fuel Tank
121	951-11114	1	/P	Switch Housing Mounting Bracket
122	751-11934	1	S	O-Ring
123	710-04965	1		Bolt, M4 x 55
124	710-04935	1		Bolt, M4 x 60
125	710-05182	1		Bolt
126	715-04088	1		Dowel Pin
127	951-10645A	1	/P	Electric Starter
128	710-04979	1		Bolt
129	951-11109	1	/P	Blower Housing Shield
130	951-10639A	1	/P	Blower Housing Shield

31AS2P5C897 (2010)
Engine Assembly 270-SU

Page 10 of 16

Ref #	Part Number	Qty	S/P/F	Description
130	951-10639A	1	/P	Primer Furnish 951-10638A, Carburetor Assembly
131	710-04945	1		Bolt
131	710-04945	1		Bolt Furnish 951-10638A, Carburetor Assembly
132	710-04938	1	/P	Drain Bolt
132	710-04938	1	/P	Drain Bolt Furnish 951-10638A, Carburetor Assembly
133	N/A	1		Gasket, Throttle Plate Furnish 951-10638A, Carburetor Assembly
133	N/A	1		Gasket, Throttle Plate Furnish 951-11021, Carburetor Kit, Major
134	N/A	1		Float Pin Furnish 951-10638A, Carburetor Assembly
134	N/A	1		Float Pin Furnish 951-11021, Carburetor Kit, Major
135	N/A	1		Emulsion Tube Furnish 951-10638A, Carburetor Assembly
135	N/A	1		Emulsion Tube Furnish 951-11021, Carburetor Kit, Major
136	N/A	1		Needle Valve Furnish 951-10638A, Carburetor Assembly
136	N/A	1		Needle Valve Furnish 951-11021, Carburetor Kit, Major
137	N/A	1		Main Jet Furnish 951-10638A, Carburetor Assembly
137	N/A	1		Main Jet Furnish 951-11021, Carburetor Kit, Major
138	N/A	1		Needle Valve Spring Furnish 951-10638A, Carburetor Assembly
138	N/A	1		Needle Valve Spring Furnish 951-11021, Carburetor Kit, Major
139	N/A	1		Float Furnish 951-10638A, Carburetor Assembly
139	N/A	1		Float Furnish 951-11021, Carburetor Kit, Major
140	951-11589	1	/P	Fuel Bowl Gasket Furnish 951-10638A, Carburetor Assembly
140	951-11589	1	/P	Fuel Bowl Gasket Furnish 951-11021, Carburetor Kit, Major
141	951-11349	1	/P	Fuel Drain Plug Gasket Furnish 951-10638A, Carburetor Assembly

31AS2P5C897 (2010)
Engine Assembly 270-SU

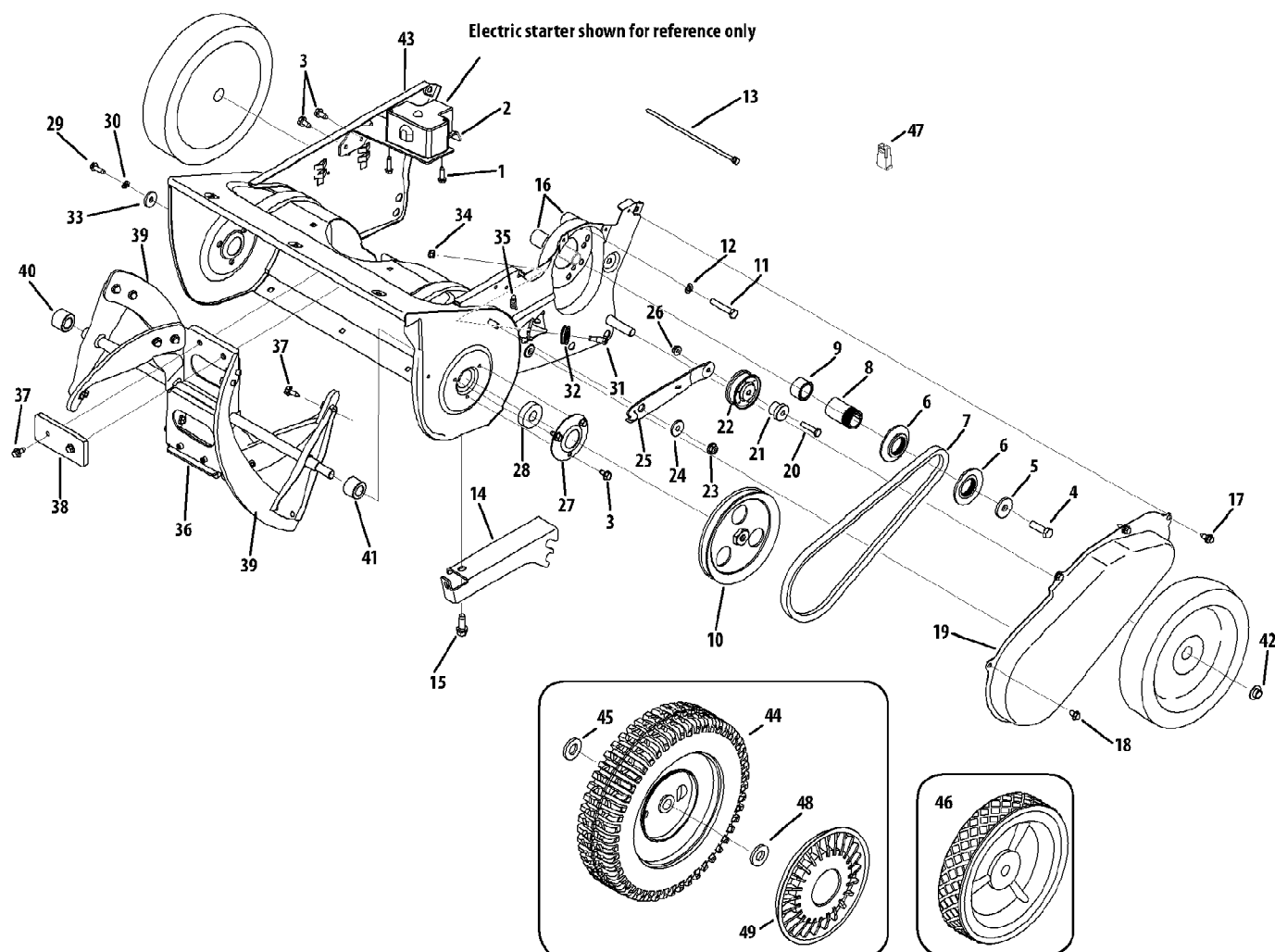
Page 11 of 16

Ref #	Part Number	Qty	S/P/F	Description
141	951-11349	1	/P	Fuel Drain Plug Gasket Furnish 951-11021, Carburetor Kit, Major
142	951-11348	1	/P	Fuel Bowl Gasket Furnish 951-10638A, Carburetor Assembly
142	951-11348	1	/P	Fuel Bowl Gasket Furnish 951-11021, Carburetor Kit, Major
143	731-05696	1		Starter Handle
145	951-10657	1	/P	Muffler Stud Assembly Incl. Ref No.
146	N/A	1		Choke Shaft Furnish 951-10638A, Carburetor Assembly
147	N/A	1		Choke Plate Furnish 951-10638A, Carburetor Assembly
148	N/A	1		Throttle Shaft Furnish 951-10638A, Carburetor Assembly
149	N/A	1		Throttle Plate Furnish 951-10638A, Carburetor Assembly
150	N/A	1		Screw, M3x5 Furnish 951-10638A, Carburetor Assembly
151	N/A	1		Lock Washer Furnish 951-10638A, Carburetor Assembly
152	N/A	1		Idle Jet Assembly Furnish 951-10638A, Carburetor Assembly
153	N/A	1		Idle Speed Adjusting Screw Furnish 951-10638A, Carburetor Assembly
154	N/A	1		Fuel Bowl Furnish 951-10638A, Carburetor Assembly
155	951-11106	1	/P	Governor Arm Bracket
156	951-11903	1	/P	O-Ring
157	951-11680	1	/P	Wire Clip
158	751-11906	1	S	Hose Clamp Furnish 951-10638A, Carburetor Assembly
159	951-12006	1	/P	Primer Hose
	951-10651	1	/P	Fuel Tank Nipple (Not Shown)
	951-10661B	1	/P	Gasket Kit, External Incl. Ref No. 5,21,30-32,34,78 (Not Shown)
	951-10668A	1	/P	Cylinder Head Assembly Incl. Ref No. 5-14,16,17,21,30,31,46,90 (Not Shown)
	951-11021	1	/P	Carburetor Repair Kit, Major Incl. Ref No. 133-142 (Not Shown)
	951-11059A	1	/P	Gasket Kit, Complete Incl. Ref No. 5,21,30-32,34,46,60-62,70,75,78,80 (Not Shown)
	951-11060A	1	/P	Short Block Assembly Incl. Ref No. 5,21,30,31,46,48,49,52-55,58-80 (Not Shown)

31AS2P5C897 (2010)
Engine Assembly 270-SU

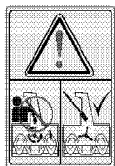
Page 12 of 16

Ref #	Part Number	Qty	S/P/F	Description
	951-11063	1	/P	Valve Cover Kit Incl. Ref No. 2,5 (Not Shown)
	951-11246	1	/P	Crankcase Cover Kit Incl. Ref No. 64,70-75 (Not Shown)
	951-11247	1	/P	Crankshaft Kit Incl. Ref No. 64-66,75,80 (Not Shown)
	951-11249	1	/P	Crankcase Kit Incl. Ref No. 61,64,70,76,80 (Not Shown)
	952Z270-SU	1	/P	Engine, Complete (Not Shown)



Ref #	Part Number	Qty	S/P/F	Description
1	710-04373A	1		Hi-Lo Screw #12-16 x .75
2	790-00335-0637	1	/P	Electric Start Support Bracket
3	710-0599	1	/P	Hex Tap Scr. 1/4-14 x .5" Lg.
4	710-1044	1	/P	Hex Hd. Cap Screw 3/8-24 x 1.5
5	736-0247	1	/P	Flat Washer .406 x 1.25 x .157
6	756-04353A	1		Pulley Half 4L-V x 2.30 OD
7	954-04204	1	/P	V-Belt
8	750-04303	1		Spacer .875 ID x 1.185 OD
9	750-05084	1		Spacer .88 ID x 1.18 OD x .74" Lg.
10	756-04232	1		V-Pulley 1/2 x 6,0" OD
11	710-0409	1	/P	Hex Bolt 5/16-24 x 1.75
12	936-0119	1	/P	Lockwasher 5/16
13	926-0154	1	/P	Push Mount Tie
14	790-00334-0637	1	/P	Engine Support Bracket
15	710-0623	1	/P	Hex Wash HD Tap Scr 3/8-16 x .75
16	750-04297B	1		Spacer .875 x .320 x 1.10
17	710-0896	1	/P	Hex B-Tap Scr 1/4-28 x .25" Lg
18	710-0653	1	/P	Hex Wash HD Tapp Scr 1/4-20 x .375
19	790-00045C	1		Belt Cover
20	710-0106	1	/P	Hex Screw 1/4-20 x 1.25 Gr. 5
21	750-04571	1		Shoulder Spacer
22	684-04168	1		Idler Pulley (1/4" hole)
23	712-04063	1	/P	Flange Locknut 5/16-18 Gr. F, Nylon
24	748-0234	1	/P	Shoulder Spacer .25 Thk.
25	790-00238A-0637	1	/P	Idler Bracket
26	712-04064	1	/P	Flange Locknut 1/4-20 Gr. F, Nylon
27	790-00249-0637	1	/P	Bearing Cup
28	741-04188A	1		Ball Bearing .625 x 37 x 12.63
29	710-0642	1	/P	Thd Forming Scr. 1/4-20 x .75 Lg.
30	936-0329	1	/P	L-Wash 1/4 ID
31	738-0924A	1	/P	Hex Shld.Scr.1/4-28 x .375
32	756-0625	1		Cable Guide Roller
33	936-0176	1	/P	Flat Washer .25 ID x .93 OD x .125
34	712-0896	1		Hex Ins Jam L-Nut 1/4-28
35	932-0357A	1	/P	Extension Spring .33 OD x 1.12 Lg.
36	984-04253-0637	1	/P	Auger Assembly
37	710-0896	1	/P	Hex B-Tap Scr 1/4-28 x .25" Lg
38	735-04033	1		Rubber Paddle
39	735-04032	1		Rubber Spiral-Crescent
40	750-04758	1		Auger Spacer RH
41	750-04757	1		Auger Spacer LH
42	726-0299	1	/P	Push Cap x 1/2" Rod
43	684-04314-0606	1		Auger Housing
44	734-2010A	1	/P	Wheel, 9 x 2.125 dia. Lug
45	936-0326	1	/P	Flat Washer .510 ID x 1.0 OD x .125
46	N/A	1		Wheel, 7.0 x 1.6 Diamond (White) Not used in this application
47	729-04035	1		Alternator Cap (op tional)
48	936-0160	1	/P	Flat Washer .53 ID x .93 OD x .050
49	731-07001	1		Hub Cap Grey

REF. 777S32823
Mold-in Graphic

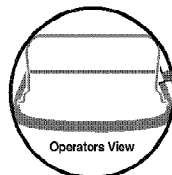


Operators View

777I22358
Back Of Chute
Facing Operator



777I22139
On Handle
Facing Operator



Operators View



777S33658
Place On Shroud
Facing Operator



777I23416
Fit Label Around Electric
Starter Button



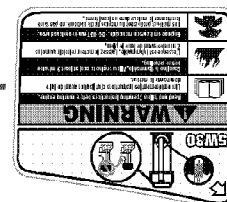
777X43293
Place Label Over Electric Start Label
Applied by Zongshen Button



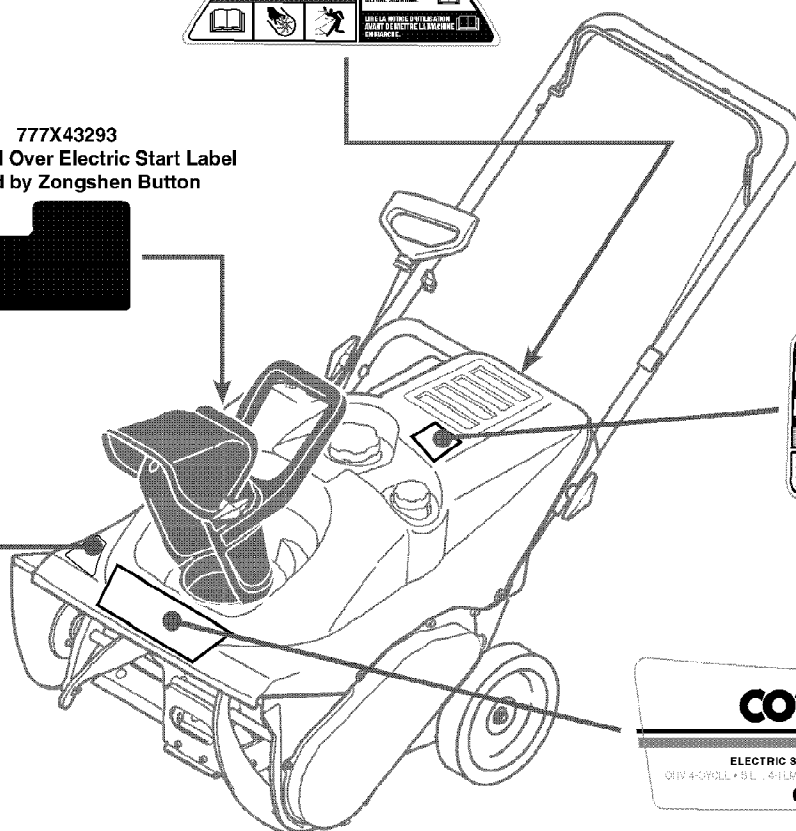
777S33708



777S33709
Facing Operator



777D14905



31AS2P5C897 (2010)
Label Map 2P5

Page 16 of 16

Ref #	Part Number	Qty	S/P/F	Description
777S32823	777S32823	1		LBL:SNW:CHUTE:EXP Mold In Graphic
777I22358	777I22358	1		LABEL:SNOW CHUTE:
777I22139	777I22139	1		LBL:SNOW:HANDLE
777S33658	777S33658	1		LBL:SNW:SS C SHRD:DGR:FR/ENG
777X43293	777X43293	1		LABEL-SNOW ELECTRIC START
777I23416	777I23416	1		LBL:SNW:SS 2C:ELSTRT:FR/ENG
777S33708	777S33708	1		LBL:SS SNW:C HSG:FR/ENG
777D14905	777D14905	1		LBL:SNOW:HSNG 65021MSE
777S33709	777S33709	1		LBL:SS SNW:C HSG:TOP:OIL:CAN