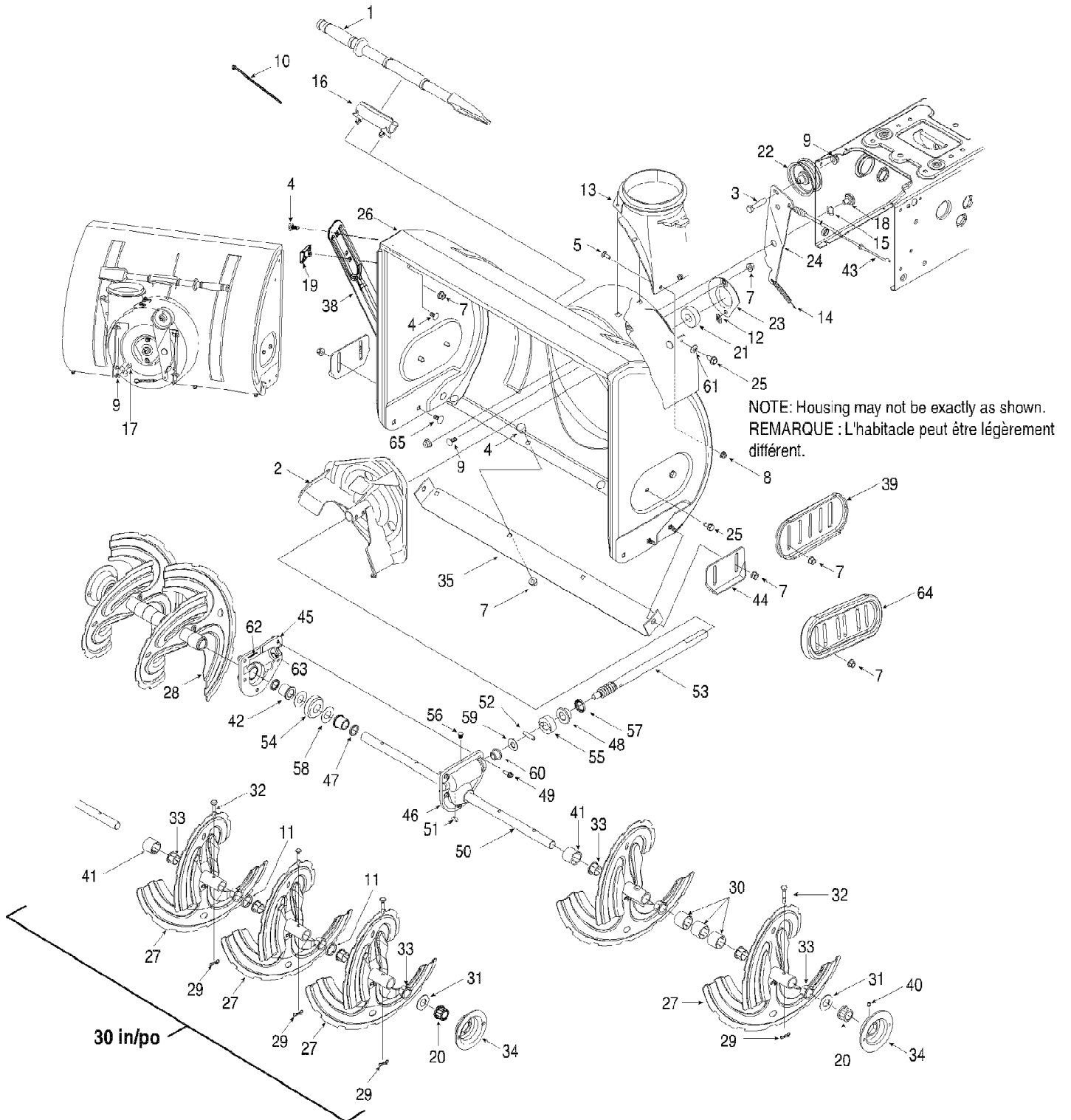


31AM63K2597 (2008)  
Auger & Auger Housing



31AM63K2597 (2008)  
Auger & Auger Housing

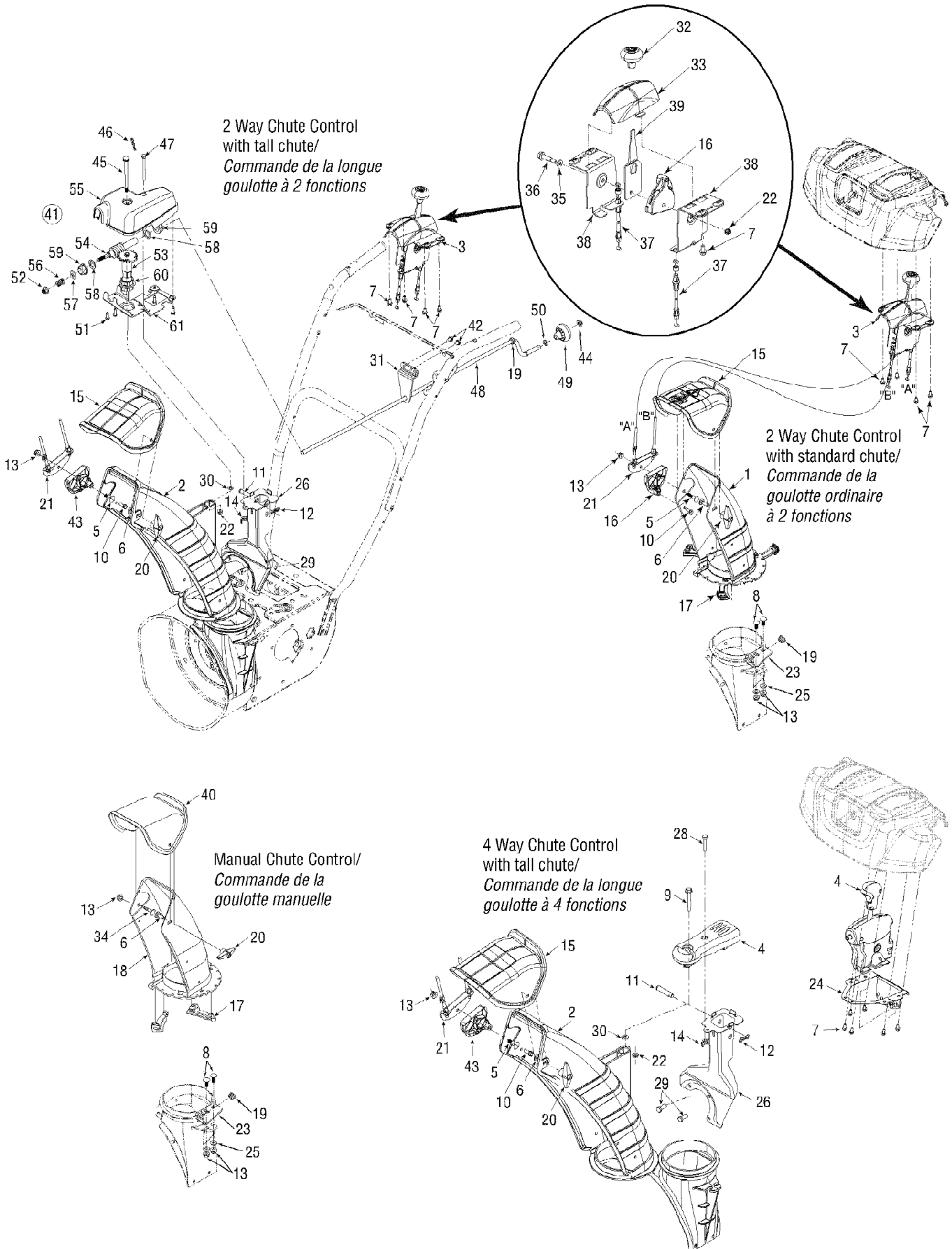
Page 2 of 23

| Ref # | Part Number | Qty | S/P/F | Description                             |
|-------|-------------|-----|-------|---|
| 1     | 731-2643    | 1   | S     | Clean-Out Tool                          |
| 2     | 684-04057A  | 1   | S     | Impeller Ass'y 12 po                    |
| 3     | 710-0347    | 1   | /P    | Hex Screw 3/8-16 x 1.75                 |
| 4     | 710-0451    | 1   | /P    | Carriage Bolt 5/16-18 x .75             |
| 5     | 710-0703    | 1   | /P    | Carriage Screw 1/4-20 x .75 Gr. 5       |
| 7     | 712-04063   | 1   | /P    | Flange Locknut 5/16-18 Gr. F Nylon      |
| 8     | 712-04064   | 1   | /P    | Hex L-Flanged Nut 1/4-20 Gr. F Nylon    |
| 9     | 712-04065   | 1   | /P    | Hex L-Flanged Nut 3/8-16 Gr. F Nylon    |
| 10    | 725-0157    | 1   | /P    | Ca ble Tie                              |
| 11    | 731-04871   | 1   |       | Spacer 1.25 x .75 x 3/16" Lg.           |
| 12    | 726-04012   | 1   | S     | Push-on Nut .25 dia.                    |
| 13    | 731-04705   | 1   | S     | Chute Adapter                           |
| 14    | 732-04460   | 1   |       | Extension Spring .38 OD x 4.59" Lg.     |
| 15    | 736-0174    | 1   | /P    | Wave Washer .660 ID x .88 OD x .010     |
| 16    | 731-2635    | 1   |       | Cleanout Tool Mount                     |
| 17    | 738-0143    | 1   | /P    | Shld. Scr. .500 Dia. x .335" Lg.        |
| 18    | 738-0281    | 1   | S     | Shoulder Scr .625 Dia x .170            |
| 19    | 720-0284    | 1   | S     | Hand Knob                               |
| 20    | 741-0245    | 1   | S     | Hex. Flange Brg. .751" I.D.             |
| 21    | 741-0309    | 1   | S     | Self-aligning bearing                   |
| 22    | 756-0981B   | 1   | S     | Flat Idler Pulley 2.75" OD              |
| 23    | 790-00075   | 1   |       | Bearing Housing 1.85 ID                 |
| 24    | 790-00080A  | 1   | S     | Auger Idler Brake Bracket               |
| 25    | 710-04484   | 1   |       | Hex TT Screw 3/8-16 x .75               |
| 26    | 711-04270   | 1   | S     | Auger Axle Assembly, Auger, 24"         |
| 26    | 711-04071   | 1   |       | Auger Axle Assembly, Auger, 26"         |
| 26    | 711-04272   | 1   |       | Auger Axle Assembly, Auger, 28"         |
| 26    | 711-04273   | 1   |       | Auger Axle Assembly, Auger, 30"         |
| 27    | 684-04107   | 1   |       | Spiral Ass'y LH                         |
| 28    | 684-04108   | 1   |       | Spiral Ass'y RH                         |
| 29    | 714-04040   | 1   |       | Bow Tie Cotter Pin                      |
| 30    | 731-04870   | 1   | F     | Spacers see footnote                    |
| 30    | 731-04871   | 1   | F     | Spacers see footnote                    |
| 31    | 736-0188    | 1   | /P    | Flat Washer .760 ID x 1.49 OD           |
| 32    | 738-04124A  | 1   | /P    | Shear Pin .25 x 1.5 Gr. 2               |
| 33    | 741-0493A   | 1   | /P    | Flange Bushing                          |
| 34    | 790-00087A  | 1   |       | Bushing Housing                         |
| 34    | 790-00138A  | 1   | S     | Bushing Housing (w/grease fitting hole) |
| 35    | 790-00120   | 1   |       | Shave Plate, 24"                        |
| 35    | 790-00121   | 1   |       | Shave Plate, 26"                        |
| 35    | 790-00118   | 1   |       | Shave Plate, 28"                        |
| 35    | 790-00119   | 1   |       | Shave Plate, 30"                        |
| 38    | 790-00181   | 1   |       | Drift Cutter - Optional                 |
| 39    | 790-00091   | 1   |       | Reversible Slide Shoe (steel)           |
| 40    | 737-3000    | 1   | S     | Grease Fitting (optional)               |
| 41    | 731-04870   | 1   |       | Spacer 1.25 x .75 x 1.00                |
| 42    | 741-0661A   | 1   | /P    | Flange Bearing.75 ID x 1.0 OD x .975    |
| 43    | 746-04230   | 1   |       | Auger Clutch Cable                      |
| 44    | 784-5580    | 1   |       | Slide Shoe                              |
| 45    | 719-04291   | 1   | S     | RH Reduced Auger Housing                |
| 46    | 719-04292   | 1   | S     | LH Reduced Auger Housing                |
| 47    | 721-0338    | 1   | S     | Oil Seal .75 x 1.0 x .125               |
| 48    | 741-0662    | 1   |       | Flange Bearing .75 ID x 1.00 OD x .50   |

31AM63K2597 (2008)  
Auger & Auger Housing

Page 3 of 23

| Ref # | Part Number | Qty | S/P/F | Description                                       |
|-------|-------------|-----|-------|---|
| 49    | 710-0642    | 1   | /P    | Thd Forming Scr. 1/4-20 x .75                     |
| 50    | 618-04172A  | 1   | S     | Auger Gearbox Assembly, 24"                       |
| 50    | 618-04172A  | 1   | S     | Auger Gearbox Assembly, 26"                       |
| 50    | 618-04173A  | 1   | S     | Auger Gearbox Assembly, 28"                       |
| 50    | 618-04165A  | 1   | S     | Auger Gearbox Assembly, 30"                       |
| 51    | 714-0161    | 1   | S     | Hi Pro Key 3/16 x 5/8                             |
| 52    | 715-04021   | 1   |       | Dowel Pin .25 OD x 1.2                            |
| 53    | 717-04126   | 1   | S     | Worm Shaft .75 OD                                 |
| 54    | 731-04449   | 1   |       | Worm gear , 24" & 26"                             |
| 54    | 731-0528A   | 1   | S     | Worm gear , 28" & 30"                             |
| 55    | 718-04071   | 1   |       | Thrust Collar                                     |
| 56    | 721-0325    | 1   |       | Plug, 1/4 x .437                                  |
| 57    | 721-0327    | 1   |       | Oil Seal .75 x 1 x .131                           |
| 58    | 736-0351    | 1   | S     | Flat Washer .76 ID x 1.5 OD x .03                 |
| 59    | 736-3084    | 1   | /P    | Fl. Washer .510 x 1.120 x .060                    |
| 60    | 741-0663    | 1   |       | Flange Bearing .75 ID x 1.0 OD x .925             |
| 61    | 736-0242    | 1   | /P    | Cupped Washer .345 ID x .88 OD x .060             |
| 62    | 721-0328    | 1   |       | Loctite Sealant 5699                              |
| 63    | 737-0168    | 1   | S     | Grease - Alvania EP Lead Free                     |
| 64    | 731-05984   | 1   | S     | Reversible Slide Shoe (plastic)                   |
| 65    | 710-0451    | 1   | /P    | Carriage Bolt 5/16-18 x .75 w/steel slide shoes   |
| 65    | 710-0276    | 1   | /P    | Carriage Bolt 5/16-18 x 1.0 w/plastic slide shoes |



31AM63K2597 (2008)  
Chute Controls Assembly

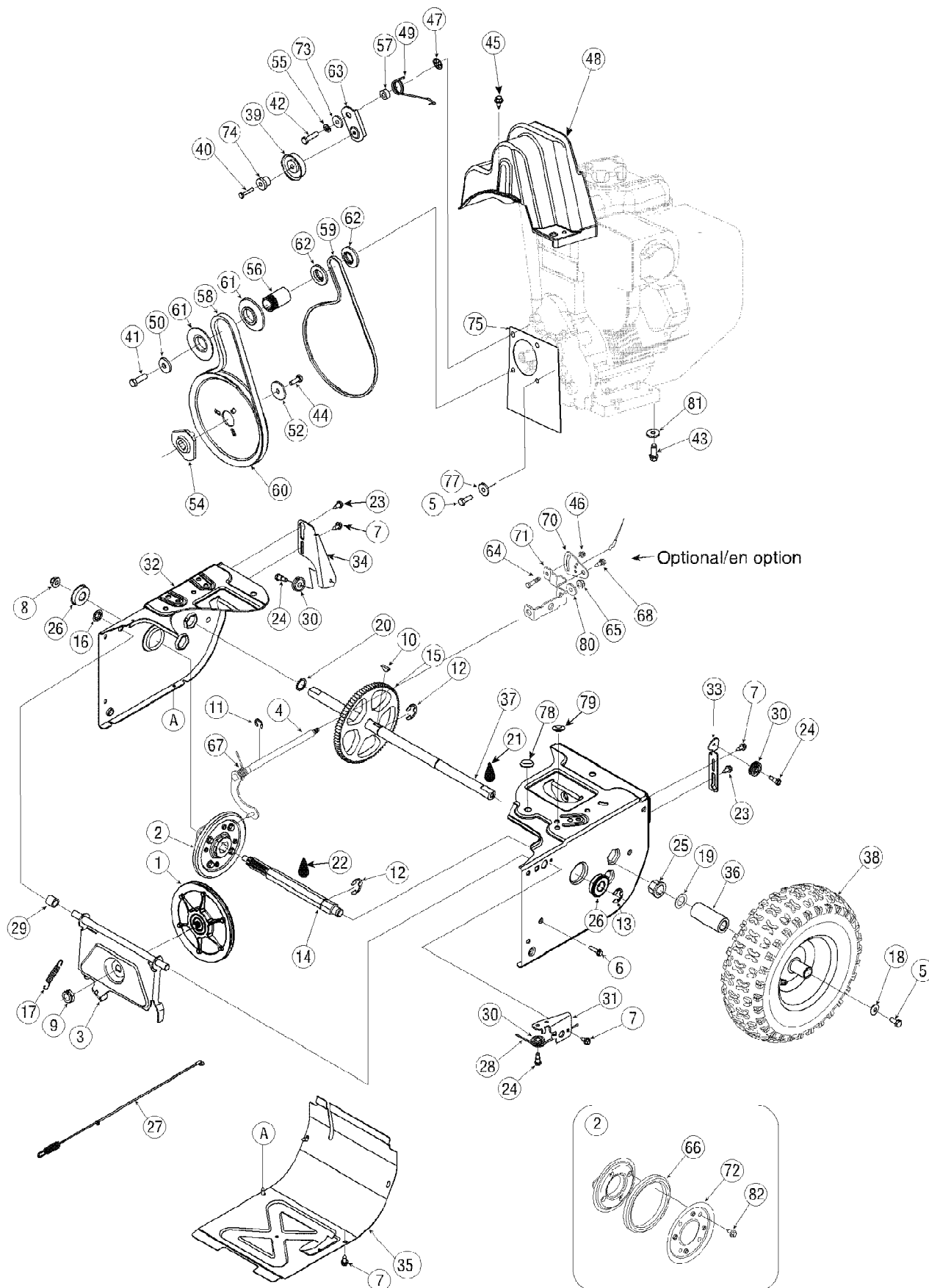
Page 5 of 23

| Ref # | Part Number | Qty | S/P/F | Description                            |
|-------|-------------|-----|-------|--|
| 1     | 631-04131B  | 1   | /P    | Lower Chute (2 Way)                    |
| 2     | 731-06440   | 1   | S     | Tall Lower Chute                       |
| 3     | 684-04325   | 1   | S     | 2 Way Chute Control Assembly           |
| 4     | 684-04331   | 1   | S     | 4 Way Chute Control Assembly           |
| 5     | 710-0262    | 1   | /P    | Carriage Bolt 5/16-18 x 1.50 Gr. 2     |
| 6     | 710-04071   | 1   |       | Carriage Screw 5/16-18 x 1.0           |
| 7     | 710-04187   | 1   | /P    | Hi-Lo Screw 1/4-15 x .5                |
| 8     | 710-0276    | 1   | /P    | Carriage Bolt 5/16-18 x 1.00" Lg       |
| 9     | 738-04194   | 1   |       | Shoulder Screw .312 x 1.7:1/4-20       |
| 10    | 710-0895    | 1   |       | Hex Tapp Scr 1/4 x .75" Lg.            |
| 11    | 711-04469A  | 1   |       | Clevis Pin 3/8 x 1.87                  |
| 12    | 714-04040   | 1   |       | Bow Tie Cotter Pin                     |
| 13    | 712-04063   | 1   | /P    | Flange Locknut 5/16-18 Gr. F Nylon     |
| 14    | 712-3087    | 1   | /P    | Wing Nut 1/4-20                        |
| 15    | 731-04425B  | 1   |       | Upper Chute w/Export Label, Remote     |
| 16    | 731-1313C   | 1   | /P    | Cable Guide                            |
| 17    | 731-04869   | 1   | S     | Chute Flange Keeper                    |
| 18    | 731-04912B  | 1   | /P    | Lower Chute                            |
| 19    | 741-0475    | 1   | S     | Plastic Bushing .380 ID                |
| 20    | 720-0284    | 1   | S     | Handle Knob Assembly                   |
| 21    | 784-5594    | 1   |       | Cable Bracket Chute Tilt               |
| 22    | 712-04064   | 1   | /P    | Hex L-Flanged Nut 1/4-20 Gr. F Nylon   |
| 23    | 784-5647    | 1   | S     | Chute Crank Brkt.                      |
| 24    | 790-00131   | 1   | S     | Bracket: Chute Control                 |
| 25    | 736-0159    | 1   | S     | Flat Washer .349 ID x .879 OD x .063   |
| 26    | 684-04311   | 1   |       | Support Bracket                        |
| 27    | 710-04187   | 1   | /P    | Hi-Lo Screw 1/4-15 x .50               |
| 28    | 710-0606    | 1   | /P    | Hex Hd. Cap Screw 1/4-20 x 1.5 Gr. 5   |
| 29    | 710-0627    | 1   | /P    | Hex Hd. Cap Screw 5/16-24 x .75        |
| 30    | 736-0463    | 1   | S     | Flat Washer .25 ID x .63 OD x .0515    |
| 31    | 790-00341   | 1   |       | Support Rod Bracket                    |
| 32    | 720-04039   | 1   |       | Knob                                   |
| 33    | 731-05307   | 1   |       | Control Cover - 2 Way                  |
| 34    | 710-0451    | 1   | /P    | Carriage Bolt 5/16-18 x .75            |
| 35    | 736-0413    | 1   | /P    | Spring Washer .390 x .625 x .012       |
| 36    | 738-04185   | 1   |       | Flg Shlder Screw .310 x .995: 1/4-20   |
| 37    | 746-04238   | 1   | S     | Cable - w/standard chute               |
| 37    | 746-04527   | 1   | S     | Cable - w/tall chute                   |
| 38    | 790-00200   | 1   |       | Mounting Bracket - 2 Way               |
| 39    | 790-00210A  | 1   |       | Lever - 2 Way                          |
| 40    | 731-04354B  | 1   | /P    | Upper Chute                            |
| 41    | 618-04748   | 1   | S     | Gearbox Assembly                       |
| 42    | 710-1652    | 1   | /P    | Hex Wash Hd TT Scr. 1/4-20 x .625      |
| 43    | 731-06451   | 1   |       | Cable Guide                            |
| 44    | 726-0100    | 1   | S     | Push Nut 3/8" Rod                      |
| 45    | 738-04367   | 1   |       | Flg. Shoulder Screw .312 x 3.5: 1/4-20 |
| 46    | 714-0101    | 1   | S     | Internal Cotter Pin                    |
| 47    | 710-04370   | 1   |       | Hex. Hd. Cap Scr. 1/4-20 x 3.0 Gr. 5   |
| 48    | 747-05006   | 1   | S     | Chute Crank .375 Dia. x 30.5" Lg.      |
| 49    | 720-04102   | 1   |       | Knob                                   |
| 50    | 736-0140    | 1   | S     | Flat Washer .385 x .62 x .063          |
| 51    | 710-04373A  | 1   |       | Hi-Lo Screw #12-16 x .75               |
| 52    | 712-04065   | 1   |       | Flange Locknut 3/8-16 Gr. F Nylon      |

31AM63K2597 (2008)  
Chute Controls Assembly

Page 6 of 23

| Ref # | Part Number | Qty | S/P/F | Description                        |
|-------|-------------|-----|-------|------------------------------------|
| 53    | 684-04336   | 1   | S     | Gear 23 teeth helical w/hub        |
| 54    | 717-04636   | 1   | S     | Worm Shaft                         |
| 55    | 731-06618   | 1   |       | Cover                              |
| 56    | 732-0193    | 1   | /P    | Compression Spring .39 x .60 x .88 |
| 57    | 736-0267    | 1   | S     | Flat Washer .385 x .87 x .06       |
| 58    | 736-0290    | 1   | /P    | Flat Washer .625 x 1.0 x .067      |
| 59    | 741-0225    | 1   | S     | Hex Flg. Bearing                   |
| 60    | 741-04354   | 1   |       | Hex Bearing                        |
| 61    | 790-00342   | 1   | S     | Chute Gear Rotation Bracket        |



31AM63K2597 (2008)  
Drive Assembly

Page 8 of 23

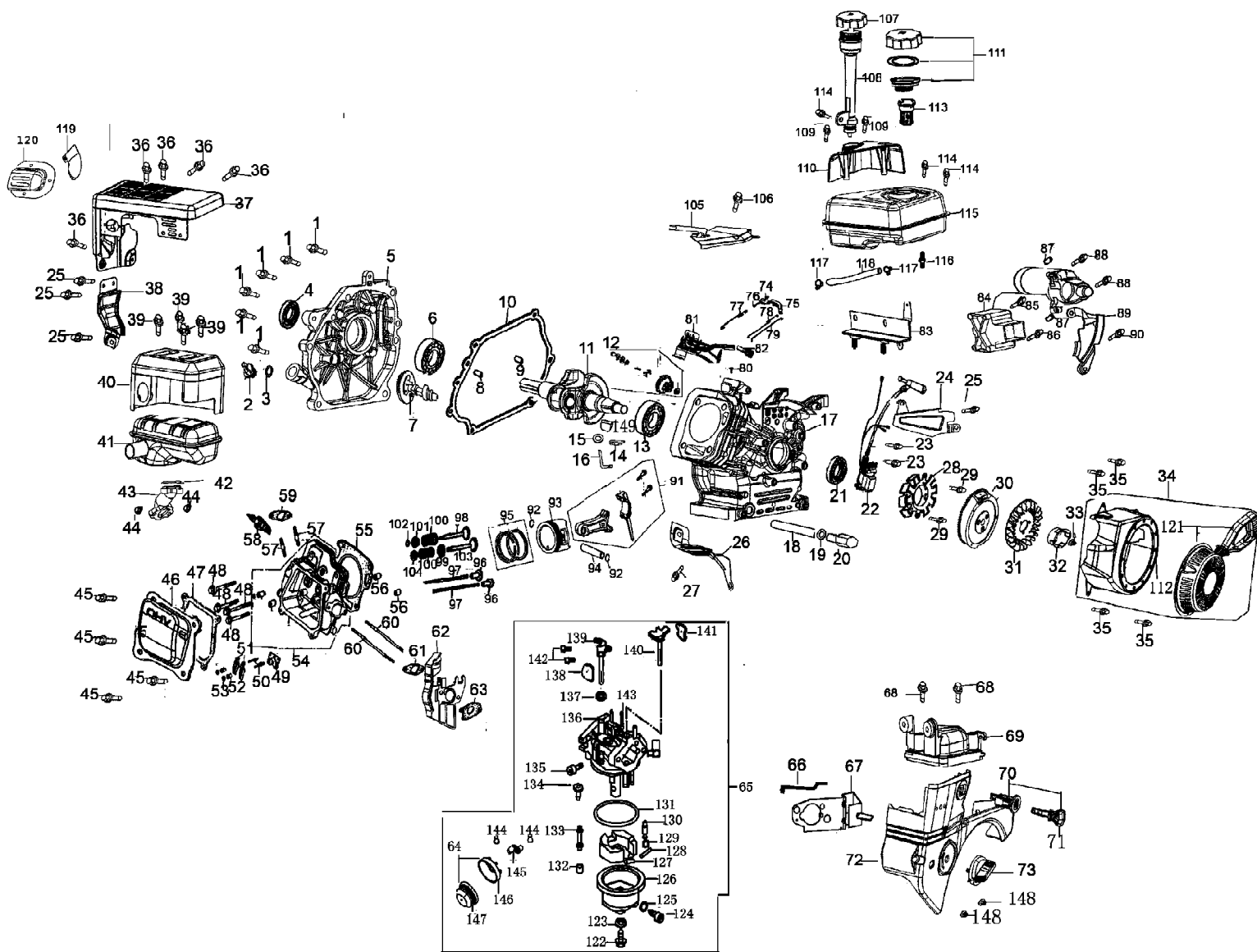
| Ref # | Part Number | Qty | S/P/F | Description                           |
|-------|-------------|-----|-------|---------------------------------------|
| 1     | 656-04025A  | 1   | /P    | Friction Wheel Disc Assembly          |
| 2     | 684-04153   | 1   |       | Friction Wheel Ass'y, Bearing 5.5 OD  |
| 3     | 684-04154   | 1   | S     | Friction Wheel Support Brkt Ass'y     |
| 4     | 684-04156A  | 1   |       | Shift Rod Ass'y                       |
| 5     | 710-0627    | 1   | /P    | Hex L-Bolt 5/16-24 x .75 Gr. 5        |
| 6     | 710-0788    | 1   | /P    | Hex Bolt 1/4-20 x 1.00                |
| 7     | 710-1652    | 1   | /P    | Hex Wash Hd TT Scr. 1/4-20 x .625     |
| 8     | 712-04065   | 1   | /P    | Flange Lock-Nut 3/8-16 Gr. F Nylon    |
| 9     | 712-0417A   | 1   | /P    | Jam L-Nut 5/8-18                      |
| 10    | 714-0126    | 1   | S     | #9 HI-Pro Key 3/16 x 3/4 Dia HT       |
| 11    | 716-0104    | 1   | S     | Retaining Ring                        |
| 12    | 716-0136    | 1   |       | Retainer Ring                         |
| 13    | 716-0231    | 1   | S     | "E" Ring                              |
| 14    | 717-04209A  | 1   | S     | Hex Shaft .8125 - 7 tooth             |
| 15    | 717-04230   | 1   | S     | Gear - 80 Tooth                       |
| 16    | 726-0221    | 1   | /P    | Cap Speed Nut 1/4 Rod                 |
| 17    | 732-0264    | 1   | S     | Extension Spring 3/8 OD x 2.50        |
| 18    | 736-0242    | 1   | /P    | Cupped Washer .345 ID x .88 OD x .060 |
| 19    | 736-0287    | 1   | S     | Flat Washer .79 ID x 1.25 OD x .06    |
| 20    | 736-04161   | 1   |       | Flat Washer .75 x 1.00 x .06          |
| 21    | 737-0288    | 1   |       | Grease                                |
| 22    | 737-04166   | 1   |       | Rust Preventative Oil                 |
| 23    | 738-04184A  | 1   |       | Shoulder Screw .373 x .105:TT 1/4-20  |
| 24    | 738-0924A   | 1   | /P    | Hex Shld.Scr.1/4-28 x .375            |
| 25    | 741-0245    | 1   | S     | Hex. Flange Bearing.751" ID           |
| 26    | 741-0563    | 1   | S     | Ball Bearing w/snap ring              |
| 27    | 746-04229   | 1   |       | Drive Clutch Cable 44.83" Lg.         |
| 28    | 746-04230   | 1   |       | Auger Clutch Cable 47.23" Lg.         |
| 29    | 748-0190    | 1   | /P    | Spacer .513 ID x 1.0                  |
| 30    | 756-0625    | 1   |       | Cable Guide Roller                    |
| 31    | 790-00096   | 1   | S     | Auger Cable Guide Bracket             |
| 32    | 790-00180A  | 1   |       | Frame                                 |
| 33    | 790-00206A  | 1   | S     | Guide Bracket - Auger Cable           |
| 34    | 790-00207B  | 1   |       | Guide Bracket - Drive Cable           |
| 35    | 790-00316   | 1   |       | Frame Cover                           |
| 36    | 731-04873   | 1   |       | Spacer                                |
| 37    | 738-04168   | 1   | S     | Axle                                  |
| 38    | 634-04147A  | 1   | /P    | Wheel Assembly 15 x 5 x 6 LH X-Trac   |
| 38    | 634-04148A  | 1   | /P    | Wheel Assembly 15 x 5 x 6 RH X-Trac   |
| 38    | 634-04012   | 1   | S     | Tire 15 x 5 Not shown                 |
| 38    | 634-04172A  | 1   | /P    | Rim 15 x 5 Not shown                  |
| 39    | 684-04169   | 1   |       | Idler Pulley Assembly 1.917 OD        |
| 40    | 710-0809    | 1   |       | Hex Screw 1/4-20 x 1.25               |
| 41    | 710-0191    | 1   | /P    | Hex Screw 3/8-24 x 1.25               |
| 42    | 710-0672    | 1   | /P    | Hex Hd Cap Scr. 5/16-24 x 1.25 Gr. 5  |
| 43    | 710-0654A   | 1   | /P    | Hex Wash HD Tap Scr 3/8-16 x .88      |
| 44    | 710-1245B   | 1   | /P    | Hex Bolt 5/16-24 x 0.875              |
| 45    | 710-1652    | 1   | /P    | Hex Wash Hd TT Scr. 1/4-20 x .625     |
| 46    | 712-04064   | 1   | /P    | Hex L-Flanged Nut 1/4-20 Gr. F Nylon  |
| 47    | 726-04012   | 1   | S     | Push Nut                              |
| 48    | 731-04792A  | 1   | /P    | Belt Cover                            |
| 48    | 731-05353   | 1   |       | Belt Cover (w/4 way chute control)    |
| 49    | 732-04308A  | 1   |       | Spring .850 ID x .354" Lg.            |



31AM63K2597 (2008)  
Drive Assembly

Page 9 of 23

| Ref # | Part Number | Qty | S/P/F | Description  |
|-------|-------------|-----|-------|--|
| 50    | 736-0247    | 1   | /P    | Flat Washer .40 ID x 1.25 OD x .160                        |
| 51    | 736-0264    | 1   | S     | Flat Washer .330 ID x .630 OD x .0635 with MTD Engine Only |
| 52    | 736-0505    | 1   |       | Flat Washer .34 x 1.50 x .150                              |
| 53    | 737-0318    | 1   | S     | Grease:Arctic:EP NLGI 1-58F                                |
| 54    | 748-04053   | 1   | S     | Pulley Adapter   |
| 55    | 736-0119    | 1   | S     | Lockwasher 5/16  |
| 56    | 750-04303   | 1   |       | Spacer .875 ID x 1.185 OD                                  |
| 57    | 750-04477A  | 1   |       | Spacer .340 x .750 x .360" Lg.                             |
| 58    | 754-04050   | 1   | S     | Belt .5 x 35.0" Lg.  |
| 59    | 754-0367    | 1   | S     | Belt 34.4" Lg.   |
| 60    | 756-04109   | 1   |       | Auger Pulley   |
| 61    | 756-04113   | 1   |       | Pulley Half  |
| 62    | 756-04252   | 1   |       | Pulley Half 3/8 V x 1.71 OD                                |
| 63    | 790-00208C  | 1   | /P    | Wheel Drive Idler Bracket                                  |
| 64    | 710-0751    | 1   | /P    | Hex Bolt 1/4-20 x .62 Gr. 5                                |
| 65    | 712-04063   | 1   | /P    | Flange Locknut 5/16-18 Gr. F, Nylon                        |
| 66    | 735-04054   | 1   | S     | Friction Wheel Rubber                                      |
| 67    | 732-04311   | 1   |       | Torsion Spring .750 ID x .968" Lg.                         |
| 68    | 738-04184A  | 1   |       | Shoulder Screw .373 x .105:TT 1/4-20                       |
| 69    | 710-04022   | 1   |       | Hex. Hd. Cap Scr. M8-1.25:20 Gr. 8 with Engine Only        |
| 70    | 790-00217A  | 1   | S     | Pivot Bracket  |
| 71    | 790-00218A  | 1   | S     | Shift Bracket  |
| 72    | 790-00174   | 1   |       | Friction Plate   |
| 73    | 748-04112B  | 1   | /P    | Shld. Spacer .3175 x .5 x .1025                            |
| 74    | 750-04571   | 1   |       | Spacer   |
| 75    | 790-00289A  | 1   | S     | Cover Plate (optional)                                     |
| 76    | 732-0705    | 1   |       | Cable Control Wire   |
| 77    | 748-0234    | 1   | /P    | Shoulder Spacer  |
| 78    | 735-04100   | 1   |       | Plug 1/2"  |
| 79    | 735-04099   | 1   |       | Plug 3/8"  |
| 80    | 736-3015    | 1   | S     | Flat Washer .469 x .875 x .105                             |
| 81    | 736-0320    | 1   | /P    | Flat Washer .38 x 1.38 x .125 (Rear left hole)             |
| 82    | 710-0896    | 1   | /P    | Hex Wash. Hd. TT Scr. 1/4-14 x .625                        |



31AM63K2597 (2008)  
Engine Assembly

Page 11 of 23

| Ref # | Part Number | Qty | S/P/F | Description   |
|-------|-------------|-----|-------|---|
| 1     |             | 1   |       | Bolt Furnish 751-10724 Short Block Assembly                     |
| 2     |             | 1   |       | Oil Filler Plug Furnish 751-10724 Short Block Assembly          |
| 3     |             | 1   |       | O-ring Furnish 751-10724 Short Block Assembly                   |
| 4     |             | 1   |       | Oil seal, 25 x 41.25 x 6 Furnish 751-10724 Short Block Assembly |
| 5     |             | 1   |       | Crankcase cover Furnish 751-10724 Short Block Assembly          |
| 6     |             | 1   |       | Radial Ball Bearing Furnish 751-10724 Short Block Assembly      |
| 7     |             | 1   |       | Camshaft Assembly Furnish 751-10724 Short Block Assembly        |
| 8     |             | 1   |       | Dowel Pin, 9 x 14 Furnish 751-10724 Short Block Assembly        |
| 9     |             | 1   |       | Dowel Pin, 7 x 14 Furnish 751-10724 Short Block Assembly        |
| 10    |             | 1   |       | Crankcase Cover Gasket Furnish 751-10724 Short Block Assembly   |
| 10    |             | 1   |       | Crankcase Cover Gasket Furnish 751-10723 Gasket Kit - Complete  |
| 11    |             | 1   |       | Crankshaft Complete Furnish 751-10724 Short Block Assembly      |
| 12    |             | 1   |       | Governor Kit Furnish 751-10724 Short Block Assembly             |
| 13    |             | 1   |       | Radial Ball Bearing Furnish 751-10724 Short Block Assembly      |
| 14    |             | 1   |       | Pin Lock Furnish 751-10724 Short Block Assembly                 |
| 15    |             | 1   |       | O-ring, 5.2 x 1.9 Furnish 751-10724 Short Block Assembly        |
| 15    |             | 1   |       | O-ring, 5.2 x 1.9 Furnish 751-10723 Gasket Kit - Complete       |
| 16    |             | 1   |       | Governor Arm Furnish 751-10724 Short Block Assembly             |
| 17    |             | 1   |       | Crankcase Furnish 751-10724 Short Block Assembly                |
| 18    |             | 1   |       | Oil-Draining Pipe Furnish 751-10724 Short Block Assembly        |
| 18    |             | 1   |       | Oil-Draining Pipe Furnish 751-10723 Gasket Kit - Complete       |

31AM63K2597 (2008)  
Engine Assembly

Page 12 of 23

| Ref # | Part Number | Qty | S/P/F | Description   |
|-------|-------------|-----|-------|---|
| 18    | 751-10641   | 1   | S     | Oil Drain Assembly Incl. Ref No. 18-20                              |
| 19    |             | 1   |       | Washer, 10 x 16 x 1.5 Furnish 751-10724<br>Short Block Assembly     |
| 19    |             | 1   |       | Washer, 10 x 16 x 1.5 Furnish 751-10723<br>Gasket Kit - Complete    |
| 20    |             | 1   |       | Drain Bolt, 10 x 1.25 Furnish 751-10724<br>Short Block Assembly     |
| 20    |             | 1   |       | Drain Bolt, 10 x 1.25 Furnish 751-10723<br>Gasket Kit - Complete    |
| 21    |             | 1   |       | Oil Seal, 25 x 41.25 x 6 Furnish 751-10724<br>Short Block Assembly  |
| 21    |             | 1   |       | Oil Seal, 25 x 41.25 x 6 Furnish 751-10723<br>Gasket Kit - Complete |
| 22    | 751-10646   | 1   | S     | Ignition Module   |
| 28    | 751-10719   | 1   | S     | Stator  |
| 30    | 751-10805   | 1   | S     | Flywheel  |
| 31    | 751-10909   | 1   | S     | Cooling Fan   |
| 32    | 751-10911   | 1   | S     | Starter Cup   |
| 37    | 751-10642A  | 1   | S     | Muffler Shroud  |
| 40    | 751-10643   | 1   | S     | Muffler Shield  |
| 41    | 751-10644   | 1   | S     | Muffler Complete Incl. Ref No. 41 & 43                              |
| 42    |             | 1   |       | Gasket Furnish 751-10723 Gasket Kit -<br>Complete                   |
| 42    | 751-10666   | 1   | S     | Gasket  |
| 47    |             | 1   |       | Valve Cover Gasket Furnish 751-10722<br>Cylinder Head Assembly      |
| 47    |             | 1   |       | Valve Cover Gasket Furnish 751-10723<br>Gasket Kit - Complete       |
| 47    |             | 1   |       | Valve Cover Gasket Furnish 751-10952<br>Gasket Kit - External       |
| 49    |             | 1   |       | Plate Push Rod Guide Furnish 751-10722<br>Cylinder Head Assembly    |
| 50    |             | 1   |       | Pivot Bolt Furnish 751-10722 Cylinder Head<br>Assembly              |
| 51    |             | 1   |       | Rocker Arm Furnish 751-10722 Cylinder<br>Head Assembly              |
| 52    |             | 1   |       | Valve Adjusting Nut Furnish 751-10722<br>Cylinder Head Assembly     |
| 53    |             | 1   |       | Pivot Locking Nut Furnish 751-10722<br>Cylinder Head Assembly       |
| 54    |             | 1   |       | Cylinder Head Complete Furnish 751-10722<br>Cylinder Head Assembly  |
| 55    |             | 1   |       | Cylinder Head Gasket Furnish 751-10724<br>Short Block Assembly      |

31AM63K2597 (2008)  
Engine Assembly

Page 13 of 23

| Ref # | Part Number | Qty | S/P/F | Description  |
|-------|-------------|-----|-------|--|
| 55    |             | 1   |       | Cylinder Head Gasket Furnish 751-10722<br>Cylinder Head Assembly       |
| 55    |             | 1   |       | Cylinder Head Gasket Furnish 751-10723<br>Gasket Kit - Complete        |
| 56    |             | 1   |       | Dowel Pin, 10 x 16 Furnish 751-10724 Short<br>Block Assembly           |
| 57    | 751-10657   | 1   | S     | Muffler Stud Assembly, 8 x 34  |
| 58    | 751-10292   | 1   | S     | Spark Plug   |
| 59    |             | 1   |       | Gasket Muffler Furnish 751-10724 Short<br>Block Assembly               |
| 59    |             | 1   |       | Gasket Muffler Furnish 751-10722 Cylinder<br>Head Assembly             |
| 59    |             | 1   |       | Gasket Muffler Furnish 751-10723 Gasket Kit<br>- Complete              |
| 59    |             | 1   |       | Gasket Muffler Furnish 751-10952 Gasket Kit<br>- External              |
| 61    |             | 1   |       | Insulator Gasket Carburetor Furnish<br>751-10724 Short Block Assembly  |
| 61    |             | 1   |       | Insulator Gasket Carburetor Furnish<br>751-10723 Gasket Kit - Complete |
| 61    |             | 1   |       | Insulator Gasket Carburetor Furnish<br>751-10952 Gasket Kit - External |
| 62    |             | 1   |       | Carburetor Insulator Furnish 751-10724 Short<br>Block Assembly         |
| 62    |             | 1   |       | Carburetor Insulator Furnish 751-10723<br>Gasket Kit - Complete        |
| 62    |             | 1   |       | Carburetor Insulator Furnish 751-10952<br>Gasket Kit - External        |
| 63    |             | 1   |       | Carburetor Gasket Furnish 751-10723<br>Gasket Kit - Complete           |
| 63    |             | 1   |       | Carburetor Gasket Furnish 751-10952<br>Gasket Kit - External           |
| 65    | 751-10638   | 1   | S     | Carburetor Assembly (370-SUB)  |
| 65    | 951-11021   | 1   | /P    | Carburetor Kit Complete rebuild, Not shown                             |
| 66    | 751-10640   | 1   | S     | Choke Push Rod   |
| 69    | 751-10635   | 1   | S     | Air Filter Heating Pipe Cover  |
| 70    | 751-10637   | 1   | S     | Key Switch   |
| 71    | 751-10630   | 1   | S     | Key  |
| 72    | 751-10634   | 1   | S     | Shroud   |
| 73    | 751-10636   | 1   | S     | Choke Knob   |
| 77    | 751-10654   | 1   | S     | Spring Governor  |
| 78    | 751-10664   | 1   | S     | Spring Throttle Return   |
| 79    | 751-10665   | 1   | S     | Rod Governor   |
| 81    | 751-10758   | 1   | S     | Throttle Control Assembly  |
| 82    | 751-10757   | 1   | S     | Throttle Control Knob  |

31AM63K2597 (2008)  
Engine Assembly

Page 14 of 23

| Ref # | Part Number | Qty | S/P/F | Description  |
|-------|-------------|-----|-------|--|
| 84    | 751-10645A  | 1   | S     | Electric Starter, 110v   |
| 91    |             | 1   |       | Connecting Rod Assembly Furnish<br>751-10724 Short Block Assembly          |
| 92    |             | 1   |       | Piston Pin Clip Furnish 751-10724 Short<br>Block Assembly                  |
| 93    |             | 1   |       | Piston Furnish 751-10724 Short Block<br>Assembly                           |
| 94    |             | 1   |       | Pin Piston Furnish 751-10724 Short Block<br>Assembly                       |
| 97    |             | 1   |       | Push Rod Furnish 751-10723 Gasket Kit -<br>Complete                        |
| 97    | 751-10648   | 1   | S     | Push Rod Kit   |
| 98    |             | 1   |       | Exhaust Valve Furnish 751-10722 Cylinder<br>Head Assembly                  |
| 98    |             | 1   |       | Exhaust Valve Furnish 751-10723 Gasket Kit<br>- Complete                   |
| 98    | 751-10647   | 1   | S     | Valve Kit Incl. Ref No. 98 & 103   |
| 99    |             | 1   |       | Valve Seal Furnish 751-10722 Cylinder Head<br>Assembly                     |
| 100   |             | 1   |       | Spring Valve Furnish 751-10722 Cylinder<br>Head Assembly                   |
| 101   |             | 1   |       | Exhaust Valve Spring Retainer Furnish<br>751-10722 Cylinder Head Assembly  |
| 102   |             | 1   |       | Exhaust Valve Adjuster Furnish 751-10722<br>Cylinder Head Assembly         |
| 103   |             | 1   |       | Intake Valve Furnish 751-10722 Cylinder<br>Head Assembly                   |
| 103   |             | 1   |       | Intake Valve Furnish 751-10723 Gasket Kit -<br>Complete                    |
| 104   |             | 1   |       | Internal Valve Spring Retainer Furnish<br>751-10722 Cylinder Head Assembly |
| 107   | 751-10655   | 1   | S     | Dipstick   |
| 108   | 751-10656   | 1   | S     | Dipstick Base  |
| 110   | 751-10662   | 1   | S     | Dipstick Decoration Cover  |
| 111   | 751-10649   | 1   | S     | Fuel Tank Cap  |
| 112   | 751-10663A  | 1   | S     | Blower Housing   |
| 113   | 751-10652   | 1   | S     | Fuel Filter  |
| 115   | 751-10653A  | 1   | S     | Fuel Tank  |
| 116   | 751-10651   | 1   | S     | Nipple Fuel Tank   |
| 117   | 751-10650   | 1   | S     | Fuel Line Kit Incl. Ref No. 117 & 118                                      |
| 121   | 751-10658   | 1   | S     | Recoil Starter Assembly  |
| 122   |             | 1   |       | Fuel Drain Plug Furnish 751-10638<br>Carburetor Assembly                   |
| 123   |             | 1   |       | Fuel Cup Fixed Bolt Packing Furnish<br>751-10638 Carburetor Assembly       |

31AM63K2597 (2008)  
Engine Assembly

Page 15 of 23

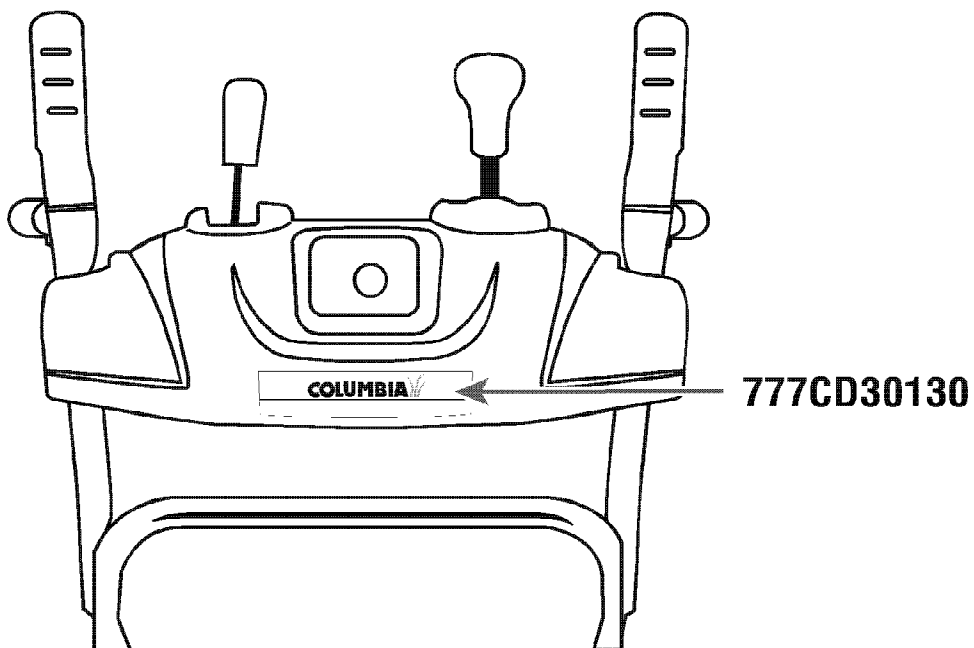
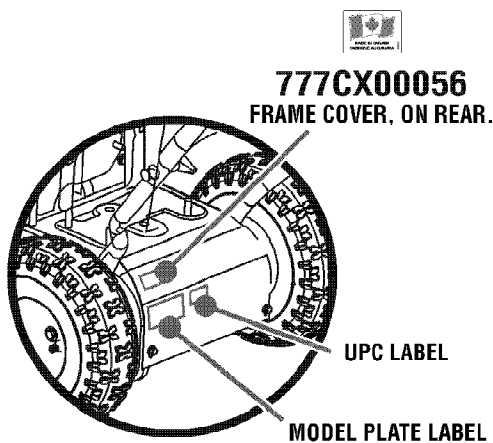
| Ref # | Part Number | Qty | S/P/F | Description  |
|-------|-------------|-----|-------|--|
| 124   |             | 1   |       | Fuel Drain Plug Furnish 751-10638 Carburetor Assembly            |
| 125   |             | 1   |       | Fuel Drain Plug Gasket Furnish 751-10638 Carburetor Assembly     |
| 126   |             | 1   |       | Fuel Cup Furnish 751-10638 Carburetor Assembly                   |
| 127   |             | 1   |       | Float Furnish 751-10638 Carburetor Assembly                      |
| 128   |             | 1   |       | Floating Pin Furnish 751-10638 Carburetor Assembly               |
| 129   |             | 1   |       | Needle Valve Spring Furnish 751-10638 Carburetor Assembly        |
| 130   |             | 1   |       | Needle Valve Furnish 751-10638 Carburetor Assembly               |
| 131   |             | 1   |       | O-ring Packing Furnish 751-10638 Carburetor Assembly             |
| 132   |             | 1   |       | Main Jet Furnish 751-10638 Carburetor Assembly                   |
| 133   |             | 1   |       | Main Nozzle Furnish 751-10638 Carburetor Assembly                |
| 134   |             | 1   |       | Idle Jet Assembly Furnish 751-10638 Carburetor Assembly          |
| 135   |             | 1   |       | Idle Speed Adjusting Screw Furnish 751-10638 Carburetor Assembly |
| 136   |             | 1   |       | Carburetor Body Furnish 751-10638 Carburetor Assembly            |
| 137   |             | 1   |       | Fiber Seal Furnish 751-10638 Carburetor Assembly                 |
| 138   |             | 1   |       | Choke Plate Furnish 751-10638 Carburetor Assembly                |
| 139   |             | 1   |       | Throttle Shaft Furnish 751-10638 Carburetor Assembly             |
| 140   |             | 1   |       | Choke Plate Furnish 751-10638 Carburetor Assembly                |
| 141   |             | 1   |       | Choke Shaft Furnish 751-10638 Carburetor Assembly                |
| 142   |             | 1   |       | Cross Screw Furnish 751-10638 Carburetor Assembly                |
| 143   |             | 1   |       | Position Spring Furnish 751-10638 Carburetor Assembly            |
| 144   |             | 1   |       | Clip Furnish 751-10638 Carburetor Assembly                       |

31AM63K2597 (2008)  
Engine Assembly

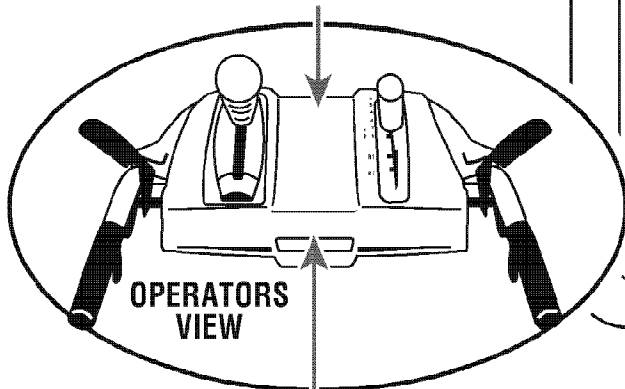
Page 16 of 23

| Ref # | Part Number | Qty | S/P/F | Description                                       |
|-------|-------------|-----|-------|---|
| 145   |             | 1   |       | Fuel Hose Furnish 751-10638 Carburetor Assembly   |
| 146   |             | 1   |       | Primer Base Furnish 751-10638 Carburetor Assembly |
| 147   |             | 1   |       | Primer Bulb Furnish 751-10638 Carburetor Assembly |
| 147   | 751-10639   | 1   | S     | Primer  |
| 149   | 751-10307   | 1   | S     | Woodruff Key                                      |
|       | 751-10724   | 1   | S     | Short Block Assembly                              |
|       | 751-10722   | 1   | S     | Cylinder Head Assembly                            |
|       | 751-10723   | 1   | S     | Gasket Kit - Complete                             |
|       | 751-10952   | 1   | S     | Gasket Kit - External                             |
|       | 952Z370-SUB | 1   | /P    | Complete 370-SUA Engine                           |



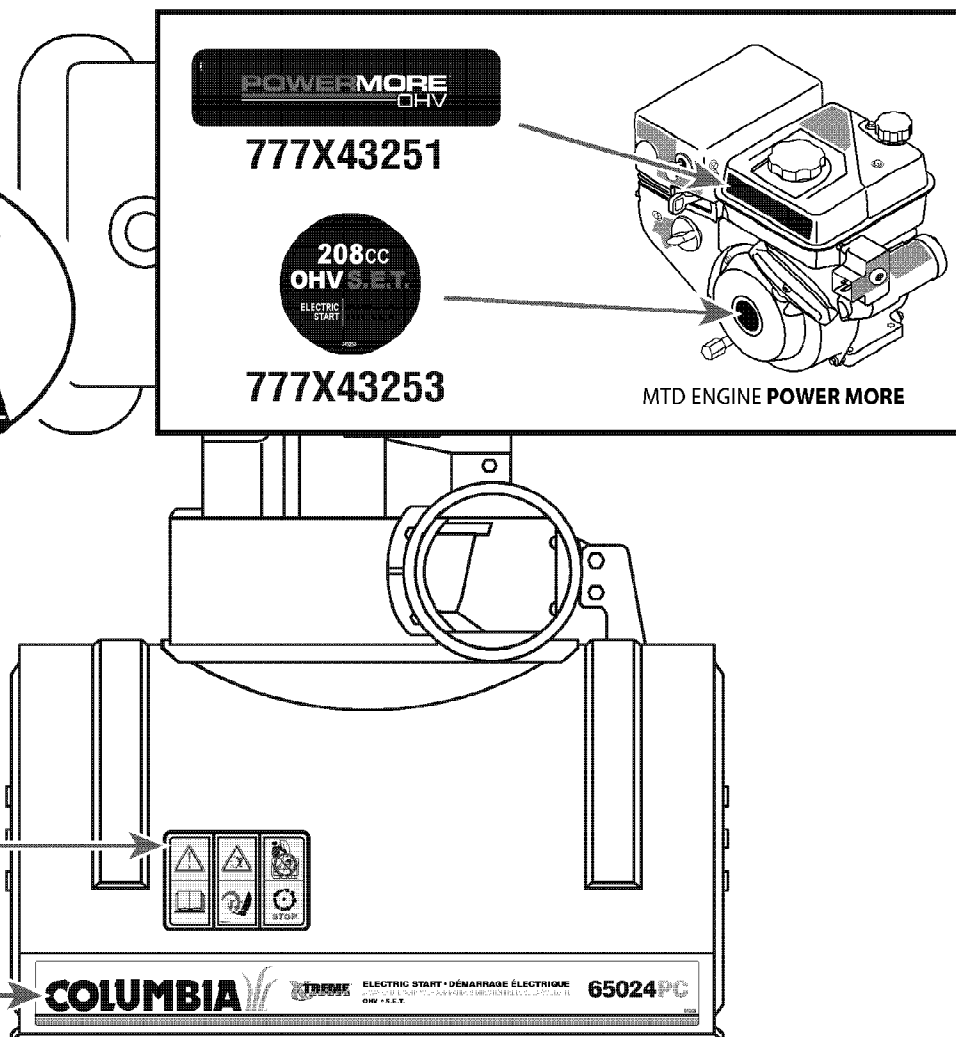


**777S33143**



**777CS00071**  
LOCATE 0.50" BELOW BEND.  
READ FROM FRONT.

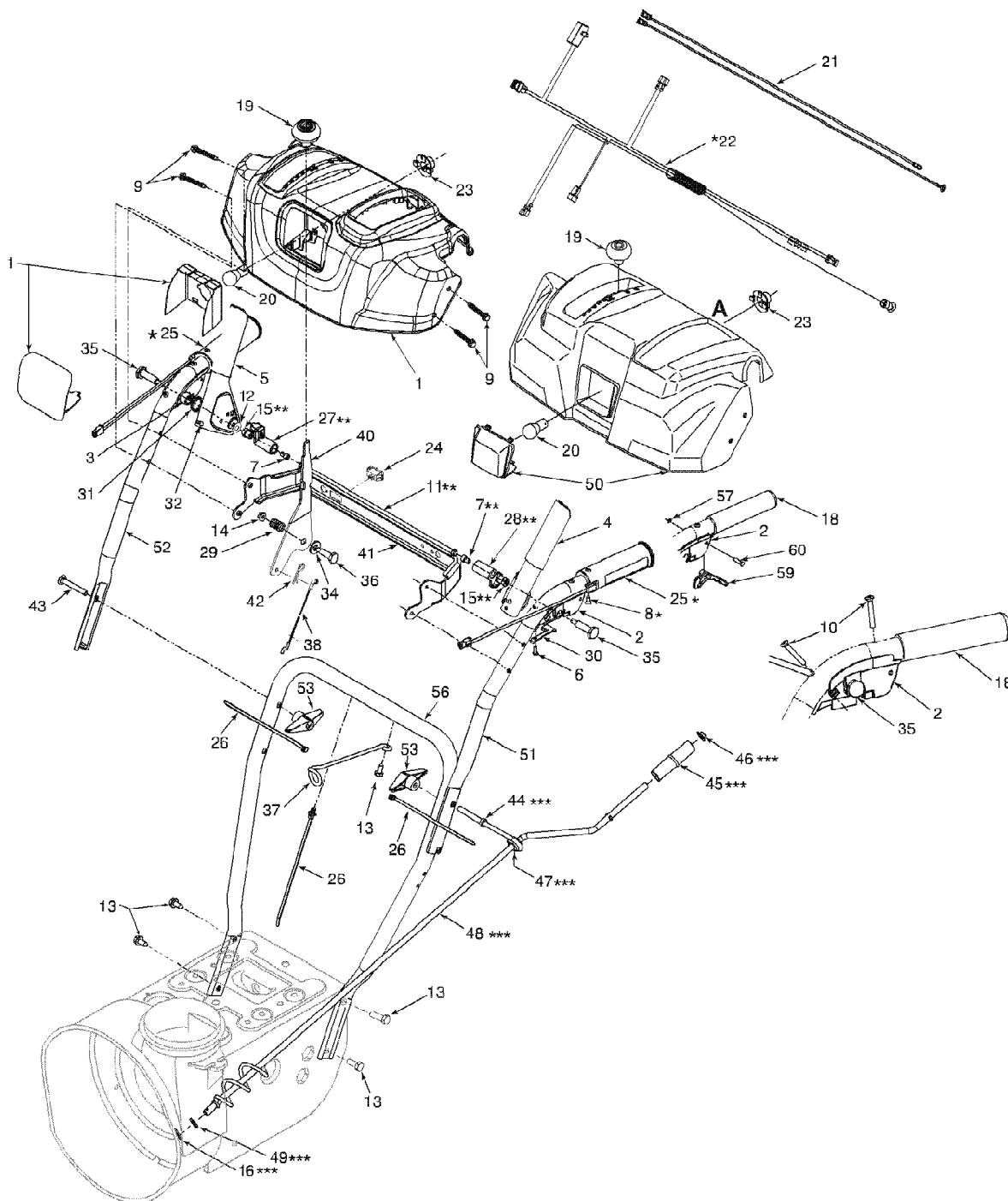
**777D12729**



31AM63K2597 (2008)  
Label Map

Page 18 of 23

| Ref #      | Part Number | Qty | S/P/F | Description                      |
|------------|-------------|-----|-------|----------------------------------|
| 777S33143  | 777S33143   | 1   |       | LABEL-SNOW:CNTRL PNL K/P:2-W:CDN |
| 777CI00142 | 777CI00142  | 1   |       | LABEL-SNOW:CNTRLPNL:STY0:NON-STR |
| 777CS00071 | 777CS00071  | 1   |       | LABEL-DANGER AUGER               |
| 777D12729  | 777D12729   | 1   |       | LABEL-SNOW:HSG:63K2:24:597       |
| 777X43251  | 777X43251   | 1   |       | LABEL-SNOW:SHRD:MTD ENG PM:CDN   |
| 777X43253  | 777X43253   | 1   |       | LABEL-SNOW:SHRD:SPN:PM 208CC:CDN |
| 777CD30130 | 777CD30130  | 1   |       | LABEL-SNOW:HNDLPNL:STY 0         |



31AM63K2597 (2008)  
Panel K Style Assembly

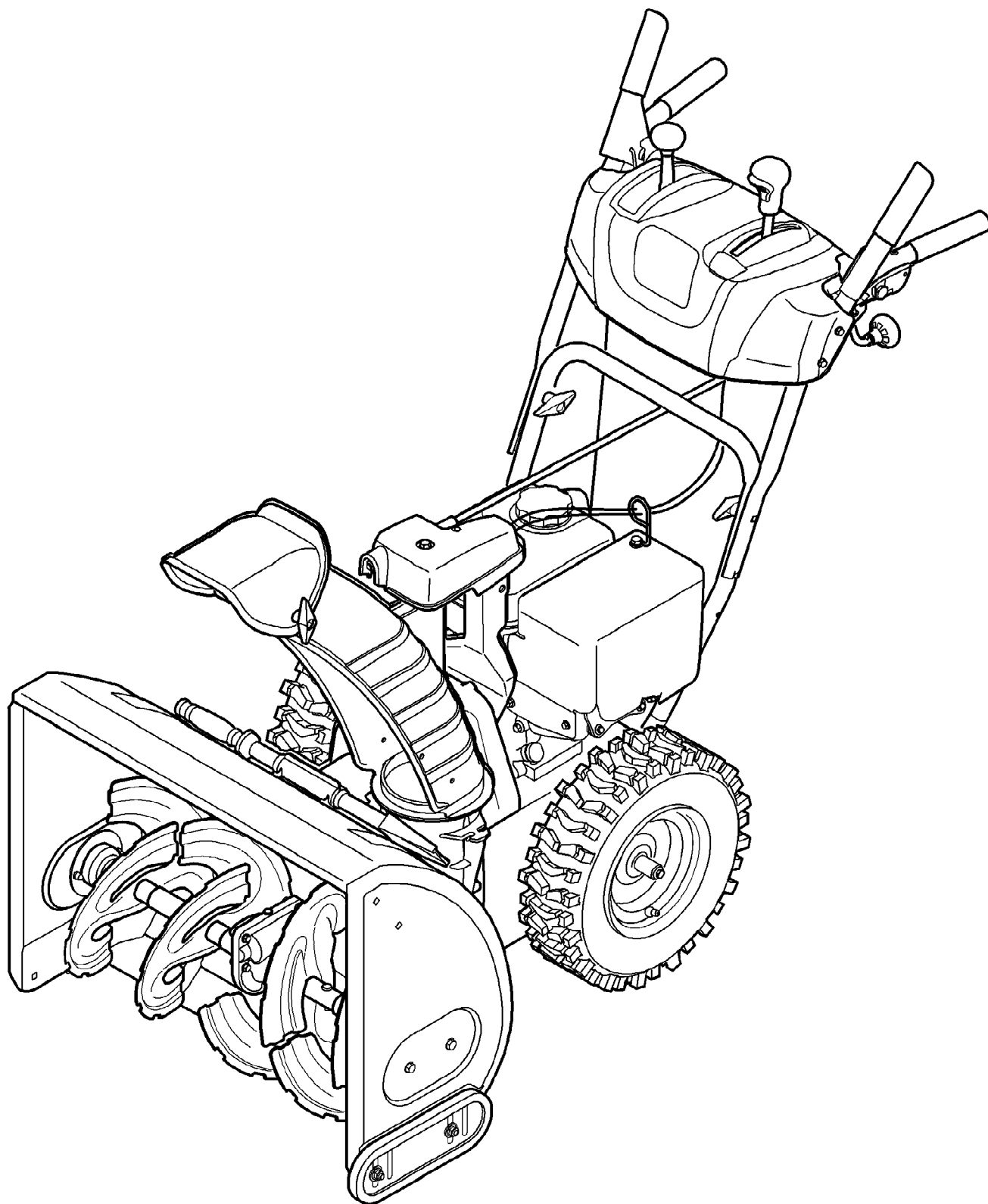
Page 20 of 23

| Ref # | Part Number | Qty | S/P/F | Description   |
|-------|-------------|-----|-------|---|
| 1     | 631-04180   | 1   | /P    | Handle Panel Ass'y - Yellow                                 |
| 1     | 631-04185   | 1   | /P    | Handle Panel Ass'y - Black                                  |
| 1     | 631-04183   | 1   | S     | Handle Panel Ass'y-Black w/Chute Control                    |
| 2     | 631-04133A  | 1   | /P    | LH Clutch Lock Handle Ass'y                                 |
| 3     | 631-04134B  | 1   |       | RH Clutch Lock Handle Ass'y                                 |
| 4     | 684-04105B  | 1   | /P    | Engagement Handle Assembly LH                               |
| 5     | 684-04106B  | 1   | /P    | Engagement Handle Assembly RH                               |
| 6     | 710-04326   | 1   |       | Screw #8-16 x .50   |
| 7     | 710-3069    | 1   | /P    | Hex Cap Socket Screw 1/4-20 x .5                            |
| 8     | 710-0837    | 1   |       | Oval HD C-Sunk Scr #10 x 5/8                                |
| 9     | 710-04586   | 1   |       | Hex TT-Tap Scr 1/4-20 x 1.625                               |
| 10    | 710-1233    | 1   | /P    | Oval C-Sunk Hd Screw 10-24 x 1.375                          |
| 11    | 684-04250   | 1   | /P    | Pivot Rod   |
| 13    | 710-04484   | 1   |       | Hex TT Screw 3/8-16 x .75                                   |
| 14    | 712-04064   | 1   | /P    | Hex L-Flanged Nut 1/4-20 Gr. F Nylon                        |
| 15    | 712-04081A  | 1   |       | Hex Shoulder Nut 1/4-20 with auger control lock             |
| 15    | 712-04064   | 1   | /P    | Hex L-Flg Nut 1/4-20 Gr. F Nylon without auger control lock |
| 16    | 714-0104    | 1   | S     | Int. Cotter Pin .072 x 1.13" Lg.                            |
| 18    | 720-0274    | 1   | /P    | Grip  |
| 19    | 720-04039   | 1   |       | Shift Knob  |
| 19    | 720-04045   | 1   |       | Shift Knob - Yellow   |
| 20    | 725-04213   | 1   | S     | Lamp #1295  |
| 20    | 725-1629    | 1   |       | Lamp (208 cc/179 cc MTD engine)                             |
| 21    | 725-04314   | 1   |       | Wire Harness  |
| 21    | 625-04054   | 1   |       | Wire Harness (w/sq. alternator connector)                   |
| 22    | 725-04216A  | 1   |       | Heated Grip Wire Harness                                    |
| 23    | 725-1649    | 1   | S     | Socket  |
| 24    | 725-04393   | 1   |       | Switch  |
| 25    | 725-1757    | 1   |       | Heated Grip   |
| 26    | 726-0154    | 1   | S     | Cable Tie (w/plug)  |
| 26    | 725-0157    | 1   | /P    | Cable Tie (w/heated grips)                                  |
| 27    | 731-04894D  | 1   | /P    | Lock Plate with auger control lock                          |
| 28    | 731-04896B  | 1   | /P    | Clutch Lock Cam with auger control lock                     |
| 29    | 732-0193    | 1   | /P    | Compression Spring .38 ID x .88 Lg                          |
| 30    | 732-04219C  | 1   | /P    | Spring: Clutch Lock   |
| 31    | 732-04238   | 1   |       | Torsion Spring .8156 x .3038                                |
| 32    | 735-0199A   | 1   | S     | Rubber Bumper   |
| 34    | 736-0267    | 1   | S     | Flat Washer .38 ID x .87 OD x .09                           |
| 35    | 738-04348   | 1   | /P    | Shoulder Screw .437 x 1.345: 1/4-20                         |
| 36    | 738-04125   | 1   |       | Shoulder Screw .374 Dia. x 1.05 Lg.                         |
| 37    | 747-04784   | 1   |       | Cable Guide (W/B&S engine)                                  |
| 38    | 746-04396   | 1   | S     | Selector Speed Cable  |
| 40    | 790-00311   | 1   | S     | Shift Lever   |
| 41    | 790-00248B  | 1   | S     | Panel Support   |
| 42    | 714-0145    | 1   | S     | Cotter Pin  |
| 43    | 710-0449    | 1   | S     | Carriage Bolt 5/16-18 x 2.25                                |
| 44    | 747-04263   | 1   |       | Chute Crank Eye Bolt Special with manual chute crank        |
| 45    | 720-0201A   | 1   | /P    | Knob 1.0 x 3.2 with manual chute crank                      |

31AM63K2597 (2008)  
Panel K Style Assembly

Page 21 of 23

| Ref # | Part Number | Qty | S/P/F | Description  |
|-------|-------------|-----|-------|--|
| 46    | 726-0100    | 1   | S     | Push Nut 3/8" Rod with manual chute crank                  |
| 47    | 735-0234    | 1   |       | Grommet with manual chute crank                            |
| 48    | 684-04104   | 1   | S     | Chute Crank Assembly with manual chute crank               |
| 49    | 736-0185    | 1   | S     | Flat Washer .406" I.D. x .75" O.D. with manual chute crank |
| 50    | 631-04181   | 1   | S     | Handle Panel Ass'y - Troy-Bilt                             |
| 51    | 749-04191A  | 1   |       | Upper Handle LH  |
| 52    | 749-04190A  | 1   | /P    | Upper Handle RH  |
| 53    | 720-0284    | 1   | S     | Handle Knob Assembly                                       |
| 56    | 749-04138A  | 1   | /P    | Lower Handle   |
| 57    | 716-04036   | 1   |       | E Ring   |
| 59    | 731-04913   | 1   |       | Steering Control   |
| 60    | 738-04126   | 1   |       | Pin 3/16   |



31AM63K2597 (2008)  
Quick Reference

Page 23 of 23

| Ref # | Part Number | Qty | S/P/F | Description           |
|-------|-------------|-----|-------|-----------------------|
|       | 751-10292   | 1   | S     | Spark Plug            |
|       | N/A         | 1   |       | Key                   |
|       | N/A         | 1   |       | Extension Cord        |
|       | 731-2643    | 1   | S     | Snow Removal Tool     |
|       | 746-04229   | 1   |       | Drive Cable           |
|       | 746-04230   | 1   |       | Auger Cable           |
|       | 746-04396   | 1   | S     | Speed Selector Cable  |
|       | 746-04238   | 1   | S     | Chute Cable           |
|       | 684-04107   | 1   |       | Auger Assembly - LH   |
|       | 684-04108   | 1   |       | Auger Assembly - RH   |
|       | 790-00120   | 1   |       | Shave Plate           |
|       | 684-04057A  | 1   | S     | Impeller Assembly     |
|       | 790-00091   | 1   |       | Slide Shoe            |
|       | 738-04124A  | 1   | /P    | Shear Pin             |
|       | 714-04040   | 1   |       | Bow Tie Cotter Pin    |
|       | 725-1629    | 1   |       | Lamp                  |
|       | 754-04050   | 1   | S     | Auger Belt            |
|       | 754-0367    | 1   | S     | Wheel Belt            |
|       | N/A         | 1   |       | Spiral Crescent       |
|       | N/A         | 1   |       | Rubber Paddle         |
|       | 656-04025A  | 1   | /P    | Friction Wheel        |
|       | 735-04054   | 1   | S     | Friction Wheel Rubber |
|       | 634-04147A  | 1   | /P    | Wheel - LH            |
|       | 634-04148A  | 1   | /P    | Wheel - RH            |