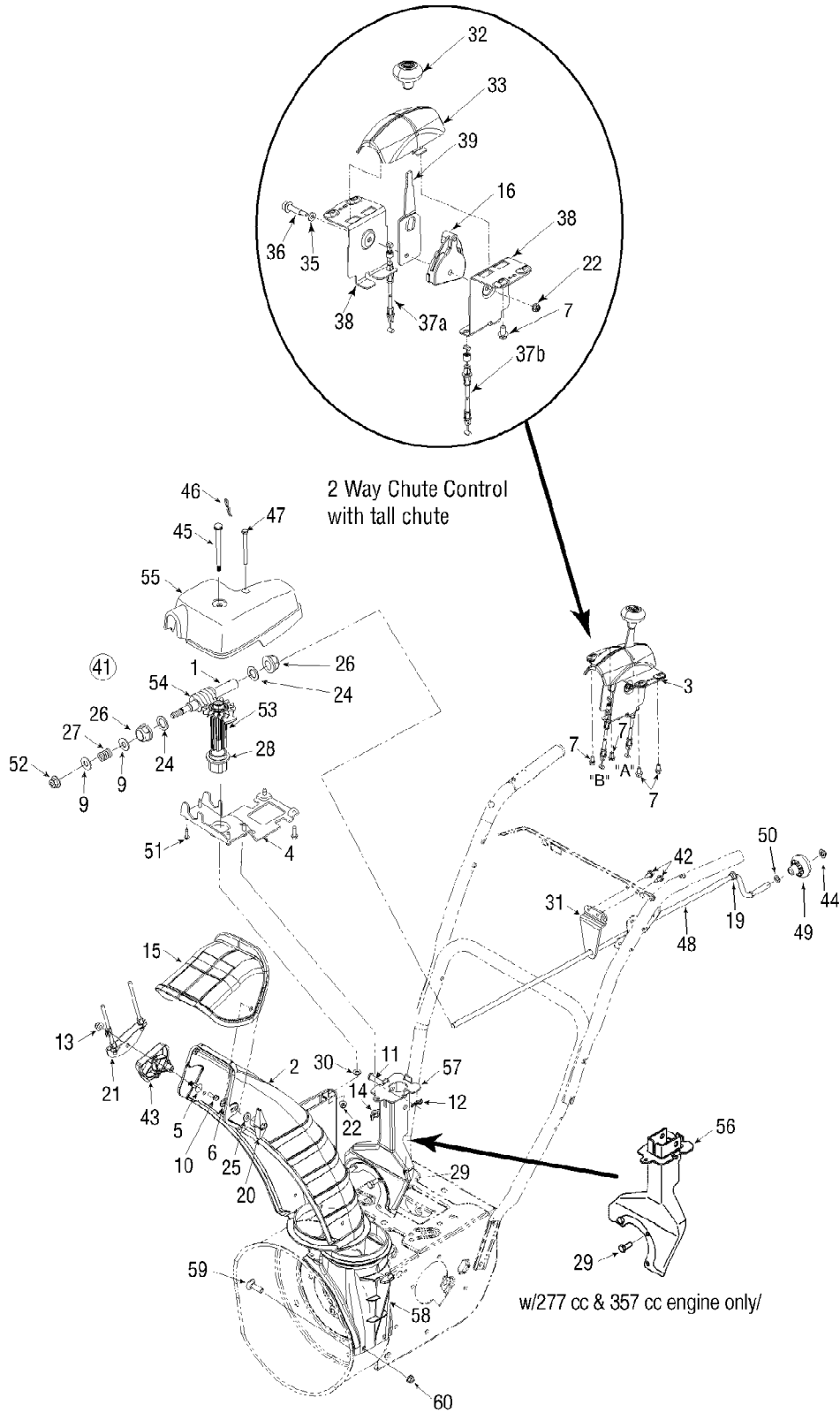


31AM53K2897 (2010)
2 Way Chute Control



31AM53K2897 (2010)
2 Way Chute Control

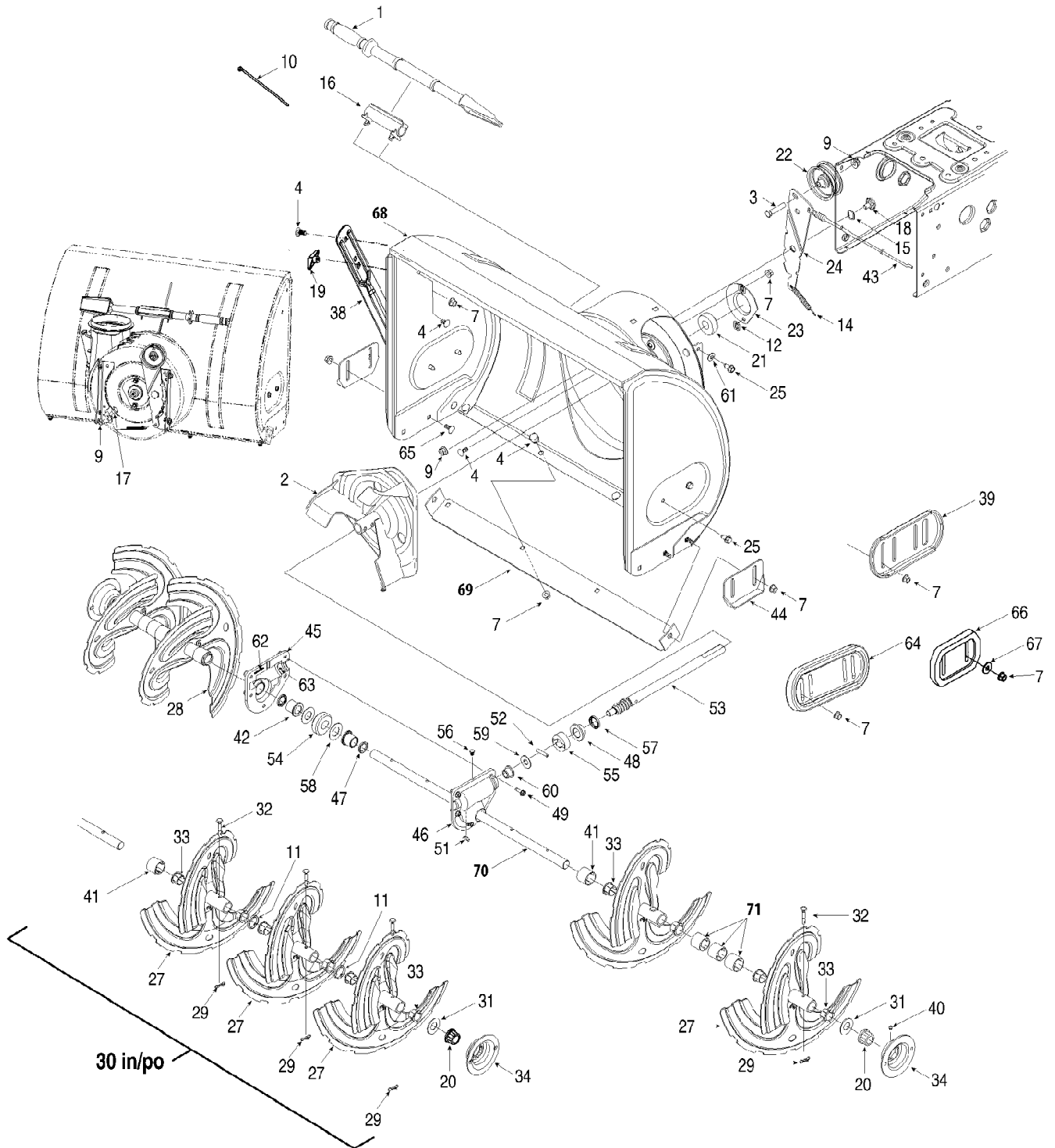
Page 2 of 21

Ref #	Part Number	Qty	S/P/F	Description
1	711-05329	1		Hex Shaft
2	731-06440A	1	/P	Tall Lower Chute
3	984-04325	1	/P	2 Way Chute Control Assembly
4	790-00342B-0637	1	/P	Chute Gear Rotation Bracket
5	710-0262	1	/P	Carriage Bolt 5/16-18 x 1.50 Gr. 2
6	710-04071	1		Carriage Screw 5/16-18 x 1.0
7	710-04187	1	/P	Hi-Lo Screw 1/4-15 x .5
9	736-3072	1	/P	Flat Washer .38 x .92 x .110
10	710-0895	1		Hex Tapp Scr 1/4 x .75" Lg.
11	711-04469A	1		Clevis Pin 3/8 x 1.87
12	714-04040	1		Bow Tie Cotter Pin
13	712-04063	1	/P	Flange Locknut 5/16-18 Gr. F Nylon
14	712-3087	1	/P	Wing Nut 1/4-20
15	731-04425B	1		Upper Chute w/Export Label, Remote
16	731-1313C	1	/P	Cable Guide
20	720-04072A	1	/P	Handle Knob Assembly
21	784-5594	1		Cable Bracket Chute Tilt
22	712-04064	1	/P	Hex L-Flanged Nut 1/4-20 Gr. F Nylon
24	736-0290	1	/P	Flat Washer .625 x 1.0 x .067
25	936-0159	1	/P	Flat Washer .349 ID x .879 OD x .063
26	941-0225	1	/P	Hex Flg. Bearing
27	732-04756	1		Compression Spring .39 x .60 x .88
28	741-04388	1		Hex Bearing
29	710-0627	1	/P	Hex Hd. Cap Screw 5/16-24 x .75
30	736-04446	1		Flat Washer .25 ID x .63 OD x .0515 HT.
31	790-00341	1		Support Rod Bracket
32	720-04039	1		Knob
33	731-05307	1		Control Cover - 2 Way
35	736-0413	1	/P	Spring Washer .390 x .625 x .012
36	738-04185	1		Flg Shlder Screw .310 x .995: 1/4-20
37a	946-04527	1	/P	Cable
37b	946-04551	1	/P	Cable
38	790-00200	1		Mount ing Bracket - 2 Way
39	790-00210A	1		Lever - 2 Way
41	918-04933	1	/P	Gear box Assembly
42	710-1652	1	/P	Hex Wash Hd TT Scr. 1/4-20 x .625
43	731-06451	1		Cable Guide
44	926-0100	1	/P	Push Nut 3/8" Rod
45	738-04367	1		Flg. Shoulder Screw .312 x 3.5: 1/4-20
46	914-0101	1	/P	Internal Cotter Pin
47	710-04370	1		Hex. Hd. Cap Scr. 1/4-20 x 3.0 Gr. 5
48	747-05386-0637	1	/P	Chute Crank .375 Dia. x 30.5" Lg.
49	720-04102	1		Knob
50	936-0185	1	/P	Flat Washer .375 x .738 x .063
51	710-04373A	1		Hi-Lo Screw #12-16 x .75
52	712-04065	1	/P	Hex L-Flanged Nut 3/8-16 Gr. F Nylon
53	717-04667	1		Gear 14 teeth helical w/hub
54	717-04672	1		Worm - Nylon
55	731-07529	1		Cover
56	684-04310A-0637	1	/P	Chute Sup. Bkt. Ass'y (w/277 cc & 357 cc engines only)
57	684-04311A-0637	1	/P	Chute Support Bracket Ass'y

31AM53K2897 (2010)
2 Way Chute Control

Ref #	Part Number	Qty	S/P/F	Description
58	731-07525	1		Chute Adapter
59	710-0703	1	/P	Carriage Screw 1/4-20 x .75 Gr. 5
60	712-04064	1	/P	Hex L-Flanged Nut 1/4-20 Gr. F Nylon

31AM53K2897 (2010)
Auger & Housing Assembly



31AM53K2897 (2010)
Auger & Housing Assembly

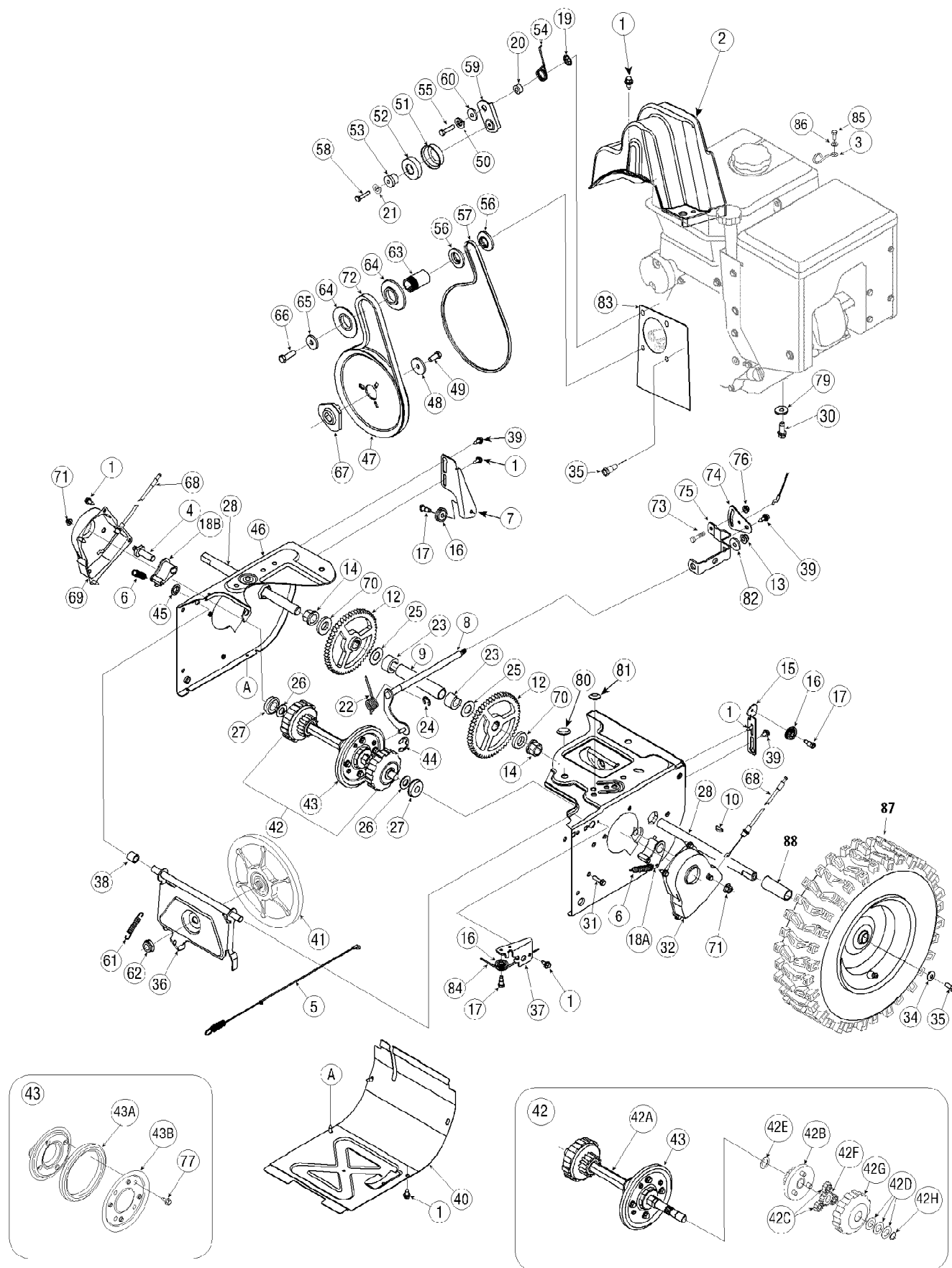
Page 5 of 21

Ref #	Part Number	Qty	S/P/F	Description
1	931-2643	1	/P	Clean-Out Tool
2	684-04057A-0637	1	/P	Impeller Ass'y 12 po
3	710-0347	1	/P	Hex Screw 3/8-16 x 1.75
4	710-0451	1	/P	Carriage Bolt 5/16-18 x .75
7	712-04063	1	/P	Flange Locknut 5/16-18 Gr. F Nylon
9	712-04065	1	/P	Hex L-Flanged Nut 3/8-16 Gr. F Nylon
10	725-0157	1	/P	Cable Tie
11	731-04871	1		Spacer 1.25 x .75 x 3/16" Lg.
12	926-04012	1	/P	Push-on Nut .25 dia.
14	732-04460	1		Extension Spring .38 OD x 4.59" Lg.
15	736-0174	1	/P	Wave Washer .660 ID x .88 OD x .010
16	731-2635	1		Cleanout Tool Mount
17	738-0143	1	/P	Shld. Scr. .500 Dia. x .335" Lg.
18	938-0281	1	/P	Shoulder Scr .625 Dia x .170
19	720-04072A	1	/P	Hand Knob
20	941-0245	1	/P	Hex. Flange Brg. .751" I.D.
21	941-0309	1	/P	Self-aligning Bearing
22	756-04224	1	/P	Flat Idler Pulley 2.75" OD
23	790-00075	1		Bearing Housing 1.85 ID
24	790-00080A-0637	1	/P	Auger Idler Brake Bracket
25	710-04484	1		Hex TT Screw 3/8-16 x .75
27	684-04107-0637	1		Spiral Ass'y LH
28	684-04108-0637	1		Spiral Ass'y RH
29	714-04040	1		Bow Tie Cotter Pin
31	736-0188	1	/P	Flat Washer .760 ID x 1.49 OD
32	738-04124A	1	/P	Shear Pin .25 x 1.5 Gr. 2
33	741-0493A	1	/P	Flange Bushing
34	790-00087A-0637	1	/P	Bushing Housing
34	790-00138A-0637	1	/P	Bushing Housing (w/grease Fitting hole)
38	790-00181-0606	1		Drift Cutter - optional
39	790-00091-0606	1		Reversible Slide Shoe (steel)
40	937-3000	1	/P	Grease Fitting (optional)
41	731-04870	1		Spacer 1.25 x .75 x 1.00
42	741-0661A	1	/P	Flange Bearing .75 ID x 1.0 OD x .975
43	746-04230	1		Auger Clutch Cable
44	784-5580	1		Slide Shoe
45	918-0123A	1	/P	RH Reduced Auger Housing
46	918-0124A	1	/P	LH Reduced Auger Housing
47	921-0338	1	/P	Oil Seal .75 x 1.0 x .125
48	741-0662	1		Flange Bearing .75 ID x 1.00 OD x .50
49	710-0642	1	/P	Thd Forming Scr. 1/4-20 x .75
51	914-0161	1	/P	Hi Pro Key 3/16 x 5/8
52	715-04021	1		Dowel Pin .25 OD x 1.2
53	917-04126	1	/P	Worm Shaft .75 OD
54	917-04861	1	/P	Worm Gear 20T (22", 24" & 26")
54	917-0528A	1	/P	Worm Gear 20T (28" & 30")
55	718-04071	1		Thrust Collar
56	721-0325	1		Plug, 1/4 x .437
57	721-0327	1		Oil Seal .75 x 1 x .131
58	936-0351	1	/P	Flat Washer .76 ID x 1.5 OD x .03
59	736-3084	1	/P	Fl. Washer .510 x 1.120 x .060
60	741-0663	1		Flange Bearing .75 ID x 1.0 OD x .925
61	736-0242	1	/P	Flat Washer .345 ID x .88 OD x .060

31AM53K2897 (2010)
Auger & Housing Assembly

Page 6 of 21

Ref #	Part Number	Qty	S/P/F	Description
62	N/A	1		Loctite Seal ant 5699
63	737-0168A	1	/P	Grease - Alvania EP Lead Free
64	731-05984A	1	/P	Reversible Slide Shoe (plas tic)
65	710-0451	1	/P	Carriage Bolt 5/16-18 x .75 (w/steel slide shoes)
66	731-06439	1		Small Reversible Slide Shoe (plas tic)
67	936-0159	1	/P	Flat Washer .349 ID x .879 OD x .063
68	684-04270-0606	1		Auger Housing - 24"
68	684-04271-0606	1		Auger Housing - 26"
68	684-04272-0606	1		Auger Housing - 28"
68	684-04273-0606	1		Auger Housing - 30"
69	790-00120-0606	1		Shave Plate - 24"
69	790-00121-0606	1		Shave Plate - 26"
69	790-00118-0606	1		Shave Plate - 28"
69	790-00119-0606	1		Shave Plate - 30"
70	918-04171B	1	/P	Gearbox Assy - 24"
70	711-04285	1		Auger Axle - 24"
70	918-04172B	1	/P	Gearbox Assy - 26"
70	711-04284	1		Auger Axle - 26"
70	918-04173A	1	/P	Gearbox Assy - 28"
70	711-04283	1		Auger Axle - 28"
70	918-04165A	1	/P	Gearbox Assy - 30"
70	711-04282	1		Auger Axle - 30"
71	731-04870	1		Spacer
	753-06206	1		Standard Polymer Reversible Shoe Kit (Will replace 731-06439, Incl. Hardware) Not shown
	753-06205	1		Deluxe Polymer Reversible Shoe Kit (Will replace 731-05984A, Incl. Hardware) Not shown



31AM53K2897 (2010)
Drive Assembly

Page 8 of 21

Ref #	Part Number	Qty	S/P/F	Description
1	710-1652	1	/P	Hex Wash Hd TT Scr. 1/4-20 x .625
2	731-06401	1		Belt Cover (w/277 cc - 357 cc engines)
2	731-05353	1		Belt Cover (w/208 cc engines)
3	732-04677	1		Cable Control Wire
4	711-1268B	1		Drive Shaft Actuator
5	746-04229	1		Drive Clutch Cable 44.83" Lg.
6	732-04345	1		Extension Spring .5 OD x 1.71 Lg.
7	790-00207B	1		Guide Bracket - Drive Cable
8	684-04156A	1		Shift Rod Ass'y
9	750-04474	1		Axle Support Tube
10	914-0126	1	/P	#9 HI-Pro Key 3/16 x 3/4 Dia HT
12	917-04210	1	/P	Gear, 56T
13	712-04063	1	/P	Flange Lock-Nut 5/16-18 Gr. F Nylon
14	941-0245	1	/P	Hex. Flange Bearing.751" ID
15	790-00206A-0637	1	/P	Guide Bracket - Auger Cable
16	756-0625	1		Cable Guide Roller
17	738-0924A	1	/P	Hex Shld.Scr.1/4-28 x .375
18A	618-04288	1		Dogg Assembly - LH
18B	618-04287	1		Dogg Assembly - RH
19	926-04012	1	/P	Push Nut
20	750-04477A	1		Spacer .340 x .750 x .360" Lg.
21	936-0329	1	/P	L-Wash 1/4 ID
22	732-04311	1		Torsion Spring .750 ID x .968" Lg.
23	731-05297	1		Spacer
24	916-0104	1	/P	Retaining Ring
25	736-0188	1	/P	Flat Washer .760 ID x 1.49 OD
26	736-0626	1		Flat Washer .580 x 1.125 x .080
27	741-04076	1		Ball Bearing
28	938-04180	1	/P	Axle
30	710-0654A	1	/P	Hex Wash HD Tap Scr 3/8-16 x .88
31	710-0788	1	/P	Hex Bolt 1/4-20 x 1.00
32	790-00185	1		Shaft Retainer - LH
34	736-0242	1	/P	Cupped Washer .345 ID x .88 OD x .060
35	738-04439	1		Shoulder Screw .50 x .145: 5/16-24
36	684-04154B	1		Friction Wheel Support Brkt Ass'y
37	790-00096-0637	1	/P	Auger Cable Guide Bracket
38	748-0190	1	/P	Spacer .513 ID x 1.0
39	738-04184A	1		Shoulder Screw .373 x .105:TT 1/4-20
40	790-00316-0606	1		Frame Cover
41	656-04055	1		Friction Wheel Disc Assembly
42	918-04322A	1	/P	Drive Shaft Assembly (w/o Friction Wheel Ass'y)
42A	711-04416A	1		Hex Drive Shaft (500)
42B	918-04284	1	/P	Planetary Carrier Ass'y
42C	717-1209A	1	/P	Gear 12T
42D	936-0502	1	/P	Flat Washer .58 x 1.12 x .02
42E	936-0336	1	/P	Flat Washer 5/8 ID x 1.0 OD
42F	717-1210A	1	/P	Gear 18T
42G	918-04285	1	/P	Ring Planetary Gear Ass'y (500)
42H	716-0194	1	/P	Retaining Ring 1.56 diam.
43	684-04159	1		Friction Wheel Assembly
43A	935-04054	1	/P	Friction Wheel Rubber

31AM53K2897 (2010)
Drive Assembly

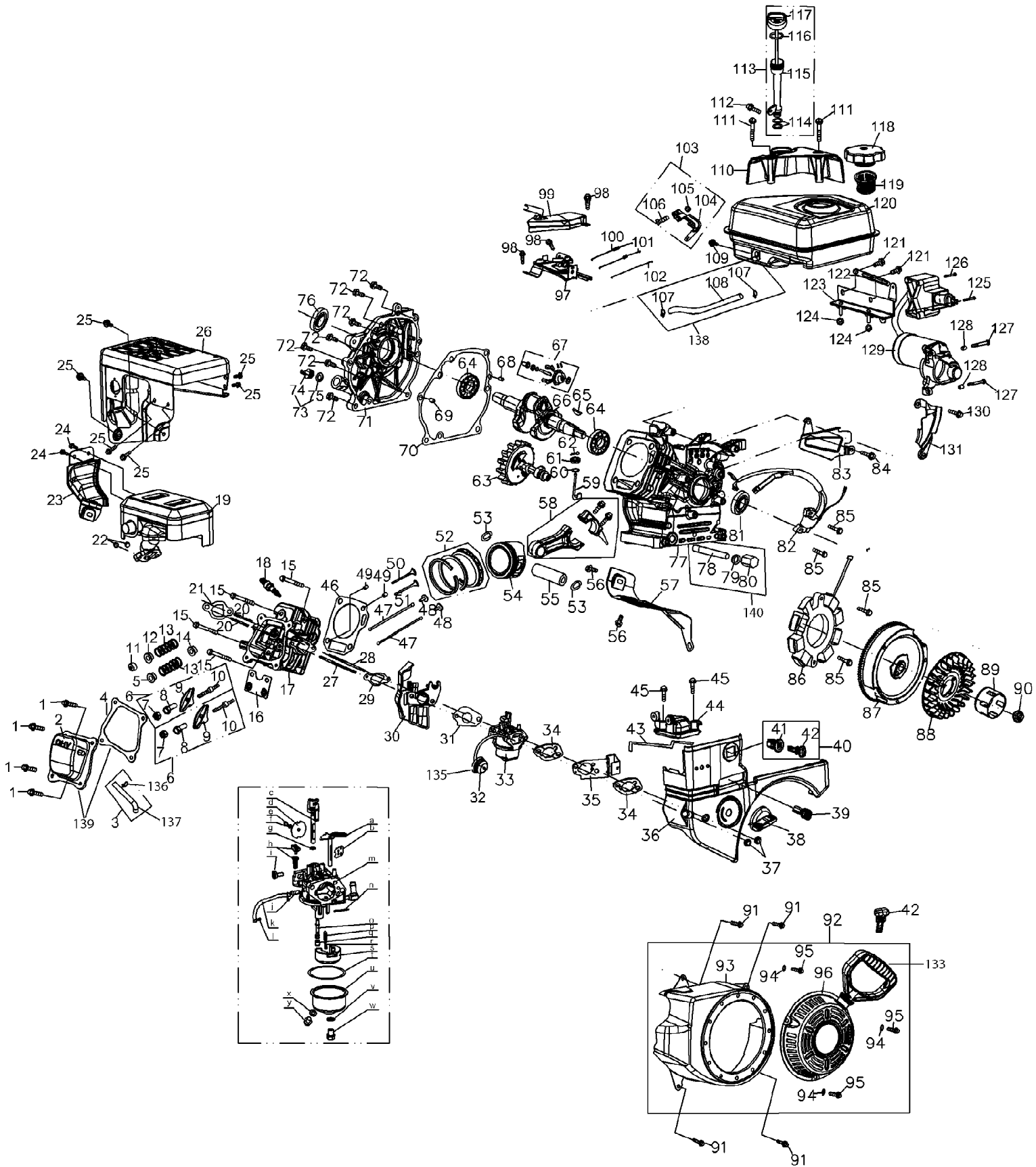
Page 9 of 21

Ref #	Part Number	Qty	S/P/F	Description
43B	790-00174	1		Friction Plate
44	716-0136	1		Retainer Ring
45	726-0221	1	/P	Cap Speed Nut 1/4 Rod
46	790-00183B-0606	1		Wheel Drive Frame
47	756-04109	1		Auger Pulley
48	736-0505	1		Flat Washer .34 x 1.50 x .150
49	710-1245B	1	/P	Hex Bolt 5/16-24 x 0.875
50	936-0119	1	/P	L-Wash 5/16 ID
51	790-00230	1		Bearing Sleeve
52	941-0919	1	/P	Ball Bearing 20 x 47 x 14:6204:DS
53	750-04571	1		Spacer
54	732-04308A	1	/P	Torsion Spring .850 ID x .354" Lg.
55	710-0672	1	/P	Hex HD. Cap Scr. 5/16-24 x 1.25 Lg.
56	756-04252	1		Pulley Half
57	954-04260	1	/P	Belt 3/8 x 34.13" Lg.(w/208 cc engines)
57	954-04201A	1	/P	Belt 3/8 x 35.68" Lg.(w/277cc - 357cc engines)
58	710-0809	1		Hex Bolt 1/4-20 x 1.25
59	790-00208C	1	/P	Wheel Drive Idler Bracket
60	748-04112B	1	/P	Shoulder Spacer
61	932-0264	1	/P	Extension Spring 3/8 OD x 2.50
62	712-0417A	1	/P	Jam L-Nut 5/8-18 Gr. 5 Nylon
63	750-04303	1		Spacer .875 ID x 1.185 OD
64	756-04113	1		Pulley Half
65	736-0247	1	/P	Flat Washer .40 ID x 1.25 OD x .160
66	710-0191	1	/P	Hex Screw 3/8-24 x 1.25
67	748-04053A	1	/P	Pulley Adapter
68	946-0956B	1	/P	Steering Cable
69	790-00186	1		Shaft Retainer - RH
70	750-0767	1		Axle Spacer
71	712-04065	1	/P	Flange Lock-Nut 3/8-16 Gr. F Nylon
72	954-04050	1	/P	Belt .5 x 35.0" Lg. (w/208 cc engines)
72	954-04195	1	/P	Belt .5 x 37.0" (w/277cc - 357cc engines)
73	710-0751	1	/P	Hex Bolt 1/4-20 x .62 Gr. 5
74	790-00217A-0637	1	/P	Pivot Bracket
75	790-00218A-0637	1	/P	Shift Bracket
76	712-04064	1	/P	Flange Lock-Nut 1/4-20 Gr. F Nylon
77	710-0896	1	/P	Hex Wash. Hd. TT Scr. 1/4-14 x .625
79	736-0320	1	/P	Flat Washer .38 x 1.38 x .125 (Rear left hole)
80	735-04100	1		Plug 1/2"
81	735-04099	1		Plug 3/8"
82	936-3015	1	/P	Flat Washer .469 x .875 x .105
83	790-00289A-0637	1	/P	Cover Plate (optional)
84	746-04230	1		Auger Clutch Cable 47.23" Lg.
85	710-04022	1		Hex. Hd. Cap Scr. M8-1.25:20 Gr. 8
86	936-0264	1	/P	Flat Washer .330 ID x .630 OD x .0635
87	634-04145-0911	1		X-Trac LH 16 x 4.8 x 8 26"
87	634-04146-0911	1		X-Trac RH 16 x 4.8 x 8 26"
87	734-2038-0901	1	/P	Tire Only 26" (not shown)
87	634-04173-0662	1	/P	Rim Only 26" (not shown)
87	634-04136-0911	1		X-Trac LH 16 x 6.5 x 8 28" & 30"
87	634-04137-0911	1		X-Trac RH 16 x 6.5 x 8 28" & 30"

31AM53K2897 (2010)
Drive Assembly

Page 10 of 21

Ref #	Part Number	Qty	S/P/F	Description
87	734-2031	1		Tire Only 28" & 30" (not shown)
87	634-04174-0662	1		Rim Only 28" & 30" (not shown)
87	634-04147A-0911	1		X-Trac LH 15 x 5 x 6 24"
87	634-04148A-0911	1		X-Trac RH 15 x 5 x 6 24"
87	734-04012-0901	1	/P	Tire Only 24" (not shown)
87	634-04172A-0662	1	/P	Rim Only 24" (not shown)
88	731-04873	1		Spacer All Models



31AM53K2897 (2010)
Engine Assembly 370-SUB 2010 & After

Page 12 of 21

Ref #	Part Number	Qty	S/P/F	Description
1	710-04968	1	/P	Bolt M6x16
2	951-11054	1	/P	Valve Cover
3	N/A	1		Breather Hose Furnish Components
4	951-11565	1	/P	Valve Cover Gasket Also Available in Kit Below
5	951-12000	1	/P	Retainer, In.Valve Spring Also Available in Kit Below
6	951-11892	1	/P	Rocker Arm Assembly
7	751-11124	1		Nut, Pivot Locking Also Available in Kit Below
8	751-11123	1		Adjusting Nut ,Valve Also Available in Kit Below
9	951-11893	1	/P	Rocker Arm Also Available in Kit Below
10	710-04902	1		Bolt, Pivot Also Available in Kit Below
11	951-12002	1	/P	Adjuster, Exh Valve Also Available in Kit Below
12	951-12003	1	/P	Retainer, Ex.Valve Spring Also Available in Kit Below
13	951-12004	1	/P	Valve Spring Also Available in Kit Below
14	951-11894	1	/P	Intake Valve Seal Also Available in Kit Below
15	710-04933	1		Bolt M8x55
16	951-11895	1	/P	Push Rod Guide Also Available in Kit Below
17	N/A	1		Cylinder Head Furnish Cylinder Head Kit
18	951-10292	1	/P	Spark Plug
19	951-11282	1	/P	Muffler Assembly
20	710-05001	1		Muffler Stud Assy
20	951-10657	1	/P	Muffler Stud M8x36
21	951-11289	1	/P	Muffler Gasket Also Available in Kit Below
22	712-04214	1		Nut, M8
23	951-11111	1	/P	Exhaust Pipe Shield
24	710-04940	1		Bolt M6x10
25	710-04915	1		Bolt M6x12
26	951-10642A	1	/P	Muffler Shield
27	710-04939	1		Stud M6x117
28	710-04910	1		Stud M6x105
29	951-11567	1	/P	Carburetor Insulator Gasket Also Available in Kit Below
30	951-11896	1	/P	Carburetor Insulator Plate Also Available in Kit Below
31	951-12005	1	/P	Carburetor Gasket Also Available in Kit Below
32	951-10639A	1	/P	Primer Assembly
33	951-10638A	1	/P	Carburetor Assembly
34	951-11897	1	/P	Carburetor Gasket Plate Also Available in Kit Below
35	951-11112	1	/P	Choke Control Brkt
36	951-10634	1	/P	Engine Shroud
37	712-04213	1	/P	Nut
38	951-11284	1	/P	Choke Knob
39	951-10757	1	/P	Throttle Control Knob
40	951-10637	1	/P	Primer Assembly

31AM53K2897 (2010)
Engine Assembly 370-SUB 2010 & After

Page 13 of 21

Ref #	Part Number	Qty	S/P/F	Description
41	N/A	1		Key Switch Base Furnish Assembly
42	731-05632	1		Key
43	951-10640	1	/P	Choke Push Rod
44	951-10635	1	/P	Air Filter Heating Pipe Cvr.
45	710-04919	1	/P	Bolt M6x25
46	951-11572	1	/P	Gasket, Cylinder Head Also Available in Kit Below
47	951-10648	1	/P	Push Rod Kit
48	951-11899	1	/P	Tappet Also Available in Kit Below
49	715-04090	1		Dowel Pin 10x16 Also Available in Kit Below
50	951-10647	1	/P	Exhaust Valve Also Available in Kit Below
51	951-10647	1	/P	Intake Valve Also Available in Kit Below
52	951-11253	1	/P	Piston Ring Set Also Available in Kit Below
53	951-11632	1	/P	Piston Pin Snap Ring Also Available in Kit Below
54	951-12053	1	/P	Piston Also Available in Kit Below
55	951-11633	1	/P	Piston Pin Also Available in Kit Below
56	710-04941	1		Bolt M6x12
57	951-11113	1	/P	Air Shield
58	951-11573	1	/P	Connecting Rod Assembly Also Available in Kit Below
59	951-11356	1	/P	Governor Arm Shaft Also Available in Kit Below
60	736-04461	1		Washer 5.2x1.9 Also Available in Kit Below
61	951-11902	1	/P	Governor Seal Also Available in Kit Below
62	714-04074	1		Cotter Pin Also Available in Kit Below
63	951-11575	1	/P	Camshaft Assy. Also Available in Kit Below
64	951-11369	1	/P	Radial Ball Bearing, 6205 Also Available in Kit Below
65	951-10307	1	/P	Woodruff Key Also Available in Kit Below
66	N/A	1		Crankshaft Assembly Also Available in Kit Below
67	951-11576	1	/P	Governor Gear/Shaft Assembly Also Available in Kit Below
68	715-04092	1		Dowel Pin 7x14 Also Available in Kit Below
69	715-04096	1		Dowel Pin 9x14 Also Available in Kit Below
70	951-11371	1	/P	Crankcase Cover Gasket Also Available in Kit Below
71	N/A	1		Cover Comp, Left Crankcase Also Available in Kit Below
72	710-04932	1		Bolt M8x32 Also Available in Kit Below
73	951-11283	1	/P	Oil Fill Plug Asm Also Available in Kit Below
74	N/A	1		Oil Filler Plug Furnish Assembly
75	951-11577	1	/P	O-Ring 15.8x2.5
76	951-11368	1	/P	Oil Seal, 25x41.25x6 Also Available in Kit Below
77	N/A	1		Crankcase Furnish Crankcase Kit
78	951-11350	1	/P	Oil Filler Plug Also Available in Kit Below

31AM53K2897 (2010)

Page 14 of 21

Engine Assembly 370-SUB 2010 & After

Ref #	Part Number	Qty	S/P/F	Description
79	736-04440	1	/P	Washer 10x16x1.5 Also Available in Kit Below
80	710-04906	1		Oil Drain Plug Bolt Also Available in Kit Below
81	951-11370	1	/P	Oil Seal 25x41.25x6 Also Available in Kit Below
82	951-10646	1	/P	Ignition Coil Assembly
83	951-11110	1	/P	Air Flow Shield
84	710-04940	1		Bolt M6x10
85	710-04919	1	/P	Bolt M6x25
86	751-12050	1	S	Stator
87	751-12051	1	S	Flywheel
88	951-10934	1	/P	Fan, Cooling
89	951-10911	1	/P	Starter Cup
90	712-04209	1	/P	Nut, Special, M14x1.5
91	710-04941	1		Bolt M6x12
92	N/A	1		Recoil Starter Furnish Components
93	951-11509	1	/P	Fan Cover - Blower Housing
94	736-04455	1		Washer
95	710-04974	1		Bolt M6x10
96	951-10658	1	/P	Recoil Starter
97	951-10758	1	/P	Throttle Control Asm
98	710-05103	1		Bolt M6x12
99	951-11108	1	/P	Governor Shield
100	951-11935	1	/P	Governor Spring
101	951-10664	1	/P	Throttle Return Spring
102	951-10665	1	/P	Governor Rod
103	N/A	1		Governor Arm Assembly Furnish Components
104	951-11106	1	/P	Governor Arm Brkt
105	712-04212	1	/P	Nut M6
106	710-04908	1		Governor Arm Bolt
107	951-11731	1	/P	Fuel Hose Clamp
108	N/A	1		Fuel Hose Furnish Assembly
109	710-04915	1		Bolt M6x12
110	951-11914	1	/P	Engine/Dipstick Cover
111	710-04905	1		Bolt
112	710-04915	1		Bolt M6x12
113	N/A	1		Dipstick Assembly Furnish Components
114	951-11903	1	/P	Oil Fill Tube O-Ring
115	951-11913	1	/P	Oil Fill Tube Assembly
116	951-11934	1	/P	Dipstick O-Ring
117	951-11912	1	/P	Dipstick Assembly
118	951-10649	1	/P	Fuel Cap Assembly
119	951-11933	1	/P	Fuel Level Indicator
120	951-10653B	1	/P	Fuel Tank Assembly
121	951-10651	1	/P	Fuel Tank Nipple
121	710-04940	1		Bolt M6x10
122	951-11680	1	/P	Flexible Clamp
123	951-11114	1	/P	Switch Housing Mounting Bracket
124	712-04212	1	/P	Nut, M6
125	710-04965	1		Bolt M4x55

31AM53K2897 (2010)
Engine Assembly 370-SUB 2010 & After

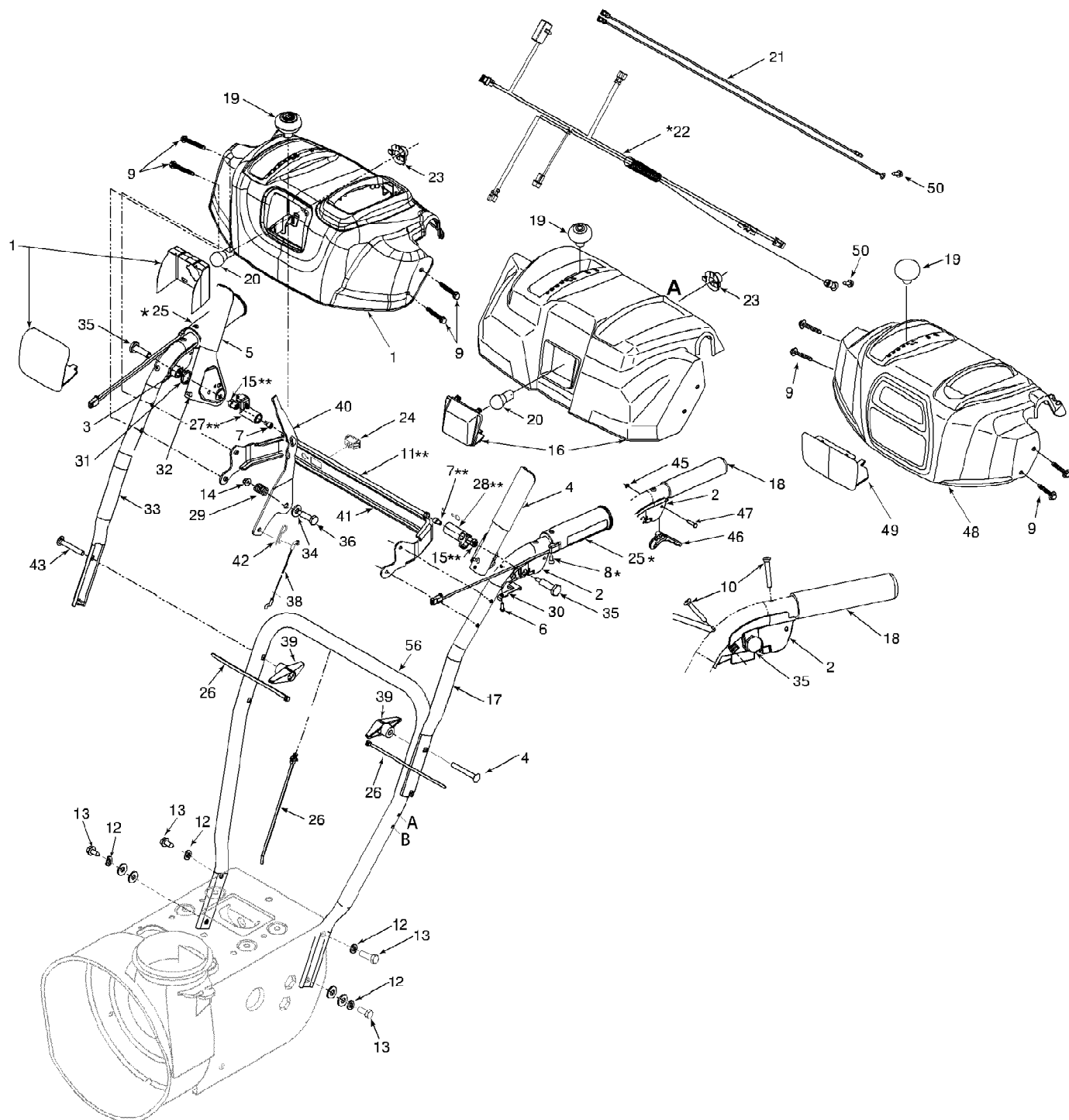
Page 15 of 21

Ref #	Part Number	Qty	S/P/F	Description
126	710-04935	1		Bolt M4x60
127	710-05182	1		Bolt M6x32
128	715-04088	1		Dowel Pin 8x8
129	951-10645A	1	/P	Electric Starter
130	710-04979	1		Bolt M6x18
131	951-11109	1	/P	Blower Housing Shield
133	731-05696	1		Starter Handle
135	951-11824	1	/P	Primer Bulb
136	726-04101	1		Clamp
137	731-07059	1		Hose
138	951-10650	1	/P	Fuel Line Kit
139	951-11063	1	/P	Valve Cover Kit
140	951-10641	1	/P	Oil Drain Assembly
a	N/A	1		Choke Shaft
b	N/A	1		Choke Plate
c	N/A	1		Throttle Shaft
d	N/A	1		Throttle Plate
e	N/A	1		Screw M3x5
f	N/A	1		Lock Washer
g	N/A	1		Gasket, Throttle Plate
h	N/A	1		Idle Jet Assembly
i	N/A	1		Idle Speed Adjusting Screw
j	N/A	1		Mixture Screw
k	951-12054	1	/P	Primer Hose
l	951-11906	1	/P	Hose Clamp
m	N/A	1		Carburetor Body
n	N/A	1		Float Pin
o	N/A	1		Emulsion Tube
p	N/A	1		Needle Valve
q	N/A	1		Main Jet
r	N/A	1		Needle Valve Spring
s	N/A	1		Float
t	951-11589	1	/P	Fuel Bowl Gasket
u	N/A	1		Fuel Bowl
v	951-11348	1	/P	Fuel Bowl Gasket
w	710-04945	1		Fuel Bowl Mounting Bolt
x	951-11349	1	/P	Fuel Drain Plug Gasket
y	710-04938	1	/P	Fuel Drain Plug
	951-11060A	1	/P	Short Block Assembly Incl. Ref No. 4,21,29,30,46,48,49,52-55,58-71,76-81, Not shown
	951-11059A	1	/P	Gasket Kit - Complete Incl. Ref No. 4,21,29-31,34,46,60,61,70,76,79 & 81, Not shown
	951-10661B	1	/P	Gasket Kit - External Incl. Ref No. 4,21,29-31,34 & 79, Not shown
	951-10668A	1	/P	Cylinder Head Assembly Incl. Ref No. 4,5,7-14,16,17,21,29,30,46,50 & 51, Not shown

31AM53K2897 (2010)
Engine Assembly 370-SUB 2010 & After

Page 16 of 21

Ref #	Part Number	Qty	S/P/F	Description
	951-11021	1	/P	Carburetor Repair Kit - Major Incl. Ref No. g,n,o,p,q,r,s,t,v & x, Not shown
	951-11246	1	/P	Crankcase Cover Kit Incl. Ref No. 64,70-76,76, Not shown
	951-11247A	1	/P	Crankshaft Kit Incl. Ref No. 64-66,76 & 81, Not shown
	951-11249	1	/P	Crankcase Kit Incl. Ref No. 61,64,76,77 & 81, Not shown
	952Z370-SUB-10	1	/P	Complete Engine Not shown



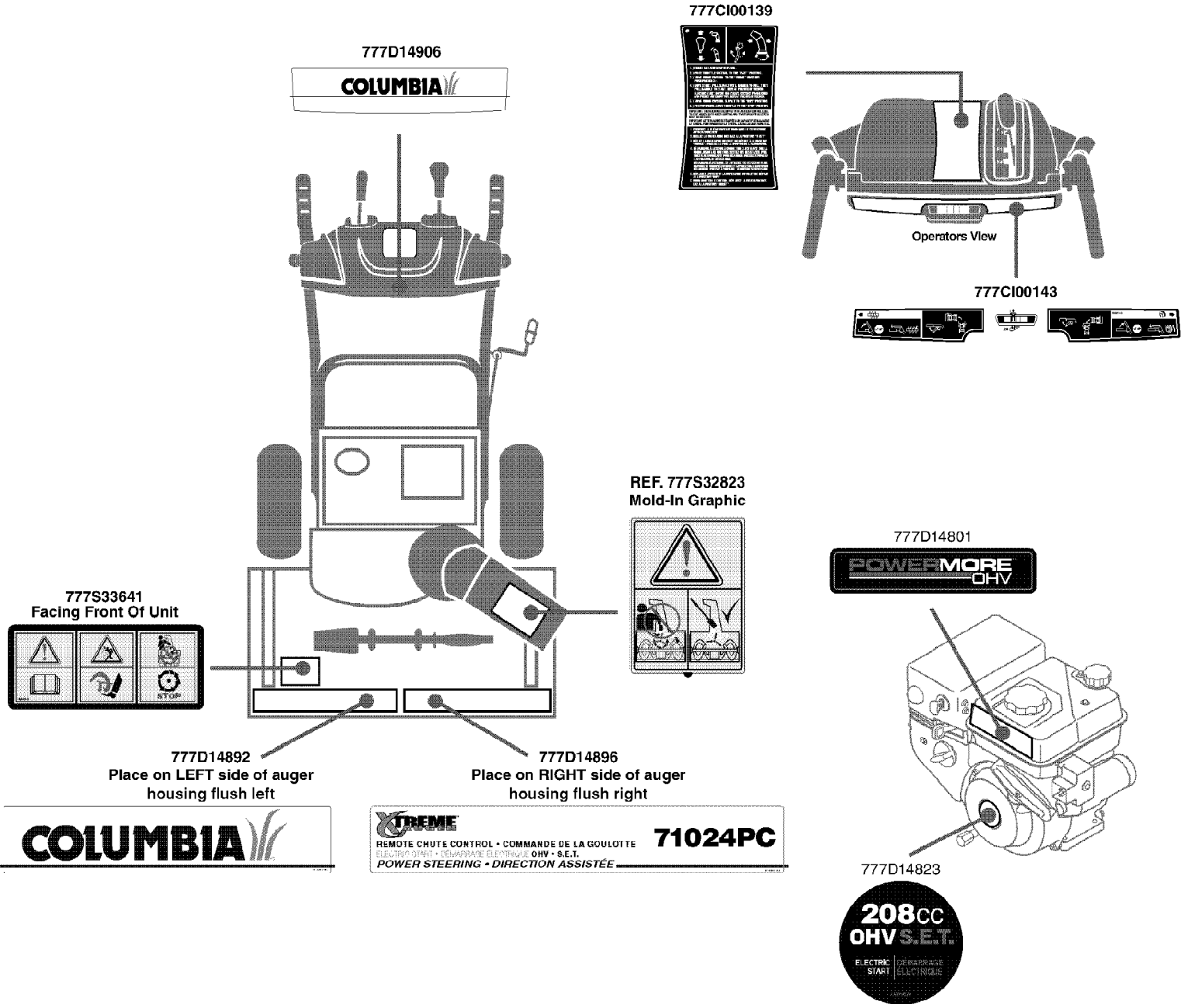
31AM53K2897 (2010)
Handle & Panel Assembly

Page 18 of 21

Ref #	Part Number	Qty	S/P/F	Description
1	931-04183	1	/P	Handle Panel Ass'y-Black w/Chute Control
2	631-04133A	1	/P	LH Clutch Lock Handle Ass'y
3	631-04134B	1		RH Clutch Lock Handle Ass'y
4	684-04105B	1	/P	Engagement Handle Assembly LH - Black
5	684-04106B	1	/P	Engagement Handle Assembly RH - Black
6	710-04326	1		Screw #8-16 x .50
7	710-3069	1	/P	Hex Cap Socket Screw 1/4-20 x .5
8	710-0837	1		Oval HD C-Sunk Scr #10 x 5/8
9	710-04586	1		Hex TT-Tap Scr 1/4-20 x 1.625
10	710-1233	1	/P	Oval C-Sunk Hd Screw 10-24 x 1.375
11	684-04250	1	/P	Pivot Rod
12	936-0119	1	/P	Lockwasher 5/16 ID
13	710-1880	1		Hex TT Screw 5/16-18 x .75 Gr. 5 Patch
14	712-04064	1	/P	Hex L-Flanged Nut 1/4-20 Gr. F Nylon
15	712-04081A	1		Hex Shoulder Nut 1/4-20
15	712-04064	1	/P	Hex L-Flg Nut 1/4-20 Gr. F Nylon
16	N/A	1		Handle Panel Ass'y Not used in this application
17	749-04191A	1		Upper Handle LH
18	720-0274	1	/P	Grip
19	720-04039	1		Shift Knob
20	725-1629	1		Lamp
21	925-04137	1	/P	Wire Harness
22	725-05148	1		Heated Grip Wire Harness
23	925-1649	1	/P	Socket
24	725-04393	1		Switch
25	725-05149	1		Heated Grip
26	926-0154	1	/P	Cable Tie (w/plug)
26	725-0157	1	/P	Cable Tie (w/heated grips)
27	731-04894D	1	/P	Lock Plate
28	731-04896B	1	/P	Clutch Lock Cam
29	732-0193	1	/P	Compression Spring .38 ID x .88 Lg
30	732-04219C	1	/P	Spring: Clutch Lock
31	732-04238	1		Torsion Spring .8156 x .3038
32	935-0199A	1	/P	Rubber Bumper
33	749-04190A	1	/P	Upper Handle RH
34	936-0267	1	/P	Flat Washer .38 ID x .87 OD x .09
35	738-04348	1	/P	Shoulder Screw .437 x 1.345: 1/4-20
36	738-04125	1		Shoulder Screw .374 Dia. x 1.05 Lg.
37	936-0275	1	/P	Flat Washer .344 ID x .688 OD x .065
38	946-04396A	1	/P	Selector Speed Cable
39	720-04072A	1	/P	Handle Knob Assembly
40	790-00311A	1		Shift Lever
41	790-00248B-0637	1	/P	Panel Support
42	914-0145	1	/P	Cotter Pin
43	710-0572	1	/P	Carriage Bolt 5/16-18 x 2.25
44	749-04138A	1	/P	Lower Handle
45	716-04036	1		E Ring
46	731-04913	1		Steering Control - Black
46	731-04954	1		Steering Control - Yellow
47	738-04126	1		Pin 3/16
48	N/A	1		Handle Panel Ass'y - Red (w/lens)

31AM53K2897 (2010)
Handle & Panel Assembly

Ref #	Part Number	Qty	S/P/F	Description
49	731-05324	1		Lens
50	710-0599	1	/P	Hex Wash S-Tapp Scr 1/4-20 x .50



31AM53K2897 (2010)
Label Map 71024PC

Page 21 of 21

Ref #	Part Number	Qty	S/P/F	Description
777D14906	777D14906	1		LABEL-SNOW PANEL LH
777S33641	777S33641	1		LBL-AUGR HSG SAFETY PICTORIAL
777D14892	777D14892	1		LABEL-SNOW AUGER LH 24" COLUMBIA
777D14896	777D14896	1		LBL:SNOW:AUG RT 71024PC
777D14823	777D14823	1		LBL:SNOW/ENG/SPN:208/ES:CAN
777D14801	777D14801	1		LBL-POWERMORE ENG
777S32823	777S32823	1		LBL:SNW:CHUTE:EXP Mold In
777CI00143	777CI00143	1		LABEL-SNOW CONTROL PANEL STYLE 0
777CI00139	777CI00139	1		LABEL-SNOW CONTROL PANEL