

31AM2P5B897 (2009)  
Drive Assembly

Page 2 of 18

Ref #	Part Number	Qty	S/P/F	Description
1	710-04373A	1		Hi-Lo Screw #12-16 x .75
2	790-00335-0637	1	/P	Electric Start Support Bracket
3	710-0599	1	/P	Hex Tap Scr. 1/4-14 x .5" Lg.
4	710-1810	1		Hex Hd. Cap Screw 3/8-24 x 1.75
5	736-0247	1	/P	Flat Washer .406 x 1.25 x .157
6	756-04353A	1		Pulley Half 4L-V x 2.30 OD
7	954-04204	1	/P	V-Belt
8	750-04303	1		Spacer .875 ID x 1.185 OD
9	750-05084	1		Spacer .88 ID x 1.18 OD x .74" Lg.
10	756-04232	1		V-Pulley 1/2 x 6,0" OD
11	710-0409	1	/P	Hex Bolt 5/16-24 x 1.75
12	936-0119	1	/P	Lockwasher 5/16
13	926-0154	1	/P	Push Mount Tie
14	790-00334-0637	1	/P	Engine Support Bracket
15	710-0654A	1	/P	Hex Wash HD Tap Scr 3/8-16 x .88
16	750-04297B	1		Spacer .875 x .320 x 1.10
17	710-0896	1	/P	Hex B-Tap Scr 1/4-28 x .25" Lg
18	710-0653	1	/P	Hex Wash HD Tapp Scr 1/4-20 x .375
19	790-00045C-0606	1		Belt Cover
20	710-0106	1	/P	Hex Screw 1/4-20 x 1.25 Gr. 5
21	750-04571	1		Shoulder Spacer
22	684-04168	1		Idler Pulley (1/4" hole)
23	712-04063	1	/P	Flange Locknut 5/16-18 Gr. F, Nylon
24	748-0234	1	/P	Shoulder Spacer .25 Thk.
25	790-00238A-0637	1	/P	Idler Bracket
26	712-04064	1	/P	Flange Locknut 1/4-20 Gr. F, Nylon
27	790-00249-0637	1	/P	Bearing Cup
28	741-04188A	1		Ball Bearing .625 x 37 x 12.63
29	710-0642	1	/P	Thd Form ing Scr. 1/4-20 x .75 Lg.
30	936-0329	1	/P	L-Wash 1/4 ID
31	738-0924A	1	/P	Hex Shld.Scr.1/4-28 x .375
32	756-0625	1		Cable Guide Roller
33	936-0176	1	/P	Flat Washer .25 ID x .93 OD x .125
34	712-0896	1		Hex Ins Jam L-Nut 1/4-28
35	932-0357A	1	/P	Extension Spring .33 OD x 1.12 Lg.
36	984-04253-0637	1	/P	Auger Assembly
37	710-0896	1	/P	Hex B-Tap Scr 1/4-28 x .25" Lg
38	735-04033	1		Rubber Paddle
39	735-04032	1		Rubber Spiral-Crescent
40	750-04758	1		Auger Spacer RH
41	750-04757	1		Auger Spacer LH
42	726-0299	1	/P	Push Cap x 1/2" Rod
43	684-04314-0606	1		Auger Housing
44	734-2010A	1	/P	Wheel, 9 x 2.125 dia. Lug
45	936-0326	1	/P	Flat Washer .510 ID x 1.0 OD x .125
46	734-04070	1	/P	Wheel, 7.0 x 1.61
47	729-04035	1		Alternator Cap (optional)
48	936-0160	1	/P	Flat Washer .53 ID x .93 OD x .050
49	731-07001	1		Hub Cap Grey



31AM2P5B897 (2009)  
Engine Assembly

Page 4 of 18

Ref #	Part Number	Qty	S/P/F	Description
1	951-11012	1		Bolt
2	951-11054	1	/P	Valve Cover
2	951-11054	1	/P	Valve Cover Furnish 951-11063, Valve Cover Kit
3	731-07059	1		Breather Hose
4	726-04101	1		Hose Clamp
5	N/A	1		Head Cover Gasket Furnish 951-11060A, Short Block Assembly
5	N/A	1		Head Cover Gasket Furnish 951-10661B, Gasket Kit External
5	N/A	1		Head Cover Gasket Furnish 951-10668A, Cylinder Head Assembly
5	N/A	1		Head Cover Gasket Furnish 951-11059A, Gasket Kit Complete
5	N/A	1		Head Cover Gasket Furnish 951-11063, Valve Cover Kit
6	N/A	1		Intake Valve Spring Seat Furnish 951-10668A, Cylinder Head Assembly
7	751-11124	1		Pivot Locking Nut
7	751-11124	1		Pivot Locking Nut Furnish 951-10668A, Cylinder Head Assembly
8	751-11123	1		Valve Adjusting Nut
8	751-11123	1		Valve Adjusting Nut Furnish 951-10668A, Cylinder Head Assembly
9	N/A	1		Rocker Arm Furnish 951-10668A, Cylinder Head Assembly
10	710-04902	1		Pivot Bolt
10	710-04902	1		Pivot Bolt Furnish 951-10668A, Cylinder Head Assembly
11	N/A	1		Exhaust Valve Adjuster Furnish 951-10668A, Cylinder Head Assembly
12	N/A	1		Exhaust Valve Spring Seat Furnish 951-10668A, Cylinder Head Assembly
13	N/A	1		Valve Spring Furnish 951-10668A, Cylinder Head Assembly
14	N/A	1		Intake Valve Seal Furnish 951-10668A, Cylinder Head Assembly
15	710-04933	1		Bolt
16	N/A	1		Push Rod Guide Plate Furnish 951-10668A, Cylinder Head Assembly
17	N/A	1		Cylinder Head - Complete Furnish 951-10668A, Cylinder Head Assembly
18	951-10292	1	/P	Spark Plug
19	951-11282	1	/P	Muffler Assembly

31AM2P5B897 (2009)  
Engine Assembly

Page 5 of 18

Ref #	Part Number	Qty	S/P/F	Description
20	710-05001	1		Stud
20	710-05001	1		Stud Furnish 951-10657, Muffler Stud Assembly
21	951-11289	1	/P	Muffler Gasket
21	951-11289	1	/P	Muffler Gasket Furnish 951-11060A, Short Block Assembly
21	951-11289	1	/P	Muffler Gasket Furnish 951-10661B, Gasket Kit External
21	951-11289	1	/P	Muffler Gasket Furnish 951-10668A, Cylinder Head Assembly
21	951-11289	1	/P	Muffler Gasket Furnish 951-11059A, Gasket Kit Complete
22	712-04214	1		Nut
23	710-05002	1		Bolt
24	951-11111	1	/P	Exhaust Pipe Shield
25	710-04940	1		Bolt
26	710-04915	1		Bolt
27	951-10642A	1	/P	Muffler Shroud
28	710-04939	1		Stud, M6 x117
29	710-04910	1		Stud, M6 x 105
30	N/A	1		Carburetor Insulator Gasket Furnish 951-11060A, Short Block Assembly
30	N/A	1		Carburetor Insulator Gasket Furnish 951-10661B, Gasket Kit External
30	N/A	1		Carburetor Insulator Gasket Furnish 951-10668A, Cylinder Head Assembly
30	N/A	1		Carburetor Insulator Gasket Furnish 951-11059A, Gasket Kit Complete
31	N/A	1		Carburetor Insulator Plate Furnish 951-11060A, Short Block Assembly
31	N/A	1		Carburetor Insulator Plate Furnish 951-10661B, Gasket Kit External
31	N/A	1		Carburetor Insulator Plate Furnish 951-10668A, Cylinder Head Assembly
31	N/A	1		Carburetor Insulator Plate Furnish 951-11059A, Gasket Kit Complete
32	N/A	1		Carburetor Gasket Furnish 951-10661B, Gasket Kit External
32	N/A	1		Carburetor Gasket Furnish 951-11059A, Gasket Kit Complete
33	951-10638	1	S	Carburetor Assembly Incl. Ref. No. 130-143, 146-154
34	N/A	1		Carburetor Gasket Plate Furnish 951-10661B, Gasket Kit External

31AM2P5B897 (2009)  
Engine Assembly

Page 6 of 18

Ref #	Part Number	Qty	S/P/F	Description
34	N/A	1		Carburetor Gasket Plate Furnish 951-11059A, Gasket Kit Complete
35	951-11112	1	/P	Choke Control Bracket
36	951-10634	1	/P	Engine Shroud
37	712-04213	1	/P	Nut
38	951-11284	1	/P	Choke Knob
39	951-10757	1	/P	Throttle Control Knob
40	951-10637	1	/P	Ignition Switch
43	951-10640	1	/P	Choke Push Rod
44	951-10635	1	/P	Heater Box
45	710-04919	1	/P	Bolt
46	N/A	1		Cylinder Head Gasket Furnish 951-11060A, Short Block Assembly
46	N/A	1		Cylinder Head Gasket Furnish 951-10668A, Cylinder Head Assembly
46	N/A	1		Cylinder Head Gasket Furnish 951-11059A, Gasket Kit Complete
47	951-10648	1	/P	Push Rod Kit (incl. intake and exhaust rod)
48	N/A	1		Tappet Furnish 951-11060A, Short Block Assembly
49	715-04090	1		Dowel Pin
49	715-04090	1		Dowel Pin Furnish 951-11060A, Short Block Assembly
52	N/A	1		Piston Ring Set Furnish 951-11060A, Short Block Assembly
53	N/A	1		Piston Pin Snap Ring Furnish 951-11060A, Short Block Assembly
54	N/A	1		Piston Furnish 951-11060A, Short Block Assembly
55	N/A	1		Piston Pin Furnish 951-11060A, Short Block Assembly
56	951-11283	1	/P	Oil Fill Plug Assembly Incl. Ref. No. 73 & 74
57	951-11113	1	/P	Air Shield
58	N/A	1		Connecting Rod Assembly Furnish 951-11060A, Short Block Assembly
59	951-11356	1	/P	Governor Arm Shaft
59	951-11356	1	/P	Governor Arm Shaft Furnish 951-11060A, Short Block Assembly
60	736-04461	1		Washer
60	736-04461	1		Washer Furnish 951-11060A, Short Block Assembly
60	736-04461	1		Washer Furnish 951-11059A, Gasket Kit Complete
61	N/A	1		Governor Seal Furnish 951-11060A, Short Block Assembly

31AM2P5B897 (2009)  
Engine Assembly

Page 7 of 18

Ref #	Part Number	Qty	S/P/F	Description
61	N/A	1		Governor Seal Furnish 951-11249, Crankcase Kit
61	N/A	1		Governor Seal Furnish 951-11059A, Gasket Kit Complete
62	714-04078	1		Cotter Pin
62	714-04078	1		Cotter Pin Furnish 951-11060A, Short Block Assembly
62	714-04078	1		Cotter Pin Furnish 951-11059A, Gasket Kit Complete
63	N/A	1		Camshaft Assembly Furnish 951-11060A, Short Block Assembly
64	951-11369	1	/P	Radial Ball Bearing
64	951-11369	1	/P	Radial Ball Bearing Furnish 951-11060A, Short Block Assembly
64	951-11369	1	/P	Radial Ball Bearing Furnish 951-11246, Crankcase Cover Kit
64	951-11369	1	/P	Radial Ball Bearing Furnish 951-11247, Crankshaft Kit
64	951-11369	1	/P	Radial Ball Bearing Furnish 951-11249, Crankcase Kit
65	951-10307	1	/P	Flywheel Key
65	951-10307	1	/P	Flywheel Key Furnish 951-11060A, Short Block Assembly
65	951-10307	1	/P	Flywheel Key Furnish 951-11247, Crankshaft Kit
66	N/A	1		Crankshaft Assembly Furnish 951-11060A, Short Block Assembly
66	N/A	1		Crankshaft Assembly Furnish 951-11247, Crankshaft Kit
67	N/A	1		Governor Gear/Shaft Assembly Furnish 951-11060A, Short Block Assembly
68	715-04092	1		Dowel Pin, 7 x 14
68	715-04092	1		Dowel Pin, 7 x 14 Furnish 951-11060A, Short Block Assembly
69	715-04089	1		Dowel Pin, 9 x 14
69	715-04089	1		Dowel Pin, 9 x 14 Furnish 951-11060A, Short Block Assembly
70	951-11371	1	/P	Crankcase Cover Gasket
70	951-11371	1	/P	Crankcase Cover Gasket Furnish 951-11060A, Short Block Assembly
70	951-11371	1	/P	Crankcase Cover Gasket Furnish 951-11246, Crankcase Cover Kit

31AM2P5B897 (2009)  
Engine Assembly

Page 8 of 18

Ref #	Part Number	Qty	S/P/F	Description
70	951-11371	1	/P	Crankcase Cover Gasket Furnish 951-11249, Crankcase Kit
70	951-11371	1	/P	Crankcase Cover Gasket Furnish 951-11059A, Gasket Kit Complete
71	N/A	1		Case Cover Furnish 951-11060A, Short Block Assembly
71	N/A	1		Case Cover Furnish 951-11246, Crankcase Cover Kit
72	710-04932	1		Bolt
72	710-04932	1		Bolt Furnish 951-11060A, Short Block Assembly
72	N/A	1		Cover Bolts Furnish 951-11246, Crankcase Cover Kit
73	N/A	1		O-Ring Furnish 951-11283, Oil Fill Plug Assembly
73	N/A	1		O-Ring Furnish 951-11060A, Short Block Assembly
73	N/A	1		O-Ring Furnish 951-11246, Crankcase Cover Kit
74	N/A	1		Oil Fill Plug Furnish 951-11283, Oil Fill Plug Assembly
74	N/A	1		Oil Fill Plug Furnish 951-11060A, Short Block Assembly
74	N/A	1		Oil Fill Plug Furnish 951-11246, Crankcase Cover Kit
75	951-11368	1	/P	Oil Seal
75	951-11368	1	/P	Oil Seal Furnish 951-11060A, Short Block Assembly
75	951-11368	1	/P	Oil Seal Furnish 951-11246, Crankcase Cover Kit
75	951-11368	1	/P	Oil Seal Furnish 951-11247, Crankshaft Kit
75	951-11368	1	/P	Oil Seal Furnish 951-11059A, Gasket Kit Complete
76	N/A	1		Crankcase Furnish 951-11060A, Short Block Assembly
76	N/A	1		Crankcase Furnish 951-11249, Crankcase Kit
77	N/A	1		Oil Drain Pipe Furnish 951-11060A, Short Block Assembly
78	736-04440	1	/P	Washer
78	736-04440	1	/P	Washer Furnish 951-11060A, Short Block Assembly
78	736-04440	1	/P	Washer Furnish 951-10661B, Gasket Kit External



31AM2P5B897 (2009)  
Engine Assembly

Page 9 of 18

Ref #	Part Number	Qty	S/P/F	Description
78	736-04440	1	/P	Washer Furnish 951-11059A, Gasket Kit Complete
79	N/A	1		Oil Drain Plug Washer Furnish 951-11060A, Short Block Assembly
80	951-11370	1	/P	Oil Seal
80	951-11370	1	/P	Oil Seal Furnish 951-11060A, Short Block Assembly
80	951-11370	1	/P	Oil Seal Furnish 951-11247, Crankshaft Kit
80	951-11370	1	/P	Oil Seal Furnish 951-11249, Crankcase Kit
80	951-11370	1	/P	Oil Seal Furnish 951-11059A, Gasket Kit Complete
81	951-10646	1	/P	Ignition Coil
82	951-11110	1	/P	Air Flow Shield
83	951-10650	1	/P	Fuel Line Kit (incl. clamps and fuel line)
84	951-10641	1	/P	Oil Drain Assembly, includes 77, 78, 79
85	951-10719	1	/P	Stator
86	951-10805	1	/P	Flywheel
87	951-10909	1	/P	Cooling Fan
88	951-10911	1	/P	Starter Cup
89	712-04209	1	/P	Nut
90	951-10647	1	/P	Valve Kit (incl. intake and exhaust valve)
90	951-10647	1	/P	Valve Kit Furnish 951-10668A, Cylinder Head Assembly
92	951-10663A	1	/P	Blower Housing
93	736-04455	1		Washer
94	710-04914	1		Bolt
95	951-10658	1	/P	Recoil Starter Assembly
96	731-05632	1		Key Ignition Key
97	951-10758	1	/P	Throttle Control Assembly
98	710-04928	1		Bolt
99	951-11108	1	/P	Governor Shield
100	951-10654	1	/P	Governor Spring
101	951-10664	1	/P	Throttle Return Spring
102	951-10665	1	/P	Governor Rod
104	712-04216	1		Nut
105	710-04929	1		Bolt
109	951-10662	1	/P	Engine/Dipstick Cover
110	710-04905	1		Bolt
113	951-10656	1	/P	Dipstick Tube, incl. Ref. 156
115	951-10655	1	/P	Dipstick
117	951-10649	1	/P	Fuel Cap Assembly
118	951-10652	1	/P	Fuel Filter
119	951-10653A	1	/P	Fuel Tank
121	951-11114	1	/P	Switch Housing Mounting Bracket
122	712-04212	1	/P	Nut
123	710-04934	1		Bolt, M4 x 55
124	710-04935	1		Bolt, M4 x 60
125	710-04943	1		Bolt
126	715-04088	1		Dowel Pin
127	951-10645A	1	/P	Electric Starter

31AM2P5B897 (2009)  
Engine Assembly

Page 10 of 18

Ref #	Part Number	Qty	S/P/F	Description
128	710-05003	1		Bolt
129	951-11109	1	/P	Blower Housing Shield
130	951-10639	1	S	Primer
130	951-10639	1	S	Primer Furnish 951-10638, Carburetor Assembly
131	710-04945	1		Bolt
131	710-04945	1		Bolt Furnish 951-10638, Carburetor Assembly
132	710-04938	1	/P	Drain Bolt
132	710-04938	1	/P	Drain Bolt Furnish 951-10638, Carburetor Assembly
133	N/A	1		Gasket, Throttle Plate Furnish 951-10638, Carburetor Assembly
133	N/A	1		Gasket, Throttle Plate Furnish 951-11021, Carburetor Kit Major
134	N/A	1		Float Pin Furnish 951-10638, Carburetor Assembly
134	N/A	1		Float Pin Furnish 951-11021, Carburetor Kit Major
135	N/A	1		Emulsion Tube Furnish 951-10638, Carburetor Assembly
135	N/A	1		Emulsion Tube Furnish 951-11021, Carburetor Kit Major
136	N/A	1		Needle Valve Furnish 951-10638, Carburetor Assembly
136	N/A	1		Needle Valve Furnish 951-11021, Carburetor Kit Major
137	N/A	1		Main Jet Furnish 951-10638, Carburetor Assembly
137	N/A	1		Main Jet Furnish 951-11021, Carburetor Kit Major
138	N/A	1		Needle Valve Spring Furnish 951-10638, Carburetor Assembly
138	N/A	1		Needle Valve Spring Furnish 951-11021, Carburetor Kit Major
139	N/A	1		Float Furnish 951-10638, Carburetor Assembly
139	N/A	1		Float Furnish 951-11021, Carburetor Kit Major
140	N/A	1		Fuel Bowl Gasket Furnish 951-10638, Carburetor Assembly
140	N/A	1		Fuel Bowl Gasket Furnish 951-11021, Carburetor Kit Major

31AM2P5B897 (2009)  
Engine Assembly

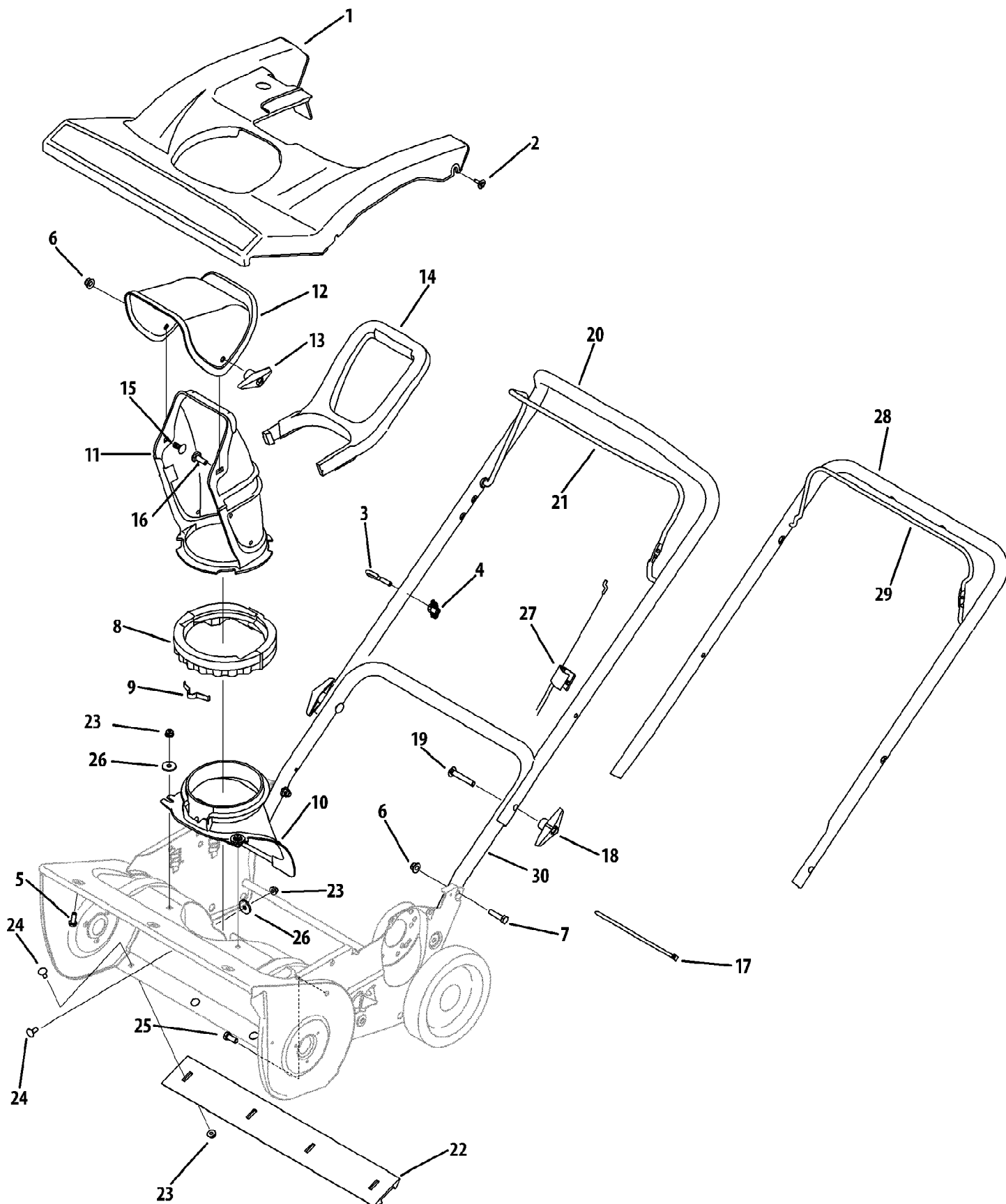
Page 11 of 18

Ref #	Part Number	Qty	S/P/F	Description
141	N/A	1		Fuel Drain Plug Gasket Furnish 951-10638, Carburetor Assembly
141	N/A	1		Fuel Drain Plug Gasket Furnish 951-11021, Carburetor Kit Major
142	N/A	1		Fuel Bowl Gasket Furnish 951-10638, Carburetor Assembly
142	N/A	1		Fuel Bowl Gasket Furnish 951-11021, Carburetor Kit Major
143	731-05696	1		Starter Handle
145	951-10657	1	/P	Muffler Stud Assembly Incl. Ref. No. 20
146	N/A	1		Choke Shaft Furnish 951-10638, Carburetor Assembly
147	N/A	1		Choke Plate Furnish 951-10638, Carburetor Assembly
148	N/A	1		Throttle Shaft Furnish 951-10638, Carburetor Assembly
149	N/A	1		Throttle Plate Furnish 951-10638, Carburetor Assembly
150	N/A	1		Screw, M3x5 Furnish 951-10638, Carburetor Assembly
151	N/A	1		Lock Washer Furnish 951-10638, Carburetor Assembly
152	N/A	1		Idle Jet Assembly Furnish 951-10638, Carburetor Assembly
153	N/A	1		Idle Speed Adjusting Screw Furnish 951-10638, Carburetor Assembly
154	N/A	1		Fuel Bowl Furnish 951-10638, Carburetor Assembly
155	951-11106	1	/P	Governor Arm Bracket
156	951-11380	1	/P	O-Ring
	951-10651	1	/P	Fuel Tank Nipple (Not Shown)
	951-10661B	1	/P	Gasket Kit, External (Not Shown) Incl. Ref. No. 5, 21, 30-32, 34 & 78
	951-10668A	1	/P	Cylinder Head Assembly (Not Shown) Incl. Ref. No. 5-14, 16, 17, 21, 30, 31, 46 & 90
	951-11021	1	/P	Carburetor Repair Kit, Major (Not Shown) Incl. Ref. No. 133-142
	951-11059A	1	/P	Gasket Kit, Complete (Not Shown) Incl. Ref. No. 5, 21, 30-32, 34, 46, 60-62, 70, 75, 78 & 80
	951-11060A	1	/P	Short Block Assembly (Not Shown) Incl. Ref. No. 5, 21, 30, 31, 46, 48, 49, 52-55, 58-80

31AM2P5B897 (2009)  
Engine Assembly

Page 12 of 18

Ref #	Part Number	Qty	S/P/F	Description
	951-11063	1	/P	Valve Cover Kit (Not Shown) Incl. Ref. No. 2 & 5
	951-11176	1	/P	Starter Pinion Shaft (Not Shown)
	951-11246	1	/P	Crankcase Cover Kit (Not Shown) Incl. Ref. No. 64, 70-75
	951-11247	1	/P	Crankshaft Kit (Not Shown) Incl. Ref. No. 64-66, 75 & 80
	951-11249	1	/P	Crankcase Kit (Not Shown) Incl. Ref. No. 61, 64, 70, 76 & 80
	952Z370-SUB	1	/P	Engine, Complete (Not Shown)

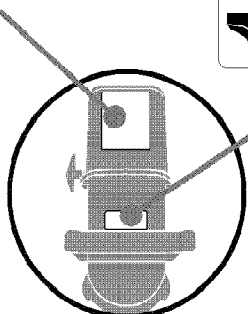
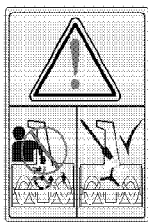


31AM2P5B897 (2009)  
General Assembly

Page 14 of 18

Ref #	Part Number	Qty	S/P/F	Description
1	731-06452	1		Shroud Ass'y (Models w/electric start)
2	710-04669	1		Hex Wash B-Tapp Scr #10 x .62" Lg.
3	710-1205	1	/P	Eyebolt 1/4-20
4	720-0279	1	/P	Handle Knob Assembly
5	710-0895	1		Hex Tapp Scr 1/4 x .75" Lg.
6	712-04063	1	/P	Flange Locknut 5/16-18 Gr. F, Nylon
7	710-1090	1	/P	Hex Flg. Screw 5/16-18 x 1.25
8	931-04353	1	/P	Lower Chute Ring
9	932-04111	1	/P	Chute Adjustment Spring
10	931-04886	1	/P	Chute Adapter 5" Dia
11	931-04127	1	/P	Lower Chute 5" Dia
12	731-04354B	1	/P	Upper Chute
13	720-04072A	1	/P	Handle Knob Assembly
14	731-04388A	1		Chute Handle
15	710-0451	1	/P	Carriage Bolt 5/16-18 x .75
16	710-04071	1		Carriage Screw 5/16-18 x 1.0
17	725-0157	1	/P	Cable Tie
18	720-04072A	1	/P	Handle Knob Assembly
19	710-04532	1		Carriage Bolt 5/16-18 x 2.0 Gr. 5
20	749-04106A-0637	1		Gullwing Handle
21	747-04159A-0637	1	/P	Control Bail
22	731-1033	1	/P	Shave Plate
23	712-04064	1	/P	Hex L-Flanged Nut 1/4-20 Gr. F Nylon
24	710-0134	1	/P	Carriage Bolt 1/4-20 x .62
25	710-3008	1	/P	Hex Screw 5/16-18 x .75
26	936-0176	1	/P	Flat Washer .25 ID x .93 OD x .125
27	746-04237	1		Control Cable
28	749-04459-0637	1	/P	Upper Handle
29	747-04165-0637	1	/P	Control Bail
30	749-04114B-0637	1	/P	Lower Handle

REF. 777S32823  
Mold-in Graphic



Operators View

777I22358  
Back Of Chute  
Facing Operator



777X43293  
Place Label Over Electric  
Start Label Applied by Zongshen



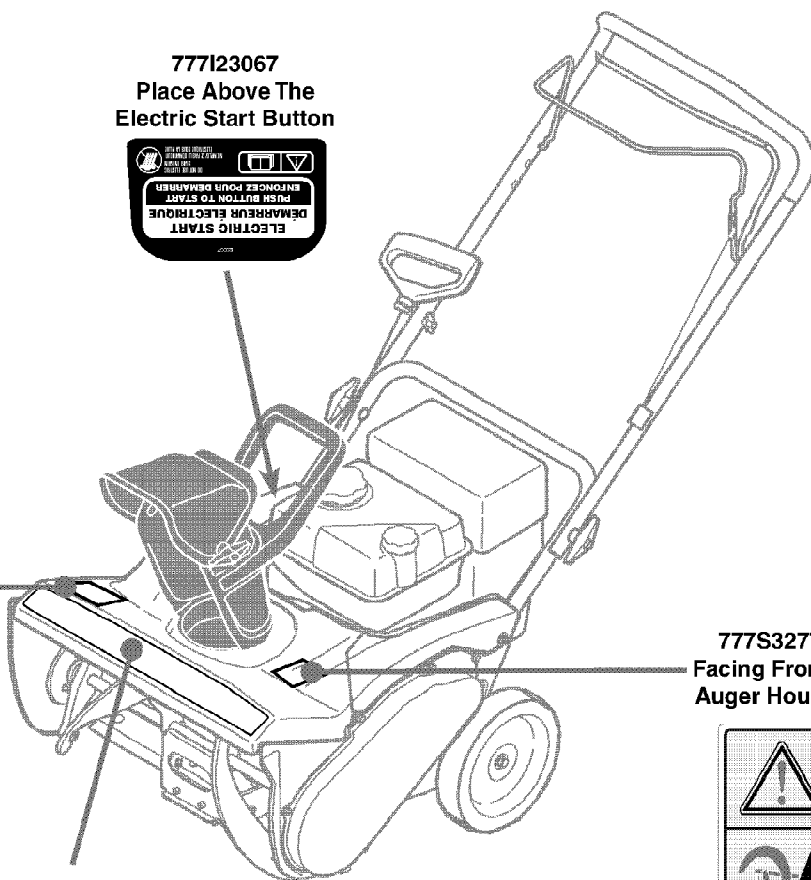
777I23067  
Place Above The  
Electric Start Button



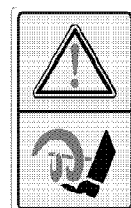
777S33153  
Facing Operator



777I22139  
On Handle  
Facing Operator



777S32775  
Facing Front Of  
Auger Housing



777D13864

**COLUMBIA**

ELECTRIC START • DÉMARRAGE ÉLECTRIQUE  
OHV 4-CYCLE • SÉL. 4-TEMP  
Ergonomic Handle • Guidon ergonomique

**65021MSE**

31AM2P5B897 (2009)  
Label Map

Page 16 of 18

Ref #	Part Number	Qty	S/P/F	Description
777S32823	N/A	1		LABEL-SNOW CHUTE:EXP Mold In Graphic
777I22358	777I22358	1		LABEL:SNOW CHUTE:
777S33153	777S33153	1		LABEL-SNOW 2N/2P FRONT
777I22139	777I22139	1		LABEL-SNOW:HANDLE
777D13864	777D13864	1		LABEL-SNOW COLUM:65021MSE
777S32775	777S32775	1		LABEL-SNOW HOUSING MTD 4 CYL
777I23067	777I23067	1		LABEL-SNOW ELECTRIC START
777X43293	777X43293	1		LABEL-SNOW ELECTRIC START





31AM2P5B897 (2009)  
Quick Reference

Page 18 of 18

Ref #	Part Number	Qty	S/P/F	Description
	951-10292	1	/P	Spark Plug
	731-05632	1		Key
	N/A	1		Extension Cord
	N/A	1		Snow Removal Tool
	746-04237	1		Control Cable
	N/A	1		Auger Cable
	N/A	1		Speed Cable
	N/A	1		Wheel Cable
	984-04253-0637	1	/P	Auger Assembly
	731-1033	1	/P	Shave Plate
	N/A	1		Impeller Assembly
	N/A	1		Slide Shoe
	N/A	1		Shear Pin
	N/A	1		Bow Tie Cotter Pin
	N/A	1		Lamp
	954-04204	1	/P	Auger Belt
	N/A	1		Wheel Belt
	735-04032	1		Spiral Crescent
	735-04033	1		Rubber Paddle
	N/A	1		Friction Wheel
	N/A	1		Friction Wheel Rubber
	734-2010A	1	/P	Wheel - LH
	734-2010A	1	/P	Wheel - RH