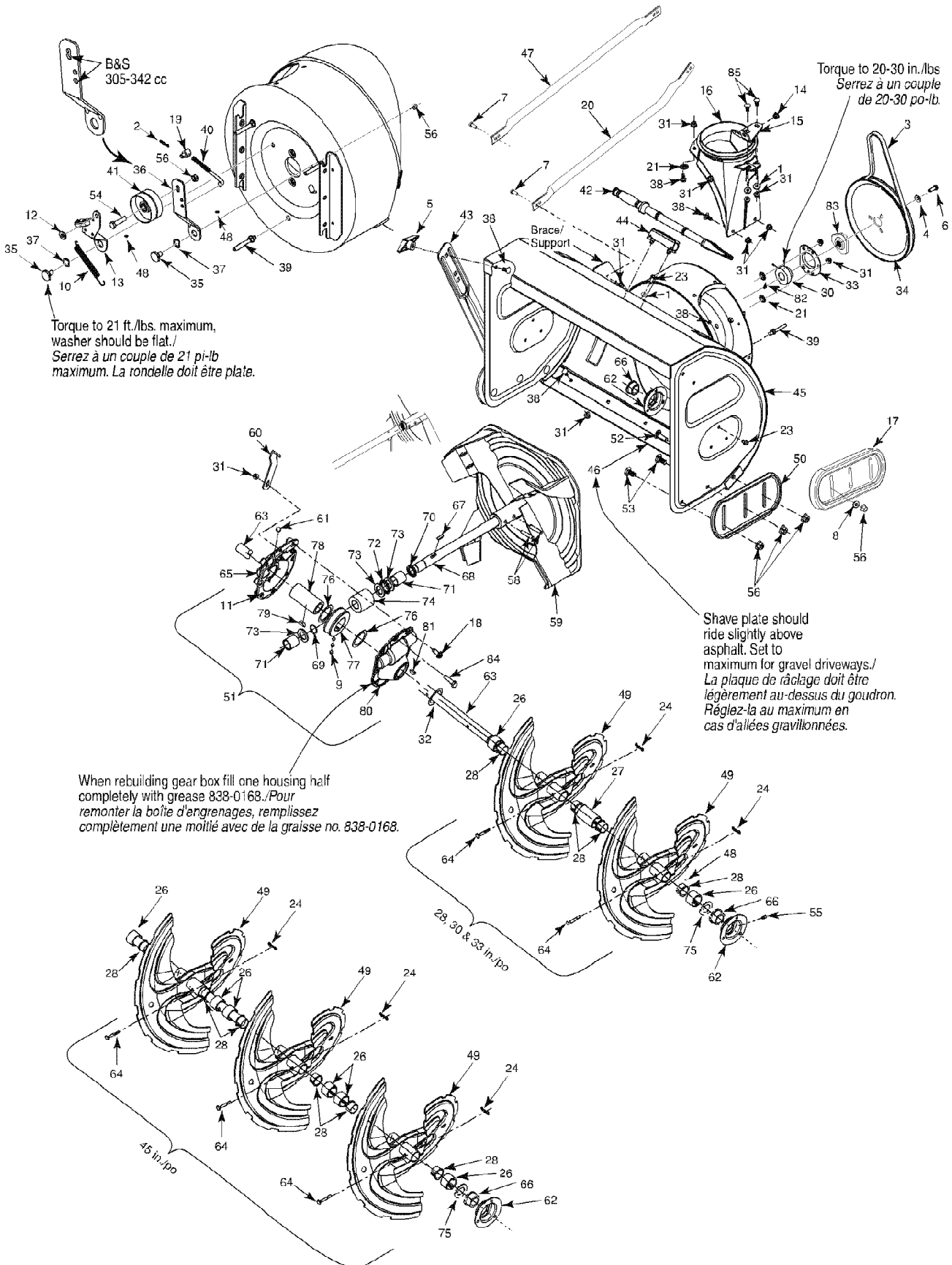


31AH9Z74597 (2008)
Auger & Auger Housing



31AH9Z74597 (2008)
Auger & Auger Housing

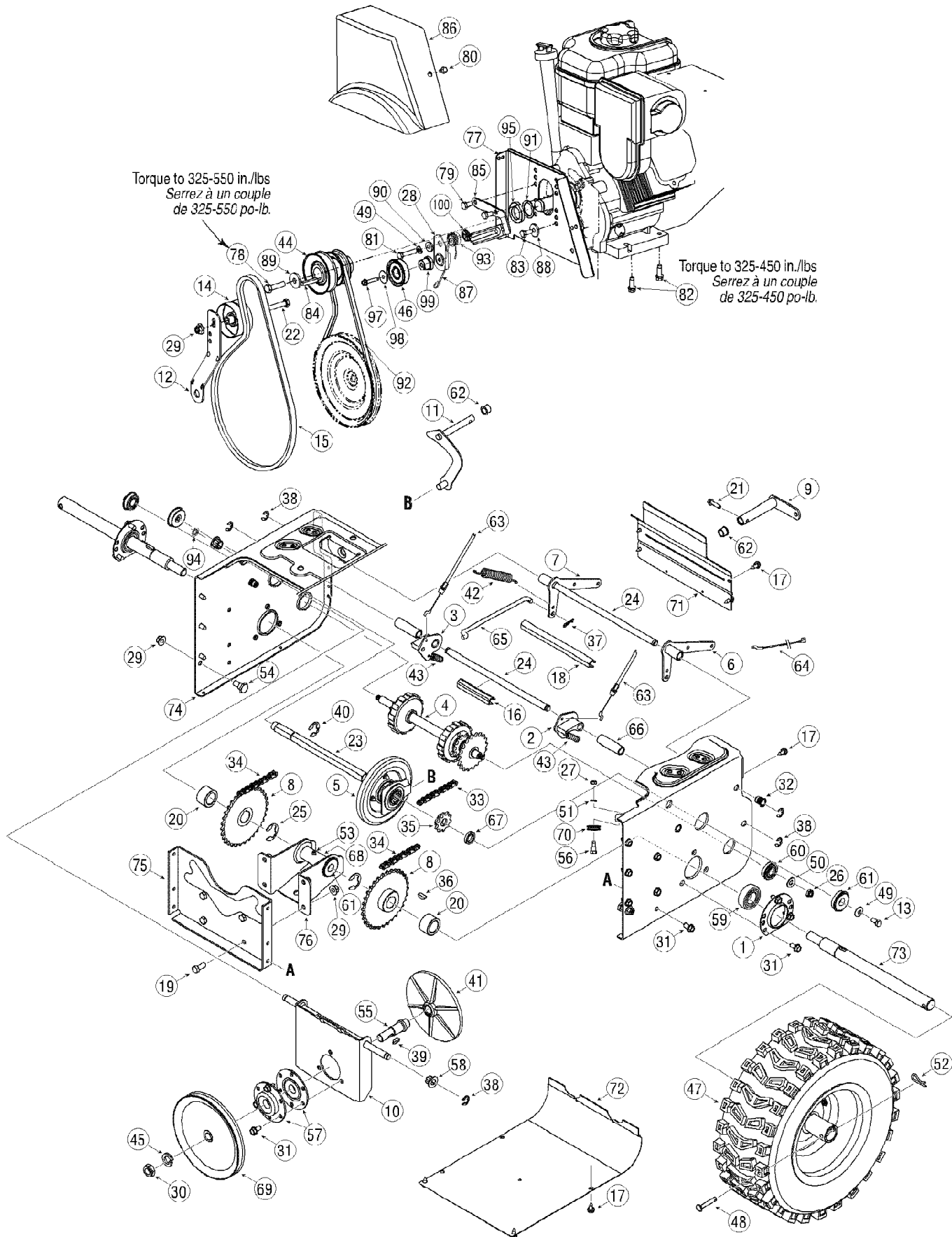
Page 2 of 16

Ref #	Part Number	Qty	S/P/F	Description
1	736-0159	1	S	Flat Washer .349 ID x .879 OD x .063
2	714-0104	1	S	Int. Cotter Pin
3	754-0222A	1	S	V-Belt 1/2 x 44" Lg.
3	754-04131	1	S	V-Belt 1/2 x 42" Lg.
4	736-0505	1		Flat Washer .34 x 1.5 x .150
5	720-0284	1	S	Handle Knob Assembly
6	710-1245B	1	/P	Hex Screw 5/16-24 x .875 Gr. 8 Lock
7	710-3008	1	/P	Hex Hd Cap Scr. 5/16-18 x .75 Gr. 5
8	736-0262	1	/P	Flat Washer .385 x .870 x .092
9	737-0168	1	S	Shell Alvania Grease (3 oz.)
10	732-0858	1		Extension Spring .470 Dia. x 4.75
11	721-0328	1		Ultra Grey Loctite #5699
12	736-3008	1	S	Flat Washer .344 ID x .75 OD x .120
13	618-0281A	1	S	Brake Bracket Ass'y (900 Series)
14	741-0475	1	S	Plastic Bushing .380 ID
15	784-5123	1	S	Chute Brkt.
16	731-1696B	1	/P	Chute Adapter
17	731-06007	1		Reversible Slide Shoe (Plastic)
18	710-1260A	1	/P	Screw, 5/16-18 x .5
19	711-0677	1	S	Adjustment Ferrule
20	749-04489	1	S	Support Tubing RH (w/plastic panel)
20	749-04485	1	S	Support Tubing LH (w/plastic panel)
21	726-04012	1	S	Push-on Nut .25 diam
23	710-04484	1		Hex TT Screw 5/16-18 x .75
24	714-04040	1		Bow Tie Cotter Pin
26	731-05163	1		Spacer 1.5 x 1.0 ID x 1.0" Lg.
27	731-05162	1		Spacer 1.5 x 1.0 ID x 2.5" Lg.
28	741-0494	1		Flange Bushing 1.05 ID x 1.16 OD
30	741-04024	1	S	Self-Aligning Bearing .875 ID
31	712-04063	1	/P	Hex Flg. L-Nut 5/16-18 Gr. F Nylon
32	736-3046A	1		Flat Washer 1.010 x 1.88 x .060
33	05244B	1	/P	Bearing Housing
34	756-04244A	1		Pulley .5 ID x 10 OD
35	738-0281	1	S	Shoulder Scr .625 Dia x .170
36	784-0385B	1	S	Auger Idler Bracket
37	736-0174	1	/P	Wave Washer .625 ID x .885 OD x .015
38	710-0451	1	/P	Carriage Bolt 5/16-18 x .75
39	710-04606	1	S	Screw 5/16-18 x .43 (w/stud)
40	747-0980A	1		Auger Idler Rod
41	756-0178	1		Flat Idler Pulley
42	731-2643	1	S	Cleanout Tool
43	790-00181	1		Drift Cutter
44	731-2635	1		Cleanout Tool Mount
45	684-04213	1		Standard Housing*, 28"
45	684-04332	1		Heavy Duty Housing, 28" (w/brace)
45	684-04215	1		Standard Housing*, 30"
45	684-04333	1		Heavy Duty Housing, 30" (w/brace)
45	684-04225	1	S	Reinforced Housing, 30"
45	684-04214	1		Standard Housing, 33"
45	684-04220	1		Heavy Duty Housing, 33" (w/brace)
45	684-04222	1		Reinforced Heavy Duty Hsg, 33". w/brace
45	684-04224	1		Heavy Duty Housing, 45". (w/brace)
45	684-04223	1		Heavy Duty Hsg, 45". w/brace

31AH9Z74597 (2008)
Auger & Auger Housing

Page 3 of 16

Ref #	Part Number	Qty	S/P/F	Description
46	784-5716B	1		Shave plate, 28"
46	784-5715B	1		Shave plate, 30"
46	784-5714B	1		Shave plate, 33"
46	790-00280	1		Shave plate, 45"
47	749-04384	1	S	Support Tubing (w/steel panel)
48	737-0318	1	S	Arctic Grease
49	684-04151	1		Auger LH
49	684-04152	1		Auger RH
50	784-5697	1		Reversible Slide Shoe
51	618-04515	1	S	Worm Gear Box Ass'y (w/o grease fitting)
51	618-04514	1	S	Worm Gear Box Ass'y (w/ grease fitting)
52	710-3168	1	/P	Carriage Bolt 3/8-16 x 1.00" (w/steel shoe)
52	710-3034	1	/P	Carriage Bolt 3/8-16 x 1.25" (w/plastic shoe)
53	710-0389	1	/P	Carriage Bolt 3/8-16 x .75" (w/steel shoe)
53	710-3168	1	/P	Carriage Bolt 3/8-16 x 1.00" (w/plastic shoe)
54	710-0347	1	/P	Hex Hd. Cap Scr 3/8-16 x 1.75 Gr. 5
55	737-3000	1	S	Grease Fitting
56	712-04065	1	/P	Hex Flange L-Nut 3/8-16 Gr. F Nylon
58	715-0118	1	S	Spring Spirol Pin Heavy - 5/16 dia x 1.7
59	684-0090B	1	S	Blower Fan Ass'y Complete
60	790-00264A	1	S	Gear Housing Support Bracket
61	721-0325	1		Barbed Plug
62	05845C	1		Bearing Housing
62	784-0315A	1		Bearing Housing (w/grease fitting)
63	738-04156	1		Auger shaft, 28"
63	738-04157	1	S	Auger shaft, 30"
63	738-04158	1	S	Auger shaft, 33"
63	738-04159	1		Auger shaft, 45"
64	738-04155	1		Shear Pin 5/16-18 x 1.75
65	618-0246	1	S	Gear Housing Half - RH
66	741-0192	1		Flange Bearing
67	714-0126	1	S	#9 HI-Pro Key 3/16 x 3/4 Dia HT
68	711-04714	1		Auger Drive Shaft
69	716-0111	1	/P	Snap Ring for .875 dia. shaft
70	721-0145	1	S	Oil seal for .875 ID Garlock (76 x 6133)
71	741-0217	1	S	Sleeve Bearing .875 ID
72	741-0184	1		Thrust Bearing .88 ID x 1.44 OD x .078
73	736-0291	1	S	Flat Washer .88 ID x 1.4 OD x .125
74	717-0299	1	S	Worm Gear LH Double Thread
75	750-04020	1		Spacer
76	736-0266	1	S	Flat Washer 1.5 ID x 2.0 OD x .03
77	717-1425	1	S	Worm Gear LH Double Thread (Bronze)
78	738-0275	1		Worm Gear Shaft
79	714-0135	1	S	#91 Woodruff Key 1/4 x 3/4 Dia.
80	618-0247	1	S	Gear Housing Half LH
80	618-0435	1	S	Gear Housing Half LH (w/grease fitting hole)
81	714-0135	1	S	#91 Woodruff Key 1/4 x 3/4 Dia.
82		1		Low Temperature grease
83	748-04067A	1		Pulley Adapter .75 Dia. w/pins
84	710-0376	1	/P	Hex Hd. Cap Scr. 5/16-18 x 1.0 Gr. 5
85	710-0276	1	/P	Carriage Bolt 5/16-18 x 1.00" Lg



31AH9Z74597 (2008)
Drive Assembly

Page 5 of 16

Ref #	Part Number	Qty	S/P/F	Description
1	05244B	1	/P	Bearing Housing
2	618-0279	1	S	LH Dog Assembly
3	618-0280	1	S	RH Dog Assembly
4	618-0282E	1	S	Steering Shaft Assembly
5	618-04178	1	S	Wheel Ass'y Bearing 6.0" OD
5	718-04034	1		Friction Wheel Bonded
5	710-0896	1	/P	Hex Wash. Hd. TT Scr. 1/4-14 x .625
6	684-0118B	1	S	Actuator Auger Bracket Ass'y
7	684-0119B	1	S	Actuator Drive Bracket Ass'y
8	684-04235	1		32T Sprocket Ass'y
9	684-0161	1	S	Shift Arm Ass'y
10	684-04212	1	S	Friction Drive Support
11	684-04103	1	S	Shift Ass'y Rod
12	784-0385B	1	S	Auger Idler Bracket
13	710-0538	1	/P	Hex L-Bolt 5/16-18 x .62
14	756-0178	1		Flat Idler Pulley
15	754-04131	1	S	V-Belt 1/2 x 42" Lg.
16	750-04718	1		Spacer .51 ID x 3.66" Lg.
17	710-1652	1	/P	Hex Wash Hd TT Scr. 1/4-20 x .625
18	750-04717	1		Spacer .51 ID x 7.895" Lg.
19	710-3001	1	/P	Hex Hd. C-Sunk Scr. 3/8-16 x .880 Gr. 5
20	750-04703	1		Spacer 1.0 ID x 1.5" Lg.
21	710-0788	1	/P	Hex Bolt 1/4-20 x 1.00
22	710-0347	1	/P	Hex Screw 3/8-16 x 1.75
23	711-04279	1	S	Hex Drive Shaft
24	711-04605	1		Ac tu a tor Shaft
25	716-04048	1		Retaining Ring
26	712-0116	1	S	Hex Nut 3/8-24
27	712-0138	1	S	Hex Nut 1/4-28
28	784-5726	1		Drive Idler Bracket
29	712-04065	1	/P	Flange L-Nut 3/8-16 Gr. F Nylon
30	712-0413	1	S	Hex Jam Locknut 5/8-18 Gr. 5 Nylon
31	710-04484	1		TT Screw, 5/16-18 x .75
32	712-0717	1		Nut Insert 3/8-16 UNC
33	713-0284	1		#41 Chain 1/2" pitch x 36 links- Endless
34	713-0286	1	/P	#420 Chain 1/2" pitch x 40 links-Endless
35	713-04015	1	S	10T Sprocket #41 x .500
36	714-0135	1	S	Woodruff Key
37	714-0104	1	S	Int. Cotter Pin 5/16 DIA
38	716-0104	1	S	E-ring
39	714-0388	1	S	No. 61 Hi-Pro Key 3/16 x 5/8
40	716-0136	1		Retaining Ring E-Type .875 dia.
41	717-0302	1	S	Alumi num Drive Plate
42	732-0121	1	S	Idler Extension Spring
43	732-0209	1	S	Extension Spring .47 OD x 2.03 Lg.
44	756-0241B	1	/P	Pulley, Dbl (w/342 cc engine)
44	756-04351	1		Pulley, Dbl (w/305 cc engine)
45	736-0158	1	S	Lockwasher 5/16 ID
46	756-0240	1		Flat Idler Pulley 3.0 OD
47	634-0225	1		Wheel Assembly 16 x 6.5 x 8 LH X-Trac
47	634-0226	1		Wheel Assembly 16 x 6.5 x 8 RH X-Trac
47	734-2031	1		Tire 16 x 6.5 x 8 Not shown
47	734-1124	1		Tire 16 x 6.5 x 8 Not shown

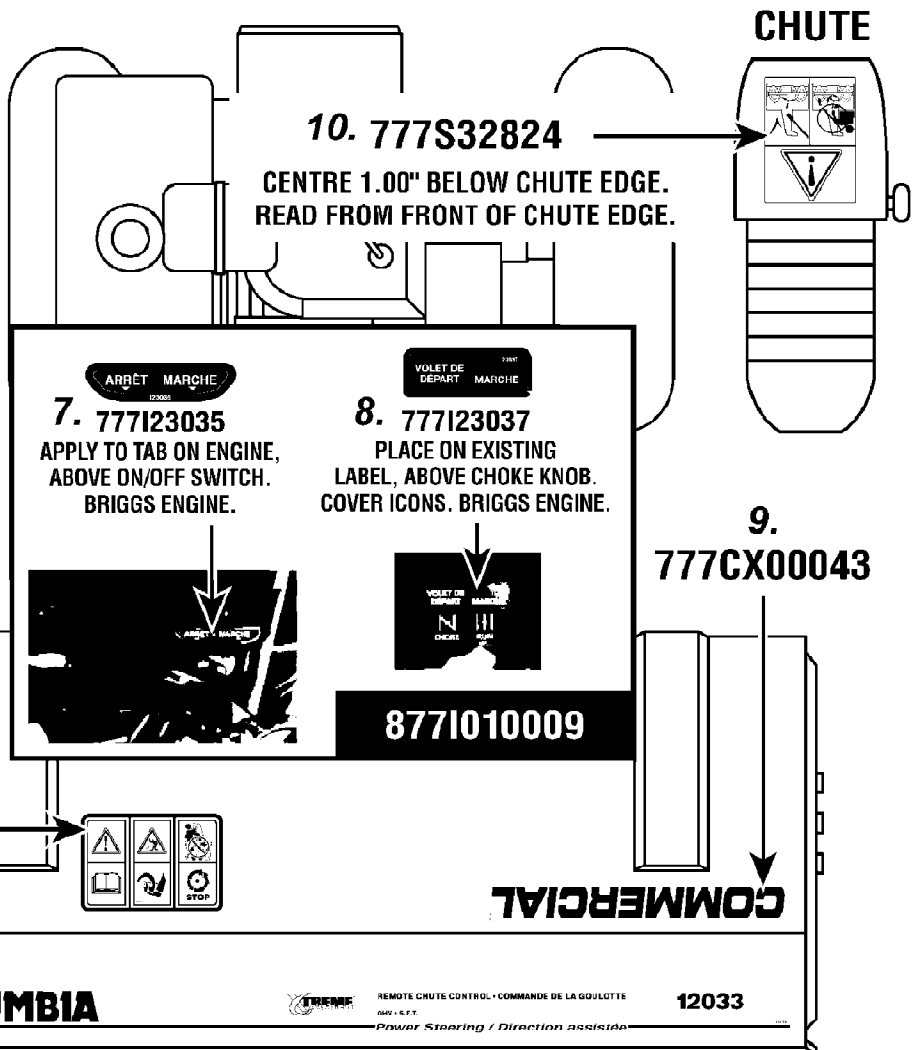
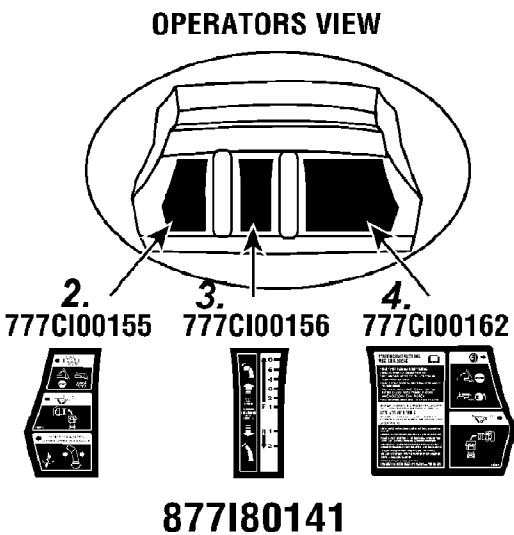
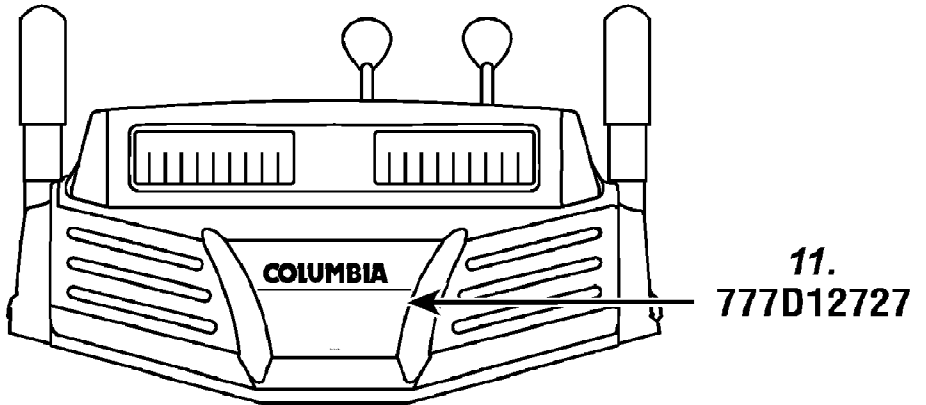
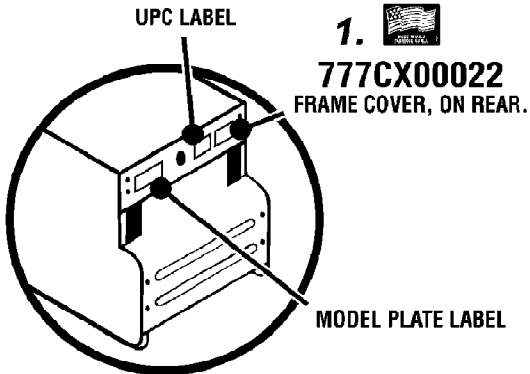
31AH9Z74597 (2008)
Drive Assembly

Page 6 of 16

Ref #	Part Number	Qty	S/P/F	Description
47	741-0246A	1		Bearing Not shown
47	734-0255	1	S	Air Valve Not shown
48	711-04615	1		Clevis Pin
49	736-0242	1	/P	Cupped Washer .345 ID x .88 OD x .06
50	736-0300	1	S	Flat Washer .385 ID x .87 OD x .06
51	736-0329	1	S	L-Wash 1/4 ID
52	714-0149B	1	S	Int. Cotter Pin
53	737-3000	1	S	Grease
54	738-0143	1	/P	Shld. Scr. .500 Dia. x .335" Lg.
55	738-0279	1		Drive Plate Spindle
56	738-0924A	1	/P	Hex Shld.Scr.1/4-28 x .375
57	741-0163A	1	/P	Bearing Hsg. Ass'y.
58	741-04108	1		Hex Flange Bearing
59	741-04025	1	S	Self aligning brg. 1.0 ID
60	741-04076	1		Ball Bearing .5625 ID x 1.3750 x .437
61	741-0563	1	S	Ball Bearing w/snap ring
62	741-0748	1		Flange Bushing .500 ID x .627 OD
63	746-0949A	1	/P	Steering Cable
64	746-0951	1	S	Auger Idler Cable
65	747-0973	1		Drive Clutch Rod
66	750-0903B	1	/P	Split Spacer 1/2 x 5/8 x 2.69
67	750-0997	1	S	Spacer .625 ID x 1.0 OD x .23
68	750-1302B	1		Spacer .6725ID x 1.125 OD x 2.485
69	756-0344	1	/P	1/2" "V" Pulley .625 ID x 7.50 OD
70	756-0625	1		Cable Guide Roller
71	790-00257	1		Upper Frame Cover
72	790-00259	1		Lower Frame Cover
73	711-04608	1	/P	Axle .995 x 12.6" Lg. (28")
73	711-04607	1		Axle.995 x 14.10" Lg (30" & 33")
73	711-04606	1		Axle .995 x 20.4" Lg. (45")
74	790-00255A	1		Transmission Frame Ass'y (900)
75	784-0406A	1	S	Frame Support Bracket
76	784-0407	1	S	Axle Brg. Support Bracket
77	790-00254A	1	S	Belt Cover Bracket
78	710-1044	1	/P	Hex Screw 3/8-24 x 1.5 Gr. 5
79	710-0237	1	/P	Hex Screw 5/16-24 x .625 Gr. 5
80	710-0607	1	/P	Hex Wash HD S-Tapp Scr 5/16-18 x .50
81	710-0624	1	/P	Hex HD. Cap Scr. 5/16-24 x 1.5 Lg. Gr. 5
82	710-0654A	1	/P	Hex Wash HD Tap Scr 3/8-16 x 1.00
83	710-0627	1	/P	Hex Hd.Cap Scr. 5/16-24 x 0.75 Gr. 5
84	714-0118	1	/P	Square Key 1/4 x 1/4 x 1.50" Lg.
85	790-00167A	1	S	Belt Keeper Bracket
86	731-2531	1	S	Belt Cover
87	732-04308A	1	/P	Torsion Spring .850 x 3.33" Lg.
88	748-0234	1	/P	Shoulder Spacer .25 THK
89	736-0247	1	/P	Flat Washer .406 ID x 1.25 OD x .160
90	748-04112B	1	/P	Shoulder Spacer .3175 x .5 x .094
91	GW-1166-1	1	S	Flat Washer 1.015 x 1.375 x .062
92	754-0367	1	S	V-Belt 3/8 x 34.4" Lg.
93	750-04821	1		Shoulder Spacer .340 x 1.0
94	726-0221	1	/P	Speed Nut .50
95	750-04020	1		Spacer 1.004 x 1.375 x .25
97	710-0809	1		Spacer 1.0420 x 1.25

31AH9Z74597 (2008)
Drive Assembly

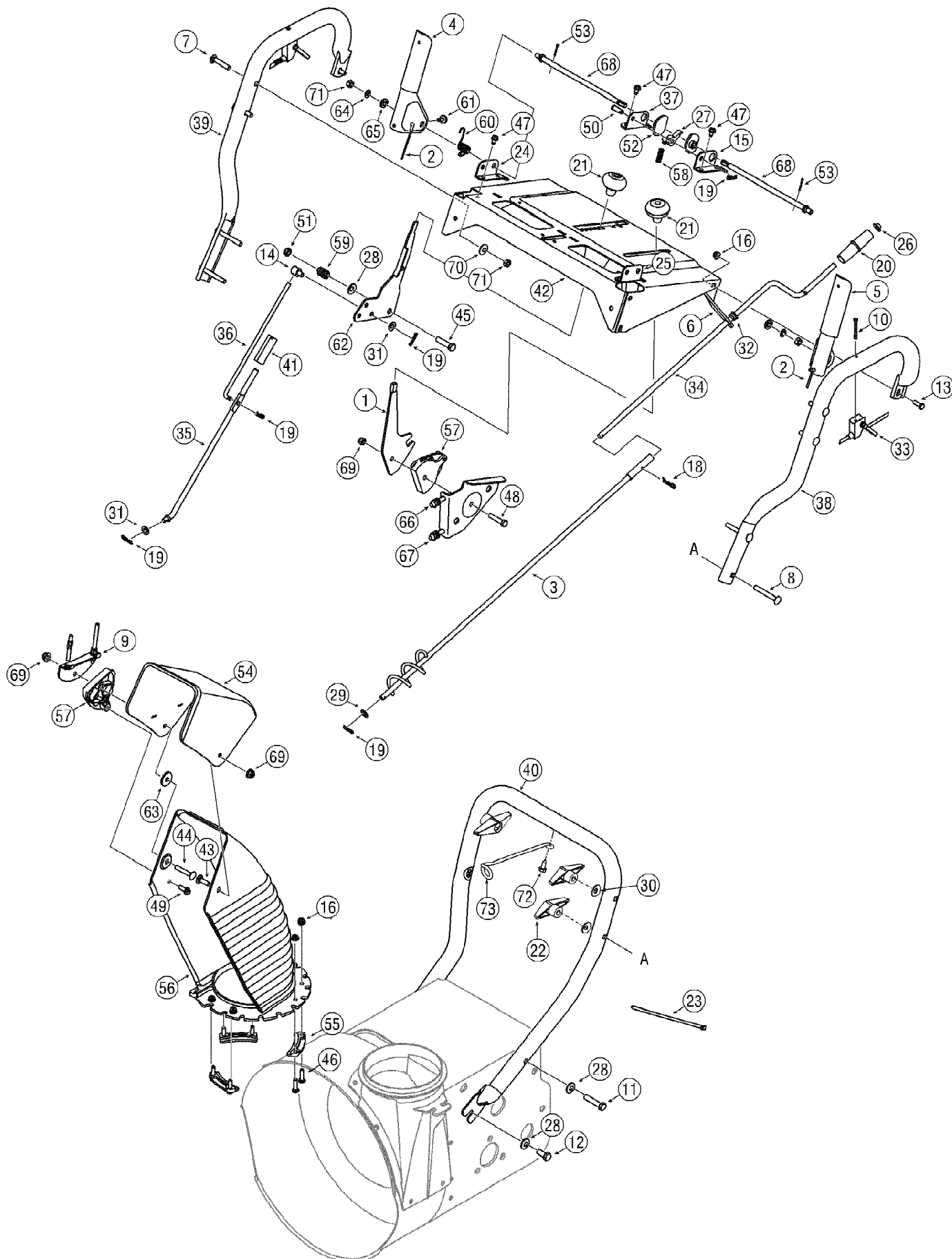
Ref #	Part Number	Qty	S/P/F	Description
98	736-3092	1	/P	Flat Washer .265 ID x 1.0 OD x 0.030 HT
99	750-04571	1		Shoulder Spacer
100	726-04012	1	S	Push on Nut



31AH9Z74597 (2008)
Label Map

Page 9 of 16

Ref #	Part Number	Qty	S/P/F	Description
1	777CX00022	1		LABEL- MADE IN USA
2	777CI00155	1		LABEL-SNOW:CNTRLPNL:STY7:LH
3	777CI00156	1		LABEL-SNOW:CNTRLPNL:STY7:MDL
4	777CI00162	1		LABEL-SNOW:CNTRLPNL:STY7:RH 30, 33, 45 Inch Only
4	777S33145	1		LABEL-UV HOT SURFACE 28-Inch Only
5	777CS00071	1		LABEL-DANGER AUGER
6	777D12733	1		LABEL-SNOW:HSG:9Z74:28:597 28-Inch Only, Not shown
6	777D12734	1		LABEL-SNOW:HSG:9J75:30:597 30-Inch Only, Not shown
6	777D12735	1		LABEL-SNOW:HSG:9J76:33:597 33-Inch Only
6	777D12736	1		LABEL-SNOW:HSG:9J77:45:597 45-Inch Only, Not shown
7	777I23035	1		LABEL-SNOW:B&S ENG:ON/OFF:FRN:CDN
8	777I23037	1		LABEL-SNOW:B&S EN:CHK/RUN:FRN:CDN
9	777CX00043	1		LABEL-COMMERCIAL 30, 33, 45 Inch Only
10	777S32824	1		LABEL-SNOW:CHUTE:ADHSV EXP
11	777D12727	1		LABEL-COLUMBIA



31AH9Z74597 (2008)
Panel & Chute Assembly

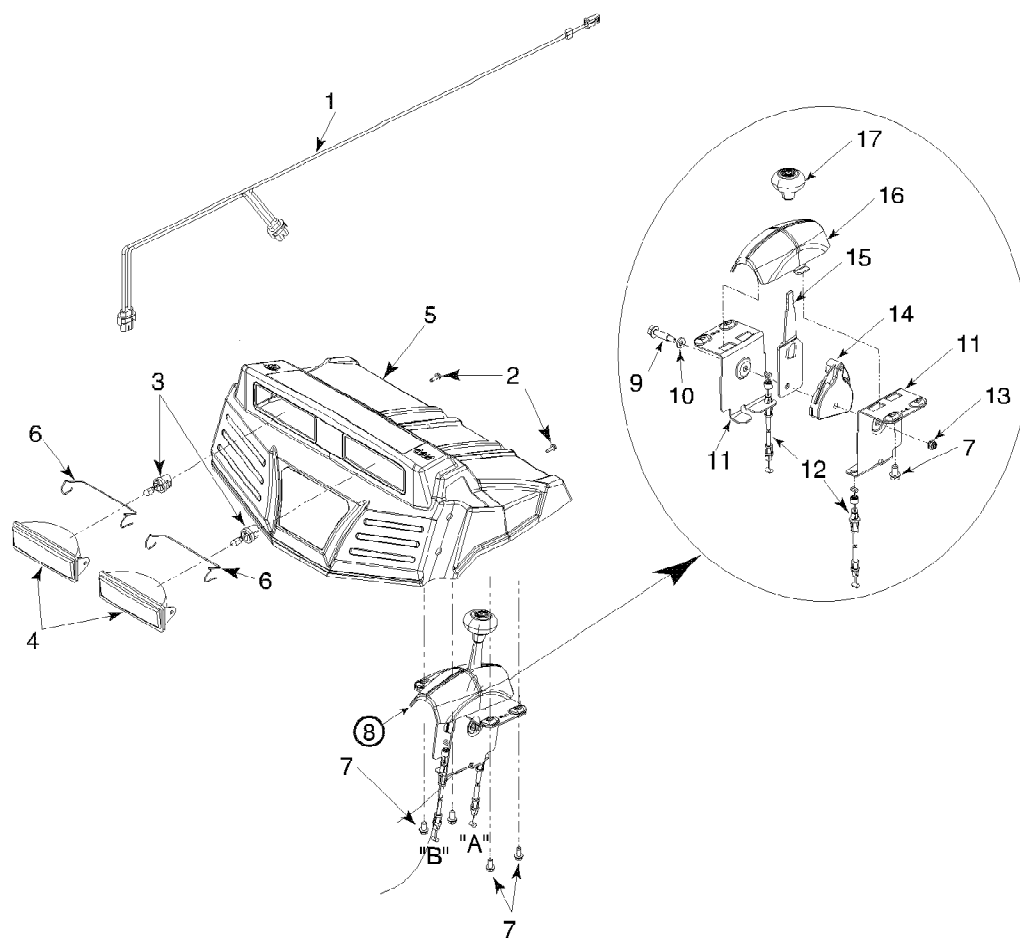
Page 11 of 16

Ref #	Part Number	Qty	S/P/F	Description
1	784-5604A	1	S	Chute Tilt Handle
2	646-0012	1		Cable Ass'y (Auger/Drive)
3	684-0053B	1	S	Lower Chute Crank Assembly
4	705-5218	1		Engage Handle RH Black
5	705-5219	1		Engagement Handle LH Black
6	705-5266	1	S	Upper Chute Crank Support
7	710-0458	1	/P	Carriage Bolt 5/16-18 x 1.75" Lg.
8	710-0572	1	/P	Carriage Bolt 5/16-18 X 2.50
9	784-5594	1		Cable Bracket Chute Tilt
10	710-1625	1		Screw, #10-24 x 1.75
11	710-04682	1	/P	Hex Screw 3/8-16 x 2.0 Gr. 5
12	710-3118	1		Hex TT Screw 3/8-16 x .75
13	710-3015	1	/P	Hex Cap Bolt 1/4-20 x .75" Lg.
14	711-0677	1	S	Ad just ment Ferrule
15	784-5679	1	S	LH Handle Support Brkt. 5/8"
16	712-04064	1	/P	Hex L-Flanged Nut 1/4-20 Gr. F Nylon
18	714-0101	1	S	Internal Cotter Pin
19	714-0104	1	S	Int. Cotter Pin .072 x 1.13" Lg.
20	720-0201A	1	/P	Knob 1.0 x 3.2
21	720-04039	1		Shift Knob
22	720-0284	1	S	Knob
23	725-0157	1	/P	Cable Tie
24	784-5682	1	S	RH Handle Support Brkt. 3/8"
25	784-5681	1	/P	LH Handle Support Brkt. 3/8"
26	726-0100	1	S	Push Nut 3/8" Rod
27	748-0363	1	S	Cam Lock Pawl
28	736-0105	1	/P	Cupped Washer .375 ID x .870 OD x .063
29	736-0185	1	S	Flat Washer .406" I.D. x .75" O.D.
30	736-0242	1	/P	Cupped Washer .345 ID x .88 OD x .06
31	736-0275	1	S	Flat Washer .34 ID x .688 OD x .065
32	741-0475	1	S	Plastic Bushing .380 ID
33	746-0950A	1	/P	Steering Trigger
34	747-0624	1	S	Upper Chute Crank Assembly
35	747-0983A	1	/P	Lower Shift Rod
36	747-0997	1		Upper Shift Rod
37	784-5680	1	S	RH Handle Support Brkt. 5/8"
38	749-0989A	1		Upper Handle LH
39	749-0990A	1		Upper Handle RH
40	749-0991	1		Lower Handle
41	750-0963	1	S	Connector - Shift Rod
42	684-0102A	1		Handle Panel Support Ass'y
43	710-0276	1	/P	Carriage Bolt 5/16-18 x 1.00" Lg
44	710-0458	1	/P	Carriage Bolt 5/16-18 x 1.75" Lg.
45	710-0459A	1	/P	Hex Scr 3/8-24 x 1.50
46	710-0597	1	/P	Screw 1/4-20 x 1.0
47	710-0599	1	/P	Hex Wash S-Tapp Scr 1/4-20 x .50
48	710-0805	1	/P	Hex Bolt 5/16-18 x 1,50" Lg. Gr. 5
49	710-0895	1		Hex Tapp Scr 1/4 x .75" Lg.
50	711-0653	1	/P	Clevis Pin .31 Dia. x 1.0" Lg.
51	712-0116	1	S	Hex Nut 3/8-24
52	748-0362	1		Cam Handle Lock
53	714-0507	1	S	Cotter Pin 3/32 x .75
54	731-0846C			

31AH9Z74597 (2008)
Panel & Chute Assembly

Page 12 of 16

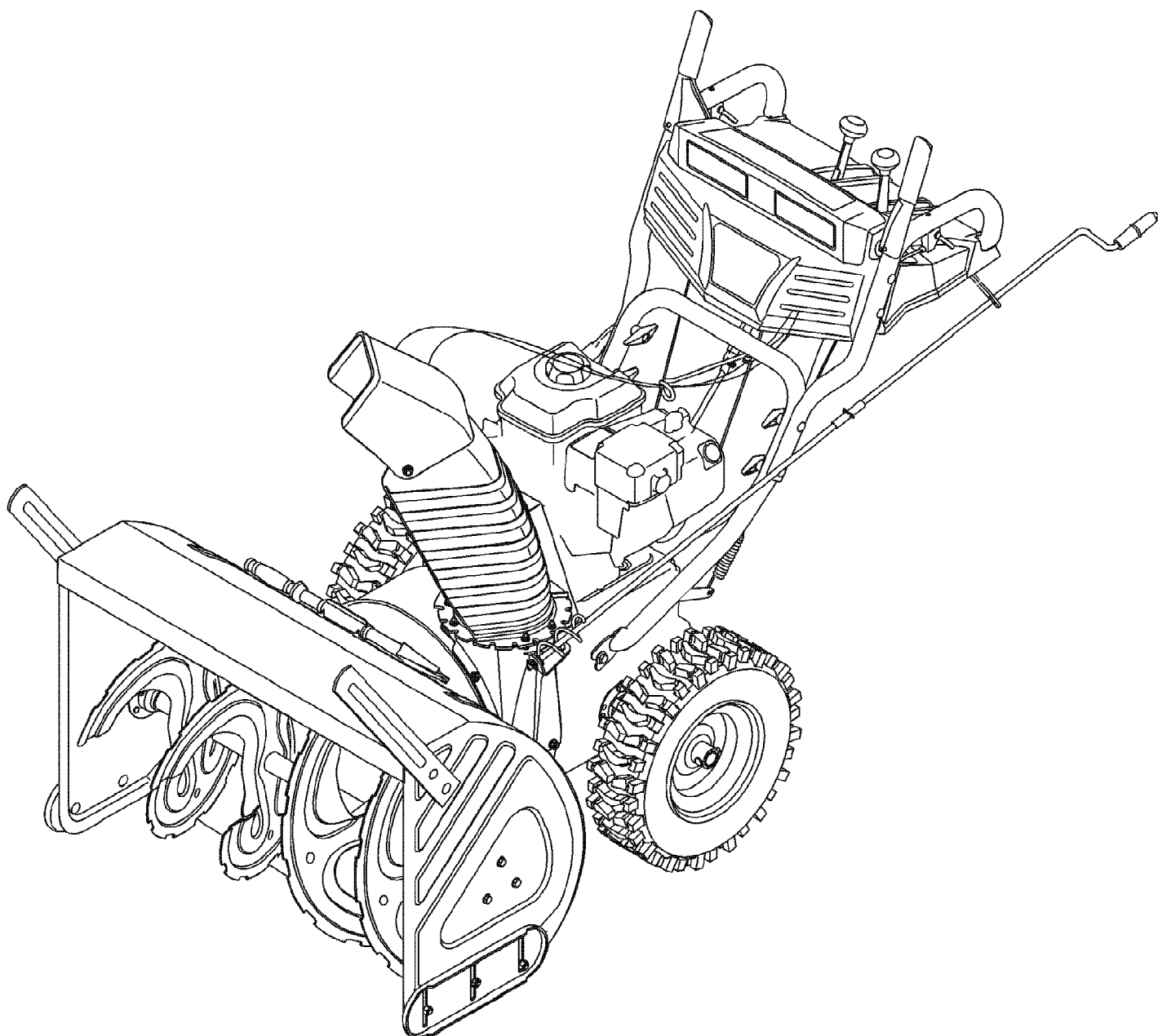
Ref #	Part Number	Qty	S/P/F	Description
55	731-0851A	1	/P	Chute Flange Keeper
56	731-0903E	1	/P	Lower Chute
57	731-1313C	1	/P	Cable Guide
58	732-0145	1	/P	Compression Spring .62 OD x 6.12" Lg.
59	732-0193	1	/P	Compression Spring .38 ID x .88 Lg
60	732-0746	1		Tor sion Spring
61	735-0199A	1	S	Rub ber Bumper
62	784-5619B	1	S	Shift Lever
63	736-0231	1	S	Flat Washer .344 ID x 1.125 OD x .125
64	736-0119	1	S	L-Wash 5/16 ID
65	736-0509	1		Flat Washer (special) .350 sq. x .72 x .134
66	746-0902	1	S	Chute Control Cable 66"
67	746-0903	1	S	Chute Control Cable w/clip
68	747-0877	1		Cam Rod
69	712-04063	1	/P	Hex L-Flanged Nut 5/16-18 Gr. F Nylon
70	736-0159	1	S	Flat Washer .349 ID x .879 OD x .063
71	712-3068	1	S	Hex Patch L-Nut 5/16-18
72	710-04484	1		Hex TT Screw 5/16-18 x .75
73	747-04786	1		Cable Guide



31AH9Z74597 (2008)
Panel 7 Style

Page 14 of 16

Ref #	Part Number	Qty	S/P/F	Description
1	629-04010A	1		Wire Harness
2	710-1003	1	/P	Hex Tapp Wash Hd. Scr. #10 x 5/8
3	725-1658	1	S	Bulb #890, 12 V, 27 Watt
4	725-1672	1	S	Headlight Housing
5	731-04069	1		Black Handle Panel
6	747-1136	1	/P	Retainer
7	710-04187	1	/P	Hi-Lo Screw 1/4-15 x .5
8	684-04230	1	S	2 Way Chute Control Assembly
9	738-04185	1		Flg Shlder Sscrew .310 x .995: 1/4-20
10	736-0413	1	/P	Spring Washer .390 x .625 x .012
11	790-00200	1		Mounting Bracket - 2 Way
12	746-04338	1		Cable - w/standard chute
13	712-04064	1	/P	Hex L-Flanged Nut 1/4-20 Gr. F Nylon
14	731-1313C	1	/P	Cable Guide
15	790-00210A	1		Lever - 2 Way
16	731-05307	1		Control Cover - 2 Way
17	720-04039	1		Knob



31AH9Z74597 (2008)
Quick Reference

Page 16 of 16

Ref #	Part Number	Qty	S/P/F	Description
	759-3336	1	/P	Spark Plug
	BS-794696	1	/P	Key
	N/A	1		Extension Cord
	731-2643	1	S	Snow Removal Tool
	646-0012	1		Drive/Auger Cable
	746-04338	1		Chute Cable
	746-0902	1	S	Control Cable
	746-0949A	1	/P	Steering Cable
	684-04151	1		Auger Assembly - LH
	684-04152	1		Auger Assembly - RH
	784-5716B	1		Shave Plate, 28"
	784-5715B	1		Shave Plate, 30"
	784-5714B	1		Shave Plate, 33"
	790-00280	1		Shave Plate, 45"
	684-0090B	1	S	Impeller Assembly
	784-5697	1		Slide Shoe
	738-04155	1		Shear Pin
	714-04040	1		Bow Tie Cotter Pin
	725-1658	1	S	Lamp
	754-04131	1	S	Auger Belt
	754-0367	1	S	Wheel Belt
	N/A	1		Spiral Crescent
	N/A	1		Rubber Paddle
	618-04178	1	S	Friction Wheel
	718-04034	1		Friction Wheel Rubber
	634-0225	1		Wheel - LH
	634-0226	1		Wheel - RH