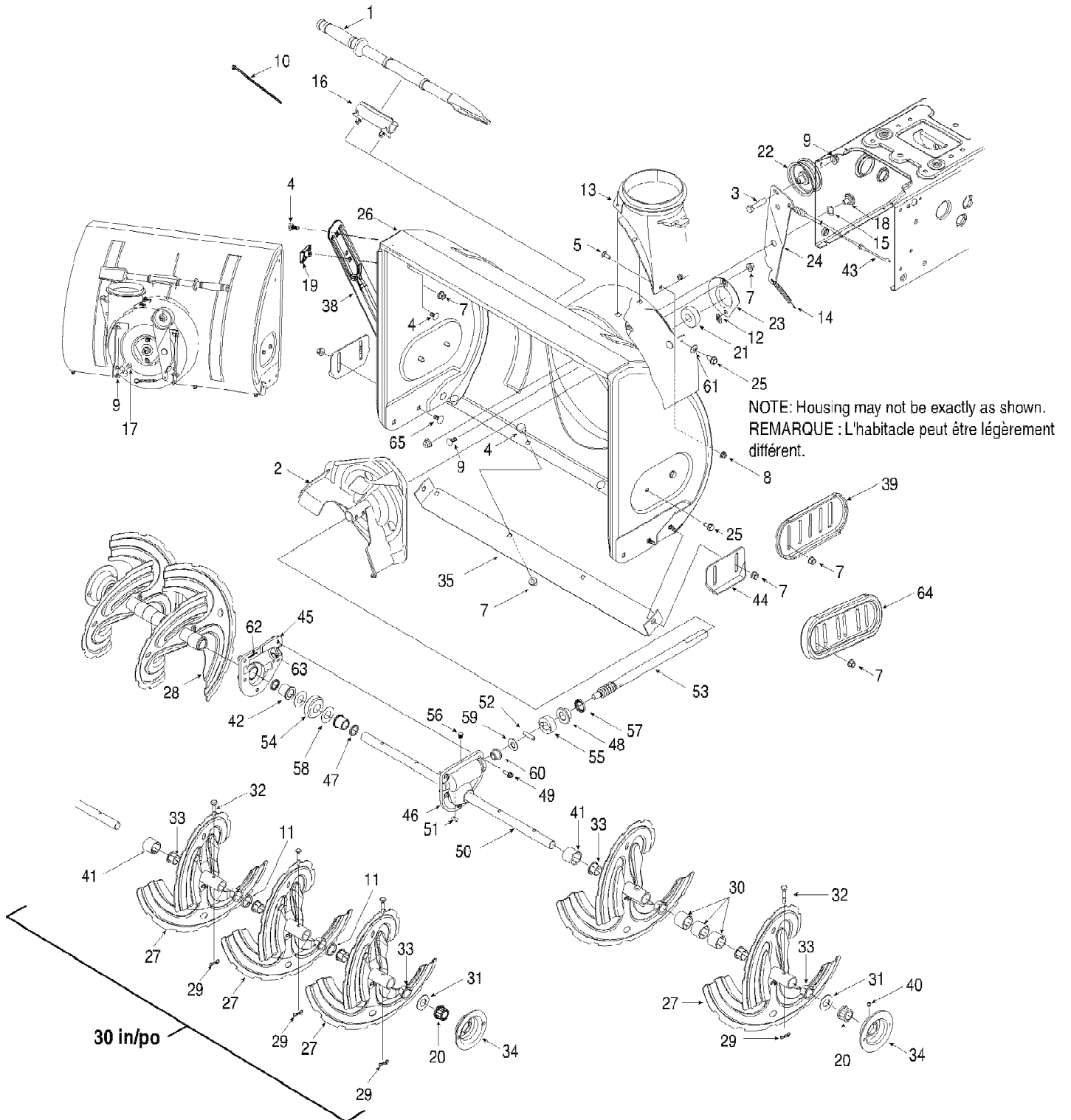


31AH6WK3597 (2008)
Auger & Auger Housing



31AH6WK3597 (2008)
Auger & Auger Housing

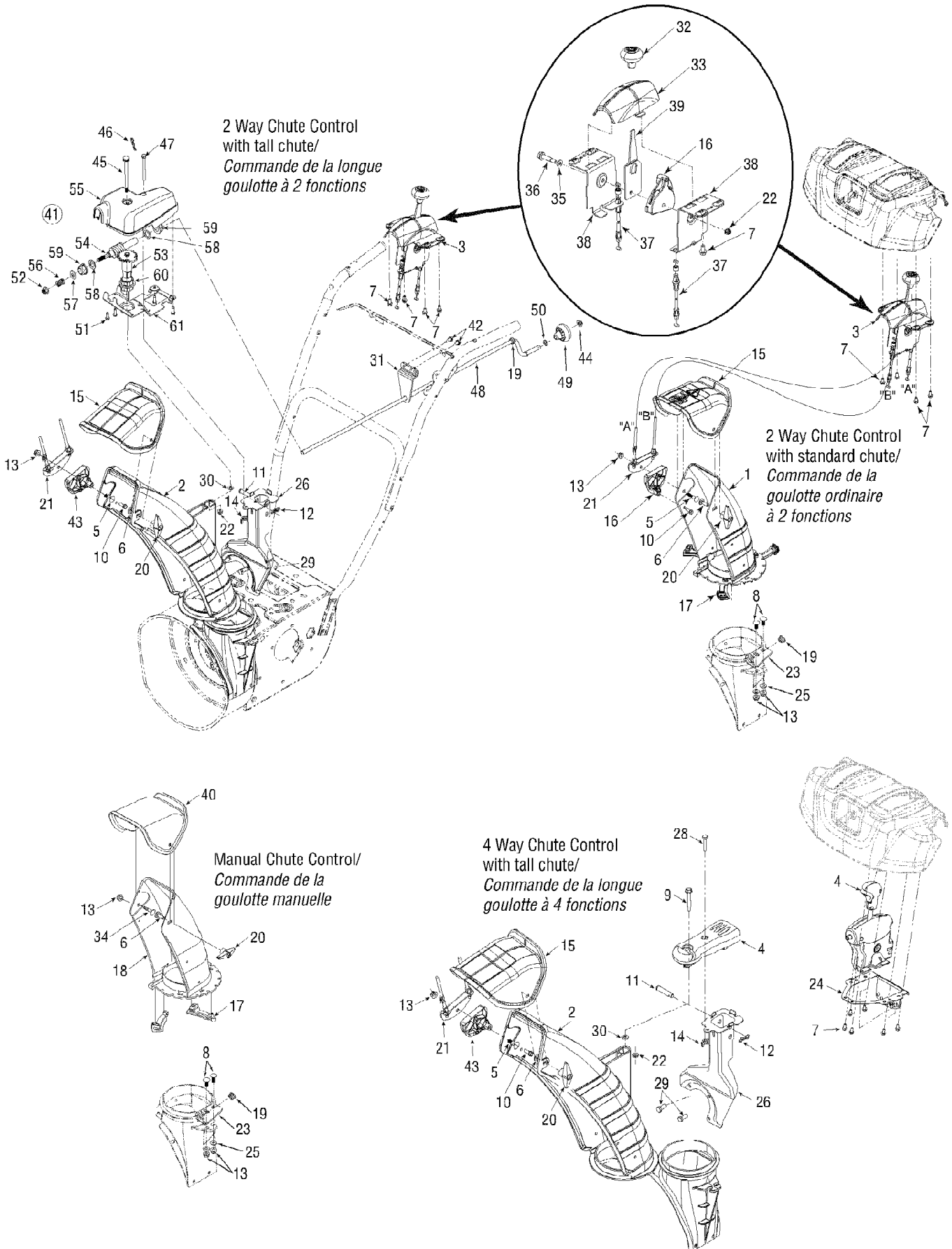
Page 2 of 16

Ref #	Part Number	Qty	S/P/F	Description
1	731-2643	1	S	Clean-Out Tool
2	684-04057A	1	S	Impeller Ass'y 12 po
3	710-0347	1	/P	Hex Screw 3/8-16 x 1.75
4	710-0451	1	/P	Carriage Bolt 5/16-18 x .75
5	710-0703	1	/P	Carriage Screw 1/4-20 x .75 Gr. 5
7	712-04063	1	/P	Flange Locknut 5/16-18 Gr. F Nylon
8	712-04064	1	/P	Hex L-Flanged Nut 1/4-20 Gr. F Nylon
9	712-04065	1	/P	Hex L-Flanged Nut 3/8-16 Gr. F Nylon
10	725-0157	1	/P	Ca ble Tie
11	731-04871	1		Spacer 1.25 x .75 x 3/16" Lg.
12	726-04012	1	S	Push-on Nut .25 dia.
13	731-04705	1	S	Chute Adapter
14	732-04460	1		Extension Spring .38 OD x 4.59" Lg.
15	736-0174	1	/P	Wave Washer .660 ID x .88 OD x .010
16	731-2635	1		Cleanout Tool Mount
17	738-0143	1	/P	Shld. Scr. .500 Dia. x .335" Lg.
18	738-0281	1	S	Shoulder Scr .625 Dia x .170
19	720-0284	1	S	Hand Knob
20	741-0245	1	S	Hex. Flange Brg. .751" I.D.
21	741-0309	1	S	Self-aligning bearing
22	756-0981B	1	S	Flat Idler Pulley 2.75" OD
23	790-00075	1		Bearing Housing 1.85 ID
24	790-00080A	1	S	Auger Idler Brake Bracket
25	710-04484	1		Hex TT Screw 3/8-16 x .75
26	711-04071	1		Auger Axle Assembly, Auger, 26"
26	711-04272	1		Auger Axle Assembly, Auger, 28"
27	684-04107	1		Spiral Ass'y LH
28	684-04108	1		Spiral Ass'y RH
29	714-04040	1		Bow Tie Cotter Pin
30	731-04870	1	F	Spacers see footnote
31	736-0188	1	/P	Flat Washer .760 ID x 1.49 OD
32	738-04124A	1	/P	Shear Pin .25 x 1.5 Gr. 2
33	741-0493A	1	/P	Flange Bushing
34	790-00087A	1		Bushing Housing
34	790-00138A	1	S	Bushing Housing (w/grease fitting hole)
35	790-00121	1		Shave Plate, 26"
35	790-00118	1		Shave Plate, 28"
38	790-00181	1		Drift Cutter - Optional
39	790-00091	1		Reversible Slide Shoe (steel)
40	737-3000	1	S	Grease Fitting (optional)
41	731-04870	1		Spacer 1.25 x .75 x 1.00
42	741-0661A	1	/P	Flange Bearing.75 ID x 1.0 OD x .975
43	746-04230	1		Auger Clutch Cable
44	784-5580	1		Slide Shoe
45	719-04291	1	S	RH Reduced Auger Housing
46	719-04292	1	S	LH Reduced Auger Housing
47	721-0338	1	S	Oil Seal .75 x 1.0 x .125
48	741-0662	1		Flange Bearing .75 ID x 1.00 OD x .50
49	710-0642	1	/P	Thd Forming Scr. 1/4-20 x .75
50	618-04172A	1	S	Auger Gearbox Assembly, 26"
50	618-04173A	1	S	Auger Gearbox Assembly, 28"
51	714-0161	1	S	Hi Pro Key 3/16 x 5/8
52	715-04021	1		Flange Bearing .75 ID x 1.2

31AH6WK3597 (2008)
Auger & Auger Housing

Page 3 of 16

Ref #	Part Number	Qty	S/P/F	Description
53	717-04126	1	S	Worm Shaft .75 OD
54	731-04449	1		Worm gear , 24" & 26"
54	731-0528A	1	S	Worm gear , 28" & 30"
55	718-04071	1		Thrust Collar
56	721-0325	1		Plug, 1/4 x .437
57	721-0327	1		Oil Seal .75 x 1 x .131
58	736-0351	1	S	Flat Washer .76 ID x 1.5 OD x .03
59	736-3084	1	/P	Fl. Washer .510 x 1.120 x .060
60	741-0663	1		Flange Bearing .75 ID x 1.0 OD x .925
61	736-0242	1	/P	Cupped Washer .345 ID x .88 OD x .060
62	721-0328	1		Loctite Sealant 5699
63	737-0168	1	S	Grease - Alvania EP Lead Free
64	731-05984	1	S	Reversible Slide Shoe (plastic)
65	710-0451	1	/P	Carriage Bolt 5/16-18 x .75 w/steel slide shoes
65	710-0276	1	/P	Carriage Bolt 5/16-18 x 1.0 w/plastic slide shoes



31AH6WK3597 (2008)
Chute Controls Assembly

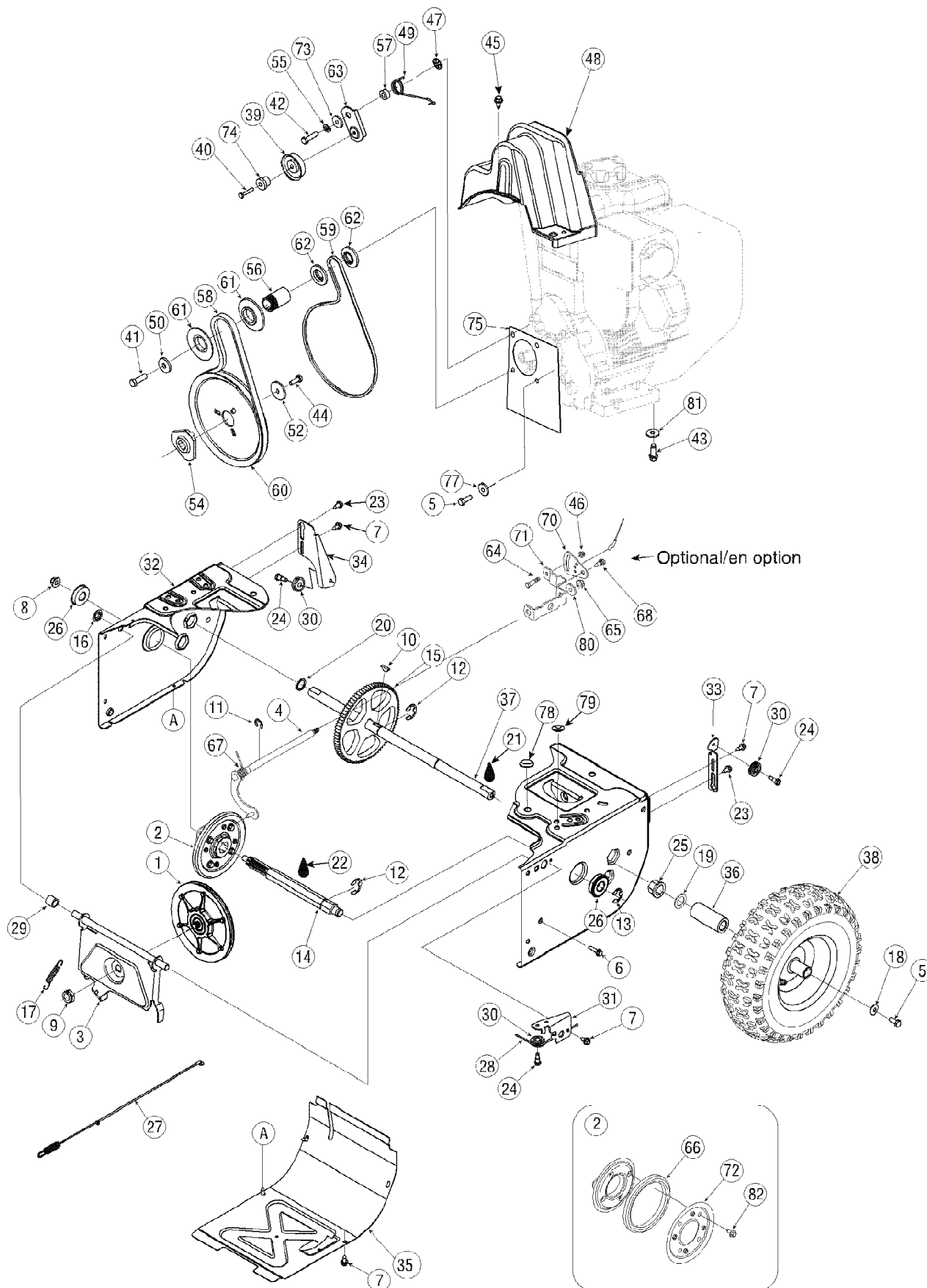
Page 5 of 16

Ref #	Part Number	Qty	S/P/F	Description
1	631-04131B	1	/P	Lower Chute (2 Way)
2	731-06440	1	S	Tall Lower Chute
3	684-04325	1	S	2 Way Chute Control Assembly
4	684-04331	1	S	4 Way Chute Control Assembly
5	710-0262	1	/P	Carriage Bolt 5/16-18 x 1.50 Gr. 2
6	710-04071	1		Carriage Screw 5/16-18 x 1.0
7	710-04187	1	/P	Hi-Lo Screw 1/4-15 x .5
8	710-0276	1	/P	Carriage Bolt 5/16-18 x 1.00" Lg
9	738-04194	1		Shoulder Screw .312 x 1.7:1/4-20
10	710-0895	1		Hex Tapp Scr 1/4 x .75" Lg.
11	711-04469A	1		Clevis Pin 3/8 x 1.87
12	714-04040	1		Bow Tie Cotter Pin
13	712-04063	1	/P	Flange Locknut 5/16-18 Gr. F Nylon
14	712-3087	1	/P	Wing Nut 1/4-20
15	731-04425B	1		Upper Chute w/Export Label, Remote
16	731-1313C	1	/P	Cable Guide
17	731-04869	1	S	Chute Flange Keeper
18	731-04912B	1	/P	Lower Chute
19	741-0475	1	S	Plastic Bushing .380 ID
20	720-0284	1	S	Handle Knob Assembly
21	784-5594	1		Cable Bracket Chute Tilt
22	712-04064	1	/P	Hex L-Flanged Nut 1/4-20 Gr. F Nylon
23	784-5647	1	S	Chute Crank Brkt.
24	790-00131	1	S	Bracket: Chute Control
25	736-0159	1	S	Flat Washer .349 ID x .879 OD x .063
26	684-04311	1		Support Bracket
27	710-04187	1	/P	Hi-Lo Screw 1/4-15 x .50
28	710-0606	1	/P	Hex Hd. Cap Screw 1/4-20 x 1.5 Gr. 5
29	710-0627	1	/P	Hex Hd. Cap Screw 5/16-24 x .75
30	736-0463	1	S	Flat Washer .25 ID x .63 OD x .0515
31	790-00341	1		Support Rod Bracket
32	720-04039	1		Knob
33	731-05307	1		Control Cover - 2 Way
34	710-0451	1	/P	Carriage Bolt 5/16-18 x .75
35	736-0413	1	/P	Spring Washer .390 x .625 x .012
36	738-04185	1		Flg Shlder Screw .310 x .995: 1/4-20
37	746-04238	1	S	Cable - w/standard chute
37	746-04527	1	S	Cable - w/tall chute
38	790-00200	1		Mounting Bracket - 2 Way
39	790-00210A	1		Lever - 2 Way
40	731-04354B	1	/P	Upper Chute
41	618-04748	1	S	Gearbox Assembly
42	710-1652	1	/P	Hex Wash Hd TT Scr. 1/4-20 x .625
43	731-06451	1		Cable Guide
44	726-0100	1	S	Push Nut 3/8" Rod
45	738-04367	1		Flg. Shoulder Screw .312 x 3.5: 1/4-20
46	714-0101	1	S	Internal Cotter Pin
47	710-04370	1		Hex. Hd. Cap Scr. 1/4-20 x 3.0 Gr. 5
48	747-05006	1	S	Chute Crank .375 Dia. x 30.5" Lg.
49	720-04102	1		Knob
50	736-0140	1	S	Flat Washer .385 x .62 x .063
51	710-04373A	1		Hi-Lo Screw #12-16 x .75
52	712-04065	1		Flange Locknut 3/8-16 Gr. F Nylon

31AH6WK3597 (2008)
Chute Controls Assembly

Page 6 of 16

Ref #	Part Number	Qty	S/P/F	Description
53	684-04336	1	S	Gear 23 teeth helical w/hub
54	717-04636	1	S	Worm Shaft
55	731-06618	1		Cover
56	732-0193	1	/P	Compression Spring .39 x .60 x .88
57	736-0267	1	S	Flat Washer .385 x .87 x .06
58	736-0290	1	/P	Flat Washer .625 x 1.0 x .067
59	741-0225	1	S	Hex Flg. Bearing
60	741-04354	1		Hex Bearing
61	790-00342	1	S	Chute Gear Rotation Bracket



31AH6WK3597 (2008)
Drive Assembly

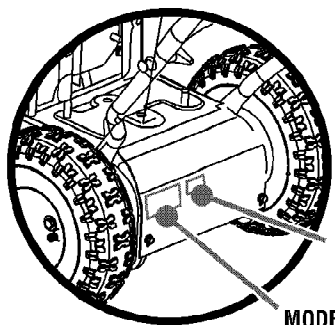
Page 8 of 16

Ref #	Part Number	Qty	S/P/F	Description
1	656-04025A	1	/P	Friction Wheel Disc Assembly
2	684-04153	1		Friction Wheel Ass'y, Bearing 5.5 OD
3	684-04154	1	S	Friction Wheel Support Brkt Ass'y
4	684-04156A	1		Shift Rod Ass'y
5	710-0627	1	/P	Hex L-Bolt 5/16-24 x .75 Gr. 5
6	710-0788	1	/P	Hex Bolt 1/4-20 x 1.00
7	710-1652	1	/P	Hex Wash Hd TT Scr. 1/4-20 x .625
8	712-04065	1	/P	Flange Lock-Nut 3/8-16 Gr. F Nylon
9	712-0417A	1	/P	Jam L-Nut 5/8-18
10	714-0126	1	S	#9 HI-Pro Key 3/16 x 3/4 Dia HT
11	716-0104	1	S	Retaining Ring
12	716-0136	1		Retainer Ring
13	716-0231	1	S	"E" Ring
14	717-04209A	1	S	Hex Shaft .8125 - 7 tooth
15	717-04230	1	S	Gear - 80 Tooth
16	726-0221	1	/P	Cap Speed Nut 1/4 Rod
17	732-0264	1	S	Extension Spring 3/8 OD x 2.50
18	736-0242	1	/P	Cupped Washer .345 ID x .88 OD x .060
19	736-0287	1	S	Flat Washer .79 ID x 1.25 OD x .06
20	736-04161	1		Flat Washer .75 x 1.00 x .06
21	737-0288	1		Grease
22	737-04166	1		Rust Preventative Oil
23	738-04184A	1		Shoulder Screw .373 x .105:TT 1/4-20
24	738-0924A	1	/P	Hex Shld.Scr.1/4-28 x .375
25	741-0245	1	S	Hex. Flange Bearing.751" ID
26	741-0563	1	S	Ball Bearing w/snap ring
27	746-04229	1		Drive Clutch Cable 44.83" Lg.
28	746-04230	1		Auger Clutch Cable 47.23" Lg.
29	748-0190	1	/P	Spacer .513 ID x 1.0
30	756-0625	1		Cable Guide Roller
31	790-00096	1	S	Auger Cable Guide Bracket
32	790-00180A	1		Frame
33	790-00206A	1	S	Guide Bracket - Auger Cable
34	790-00207B	1		Guide Bracket - Drive Cable
35	790-00316	1		Frame Cover
36	731-04873	1		Spacer
37	738-04168	1	S	Axle .75 X 22" Lg.
38	634-04145	1		Wheel Assembly 16 x 4.8 x 8 LH X-Trac
38	634-04146	1		Wheel Assembly 16 x 4.8 x 8 RH X-Trac
38	634-2038	1		Tire 16 x 4.8 Not shown
38	634-04173	1		Rim 16 x 4.8 Not shown
39	684-04169	1		Idler Pulley Assembly 1.917 OD
40	710-0809	1		Hex Screw 1/4-20 x 1.25
41	710-0191	1	/P	Hex Screw 3/8-24 x 1.25
42	710-0672	1	/P	Hex Hd Cap Scr. 5/16-24 x 1.25 Gr. 5
43	710-0654A	1	/P	Hex Wash HD Tap Scr 3/8-16 x .88
44	710-1245B	1	/P	Hex Bolt 5/16-24 x 0.875
45	710-1652	1	/P	Hex Wash Hd TT Scr. 1/4-20 x .625
46	712-04064	1	/P	Hex L-Flanged Nut 1/4-20 Gr. F Nylon
47	726-04012	1	S	Push Nut
48	731-04792A	1	/P	Belt Cover
48	731-05353	1		Belt Cover (w/4 way chute control)
49	732-04308A	1		Spring .850 ID x .354" Lg.

31AH6WK3597 (2008)
Drive Assembly

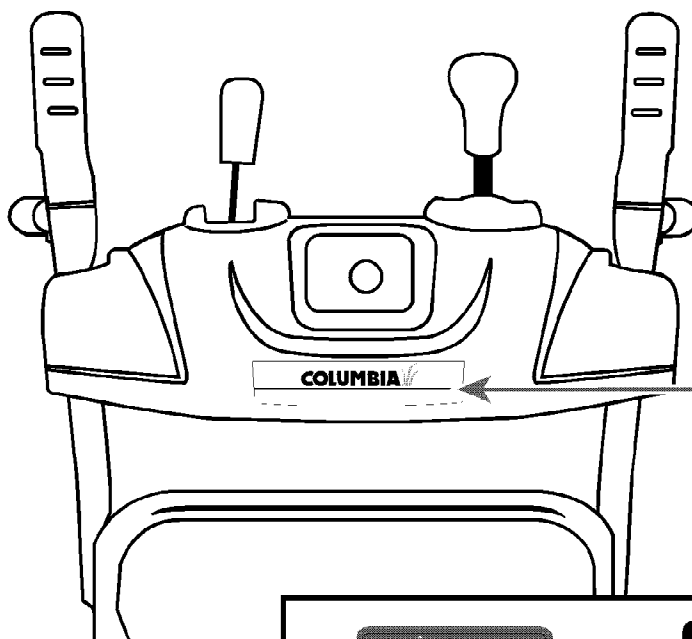
Page 9 of 16

Ref #	Part Number	Qty	S/P/F	Description
50	736-0247	1	/P	Flat Washer .40 ID x 1.25 OD x .160
51	736-0264	1	S	Flat Washer .330 ID x .630 OD x .0635 with MTD Engine Only
52	736-0505	1		Flat Washer .34 x 1.50 x .150
53	737-0318	1	S	Grease:Arctic:EP NLGI 1-58F
54	748-04053	1	S	Pulley Adapter
55	736-0119	1	S	Lockwasher 5/16
56	750-04303	1		Spacer .875 ID x 1.185 OD
57	750-04477A	1		Spacer .340 x .750 x .360" Lg.
58	754-04050	1	S	Belt .5 x 35.0" Lg.
59	754-0367	1	S	Belt 34.4" Lg.
60	756-04109	1		Auger Pulley
61	756-04113	1		Pulley Half
62	756-04252	1		Pulley Half 3/8 V x 1.71 OD
63	790-00208C	1	/P	Wheel Drive Idler Bracket
64	710-0751	1	/P	Hex Bolt 1/4-20 x .62 Gr. 5
65	712-04063	1	/P	Flange Locknut 5/16-18 Gr. F, Nylon
66	735-04054	1	S	Friction Wheel Rubber
67	732-04311	1		Torsion Spring .750 ID x .968" Lg.
68	738-04184A	1		Shoulder Screw .373 x .105:TT 1/4-20
69	710-04022	1		Hex. Hd. Cap Scr. M8-1.25:20 Gr. 8 with Engine Only
70	790-00217A	1	S	Pivot Bracket
71	790-00218A	1	S	Shift Bracket
72	790-00174	1		Friction Plate
73	748-04112B	1	/P	Shld. Spacer .3175 x .5 x .1025
74	750-04571	1		Spacer
75	790-00289A	1	S	Cover Plate (optional)
76	732-0705	1		Cable Control Wire
77	748-0234	1	/P	Shoulder Spacer
78	735-04100	1		Plug 1/2"
79	735-04099	1		Plug 3/8"
80	736-3015	1	S	Flat Washer .469 x .875 x .105
81	736-0320	1	/P	Flat Washer .38 x 1.38 x .125 (Rear left hole)
82	710-0896	1	/P	Hex Wash. Hd. TT Scr. 1/4-14 x .625



UPC LABEL

MODEL PLATE LABEL

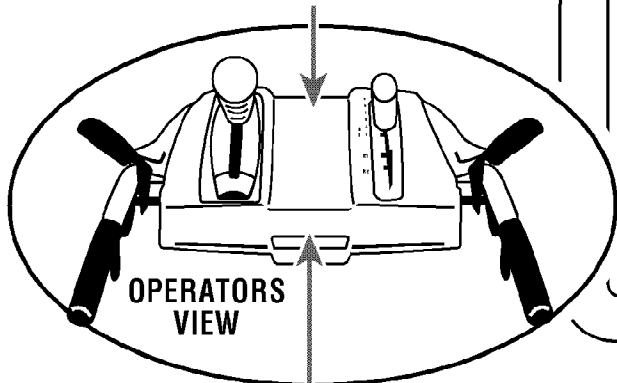


COLUMBIA

777CD30130



777CI00139



OPERATORS
VIEW

777CI00142



ARRÊT MARCHÉ

123035

777I23035



APPLY TO TAB ON ENGINE,
ABOVE ON/OFF SWITCH.
BRIGGS ENGINE.

VOLET DE
DÉPART MARCHÉ

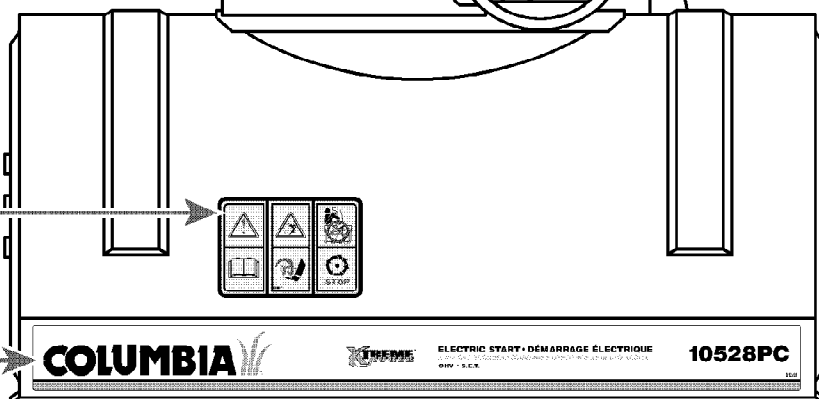
123037

777I23037

PLACE ON EXISTING
LABEL, ABOVE CHOKE KNOB.
COVER ICONS. BRIGGS ENGINE.

877I010009



777CS00071
LOCATE 0.50" BELOW BEND.
READ FROM FRONT.

777D12731

COLUMBIA

EXTREME

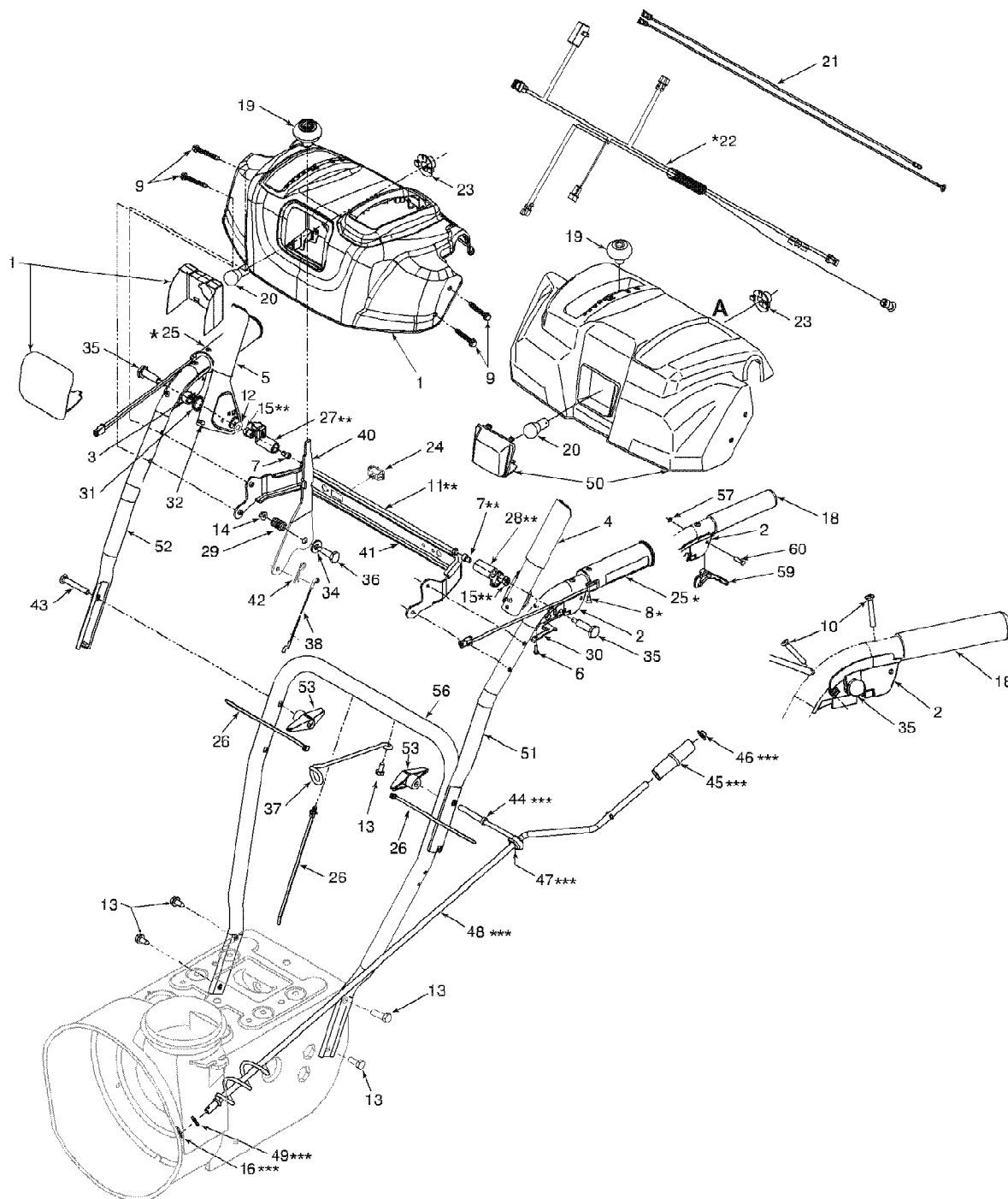
ELECTRIC START • DÉMARRAGE ÉLECTRIQUE

10528PC

31AH6WK3597 (2008)
Label Map

Page 11 of 16

Ref #	Part Number	Qty	S/P/F	Description
777CI00139	777CI00139	1		LABEL-SNOW:CNTRLPNL:STY 0:2-WAY 28-Inch Only
777CI00139	777S33143	1		LABEL-SNOW:CNTRL PNL K/P:2-W:CDN 26-Inch Only
777CI00142	777CI00142	1		LABEL-SNOW:CNTRLPNL:STY0:NON-STR
777CS00071	777CS00071	1		LABEL-DANGER AUGER
777D12731	777D12731	1		LABEL-SNOW:HSG:6ZK4:28:597 28-Inch Only
777D12731	777D12730	1		LABEL-SNOW:HSG:6WK3:26:597 26-Inch Only, Not shown
777I23035	777I23035	1		LABEL-SNOW:B&S ENG:ON/OFF:FRN:CDN
777I23037	777I23037	1		LABEL-SNOW:B&S EN:CHK/RUN:FRN:CDN
777CD30130	777CD30130	1		LABEL-SNOW:HNDLPNL:STY 0



31AH6WK3597 (2008)
Panel K Style Assembly

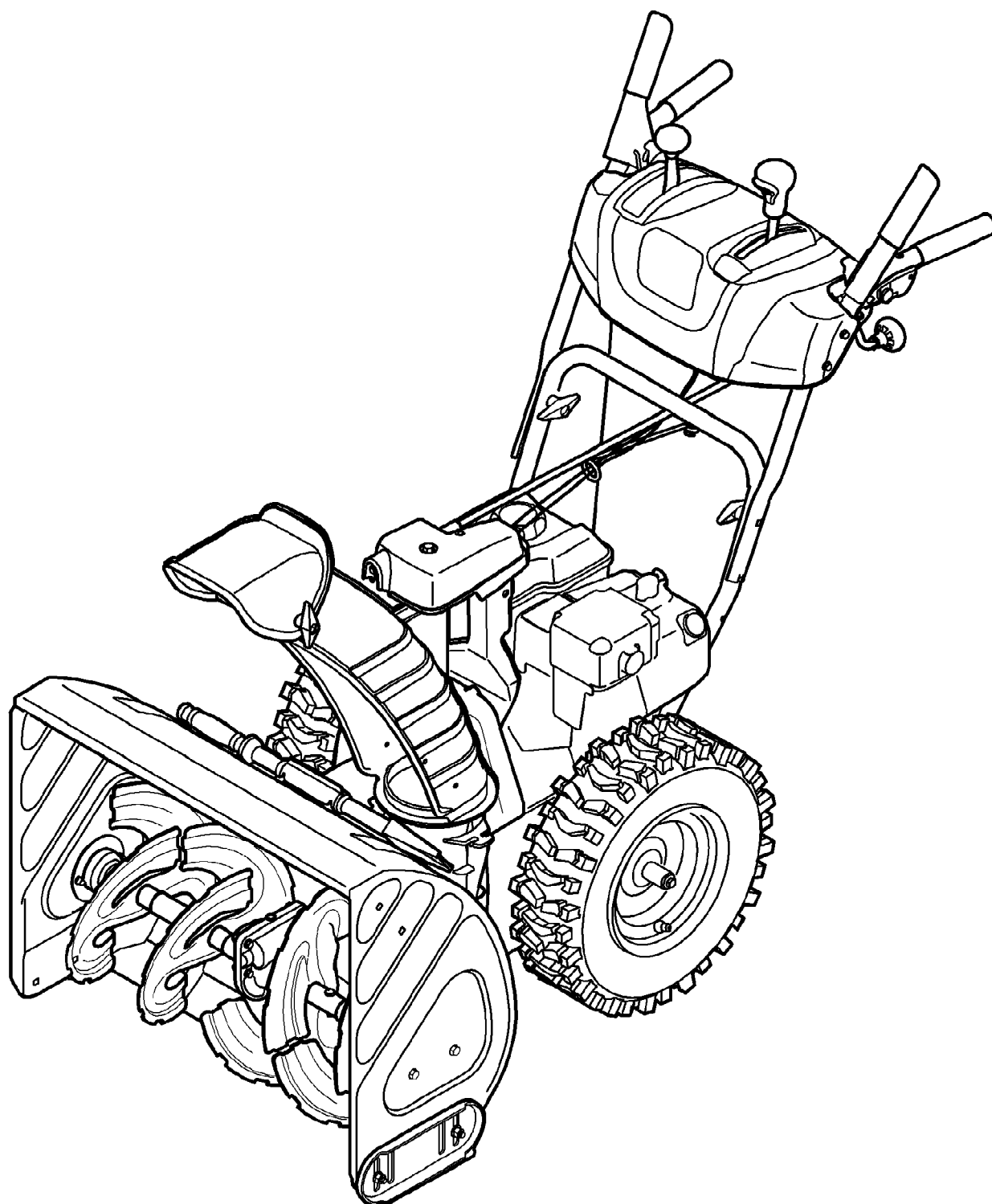
Page 13 of 16

Ref #	Part Number	Qty	S/P/F	Description
1	631-04180	1	/P	Handle Panel Ass'y - Yellow
1	631-04185	1	/P	Handle Panel Ass'y - Black
1	631-04183	1	S	Handle Panel Ass'y-Black w/Chute Control
2	631-04133A	1	/P	LH Clutch Lock Handle Ass'y
3	631-04134B	1		RH Clutch Lock Handle Ass'y
4	684-04105B	1	/P	Engagement Handle Assembly LH
5	684-04106B	1	/P	Engagement Handle Assembly RH
6	710-04326	1		Screw #8-16 x .50
7	710-3069	1	/P	Hex Cap Socket Screw 1/4-20 x .5
8	710-0837	1		Oval HD C-Sunk Scr #10 x 5/8
9	710-04586	1		Hex TT-Tap Scr 1/4-20 x 1.625
10	710-1233	1	/P	Oval C-Sunk Hd Screw 10-24 x 1.375
11	684-04250	1	/P	Pivot Rod
13	710-04484	1		Hex TT Screw 3/8-16 x .75
14	712-04064	1	/P	Hex L-Flanged Nut 1/4-20 Gr. F Nylon
15	712-04081A	1		Hex Shoulder Nut 1/4-20 with auger control lock
15	712-04064	1	/P	Hex L-Flg Nut 1/4-20 Gr. F Nylon without auger control lock
16	714-0104	1	S	Int. Cotter Pin .072 x 1.13" Lg.
18	720-0274	1	/P	Grip
19	720-04039	1		Shift Knob
19	720-04045	1		Shift Knob - Yellow
20	725-04213	1	S	Lamp #1295
21	725-04314	1		Wire Harness
21	625-04054	1		Wire Harness (w/sq. alternator connector)
22	725-04216A	1		Heated Grip Wire Harness
23	725-1649	1	S	Socket
24	725-04393	1		Switch
25	725-1757	1		Heated Grip
26	726-0154	1	S	Cable Tie (w/plug)
26	725-0157	1	/P	Cable Tie (w/heated grips)
27	731-04894D	1	/P	Lock Plate with auger control lock
28	731-04896B	1	/P	Clutch Lock Cam with auger control lock
29	732-0193	1	/P	Compression Spring .38 ID x .88 Lg
30	732-04219C	1	/P	Spring: Clutch Lock
31	732-04238	1		Torsion Spring .8156 x .3038
32	735-0199A	1	S	Rubber Bumper
34	736-0267	1	S	Flat Washer .38 ID x .87 OD x .09
35	738-04348	1	/P	Shoulder Screw .437 x 1.345: 1/4-20
36	738-04125	1		Shoulder Screw .374 Dia. x 1.05 Lg.
37	747-04784	1		Cable Guide (W/B&S engine)
38	746-04396	1	S	Selector Speed Cable
40	790-00311	1	S	Shift Lever
41	790-00248B	1	S	Panel Support
42	714-0145	1	S	Cotter Pin
43	710-0449	1	S	Carriage Bolt 5/16-18 x 2.25
44	747-04263	1		Chute Crank Eye Bolt Special with manual chute crank
45	720-0201A	1	/P	Knob 1.0 x 3.2 with manual chute crank
46	726-0100	1	S	Push Nut 3/8" Rod with manual chute crank

31AH6WK3597 (2008)
Panel K Style Assembly

Page 14 of 16

Ref #	Part Number	Qty	S/P/F	Description
47	735-0234	1		Grommet with manual chute crank
48	684-04104	1	S	Chute Crank Assembly with manual chute crank
49	736-0185	1	S	Flat Washer .406" I.D. x .75" O.D. with manual chute crank
50	631-04181	1	S	Handle Panel Ass'y - Troy-Bilt
51	749-04191A	1		Upper Handle LH
52	749-04190A	1	/P	Upper Handle RH
53	720-0284	1	S	Handle Knob Assembly
56	749-04138A	1	/P	Lower Handle
57	716-04036	1		E Ring
59	731-04913	1		Steering Control
60	738-04126	1		Pin 3/16



31AH6WK3597 (2008)
Quick Reference

Page 16 of 16

Ref #	Part Number	Qty	S/P/F	Description
	759-3336	1	/P	Spark Plug
	BS-695756	1	S	Key 26-Inch Unit Only
	BS-794696	1	/P	Key 28-Inch Unit Only
	N/A	1		Extension Cord
	731-2643	1	S	Snow Removal Tool
	746-04229	1		Drive Cable
	746-04230	1		Auger Cable
	746-04396	1	S	Speed Selector Cable
	746-04238	1	S	Chute Cable
	684-04107	1		Auger Assembly - LH
	684-04108	1		Auger Assembly - RH
	790-00121	1		Shave Plate - 26-Inch
	790-00118	1		Shave Plate - 28-Inch
	684-04057A	1	S	Impeller Assembly
	790-00091	1		Slide Shoe
	738-04124A	1	/P	Shear Pin
	714-04040	1		Bow Tie Cotter Pin
	725-04213	1	S	Lamp
	754-04050	1	S	Auger Belt
	754-0367	1	S	Wheel Belt
	N/A	1		Spiral Crescent
	N/A	1		Rubber Paddle
	656-04025A	1	/P	Friction Wheel
	735-04054	1	S	Friction Wheel Rubber
	634-04145	1		Wheel - LH
	634-04146	1		Wheel - RH