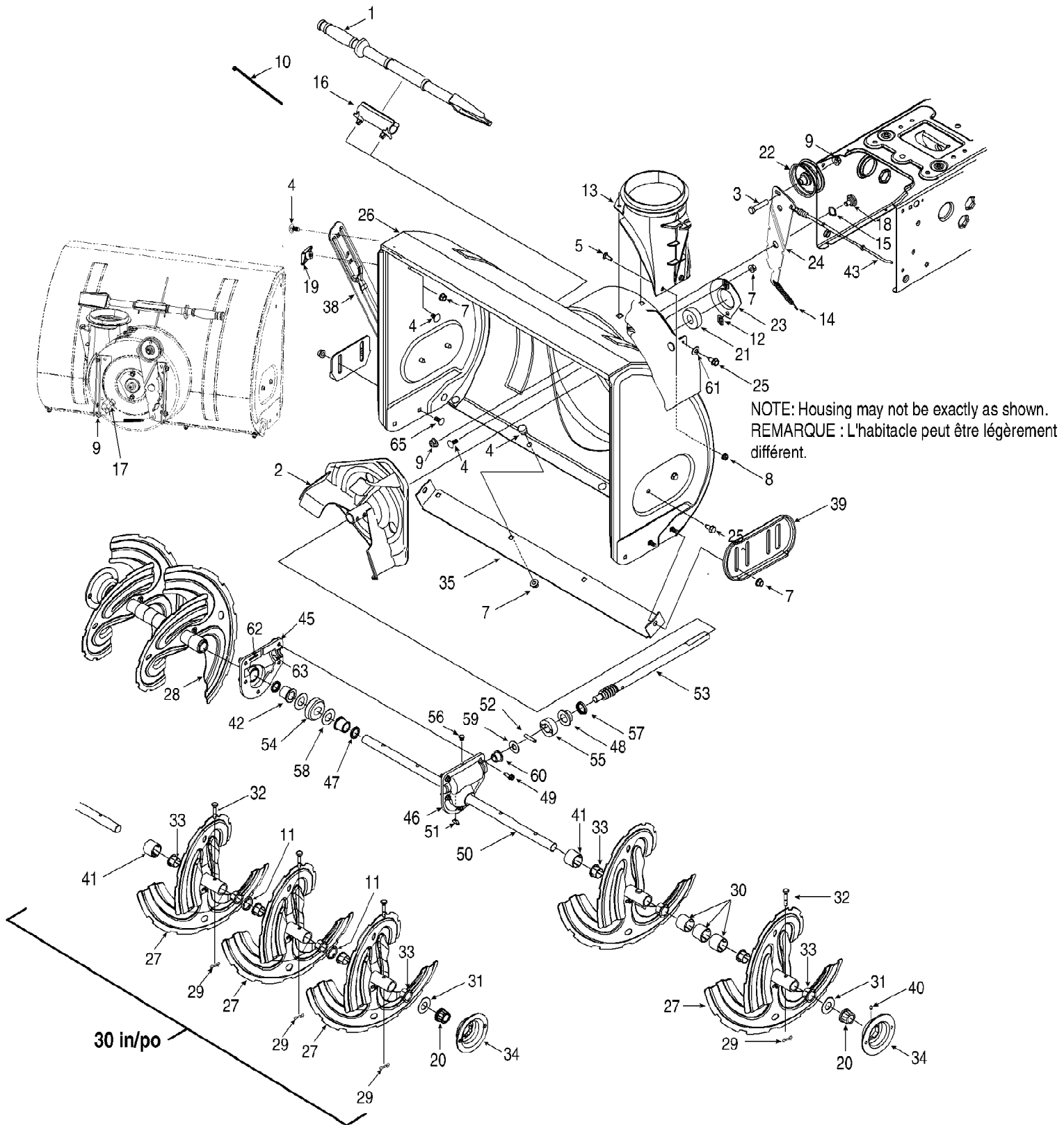


31AH54K3897 (2009)
Auger & Housing Assembly



31AH54K3897 (2009)
Auger & Housing Assembly

Page 2 of 25

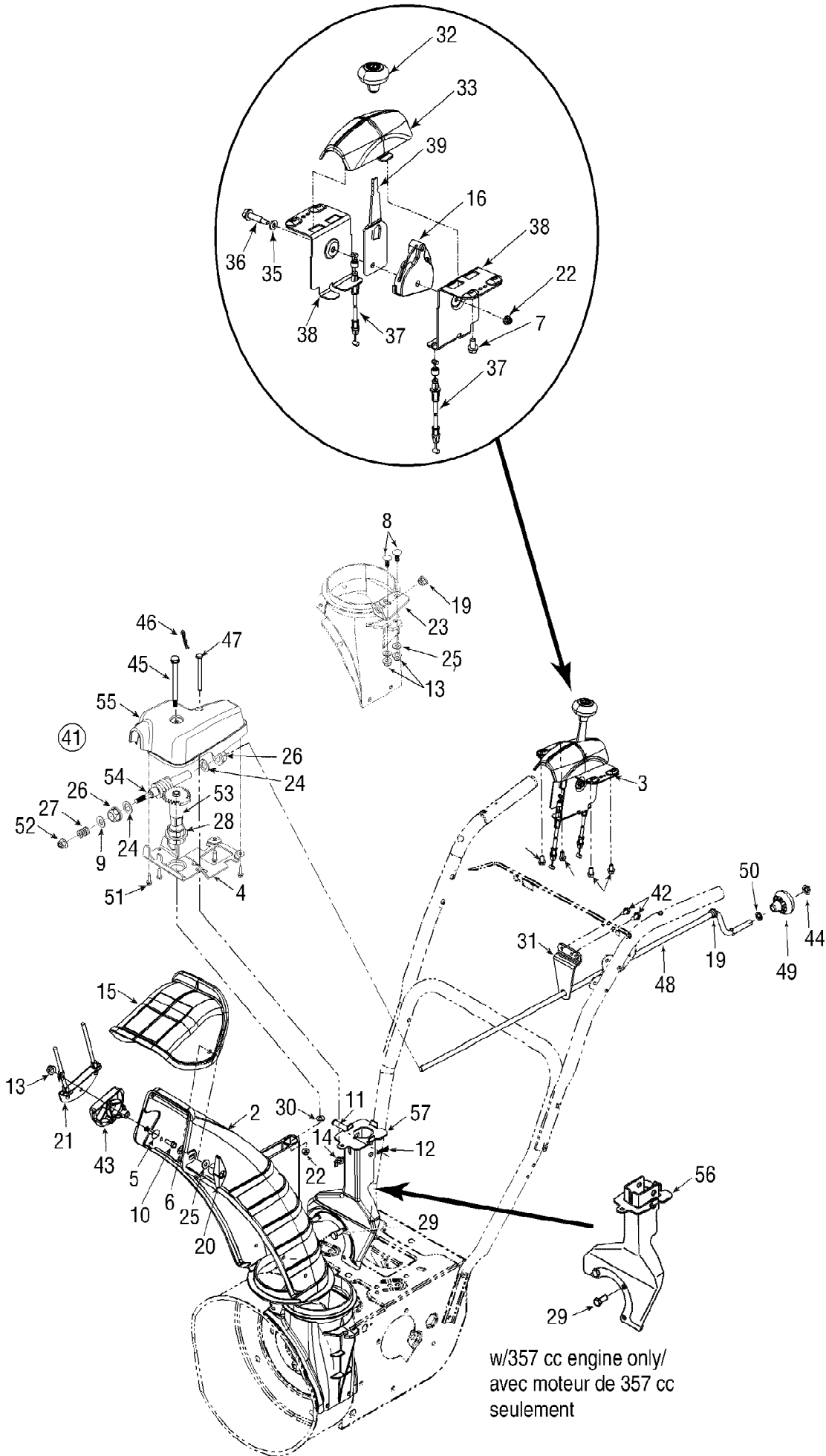
Ref #	Part Number	Qty	S/P/F	Description
1	731-2643	1	S	Clean-Out Tool
2	684-04057A-0637	1	/P	Impeller Ass'y 12 po
3	710-0347	1	/P	Hex Screw 3/8-16 x 1.75
4	710-0451	1	/P	Carriage Bolt 5/16-18 x .75
5	710-0703	1	/P	Carriage Screw 1/4-20 x .75 Gr. 5
7	712-04063	1	/P	Flange Locknut 5/16-18 Gr. F Nylon
8	712-04064	1	/P	Hex L-Flanged Nut 1/4-20 Gr. F Nylon
9	712-04065	1	/P	Hex L-Flanged Nut 3/8-16 Gr. F Nylon
10	725-0157	1	/P	Cable Tie
11	731-04871	1		Spacer 1.25 x .75 x 3/16" Lg.
12	926-04012	1	/P	Push-on Nut .25 dia.
13	731-04705C	1	/P	Chute Adapter (w/one pc chute crank)
14	732-04460	1		Extension Spring .38 OD x 4.59" Lg.
15	736-0174	1	/P	Wave Washer .660 ID x .88 OD x .010
16	731-2635	1		Cleanout Tool Mount
17	738-0143	1	/P	Shld. Scr. .500 Dia. x .335" Lg.
18	938-0281	1	/P	Shoulder Scr .625 Dia x .170
19	720-04072A	1	/P	Hand Knob
20	941-0245	1	/P	Hex. Flange Brg. .751" I.D.
21	941-0309	1	/P	Self-aligning Bearing
22	756-04224	1	/P	Flat Idler Pulley 2.75" OD
23	790-00075	1		Bearing Housing 1.85 ID
24	790-00080A-0637	1	/P	Auger Idler Brake Bracket
25	710-04484	1		Hex TT Screw 3/8-16 x .75
26	684-04265-0606	1		Auger Housing - 24" Models
26	684-04264-0606	1		Auger Housing - 26" Models
26	684-04268-0606	1		Auger Housing - 28" Models
26	684-04267-0606	1		Auger Housing - 30" Models
27	684-04107-0637	1		Spiral Ass'y LH
28	684-04108-0637	1		Spiral Ass'y RH
29	714-04040	1		Bow Tie Cotter Pin
30	731-04870	1		Spacer 1.25 x .75 x 1.00 - 24-28" Models
30	731-04871	1		Spacer 1.25 x .75 x 2.00 - 30" Models
31	736-0188	1	/P	Flat Washer .760 ID x 1.49 OD
32	738-04124A	1	/P	Shear Pin .25 x 1.5 Gr. 2
33	741-0493A	1	/P	Flange Bushing
34	790-00087A-0637	1	/P	Bushing Housing
35	790-00120	1		Shave Plate 24" Models
35	790-00121	1		Shave Plate 26"Models
35	790-00118	1		Shave Plate 28" Models
35	790-00119	1		Shave Plate 30" Models
38	790-00181-0606	1		Drift Cutter - Optional
39	790-00091-0606	1		Reversible Slide Shoe (steel)
40	937-3000	1	/P	Grease Fitting Optional
41	731-04870	1		Spacer 1.25 x .75 x 1.00
42	741-0661A	1	/P	Flange Bearing.75 ID x 1.0 OD x .975
43	746-04230	1		Auger Clutch Cable
45	918-0123A	1	/P	RH Reduced Auger Housing
46	918-0124A	1	/P	LH Reduced Auger Housing
47	921-0338	1	/P	Oil Seal .75 x 1.0 x .125
48	741-0662	1		Flange Bearing .75 ID x 1.00 OD x .50
49	710-0642	1	/P	Thd Forming Scr. 1/4-20 x .75
50	711-04285	1		Auger Adapter 24" Models

31AH54K3897 (2009)
Auger & Housing Assembly

Page 3 of 25

Ref #	Part Number	Qty	S/P/F	Description
50	711-04284	1		Auger Axle 26" Models
50	711-04283	1		Auger Axle 28" Models
50	711-04282	1		Auger Axle 30" Models
51	914-0161	1	/P	Hi Pro Key 3/16 x 5/8
52	715-04021	1		Dowel Pin .25 OD x 1.2
53	917-04126	1	/P	Worm Shaft .75 OD
54	717-04449	1	S	Worm Gear 24"-26" Models
54	917-0528A	1	/P	Worm Gear 28"-30" Models
55	718-04071	1		Thrust Collar
56	721-0325	1		Plug, 1/4 x .437
57	721-0327	1		Oil Seal .75 x 1 x .131
58	936-0351	1	/P	Flat Washer .76 ID x 1.5 OD x .03
59	736-3084	1	/P	Fl. Washer .510 x 1.120 x .060
60	741-0663	1		Flange Bearing .75 ID x 1.0 OD x .925
61	736-0242	1	/P	Cupped Washer .345 ID x .88 OD x .060
62		1		Loctite Sealant 5699 Purchase locally
63	737-0168A	1	/P	Grease - Alvania EP Lead Free
65	710-0451	1	/P	Carriage Bolt 5/16-18 x .75 (w/steel slide shoes)
67	936-0159	1	/P	Flat Washer .349 ID x .879 OD x .063
	618-04171A	1	S	Gear Box Assembly - 24" Models Not Shown
	618-04172A	1	S	Gear Box Assembly - 26" Models Not Shown
	618-04173A	1	S	Gear Box Assembly - 28" Models Not Shown
	618-04165A	1	S	Gear Box Assembly - 30" Models Not Shown

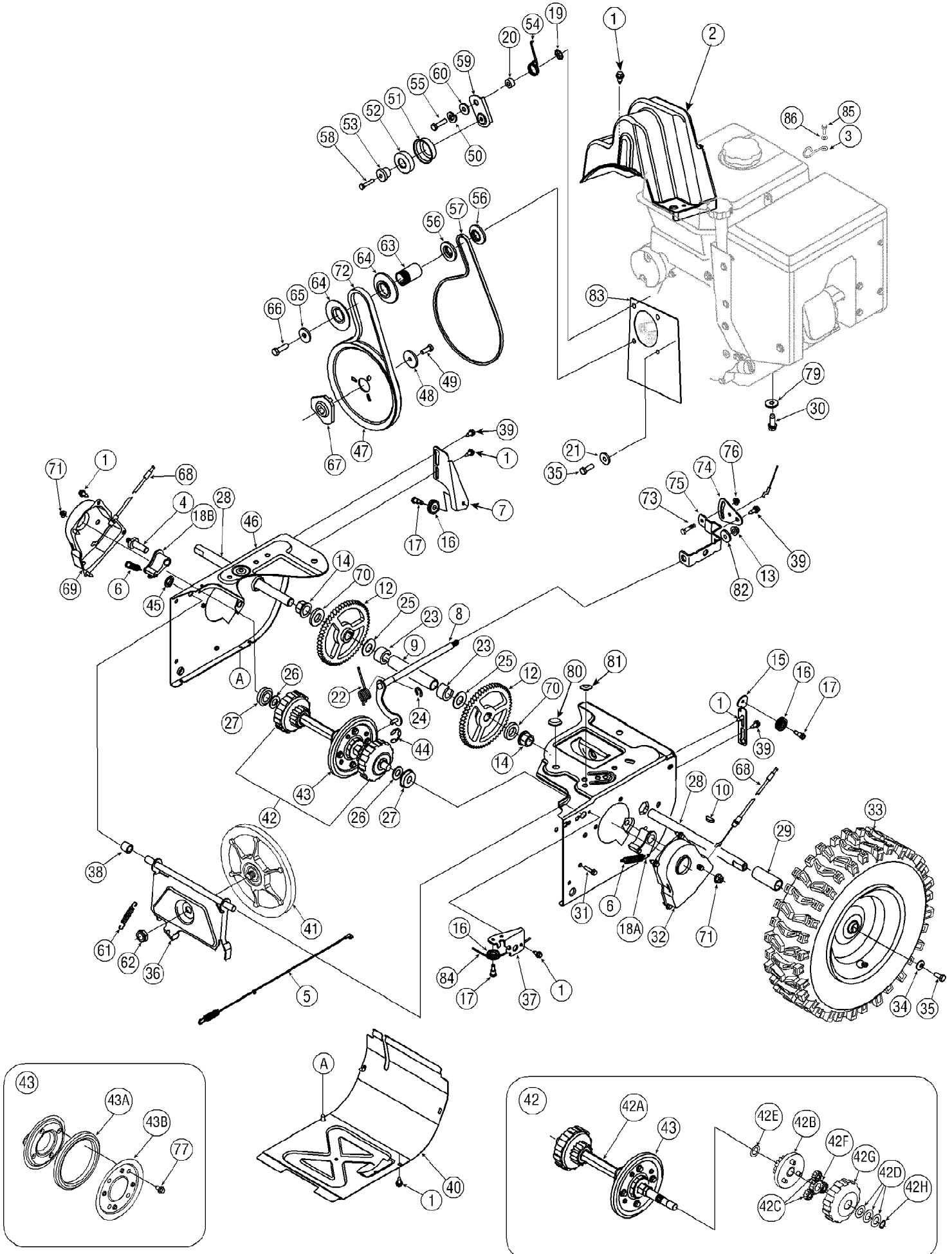
31AH54K3897 (2009)
Chute Assembly



31AH54K3897 (2009)
Chute Assembly

Page 5 of 25

Ref #	Part Number	Qty	S/P/F	Description
2	731-06440A	1	/P	Tall Lower Chute
3	984-04325	1	/P	2 Way Chute Control Assembly
4	790-00342A-0637	1	/P	Chute Gear Rotation Bracket
5	710-0262	1	/P	Carriage Bolt 5/16-18 x 1.50 Gr. 2
6	710-04071	1		Carriage Screw 5/16-18 x 1.0
7	710-04187	1	/P	Hi-Lo Screw 1/4-15 x .5
8	710-0276	1	/P	Carriage Bolt 5/16-18 x 1.00" Lg
9	736-0267	1	S	Flat Washer .385 x .87 x .06
10	710-0895	1		Hex Tapp Scr 1/4 x .75" Lg.
11	711-04469A	1		Clevis Pin 3/8 x 1.87
12	714-04040	1		Bow Tie Cotter Pin
13	712-04063	1	/P	Flange Locknut 5/16-18 Gr. F Nylon
14	712-3087	1	/P	Wing Nut 1/4-20
15	731-04425B	1		Upper Chute w/Export Label, Remote
19	941-0475	1	/P	plastic Bushing .380 ID
20	720-04072A	1	/P	Handle Knob Assembly
21	784-5594-0637	1	/P	Cable Bracket Chute Tilt
22	712-04064	1	/P	Hex L-Flanged Nut 1/4-20 Gr. F Nylon
23	784-5647-0637	1	/P	Chute Crank Brkt.
24	736-0290	1	/P	Flat Washer .625 x 1.0 x .067
25	936-0159	1	/P	Flat Washer .349 ID x .879 OD x .063
26	941-0225	1	/P	Hex Flg. Bearing
27	732-0193	1	/P	Compression Spring .39 x .60 x .88
28	741-04354	1		Hex Bearing
29	710-0627	1	/P	Hex Hd. Cap Screw 5/16-24 x .75
30	736-04446	1		Flat Washer .25 ID x .63 OD x .0515 HT.
31	790-00341-0637	1		Support Rod Bracket
32	720-04039	1		Knob
33	731-05307	1		Control Cover - 2 Way
35	736-0413	1	/P	Spring Washer .390 x .625 x .012
36	738-04185	1		Flg Shlder Screw .310 x .995: 1/4-20
37	946-04527	1	/P	Cable - w/tall chute
38	790-00200-0637	1		Mounting Bracket - 2 Way
39	790-00210A-0637	1		Lever - 2 Way
41	918-04748	1	/P	Gearbox Assembly
42	710-1652	1	/P	Hex Wash Hd TT Scr. 1/4-20 x .625
43	731-06451	1		Cable Guide
44	926-0100	1	/P	Push Nut 3/8" Rod
45	738-04367	1		Flg. Shoulder Screw .312 x 3.5: 1/4-20
46	914-0101	1	/P	Internal Cotter Pin
47	710-04370	1		Hex. Hd. Cap Scr. 1/4-20 x 3.0 Gr. 5
48	747-05006-0637	1	/P	Chute Crank .375 Dia. x 30.5" Lg.
49	720-04102	1		Knob
50	936-0185	1	/P	Flat Washer .375 x .738 x .063
51	710-04373A	1		Hi-Lo Screw #12-16 x .75
52	712-04065	1	/P	Hex L-Flanged Nut 3/8-16 Gr. F Nylon
53	684-04336A	1	/P	Gear 23 teeth helical w/hub
54	917-04636	1	/P	Worm Shaft
55	731-06618	1		Cover
56	684-04310A-0637	1	/P	Chute Sup. Bkt. Ass'y (w/357 cc engine only)
57	684-04311A-0637	1	/P	Chute Support Bracket Ass'y



31AH54K3897 (2009)
Drive Assembly

Page 7 of 25

Ref #	Part Number	Qty	S/P/F	Description
1	710-1652	1	/P	Hex Wash Hd TT Scr. 1/4-20 x .625
2	731-06401	1		Belt Cover (w/277 cc - 357 cc engines) 31AH Models
2	731-05353	1		Belt Cover (w/208 cc engine) 31AM Models
3	732-04677	1		Cable Control Wire
4	711-1268B	1		Drive Shaft Actuator
5	746-04229	1		Drive Clutch Cable 44.83" Lg.
6	732-04345	1		Extension Spring .5 OD x 1.71 Lg.
7	790-00207B	1		Guide Bracket - Drive Cable
8	684-04156A	1		Shift Rod Ass'y
9	750-04474	1		Axle Support Tube
10	914-0126	1	/P	#9 HI-Pro Key 3/16 x 3/4 Dia HT
12	917-04210	1	/P	Gear, 56T
13	712-04063	1	/P	Flange Lock-Nut 5/16-18 Gr. F Nylon
14	941-0245	1	/P	Hex. Flange Bearing.751" ID
15	790-00206A-0637	1	/P	Guide Bracket - Auger Cable
16	756-0625	1		Cable Guide Roller
17	738-0924A	1	/P	Hex Shld.Scr.1/4-28 x .375
18A	618-04288	1		Dogg Assembly - LH
18B	618-04287	1		Dogg Assembly - RH
19	926-04012	1	/P	Push Nut
20	750-04477A	1		Spacer .340 x .750 x .360" Lg.
21	748-0234	1	/P	Shoulder Spacer
22	732-04311	1		Torsion Spring .750 ID x .968" Lg.
23	731-05297	1		Spacer
24	916-0104	1	/P	Retaining Ring
25	736-0188	1	/P	Flat Washer .760 ID x 1.49 OD
26	736-0626	1		Flat Washer .580 x 1.125 x .080
27	741-04076	1		Ball Bearing
28	938-04180	1	/P	Axle
29	731-04873	1		Wheel Spacer 1.25 x .75 x 3.00
30	710-0654A	1	/P	Hex Wash HD Tap Scr 3/8-16 x .88
31	710-0788	1	/P	Hex Bolt 1/4-20 x 1.00
32	790-00185-0691	1		Shaft Retainer - LH
33	634-04145-0911	1		Wheel Assembly - LH - 26" Models
33	634-04146-0911	1		Wheel Assembly - RH - 26" Models
33	734-2038-0901	1	/P	Tire - 26" Models Not shown
33	634-04173-0662	1	/P	Rim - 26" Models Not shown
33	634-04136-0911	1		Wheel Assembly - LH - 28" & 30 Models
33	634-04137-0911	1		Wheel Assembly - RH - 28" & 30 Models
33	734-2031	1		Tire - 28" & 30 Models Not shown
33	634-04174-0662	1		Rim - 28" & 30 Models Not shown
33	634-04147A-0911	1		Wheel Assembly - LH - 24" Models
33	634-04148A-0911	1		Wheel Assembly - RH - 24" Models
33	734-04012-0901	1	/P	Tire - 24" Models Not shown
33	634-04172A-0662	1	/P	Rim - 24" Models Not shown
33	734-0255	1	S	Air Valve Not shown
34	736-0242	1	/P	Cupped Washer .345 ID x .88 OD x .060
35	710-1245B	1	/P	Hex L-Bolt 5/16-24 x .875 Gr. 8
36	684-04154-0637	1	S	Friction Wheel Support Brkt Ass'y
37	790-00096-0637	1	/P	Auger Cable Guide Bracket
38	748-0190	1	/P	Spacer .513 ID x 1.0

31AH54K3897 (2009)
Drive Assembly

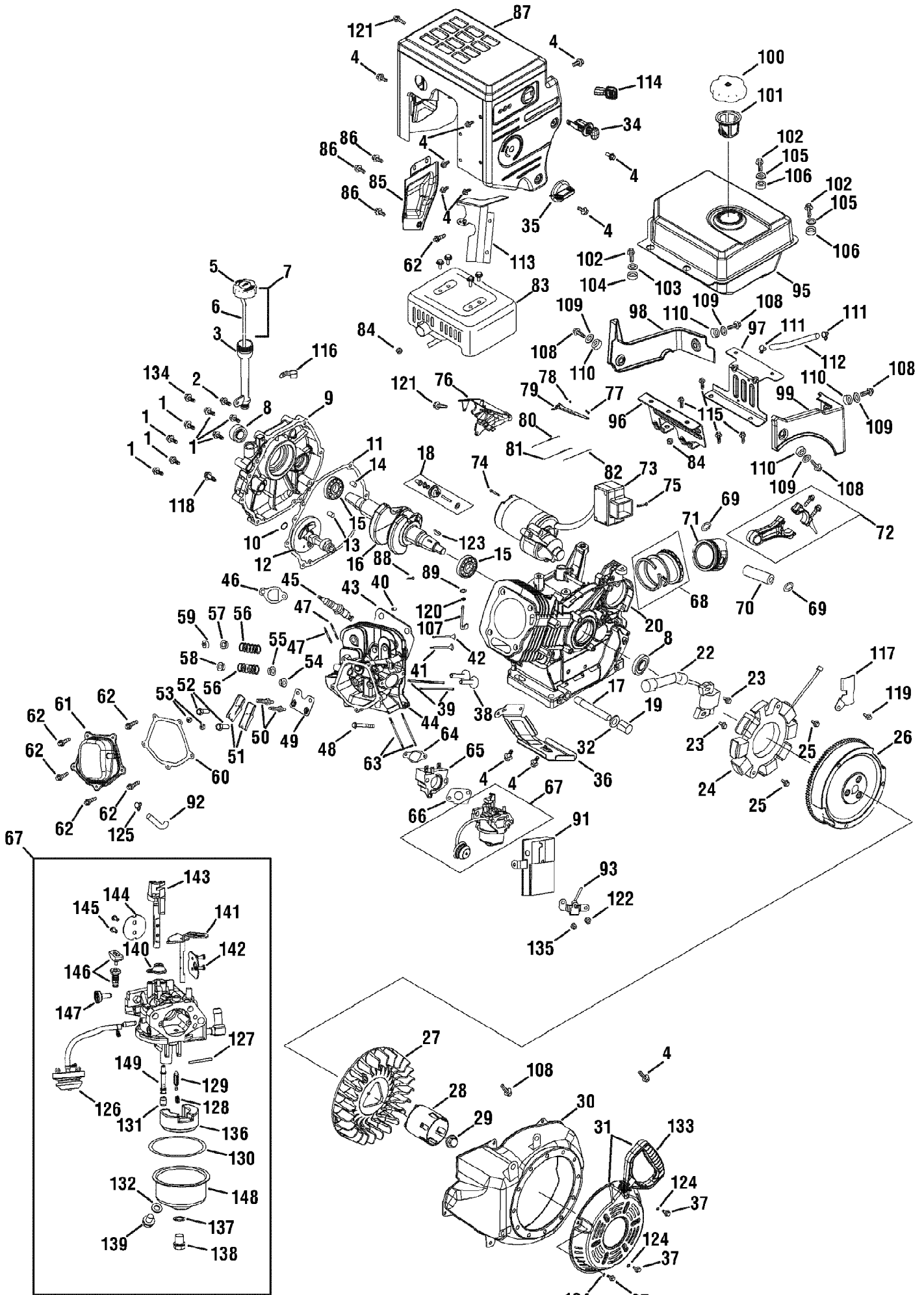
Page 8 of 25

Ref #	Part Number	Qty	S/P/F	Description
39	738-04184A	1		Shoulder Screw .373 x .105:TT 1/4-20
40	790-00316-0606	1		Frame Cover
41	656-04025A	1	/P	Friction Wheel Disc Assembly
42	918-04322A	1	/P	Drive Shaft Assembly (w/o Friction Wheel Ass'y)
42A	711-04416A	1		Hex Drive Shaft (500)
42B	918-04284	1	/P	Planetary Car rier Ass'y
42C	717-1209A	1	/P	Gear 12T
42D	936-0502	1	/P	Flat Washer .58 x 1.12 x .02
42E	936-0336	1	/P	Flat Washer 5/8 ID x 1.0 OD
42F	717-1210A	1	/P	Gear 18T
42G	918-04285	1	/P	Ring Planetary Gear Ass'y (500)
42H	716-0194	1	/P	Retaining Ring 1.56 diam.
43	684-04159	1		Friction Wheel Assembly
43A	935-04054	1	/P	Friction Wheel Rubber
43B	790-00174	1		Friction Plate
44	716-0136	1		Retainer Ring
45	726-0221	1	/P	Cap Speed Nut 1/4 Rod
46	790-00183B-0606	1		Wheel Drive Frame
47	756-04109	1		Auger Pulley
48	736-0505	1		Flat Washer .34 x 1.50 x .150
49	710-1245B	1	/P	Hex Bolt 5/16-24 x 0.875
50	936-0119	1	/P	L-Wash 5/16 ID
51	790-00230	1		Bearing Sleeve
52	941-0919	1	/P	Ball Bearing 20 x 47 x 14:6204:DS
53	750-04571	1		Spacer
54	732-04308A	1	/P	Torsion Spring .850 ID x .354" Lg.
55	710-0672	1	/P	Hex HD. Cap Scr. 5/16-24 x 1.25 Lg.
56	756-04252	1		Pulley Half
57	954-0367	1	/P	Belt 3/8 X 34.4" Lg.(w/208 cc engine) 31AM Models
57	954-04201	1	S	Belt 3/8 X 35.68" Lg.(w/277cc - 357cc engines) 31AH Models
58	710-0809	1		Hex Bolt 1/4-20 x 1.25
59	790-00208C	1	/P	Wheel Drive Idler Bracket
60	748-04112B	1	/P	Shoulder Spacer
61	932-0264	1	/P	Extension Spring 3/8 OD x 2.50
62	712-0417A	1	/P	Jam L-Nut 5/8-18 Gr. 5 Nylon
63	750-04303	1		Spacer .875 ID x 1.185 OD
64	756-04113	1		Pulley Half
65	736-0247	1	/P	Flat Washer .40 ID x 1.25 OD x .160
66	710-0191	1	/P	Hex Screw 3/8-24 x 1.25
67	748-04053A	1	/P	Pulley Adapter
68	946-0956B	1	/P	Steering Cable
69	790-00186-0691	1		Shaft Retainer - RH
70	750-0767	1		Axle Spacer
71	712-04065	1	/P	Flange Lock-Nut 3/8-16 Gr. F Nylon
72	954-04050	1	/P	Belt .5 x 35.0" Lg. (w/208 cc engine) 31AM Models

31AH54K3897 (2009)
Drive Assembly

Page 9 of 25

Ref #	Part Number	Qty	S/P/F	Description
72	954-04195	1	/P	Belt .5 x 37.0 (w/277cc - 357cc engines) 31AH Models
73	710-0751	1	/P	Hex Bolt 1/4-20 x .62 Gr. 5
74	790-00217A-0637	1	/P	Pivot Bracket
75	790-00218A-0637	1	/P	Shift Bracket
76	712-04064	1	/P	Flange Lock-Nut 1/4-20 Gr. F Nylon
77	710-0896	1	/P	Hex Wash. Hd. TT Scr. 1/4-14 x .625
79	736-0320	1	/P	Flat Washer .38 x 1.38 x .125 (Rear left hole)
80	735-04100	1		Plug 1/2"
81	735-04099	1		Plug 3/8"
82	936-3015	1	/P	Flat Washer .469 x .875 x .105
83	790-00289A-0637	1	/P	Cover Plate (optional)
84	746-04230	1		Auger Clutch Cable 47.23" Lg.
85	710-04022	1		Hex. Hd. Cap Scr. M8-1.25:20 Gr. 8
86	936-0264	1	/P	Flat Washer .330 ID x .630 OD x .0635



31AH54K3897 (2009)
Engine Assembly 478-SU

Page 11 of 25

Ref #	Part Number	Qty	S/P/F	Description
1	710-04971	1		Flange Bolt
1	710-04971	7		Flange Bolt Furnish 951-11228, Crankcase Cover Kit
1	710-04971	1		Flange Bolt Furnish 951-11187, Short Block Assembly
2	710-04968	1	/P	Flange Bolt
2	710-04968	1	/P	Flange Bolt Furnish 951-11187, Short Block Assembly
3	951-11206	1	/P	Dipstick Tube
4	710-04915	1		Flange Bolt
5	N/A	1		Oil Cap Furnish 951-11205, Dipstick Assembly
6	N/A	1		Dipstick Furnish 951-11205, Dipstick Assembly
7	951-11205	1	/P	Dipstick Assembly (Incl. Ref No. 5,6)
8	951-11372	1	/P	Crankshaft Oil Seal
8	951-11372	1	/P	Crankshaft Oil Seal Furnish 951-11228, Crankcase Cover Kit
8	951-11372	2	/P	Crankshaft Oil Seal Furnish 951-11229, Crankshaft Kit
8	951-11372	1	/P	Crankshaft Oil Seal Furnish 951-11230, Crankcase Kit
8	951-11372	1	/P	Crankshaft Oil Seal Furnish 951-11209, Gasket Kit Complete
8	951-11372	2	/P	Crankshaft Oil Seal Furnish 951-11187, Short Block Assembly
9	N/A	1		Crankcase Cover Furnish 951-11228, Crankcase Cover Kit
9	N/A	1		Crankcase Cover Furnish 951-11187, Short Block Assembly
10	N/A	1		Flat Washer Furnish 951-11228, Crankcase Cover Kit
10	N/A	1		Flat Washer Furnish 951-11187, Short Block Assembly
11	951-11374	1	/P	Crankcase Cover Gasket
11	951-11374	1	/P	Crankcase Cover Gasket Furnish 951-11228, Crankcase Cover Kit
11	951-11374	1	/P	Crankcase Cover Gasket Furnish 951-11209, Gasket Kit Complete
11	951-11374	1	/P	Crankcase Cover Gasket Furnish 951-11187, Short Block Assembly
11	951-11374	1	/P	Crankcase Cover Gasket Furnish 951-11210, Gasket Kit External

31AH54K3897 (2009)
Engine Assembly 478-SU

Page 12 of 25

Ref #	Part Number	Qty	S/P/F	Description
12	N/A	1		Camshaft Assembly Furnish 951-11187, Short Block Assembly
13	715-04102	1		Dowel Pin
13	715-04102	1		Dowel Pin Furnish 951-11187, Short Block Assembly
14	715-04096	1		Dowel Pin
14	715-04096	1		Dowel Pin Furnish 951-11187, Short Block Assembly
15	951-11373	1	/P	Ball Bearing
15	951-11373	1	/P	Ball Bearing Furnish 951-11228, Crankcase Cover Kit
15	951-11373	2	/P	Ball Bearing Furnish 951-11229, Crankshaft Kit
15	951-11373	1	/P	Ball Bearing Furnish 951-11230, Crankcase Kit
15	951-11373	2	/P	Ball Bearing Furnish 951-11187, Short Block Assembly
16	N/A	1		Crankshaft Assembly Furnish 951-11229, Crankshaft Kit
16	N/A	1		Crankshaft Assembly Furnish 951-11187, Short Block Assembly
17	N/A	1		Oil Drain Bolt Furnish 951-10641, Oil Drain Assembly
17	N/A	1		Oil Drain Bolt Furnish 951-11187, Short Block Assembly
18	N/A	1		Governor Gear Assembly Furnish 951-11187, Short Block Assembly
19	N/A	1		Extended Oil Drain Plug Furnish 951-10641, Oil Drain Assembly
19	N/A	1		Extended Oil Drain Plug Furnish 951-11187, Short Block Assembly
20	N/A	1		Crankcase Furnish 951-11230, Crankcase Kit
20	N/A	1		Crankcase Furnish 951-11187, Short Block Assembly
22	951-11197	1	/P	Ignition Coil
23	710-04920	1		Flange Bolt
24	951-11216	1	/P	Stator
25	710-04969	1		Flange Bolt
26	951-11214	1	/P	Flywheel
27	951-11217	1	/P	Cooling Fan
28	951-11218	1	/P	Starter Cup
29	712-04220	1		Flange Nut
30	951-11211	1	/P	Blower Housing
31	951-11208	1	/P	Recoil Starter Assembly
32	736-04440	1	/P	Oil Drain Washer

31AH54K3897 (2009)
Engine Assembly 478-SU

Page 13 of 25

Ref #	Part Number	Qty	S/P/F	Description
32	736-04440	1	/P	Oil Drain Washer Furnish 951-10641, Oil Drain Assembly
32	736-04440	1	/P	Oil Drain Washer Furnish 951-11209, Gasket Kit Complete
32	736-04440	1	/P	Oil Drain Washer Furnish 951-11187, Short Block Assembly
32	736-04440	1	/P	Oil Drain Washer Furnish 951-11210, Gasket Kit External
34	951-10637	1	/P	Ignition Switch
35	951-11302	1	/P	Choke Knob
35	951-11302	1	/P	Choke Knob
36	951-11180	1	/P	Cylinder Baffle
37	710-04974	1		Flange Bolt
38	N/A	2		Tappet Furnish 951-11187, Short Block Assembly
39	951-11199	1	/P	Push Rod Kit
40	715-04097	1		Dowel Pin
40	715-04097	2		Dowel Pin Furnish 951-11187, Short Block Assembly
41	N/A	1		Intake Valve Furnish 951-11198, Valve Kit
41	N/A	1		Intake Valve Furnish 951-11188, Cylinder Head Assembly
42	N/A	1		Exhaust Valve Furnish 951-11198, Valve Kit
42	N/A	1		Exhaust Valve Furnish 951-11188, Cylinder Head Assembly
43	N/A	1		Head Gasket Furnish 951-11188, Cylinder Head Assembly
43	N/A	1		Head Gasket Furnish 951-11209, Gasket Kit Complete
43	N/A	1		Head Gasket Furnish 951-11187, Short Block Assembly
43	N/A	1		Head Gasket Furnish 951-11226, Cylinder Head Kit
44	N/A	1		Cylinder Head Furnish 951-11188, Cylinder Head Assembly
45	951-10292	1	/P	Spark Plug
46	951-11212	1	/P	Muffler Gasket
46	951-11212	1	/P	Muffler Gasket Furnish 951-11188, Cylinder Head Assembly
46	951-11212	1	/P	Muffler Gasket Furnish 951-11209, Gasket Kit Complete
46	951-11212	1	/P	Muffler Gasket Furnish 951-11187, Short Block Assembly
47	710-04964	1		Exhaust Stud

31AH54K3897 (2009)
Engine Assembly 478-SU

Page 14 of 25

Ref #	Part Number	Qty	S/P/F	Description
47	710-04964	2		Exhaust Stud Furnish 951-11207, Muffler Stud Assembly
47	710-04964	2		Exhaust Stud Furnish 951-11188, Cylinder Head Assembly
48	710-04973	1		Flange Bolt
48	710-04973	4		Flange Bolt Furnish 951-11188, Cylinder Head Assembly
48	710-04973	4		Flange Bolt Furnish 951-11187, Short Block Assembly
48	710-04973	4		Flange Bolt Furnish 951-11226, Cylinder Head Kit
49	N/A	1		Pushrod Guide Plate Furnish 951-11188, Cylinder Head Assembly
50	710-04962	1		Rocker Stud Bolt
50	710-04962	2		Rocker Stud Bolt Furnish 951-11188, Cylinder Head Assembly
51	N/A	2		Rocker Arm Furnish 951-11188, Cylinder Head Assembly
52	751-11123	1		Valve Adjusting Nut
52	751-11123	2		Valve Adjusting Nut Furnish 951-11188, Cylinder Head Assembly
53	751-11124	1		Pivot Locking Nut
53	751-11124	2		Pivot Locking Nut Furnish 951-11188, Cylinder Head Assembly
54	N/A	1		Intake Valve Seal Furnish 951-11188, Cylinder Head Assembly
54	N/A	1		Intake Valve Seal Furnish 951-11226, Cylinder Head Kit
55	N/A	1		Exhaust Valve Spring Support Furnish 951-11188, Cylinder Head Assembly
56	N/A	2		Valve Spring Furnish 951-11188, Cylinder Head Assembly
57	N/A	1		Exhaust Spring Retainer Furnish 951-11188, Cylinder Head Assembly
58	N/A	1		Intake Spring Retainer Furnish 951-11188, Cylinder Head Assembly
59	N/A	1		Exhaust Valve Cap Furnish 951-11188, Cylinder Head Assembly
60	N/A	1		Valve Cover Gasket Furnish 951-11188, Cylinder Head Assembly
60	N/A	1		Valve Cover Gasket Furnish 951-11209, Gasket Kit Complete

31AH54K3897 (2009)
Engine Assembly 478-SU

Page 15 of 25

Ref #	Part Number	Qty	S/P/F	Description
60	N/A	1		Valve Cover Gasket Furnish 951-11187, Short Block Assembly
60	N/A	1		Valve Cover Gasket Furnish 951-11226, Cylinder Head Kit
60	N/A	1		Valve Cover Gasket Furnish 951-11210, Gasket Kit External
61	951-11220	1	/P	Valve Cover
62	710-05054	1		Bolt
63	710-04963	1		Carburetor Stud
63	710-04963	2		Carburetor Stud Furnish 951-11188, Cylinder Head Assembly
64	951-11225	1	/P	Intake Gasket
64	951-11225	1	/P	Intake Gasket Furnish 951-11188, Cylinder Head Assembly
64	951-11225	1	/P	Intake Gasket Furnish 951-11209, Gasket Kit Complete
64	951-11225	1	/P	Intake Gasket Furnish 951-11187, Short Block Assembly
64	951-11225	1	/P	Intake Gasket Furnish 951-11210, Gasket Kit External
65	951-11222	1	/P	Carburetor Insulator
65	951-11222	1	/P	Carburetor Insulator Furnish 951-11188, Cylinder Head Assembly
65	951-11222	1	/P	Carburetor Insulator Furnish 951-11209, Gasket Kit Complete
65	951-11222	1	/P	Carburetor Insulator Furnish 951-11187, Short Block Assembly
65	951-11222	1	/P	Carburetor Insulator Furnish 951-11210, Gasket Kit External
66	951-11223	1	/P	Carburetor Gasket
66	951-11223	1	/P	Carburetor Gasket Furnish 951-11209, Gasket Kit Complete
66	951-11223	1	/P	Carburetor Gasket Furnish 951-11210, Gasket Kit External
67	951-11193	1	S	Carburetor Assembly
67	951-11193	1	S	Carburetor Assembly (Incl. Ref No. 126-132, 136-149)
68	N/A	1		Piston Ring Set Furnish 951-11187, Short Block Assembly
69	N/A	2		Piston Pin Clip Furnish 951-11187, Short Block Assembly
70	N/A	1		Piston Pin Furnish 951-11187, Short Block Assembly

31AH54K3897 (2009)
Engine Assembly 478-SU

Page 16 of 25

Ref #	Part Number	Qty	S/P/F	Description
71	N/A	1		Piston Furnish 951-11187, Short Block Assembly
72	N/A	1		Connecting Rod Assembly Furnish 951-11187, Short Block Assembly
73	951-11196	1	/P	Electric Starter
74	710-04967	1		Flange Bolt
75	710-04965	1		Screw
76	951-11213	1	/P	Throttle Control Assembly
77	710-04908	1		Bolt
78	712-04211	1	S	Nut
79	951-11231	1	/P	Governor Arm Bracket
80	951-11202	1	/P	Governor Spring
81	951-11203	1	/P	Throttle Return Spring
82	951-11204	1	/P	Governor Rod
83	951-11195	1	/P	Muffler Assembly
84	712-04219	1		Nut
85	951-11181	1	/P	Muffler Baffle
86	710-04914	1		Flange Bolt
87	951-11194	1	/P	Muffler Shield
88	714-04077	1		Governor Shaft Clip
88	714-04077	1		Governor Shaft Clip Furnish 951-11187, Short Block Assembly
89	736-04453	1		Washer
89	736-04453	1		Washer Furnish 951-11187, Short Block Assembly
91	951-11190	1	/P	Heater Box
92	951-11221	1	/P	Breather Hose
93	951-11192	1	/P	Choke Assembly
95	951-11201	1	/P	Fuel Tank
96	951-11182	1	/P	Fuel Tank Mounting Bracket
97	951-11183	1	/P	Fuel Tank Mounting Bracket
98	951-11184	1	/P	Fuel Tank Shroud
99	951-11419	1	/P	Engine Shroud
100	951-10649	1	/P	Fuel Cap Assembly
101	951-10652	1	/P	Fuel Filter
102	710-04970	1		Flange Bolt
103	736-04451	1		Washer
104	750-05313	1		Bushing
105	736-04450	1		Washer
106	750-05312	1		Bushing
107	N/A	1		Governor Shaft Furnish 951-11187, Short Block Assembly
108	710-1012	1	/P	Flange Bolt
109	736-04452	1		Washer
110	750-05314	1		Bushing
111	N/A	2		Fuel Hose Clamp Furnish 951-11200, Fuel Line Kit
112	N/A	1		Fuel Hose Furnish 951-11200, Fuel Line Kit
113	951-11227	1	/P	Carburetor Heat Shield
114	951-11224	1	/P	Throttle Cable

31AH54K3897 (2009)
Engine Assembly 478-SU

Page 17 of 25

Ref #	Part Number	Qty	S/P/F	Description
115	710-04921	1		Flange Bolt
116	951-11185	1	S	Oil Tube Support Bracket
117	951-11186	1	/P	Alternator Wire Clamp Bracket
118	710-04972	1		Flange Bolt
118	710-04972	1		Flange Bolt Furnish 951-11228, Crankcase Cover Kit
118	710-04972	5		Flange Bolt Furnish 951-11187, Short Block Assembly
119	710-04966	1		Flange Bolt
120	N/A	1		Governor Shaft Seal Furnish 951-11230, Crankcase Kit
120	N/A	1		Governor Shaft Seal Furnish 951-11209, Gasket Kit Complete
120	N/A	1		Governor Shaft Seal Furnish 951-11187, Short Block Assembly
121	710-04916	1		Flange Bolt
122	712-04211	1	S	Nut
123	951-10307	1	/P	Flywheel Key
123	951-10307	1	/P	Flywheel Key Furnish 951-11229, Crankshaft Kit
123	951-10307	1	/P	Flywheel Key Furnish 951-11187, Short Block Assembly
124	736-04455	1		Flat Washer
125	726-04101	1		Breather Hose Clip
126	951-10639	1	S	Primer
126	951-10639	1	S	Primer Furnish 951-11193, Carburetor Assembly
127	N/A	1		Float Pin Furnish 951-11219, Carburetor Kit
127	N/A	1		Float Pin Furnish 951-11193, Carburetor Assembly
128	N/A	1		Needle Valve Spring Furnish 951-11219, Carburetor Kit
128	N/A	1		Needle Valve Spring Furnish 951-11193, Carburetor Assembly
129	N/A	1		Needle Valve Furnish 951-11219, Carburetor Kit
129	N/A	1		Needle Valve Furnish 951-11193, Carburetor Assembly
130	N/A	1		Bowl Gasket Furnish 951-11219, Carburetor Kit
130	N/A	1		Bowl Gasket Furnish 951-11193, Carburetor Assembly
131	N/A	1		Main Jet Furnish 951-11219, Carburetor Kit
131	N/A	1		Main Jet Furnish 951-11193, Carburetor Assembly

31AH54K3897 (2009)
Engine Assembly 478-SU

Page 18 of 25

Ref #	Part Number	Qty	S/P/F	Description
132	751-11349	1	S	Fuel Drain Plug Gasket
132	751-11349	1	S	Fuel Drain Plug Gasket Furnish 951-11219, Carburetor Kit
132	751-11349	1	S	Fuel Drain Plug Gasket Furnish 951-11193, Carburetor Assembly
133	731-05696	1		Starter Handle
134	710-05052	1		Bolt
135	736-04477	1		Lock Washer
136	N/A	1		Carburetor Float Furnish 951-11219, Carburetor Kit
136	N/A	1		Carburetor Float Furnish 951-11193, Carburetor Assembly
137	751-11348	1	S	Fuel Bowl Gasket
137	951-11348	1	/P	Fuel Bowl Gasket Furnish 951-11193, Carburetor Assembly
138	710-04945	1		Fuel Drain Bolt
138	710-04945	1		Fuel Drain Bolt Furnish 951-11193, Carburetor Assembly
139	710-04903	1	S	Fuel Drain Plug
139	710-04903	1	S	Fuel Drain Plug Furnish 951-11193, Carburetor Assembly
140	N/A	1		Throttle Pressure Plate Furnish 951-11193, Carburetor Assembly
141	N/A	1		Choke Shaft Furnish 951-11193, Carburetor Assembly
142	N/A	1		Choke Plate Furnish 951-11193, Carburetor Assembly
143	N/A	1		Throttle Shaft Furnish 951-11193, Carburetor Assembly
144	N/A	1		Throttle Plate Furnish 951-11193, Carburetor Assembly
145	N/A	2		Screw Furnish 951-11193, Carburetor Assembly
146	N/A	1		Idle Jet Assembly Furnish 951-11193, Carburetor Assembly
147	N/A	1		Idle Speed Adjusting Screw Furnish 951-11193, Carburetor Assembly
148	N/A	1		Fuel Bowl Furnish 951-11193, Carburetor Assembly
149	N/A	1		Main Nozzle Furnish 951-11219, Carburetor Kit
149	N/A	1		Main Nozzle Furnish 951-11193, Carburetor Assembly

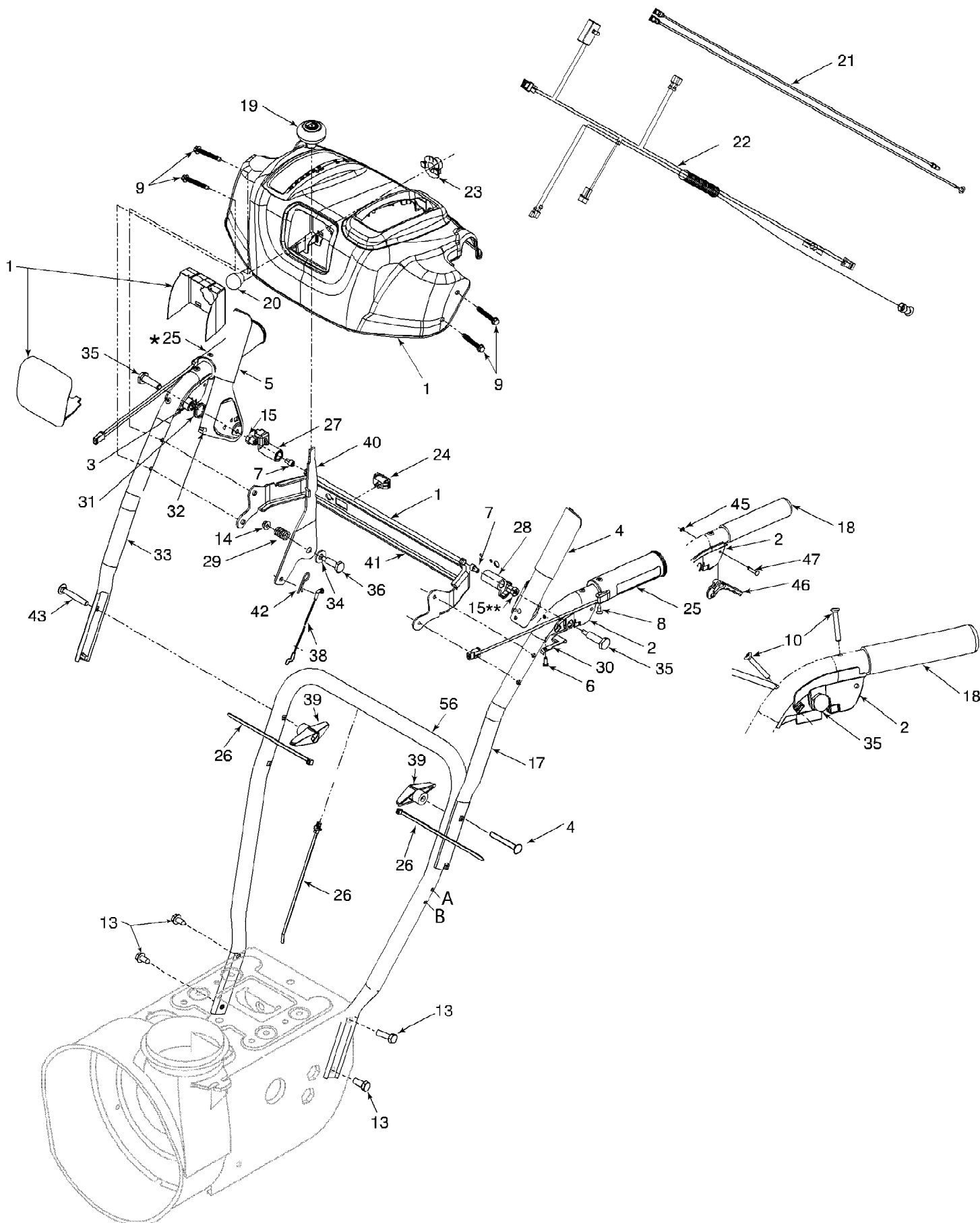
731-05632

www.mymowerparts.com (Not Shown)

31AH54K3897 (2009)
Engine Assembly 478-SU

Page 19 of 25

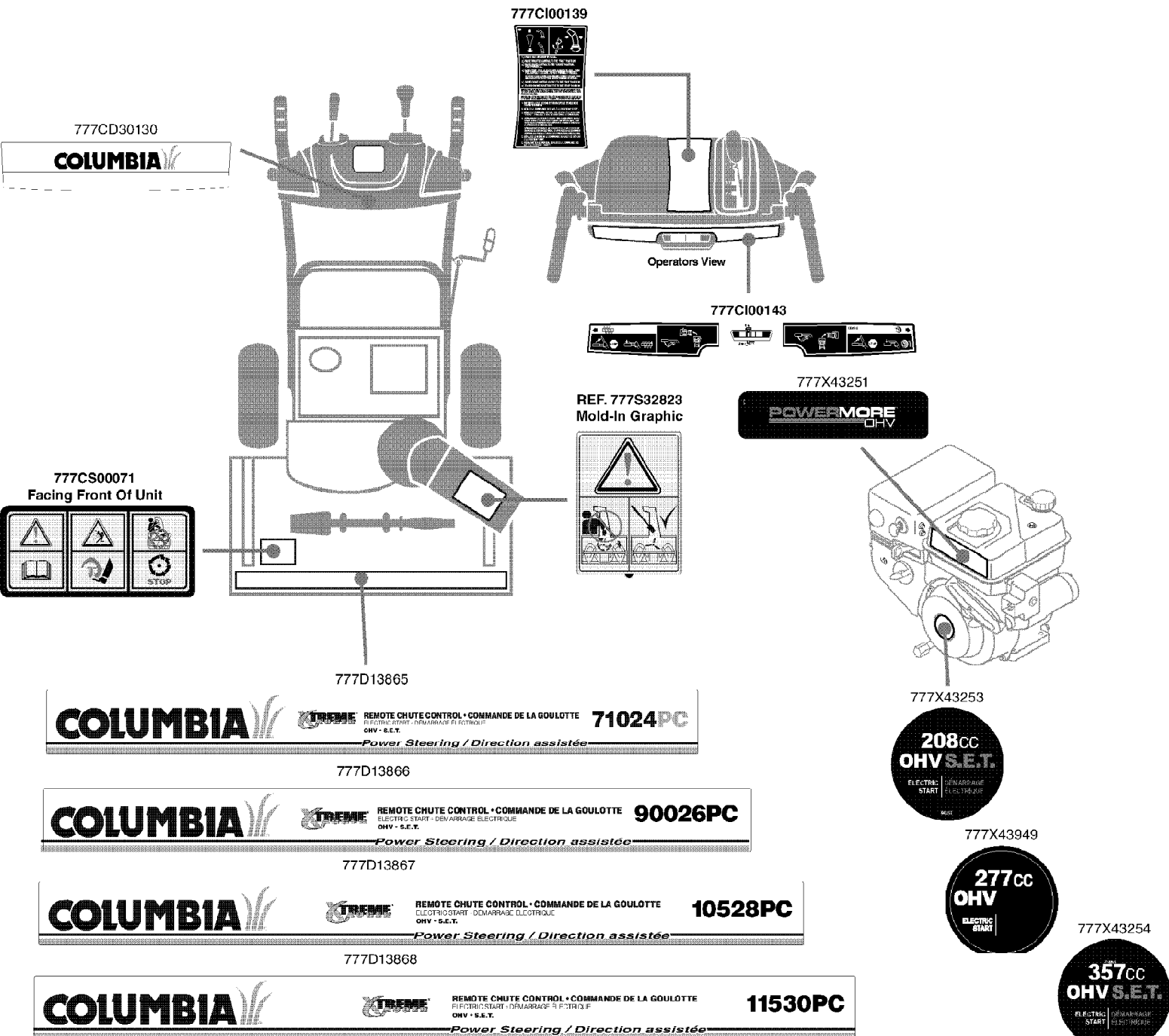
Ref #	Part Number	Qty	S/P/F	Description
	951-10641	1	/P	Oil Drain Assembly (Not Shown) (Incl. Ref No. 17, 19, 32)
	951-10651	1	/P	Fuel Tank Nipple (Not Shown)
	951-11187	1	/P	Short Block Assembly (Not Shown) (Incl. Ref No. 1, 2, 8-20, 32, 38, 40, 43, 46, 48, 60, 64, 65, 68-72, 88, 89, 107, 118, 120, 123)
	951-11188	1	/P	Cylinder Head Assembly (Not Shown) (Incl. Ref No. 41-44, 46-60, 63-65)
	951-11198	1	/P	Valve Kit (Not Shown) (Incl. Ref No. 41-42)
	951-11200	1	/P	Fuel Line Kit (Not Shown) (Incl. Ref No. 111-112)
	951-11207	1	/P	Muffler Stud Assembly (Not Shown) (Incl. Ref No. 47)
	951-11209	1	/P	Gasket Kit, Complete (Not Shown) (Incl. Ref No. 8, 11, 32, 43, 46, 06, 64-66, 120)
	951-11210	1	/P	Gasket Kit, External (Not Shown) (Incl. Ref No. 11, 32, 60, 64-66)
	951-11219	1	/P	Carburetor Kit (Not Shown) (Incl. Ref No. 127-132, 136, 149)
	951-11226	1	/P	Cylinder Head Kit (Not Shown) (Incl. Ref No. 43, 48, 54, 60)
	951-11228	1	/P	Crankcase Cover Kit (Not Shown) (Incl. Ref No. 1, 8911, 15, 118)
	951-11229	1	/P	Crankshaft Kit (Not Shown) (Incl. Ref No. 8, 15, 16, 123)
	951-11230	1	/P	Crankcase Kit (Not Shown) (Incl. Ref No. 8, 15, 20, 120)
	952Z478-SU	1	/P	Complete Engine (Not Shown)



31AH54K3897 (2009)
Handle Panel Assembly

Page 21 of 25

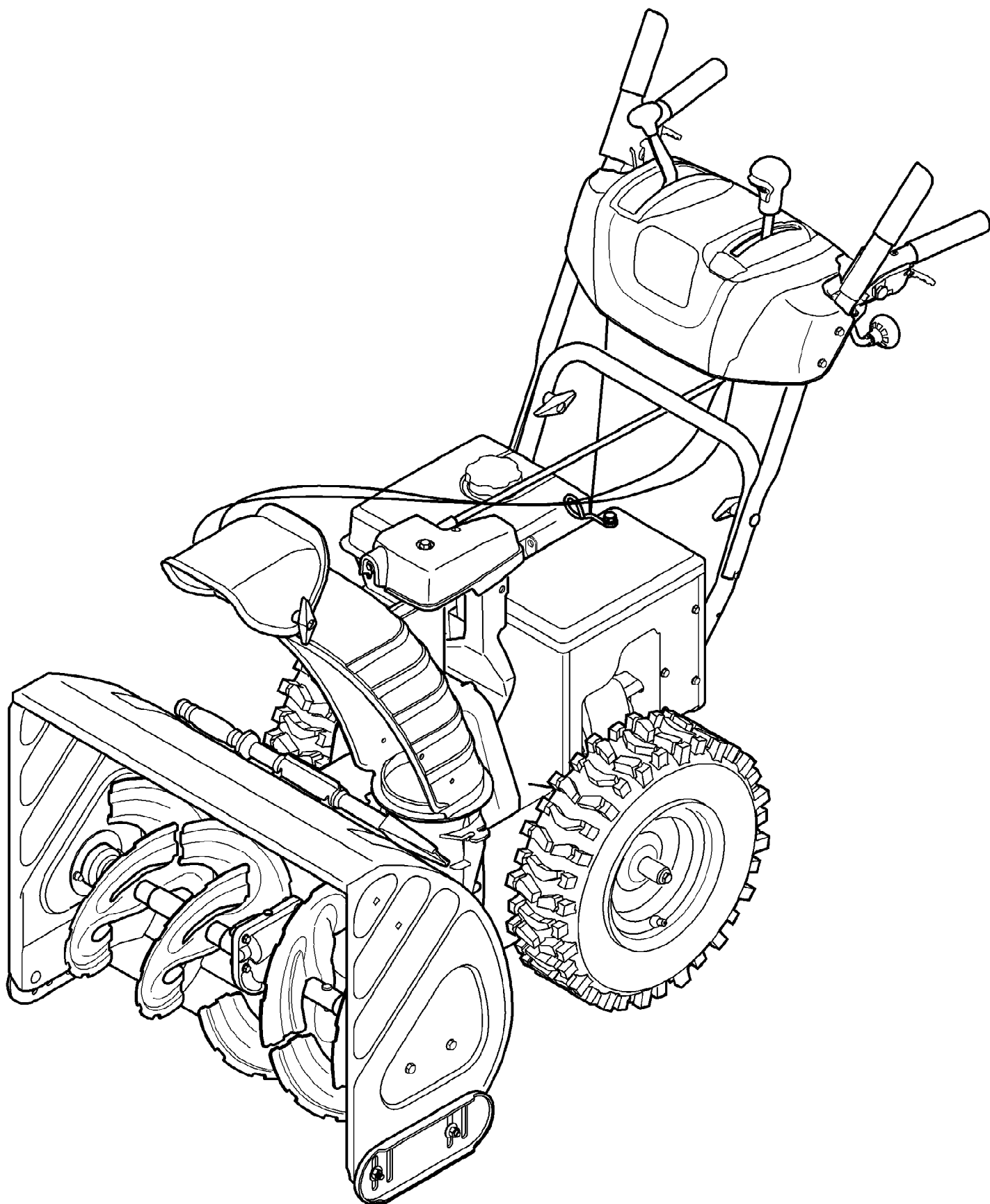
Ref #	Part Number	Qty	S/P/F	Description
1	931-04183	1	/P	Handle Panel Ass'y-Black w/Chute Control
2	631-04133A	1	/P	LH Clutch Lock Handle Ass'y
3	631-04134B	1		RH Clutch Lock Handle Ass'y
4	684-04105B	1	/P	Engagement Handle Assembly LH - Black
5	684-04106B	1	/P	Engagement Handle Assembly RH - Black
6	710-04326	1		Screw #8-16 x .50
7	710-3069	1	/P	Hex Cap Socket Screw 1/4-20 x .5
8	710-0837	1		Oval HD C-Sunk Scr #10 x 5/8
9	710-04586	1		Hex TT-Tap Scr 1/4-20 x 1.625
10	710-1233	1	/P	Oval C-Sunk Hd Screw 10-24 x 1.375
11	684-04250	1	/P	Pivot Rod
13	710-04484	1		Hex TT Screw 3/8-16 x .75
14	712-04064	1	/P	Hex L-Flanged Nut 1/4-20 Gr. F Nylon
15	712-04081A	1		Hex Shoulder Nut 1/4-20
15	712-04064	1	/P	Hex L-Flg Nut 1/4-20 Gr. F Nylon
17	749-04191A-0637	1		Upper Handle LH
18	720-0274	1	/P	Grip
19	720-04039	1		Shift Knob
20	925-04213	1	/P	Lamp #1295 13AH Models
20	725-1629	1		Lamp (208 cc/179 cc MTD engine) 13AM Models
21	725-04314	1		Wire Harness
22	725-04216B	1		Heated Grip Wire Harness
23	925-1649	1	/P	Socket
24	725-04393	1		Switch
25	725-1757	1		Heated Grip
26	926-0154	1	/P	Cable Tie (w/plug)
27	731-04894D	1	/P	Lock Plate
28	731-04896B	1	/P	Clutch Lock Cam
29	732-0193	1	/P	Compression Spring .38 ID x .88 Lg
30	732-04219C	1	/P	Spring: Clutch Lock
31	732-04238	1		Torsion Spring .8156 x .3038
32	935-0199A	1	/P	Rubber Bumper
33	749-04190A-0637	1	/P	Upper Handle RH
34	936-0267	1	/P	Flat Washer .38 ID x .87 OD x .09
35	738-04348	1	/P	Shoulder Screw .437 x 1.345: 1/4-20
36	738-04125	1		Shoulder Screw .374 Dia. x 1.05 Lg.
38	946-04396A	1	/P	Selector Speed Cable
39	720-04072A	1	/P	Handle Knob Assembly
40	790-00311A-0637	1		Shift Lever
41	790-00248B-0637	1	/P	Panel Support
42	914-0145	1	/P	Cotter Pin
43	710-0572	1	/P	Carriage Bolt 5/16-18 x 2.25
44	749-04138A-0637	1		Lower Handle
45	716-04036	1		E Ring
46	731-04913	1		Steering Control
47	738-04126	1		Pin 3/16



31AH54K3897 (2009)
Label Map

Page 23 of 25

Ref #	Part Number	Qty	S/P/F	Description
777CD30130	777CD30130	1		LABEL-SNOW HANDLE PANEL
777CS00071	777CS00071	1		LABEL-DANGER AUGER
777D13865	777D13865	1		LABEL-SNOW AUGR:COLUM 24"
777D13866	777D13866	1		LABEL-SNOW AUGR:COLUM 26"
777D13867	777D13867	1		LABEL-SNOW AUGR:COLUM 28"
777D13868	777D13868	1		LABEL-SNOW AUGR:COLUM 30"
777X43253	777X43253	1		LABEL-SNOW SHROUD 24"
777X43949	777X43949	1		LABEL-SNOW SHROUD 277CC 26"
777X43254	777X43254	1		LABEL-SNOW SHROUD 357CC 28" & 30"
777X43251	777X43251	1		LABEL-SNOW SHROUD MTD ENGINE
777S32823	N/A	1		Mold In Graphic
777CI00143	777CI00143	1		LABEL-SNOW CONTROL PANEL STYLE 0
777CI00139	777CI00139	1		LABEL-SNOW CONTROL PANEL



Ref #	Part Number	Qty	S/P/F	Description
	951-10292	1	/P	Spark Plug
	731-05632	1		Key
	N/A	1		Extension Cord
	731-2643	1	S	Snow Removal Tool
	746-04229	1		Drive Cable
	746-04230	1		Auger Cable
	946-04527	1	/P	Chute Cable
	946-04396A	1	/P	Speed Cable
	946-0956B	1	/P	Steering Cable
	684-04107-0637	1		Auger Assembly - LH
	684-04108-0637	1		Auger Assembly - RH
	790-00120	1		Shave Plate 24" Models
	790-00121	1		Shave Plate 26" Models
	790-00118	1		Shave Plate 28" Models
	790-00119	1		Shave Plate 30" Models
	684-04057A-0637	1	/P	Impeller Assembly
	790-00091-0606	1		Slide Shoe
	738-04124A	1	/P	Shear Pin
	714-04040	1		Bow Tie Cotter Pin
	925-04213	1	/P	Lamp #1295 - 26"-30" Models
	725-1629	1		Lamp - 24" Models
	954-04050	1	/P	Belt .5 x 35" Lg. - 24" Models
	954-04195	1	/P	Belt .5 x 37" Lg. - 26" & 30" Models
	954-0367	1	/P	Belt 3/8 X 34.4" Lg. - 24" Models
	954-04201	1	S	Belt 3/8 X 35.68" Lg. - 26" & 30" Models
	N/A	1		Spiral Crescent
	N/A	1		Rubber Paddle
	656-04025A	1	/P	Friction Wheel
	634-04147A-0911	1		Wheel Assembly - LH - 24" Models
	634-04148A-0911	1		Wheel Assembly - RH - 24" Models
	634-04145-0911	1		Wheel Assembly - LH - 26" Models
	634-04146-0911	1		Wheel Assembly - RH - 26" Models
	634-04136-0911	1		Wheel Assembly - LH - 28" & 30" Models
	634-04137-0911	1		Wheel Assembly - RH - 28" & 30" Models