

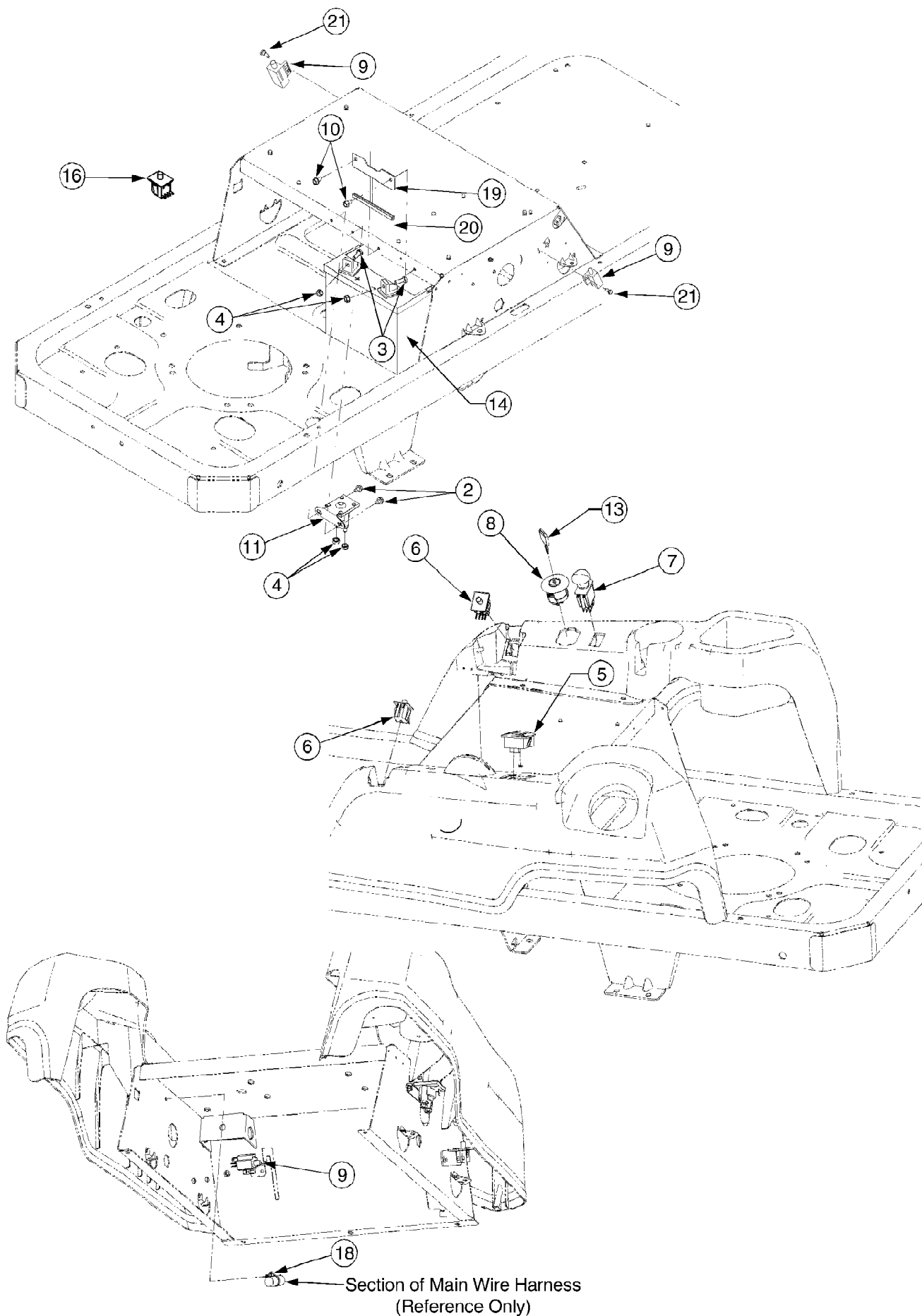
17AJ2ACG897 RZT42 (2010)
Controls & Deck Lift

Page 2 of 29

Ref #	Part Number	Qty	S/P/F	Description
1	603-04160B	1	S	Shaft Assembly, Deck Lift
2	603-04322-0637	1		Lever, Lapbar, RH
3	603-04324-0637	1		Lever, Lapbar, LH
4	947-04065	1	/P	Brake Rod
5	647-04099A	1	/P	Control Shaft
6	703-05387B	1	/P	Lapbar Pivot Bracket
7	703-05396A-0637	1	/P	Brake Handle
8	703-05414A-0606	1		Front Deck Hanger Bracket
9	703-05793A-0606	1	/P	Deck Lift Arm
10	703-06096	1		Switch Actuator Bracket
11	703-06169-0637	1	/P	Lift Link Plate
12	710-0347	1	/P	Hex Screw 3/8-16 x 1.75
13	710-0433	1	/P	Hex Bolt 1/4-20 x .625" Lg. Gr. 5
14	710-3005	1	/P	Hex Bolt 3/8-16 x 1.25
15	710-3008	1	/P	Hex Bolt 5/16-18 x .75" Lg. Gr. 5
16	710-3180	1	/P	Hex Screw 5/16-18 x 1.75" Lg.
17	911-0332	1	/P	Clevis Pin .50 x .78
18	712-04243	1		Hex Nut 1/2-13
19	712-04063	1	/P	Hex. Flanged L-Nut 5/16-18 Gr. F,
20	712-04064	1	/P	Hex. Flanged L-Nut Hex 1/4-20 Gr.
21	712-04065	1	/P	Hex. Flanged L-Nut 3/8-16 Gr. F Ny
22	912-0431	1	/P	Hex. Flanged L-Nut 3/8-16 Gr. F
24	914-0104	1	/P	Int. Cotter Pin .072 x 1.13" Lg.
25	914-04023	1	/P	Cotter Pin
26	716-0106	1	/P	E-ring
27	720-0311	1		Handle Grip
28	723-04035	1		Rod End
29	727-04141	1		Cylinder, Damper
30	731-04735	1		Handle Grip
31	731-05732	1		Spacer .62 x 1.0
32	731-0274	1		Hand Grip
33	932-0334	1	/P	Compression Spring
34	732-0874	1	/P	Torsion Spring
35	736-0270	1	/P	Cupped Washer .265 ID x .75 OD
36	936-0272	1	/P	Flat Washer .53 ID x 1.00 OD x .06
37	936-0275	1	/P	Flat Washer .34 ID x .688 OD x .065
38	736-3019	1		Flat Washer .531 ID x 1.0 OD
39	738-0143	1	/P	Shld. Scr. .500 Dia. x .335" Lg.
40	938-0296	1	/P	Shoulder Screw
41	938-0507B	1	/P	Shoulder Screw .50 Dia.
42	938-0572	1	/P	Shoulder Screw .375 x 1.16
43	938-0974	1	/P	Shoulder Screw .375 x .38:1/4-20
44	941-0225	1	/P	Hex Flange Bearing .630 ID
45	741-3074	1		Flange Bearing .626 x .938 x .344
46	747-04401A	1		Deck Front Hanger Rod
47	747-04637	1		Deck Lift Handle Rod
48	747-05057	1		Lapbar Control Rod
49	948-0227A	1	/P	Hex Flange Bearing
50	748-04169A	1		Control Hub
51	750-04676	1		Spacer, .385 x .63 x .75
52	750-04776	1		Spacer, .380 x .625 x .265
53	732-04420	1		Torsion Spring (50" Deck Only)
54	747-04631	1		

17AJ2ACG897 RZT42 (2010)
Controls & Deck Lift

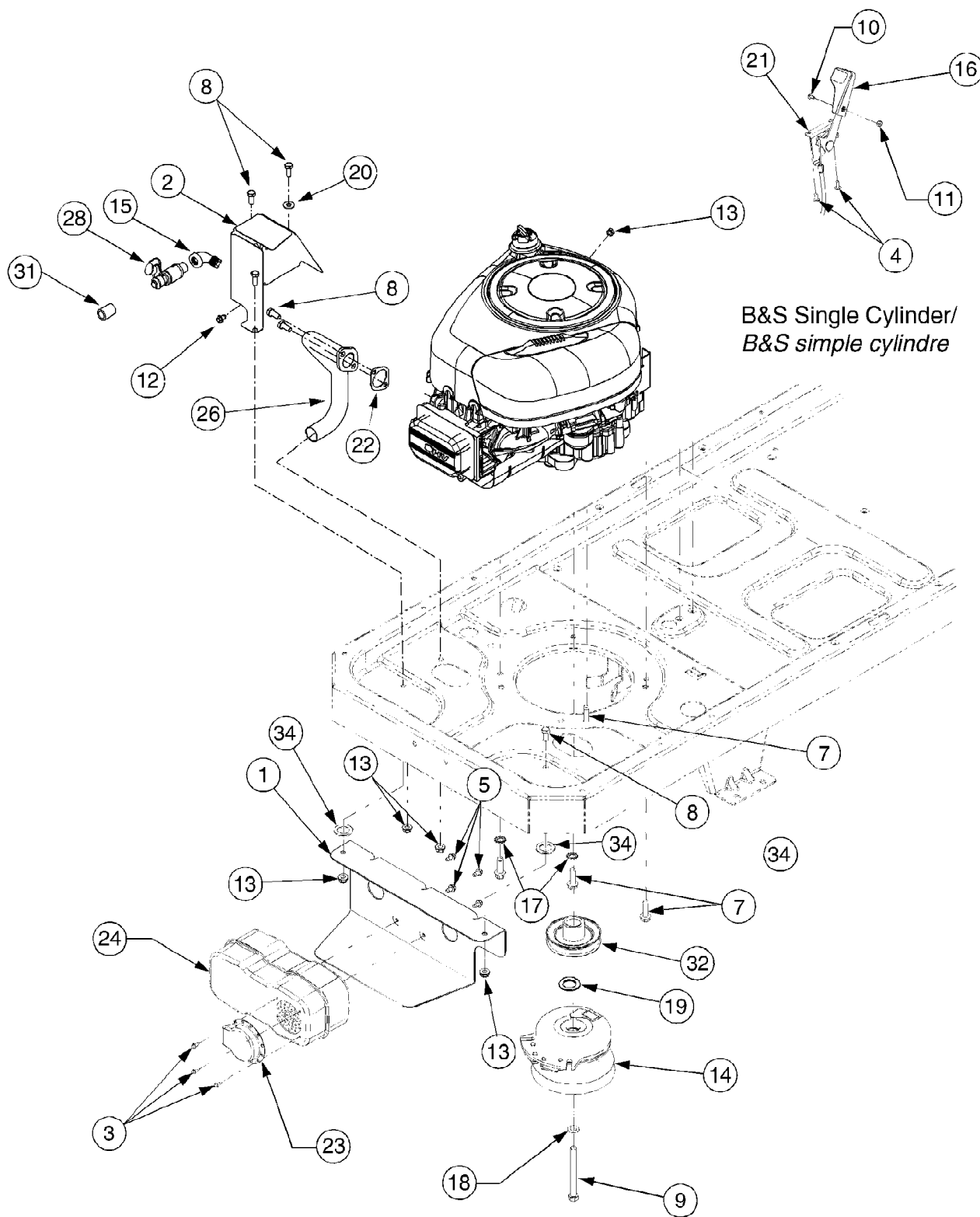
Ref #	Part Number	Qty	S/P/F	Description
	731-04719A	1	/P	Grip, Lapbar (Not Shown)



17AJ2ACG897 RZT42 (2010)
Electrical

Page 5 of 29

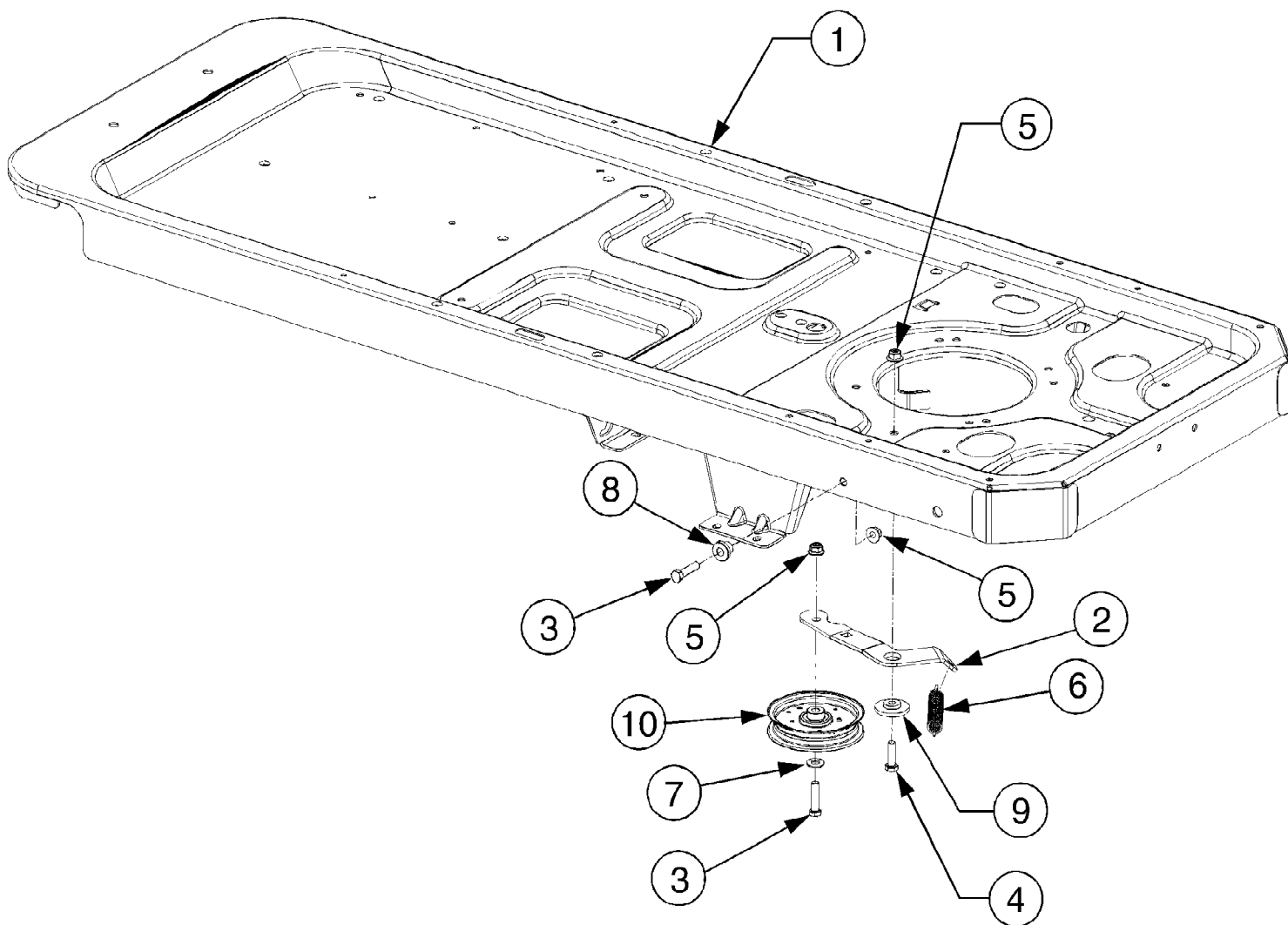
Ref #	Part Number	Qty	S/P/F	Description
2	710-0653	1	/P	Hex Wash HD Tapp Scr 1/4-20 x .375
3	710-3015	1	/P	Hex Cap Bolt 1/4-20 x .75" Lg.
4	712-0271	1	/P	Sems Hex Nut 1/4-20
5	925-04022B	1	/P	Meter, Indicator/Service Monitor
6	925-04165	1	/P	Switch, Dbl. Pole - Neutral
7	925-04174	1	/P	Switch, PTO
8	925-04228	1	/P	Switch, Ignition
9	725-04363	1		Switch, Interlock, (NO-NC)
10	710-0599	1	/P	Hex Wash S-Tapp Scr 1/4-20 x .50
11	725-04439	1		Solenoid
13	925-1745A	1	/P	Key
14	925-1707D	1	/P	Battery 245 CCA (Dry)
16	925-04040	1	/P	Seat Switch
18	726-0470	1		Cable Tie 19 x 8.39"
19	703-05894-0637	1	/P	Bracket, Battery Holddown
20	731-0511-5	1		Trim Strip 5" Lg.
21	738-04237A	1		Shoulder Screw #10-32 x .5
	925-04109	1	/P	Wire Harness Assembly (Not Shown)



17AJ2ACG897 RZT42 (2010)
Engine Connections Single

Page 7 of 29

Ref #	Part Number	Qty	S/P/F	Description
1	703-05441A	1	/P	Muffler Mounting Bracket
2	703-05870	1		Muffler Tube Heat Shield
3	710-0227	1	/P	Hex Wash HD AB S-Tapp Scr #8-.50
4	710-1017	1	/P	Screw 1/4-14 x .625
5	710-0599	1	/P	Hex Wash S-Tapp Scr 1/4-20 x .50
7	710-1315	1	/P	TT Screw 3/8-16 x 1.25
8	710-3008	1	/P	Hex Bolt 5/16-18 x .75" Lg. Gr. 5
9	710-3157A	1	/P	Hex Bolt 7/16-20 x 3.25 Gr. 5
10	710-3217	1	/P	Torx Screw, #8-32 x .375
11	712-0142	1	/P	Hex Nut #8-32, 0.375
12	712-0271	1	/P	Sems Hex Nut 1/4-20
13	712-04063	1	/P	Flange Locknut 5/16-18 Gr. F, Nylon
14	917-04376A	1	/P	Clutch Ass'y Electric PTO
15	737-0125	1		Elbow Fitting
16	731-04914	1	/P	Throttle Control Knob
17	736-0148	1		L-Washer 3/8" ID (Ext. Tooth)
18	936-0171	1	/P	Lockwasher 7/16 ID
19	736-0277	1		Flat Washer 1.03 ID x 1.64 OD x .095
20	936-3008	1	/P	Flat Washer .312 ID x .75 OD
21	746-04161	1	S	Throttle Cable 39.0" Lg.
22	BS-692236	1	/P	Gasket
23	751-0564B	1	/P	Muffler Deflector
24	751-0617C	1	/P	Muffler
26	603-04176A	1	/P	Exhaust Pipe
28	951-10517A	1	/P	Oil Drain
31	751-3141-14	1	/P	Oil Drain Hose
32	756-04376	1		Drive Pulley
34	936-3039	1	/P	Flat Washer .406 ID x 1.5 DE x .105
	703-07712A	1	/P	Heat Shield (Not Shown)

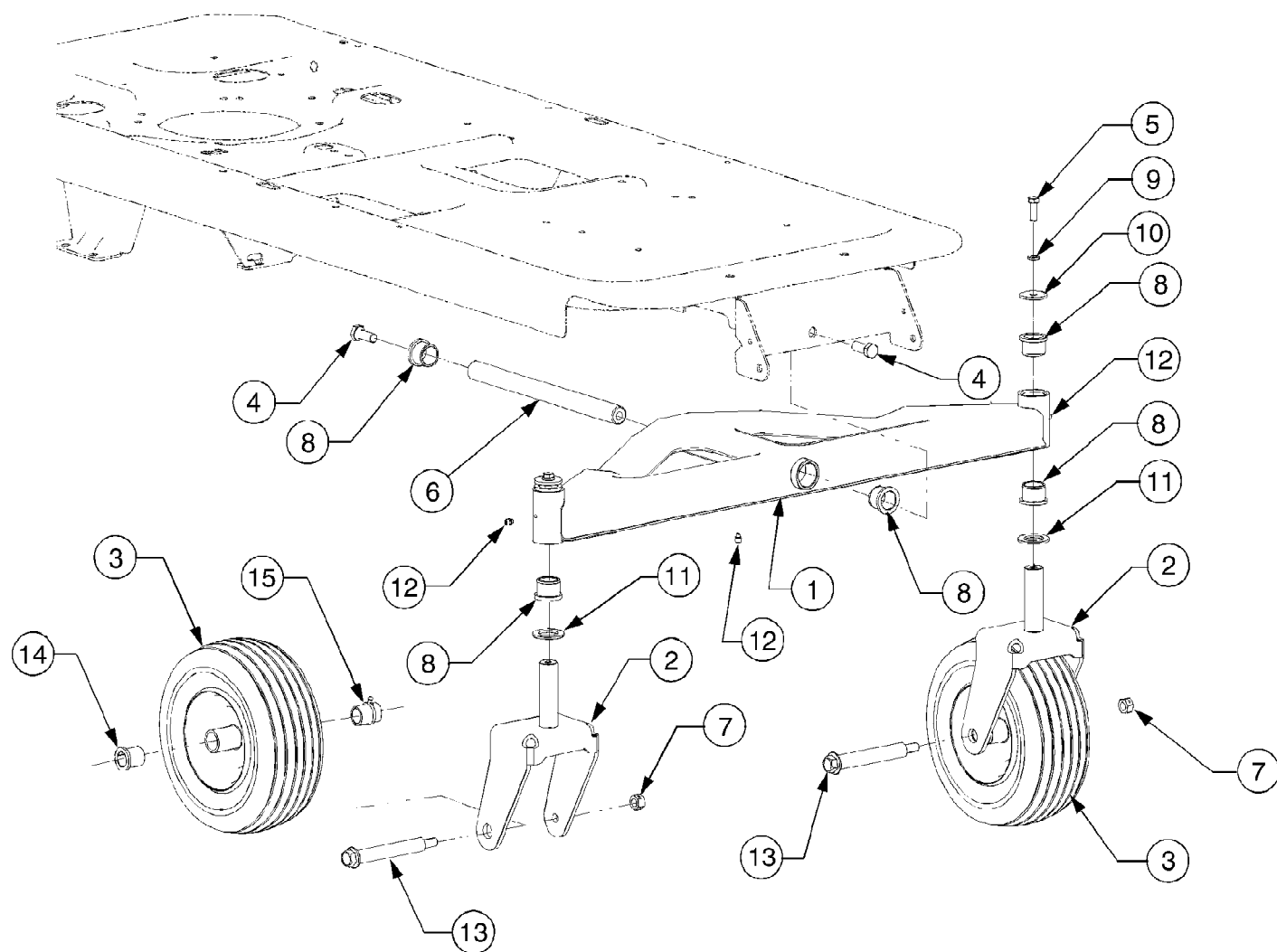


17AJ2ACG897 RZT42 (2010)
Frame & Drive Idler Assembly

Page 9 of 29

Ref #	Part Number	Qty	S/P/F	Description
1	603-04691-0606	1	/P	Frame Assembly
2	703-05829-0637	1	S	Idler Arm, Drive
3	710-0520	1	/P	Hex Screw 3/8-16 x 1.50
4	710-3005	1	/P	Hex Bolt 3/8-16 x 1.25
5	712-04065	1	/P	Flange Lock-Nut 3/8-16 Gr. F Nylon
6	732-0626	1		Ext. Spring 5.06" Lg.
7	936-0300	1	/P	Flat Washer .385 ID x .87 OD x .06
8	738-04058	1		Shoulder Spacer .38 x 1.0 x .70
9	738-04162A	1	/P	Shoulder Spacer .884 x .190
10	756-04129B	1	/P	Idler Pulley w/Flange 4.25 Dia

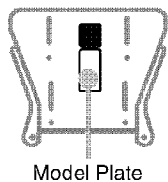
17AJ2ACG897 RZT42 (2010)
Front Axle 42 Inch



17AJ2ACG897 RZT42 (2010)
Front Axle 42 Inch

Page 11 of 29

Ref #	Part Number	Qty	S/P/F	Description
1	603-04148C-0606	1	/P	Front Pivot Axle
2	603-04308-0606	1		Caster Wheel Bracket
3	634-04237A	1	S	Wheel Ass'y 11 .0 x 4.0 x 5.0 Grey
3	934-0255	1	/P	Air Valve Not shown
4	710-04186	1	/P	Hex Lock Screw 1/2-13 x 1.25 Gr. 5
5	710-0514	1	/P	Hex Screw 3/16 x 1.00
6	911-04228	1	/P	Axle Shaft
7	712-3022	1	/P	Hex Cent. L-Nut 1/2-13 Thd. (Gr. 5)
8	731-05500	1		Flange Bearing 1.0 x 1,246
9	936-0169	1	/P	L-Wash 3/8 ID
10	936-0227	1	/P	Flat Washer .39 ID x 1.5 OD x .135
11	736-0250	1	/P	Flat Washer
12	937-3000	1	/P	Grease Fitting
13	738-04182A	1	/P	Shoulder Screw .75 x 4.75:7/16-14
14	741-0516B	1	/P	Flange Brg. .75" ID
15	741-0990B	1	/P	Flange Brg. .76 ID w/Lube Ftg.



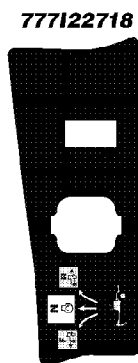
777I23201

777I23200

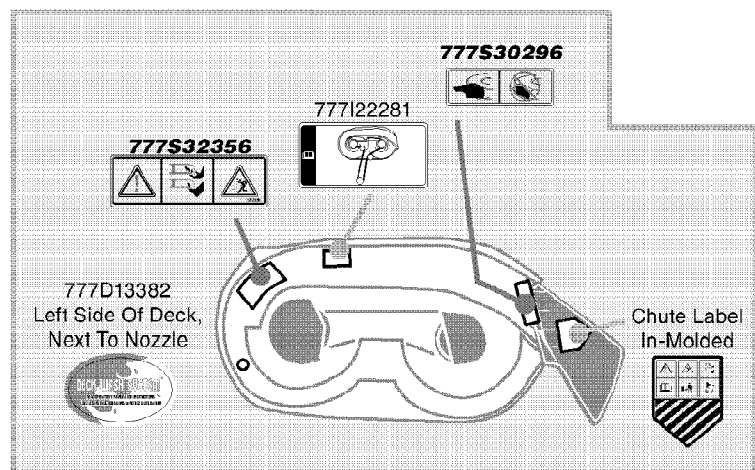
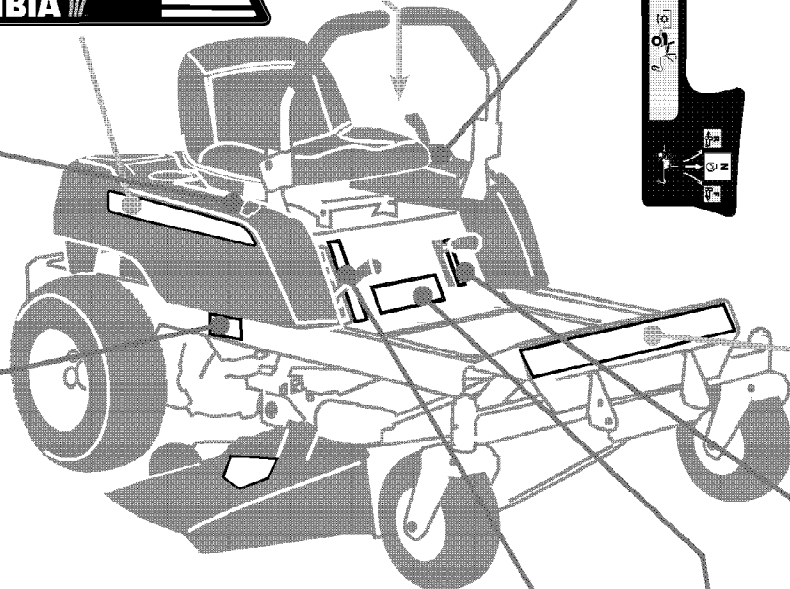
777X43688
Place on Engine
Near Gas Cap



777CD30086
Center Below Holes On Rear Frame



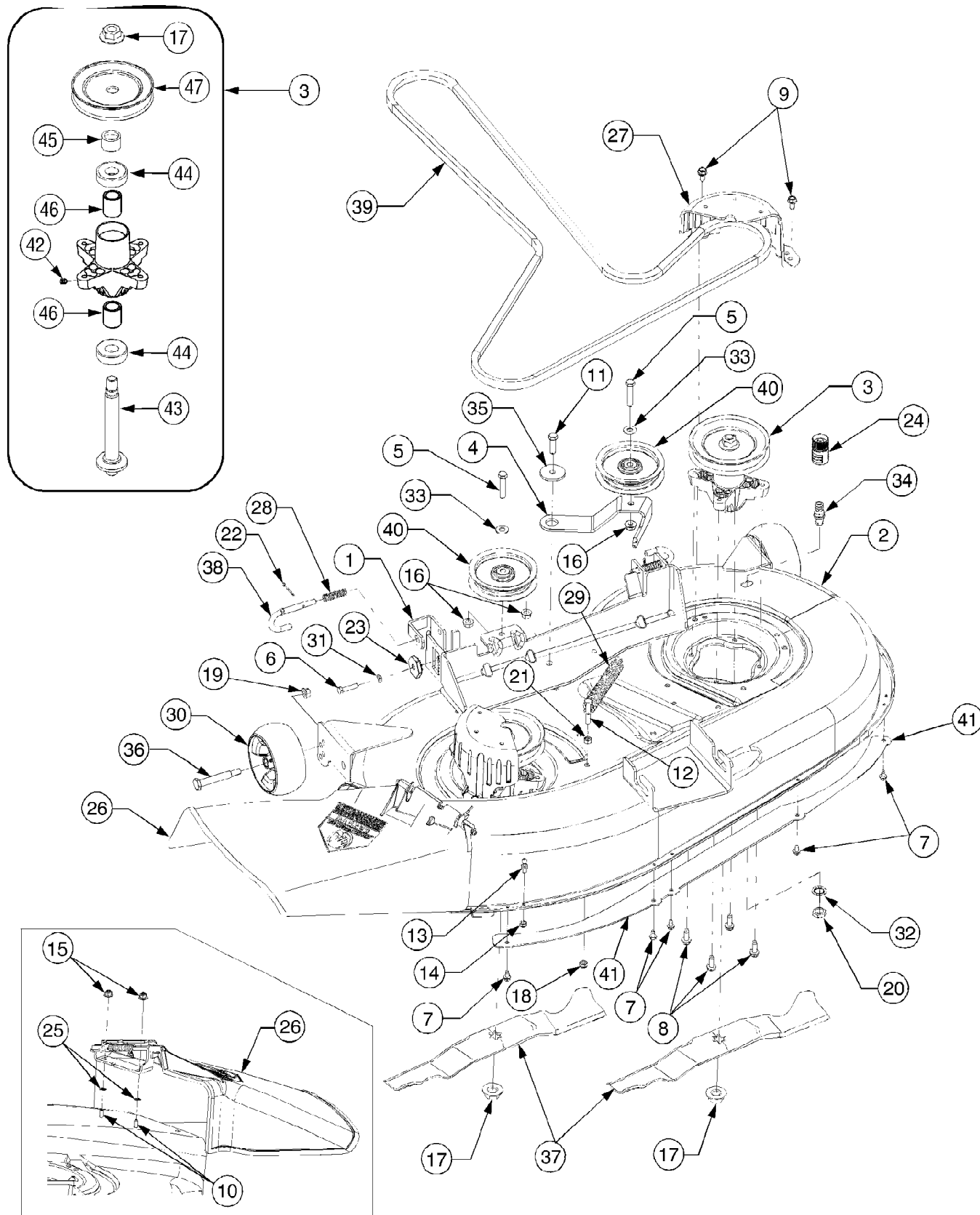
(QTY 2) 777I22519
On Both Sides On Frame
Near Release Lever



17AJ2ACG897 RZT42 (2010)
Label Map RZT42

Page 13 of 29

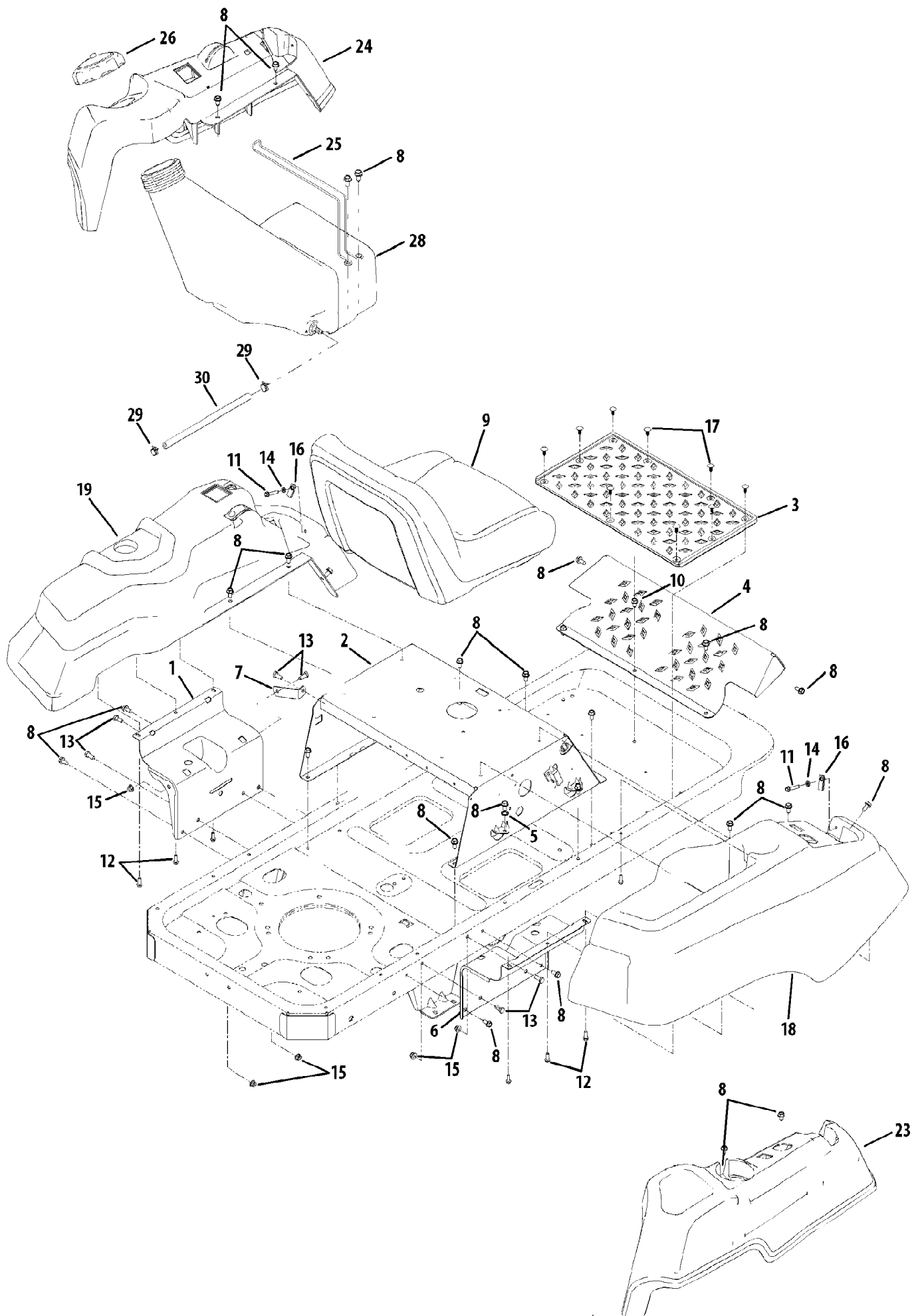
Ref #	Part Number	Qty	S/P/F	Description
777CD30150	777CD30150	1		LABEL-LH POD COLUMBIA RZT
777CD30151	777CD30151	1		LABEL-RH POD COLUMBIA RZT
777I22718	777I22718	1		LABEL-RH CONTROL
777I22519	777I22519	1		LABEL-TRNMSN RELEASE
777D13382	777D13382	1		LABEL-DECK WASH
777S32356	777S32356	1		LABEL:RIDER SAFETY
777I22281	977I22281	1	/P	LABEL-BELT ROUTE
777S30296	777S30296	1		LABEL:RIDER DECK:
777I23195	777I23195	1		LABEL-HANDLE HEIGHT
777S32353	777S32353	1		LABEL-RDR SAFETY
777I23193	777I23193	1		LABEL-PARK BRAKE
777D12570	777D12570	1		LABEL-FRNT FRAME 42" COLUMBIA
777CD30086	777CD30086	1		LABEL-REAR FENDER COLUMBIA
777X43688	777X43688	1		LABEL-ETHANOL
777I23200	777I23200	1		LABEL-LH CONTROL
777I23201	777I23201	1		LBL-THROTTLE/CHOKE



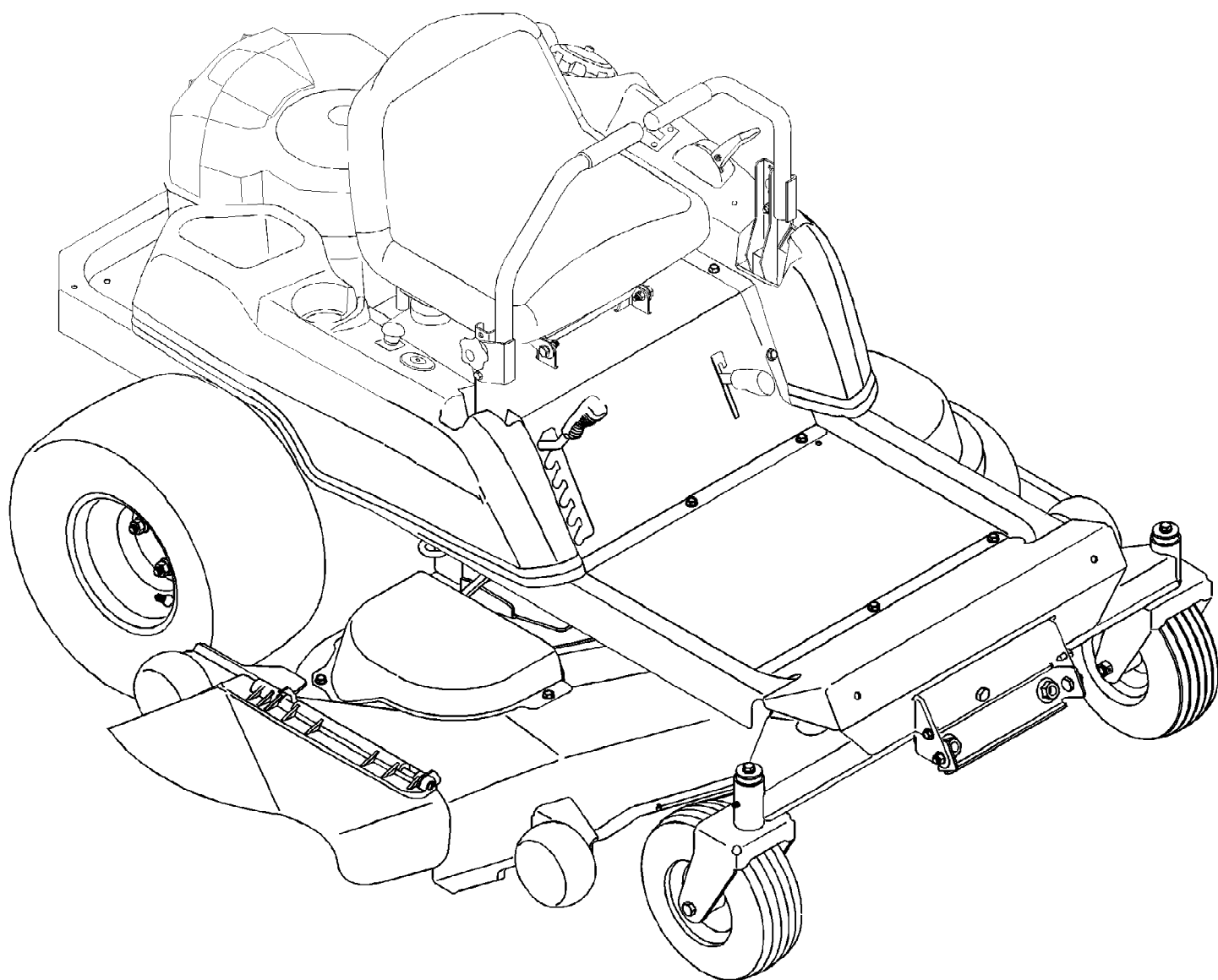
17AJ2ACG897 RZT42 (2010)
Mower Deck 42 Inch

Page 15 of 29

Ref #	Part Number	Qty	S/P/F	Description
1	603-04156-0606	1		Deck Lift Bracket
2	903-04335C-0606	1	/P	Deck Housing
3	918-0659	1	S	Spindle Assembly
4	703-05824B-0606	1	/P	Idler Arm
5	710-0347	1	/P	Hex Screw 3/8-16 x 1.75
6	710-0528	1	/P	Hex Bolt 5/16-18 x 1.25
7	710-0599	1	/P	Hex Wash S-Tapp Scr 1/4-20 x .50
8	710-1260A	1	/P	Hex Wash. Hd. Scr. 5/16-18 x .75 Lg.
9	710-0726	1	/P	Hex Wash HD AB Tap Scr 5/16-12 x .75
10	710-0751	1	/P	Hex Bolt 1/4-20 x .62 Gr. 5
11	710-3005	1	/P	Hex Bolt 3/8-16 x 1.25
12	710-3180	1	/P	Hex Screw 5/16-18 x 1.75" Lg.
13	911-04069	1	/P	Grasscatcher Pin 1/4-20
14	712-0324	1	/P	Hex Ins. Locknut 1/4-20
15	712-04064	1	/P	Hex L-Flanged Nut 1/4-20 Gr. F Nylon
16	712-04065	1	/P	Flange Lock-Nut 3/8-16 Gr. F Nylon
17	712-0417A	1	/P	Hex Flange Nut 5/8-18
18	912-0429	1	/P	Hex Ins. L-Nut 5/16-18
19	912-0431	1	/P	Hex. Flanged L-Nut 3/8-16 Gr. F
20	912-0641	1	/P	Hex Nut M16-1.5 DIN 936
21	912-3010	1	/P	Hex Nut 5/16-18 hd. (Gr. 5)
22	914-0470	1	/P	Cotter Pin 1/8" Dia x 1.25
23	917-04074	1	/P	Deck Adjustment Gear
24	921-04041	1	/P	Water Nozzle Adaptor
25	726-0233	1	/P	Bolt Retainer 1/4" x .50" OD
26	631-0216A	1	/P	Chute Deflector (Plastic)
27	731-2231B	1	/P	Belt Cover
28	932-0306A	1	/P	Compression Spring
29	732-04609	1		Extension Spring .94 OD x 6.74
30	734-04155	1		Deck Wheel 5.0
31	936-0119	1	/P	L-Wash 5/16 ID
32	736-0225	1	/P	L-Washer Internal
33	736-3072	1	/P	Flat Washer .38 x .93 x .11
34	737-04003D	1	/P	Port, Water
35	738-04162A	1	/P	Shoulder Spacer .884 x .190
36	938-3056	1	/P	Shoulder Screw, 1/2 Diameter x 2.5
37	942-0616A	1	/P	Blade 21.23" lg.
38	747-1116	1	/P	Deck Release Pin
39	954-04137A	1	/P	V-Belt Type A Sec x 114.1
40	756-04129	1	S	Idler Pulley w/Flange 4.25 Dia
41	753-0884	1	/P	Deck Skirt
42	937-3000	1	/P	Grease Fitting
43	738-1010A	1	/P	Spindle Shaft 5.75
44	941-0919	1	/P	Ball Bearing 20 x 47 x 14:6204:DS
45	748-0433	1		Spacer .820 x 1.150 x .730 Lg.
46	750-1000	1		Spacer .080 x 1.10 x 1.322" Lg.
47	956-1227	1	/P	Deck Pulley 6.3 Dia.



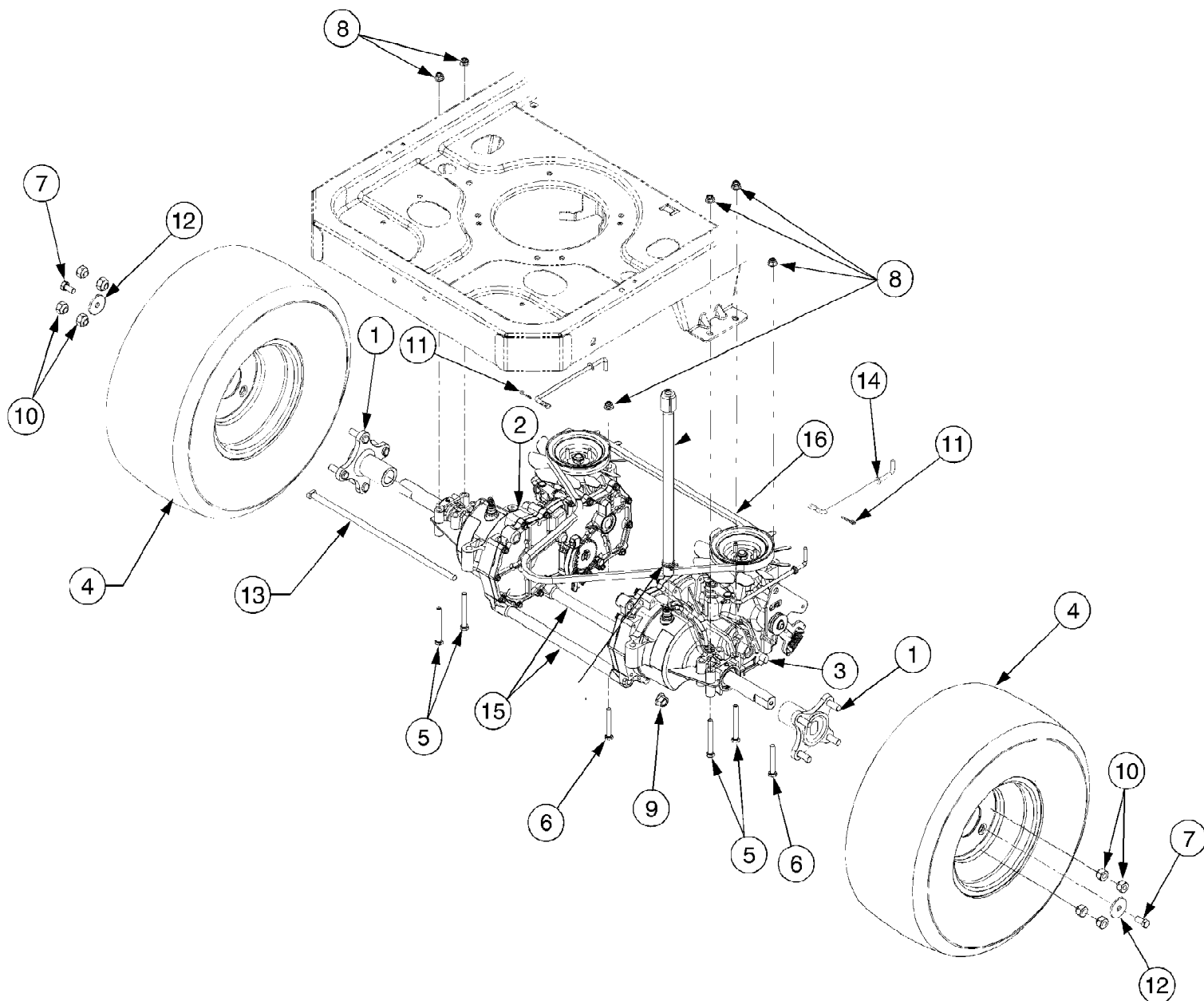
Ref #	Part Number	Qty	S/P/F	Description
1	603-04564-0606	1		Console Mtg. Brkt. LH
2	603-04663-0606	1		Seat Frame
3	735-04082B	1		Foot Pat
4	703-05373B-0606	1		Foot Rest Bracket
5	736-0148	1		Ext. Tooth Washer, 3/8
6	703-06451-0606	1		Console Mtg. Brkt. RH
7	703-06623-0637	1	/P	Fuel Tank Support Bracket
8	710-04484	1		Hex Washer Screw 5/16-18 x .75
9	757-04098	1		High Back Seat
10	710-0604A	1	/P	Self-tapping Screw 5/16-18 x .625
11	710-0778	1	/P	Hex Wash HD Bolt 1/4-20 x 1.50" Lg.
12	710-04187	1	/P	Hex Screw 1/4-15 x .50" Lg.
13	710-3008	1	/P	Hex Screw 5/16-18 x .75
14	912-0298	1	/P	Hex Jam Nut 1/4-20
15	712-04063	1	/P	Hex L-Flg.Nut 5/16-18 Gr. F, Nylon
16	712-04092	1		U-Type Speed Nut 1/4-20
17	726-3046	1	/P	Ratchet Clip
18	N/A	1		Console, RH Not used in this application
19	N/A	1		Console, LH Not used in this application
23	731-04663D	1	/P	Console, RH
24	731-04662E	1	/P	Console, LH
25	747-04228A	1		Tank Mtg. Wire
26	951-3124D	1	S	Fuel Cap
28	751-10057D	1	/P	Fuel Tank 3 gal.
29	726-0205	1	/P	Hose Clamp
30	751-10349-72	1	/P	Hose, Fuel Low Permeation (B&S)
	710-04187	1	/P	Hex Scr. 1/4-15 x .50 Not Shown



17AJ2ACG897 RZT42 (2010)
Quick Reference RZT42

Page 19 of 29

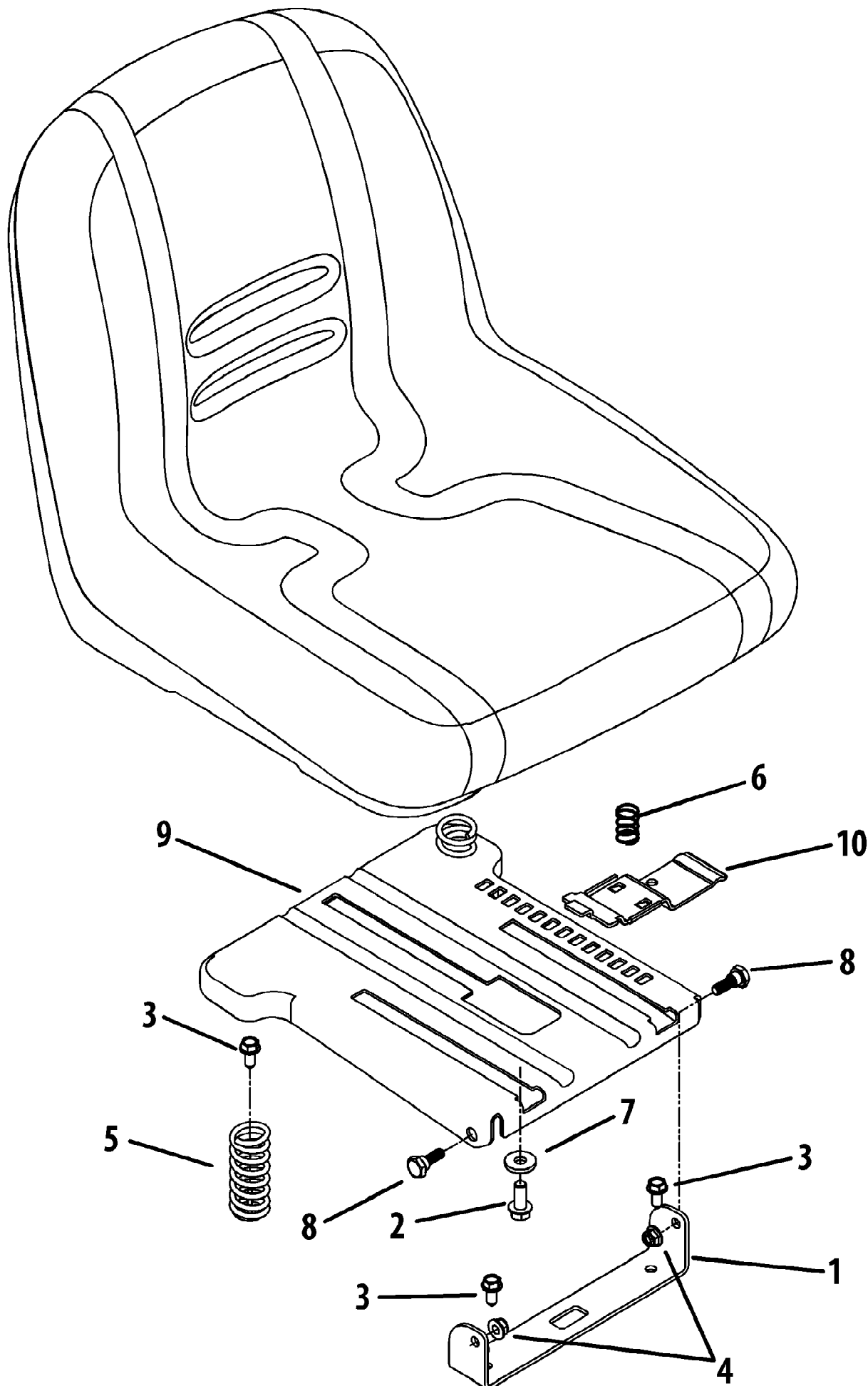
Ref #	Part Number	Qty	S/P/F	Description
	759-3336	1	/P	Spark Plug
	BS-696854	1	/P	Oil Filter
	BS-793685	1		Pre Filter
	BS-793569	1		Air Filter
	BS-691035	1	/P	Fuel Filter
	951-3124D	1	S	Fuel Cap
	725-04439	1		Solenoid
	918-0659	1	S	Deck Spindles
	942-0616A	1	/P	Blades
	712-0417A	1	/P	Blade Nuts
	734-04155	1		Deck Wheels
	N/A	1		Ball Joints
	925-1745A	1	/P	Ignition Keys
	N/A	1		Control Cable
	N/A	1		Deck Engagement Cable
	746-04161	1	S	Throttle Cable
	N/A	1		Upper Drive Belt
	954-04043A	1	/P	Lower Drive Belt
	954-04137A	1	/P	Deck Spindle Belt
	N/A	1		PTO Belt
	725-04363	1		Safety Switch - Brake
	725-04363	1		Safety Switch - Deck
	931-1032B	1	/P	Discharge Chute
	N/A	1		Mulch Plug
	925-1707D	1	/P	Battery



17AJ2ACG897 RZT42 (2010)
Rear Drive & Wheels

Page 21 of 29

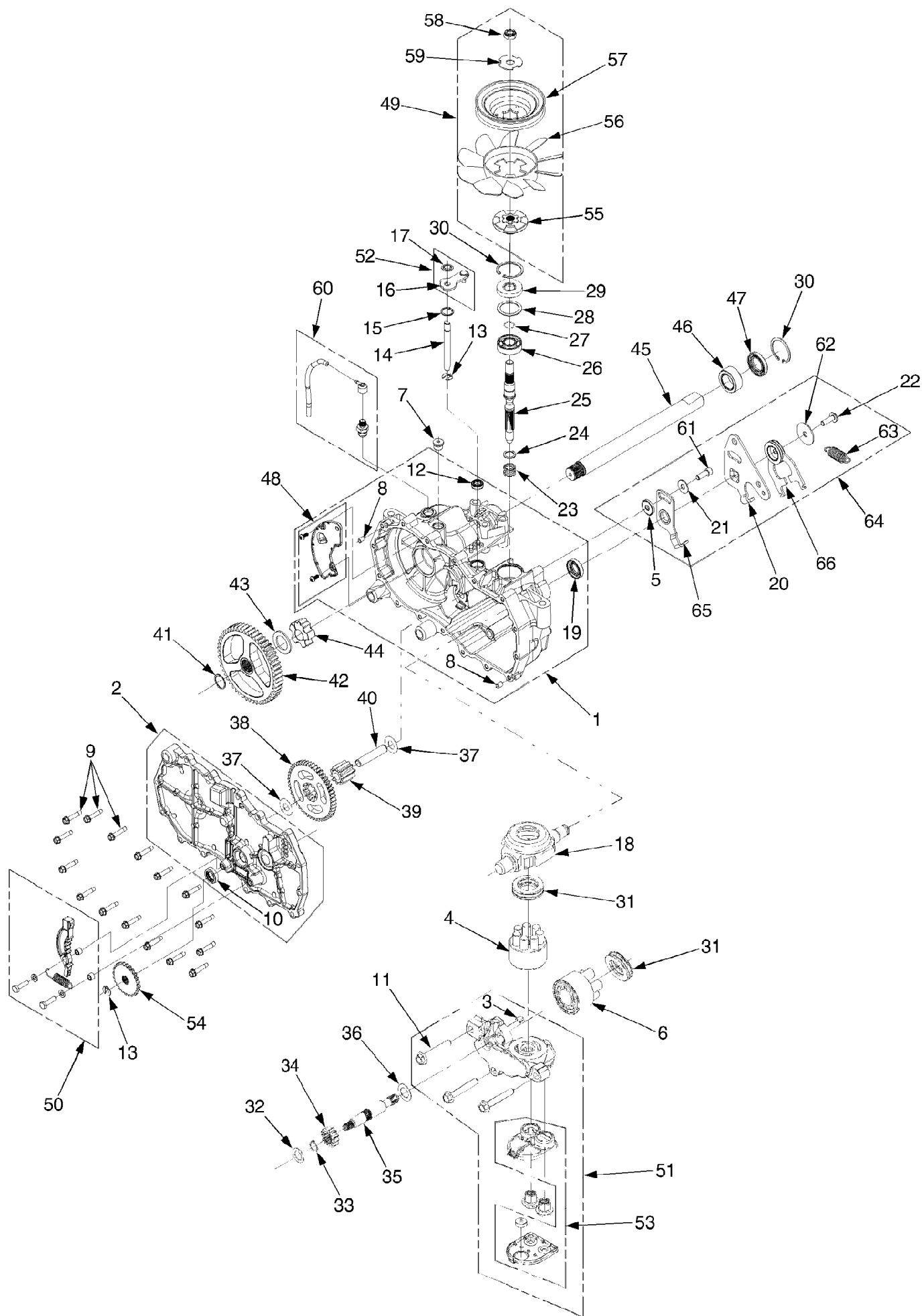
Ref #	Part Number	Qty	S/P/F	Description
1	918-04317	1	/P	Wheel Hub
2	918-04431A	1	/P	Transmission Ass'y, LH
3	918-04432A	1	/P	Transmission Ass'y, RH
4	634-04294	1		Wheel Assembly - 42 Inch Model
4	734-04246-0901	1		Tire Only - 42 Inch Model Not shown
4	603-04173-0662	1	/P	Rim Only - 42 Inch Model Not shown
4	934-0255	1	/P	Valve Not shown
4	634-04171	1	S	Wheel Assembly - 50 Inch Model
4	734-1729	1		Tire Only - 50 Inch Model Not shown
4	603-04175-0499	1		Rim Only - 50 Inch Model Not shown
4	934-0255	1	/P	Valve Not shown
5	710-0176	1	/P	Hex Scr 5/16-18 x 2.75
6	710-0395	1	/P	Hex Bolt 5/16-18 x 2.25
7	710-3119	1	/P	Hex Cap Lock Scr. 3/8-16 x .75 Gr.
8	712-04063	1	/P	Flange Locknut 5/16-18 Gr. F, Nylon
9	712-0459	1	/P	Flange Lock Nut, 7/16-20
10	712-3050	1	/P	Lub Nut, 7/16-14
11	714-04040	1		Cotter Pin, Bow Tie
12	936-0227	1	/P	Flat Washer .39 ID x 1.5 OD x .135
13	738-04192	1		Rod, .405 x 14.0
14	747-04217C-0637	1	/P	Rod, Bypass
15	750-04561	1		Tube, .45 x .69 x 10.2
16	954-04043A	1	/P	V-Belt, Type A Sec x 57.7



17AJ2ACG897 RZT42 (2010)
Seat Adjustment

Page 23 of 29

Ref #	Part Number	Qty	S/P/F	Description
1	703-06941-0606	1		Seat Bracket
2	710-04482	1		Hex Flange Bolt 3/8-16 x .875 Seat bolt stop, one used
3	710-04484	1		Hex Washer Screw 5/16-18 x .75
4	712-04063	1	/P	Flange Locknut 5/16-18 Gr. F, Nylon
5	732-04035	1		Compression Spring
6	732-04563	1		Compression Spring
7	736-0258	1	/P	Flat WAsher .385 x 1.0 x .135
8	938-0296	1	/P	Shoulder Screw
9	783-06049-0606	1		Seat Mount Bracket
10	783-06050	1		Seat Adjustment Lever



17AJ2ACG897 RZT42 (2010)
Transmission LH

Page 25 of 29

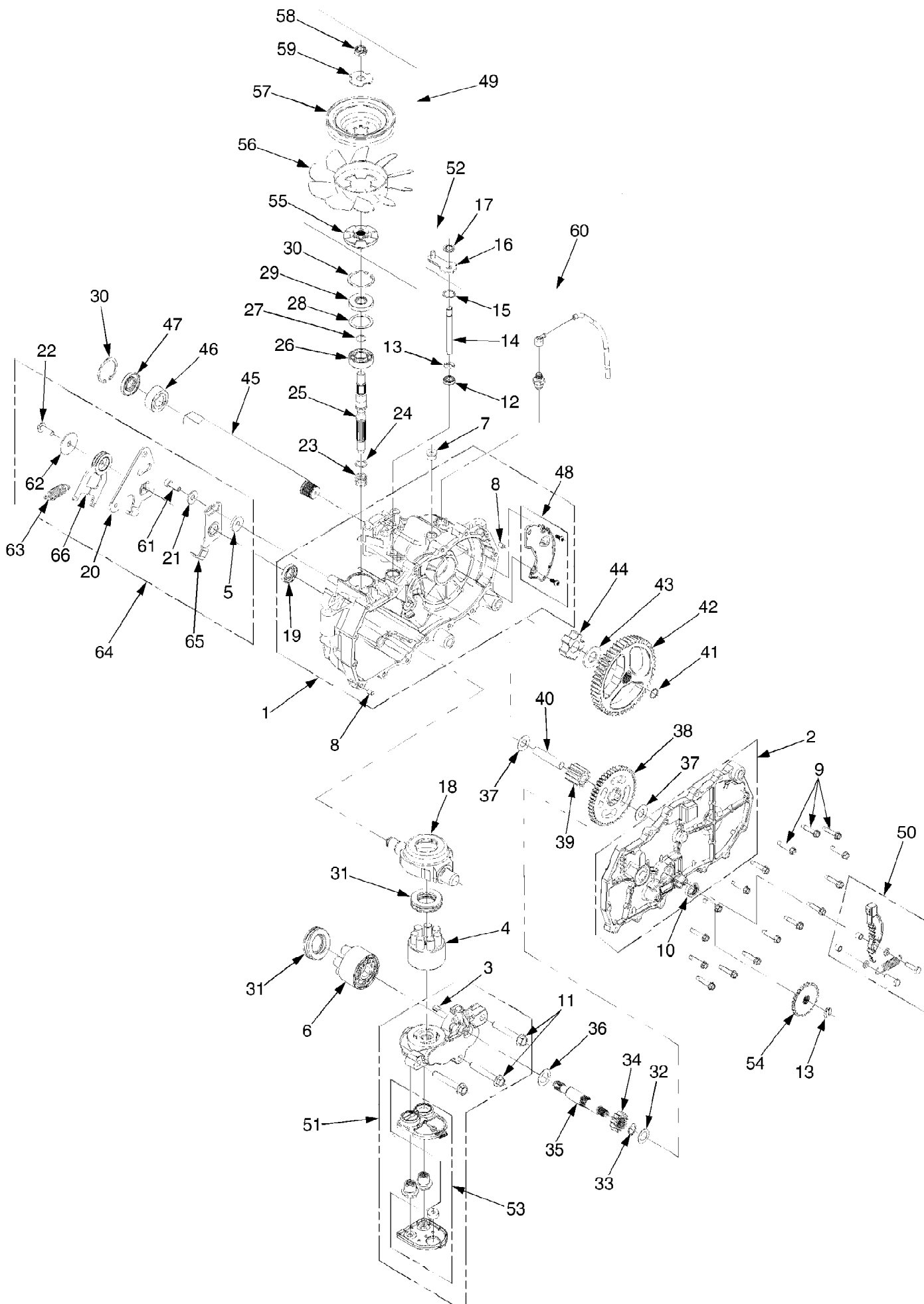
Ref #	Part Number	Qty	S/P/F	Description
1	HG-70862L	1	/P	Housing Ass'y, Main LH
2	HG-70863L	1	/P	Side Assembly LH
3	HG-51448	1		Plate, Bypass
4	HG-70723	1	/P	Block Kit - 7 Piston
5	HG-52527	1		Spacer, .32 x 1.005 x .179
6	HG-70331	1	/P	Block Assembly, Cylinder
7	HG-9005110-5600	1	/P	Straight Thread Pipe
8	HG-9004800-2506	1		Std. Handle Pin
9	HG-51190	1	/P	Hex Flange Screw
10	HG-70719	1	/P	Oil Seal .625 x 1.0 x .25
11	HG-50016	1		Screw
12	HG-51626	1		Seal, Lip
13	HG-51628	1	/P	Retaining Ring .375 Ext.
14	HG-51625	1		Rod, Bypass
15	HG-51627	1		Retaining Ring .75 Int.
16	HG-51910	1		Arm, Bypass
17	HG-51630	1	/P	Retaining Ring
18	HG-51048	1	/P	Swashplate, trunnion
19	HG-51140	1	/P	Seal, Lip
20	HG-51842	1		Control Arm LH
21	736-0371	1	/P	Washer 7/16 x 7/8 x .060
22	HG-51812	1	/P	Screw, 5/16-24 x 1.0
23	HG-2003014	1	/P	Block Washer
24	HG-2003017	1	/P	Block Thrust Washer
25	HG-51062	1	/P	Input Shaft
26	HG-50315	1		Ball Bearing
27	HG-2000022	1	/P	Retaining Ring
28	HG-50951	1	/P	Spacer
29	HG-51161	1	/P	Lip Seal
30	HG-50329	1	/P	Retaining Ring
31	HG-50551P	1	/P	Thrust Washer
32	HG-44371	1	/P	Flat Washer 5/8 x 1.0 x .05
33	HG-44145	1		Retaining Ring
34	HG-51130	1		Gear, Pinion, 13T
35	HG-51632	1		Shaft, Motor
36	HG-51069	1		Motor Shaft Washer
37	HG-50132	1	/P	Washer, HT
38	HG-51129	1		Gear, 10T/48T
39	HG-51043	1	/P	Gear, 10T Jackshaft
40	HG-51083	1		Pin, Jackshaft
41	HG-52531	1		Retaining Ring
42	HG-52541	1		Gear, Bull, 52T
43	HG-52532	1		Washer, 1.018 x 1.57 x .105
44	HG-52542	1		Sleeve Bearing
45	HG-52545	1		Shaft, Axle, 1.0 x 11.7
46	HG-51517	1	/P	Bearing, Sleeve
47	HG-51518	1	/P	Seal, Lip
48	HG-70868L	1		Plate Kit, Expansion
49	HG-71351	1	S	Kit, Fan Pulley
50	HG-71356	1		Kit, Brake Arm
51	HG-71529	1		Kit, Center Section
52	HG-71006	1		Kit, Bypass Arm RH
53	HG-71497	1	/P	Filter Assembly

17AJ2ACG897 RZT42 (2010)
Transmission LH

Page 26 of 29

Ref #	Part Number	Qty	S/P/F	Description
54	HG-51635	1	/P	Disc, Brake Cog
55	HG-52366	1		Hub, Pulley
56	HG-52365	1		Fan, 7" 10 Blade
57	HG-52364	1		Pulley, 4.5
58	912-0346	1	/P	Hex Ins. L-Nut 1/2-20
59	HG-51523	1		OD Slotted Washer
60	HG-71510	1	/P	Breather Kit
61	HG-71341	1	/P	Screw, Patch 5/16-24 x 1
62	HG-51950	1		Washer, .343 x 1.5 x .062
63	732-04448	1	/P	Extension Spring
64	HG-71094	1		Kit, Return Ass'y LH
65	HG-51946	1		Neutral Arm RH
66	HG-52432	1		Scissors Arm Kit

17AJ2ACG897 RZT42 (2010)
Transmission RH



17AJ2ACG897 RZT42 (2010)
Transmission RH

Page 28 of 29

Ref #	Part Number	Qty	S/P/F	Description
1	HG-70862R	1	/P	Housing Ass'y, Main RH
2	HG-70863R	1	/P	Side Ass'y RH
3	HG-51448	1		Plate, Bypass
4	HG-70723	1	/P	Block Kit - 7 Piston
5	HG-52527	1		Spacer, .32 x 1.005 x .179
6	HG-70331	1	/P	Block Assembly, Cylinder
7	HG-9005110-5600	1	/P	Straight Thread Pipe
8	HG-9004800-2506	1		Std. Handle Pin
9	HG-51190	1	/P	Hex Flange Screw
10	HG-70719	1	/P	Oil Seal .625 x 1.0 x .25
11	HG-50016	1		Screw
12	HG-51626	1		Seal, Lip
13	HG-51628	1	/P	Retaining Ring .375 Ext.
14	HG-51625	1		Rod, Bypass
15	HG-51627	1		Retaining Ring .75 Int.
16	HG-51910	1		Arm, Bypass
17	HG-51630	1	/P	Retaining Ring
18	HG-51048	1	/P	Swashplate, trunnion
19	HG-51140	1	/P	Seal, Lip
20	HG-51841	1	/P	Control Arm RH
21	736-0371	1	/P	Washer 7/16 x 7/8 x .060
22	HG-51812	1	/P	Screw, 5/16-24 x 1.0
23	HG-2003014	1	/P	Block Washer
24	HG-2003017	1	/P	Block Thrust Washer
25	HG-51062	1	/P	Input Shaft
26	HG-50315	1		Ball Bearing
27	HG-2000022	1	/P	Retaining Ring
28	HG-50951	1	/P	Spacer
29	HG-51161	1	/P	Lip Seal
30	HG-50329	1	/P	Retaining Ring
31	HG-50551P	1	/P	Thrust Washer
32	HG-44371	1	/P	Flat Washer 5/8 x 1.0 x .05
33	HG-44145	1		Retaining Ring
34	HG-51130	1		Gear, Pinion, 13T
35	HG-51632	1		Shaft, Motor
36	HG-51069	1		Motor Shaft Washer
37	HG-50132	1	/P	Washer, HT
38	HG-51129	1		Gear, 10T/48T
39	HG-51043	1	/P	Gear, 10T Jackshaft
40	HG-51083	1		Pin, Jackshaft
41	HG-52531	1		Retaining Ring
42	HG-52541	1		Gear, Bull, 52T
43	HG-52532	1		Washer, 1.018 x 1.57
44	HG-52542	1		Sleeve Bearing
45	HG-52545	1		Shaft, Axle, 1.0 x 11.7
46	HG-51517	1	/P	Bearing, Sleeve
47	HG-51518	1	/P	Seal, Lip
48	HG-70868R	1		Plate Kit, Expansion RH
49	HG-71351	1	S	Kit, Fan Pulley
50	HG-71356	1		Kit, Brake Arm
51	HG-71530	1		Kit, Center Section RH
52	HG-71006	1		Kit, Bypass Arm RH
53	HG-71497	1	/P	Filter Assembly

17AJ2ACG897 RZT42 (2010)
Transmission RH

Page 29 of 29

Ref #	Part Number	Qty	S/P/F	Description
54	HG-51635	1	/P	Disc, Brake Cog
55	HG-52366	1		Hub, Pulley
56	HG-52365	1		Fan, 7" 10 Blade
57	HG-52364	1		Pulley, 4.5
58	912-0346	1	/P	Hex Ins. L-Nut 1/2-20
58	HG-70853	1	/P	Seal Kit
58	HG-50928	1	/P	Sealant
59	HG-51523	1		OD Slotted Washer
60	HG-71510	1	/P	Breather Kit
60	HG-71510	1	/P	Breather Kit
60	HG-71510	1	/P	Breather Kit
61	HG-71341	1	/P	Screw, Patch 5/16-24 x
61	HG-51616	1	S	Screw, Patch 5/16-24 x
62	HG-51950	1		Washer, .343 x 1.5 x .062
63	732-04448	1	/P	Extension Spring
64	HG-71095	1		Kit, Return Assembly RH
65	HG-51945	1		Arm, Neutral
66	HG-52432	1		Scissors Arm Kit