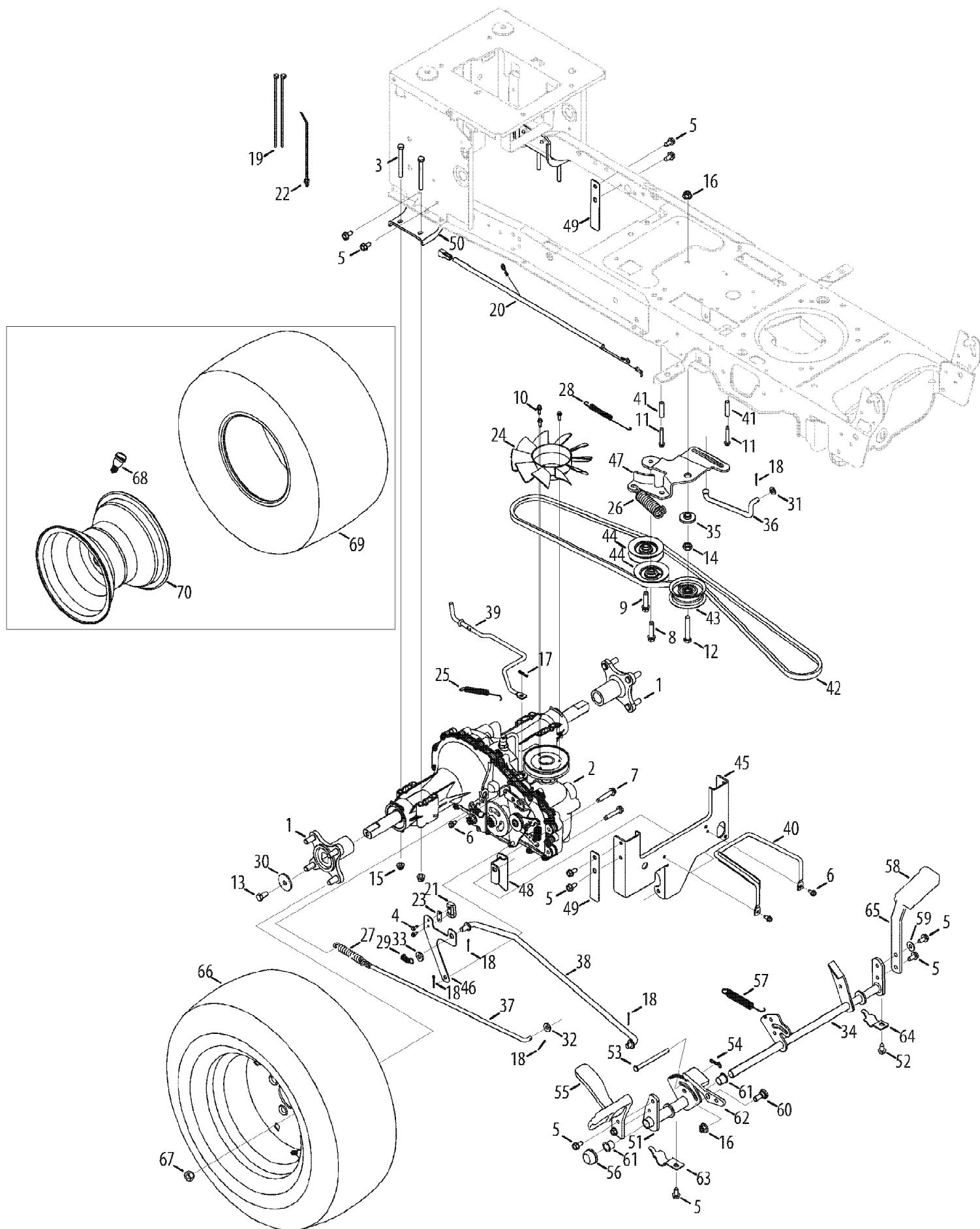


14AQ94GK897 (2010)  
Drive Assembly



14AQ94GK897 (2010)  
Drive Assembly

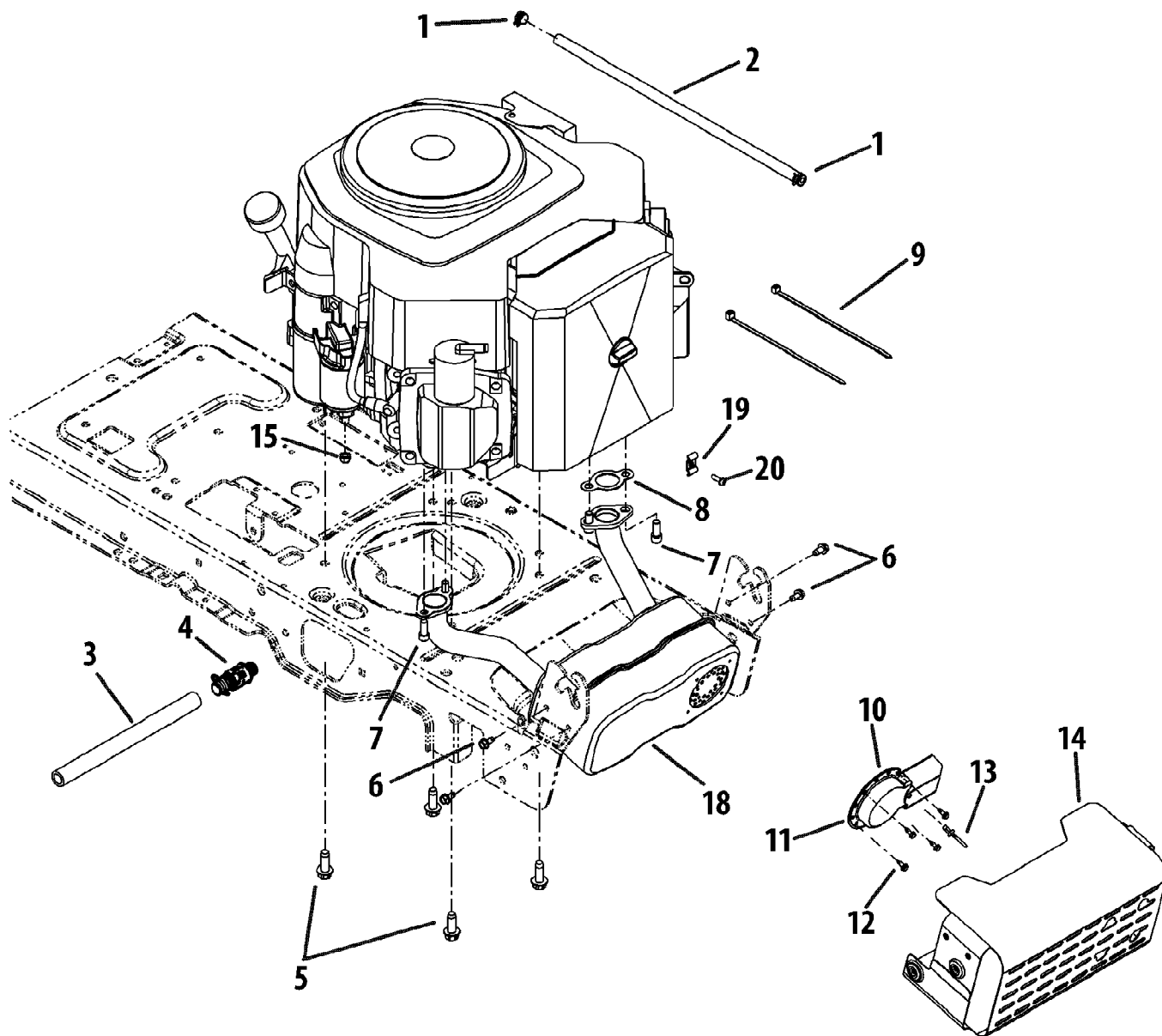
Page 2 of 20

Ref #	Part Number	Qty	S/P/F	Description
1	918-04317	1	/P	Wheel Hub
2	918-04917	1		Transmission
3	710-0189	1	/P	Hex Screw 5/16-18 X 3.00
4	710-0227	1	/P	Hex Wash HD AB S-Tapp Scr #8-.50
5	710-04484	1		Hex Wash Hd. Tapp Scr. 5/16-18 x .75
6	710-0599	1	/P	Hex Wash S-Tapp Scr 1/4-20 x .50
7	710-0909A	1	/P	Hex Wash TT-Tap Scr 5/16-18 x 1.75 Lg.
8	710-1007	1	/P	Hex L-Wash HD Scr 3/8-16 x 1.5
9	710-1008	1		Hex L-Wash TT Scr. 3/8-16 x 1.88
10	710-1189	1		Screw, #12-24 x .625
11	710-1325	1	/P	Hex Washer Hd. TT Screw 1/4-20 x 1.625
12	710-3011	1	/P	Hex Bolt 3/8-16 x 2.25" Lg.
13	710-3119	1	/P	Hex Cap Lock Screw 3/8-16 x .75 Gr. 5
14	912-0240	1	/P	Hex Jam Nut 7/16-20
15	712-04063	1	/P	Flange Locknut 5/16-18 Gr. F, Nylon
16	712-04065	1	/P	Flange Locknut 3/8-16 Gr. F Nylon
17	914-0104	1	/P	Int. Cotter Pin .072 x 1.13" Lg.
18	914-0111	1	/P	Cotter Pin 3/32 dia x 1.00 Lg.
19	725-0157	1	/P	Cable Tie
20	725-04791A	1		Jumper Harness
21	725-1644	1		Short Spring Switch
22	926-0154	1	/P	Push Mount Tie
23	926-0320	1	/P	Insulator Nut Plate
24	931-1449A	1	/P	Fan
25	732-04528	1		Extension Spring .50 dia. x 5.0" Lg.
26	732-04624	1		Extension Spring 1.0 dia. x 4.75" Lg.
27	732-0716D	1	/P	Extension Spring .59 dia. x 4.0" Lg.
28	732-0932	1		Extension Spring .38 dia. x 5.6" Lg.
29	732-3118	1		Extension Spring 3/8 dia. x 1.44" Lg.
30	936-0227	1	/P	Flat Washer .39 ID x 1.5 OD x .135
31	936-0264	1	/P	Flat Washer .344 ID x .625 OD x .063
32	936-3008	1	/P	Flat Washer .312 ID x .75 OD
33	736-3010	1		Flat Washer .406 ID x .812 OD x .134
34	647-04152A	1		Brake Control Ass'y
35	738-04420	1		Shoulder Spacer 1.375 x .380 x .183
36	747-04957A	1		Footpedal Bypass Rod
37	747-05124	1		Brake Rod
38	747-05125A	1	/P	Control Rod
39	747-05130	1		Disengage Rod
40	747-05181	1		Belt Keeper
41	750-04456	1		Spacer .260 x .372 x 1.420
42	954-04244A	1		V-Belt, 4L x 77.0
43	756-04224	1	/P	Idler Pulley, Flat 2.75 OD
44	756-04325	1	/P	Idler Pulley V-Type x 3.06
45	783-05443A-0637	1		Torque Bracket
46	783-05841	1		Switch Bracket
47	783-06027A	1		Idler Bracket (Centre Double)
48	783-06501A-0637	1		Deck Bracket
49	783-06503	1		Plate Bracket
50	783-0693A-0637	1		Axle Bracket
51	783-04621-0637	1	/P	Grill Pivot Bracket
52	710-0604A	1	/P	Self-tapping Screw 5/16-18 x .625
53	711-05068	1		Self-tapping Screw 5/16 x 3.985

14AQ94GK897 (2010)  
Drive Assembly

Page 3 of 20

Ref #	Part Number	Qty	S/P/F	Description
54	714-04040	1		Bow-Tie Cotter Pin
55	719-0584B-0637	1	/P	Control Pedal
56	726-0214	1	/P	Push Cap 5/8" Dia Rod
57	732-04587	1		Extension Spring .63 dia. x 4.95
58	735-04136	1		Brake Pedal Pad
59	736-0242	1	/P	Cupped Washer .345 ID x .88 OD x .060
60	938-0380	1	/P	Shoulder Screw .500 x .25
61	741-0495	1	/P	Nyliner Flanged Brg.
62	748-04203	1		Cruise Latch
63	783-05914	1		Pedal Strap Support Bracket
64	783-05940	1		Pedal Strap Support Bracket
65	783-06103A-0637	1		Brake Pedal Bracket
66	634-0202A-0911	1	/P	Wheel Ass'y
67	712-3050	1	/P	Nut, 7/16-14
68	934-0255	1	/P	Air Valve
69	734-04147-0901	1	/P	Tire
70	634-04238-0662	1	/P	Rim Assembly

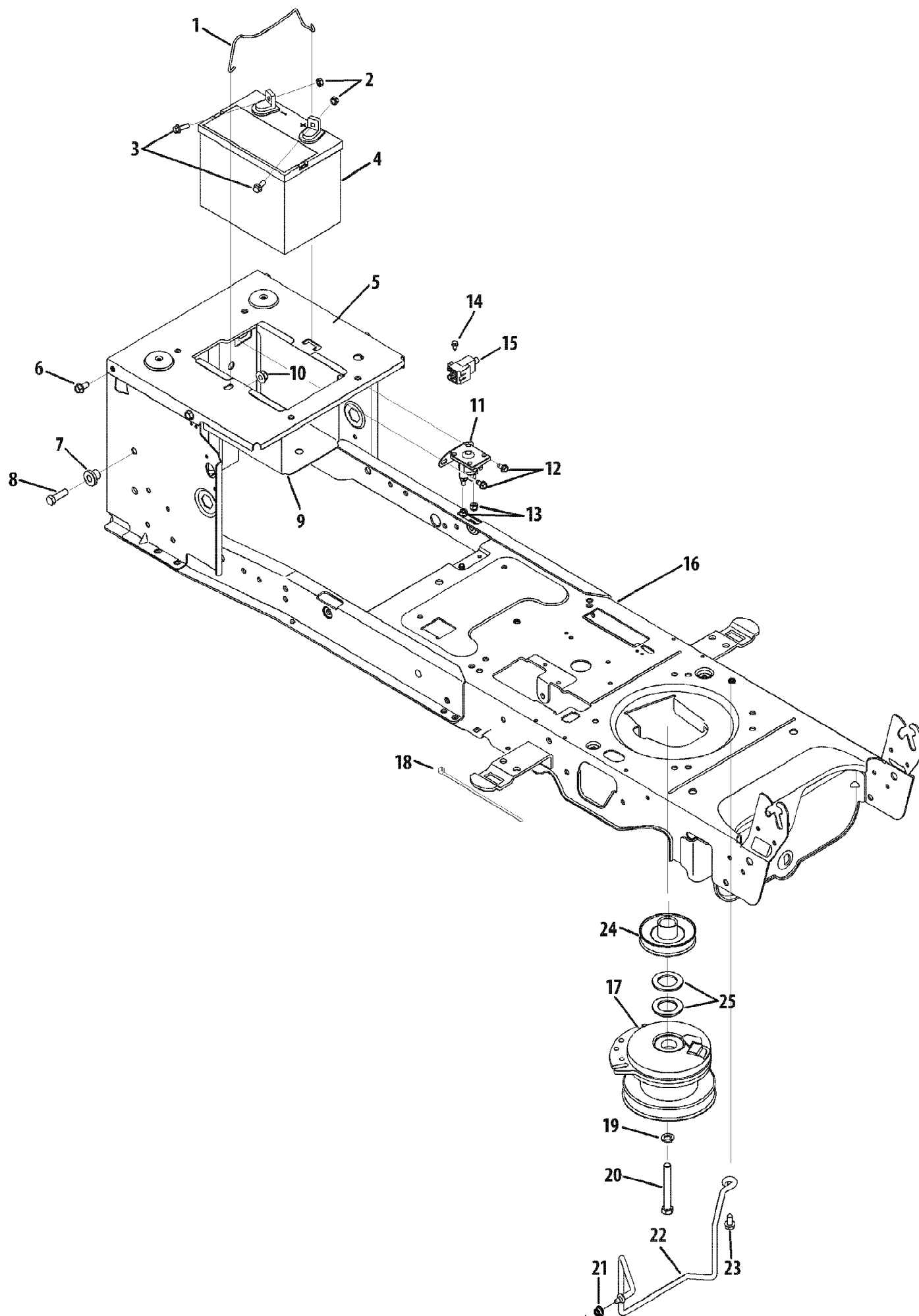


14AQ94GK897 (2010)  
Engine Accessories

Page 5 of 20

Ref #	Part Number	Qty	S/P/F	Description
1	726-0205	1	/P	Hose Clamp
2	751-10349-28	1	/P	Fuel Line
3	751-3141-14	1	/P	Oil Drain Hose
4	951-10517A	1	/P	Oil Drain
5	710-04683	1		TT Screw 3/8-16 x 1.00
6	710-0599	1	/P	Hex Wash S-Tapp Screw 1/4-20 x .50
7	710-1314A	1	/P	Screw. 5/16-18 x .75
8	721-0377A	1	S	Exhaust Gasket
9	725-0157	1	/P	Cable Tie
10	751-0564B	1	/P	Muffler Deflector
11	751-10353	1		Long Muffler Deflector
12	710-0227	1	/P	Hex AB Screw #8-18 x .50
13	728-04000	1		Pop Rivet
14	683-04549-0637	1	/P	Muffler Shield Assembly
18	751-10528A	1	/P	Muffler
19	751K4723702	1	/P	Dual Conduit Clamp
20	KH-24-086-43-S	1		Tap Screw, M5 x .8

14AQ94GK897 (2010)  
Frame & PTO

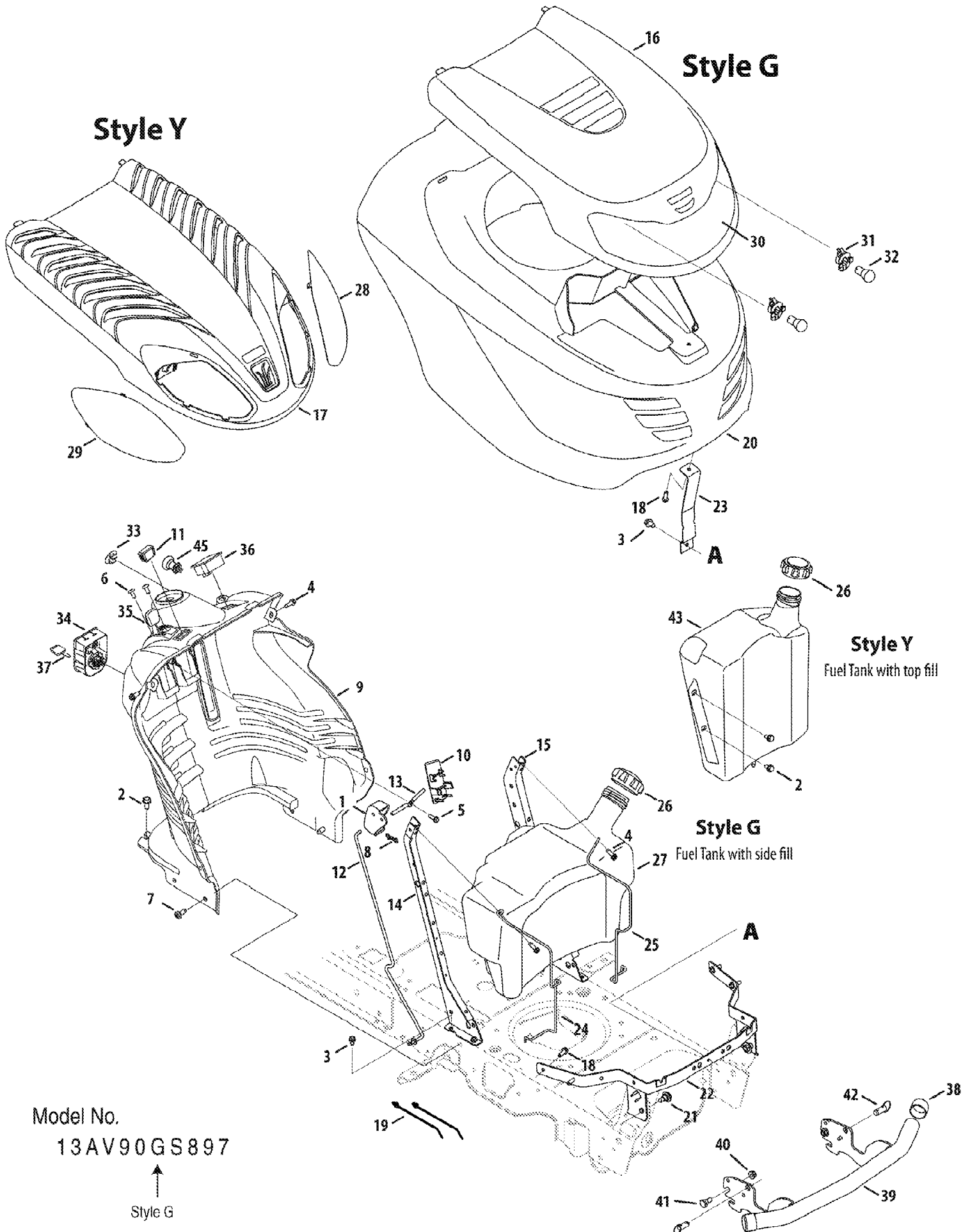


14AQ94GK897 (2010)  
Frame & PTO

Page 7 of 20

Ref #	Part Number	Qty	S/P/F	Description
1	747-04121A	1		Battery Hold Down Rod
2	712-0271	1	/P	Sems Hex Nut 1/4-20
3	710-04666	1		Hex Hd. Flg. Screw. 1/4-20 x .75 Gr. 5
4	925-1707D	1	/P	Battery
5	783-06089-0637	1		Seat Frame Bracket
6	710-04484	1		Hex Wash Hd. Tapp Screw. 5/16-18 x .75
7	738-04058	1		Shoulder Spacer .38 x 1.0 x .70
8	710-3005	1	/P	Hex Bolt 3/8-16 x 1.25
9	783-0349-0637	1		Battery Tray
10	712-04065	1	/P	Flange Lock-Nut 3/8-16 Gr. F Nylon
11	725-04439	1		Solenoid
12	710-0653	1	/P	Hex Wash HD Tapp Screw 1/4-20 x .375
13	712-04064	1	/P	Hex L-Flanged Nut 1/4-20 Gr. F Nylon
14	738-04237A	1		Shoulder Screw #10-32 x .50
15	725-04363	1		Switch, Interlock
16	683-04469A-0606	1		Lower Frame Assembly
17	917-1774C	1	/P	Electric PTO Clutch (54)
18	725-0157	1	/P	Cable Tie
19	936-0171	1	/P	Lockwasher 7/16 ID
20	710-04379A	1		Hex Cap Lock Screw 7/16-20 x 3.5 Gr. 5
21	712-04063	1	/P	Flange Locknut 5/16-18 Gr. F, Nylon
22	747-05195	1		Keeper Rod (54")
23	710-04484	1		Hex Wash Hd. Tapp Screw. 5/16-18 x .75
24	756-0978B	1	/P	Engine Pulley
25	736-0277	1		Flat Washer 1.03 ID x 1.64 OD x .095

14AQ94GK897 (2010)  
Hood & Grille



Model No.  
13AV90GS897  
↑  
Style G



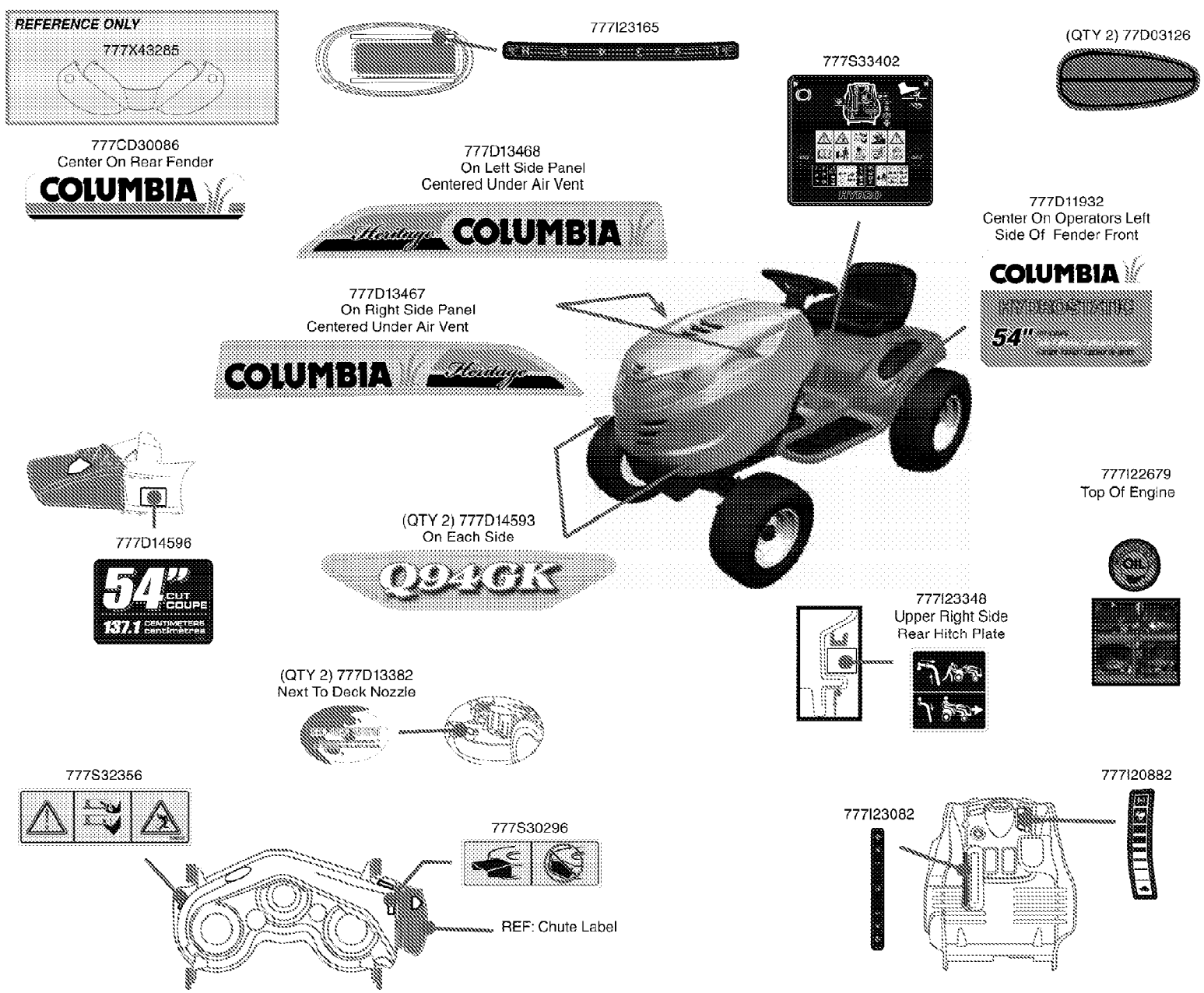
14AQ94GK897 (2010)  
Hood & Grille

Page 9 of 20

Ref #	Part Number	Qty	S/P/F	Description
1	631-04353P	1	/P	Dash Lever
2	710-04484	1		S-Tapp Screw 5/16-18 x .75
3	710-0599	1	/P	Hex Wash S-Tapp Screw 1/4-20 x .50
4	710-0642	1	/P	Hex TT Screw 1/4-20 x .75
5	710-0895	1		Hex Tapp Screw 1/4 x .75" Lg.
6	710-1017	1	/P	Torx Mach. AB-Tapp Screw. 1/4-14 x .625 Lg
7	710-1611B	1	/P	Screw 5/16-18 x .75
8	714-04040	1		Bow-Tie Cotter Pin
9	931-06621	1	/P	Dash Panel (Elect. PTO w/ fuel level window)
10	731-06643	1		Cruise Cover Y/G Style
11	731-07042	1		Light Switch Cap
12	747-05008B	1		Latch Control Rod
13	747-1155	1		Pivot Rod
14	783-04285F-0637	1	/P	RH Dash Support Plate
15	783-04323F-0637	1	/P	LH Dash Support Plate
16	931-04308	1	/P	Upper "G" Style Hood
17	931-04307	1	/P	Upper "Y" Style Hood
18	710-05108	1		Screw, Bos, 1/4 Dia. x .75
19	926-0154	1	/P	Cable Tie
20	931-06538	1	/P	G Style Hood (w/side fill fuel tank)
21	738-04091A	1	/P	Shoulder Screw .43 x .29, 5/16-18
22	783-04606C-0637	1	/P	Hood Pivot Bracket
23	783-06117-0637	1	/P	Hood Support Bracket
24	747-05049	1		Tank Support Rod RH
25	747-05050	1		Tank Support Rod LH
26	751-0603A	1	/P	Cap-Fuel
27	951-10573	1	/P	Fuel Tank 2.75 Gal. (side fill)
28	N/A	1		Lens LH - Style "Y" Not used in this application
29	N/A	1		Lens RH - Style "Y" Not used in this application
30	931-06564	1	/P	Lens (Style G)
30	777X43285	1		Reflector La bel
31	925-1649	1	/P	Socket
32	925-0963	1	/P	Miniature Lamp 12V Socket Type
33	731-1999	1		Choke Plug
34	925-04230B	1	/P	Key Switch Module
35	746-04364	1		Throttle/Choke Cont. Cable 25" Lg.
36	925-04036C	1	/P	Am Meter
37	925-1745A	1	/P	Ignition Key w/Plastic Cover
38	731-05674	1		Bumper Cap
39	683-04219B-0637	1	/P	Bumper Assembly
40	912-3000	1	/P	Hex Lock-Nut 3/8-16 Gr.B
41	738-0143	1	/P	Shoulder Screw. .498 x .340: 3/8-16
42	714-04061	1		Quick Pin 1/2" dia. x 0.50
43	N/A	1		Fuel Tank 2.0 Gal. (top fill) Not used un this application
43	N/A	1		Fuel Tank 3.0 Gal. (top fill) Not used un this application
44	732-04580	1		Extension Spring (w/Electric PTO only)
45	925-04174	1	/P	Electric PTO Switch

14AQ94GK897 (2010)  
Hood & Grille

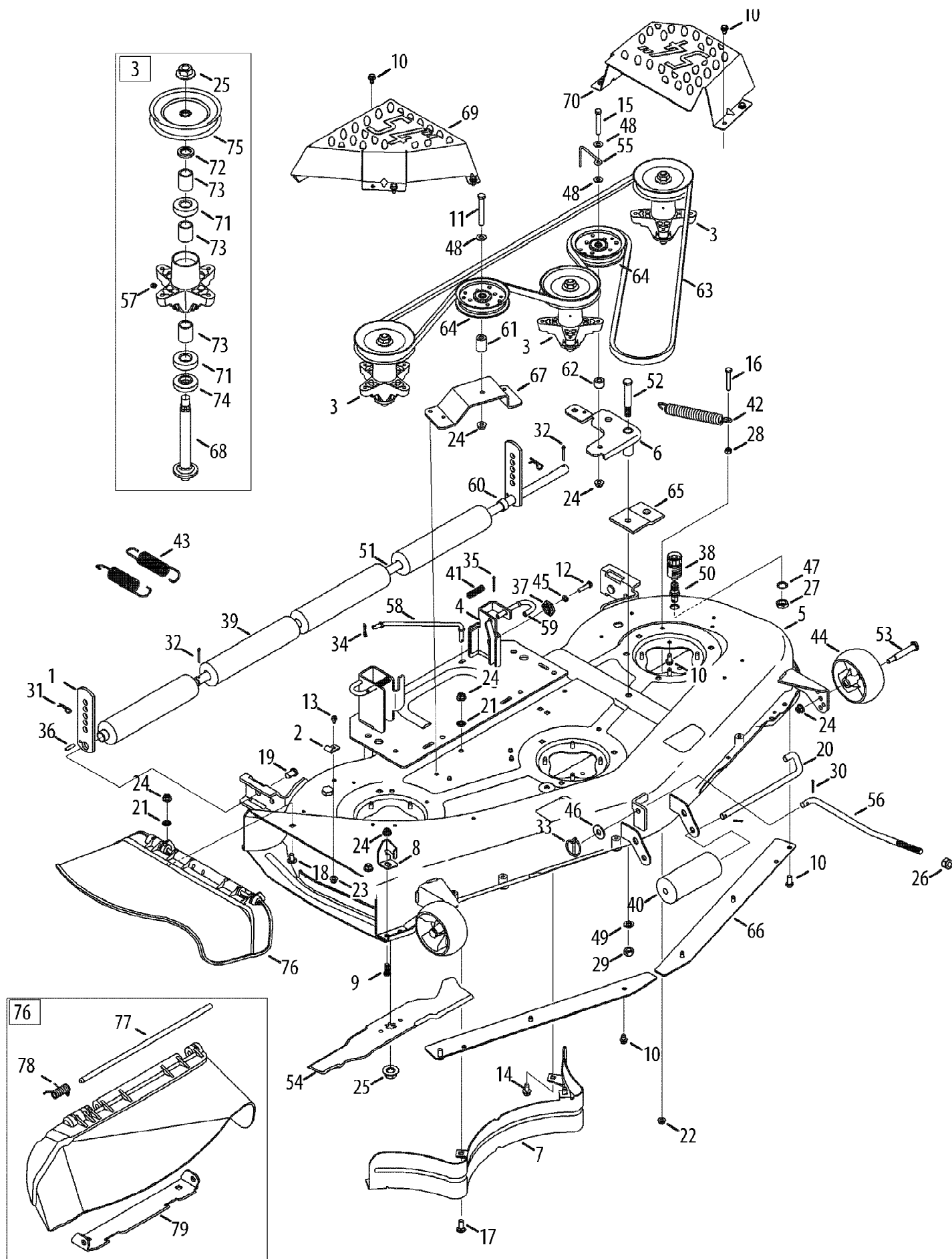
Ref #	Part Number	Qty	S/P/F	Description
	925-04105	1	/P	Harness (Man PTO/RMC/Hr. Meter)
	925-04104	1	/P	Harness (Elect. PTO/RMC/Hr. Me ter)



14AQ94GK897 (2010)  
Label Map

Page 12 of 20

Ref #	Part Number	Qty	S/P/F	Description
777X43285	777X43285	1		LABEL-REFLECTOR G STYLE
777CD30086	777CD30086	1		LABEL-REAR FENDER COLUMBIA
777I23165	777I23165	1		LABEL-RIDER RT99 DECK HT POD
777D13468	777D13468	1		LABEL-RIDER HOOD LH COLUMBIA
777D13467	777D13467	1		LABEL-RIDER HOOD RH COLUMBIA
777D14593	777D14593	1		LABEL-RDR:COLUMBIA Q94GK
777D14596	777D14596	1		LABEL-RDR/DK:YMACH/CAN:54/METRIC
777D13382	777D13382	1		LABEL-DECK WASH
777S32356	777S32356	1		LABEL-RIDER SAFETY
777S30296	777S30296	1		LABEL-RIDER DECK:
777I23082	777I23082	1		LABEL-RIDER NX-9 GAS GUAGE
777I20882	777I20882	1		LABEL-DASH THROTTLE
777I23348	777I23348	1		LABEL-TRNSMSN RELEASE
777I22679	777I22679	1		LABEL-CHECK ENG OIL
777D11932	777D11932	1		LABEL-HYD 54" FNDR COLUMBIA
777D03126	777D03126	1		LABEL-REFLECTOR FNDR
777S33402	777S33402	1		LABEL-RIDER NX9 HYDRO



14AQ94GK897 (2010)  
Mower Deck

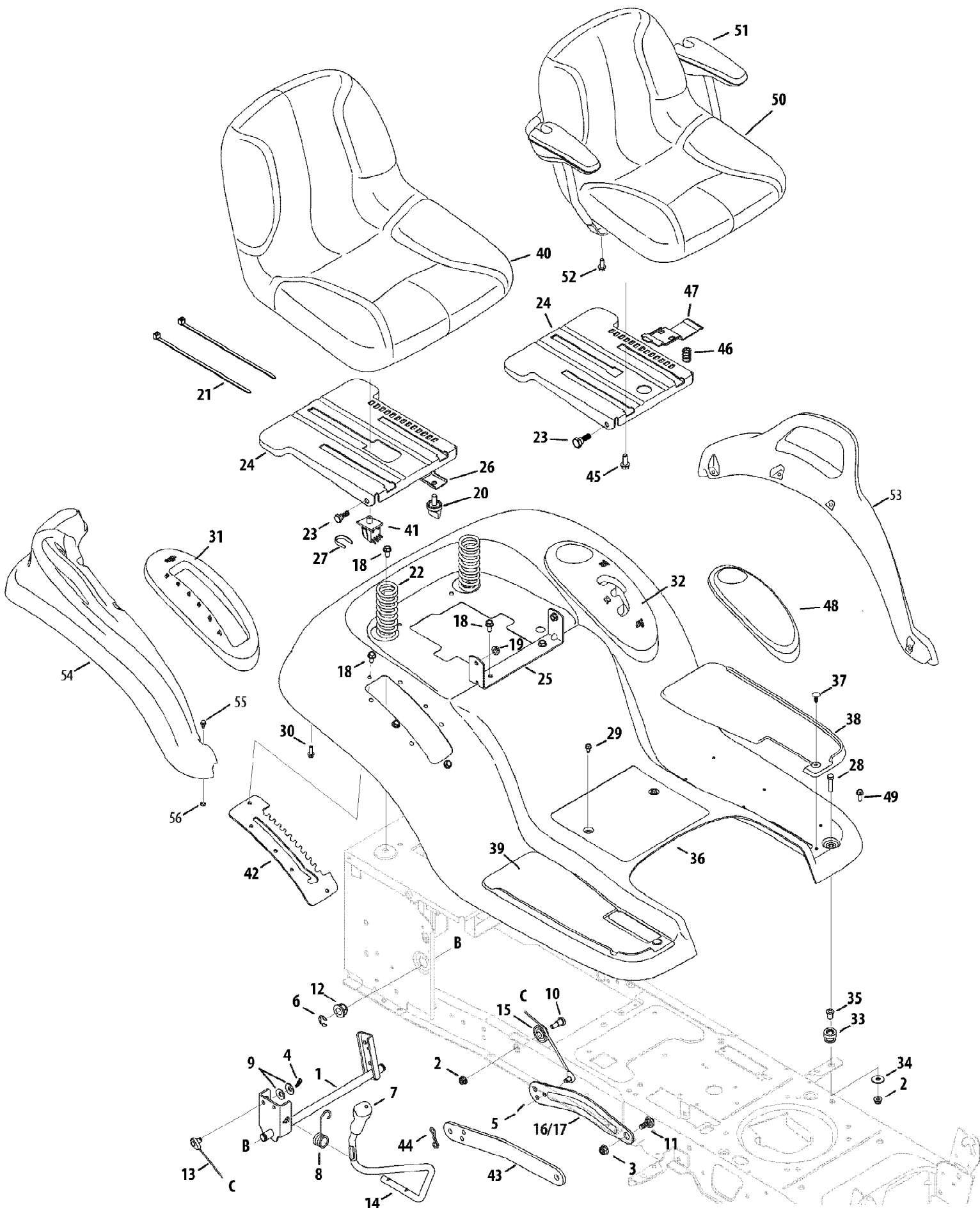
Page 14 of 20

Ref #	Part Number	Qty	S/P/F	Description
1	12650-0637	1		Bracket, Height Adjustment
2	96606	1	/P	Retainer Hook Brkt.
3	918-0671D	1	/P	Spindle Assembly
4	683-0254B-0606	1		Deck Adjustment Bracket w/Weld Nut
5	983-04585-0606	1	/P	54" Deck
6	683-0459-0637	1		Idler Assembly
7	703-2093-0637	1	/P	RR Inner Baffle
8	703-3279-0606	1		Chute Stop Deflector
9	710-04095	1		Screw, 3/8-16 x 1.0
10	710-04484	1		S-Tapp Scr 5/16-18 x .75
11	710-0521	1	/P	Screw, 3/8-16 x 3.0
12	710-0528	1	/P	Hex Bolt 5/16-18 x 1.25
13	710-0597	1	/P	Hex Scr 1/4-20 x 1.00
14	710-0623	1	/P	Screw, 3/8-16 x 0.75
15	710-0859	1	/P	Screw, 3/8-16 x 2.5
16	710-3103	1	/P	Hex Hd Cap Scr. 5/16-18 x 2.0 Gr. 5
17	710-3168	1	/P	Carriage Bolt 3/8-16 x 1.0
18	710-3178	1	/P	Short Neck Carriage Bolt 3/8-16 x .75
19	911-0332	1	/P	Clevis Pin .50 Dia. x .78
20	911-3314	1	/P	Roller Pin .5" Dia x 7.31
21	712-0229	1		Push Nut 3/8
22	712-04063	1	/P	Flange Locknut 5/16-18 Gr. F, Nylon
23	712-04064	1	/P	Flange Lock-Nut 1/4-20 Gr. F Nylon
24	712-04065	1	/P	Flange Lock-Nut 3/8-16 Gr. F Nylon
25	712-0417A	1	/P	Hex Flange Nut 5/8-18
26	712-04243	1		Flexlock Nut, 1/2-13
27	912-0641	1	/P	Hex Nut, M16-1.5
28	912-3010	1	/P	Hex Nut 5/16-18 hd. (Gr. 5)
29	712-3022	1	/P	Hex L-Nut 1/2-13
30	914-0111	1	/P	Cotter Pin 3/32 x 1.0
31	914-0145	1	/P	Cotter Pin
32	714-0162	1	/P	Cotter Pin
33	753-04070	1	/P	Linch Pin .1875
34	714-04040	1		Bow Tie Cotter Pin
35	914-0470	1	/P	Cotter Pin 1/8" Dia x 1.25
36	715-0108	1	/P	Spring Pin 1/4 Dia. x 1.0
37	917-04074	1	/P	Deck Adjustment Gear
38	921-04041	1	/P	Water Nozzle Adapter
39	731-0335	1		Deck Roller
40	731-05679	1		Front Roller
41	732-04652	1		Compression Spring .535 OD x 1.751 Lg.
42	732-04692	1		Extension Spring .85 Dia. x 5.915
43	732-0934	1		Extension Spring 1.5 x 5.99
44	734-04155	1		Deck Wheel 5.0
45	936-0119	1	/P	L-Wash 5/16 ID
46	936-0179	1	/P	Flat Washer .531 x 1.25 x .100
47	736-0225	1	/P	Lockwasher 5/8
48	936-0300	1	/P	Flat Washer .406 x .875 x .059
49	936-0921	1	/P	Lockwasher
50	737-04003D	1	/P	Port, Water
51	738-0295	1		Shaft .75 x 47.12
52	738-1229A	1	/P	Shoulder Screw
53	938-3056	1	/P	Shoulder Screw

14AQ94GK897 (2010)  
Mower Deck

Page 15 of 20

Ref #	Part Number	Qty	S/P/F	Description
54	942-0677B	1	/P	Blade 18.5
55	747-04938	1		Idler Belt Keeper Rod
56	747-05141A	1		Deck Lift Rod
57	937-3000	1	/P	Grease
58	747-05284	1		Deck Sway Rod
59	747-1116	1	/P	Deck Release Pin
60	950-0212	1	/P	Spacer .82 ID x 1.0 OD x .53
61	750-04597	1		Spacer .380 ID x .90 OD x 1.313
62	750-0933	1		Spacer .385 ID x .88 OD x .64
63	954-04083	1		V-Type Belt
64	756-04129B	1	/P	Idler Pulley w/Flange 4.25 Dia
65	783-04013A-0637	1	/P	Bracket, Stabilizing
66	783-04690B-0637	1	/P	Deck Shirt
67	783-04726-0637	1		Idler Bracket
68	738-1197	1		Spindle Shaft, 6.95" Lg.
69	783-1470A-0606	1		Spindle Cover RH
70	783-1471-0606	1		Spindle Cover LH
71	941-0919	1	/P	Ball Bearing .787 ID x 1.85 OD x .551
72	748-0160A	1		Spacer .790 ID x 1.25 OD x .175
73	750-1000	1		Spacer .79 x 1.82 x .55
74	750-1349A	1	/P	Spacer .79 ID x 1.82 OD x .55
75	756-04216	1		Deck Pulley
76	631-04070A	1	/P	Chute Assembly
77	711-04565	1		Hinge Pin
78	732-04372	1		Torsion Spring .44 ID x 2.0
79	783-05030	1		Chute Bracket





14AQ94GK897 (2010)  
Seat & Fender

Page 17 of 20

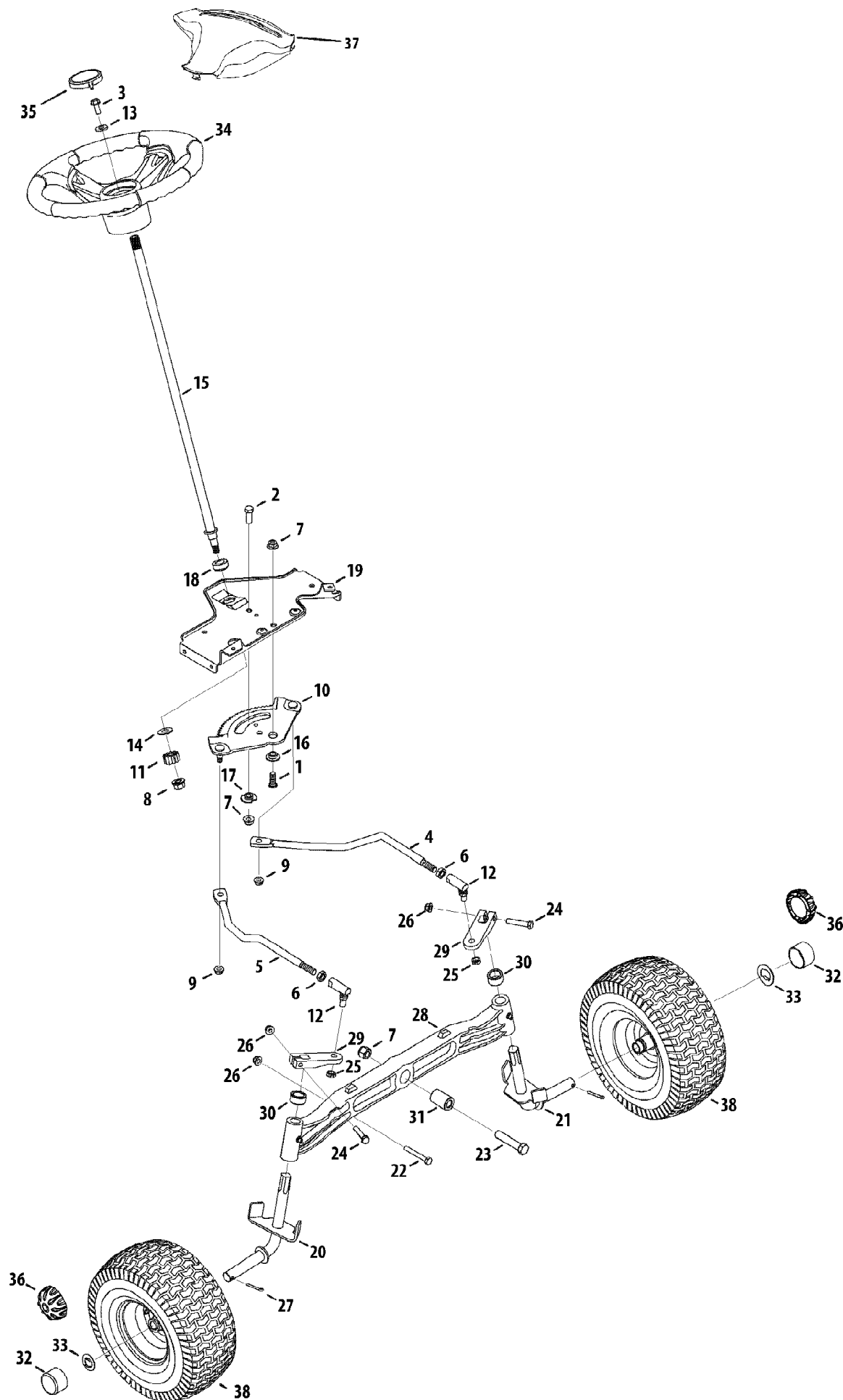
Ref #	Part Number	Qty	S/P/F	Description
1	683-04223-0637	1	/P	Lift Shaft Ass'y
2	712-04063	1	/P	Flange Locknut 5/16-18 Gr. F, Nylon
3	712-04065	1	/P	Flange Lock-Nut 3/8-16 Gr. F Nylon
4	914-0104	1	/P	Int. Cotter Pin .072 x 1.13" Lg.
5	714-04040	1		Bow-Tie Cotter Pin
6	716-0106A	1		E-ring .625 Shaft
7	720-0311	1		Handle Grip
8	732-0874	1	/P	Torsion Spring
9	736-0105	1	/P	Cupped Washer .375 ID x .870 OD x .063
10	738-0138A	1	/P	Shoulder Screw. .437 Dia x .47
11	938-0380	1	/P	Shoulder Screw .500 x .25 (42")
11	738-04130	1		Shoulder Bolt 3/8-16 x .625 (46")
12	941-0225	1	/P	Hex Flange Bearing .630 ID
13	746-0968	1		Lift Cable, 16.16
14	747-04962A	1	/P	Lift Handle
15	756-04331	1		Roller Pulley
16	783-04494C-0637	1	/P	Lift Arm RH
17	783-04711C-0637	1	/P	Lift Arm LH
18	710-04484	1		Hex Wash Hd. Tapp Screw. 5/16-18 x .75
19	712-3004A	1	/P	Hex Flange L-Nut 5/16-18
20	720-04061	1		Knob
21	725-0157	1	/P	Cable Tie
22	732-04561	1		Compression Spring 1.71 x 3.735 x .238
23	938-0296	1	/P	Shoulder Screw
24	783-06049-0606	1		Seat Mounting Bracket
25	783-06088-0606	1		Seat Pivot Bracket
26	783-06266-0637	1	/P	Seat Bracket, Knob adjustment
27	783-06448	1		Switch Retaining Clip
28	710-0528	1	/P	Hex Bolt 5/16-18 x 1.25
29	710-0599	1	/P	Hex Wash S-Tapp Screw 1/4-20 x .50
30	710-0895	1		Hex Tapp Screw 1/4 x .75" Lg.
31	731-06795	1		Lift Lever Cover
32	931-2104C	1	/P	Shift Lever Cover
33	735-0690	1		Grommet .4375 ID x .75
34	736-3078	1	/P	Flat Washer .344 ID x 1.0
35	750-3310	1		Flange Spacer .3125 x .4375 x .625
36	783-06556-0606	1		Fender (used with fender covers)
37	726-3046	1	/P	Foot Pad Clips
38	735-04138	1		Foot Pad LH
39	735-04158	1		Foot Pad RH
40	757-04086	1		Seat, High Back, Black
41	925-05013	1	/P	Seat Switch
42	783-06181-0637	1		Lift Bracket 12 positions (w/Electric pto)
43	783-05546A-0637	1	/P	Lift Link (46"/50")
44	714-04040	1		Bow-Tie Cotter Pin (46")
45	710-04482	1		Hex. Hd. Flg. Screw. 3/8-16 x .875
46	732-04563	1		Compression Spring .68 x 1.065 x .055
47	783-06050	1		Seat adjustment Lever
48	731-1993A	1		Cover (Hydrostatic Models only)
49	710-1260A	1	/P	Hex Wash. Hd. Screw. 5/16-18 x .75 Gr. F Nyl.
50	757-04090	1		Seat, High Back, Black (w/arm rest option)

14AQ94GK897 (2010)  
Seat & Fender

Page 18 of 20

Ref #	Part Number	Qty	S/P/F	Description
51	757-04073	1		Arm Rest (incl. R&L)
52	710-1611B	1	/P	Pan TT Screw 5/16-18 x .75
53	731-2619	1		Fender Cover LH
54	731-2618	1		Fender Cover RH
55	710-0932	1	/P	Carriage Bolt 14-20 x 1.0
56	712-0271	1	/P	Sems Hex Nut 1/4-20

14AQ94GK897 (2010)  
Steering Assembly



14AQ94GK897 (2010)  
Steering Assembly

Page 20 of 20

Ref #	Part Number	Qty	S/P/F	Description
1	710-04095	1		Screw, 3/8-16 x 1.0
2	710-0514	1	/P	Hex Screw 3/16 x 1.00
3	710-0643	1	/P	Hex Screw 5/16-18 x 1.00 Special
4	711-04998	1		Link, Drag LH
5	711-04999	1		Link, Drag RH
6	912-0240	1	/P	Hex Jam Nut 7/16-20
7	712-04065	1	/P	Flange Lock-Nut 3/8-16 Gr. F Nylon
8	712-0459	1	/P	Flange Lock Nut, 7/16-20
9	712-3004A	1	/P	Hex Flange L-Nut 5/16-18
10	717-1550F	1	/P	Steering Gear, 11/90 Ratio
11	717-1554	1		Steering Pinion Gear
12	923-0448A	1	/P	Ball Joint, 7/16 - 20
13	936-3004	1	/P	Flat Washer .406 ID x .875 DE x .105
14	736-3084	1	/P	Fl. Washer .510 x 1.120 x .060
15	738-04263	1		Steering Shaft .625 OD x 24.25
16	738-04363	1		Shoulder Spacer .385 x 1.25 x .3025
17	738-04364B	1		Spacer .38x 1.375 Special
18	741-04237B	1	/P	Hex Flange Bearing 5/8
19	783-06043-0637	1		Steering Support Bracket
20	938-04040-0637	1	/P	Axle Ass'y RH .750 Dia. (54" Deck)
21	938-04041-0637	1	/P	Axle Ass'y LH .750 Dia. (54" Deck)
22	710-0395	1	/P	Hex Bolt 5/16-18 x 2.25
23	710-0859	1	/P	Hex Cap Screw, 3/8-16 x 2.5
24	710-3180	1	/P	Hex Screw 5/16-18 x 1.75" Lg.
25	912-0214	1	/P	Hex Cent L-Nut 3/8-24
26	712-04063	1	/P	Flange Locknut 5/16-18 Gr. F, Nylon
27	714-0162	1	/P	Cotter Pin 5/32" Dia.
28	719-04413A	1		Pivot Bar (cast)
29	748-04065-0637	1	/P	Steering Block
30	748-04068	1		Spacer .710 ID x .125 OD x .56
31	750-05280	1		Spacer .385 x 1.0 x 1.5075
32	731-05674	1		Hub Cap
33	736-04228A	1		Flat Washer .350 x 1.559 x .062
34	631-04028	1		Steering Wheel, Standard Grip
34	631-04008A	1	/P	Steering Wheel, Softgrip
35	731-04040	1		Steering Wheel Cap (sprig)logo
36	731-2290A	1	/P	Hub Cap
37	731-04065A	1		Steering Wheel Cover (w/sprigs)
38	634-04466-0911	1		Wheel Assembly Complete 16x6.5x8
38	734-1727	1	/P	Tire Only Not shown
38	934-04082-0662	1	/P	Rim Only Not shown
38	934-0255	1	/P	Valve Not shown
38	741-0516B	1	/P	Bearing Not shown
38	741-0990B	1	/P	Bearing W/Zerk fitting Not shown