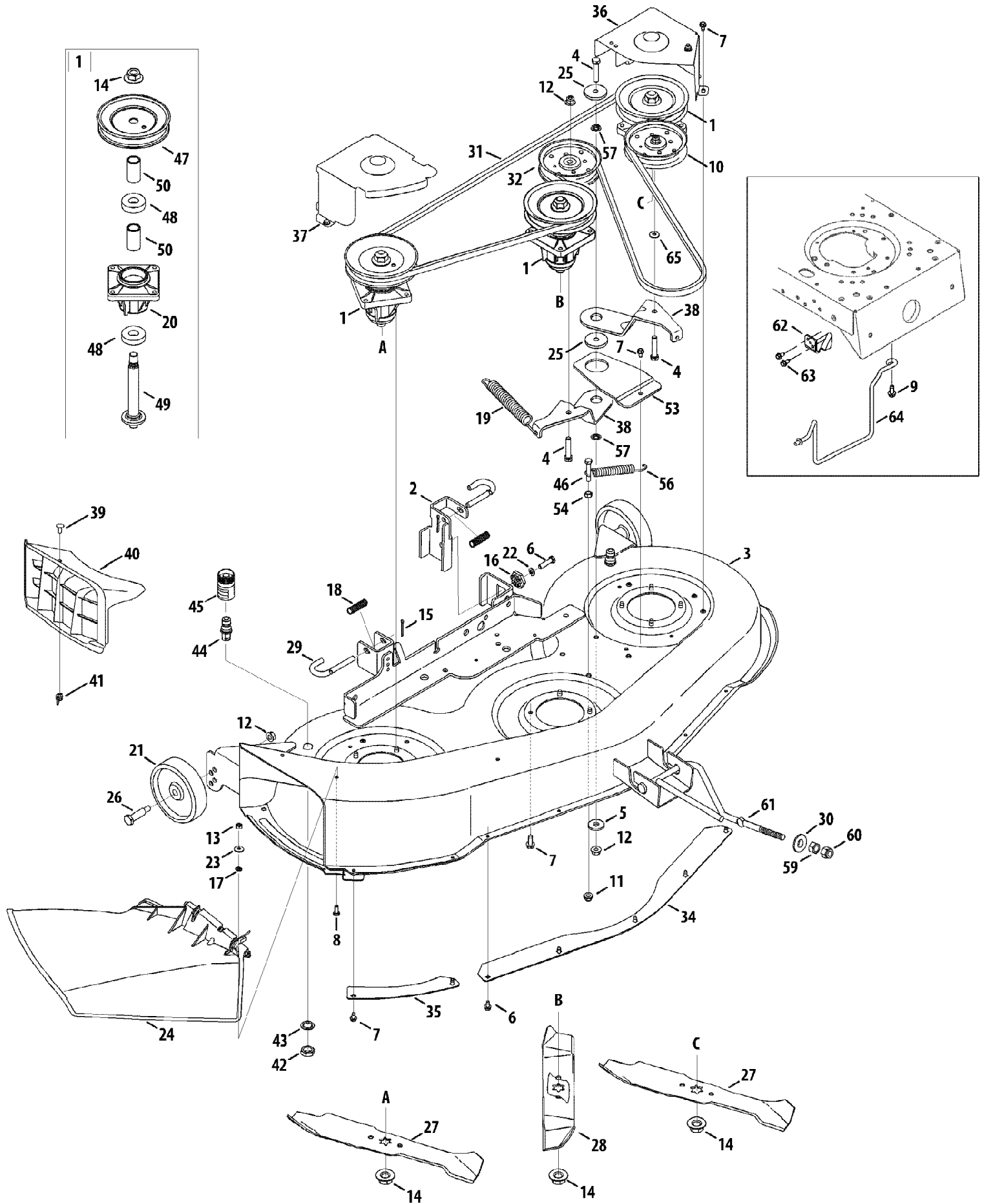


14AQ816H597 (2008)
Deck Assembly 46-inch



14AQ816H597 (2008)
Deck Assembly 46-inch

Page 2 of 23

Ref #	Part Number	Qty	S/P/F	Description
1	618-0625A	1	S	Spindle Ass'y 5.75 Dia w/grease fitting
2	683-0254B	1	/P	Deck Adjustment Bracket w/Weld Nut
3	683-04343	1	S	46" Deck Assembly w/Water Nozzle
4	710-0347	1	/P	Hex Screw 3/8-16 x 1.75
5	736-0322	1	/P	Flat Washer .450 x 1.25 x .164
6	710-0528	1	/P	Hex Bolt 5/16-18 x 1.25
7	710-0599	1	/P	Hex Wash S-Tapp Scr 1/4-20 x .50
8	710-3015	1	/P	Hex Cap Bolt 1/4-20 x .75" Lg.
9	710-1260A	1	/P	Hex Wash. Hd. Scr. 5/16-18 x .75 Lg.
10	756-0627D	1	/P	Flat Idler Pulley 3.5 OD
11	712-04063	1	/P	Flange Locknut 5/16-18 Gr. F, Nylon
12	712-04065	1	/P	Flange Lock-Nut 3/8-16 Gr. F Nylon
13	712-3006	1	/P	Hex Nut 1/4-20 Gr. 5
14	712-0417A	1	/P	Hex Flange Nut 5/8-18
15	714-0111	1	S	Cotter Pin 3/32 dia x 1.00 Lg.
16	717-04074	1	S	Deck Adjustment Gear
17	726-0233	1	/P	Bolt Retainer 1/4" x .50" OD
18	732-0306A	1	S	Compression Spring .531 OD x 1.75 Lg.
19	732-0594A	1	S	Extension Spring
20	N/A	1		Spindle Housing
21	734-0973	1	/P	Wheel Ass'y - Deck 5" x 1.38"
22	736-0119	1	S	L-Wash 5/16 ID
23	736-0270	1	/P	Cupped Washer .265 ID x .75 OD x .062
24	731-1032B	1	S	Chute Deflector (Plastic)
25	738-04162A	1	/P	Shoulder Spacer .884 x .190
26	738-0373	1	S	Shoulder Bolt .498 Dia x 1.53 x 3/8-16
27	742-0611A	1	S	Three-in-one Blade, Star Centre 16.28"
28	742-0612A	1	S	Three-in-one Blade, Star Centre 14.88"
29	747-1116	1	/P	Deck Release Pin
30	748-04069	1		Pivot Deck Lift Cup
31	754-04153	1		Belt, V Type
32	756-04129	1	S	Idler Poulie w/Flange 4.25 Dia
34	783-0141	1		Center Deck Skirt
35	783-0142	1	S	RH Deck Skirt
36	783-0747B	1	/P	Cover, Deck Belt RH
37	783-0805C	1	/P	RH Belt Cover
38	783-05118	1	/P	Idler Bracket
39	710-0134	1	/P	Carriage Bolt 1/4-20 x .62
40	731-05264	1		Mulching Plug
41	712-3087	1	/P	Wing Nut 1/4-20 Thd.
42	712-0641	1	S	Hex Nut M16-1.5 DIN 936
43	736-0225	1	/P	L-Washer Internal
44	737-04003D	1	/P	Port, Water
45	721-04041	1	S	Water Nozzle Adaptor
46	710-3103	1	/P	Hex Hd Cap Scr. 5/16-18 x 2.0 Gr. 5
47	756-1188	1		Deck Pulley 5.75 Dia. (42" Deck)
48	741-0919	1	S	Ball Bearing 20 x 47 x 14:6204:DS
49	738-1186A	1		Spindle Shaft 6.05 Lg.
50	750-04936	1		Spacer .792 x 1.060 x 1.860 Lg.
52	737-3000	1	S	Grease Fitting
53	783-05463	1		Support Bracket, Idler
54	712-3010	1	S	Hex Nut 5/16-18 hd. (Gr. 5)
56	732-0826A	1	/P	Extension Spring .865 x 4.68

14AQ816H597 (2008)
Deck Assembly 46-inch

Page 3 of 23

Ref #	Part Number	Qty	S/P/F	Description
57	712-0229	1		Push Nut Bolt Retainer
58	736-0343	1	/P	Flat Washer .330 ID x 1.25 OD x .120
59	712-0206	1	S	Hex Nut 1/2-13
60	712-3083	1	/P	Hex Nut, 1/2-13
61	747-04645	1		Deck Front Hanger Rod
62	783-04419B	1	S	Clutch Bracket
63	710-0726	1	/P	Hex Wash HD AB Tap Scr 5/16-12 x .75
64	747-04685A	1	/P	Deck Stop
65	736-3010	1		Flat Washer .406 ID x .812 OD x .134

14AQ816H597 (2008)
Drive & Rear Wheel

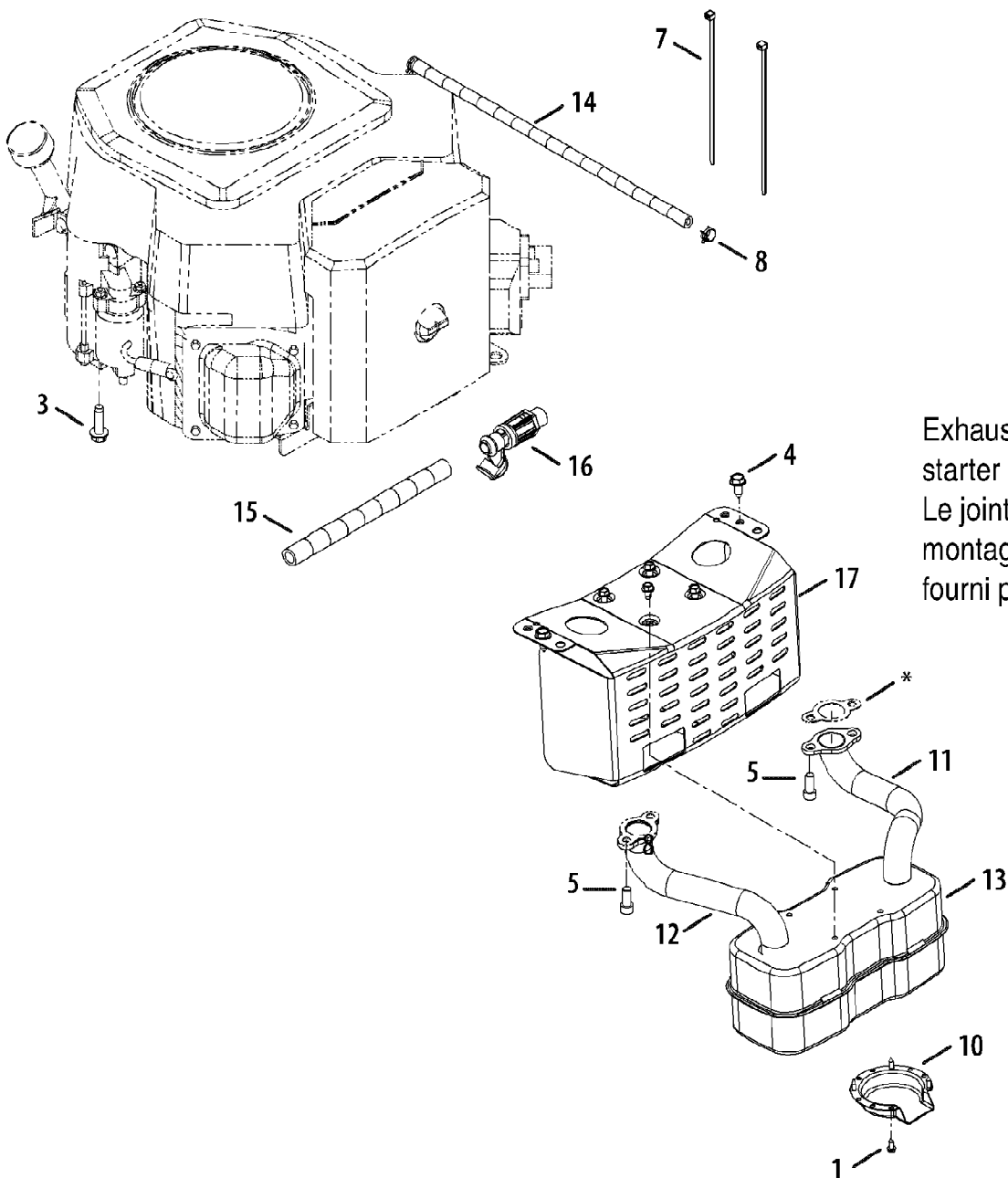
Page 5 of 23

Ref #	Part Number	Qty	S/P/F	Description
1	712-3050	1	/P	Lug Nut, 7/16-14
2	710-0347	1	/P	Hex Screw 3/8-16 x 1.75
3	783-04442	1		Idler Bracket
4	710-0176	1	/P	Hex Scr 5/16-18 x 2.75
5	712-0702	1	S	Hex Flanged L-Nut 7/16-20 Gr. 2
6	747-1185A	1		Belt Guard Rod
7	750-0566A	1	/P	Spacer .260 x .375 x 1.030 Lg.
8	754-0468	1	S	Drive Belt
9	736-3010	1		Flat Washer .40 ID x .812 OD x .135
10	710-1007	1	/P	Hex L-Wash HD Scr 3/8-16 x 1.5
12	747-1127	1		Idler Adjustment Rod, 3/8
13	712-0431	1	S	Hex. Flanged L-Nut 3/8-16 Gr. F
14	712-3004A	1	/P	Hex Flange L-Nut 5/16-18
15	756-0665	1	S	V-Pulley
16	714-0104	1	S	Int. Cotter Pin .072 x 1.13" Lg.
17	714-0111	1	S	Cotter Pin 3/32 dia x 1.00 Lg.
18	618-04201A	1	/P	Variable Speed Pulley
19	710-0805	1	/P	Hex Bolt 5/16-18 x 1.50" Lg. Gr. 5
20	647-04023A	1	/P	Shift Rod Assembly
21	710-0809	1		Hex Bolt 1/4-20 x 1.25
22	732-0716D	1	/P	Ext. Spring .59 OD x 4.00 Lg.
23	732-0478	1	S	Extension Spring 6.12 Lg.
24	732-0963	1		Extension Spring, .50 Dia. x 6.37
26	736-0169	1	S	L-Wash 3/8 ID
27	756-04325	1	/P	Idler V-Pulley
28	736-0642	1		Flat Washer .44 x .75 x .06
29	738-0372B	1	/P	Shoulder Spacer
30	720-04028	1		Shift Knob
31	723-3018	1	S	Drag Link Ball Joint
32	747-04136	1		Brake Rod
34	754-0467	1	S	Variable-speed Belt
35	710-0642	1	/P	Thd Forming Scr. 1/4-20 x .75 Lg.
36	756-04224	1	/P	Flat Idler Pulley 2.75 OD
37	783-0667B	1		Transmission Torque Bracket
38	718-0771A	1	S	Pulley Hub 1/2 Spline
39	712-0241	1	/P	Hex Nut 3/8-24
40	647-04100	1	S	Brake Control
41	647-0032A	1	S	Speed Control
42	683-0266	1		AutoDrive Pedal Assembly
43	710-0650	1	/P	Hex Wash Taptite 5/16-18 x .875
44	710-1260A	1	/P	Hex Wash. Hd. Scr. 5/16-18 x .75 Lg.
46	711-04159B	1		Pin 3/8-16 x 2.68 Lg.
47	732-0335	1		Compression Spring
48	732-0955	1		Extension Spring, .50 OD x 1.41
49	732-0963	1		Extension Spring, .50 Dia. x 6.37
50	735-0662	1		AutoDrive Pedal Pad
51	735-3049A	1	/P	Brake Pedal Pad
57	738-0155	1	S	Shld. Scr .437 Dia x .162 Lg.
58	738-0380	1	S	Shoulder Screw .500 x .25
59	741-0225	1	S	Hex Flange Bearing .630 ID
60	741-3065B	1	/P	Hex Flanged Bearing .628 ID
61	747-04096	1		Cruise Control Rod
62	747-04093A	1		Brake Control Rod

14AQ816H597 (2008)
Drive & Rear Wheel

Page 6 of 23

Ref #	Part Number	Qty	S/P/F	Description
63	748-04039C	1		Cruise Latch
64	748-0415B	1	/P	Spacer .385 ID x .635 OD x 1.54
65	783-04612	1	S	Steering Support Bracket
66	783-0732A	1	/P	AutoDrive Lockout Bracket
67	747-04641A	1	S	Brake Pedal
68	783-0693	1		Axle Bracket
69	634-0202A	1		Wheel Assembly Complete, 23 x 10.5 x 12
69	734-04147	1	S	Tire Only, Square Shoulder Not shown
69	634-04238	1	/P	Rim Only Not shown
69	734-0255	1	S	Air Valve (Not Shown)
73	618-0376A	1	S	Two Speed Transmission Assembly
76	710-04484	1		S-Tapp Scr 5/16-18 x .75
79	712-0181	1	S	Hex Jam L-Nut 3/6-16 Gr. 5
80	736-0187	1	/P	Flat Washer .640 ID x 1.24 OD x .06
81	712-04063	1	/P	Flange Locknut 5/16-18 Gr. F, Nylon
82	712-04065	1	/P	Flange Lock-Nut 3/8-16 Gr. F, Nylon
83	736-0105	1	/P	Cupped Washer .375 ID x .870 OD x .063
84	738-0322A	1	/P	Shoulder Screw .625 Dia. x .217
85	736-0119	1	S	L-Wash 5/16 ID
86	736-0262	1	/P	Flat Washer .38 ID x .87 OD x .09
87	736-0300	1	S	Flat Washer .385 ID x .87 OD x .06
88	783-0669	1	S	Idler Bracket
89	725-04039	1	S	Switch
90	17962	1		Switch Plate
91	710-0224	1	S	Hex Scr. AB #10-16 x .50

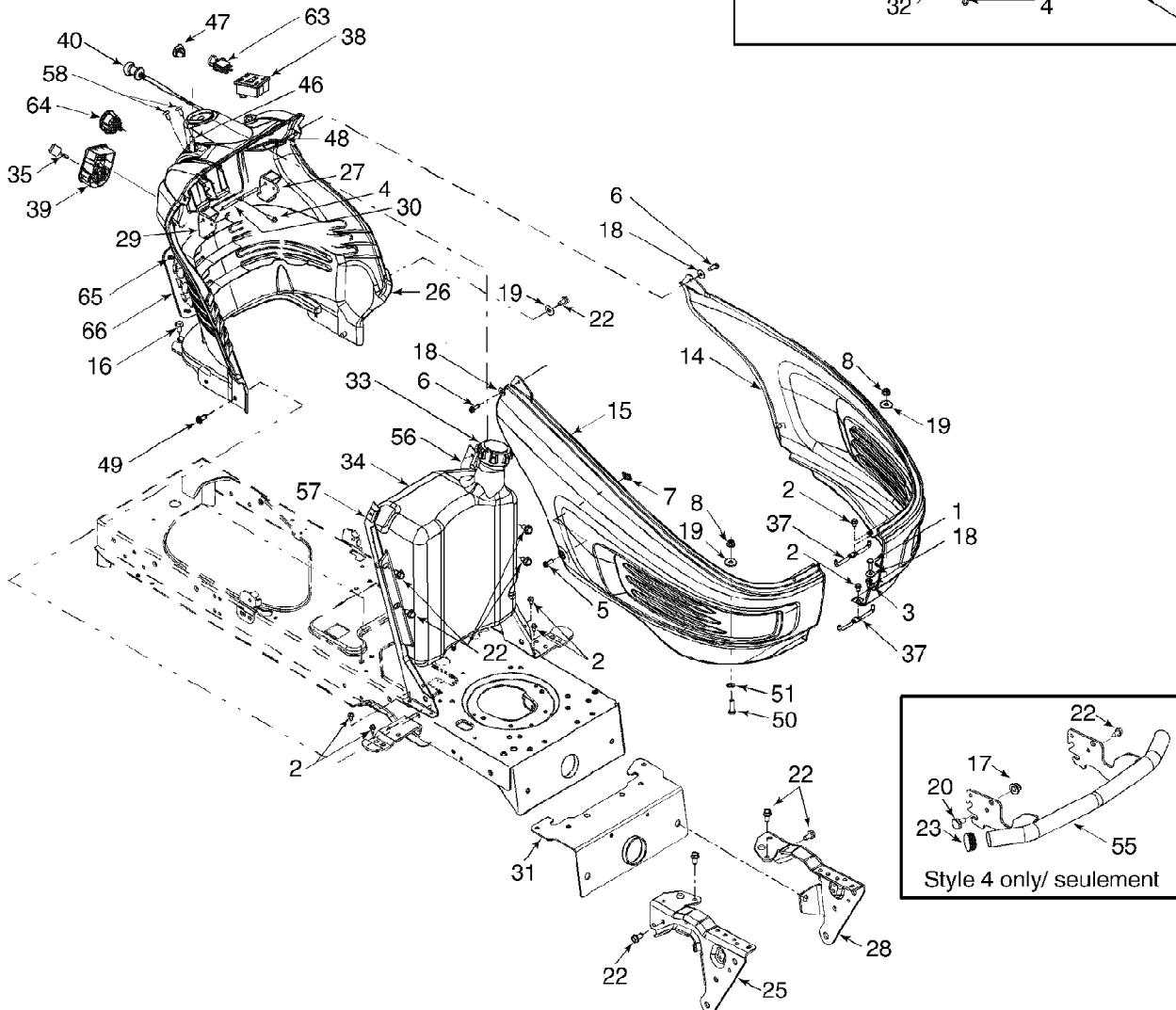
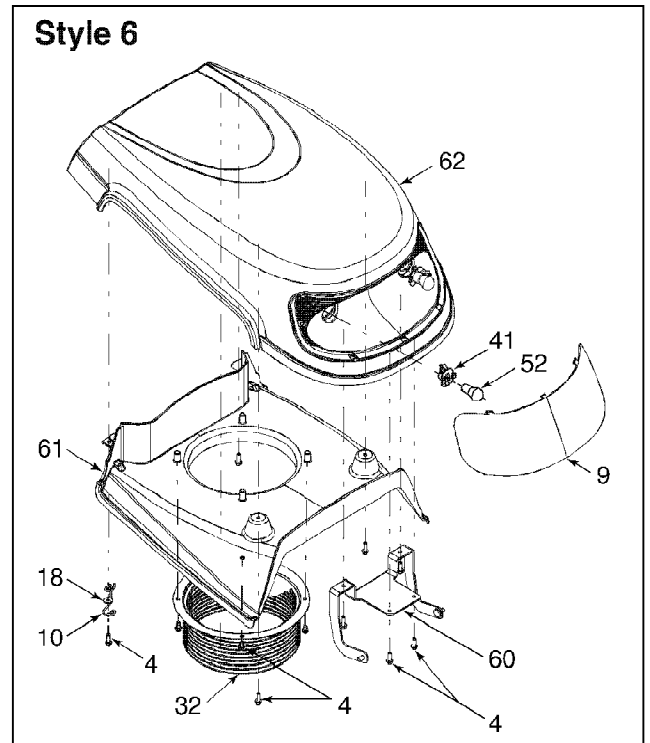
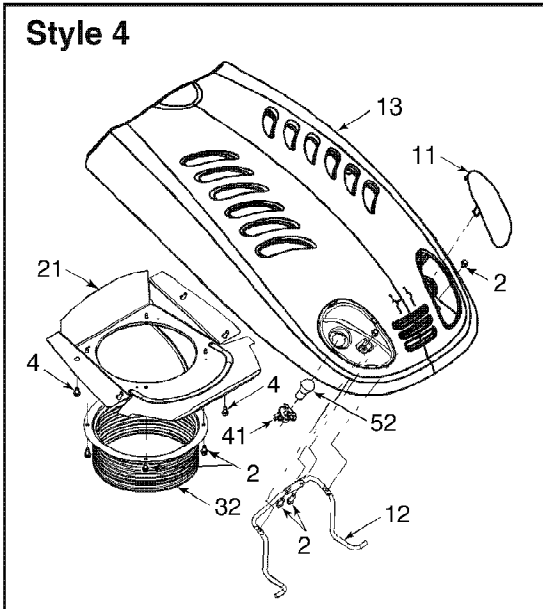


Exhaust gasket, mounting nuts, and starter nut supplied by Kohler/
Le joint d'échappement, les écrous de montage, et l'écrou de démarreur sont fournis par Kohler.

14AQ816H597 (2008)
Engine Connections

Page 8 of 23

Ref #	Part Number	Qty	S/P/F	Description
1	710-0227	1	/P	Hex AB Scr #8-18 x .50
2	710-0599	1	/P	Hex Wash S-Tapp Scr 1/4-20 x .50
3	710-04683	1		TT Screw 3/8-16 x 1.00
4	710-04484	1		S-Tapp Scr 5/16-18 x .75
5	710-1314A	1	/P	Scr. 5/16-18 x .75
6	N/A	1		Loctite 567 Sealant Purchase locally
7	725-0157	1	/P	Cable Tie
8	726-0205	1	/P	Hose Clamp
10	751-0564A	1	S	Muffler Deflector
11	751-0644B	1	/P	Exhaust Pipe LH
12	751-0645A	1	/P	Exhaust Pipe RH
13	751-0617B	1	S	Muffler
14	751-10349	1		Fuel Line
15	751-3141	1	S	Oil Drain Hose
16	751-10517	1	S	Oil Drain Cap
17	783-0615E	1		Muffler Bracket



14AQ816H597 (2008)
Hood & Grille

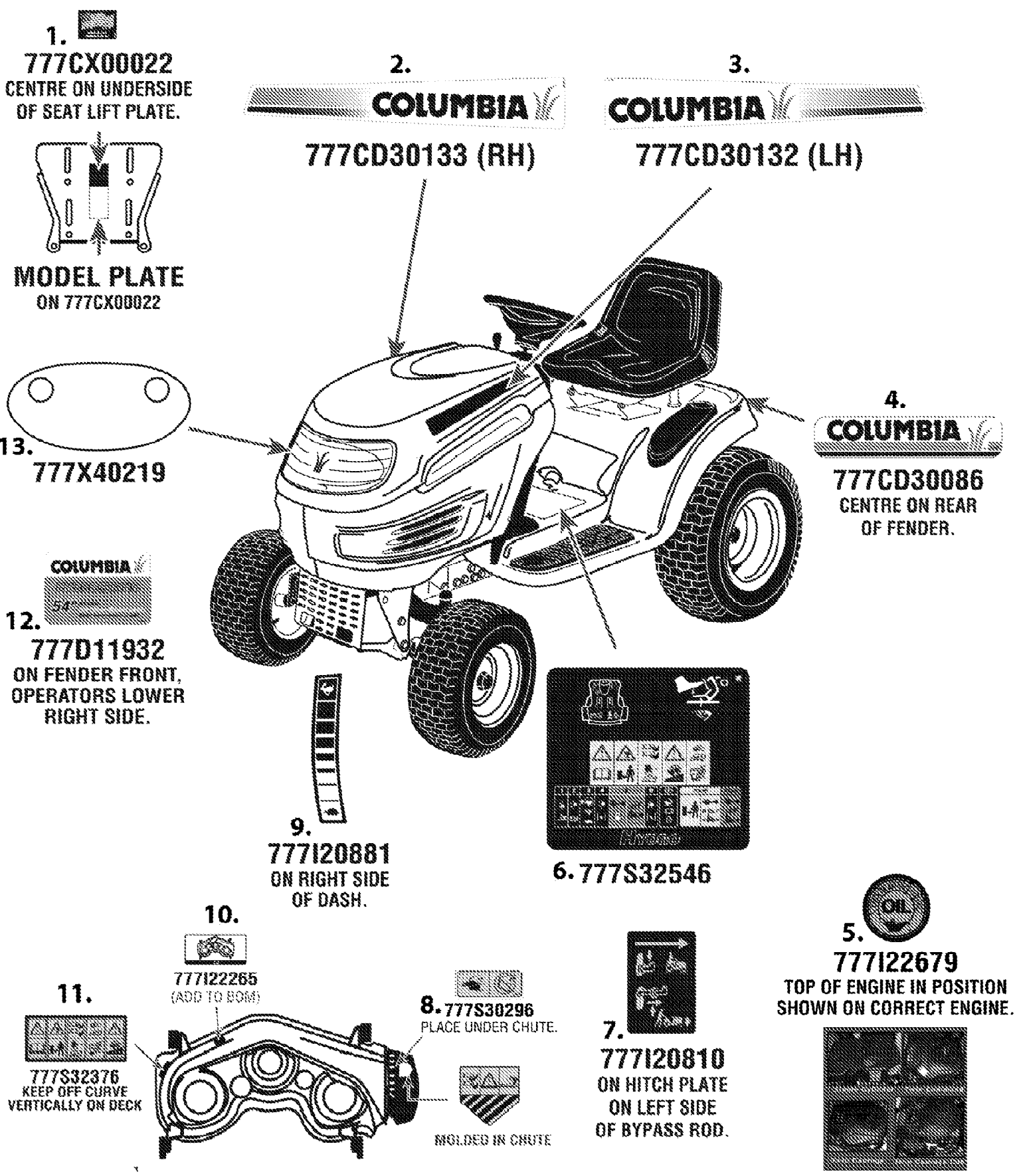
Page 10 of 23

Ref #	Part Number	Qty	S/P/F	Description
1	710-3015	1	/P	Hex Cap Bolt 1/4-20 x .75" Lg. Gr. 5
2	710-0599	1	/P	Hex Wash S-Tapp Scr. 1/4-20 x .50
3	712-04064	1	/P	Hex L-Flanged Nut 1/4-20 Gr. F, Nylon
4	710-0895	1		Hex Tapp Scr 1/4 x .75" Lg.
5	710-0924	1	/P	Truss Mach Scr 1/4-20 x .75" Lg.
6	710-0642	1	/P	Thd Forming Scr. 1/4-20 x .75 Lg.
7	712-0292	1	/P	Speed Nut
8	712-04063	1	/P	Flange Locknut 5/16-18 Gr. F, Nylon
9	731-2286A	1	S	Head Light Lens Style 6
10	747-2127	1		Hood Latch Rod
11	731-1979	1	S	LH Head Light Lens Style 4
11	731-1978	1	S	RH Head Light Lens Style 4
12	747-1132A	1	/P	Hood Support Rod
13	731-1980B	1	S	Hood, Style 4 (Yellow)
14	731-04958	1	S	LH Side Panel, Style 4, Yellow
14	731-05473	1	S	LH Side Panel, Style 6
15	731-1982C	1	S	RH Side Panel, Style 4, Yellow
15	731-2308B	1	S	RH Side Panel, Style 6
16	710-0607	1	/P	Hex Wash HD AB Tap Scr 5/16-18 x .5
17	712-04065	1	/P	Flange Locknut 3/8-16 Gr. F, Nylon
18	736-0173	1	/P	Flat Washer .28 ID x .74 DE x .063
19	736-3078	1	/P	Flat Washer .344 ID x 1.0
20	738-0143	1	/P	Shoulder Scr. .498 x .340: 3/8-16
21	783-0808A	1	S	Heat Shield, 4-style
22	710-04484	1		S-Tapp Scr 5/16-18 x .75
23	731-05674	1		Bumper Cap
25	783-0726E	1	/P	RH Dash Support Plate
26	731-05002	1		Dash Panel, (w/Manual PTO)
26	731-05037	1		Dash Panel, (w/Electric PTO)
27	731-04213	1		Parking Brake Button
28	783-0727D	1		LH Dash Support Plate
29	731-04214	1		Cruise Control Button
30	747-1155	1		Brake/Cruise Pivot Rod
31	783-0728B	1		Pivot Bar Brkt.
32	731-2232A	1	/P	Intake Bellow (Kohler and Intek Single)
32	731-2234A	1	/P	Intake Bellow (Intek Twin Engine)
33	751-0603	1	S	Cap-Fuel
34	751-0818D	1	S	Fuel Tank 2 Gal. (w/Electric PTO)
34	751-0659D	1	/P	Fuel Tank 2 Gal. (w/Manual PTO)
34	751-0658E	1	/P	Fuel Tank 3 Gal.
35	725-1745	1	S	Ignition Key w/Plastic Cover
35	725-1744	1	S	Ignition Key w/o Plastic Cover
37	747-04301	1		Side Panel Support
38	725-04036A	1	S	Systems Indicator Monitor w/Hour Meter
38	725-04036	1	S	Sys. Ind. Mon. w/Hr. Mtr., Curved Face
39	725-04230B	1	S	Ignition Switch-Export Module
40	746-1085A	1	S	Choke Cable 39" Lg. (Twin (optional))
40	746-1088	1	S	Choke Cable 23" Lg. (Single) (optional)
41	725-1649	1	S	Socket
46	746-04365	1		Throttle/Choke Cable (Twin 20 HP)
46	746-04417	1	S	Throttle/Choke Cable (Twin 25 HP)
46	746-04364	1		Throttle/Choke Cable (Single)
47	731-1999			

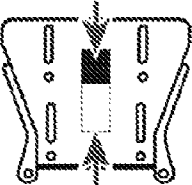
14AQ816H597 (2008)
Hood & Grille

Page 11 of 23

Ref #	Part Number	Qty	S/P/F	Description
48	783-0462	1	/P	Bracket - PTO Switch
49	710-1611B	1	/P	Screw 5/16-18 x .75
50	710-0376	1	/P	Hex Scr 5/16 x 1,00 Gr. 5
51	726-0201	1		Push Speed Nut
52	725-0963	1	S	Miniature Lamp 12V Socket Type
53	711-0332	1	S	Clevis Pin
54	714-0145	1	S	Hairpin Cotter
55	683-04219A	1	S	Bumper Assembly
56	783-04323F	1	S	L.H. Dash Support Plate
57	783-04285F	1	S	R.H. Dash Support Plate
58	710-1017	1	/P	Torx Mach. AB-Tapp Scr. 1/4-14 x .625 Lg
60	683-0305	1	S	Hood Bracket Assembly
61	731-2284	1		Hood Plenum
61	731-2358	1		Hood Plenum-Black
62	731-2283A	1	S	Hood, Style 6
62	731-05160	1	S	Hood, Style 6, Beige
63	725-1752	1	S	Electric PTO Switch (if equipped)
64	725-1741	1	S	Ignition Switch
65	726-04029	1		Ratchet Clip .30 Dia.
66	735-04023	1		Accessory Net
67	725-04404A	1	S	Headlight Harness (Elect. PTO w/hr. meter)
67	725-04403A	1	S	Headlight Harness (Manual PTO w/hr. meter)
	629-04083B	1	S	Wire Harness (not shown)



1. 
777CX00022
CENTRE ON UNDERSIDE
OF SEAT LIFT PLATE.



MODEL PLATE
ON 777CX00022

2. 
COLUMBIA


777CD30133 (RH)

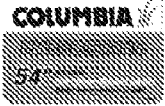
3. 
COLUMBIA


777CD30132 (LH)

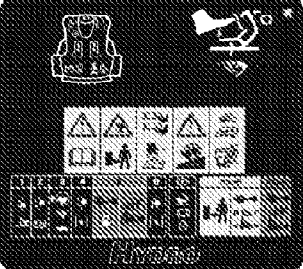
4. 
COLUMBIA


777CD30086
CENTRE ON REAR
OF FENDER.


13. 
777X40219

12. 
777D11932
ON FENDER FRONT,
OPERATORS LOWER
RIGHT SIDE.

9. 
777I20881
ON RIGHT SIDE
OF DASH.


6. 
777S32546


10. 
777I22265
(ADD TO BOOM)

11. 
777S32376
KEEP OFF CURVE
VERTICALLY ON DECK

8. 
777S30296
PLACE UNDER CHUTE.


MOLDED IN CHUTE

7. 
777I20810
ON HITCH PLATE
ON LEFT SIDE
OF BYPASS ROD.

5. 
777I22679
TOP OF ENGINE IN POSITION
SHOWN ON CORRECT ENGINE.

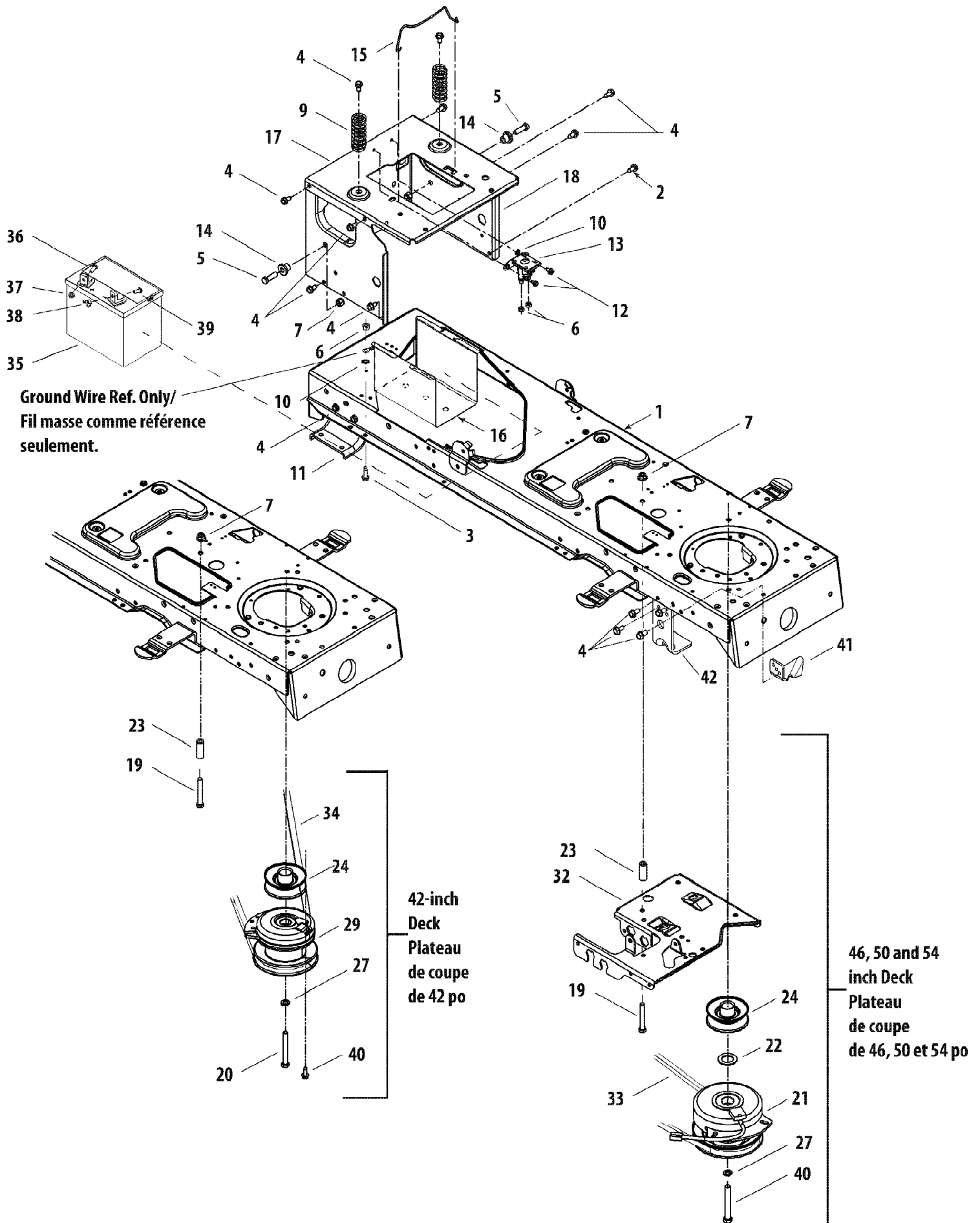


14AQ816H597 (2008)
Label Map

Page 13 of 23

Ref #	Part Number	Qty	S/P/F	Description
1	777CX00022	1		LBLX: MADE IN USA
2	777CD30133	1		LABEL-HOODSIDE RH STY 6 COLUMBIA
3	777CD30132	1		LABEL-HOODSIDE LH STY 6 COLIMBIA
4	777CD30086	1		LABEL-REAR FENDER COLUMBIA
5	777S32546	1	S	LABEL-SAFETY/INST CANADA
6	777I22679	1		LABEL-CHECK ENG OIL
7	777I20810	1		LABEL-HITCH PLATE BYPASS ROD
8	777S30296	1		LABEL:RIDER DECK: UNDERCHUTE EXP
9	777I20881	1		LABEL-DASH
10	777I22265	1		LABEL-BELT ROUTE
11	777S32376	1		LABEL:RIDER:SAFETY DECK
12	777D11932	1		LABEL-HYD 54" FNDR COLUMBIA 54" Deck
12	777D11931	1		LABEL-RDR:FNDR:46:HYDRO:GT:597 46" Deck
13	777X40219	1		LABEL-LENS REFLECT

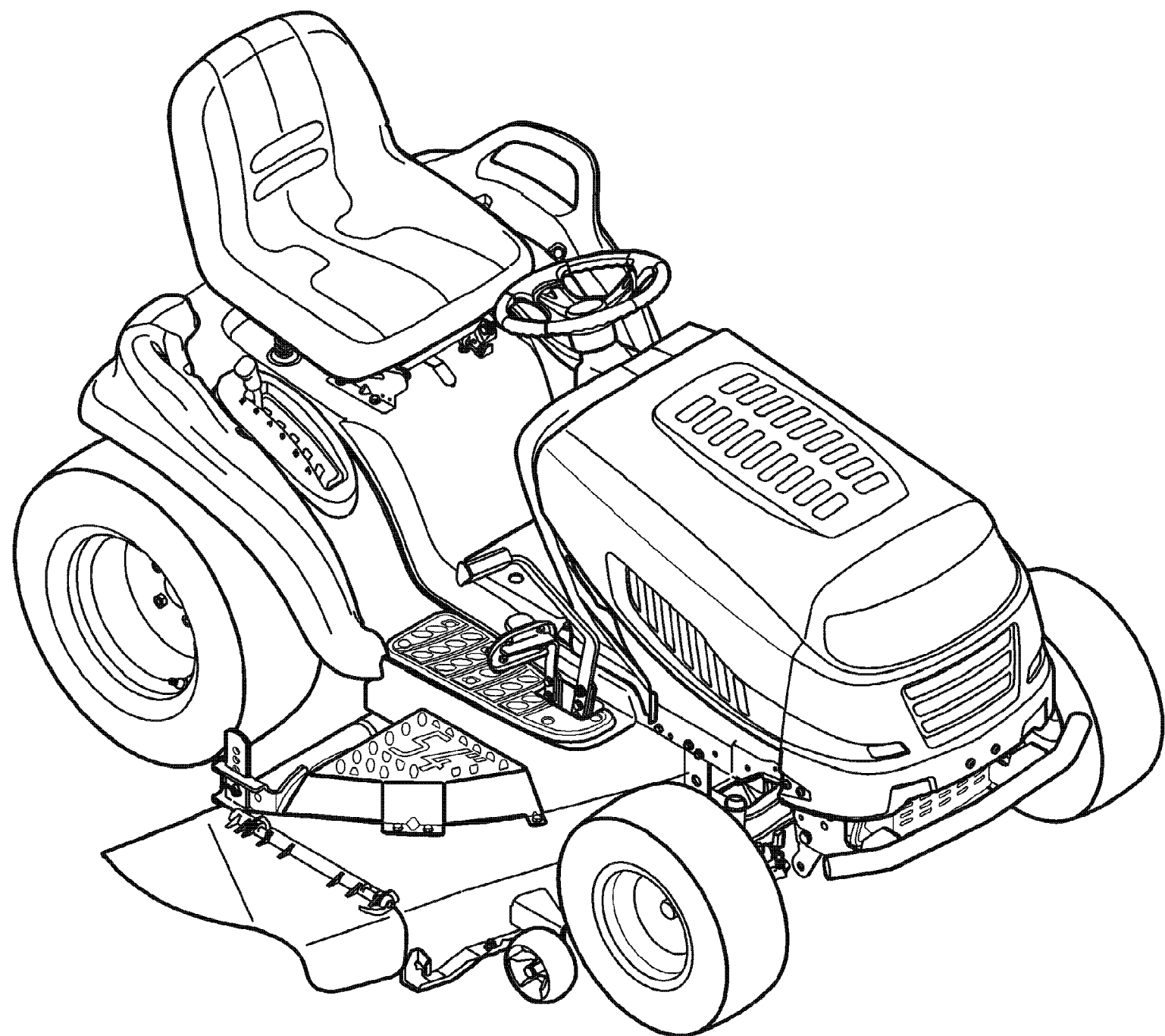
14AQ816H597 (2008)
PTO & Battery



14AQ816H597 (2008)
PTO & Battery

Page 15 of 23

Ref #	Part Number	Qty	S/P/F	Description
1	683-04173B	1		Lower Frame Assembly
2	710-0607	1	/P	Hex Wash HD S-Tapp Scr 5/16-18 x .50
3	710-0642	1	/P	Thd Forming Scr. 1/4-20 x .75 Lg.
4	710-04484	1		S-Tapp Scr 5/16-18 x .75
5	710-3005	1	/P	Hex Bolt 3/8-16 x 1.25
6	712-04064	1	/P	Hex L-Flanged Nut 1/4-20 Gr. F Nylon
7	712-04065	1	/P	Flange Lock-Nut 3/8-16 Gr. F Nylon
9	732-04035	1		Compression Spring 1.28 x 3.125
10	736-0222	1	S	Ext. L-Washer 1/4 ID
11	783-0693	1		Axle Bracket
12	710-0599	1	/P	Hex Wash S-Tapp Scr 1/4-20 x .50
13	725-04439	1		Solenoid
14	738-04058	1		Shoulder Spacer .38 x 1.0 x .70
15	747-04121A	1		Battery Retainer Rod
16	783-0349	1		Battery Tray
17	783-04329A	1		Frame Seat Bracket
18	783-04809D	1	S	Upper Frame (600)
18	783-04811C	1		Upper Frame (800)
19	710-3011	1	/P	Hex Cap Screw, 3/8-16 x 2.25 Gr. 5
20	710-3157A	1	/P	Hex Bolt 7/16-20 x 3.25 Gr. 5
21	717-04174A	1	S	Electric PTO Clutch 46 & 50" Deck
21	717-1774C	1	S	Electric PTO Clutch 54" Deck
22	736-0277	1		Flat Washer 1.03 ID x 1.64 OD x .095
23	748-0415B	1	/P	Spacer .385 ID x .635 OD x 1.54
24	756-0978B	1	/P	Engine Pulley (hydrostatic models)
24	756-0639A	1	/P	Engine Pulley, 3.56 OD
27	736-0171	1	S	Lockwasher 7/16 ID
29	717-04163	1	S	Electric PTO Clutch 42" Deck
32	783-04612	1	S	Steering Support Bracket
33	754-04033	1	S	V-Belt Type A Sec x 118.20 (46" Deck)
33	754-0642	1	S	V-Belt Type A Sec x 138.0 (54" Deck)
33	754-0467	1	S	V-Belt 90.8 (50" Deck)
34	754-0497	1	S	PTO Belt (w/42" deck)
35	725-1707D	1	S	Battery 245 CCA (Dry)
36	710-04666	1		Hex Flg. Bolt 1/4-10 x .75 Gr. 5
37	712-0271	1	/P	Sems Hex Nut 1/4-20
38	712-3087	1	/P	Wing Nut 1/4-20 Thd.
39	738-1132	1		Shoulder Screw, 1/4-20
40	710-04379A	1		Hex Hd. Cap Scr. 7/16-20 x 3.5
41	783-04419B	1	S	Bracket Clutch (w/ 54" Deck)
42	783-04467	1		Bracket - Deck Stop (w/54" Deck)



Ref #	Part Number	Qty	S/P/F	Description
	759-3336	1	/P	Spark Plug
	KH-12-050-01-S	1	/P	Oil Filter
	N/A	1		Pre Filter
	KH-32-883-03-S1	1	/P	Air Filter
	KH-25-050-22-S1	1	/P	Fuel Filter
	751-0603	1	S	Fuel cap
	618-0671B	1	S	Deck Spindles 54" Deck
	618-0625	1	S	Deck Spindles 46" Deck
	742-0677B	1	S	Blades 54" Deck
	742-0611A	1	S	Blades - Outside 46" Deck
	742-0612A	1	S	Blades - Inside 46" Deck
	712-0417A	1	/P	Blade Nut
	710-0521	1	/P	Spindle Bolt - RH 54" Deck
	710-0859	1	/P	Spindle Bolt - LH 54" Deck
	754-0467	1	S	Drive Belt
	754-0642	1	S	Deck Belt 54" Deck
	754-04153	1		Deck Belt 46" Deck
	734-04155	1		Deck Wheels 54" Deck
	734-0973	1	/P	Deck Wheels 46" Deck
	721-04041	1	S	Water Nozzle Adapter
	725-1745	1	S	Ignition Keys
	725-1741	1	S	Ignition Switch Module
	725-1752	1	S	PTO Switch
	717-1774C	1	S	PTO Clutch
	631-04070A	1	/P	Discharge Chute 54" Deck
	731-1032B	1	S	Discharge Chute 46" Deck
	731-04651	1		Mulch Plug 54" Deck
	731-05264	1		Mulch Plug 46" Deck
	190-032	1		42-inch Two-stage Snow Thrower
	190-285	1		Triple Bagger Grass Collector (for 54-inch Decks)
	190-784	1		Wheel Weights
	OEM-190-824	1		Electric Sleeve Hitch
	OEM-190-825	1		Hydraulic Tiller, 30" (requires 190-824)
	190-833	1		Dozer Blade, 46"
	19A-102	1		Steel Cart, 16 Cubic Foot
	190-964	1		Tire Chains, 23"

14AQ816H597 (2008)
Seat & Fender

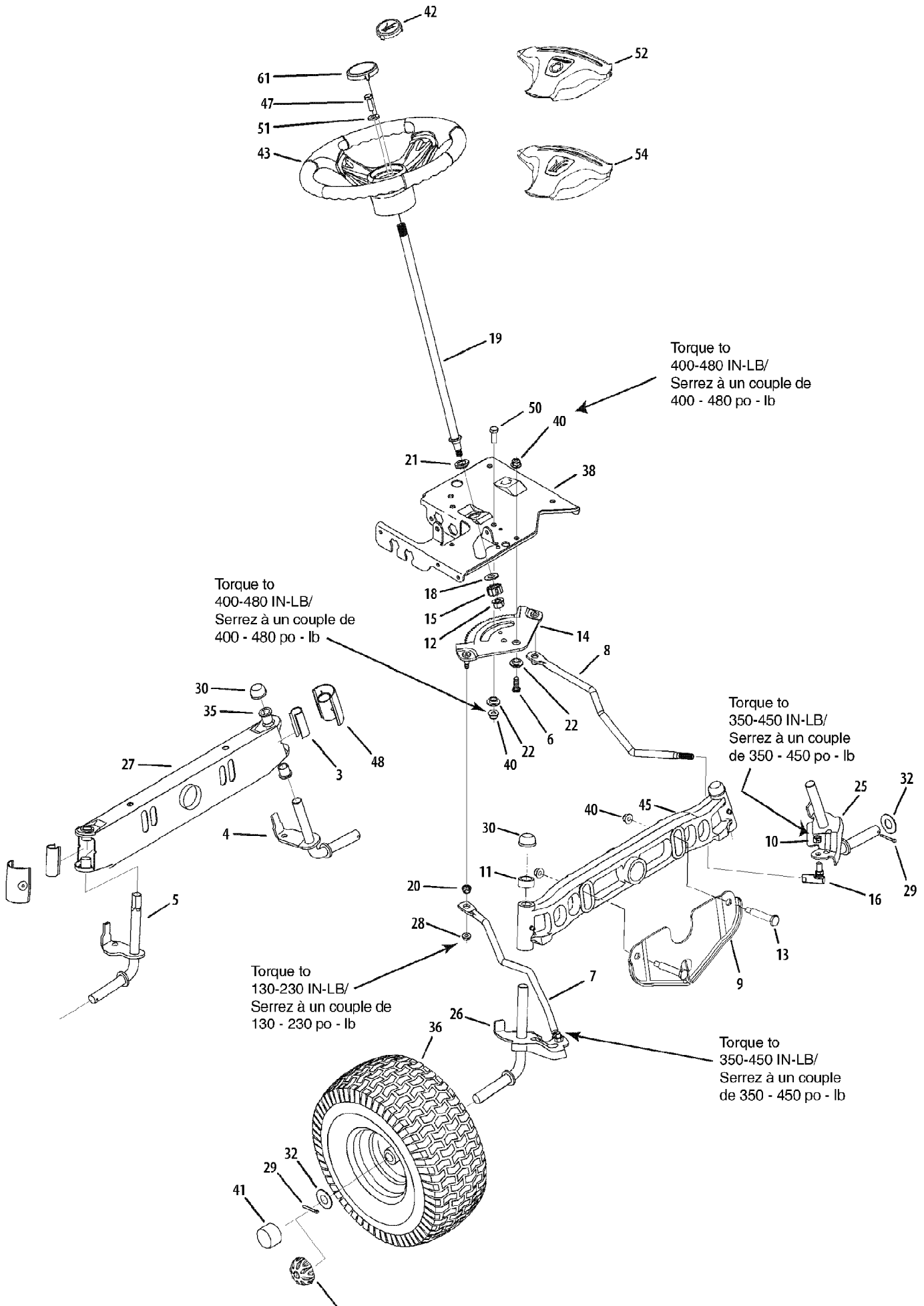
Page 19 of 23

Ref #	Part Number	Qty	S/P/F	Description
1	747-1130B	1	/P	Deck Stabilizer Rod
2	683-04223	1	S	Lift Shaft Assembly (42" and 46" Deck)
2	683-04118	1	S	Lift Shaft Assembly (54" Deck)
3	711-0332	1	S	Clevis Pin
4	710-04484	1		S-Tapp Scr 5/16-18 x .75
5	712-04065	1	/P	Hex Flange Locknut 3/8-16 Gr. F,Nylon
6	712-04063	1	/P	Hex Flange Locknut 5/16-18 Gr. F Nylon
7	712-3083	1	/P	Hex Nut, 1/2-13
8	714-0104	1	S	Int. Cotter Pin 5/16 Dia.
9	714-04023	1	S	Internal Cotter Pin .080 x 1.5625
10	716-0106A	1		E-ring
11	720-0311	1		Handle Grip
12	732-0874	1	/P	Torsion Spring
13	732-1184	1	/P	Extension Spring .84 x 4.6
14	736-0242	1	/P	Cupped Wash. .345 ID x .88 OD x .060
16	736-3019	1		Flat Washer .531 ID x 1.062 OD x .134
17	725-1439	1		Spring Switch, Inner
18	738-0138A	1	/P	Shoulder Scr. .437 Dia x .47
19	738-0380	1	S	Shoulder Screw .500 x .25 (46"/50")
20	741-0225	1	S	Hex Flange Bearing .630 ID
21	725-1303	1	S	Spring Switch, Outer
22	746-0968	1		Lift Cable, 16.16
23	747-04447	1		Lift Handle
24	756-1154	1		Roller Pulley
25	783-05546	1	S	Arm Lift (46"/54" deck w/electric PTO)
26	783-0720A	1	S	Deck Stabilizer Bracket
28	710-04484	1		S-Tapp Scr 5/16-18 x .75 (w/783-0677B)
28	710-1611B	1	/P	Screw 5/16-18 x .75 (601)
29	710-0895	1		Hex Scr. 1/4-15 x .75
30	731-1990	1		Lift Lever Cover
31	731-2104C	1	S	Shift Lever Cover w/Cup Holder
32	736-3078	1	/P	Flat Washer .344 ID x 1.0
33	783-0677B	1		Lift Adjustment Bracket
34	783-04331A	1		Fender (801)
34	783-04333A	1		Fender
35	783-1489C	1		Seal Mounting Bracket
36	710-1268	1	/P	Hex B-Tapp Wash Scr #10-16 x .375
37	712-04064	1	/P	Hex Flange Locknut 1/4-20 Gr. F Nylon
38	720-0309A	1	/P	Seat Adjuster Grip
39	731-04074	1		Spacer
40	732-0499	1		Compression Spring 1.5" Lg
41	726-0278	1		Insulator Plate
42	710-0227	1	/P	Hex Wash HD AB S-Tapp Scr #8-.50
43	738-0137A	1	S	Shoulder Screw .340 x .285: 1/4-20
44	738-0966A	1	/P	Shoulder Screw, .50 x .925, 3/8-16
45	783-0611	1		Seat Stop
46	783-0738D	1	/P	Seat Pivot Bracket
47	783-0739A	1	S	Seat Adjustment Lever
48	783-0753	1		Seat Adjustment Selector
49	757-04003A	1	/P	Seat, 15.279" High, High Back-Black
49	757-04012D	1		Seat, High Back YM Yellow
49	757-04072	1		Seat, High Back w/armrest
50	735-0656	1		

14AQ816H597 (2008)
Seat & Fender

Page 20 of 23

Ref #	Part Number	Qty	S/P/F	Description
51	735-0657	1		LH Foot Pad
52	714-0111	1	S	Cotter Pin 3/32 dia. x 1.00 Lg.
53	783-04963A	1		Arm Lift (46" deck w/manual PTO & 50" deck)
54	783-0209D	1	/P	Seat Lift Bracket
55	731-05498A	1	/P	Lift Lever Cover (Model 60R)
56	783-04081B	1		Seat Pivot Bracket, Manually Adjusted
57	735-0190	1		Grommet
58	750-3310	1		Flg. Spacer .3125 x .4375 x .625
59	710-0870	1	/P	Hex Wash Hd Scr. 3/8-16 x .625 Gr. 5
61	726-3046	1	/P	Ratchet Clip .25 Dia.
62	738-0296	1	S	Shoulder Bolt .437 Dia. x .268
63	726-0201	1		Push Speed Nut (Quick Adjustment Only)
65	738-04012A	1	/P	Shoulder Spacer .625 x .175, 3/8-16
66	720-04061	1		Knob, 3/8-16 x .625
67	736-0300	1	S	Flat Washer .406 x .875 x .059
68	710-0451	1	/P	Carriage Bolt 5/16 x 18 x .75" Lg.
69	710-0604A	1	/P	Hex TT Scr. 5/16-18 x .875
70	726-0278	1		Insulator Plate
71	710-0932	1	/P	Carriage Bolt 1/4-20 x 1.00" Lg.
72	712-0271	1	/P	Sems Hex Nut 1/4-20
73	731-2618	1		RH Fender Flare
74	731-2619	1		LH Fender Flare
75	731-1993A	1		Cover w/Cup Holder
76	710-0599	1	/P	Hex Wash S-Tapp Scr 1/4-20 x .50
77	731-04591	1	S	Cup Holder, Style 7
78	712-0206	1	S	Hex Nut 1/2-13
79	736-3084	1	/P	Flat Washer .510 x 1.12 x .06
80	738-1011A	1	/P	Shoulder Screw .50 x 2.230:3/8-16
81	738-04130	1		Shoulder Screw .625 x .175: 3/8-16
82	783-04494B	1		Deck Lift Arm RH (42" Deck)
82	783-04711B	1	/P	Deck Lift Arm LH (Not Shown)
84	736-0607	1	/P	Ext. Lockwasher 5/16 ID
	757-04073	1		Arm Rest Ass'y Not shown



14AQ816H597 (2008)
Steering

Page 22 of 23

Ref #	Part Number	Qty	S/P/F	Description
1	683-04173B	1		Lower Frame Assembly
3	731-04057A	1		Axle End Cap - Std.
4	638-04006	1	S	LH Axle Assembly, .750 Dia. 42" Deck
5	638-04005	1	S	RH Axle Assembly, 750 Dia. 42" Deck
6	710-04095	1		Hex Cap Screw 3/8-16 x 1.00 Gr. 5 Spec.
7	711-1408	1		RH Drag Link
8	711-1409A	1	/P	LH Drag Link
9	783-04568	1		Fr. Deck Hanger Brkt. (Style 6 w/46" deck)
10	712-0214	1	S	Hex Cent. L-Nut 3/8-24
11	748-04068	1		Spacer .71 ID x .125 OD x .56" Lg.
12	712-0459	1	/P	Flange Lock Nut, 7/16-20
13	738-04128	1		Shoulder Bolt .50 x 2.38: 3/8-16
14	717-1550E	1	S	Steering Gear, 11/90 Ratio
15	717-1554	1		Steering Pinion Gear
16	723-0448A	1	S	Ball Joint, 7/16 - 20
18	736-3084	1	/P	Fl. Washer .510 x 1.120 x .060
19	738-04263	1		Steering Shaft, .625 OD x 24.25
20	741-0475	1	S	Plastic Bushing .380 ID
21	741-04237	1		Hex Flange Bearing, 5/8
22	738-04154	1		Shoulder Spacer
25	638-04003A	1	S	LH Axle Assembly, .750 Dia.
26	638-04004A	1	S	RH Axle Assembly, .750 Dia.
27	683-0128B	1	/P	Pivot Bar
28	712-3004A	1	/P	Hex Flange L-Nut 5/16-18 Gr. 5
29	714-04039	1		Cotter Pin 5/32" Dia. x 1.25, Square head
29	714-0162	1	/P	Cotter Pin 5/32" Dia. x 1.25
30	726-0341	1	/P	Push Cap, .750
32	736-0316	1	S	Flat Washer .780 ID X 1.56 OD
32	736-04228A	1		Flat Washer .781 ID x 1.90 OD
34	738-1011A	1	/P	Shoulder Screw, .5 x 2.2, 3/8-16
35	741-0660A	1	/P	Flange Bearing .760 ID x .937 OD
36	634-04086	1		Wheel Assembly, 15 x 6 x 6 Plastic Bushing
36	734-1731	1		Tire Only, 15x6x6
36	634-04081	1	S	Rim Only 15" Plastic Bushing
36	634-04199	1		Wheel Assembly, 15 x 6 x 6 Ball Bearing
36	734-1731	1		Tire Only 15x6x6
36	634-04091A	1		Rim Only 15" Ball Bearing
36	634-04088A	1	/P	Wheel Assembly, 16 x 7.5 x 8 Plastic Bushing
36	734-04148	1		Tire Only 16x7.5x8
36	634-04082	1	S	Rim Only 16" Plastic Bushing
36	734-0255	1	S	Valve Not shown
36	741-0516B	1	/P	Bearing, Flange Plastic Bushing, Not shown
36	741-0990B	1	/P	Bearing, Flange w/Fitting Plastic Bushing, Not shown
36	741-04137	1	S	Bearing, Flange Ball Bearing, Not shown
36	737-0224	1		Lube Fitting Not shown
37	731-2290A	1	/P	Hub Cap
38	783-0653F	1	S	Steering Support Bracket
39	738-0143	1	/P	Shld. Scr. .500 Dia. X .335" Lg.
40	712-04065	1	/P	Hex Flange L-Nut 3/8-16 Gr. F
41	731-05674			

14AQ816H597 (2008)
Steering

Page 23 of 23

Ref #	Part Number	Qty	S/P/F	Description
42	731-04040	1		Steering Wheel Cap - Small w/logo
43	631-04028	1		Steering Wheel - 3 Spokes Std. Grip
43	631-04008A	1	/P	Steering Wheel - 3 Spokes Soft Grip
44	731-0484A	1	S	Plastic Hub Cap
45	719-04177A	1		Cast Iron Pivot Bar (.750 dia.)
45	737-3000	1	S	Fitting, Lube, 3/16 Drive Type Not shown
45	737-0475	1	/P	Fitting, Lube, M6 Threaded Type Not shown
47	710-0643	1	/P	Hex Screw 5/16-18 X 1.00 Special
48	731-1291A	1	S	Pivot Bar End Cap
50	710-0514	1	/P	Hex Screw 3/16 x 1.00
51	736-3004	1	S	Flat Washer .406 ID x .875 OD x .105
52	731-04066A	1	/P	Steering Wheel Cover - Troy Bilt
53	710-1260A	1	/P	Hex Wash HD AB Tap Scr 5/16-12 x .75
54	731-04065A	1		Steering Wheel Cover - MTD
56	731-2625	1		Steering Wheel Cap
57	731-2624	1		Steering Wheel - Soft Grip
61	731-04039	1		Steering Wheel Cap - Small w/o logo