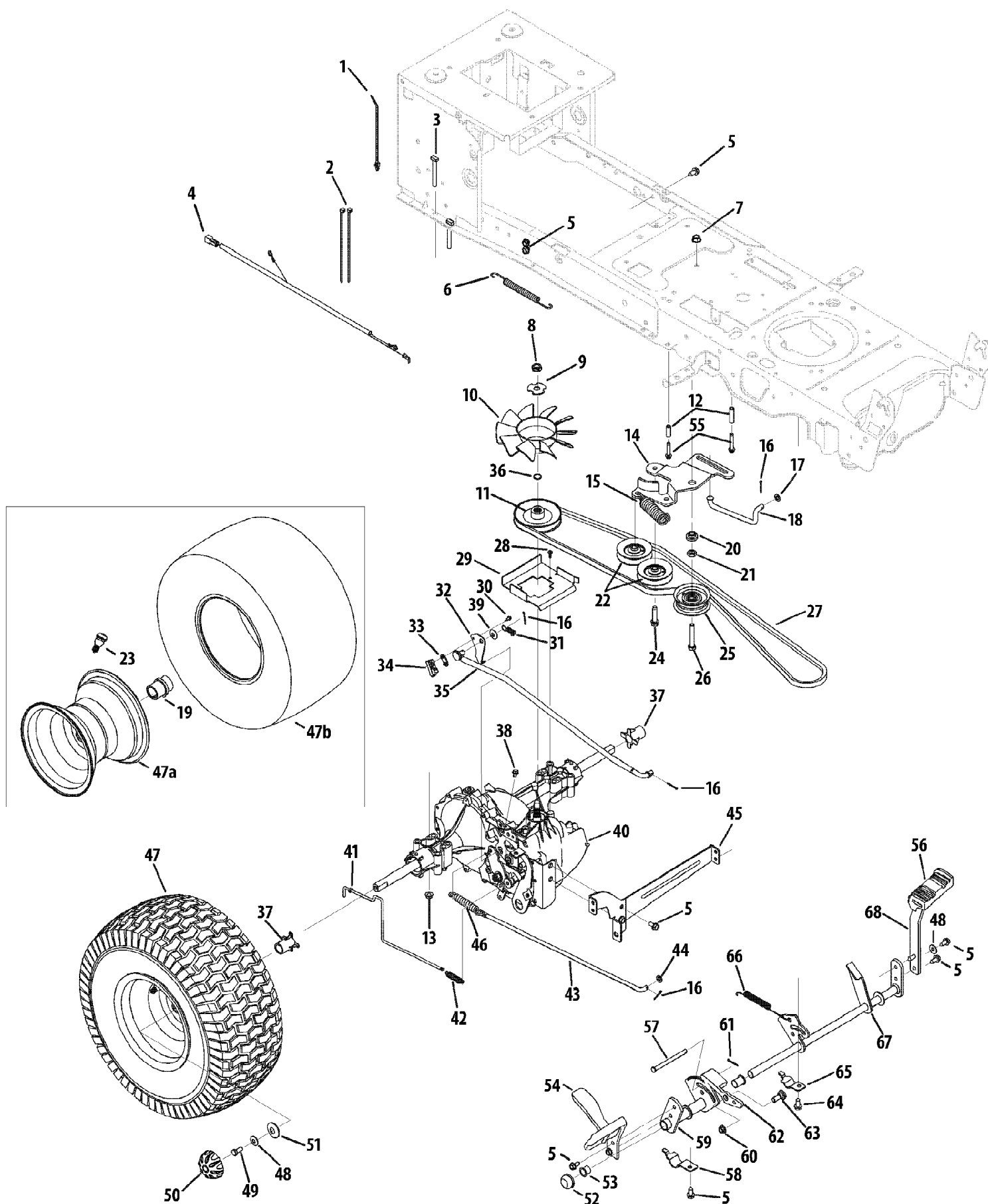


13AV91GS897 (2010)
Drive Assembly



13AV91GS897 (2010)
Drive Assembly

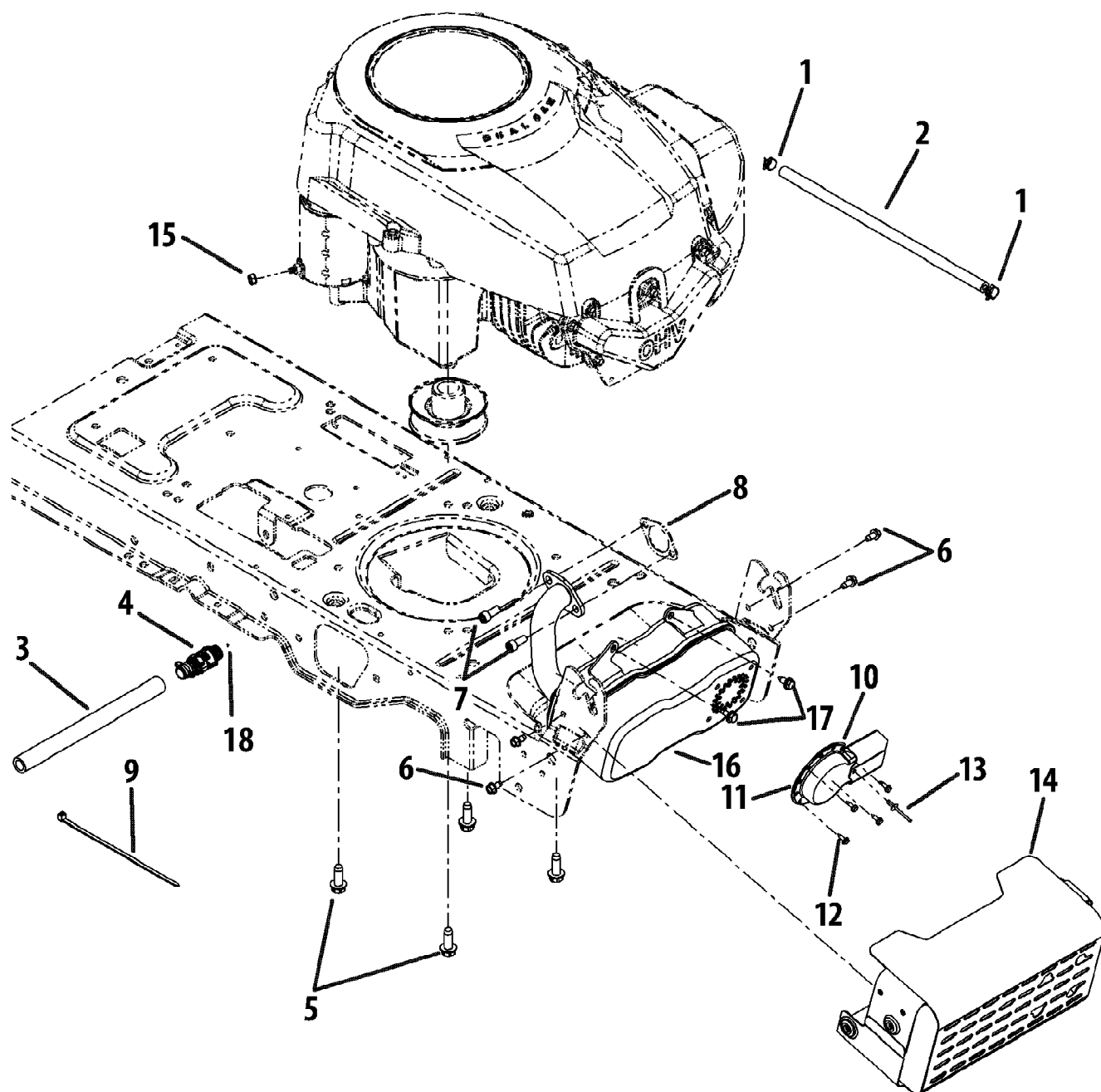
Page 2 of 18

Ref #	Part Number	Qty	S/P/F	Description
1	926-0154	1	/P	Cable Tie, 7.5
2	725-0157	1	/P	Cable Tie, 3/16 x .05 x 7.4
3	710-0176	1	/P	Hex Bolt 5/16-18 x 2.75
4	725-04791A	1		Jumper Harness
5	710-04484	1		S-Tapp Scr 5/16-18 x .75
6	732-04606	1		Extension Spring .50 dia. x 12.6
7	912-0431	1	/P	Flange Locknut 3/8-16 Gr. F
8	912-0346	1	/P	Jam Locknut 1/2-10
9	736-04263	1		Lockwasher
10	731-06098	1		Hydro Fan
11	756-04308	1		Input Pulley
12	750-04456	1		Spacer, .260 x .372 x 1.420
13	712-04063	1	/P	Flange Locknut 5/16-18 Gr. F, Nylon
14	783-06027A	1		Idler Bracket
15	732-04624	1		Extension Spring .59 x 4.0
16	914-0111	1	/P	Cotter Pin 3/32 dia x 1.00 Lg.
17	936-0264	1	/P	Flat Washer .330 x .630 x .0635
18	747-04957A	1		Pedal Transmission Bypass Rod
19	941-0490	1	/P	Axle Hub
20	738-04420	1		Shoulder Spacer 1.375 x .38 x .183
21	912-0240	1	/P	Hex Jam Nut 7/16-20
22	756-04325	1	/P	Idler Pulley
23	934-0255	1	/P	Air Valve
24	710-1007	1	/P	Hex L-Wash HD Scr 3/8-16 x 1.5
25	756-04224	1	/P	Idler Pulley, Flat 2.75 OD
26	710-3011	1	/P	Hex Bolt 3/8-16 x 2.25" Lg.
27	954-04207	1	/P	V-Belt
28	710-0351	1	/P	Truss Mach B-Tapp Scr #10 X .50
29	783-06260-0637	1		Belt Disengage Support Bracket
30	710-0227	1	/P	Hex Washer Screw #8-18 x .50
31	732-3118	1		Extension Spring 3/8 x 1.44
32	783-1019B	1	/P	Switch Actuator Bracket
33	926-0320	1	/P	Insulator Nut Plate
34	725-1644	1		Short Spring Switch
35	747-04979	1		Hydro Control Rod
36	732-0729	1	/P	Wire Ring
37	731-05299A	1		Sleeve 0.765 x 1.5
38	710-0653	1	/P	Hex Wash HD Tapp Scr 1/4-20 x .375
39	736-3010	1		Flat Washer .406 ID x .812 OD x .134
40	918-0319	1	/P	Hydro Transmission
41	747-04991	1		Hydro Bypass Rod
42	932-0209	1	/P	Extension Spring .47 OD x 2.03 Lg.
43	747-04139	1		Brake Rod
44	936-3008	1	/P	Flat Washer .312 ID x .75 OD
45	783-06133-0637	1		Hydro Mount Bracket
46	732-0716D	1	/P	Extension Spring .59 x 4.0
47	634-0104-0911	1	/P	Wheel Ass'y Comp. 20 x 8 x 8
47a	634-04369-0662	1		Rim Only (20")
47b	734-1730-0901	1	/P	Tire Only (20")
48	736-0242	1	/P	Cupped Washer .345 ID x .88 OD x .060
49	710-0627	1	/P	Hex L-Bolt 5/16-24 x .75 Gr. 5
50	731-2290A	1	/P	Hub Cap
51	736-0430	1	/P	Flat Washer .350 x 1.59 x .062

13AV91GS897 (2010)
Drive Assembly

Page 3 of 18

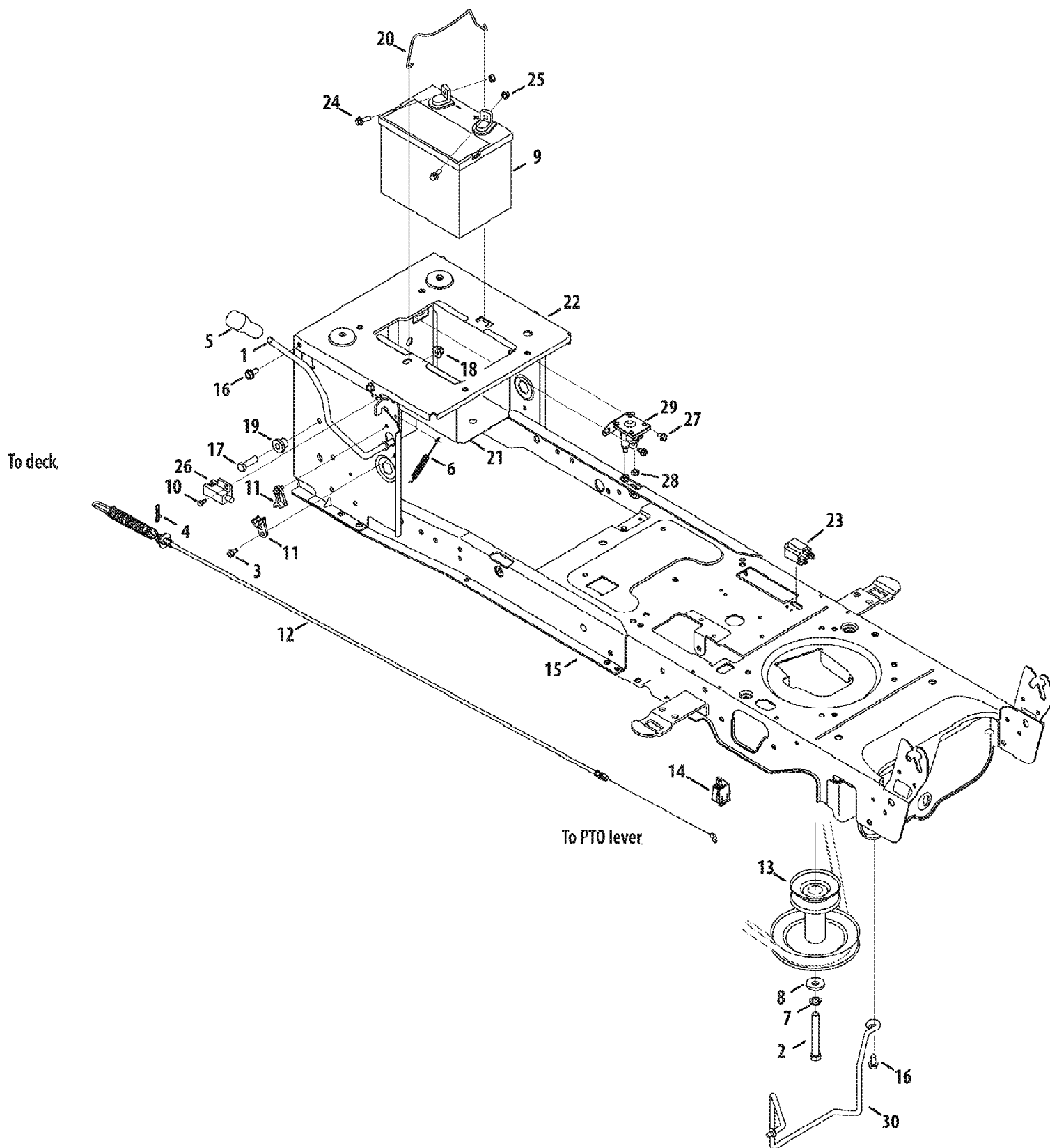
Ref #	Part Number	Qty	S/P/F	Description
52	726-0214	1	/P	Push Cap 5/8" Dia Rod
53	741-0495	1	/P	Nyliner Flanged Brg.
54	719-0584B-0637	1	/P	Control Pedal
55	710-1325	1	/P	Hex Washer Hd. TT Screw 1/4-20 x 1.625
56	735-04136	1		Brake Pedal Pad
57	711-05068	1		Clevis Pin 5/16 x 3.985
58	783-05914	1		Transmission Rod Support Strap
59	683-04537	1		Hydro Pedal Brkt. Assembly
60	712-04065	1	/P	Flange Lock-Nut 3/8-16 Gr. F Nylon
61	714-04040	1		Bow-Tie Cotter Pin
62	748-04203	1		Cruise Latch
63	938-0380	1	/P	Shoulder Screw .500 x .25
64	710-0604A	1	/P	Self-tapping Screw 5/16-18 x .625
65	783-05940	1		Brake Shaft Support Strap
66	732-04587	1		Extension Spring .63 x 4.95
67	647-04152A	1		Brake Control Assembly
68	783-06103A-0637	1		Brake Pedal Bracket



13AV91GS897 (2010)
 Engine Accessories Kohler Single

Page 5 of 18

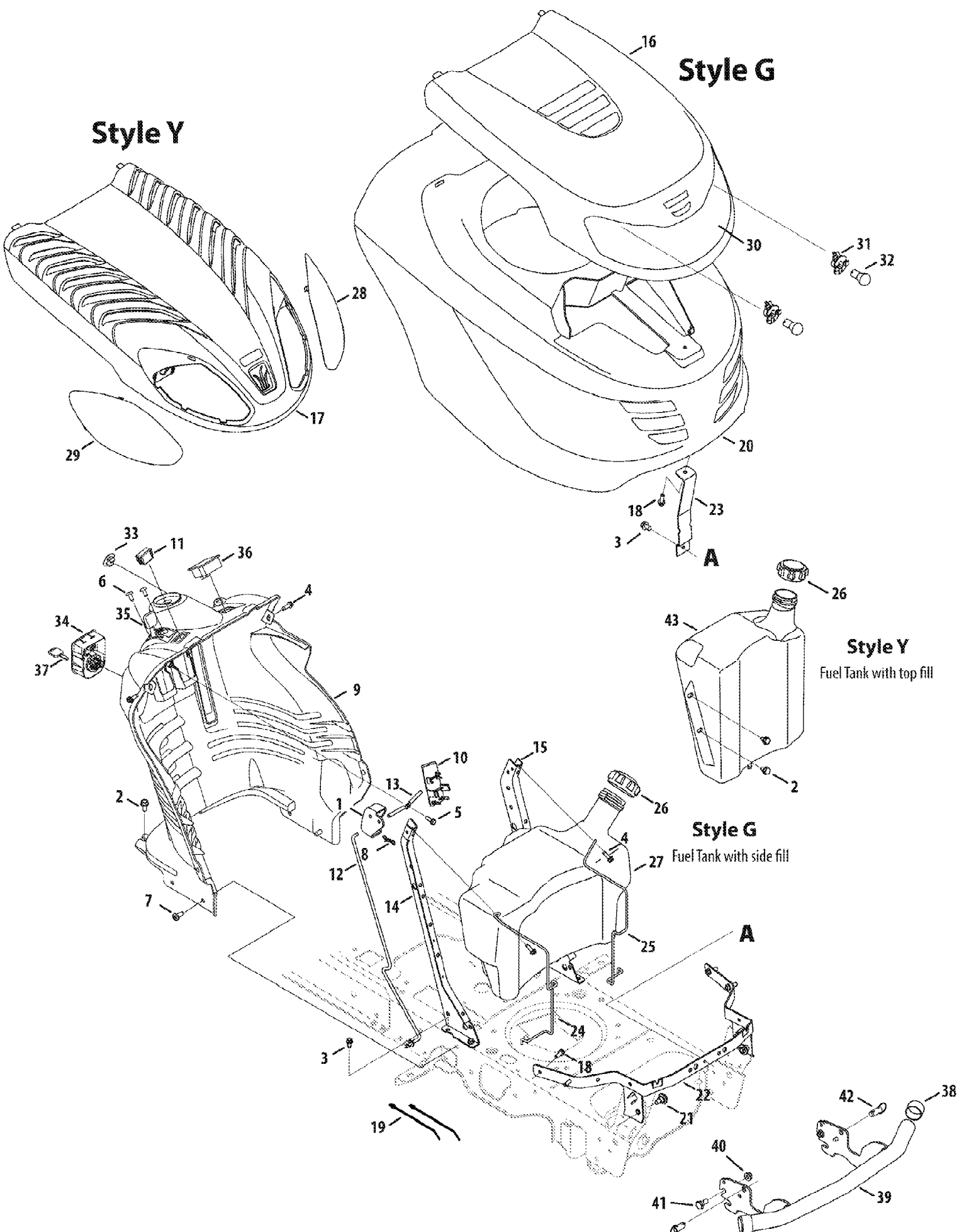
Ref #	Part Number	Qty	S/P/F	Description
1	726-0205	1	/P	Hose Clamp
2	751-10349-28	1	/P	Fuel Line
3	751-3141-14	1	/P	Oil Drain Hose
4	951-10517A	1	/P	Oil Drain
5	710-04683	1		TT Screw 3/8-16 x 1.00
6	710-0599	1	/P	Hex Wash S-Tapp Scr 1/4-20 x .50
7	710-1314A	1	/P	Scr. 5/16-18 x .75
8	721-0377A	1	S	Exhaust Gasket
9	725-0157	1	/P	Cable Tie
10	751-0564B	1	/P	Muffler Deflector
11	751-10353	1		Long Muffler Deflector
12	710-0227	1	/P	Hex AB Scr #8-18 x .50
13	728-04000	1		Pop Rivet
14	683-04549-0637	1	/P	Muffler Shield Assembly
15	712-0271	1	/P	Hex Sems Nut 1/4-20
16	751-11022	1		Muffler
17	710-1652	1	/P	Hex Washer Screw 1/4-20 x .625



13AV91GS897 (2010)
Frame & Manual PTO

Page 7 of 18

Ref #	Part Number	Qty	S/P/F	Description
1	647-04151	1		Handle Ass'y , PTO
2	710-04876	1		Hex Screw 7/16-20 x 3.5 Gr. 5
3	710-0599	1	/P	Hex Wash S-Tapp Scr 1/4-20 x .50
4	714-04040	1		Bow-Tie Cotter Pin
5	720-04049A	1	/P	Handle Grip 3/8
6	732-0932	1		Extension Spring .38 Dia. x 5.6
7	936-0171	1	/P	Lockwasher 7/16 ID
8	736-0322	1	/P	Flat Washer .450 x 1.25 x .164
9	925-1707D	1	/P	Battery 245 CCA (Dry)
10	738-04237A	1		Shoulder Screw #10-32 x .50
11	741-04119A	1	/P	Bearin, PTO
12	946-04618	1	/P	Deck Engagement Cable
13	756-04196A	1	/P	Engine Pulley 3.39 x 6.12 Dia.
14	725-04807	1		Switch, Plunger, snap mount
15	683-04469A-0606	1		Lower Frame Ass'y
16	710-04484	1		Hex Wash Hd. Tapp Scr. 5/16-18 x .75
17	710-3005	1	/P	Hex Bolt 3/8-16 x 1.25
18	712-04065	1	/P	Flange Lock-Nut 3/8-16 Gr. F Nylon
19	738-04058	1		Shoulder Spacer .38 x 1.0 x .70
20	747-04121A	1		Battery Retainer Rod
21	783-0349-0637	1		Battery Tray
22	783-06089-0606	1		Seat Frame Bracket
23	725-04232	1		Switch, 3-Pole, (NC-NO-NO)-Brake
24	710-04666	1		Hex Hd. Flg. Scr. 1/4-20 x .75 Gr. 5
25	712-0271	1	/P	Sems Hex Nut 1/4-20
26	725-04363	1		Switch, Interlock
27	710-0653	1	/P	Hex Wash HD Tapp Scr 1/4-20 x .375
28	712-04064	1	/P	Hex L-Flanged Nut 1/4-20 Gr. F Nylon
29	725-04439	1		Solenoid
30	747-05171	1		Belt Keeper Rod

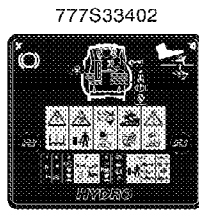
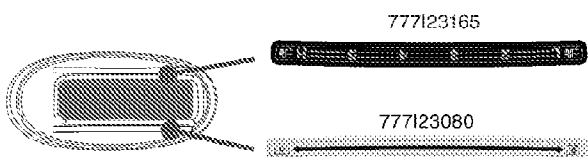


13AV91GS897 (2010)
Hood & Grille

Page 9 of 18

Ref #	Part Number	Qty	S/P/F	Description
1	631-04353P	1	/P	Dash Lever
2	710-04484	1		S-Tapp Scr 5/16-18 x .75
3	710-0599	1	/P	Hex Wash S-Tapp Scr 1/4-20 x .50
4	710-0642	1	/P	Hex TT Screw 1/4-20 x .75
5	710-0895	1		Hex Tapp Scr 1/4 x .75" Lg.
6	710-1017	1	/P	Torx Mach. AB-Tapp Scr. 1/4-14 x .625 Lg
7	710-1611B	1	/P	Screw 5/16-18 x .75
8	714-04040	1		Bow-Tie Cotter Pin
9	931-06495	1	/P	Dash Panel (Man. PTO w/fuel level window)
10	731-06643	1		Cruise Cover Y/G Style
11	731-07042	1		Light Switch Cap
12	747-05008B	1		Latch Control Rod
13	747-1155	1		Pivot Rod
14	783-04285F-0637	1	/P	RH Dash Support Plate
15	783-04323F-0637	1	/P	LH Dash Support Plate
16	931-04308	1	/P	Upper "G" Style Hood
17	N/A	1		Upper "Y" Style Hood Not Used in this application
18	710-05108	1		Screw, Bos, 1/4 Dia. x .75
19	926-0154	1	/P	Cable Tie
20	931-06538	1	/P	G Style Hood (w/side fill fuel tank)
21	738-04091A	1	/P	Shoulder Screw .43 x .29, 5/16-18
22	783-04606C-0637	1	/P	Hood Pivot Bracket
23	783-06117-0637	1	/P	Hood Support Bracket
24	747-05049	1		Tank Support Rod RH
25	747-05050	1		Tank Support Rod LH
26	751-0603A	1	/P	Cap-Fuel
27	951-10573	1	/P	Fuel Tank 2.75 Gal. (side fill)
28	N/A	1		Lens LH - Style "Y" Not Used in this application
29	N/A	1		Lens RH - Style "Y" Not Used in this application
30	931-06564	1	/P	Lens (Style G)
30	777X43285	1		Reflector Label
31	925-1649	1	/P	Socket
32	925-0963	1	/P	Miniature Lamp 12V Socket Type
33	731-1999	1		Choke Plug
34	925-04230B	1	/P	Key Switch Module
35	746-04364	1		Throttle/Choke Cont. Cable 25" Lg.
36	925-04036C	1	/P	Am Meter
37	925-1745A	1	/P	Ignition Key w/Plastic Cover
38	731-05674	1		Bumper Cap
39	683-04219B-0637	1	/P	Bumper Assembly
40	912-3000	1	/P	Hex Lock-Nut 3/8-16 Gr.B
41	738-0143	1	/P	Shoulder Scr. .498 x .340: 3/8-16
42	714-04061	1		Quick Pin 1/2" dia. x 0.50
43	N/A	1		Fuel Tank Not Used in this application
	925-04105	1	/P	Harness (Man PTO/RMC/Hr. Meter) Not shown

13AV91GS897 (2010)
Label Map 42-Inch



777CD30086
Center On Rear Fender
COLUMBIA

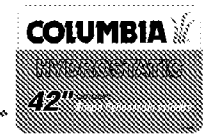
777D13468
On Left Side Panel
Centered Under Air Vent



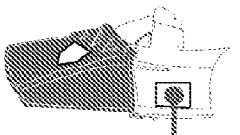
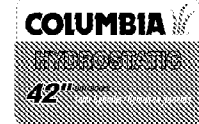
777D13467
On Right Side Panel
Centered Under Air Vent



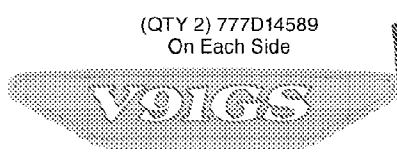
777D14664
Center On Operators Left
Side Of Fender Front



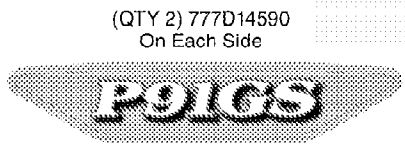
777D11929
Center On Operators Left
Side Of Fender Front



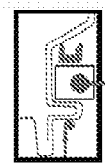
777D14459
42"
CUT
COUPE
106.6
CENTIMETERS
centimètres



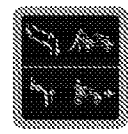
(QTY 2) 777D14589
On Each Side



(QTY 2) 777D14590
On Each Side

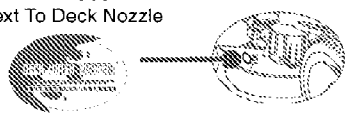


777I23098
Upper Right Side
Rear Hitch Plate



777I22679
Top Of Engine

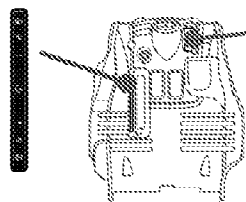
777D13382
Next To Deck Nozzle



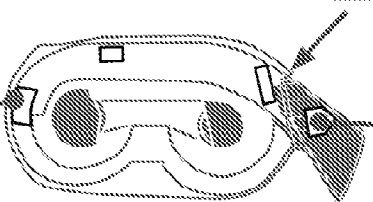
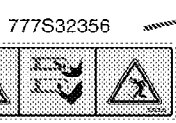
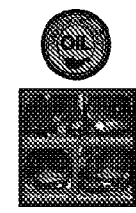
777S30296
Place Under Chute



777I23082



777I20882

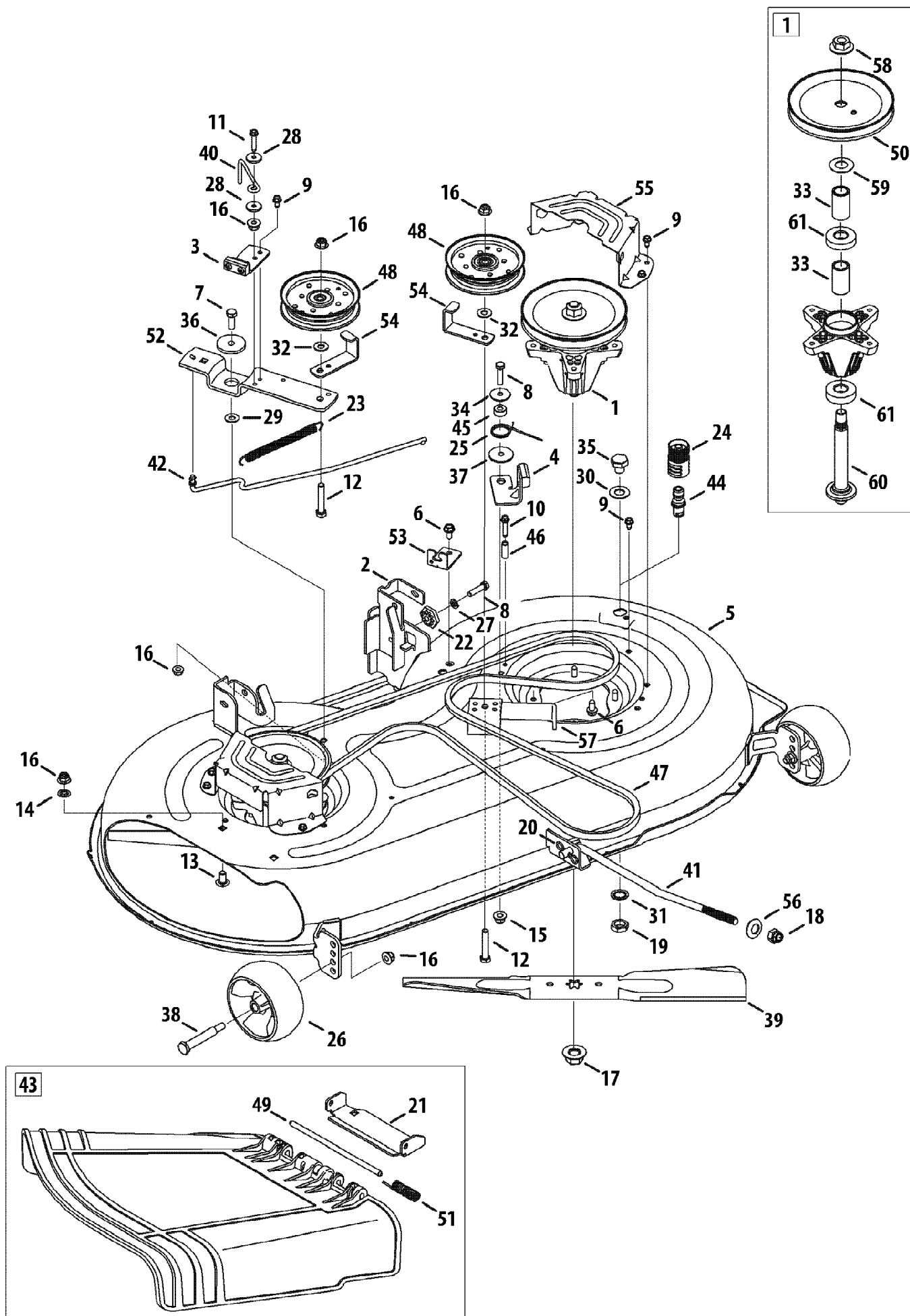


REF: Chute Label

13AV91GS897 (2010)
Label Map 42-Inch

Page 11 of 18

Ref #	Part Number	Qty	S/P/F	Description
777X43285	777X43285	1		LABEL-REFLECTOR G STYLE
777CD30086	777CD30086	1		LABEL-REAR FENDER COLUMBIA
777D13468	777D13468	1		LABEL-RIDER HOOD LH COLUMBIA
777D13467	777D13467	1		LABEL-RIDER HOOD RH COLUMBIA
777D14589	777D14589	1		LABEL-RDR:COLUMBIA V91GS 13AV91GS897
777D14590	777D14590	1		LABEL-RDR:COLUMBIA P91GS 13AP91GS897
777D14459	777D14459	1		LABEL-RIDER DECK 42"
777D13382	777D13382	1		LABEL-DECK WASH
777S32356	777S32356	1		LABEL-RIDER SAFETY
777S30296	777S30296	1		LABEL-RIDER DECK:
777I23082	777I23082	1		LABEL-RIDER NX-9 GAS GUAGE
777I20882	777I20882	1		LABEL-DASH THROTTLE
777I22679	777I22679	1		LABEL-CHECK ENG OIL
777I23098	777I23098	1		LABEL-HYDRO RELEASE
777D14664	777D14664	1		LABEL-RDR:CLMBIA 42 SNGL RNG BRD 13AV91GS897
777D11929	777D11929	1		LABEL-HYD 42" FNDR COLUMBIA 13AP91GS897
777S33402	777S33402	1		LABEL-RDR:NX9 HYDRO OCR CHK
777I23080	777I23080	1		LABEL-RIDER PTO POD EXPORT
777I23165	777I23165	1		LABEL-RIDER RT99 DECK HT POD



13AV91GS897 (2010)
Mower Deck 42

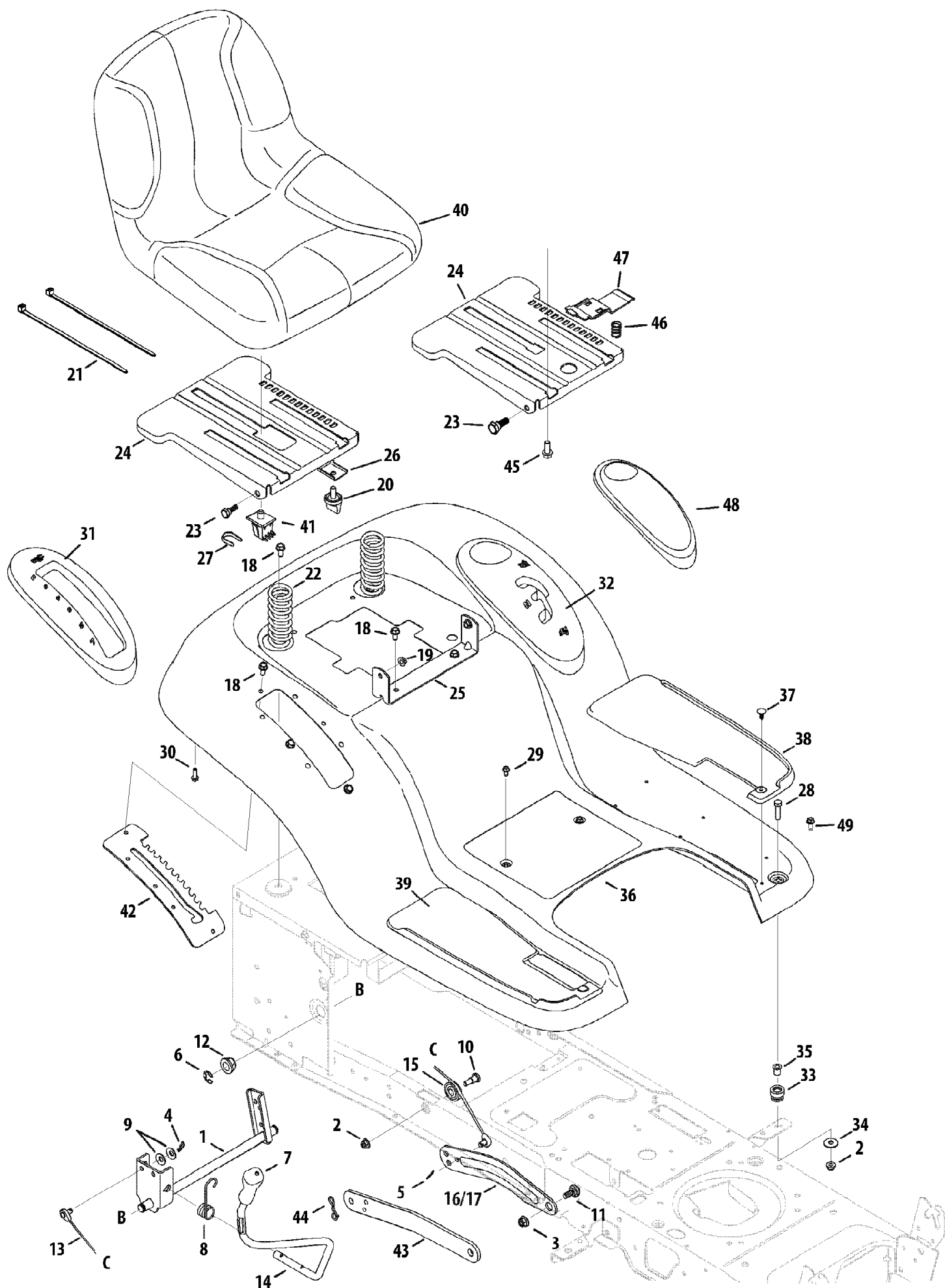
Page 13 of 18

Ref #	Part Number	Qty	S/P/F	Description
1	918-04822A	1	/P	Pulley Spindle Ass'y 6.3 dia.
2	683-0254B-0606	1		Deck Hanger Bracket Ass'y LH
3	983-04511	1	/P	Deck Brake Assembly
4	983-04525	1	/P	Deck Brake Assembly
5	983-04572-0606	1	/P	Deck Assembly, 42" w/ deck wheels
6	710-04484	1		S-Tapp Scr 5/16-18 x .75
7	710-0514	1	/P	Hex. Hd. Cap Scr. 3/8-16 x 1.0 Gr. 5
8	710-0528	1	/P	Hex Wash Tap Scr 5/16-18 x 1.25
9	710-0599	1	/P	Hex Wash S-Tapp Scr 1/4-20 x .50
10	710-0778	1	/P	Hex Wash HD Bolt 1/4-20 x 1.50" Lg.
11	710-0809	1		Hex Bolt 1/4-20 x 1.25
12	710-3144	1	/P	Hex. Hd. Cap Scr. 3/8-16 x 2.0 Gr. 5
13	710-3178	1	/P	Carriage Bolt 3/8-16 x .75 Gr. 1
14	712-0229	1		Push Nut, 3/8
15	712-04063	1	/P	Hex Flange Locknut 5/16-18 Gr. F, Nylon
16	712-04065	1	/P	Hex Flange Locknut 3/8-16 Gr. F Nylon
17	712-0417A	1	/P	Hex Flange Locknut 5/8-18
18	712-04243	1		Hex Locknut 1/2-13
19	912-0641	1	/P	Hex Nut M16-1.5 DIN 936
20	714-04043	1		Bow Tie Cotter Pin
21	783-06074A	1		Chute Bracket
22	917-04074	1	/P	Deck Gear Adjuster
23	932-0384	1	/P	Extension Spring .62 dia. x 6.12 Lg.
24	921-04041	1	/P	Water Nozzle Adapter
25	732-04727	1		Torsion Spring .992 ID x 1.17 OD
26	734-04155	1		Deck Wheel 5.0 Dia.
27	936-0119	1	/P	L-Wash 5/16 ID
28	936-0176	1	/P	Flat Washer .265 ID x .938 OD x .120
29	936-0344	1	/P	Flat Washer .385 ID x 1.0 OD x .030
30	736-0187	1	/P	Flat Washer .640 ID x 1.24 OD x .06
31	736-0225	1	/P	L-Washer Internal
32	736-0262	1	/P	Flat Washer .385 ID x .870 OD x .092
33	750-04936	1		Spacer .792 x 1.060 x 1.860
34	736-0362	1	/P	Flat Washer .330 ID x 1.25 OD x .06
35	738-04146	1		Screw Plug M16 x 1.50
36	738-04162A	1	/P	Shoulder Spacer .8540 x .200
37	738-04166	1		Shoulder Spacer .50 Dia x .1475
38	938-3056	1	/P	Shoulder Bolt .496 x 2.5, 3/8-16
39	942-04308	1	/P	Blade, 21.23", 2-in-1
40	747-04530	1		Belt Keeper Rod
41	747-04944B	1	/P	Front Lift Deck Rod
42	747-05105	1		Brake Control Rod
43	631-04349	1		Side Discharge Chute Assembly
44	737-04003D	1	/P	Deck Water Nozzle
45	750-0258	1	/P	Spacer .315 x .750 x .375" Lg.
46	750-0566A	1	/P	Spacer .260 x .375 x 1.030 Lg.
47	954-04060B	1	/P	V-Belt
48	756-04129B	1	/P	Idler Pulley w/Flange 4.25 Dia
49	711-04847A	1	S	Hinge Pin .3125 diam. x 7.96" Lg.
50	956-1227	1	/P	Deck Pulley 6.3 dia.
51	732-04372	1		Torsion Spring .44 ID x 2.0
52	783-05946	1		Idler Pivot Bracket
53	783-06243-0637	1		Deck Engagement Bracket

13AV91GS897 (2010)
Mower Deck 42

Page 14 of 18

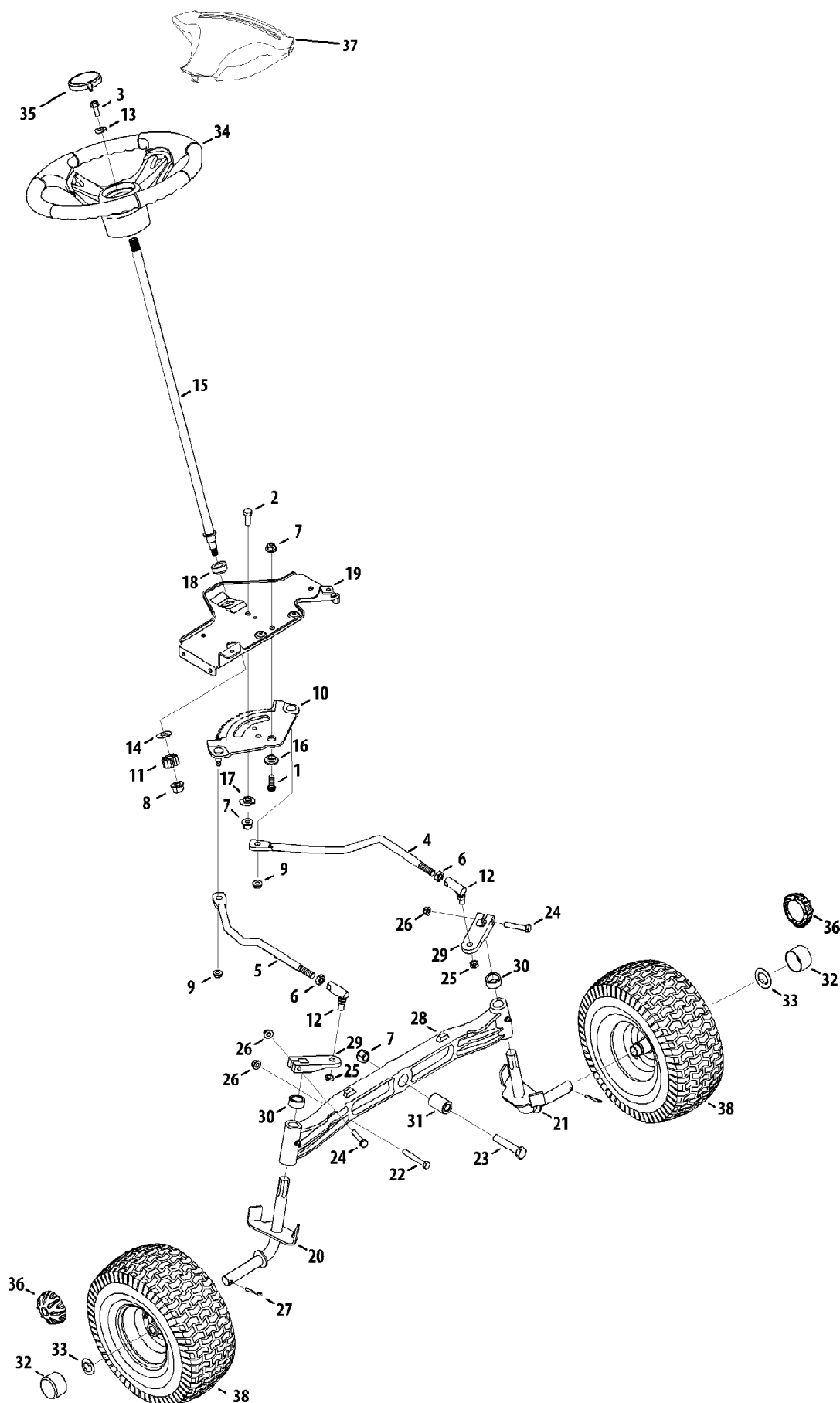
Ref #	Part Number	Qty	S/P/F	Description
54	783-06368-0637	1	S	Belt Guard Pulley Bracket
55	783-06424A-0637	1		Belt Cover
56	748-04069	1		Deck Lift Pivot Cup
57	783-06643-0637	1		Deck Support Station ary Idler Brkt.
58	712-0417A	1	/P	Hex Flange Locknut 5/8-18
59	936-0351	1	/P	Flat Washer .760 ID x 1.5 OD
60	738-1186A	1		Spindle Shaft 6.11" Lg.
61	941-0919	1	/P	Ball Bearing .787 ID x 1.85 OD x .551



13AV91GS897 (2010)
Seat & Fender

Page 16 of 18

Ref #	Part Number	Qty	S/P/F	Description
1	683-04223-0637	1	/P	Lift Shaft Ass'y
2	712-04063	1	/P	Flange Locknut 5/16-18 Gr. F, Nylon
3	712-04065	1	/P	Flange Lock-Nut 3/8-16 Gr. F Nylon
4	914-0104	1	/P	Int. Cotter Pin .072 x 1.13" Lg.
5	714-04040	1		Bow-Tie Cotter Pin
6	716-0106A	1		E-ring .625 Shaft
7	720-0311	1		Handle Grip
8	732-0874	1	/P	Torsion Spring
9	736-0105	1	/P	Cupped Washer .375 ID x .870 OD x .063
10	738-0138A	1	/P	Shoulder Scr. .437 Dia x .47
11	938-0380	1	/P	Shoulder Screw .500 x .25 (42")
11	738-04130	1		Shoulder Bolt 3/8-16 x .625 (46")
12	741-0225	1	S	Hex Flange Bearing .630 ID
13	746-0968	1		Lift Cable, 16.16
14	747-04962A	1	/P	Lift Handle
15	756-04331	1		Roller Pulley
16	783-04494C-0637	1	/P	Lift Arm RH
17	783-04711C-0637	1	/P	Lift Arm LH
18	710-04484	1		Hex Wash Hd. Tapp Scr. 5/16-18 x .75
19	712-3004A	1	/P	Hex Flange L-Nut 5/16-18
20	720-04061	1		Knob
21	725-0157	1	/P	Cable Tie
22	732-04561	1		Compression Spring 1.71 x 3.735 x .238
23	938-0296	1	/P	Shoulder Screw
24	783-06049-0606	1		Seat Mounting Bracket
25	783-06088-0606	1		Seat Pivot Bracket
26	783-06266-0637	1	/P	Seat Bracket, Knob adjustment
27	783-06448	1		Switch Retaining Clip
28	710-0528	1	/P	Hex Bolt 5/16-18 x 1.25
29	710-0599	1	/P	Hex Wash S-Tapp Scr 1/4-20 x .50
30	710-0895	1		Hex Tapp Scr 1/4 x .75" Lg.
31	731-06795	1		Lift Lever Cover
32	931-2104C	1	/P	Shift Lever Cover
33	735-0690	1		Grommet .4375 ID x .75
34	736-3078	1	/P	Flat Washer .344 ID x 1.0
35	750-3310	1		Flange Spacer .3125 x .4375 x .625
36	783-06259-0606	1		Fender
37	726-3046	1	/P	Foot Pad Clips
38	735-04138	1		Foot Pad LH
39	735-04158	1		Foot Pad RH
40	757-04086	1		Seat, High Back
41	925-05013	1	/P	Seat Switch
42	783-06443-0637	1		Lift Bracket 6 positions
42	783-06039-0637	1		Lift Bracket 12 positions
43	783-05546A-0637	1	/P	Lift Link (46")
44	714-04040	1		Bow-Tie Cotter Pin (46")



13AV91GS897 (2010)
Steering Assembly

Page 18 of 18

Ref #	Part Number	Qty	S/P/F	Description
1	710-04095	1		Screw, 3/8-16 x 1.0
2	710-0514	1	/P	Hex Screw 3/16 x 1.00
3	710-0643	1	/P	Hex Screw 5/16-18 x 1.00 Special
4	711-04998	1		Link, Drag LH
5	711-04999	1		Link, Drag RH
6	912-0240	1	/P	Hex Jam Nut 7/16-20
7	712-04065	1	/P	Flange Lock-Nut 3/8-16 Gr. F Nylon
8	712-0459	1	/P	Flange Lock Nut, 7/16-20
9	712-3004A	1	/P	Hex Flange L-Nut 5/16-18
10	717-1550F	1	/P	Steering Gear, 11/90 Ratio
11	717-1554	1		Steering Pinion Gear
12	923-0448A	1	/P	Ball Joint, 7/16 - 20
13	936-3004	1	/P	Flat Washer .406 ID x .875 DE x .105
14	736-3084	1	/P	Fl. Washer .510 x 1.120 x .060
15	738-04263	1		Steering Shaft .625 OD x 24.25
15	738-04262	1		Steering Shaft .625 OD x 25.00
16	738-04363	1		Shoulder Spacer .385 x 1.25 x .3025
17	738-04364B	1		Spacer .38x 1.375 Special
18	741-04237B	1	/P	Hex Flange Bearing 5/8
19	783-06043-0637	1		Steering Support Bracket
20	938-04034	1	/P	Axle Ass'y RH .750 Dia. (46" Deck)
20	638-04032-0637	1		Axle Ass'y RH .750 Dia. (42" Deck)
21	638-04035P	1	/P	Axle Ass'y LH .750 Dia. (46" Deck)
21	638-04033-0637	1		Axle Ass'y LH .750 Dia. (42" Deck)
22	710-0395	1	/P	Hex Bolt 5/16-18 x 2.25
23	710-0859	1	/P	Hex Cap Screw, 3/8-16 x 2.5
24	710-3180	1	/P	Hex Screw 5/16-18 x 1.75" Lg.
25	912-0214	1	/P	Hex Cent L-Nut 3/8-24
26	712-04063	1	/P	Flange Locknut 5/16-18 Gr. F, Nylon
27	714-0162	1	/P	Cotter Pin 5/32" Dia.
28	719-04413A	1		Pivot Bar (cast)
29	748-04065-0637	1	/P	Steering Block
30	748-04068	1		Spacer .710 ID x .125 OD x .56
31	750-05280	1		Spacer .385 x 1.0 x 1.5075
32	731-05674	1		Hub Cap
33	736-04228A	1		Flat Washer .350 x 1.559 x .062
34	631-04028	1		Steering Wheel, Standard Grip
34	631-04008A	1	/P	Wheel Ass'y
35	731-04040	1		Steering Wheel Cap (spig)logo
36	731-2290A	1	/P	Hub Cap
37	731-04065A	1		Steering Wheel Cover (w/sprigs)
38	634-04406-0911	1		Wheel Ass'y Comp. 15 x 6 x 6
38	734-1731-0901	1	/P	Tire Only
38	634-04405-0662	1		Rim Ass'y Only