

13AV90GS897 (2010)
Drive Assembly

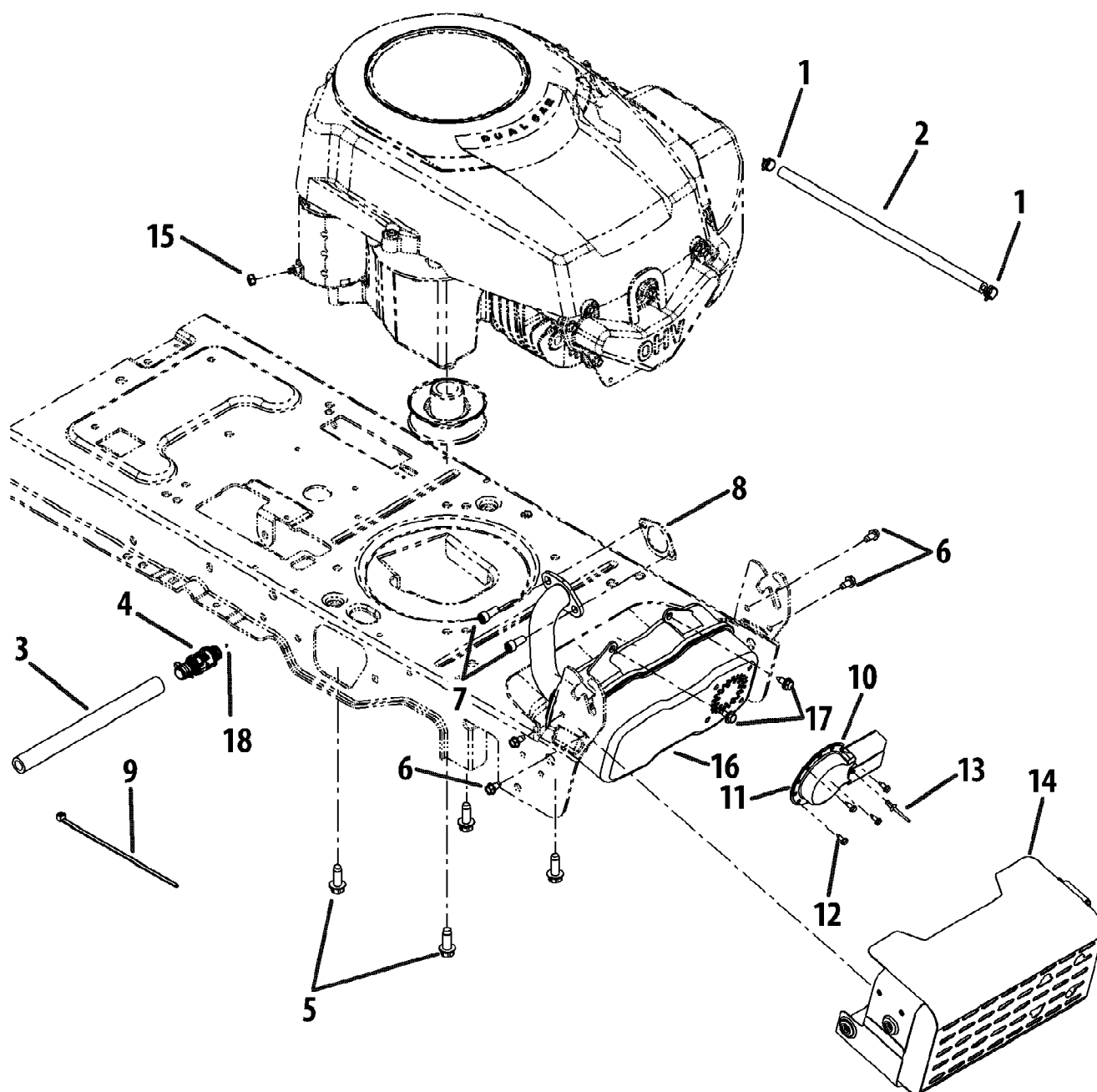
Page 2 of 22

Ref #	Part Number	Qty	S/P/F	Description
1	918-04566	1	/P	Transaxle Ass'y
2	731-2290A	1	/P	Hub Cap
3	647-04035	1		Shift Lever Ass'y
4	710-0176	1	/P	Hex Scr 5/16-18 x 2.75
5	710-0227	1	/P	Hex Wash HD AB S-Tapp Scr #8-.50
6	710-04484	1		Hex Wash Hd. Tapp Scr. 5/16-18 x .75
7	710-1007	1	/P	Hex L-Wash HD Scr 3/8-16 x 1.5
8	710-1026	1	/P	Hex TT-Tap Scr 1/4-20 x 1.75
9	710-3011	1	/P	Hex Bolt 3/8-16 x 2.25" Lg.
10	710-3025	1	/P	Screw-Hex Cap
11	912-0240	1	/P	Hex Jam Nut 7/16-20
12	712-0241	1	/P	Hex Nut 3/8-24
13	712-04063	1	/P	Flange Locknut 5/16-18 Gr. F, Nylon
14	912-0431	1	/P	Hex. Flanged L-Nut 3/8-16 Gr. F
15	712-0700	1	/P	Flange Nut
16	914-0104	1	/P	Int. Cotter Pin .072 x 1.13" Lg.
17	914-0111	1	/P	Cotter Pin 3/32 dia x 1.00 Lg.
18	914-0209	1	/P	Cotter Pin
19	718-04407	1		Hub, 5/8" spline
20	720-04028	1		Shift Knob
21	923-3018	1	/P	Drag Link Ball Joint
22	725-1644	1		Short Spring Switch
23	926-0320	1	/P	Insulator Nut Plate
24	731-04602	1		Sleeve, .758 x .821 x 3.3125
25	731-04604	1		Sleeve, .758 x .821 x 2.4375
26	731-06894	1		Shift Plate Bearing
27	732-04612	1		Extension Spring .70 OD x 12.0
28	732-04616	1		Extension Spring .97 OD x 6.18
29	732-0525	1		Complete Spring Clip
30	732-0716D	1	/P	Extension Spring .59 OD x 4.0
31	936-0140	1	/P	Flat Washer .385 ID x .62 OD x .06
32	936-0169	1	/P	L-Wash 3/8 ID
33	936-3008	1	/P	Flat Washer .312 ID x .75 OD
34	736-0242	1	/P	Cupped Washer .345 ID x .88 OD x .060
35	941-0600	1	/P	Ball Bearing 17 x 40 x 12
36	738-04091A	1	/P	Shoulder Screw 5/16-18, .43 x .29
37	738-04420	1		Shoulder Spacer 1.375 x .380 x .183
38	747-04957A	1		Footpedal Bypass Rod
39	747-04959A	1		Idler Adjustment Rod
40	747-04984	1		Brake Rod
41	747-05109	1		Shift Rod
42	750-04456	1		Spacer .260 x .372 x 1.420
43	954-04208	1	/P	V-Belt
44	954-04267	1		V-Belt
45	956-04002	1	/P	Pulley, V-Type, 7.25 dia.
46	756-04224	1	/P	Idler Pulley, Flat 2.75 OD
47	756-04325	1	/P	Idler Pulley V-Type x 3.06
48	783-04595A	1		Shift Adjustment Bracket
49	783-06027A	1		Idler Bracket (Centre Double)
50	783-06132	1		Shift Bracket F-N-R
51	647-04152A	1		Brake Control Ass'y
52	683-0266	1		Auto Drive Pedal Assembly
53	683-04489	1		Auto Drive Pedal Assembly

13AV90GS897 (2010)
Drive Assembly

Page 3 of 22

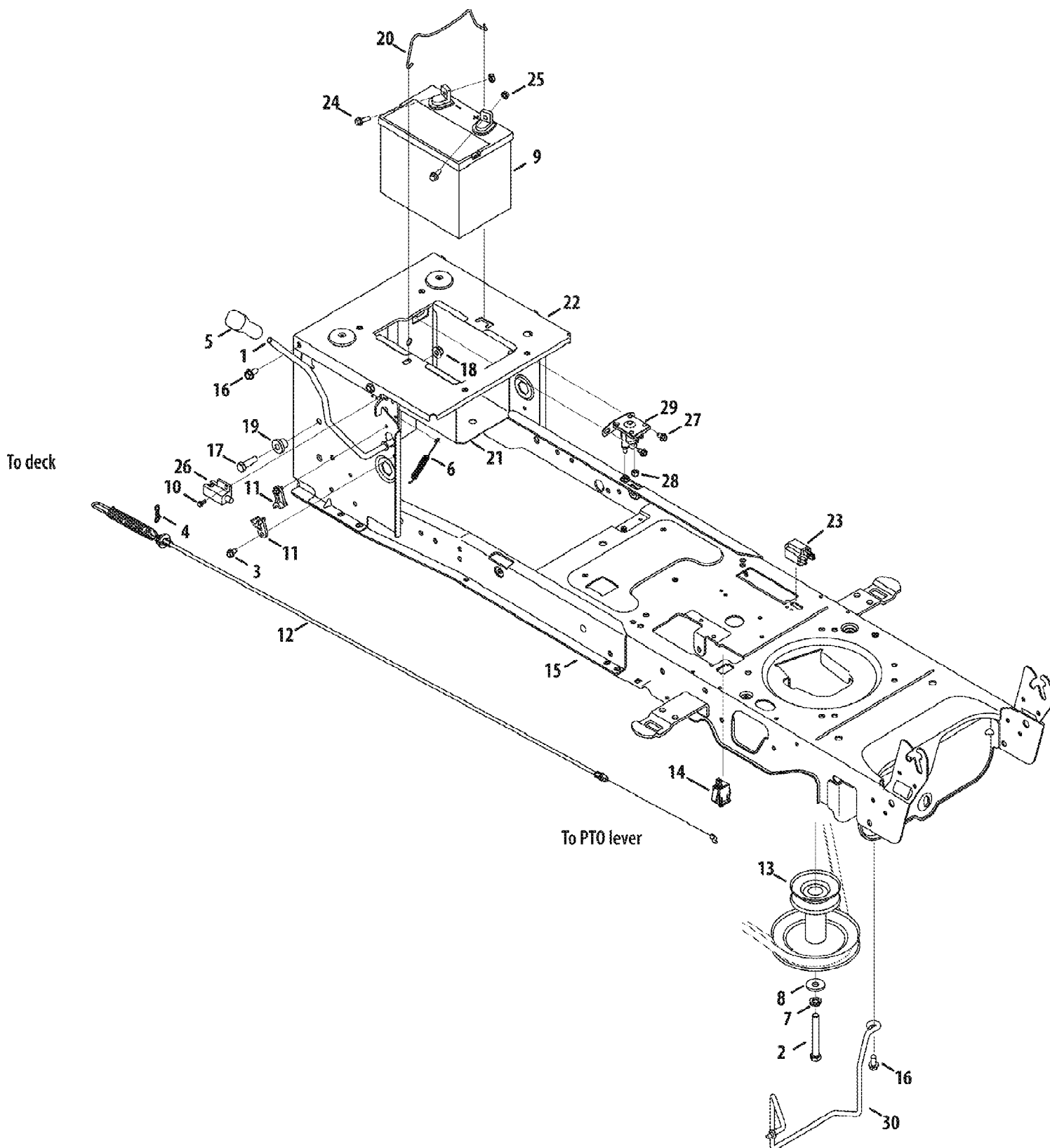
Ref #	Part Number	Qty	S/P/F	Description
54	710-0604A	1	/P	Self-tapping Screw 5/16-18 x .625
55	711-05068	1		Clevis Pin 5/16 x 4.02
56	712-04065	1	/P	Flange Lock-Nut 3/8-16 Gr. F Nylon
57	714-04040	1		Bow-Tie Cotter Pin
58	726-0214	1	/P	Push Cap 5/8" Dia Rod
59	732-04587	1		Extension Spring .63 dia. x 4.95
60	735-04136	1		Brake Pedal Pad
61	735-0662	1		Auto Drive Pedal Pad
62	736-0242	1	/P	Cupped Washer .345 ID x .88 OD x .060
63	938-0380	1	/P	Shoulder Screw .500 x .25
64	741-0495	1	/P	Nyliner Flanged Brg.
65	741-3065B	1	/P	Hex Flanged Bearing .628 ID
66	748-04203	1		Cruise Latch
67	783-05914	1		Pedal Strap Support Bracket
68	783-05940	1		Pedal Strap Support Bracket
69	783-06103A-0637	1		Brake Pedal Bracket
70	783-06278	1		Reinforcement Plate Bracket
71	683-04520	1		Transmission Bracket Assembly
72	683-04521	1		Idler Bracket Ass'y
73	710-1260A	1	/P	Hex Wash. Hd. Scr. 5/16-18 x .75 Lg.
74	710-3005	1	/P	Hex Bolt 3/8-16 x 1.25
75	738-04162A	1	/P	Shoulder Spacer .884 x .190
76	956-04015A	1	/P	Variable Speed Pulley Assembly 4.75 OD
77	683-04522	1		Belt Keeper Ass'y
78	683-04523	1		Variable Bracket Ass'y
79	710-0627	1	/P	Hex L-Bolt 5/16-24 x .75 Gr. 5
80	710-0778	1	/P	Hex Wash HD Bolt 1/4-20 x 1.50" Lg.
81	718-04261	1		Bearing Cup
82	736-0362	1	/P	Flat Washer .22 ID x 1.25
83	736-0430	1	/P	Flat Washer, .350 x 1.59 x .062



13AV90GS897 (2010)
Engine Accessories Kohler

Page 5 of 22

Ref #	Part Number	Qty	S/P/F	Description
1	726-0205	1	/P	Hose Clamp
2	751-10349-28	1	/P	Fuel Line
3	751-3141-14	1	/P	Oil Drain Hose
4	951-10517A	1	/P	Oil Drain
5	710-04683	1		TT Screw 3/8-16 x 1.00
6	710-0599	1	/P	Hex Wash S-Tapp Scr 1/4-20 x .50
7	710-1314A	1	/P	Scr. 5/16-18 x .75
8	721-0377A	1	S	Exhaust Gasket
9	725-0157	1	/P	Cable Tie
10	751-0564B	1	/P	Muffler Deflector
11	751-10353	1		Long Muffler Deflector
12	710-0227	1	/P	Hex AB Scr #8-18 x .50
13	728-04000	1		Pop Rivet
14	683-04549-0637	1	/P	Muffler Shield Assembly
15	712-0271	1	/P	Hex Sems Nut 1/4-20
16	751-11022	1		Muffler
17	710-1652	1	/P	Hex Washer Screw 1/4-20 x .625



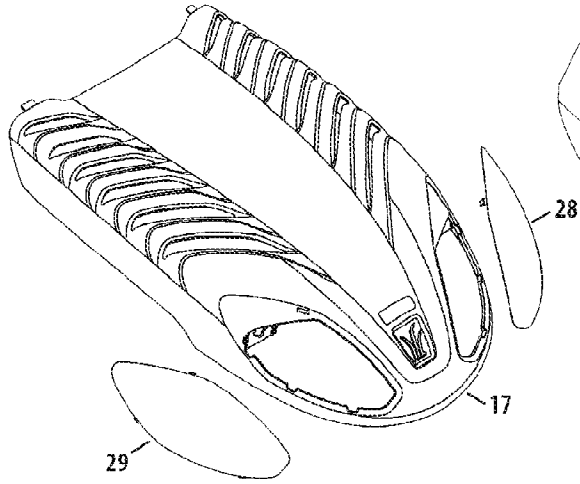
13AV90GS897 (2010)
Frame & PTO

Page 7 of 22

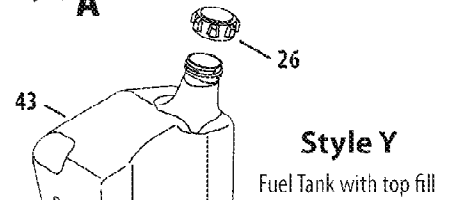
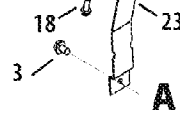
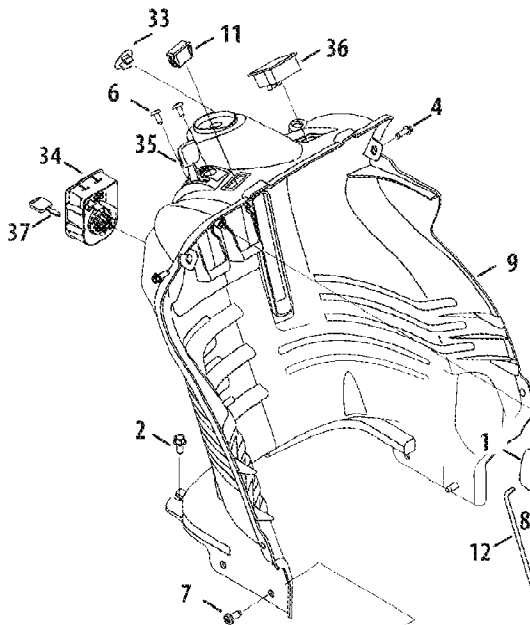
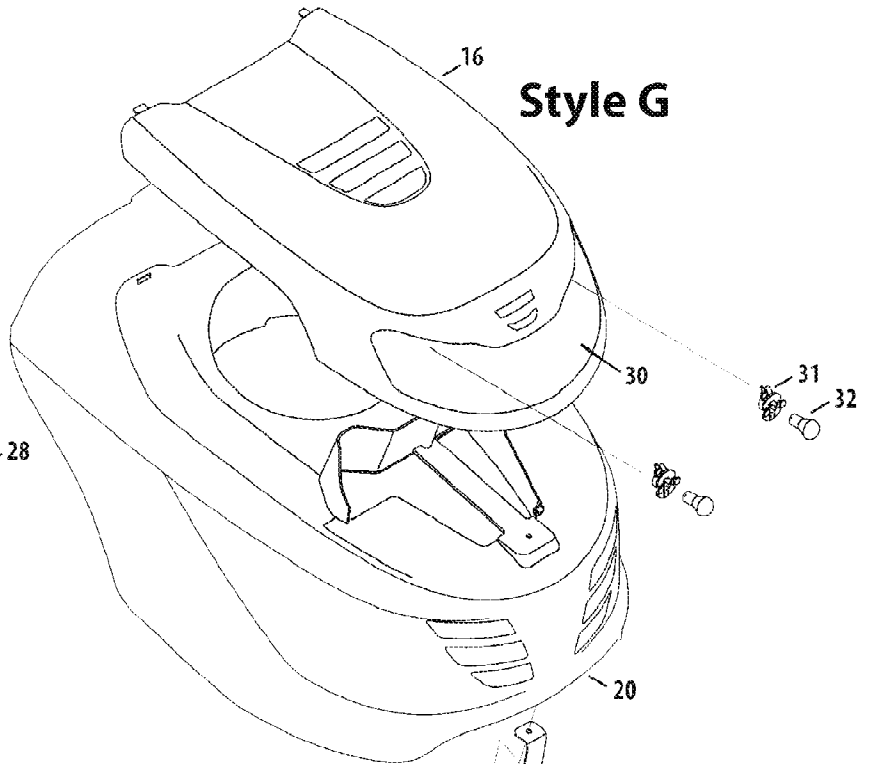
Ref #	Part Number	Qty	S/P/F	Description
1	647-04151	1		Handle Ass'y , PTO
2	710-04876	1		Hex Screw 7/16-20 x 3.5 Gr. 5
3	710-0599	1	/P	Hex Wash S-Tapp Scr 1/4-20 x .50
4	714-04040	1		Bow-Tie Cotter Pin
5	720-04049A	1	/P	Handle Grip 3/8
6	732-0932	1		Extension Spring .38 Dia. x 5.6
7	936-0171	1	/P	Lockwasher 7/16 ID
8	736-0322	1	/P	Flat Washer .450 x 1.25 x .164
9	925-1707D	1	/P	Battery 245 CCA (Dry)
10	738-04237A	1		Shoulder Screw #10-32 x .50
11	741-04119A	1	/P	Bearin, PTO
12	946-04618	1	/P	Deck Engagement Cable
13	756-04196A	1	/P	Engine Pulley 3.39 x 6.12 Dia.
14	725-04807	1		Switch, Plunger, snap mount
15	683-04469A-0606	1		Lower Frame Ass'y
16	710-04484	1		Hex Wash Hd. Tapp Scr. 5/16-18 x .75
17	710-3005	1	/P	Hex Bolt 3/8-16 x 1.25
18	712-04065	1	/P	Flange Lock-Nut 3/8-16 Gr. F Nylon
19	738-04058	1		Shoulder Spacer .38 x 1.0 x .70
20	747-04121A	1		Battery Retainer Rod
21	783-0349-0637	1		Battery Tray
22	783-06089-0606	1		Seat Frame Bracket
23	725-04232	1		Switch, 3-Pole, (NC-NO-NO)-Brake
24	710-04666	1		Hex Hd. Flg. Scr. 1/4-20 x .75 Gr. 5
25	712-0271	1	/P	Sems Hex Nut 1/4-20
26	725-04363	1		Switch, Interlock
27	710-0653	1	/P	Hex Wash HD Tapp Scr 1/4-20 x .375
28	712-04064	1	/P	Hex L-Flanged Nut 1/4-20 Gr. F Nylon
29	725-04439	1		Solenoid
30	747-05171	1		Belt Keeper Rod

13AV90GS897 (2010)
Hood & Grille

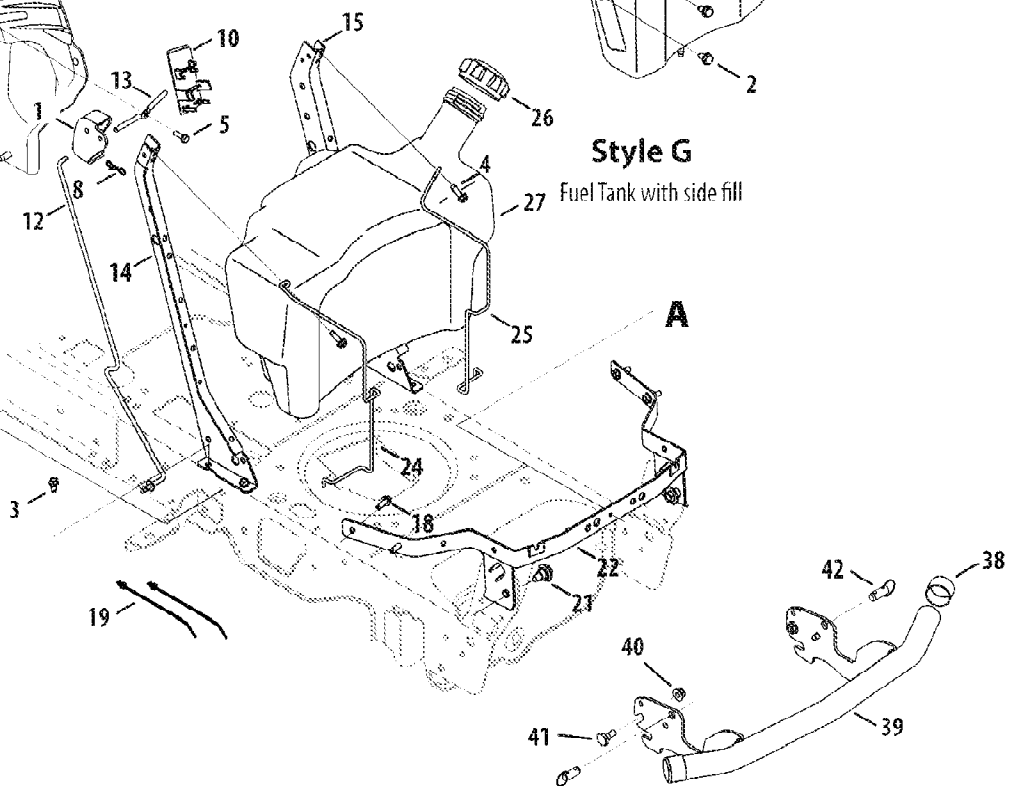
Style Y



Style G



Style G
Fuel Tank with side fill



13AV90GS897

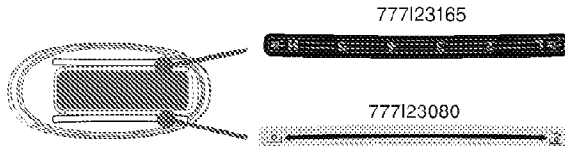
↑
Style G
Model Number Example

13AV90GS897 (2010)
Hood & Grille

Page 9 of 22

Ref #	Part Number	Qty	S/P/F	Description
1	631-04353P	1	/P	Dash Lever
2	710-04484	1		S-Tapp Scr 5/16-18 x .75
3	710-0599	1	/P	Hex Wash S-Tapp Scr 1/4-20 x .50
4	710-0642	1	/P	Hex TT Screw 1/4-20 x .75
5	710-0895	1		Hex Tapp Scr 1/4 x .75" Lg.
6	710-1017	1	/P	Torx Mach. AB-Tapp Scr. 1/4-14 x .625 Lg
7	710-1611B	1	/P	Screw 5/16-18 x .75
8	714-04040	1		Bow-Tie Cotter Pin
9	931-06495	1	/P	Dash Panel (Man. PTO w/fuel level window)
10	731-06643	1		Cruise Cover Y/G Style
11	731-07042	1		Light Switch Cap
12	747-05008B	1		Latch Control Rod
13	747-1155	1		Pivot Rod
14	783-04285F-0637	1	/P	RH Dash Support Plate
15	783-04323F-0637	1	/P	LH Dash Support Plate
16	931-04308	1	/P	Upper "G" Style Hood
17	N/A	1		Upper "Y" Style Hood Not Used in this application
18	710-05108	1		Screw, Bos, 1/4 Dia. x .75
19	926-0154	1	/P	Cable Tie
20	931-06538	1	/P	G Style Hood (w/side fill fuel tank)
21	738-04091A	1	/P	Shoulder Screw .43 x .29, 5/16-18
22	783-04606C-0637	1	/P	Hood Pivot Bracket
23	783-06117-0637	1	/P	Hood Support Bracket
24	747-05049	1		Tank Support Rod RH
25	747-05050	1		Tank Support Rod LH
26	751-0603A	1	/P	Cap-Fuel
27	951-10573	1	/P	Fuel Tank 2.75 Gal. (side fill)
28	N/A	1		Lens LH - Style "Y" Not Used in this application
29	N/A	1		Lens RH - Style "Y" Not Used in this application
30	931-06564	1	/P	Lens (Style G)
30	777X43285	1		Reflector Label
31	925-1649	1	/P	Socket
32	925-0963	1	/P	Miniature Lamp 12V Socket Type
33	731-1999	1		Choke Plug
34	925-04230B	1	/P	Key Switch Module
35	746-04364	1		Throttle/Choke Cont. Cable 25" Lg.
36	925-04036C	1	/P	Ammeter
37	925-1745A	1	/P	Ignition Key w/Plastic Cover
38	731-05674	1		Bumper Cap
39	683-04219B-0637	1	/P	Bumper Assembly
40	912-3000	1	/P	Hex Lock-Nut 3/8-16 Gr.B
41	738-0143	1	/P	Shoulder Scr. .498 x .340: 3/8-16
42	714-04061	1		Quick Pin 1/2" dia. x 0.50
43	N/A	1		Y Style Hood (w/top fill fuel tank) Not Used in this application
	925-04105	1	/P	Harness (Man PTO/RMC/Hr. Meter)

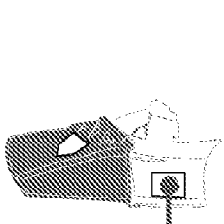
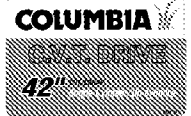
13AV90GS897 (2010)
Label Map



777122896
Centered On
Steering Wheel With
Only Half Of The Split
Backing Removed For
Easy Removal



777CD30142
Center On Operators Left
Side Of Fender Front



777122679
Top Of Engine In
Position Shown
On Correct Engine



(QTY 2) 777D14588
On Each Side



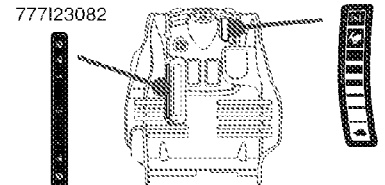
777D13382
Next To Deck Nozzle



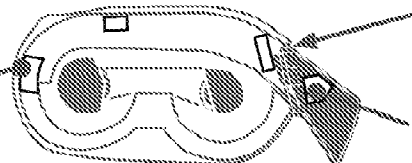
777S30296
Under Chute



777120882



777S32356



REF. Chute Label

13AV90GS897 (2010)
Label Map

Page 11 of 22

Ref #	Part Number	Qty	S/P/F	Description
777X43285	777X43285	1		LABEL-REFLECTOR G STYLE
777CD30086	777CD30086	1		LABEL-REAR FENDER COLUMBIA
777D14459	777D14459	1		LABEL-RDR/DK:YMACH/CAN:42/METRIC
777D13382	777D13382	1		LABEL-DECK WASH
777S32356	777S32356	1		LABEL-RIDER SAFETY
777S30296	777S30296	1		LABEL-RIDER DECK:
777I23082	777I23082	1		LABEL-RIDER NX-9 GAS GUAGE
777I20882	777I20882	1		LABEL-DASH THROTTL
777I22679	777I22679	1		LABEL-CHECK ENG OI
777CD30142	777CD30142	1		LABEL-CVT 42" FNDR
777I22896	777I22896	1		LABEL-RDR:CAP:SCR WHL:DGRM:CDN
777S33395	777S33395	1		LABEL-FLOORBRD SAFETY AUTO
777I23165	777I23165	1		LABEL-RIDER RT99 DECK HT POD
777I23080	777I23080	1		LABEL-RIDER PTO POD EXPORT
777D13468	777D13468	1		LABEL-RIDER HOOD LH COLUMBIA
777D13467	777D13467	1		LABEL-RIDER HOOD RH COLUMBIA
777D14588	777D14588	1		LABEL-RDR:COLUMBIA V90GS

13AV90GS897 (2010)
Mower Deck 42-Inch

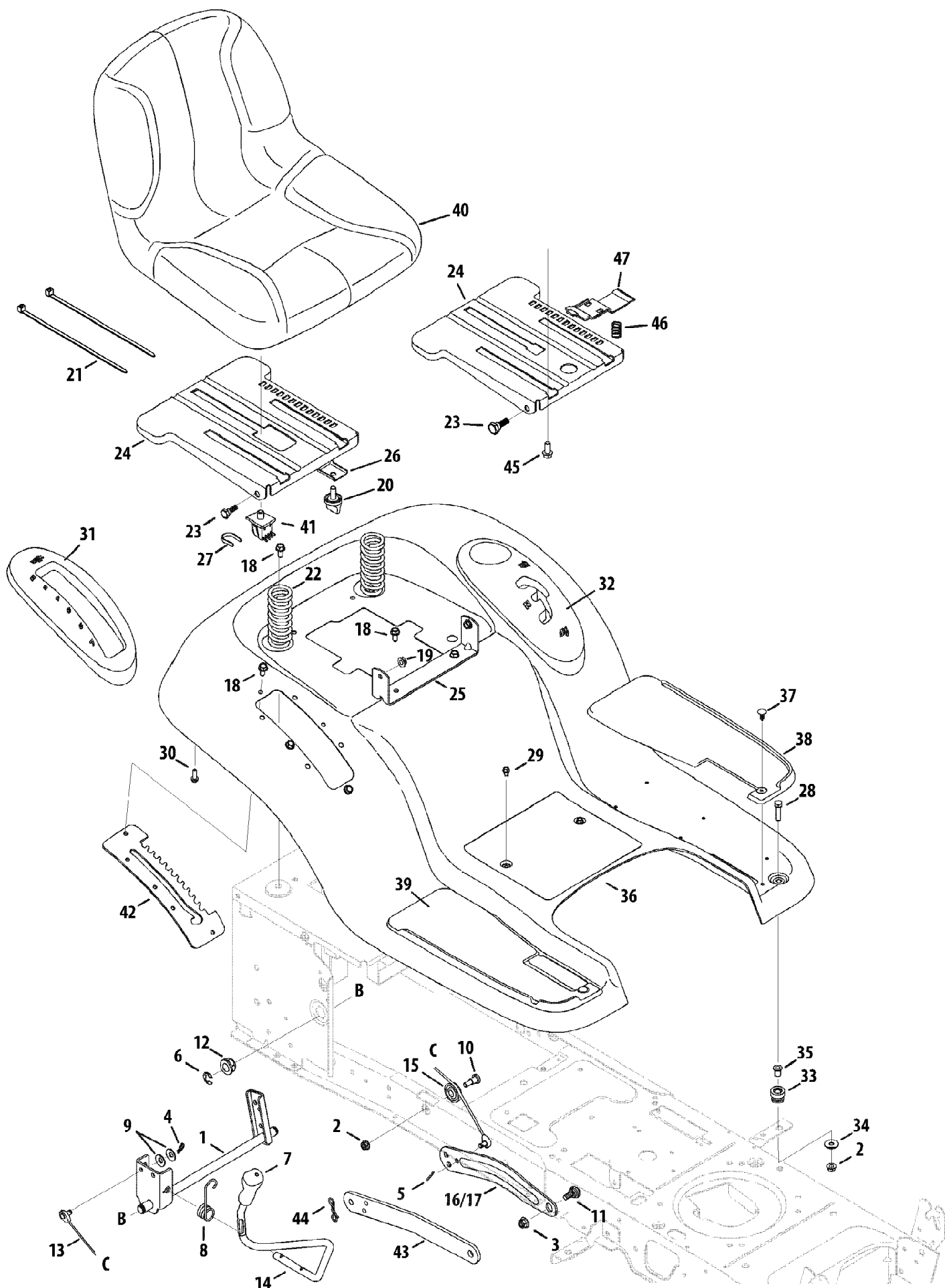
Page 13 of 22

Ref #	Part Number	Qty	S/P/F	Description
1	918-04822A	1	/P	Pulley Spindle Ass'y 6.3 dia.
2	683-0254B-0606	1		Deck Hanger Bracket Ass'y LH
3	983-04511	1	/P	Deck Brake Assembly
4	983-04525	1	/P	Deck Brake Assembly
5	983-04572-0606	1	/P	Deck Assembly, 42" w/ deck wheels
6	710-04484	1		S-Tapp Scr 5/16-18 x .75
7	710-0514	1	/P	Hex. Hd. Cap Scr. 3/8-16 x 1.0 Gr. 5
8	710-0528	1	/P	Hex Wash Tap Scr 5/16-18 x 1.25
9	710-0599	1	/P	Hex Wash S-Tapp Scr 1/4-20 x .50
10	710-0778	1	/P	Hex Wash HD Bolt 1/4-20 x 1.50" Lg.
11	710-0809	1		Hex Bolt 1/4-20 x 1.25
12	710-3144	1	/P	Hex. Hd. Cap Scr. 3/8-16 x 2.0 Gr. 5
13	710-3178	1	/P	Carriage Bolt 3/8-16 x .75 Gr. 1
14	712-0229	1		Push Nut, 3/8
15	712-04063	1	/P	Hex Flange Locknut 5/16-18 Gr. F, Nylon
16	712-04065	1	/P	Hex Flange Locknut 3/8-16 Gr. F Nylon
17	712-0417A	1	/P	Hex Flange Locknut 5/8-18
18	712-04243	1		Hex Locknut 1/2-13
19	912-0641	1	/P	Hex Nut M16-1.5 DIN 936
20	714-04043	1		Bow Tie Cotter Pin
21	783-06074A	1		Chute Bracket
22	917-04074	1	/P	Deck Gear Adjuster
23	932-0384	1	/P	Extension Spring .62 dia. x 6.12 Lg.
24	921-04041	1	/P	Water Nozzle Adapter
25	732-04727	1		Torsion Spring .992 ID x 1.17 OD
26	734-04155	1		Deck Wheel 5.0 Dia.
27	936-0119	1	/P	L-Wash 5/16 ID
28	936-0176	1	/P	Flat Washer .265 ID x .938 OD x .120
29	936-0344	1	/P	Flat Washer .385 ID x 1.0 OD x .030
30	736-0187	1	/P	Flat Washer .640 ID x 1.24 OD x .06
31	736-0225	1	/P	L-Washer Internal
32	736-0262	1	/P	Flat Washer .385 ID x .870 OD x .092
33	750-04936	1		Spacer .792 x 1.060 x 1.860
34	736-0362	1	/P	Flat Washer .330 ID x 1.25 OD x .06
35	738-04146	1		Screw Plug M16 x 1.50
36	738-04162A	1	/P	Shoulder Spacer .8540 x .200
37	738-04166	1		Shoulder Spacer .50 Dia x .1475
38	938-3056	1	/P	Shoulder Bolt .496 x 2.5, 3/8-16
39	942-04308	1	/P	Blade, 21.23", 2-in-1
40	747-04530	1		Belt Keeper Rod
41	747-04944B	1	/P	Front Lift Deck Rod
42	747-05105	1		Brake Control Rod
43	631-04349	1		Side Discharge Chute Assembly
44	737-04003D	1	/P	Deck Water Nozzle
45	750-0258	1	/P	Spacer .315 x .750 x .375" Lg.
46	750-0566A	1	/P	Spacer .260 x .375 x 1.030 Lg.
47	954-04060B	1	/P	V-Belt
48	756-04129B	1	/P	Idler Pulley w/Flange 4.25 Dia
49	711-04847A	1	S	Hinge Pin .3125 diam. x 7.96" Lg.
50	956-1227	1	/P	Deck Pulley 6.3 dia.
51	732-04372	1		Torsion Spring .44 ID x 2.0
52	783-05946	1		Idler Pivot Bracket
53	783-06243-0637	1		Deck Engagement Bracket

13AV90GS897 (2010)
Mower Deck 42-Inch

Page 14 of 22

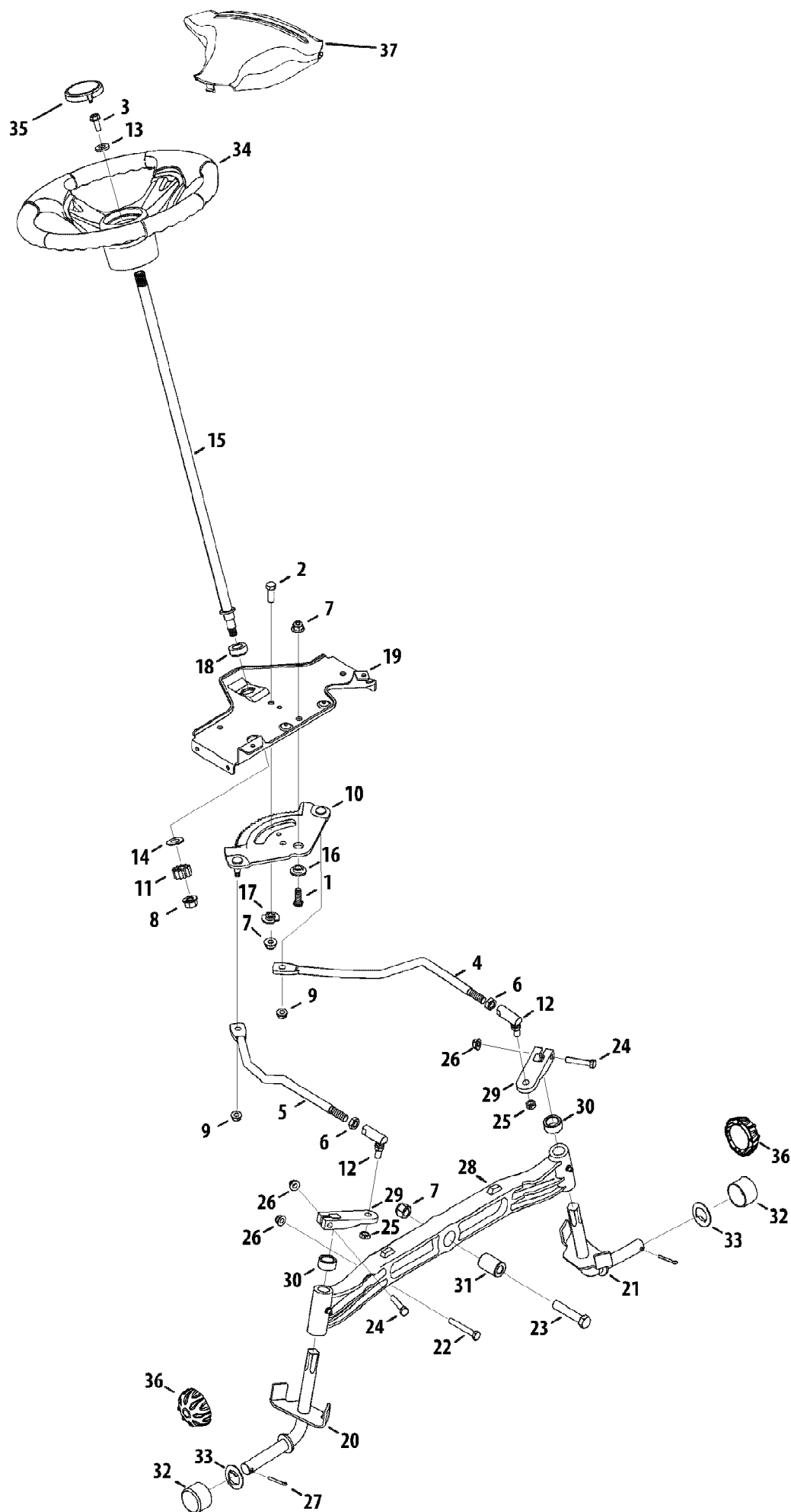
Ref #	Part Number	Qty	S/P/F	Description
54	783-06368-0637	1	S	Belt Guard Pulley Bracket
55	783-06424A-0637	1		Belt Cover
56	748-04069	1		Deck Lift Pivot Cup
57	783-06643-0637	1		Deck Support Stationary Idler Brkt.
58	712-0417A	1	/P	Hex Flange Locknut 5/8-18
59	936-0351	1	/P	Flat Washer .760 ID x 1.5 OD
60	738-1186A	1		Spindle Shaft 6.11" Lg.
61	941-0919	1	/P	Ball Bearing .787 ID x 1.85 OD x .551



13AV90GS897 (2010)
Seat & Fender

Page 16 of 22

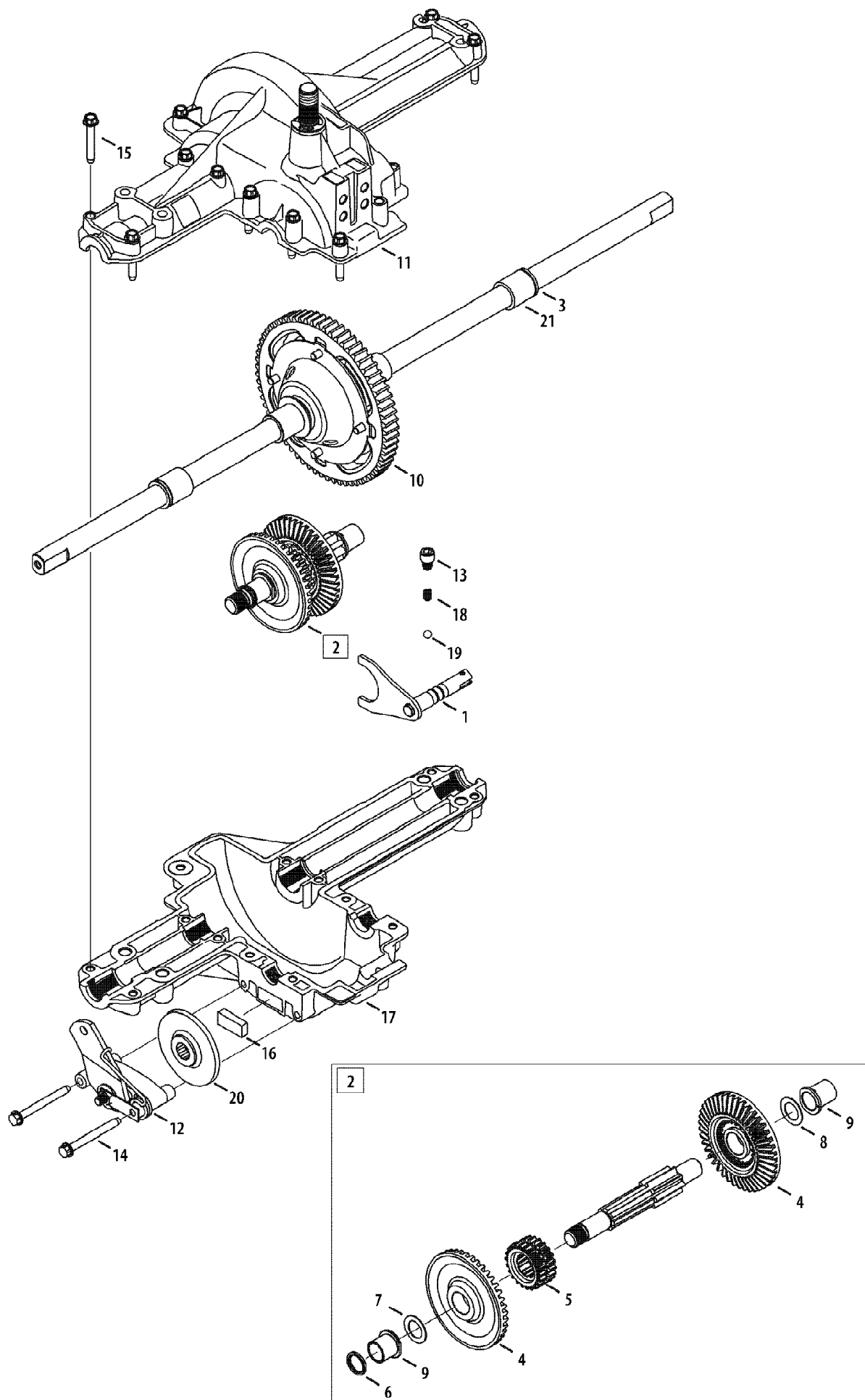
Ref #	Part Number	Qty	S/P/F	Description
1	683-04223-0637	1	/P	Lift Shaft Ass'y
2	712-04063	1	/P	Flange Locknut 5/16-18 Gr. F, Nylon
3	712-04065	1	/P	Flange Lock-Nut 3/8-16 Gr. F Nylon
4	914-0104	1	/P	Int. Cotter Pin .072 x 1.13" Lg.
5	714-04040	1		Bow-Tie Cotter Pin
6	716-0106A	1		E-ring .625 Shaft
7	720-0311	1		Handle Grip
8	732-0874	1	/P	Torsion Spring
9	736-0105	1	/P	Cupped Washer .375 ID x .870 OD x .063
10	738-0138A	1	/P	Shoulder Scr. .437 Dia x .47
11	938-0380	1	/P	Shoulder Screw .500 x .25 (42")
12	741-0225	1	S	Hex Flange Bearing .630 ID
13	746-0968	1		Lift Cable, 16.16
14	747-04962A	1	/P	Lift Handle
15	756-04331	1		Roller Pulley
16	783-04494C-0637	1	/P	Lift Arm RH
17	783-04711C-0637	1	/P	Lift Arm LH
18	710-04484	1		Hex Wash Hd. Tapp Scr. 5/16-18 x .75
19	712-3004A	1	/P	Hex Flange L-Nut 5/16-18
20	720-04061	1		Knob
21	725-0157	1	/P	Cable Tie
22	732-04561	1		Compression Spring 1.71 x 3.735 x .238
23	938-0296	1	/P	Shoulder Screw
24	783-06049-0606	1		Seat Mounting Bracket
25	783-06088-0606	1		Seat Pivot Bracket
26	783-06266-0637	1	/P	Seat Bracket, Knob adjustment
27	783-06448	1		Switch Retaining Clip
28	710-0528	1	/P	Hex Bolt 5/16-18 x 1.25
29	710-0599	1	/P	Hex Wash S-Tapp Scr 1/4-20 x .50
30	710-0895	1		Hex Tapp Scr 1/4 x .75" Lg.
31	731-06795	1		Lift Lever Cover
32	931-2104C	1	/P	Shift Lever Cover
33	735-0690	1		Grommet .4375 ID x .75
34	736-3078	1	/P	Flat Washer .344 ID x 1.0
35	750-3310	1		Flange Spacer .3125 x .4375 x .625
36	783-06259-0606	1		Fender
37	726-3046	1	/P	Foot Pad Clips (Not Shown)
38	735-04138	1		Foot Pad LH
39	735-04158	1		Foot Pad RH
40	757-04086	1		Seat, High Back
41	925-05013	1	/P	Seat Switch
42	783-06443-0637	1		Lift Bracket 6 positions
42	783-06039-0637	1		Lift Bracket 12 positions
43	783-05546A-0637	1	/P	Lift Link (46")
44	714-04040	1		Bow-Tie Cotter Pin (46")



13AV90GS897 (2010)
Steering Assembly

Page 18 of 22

Ref #	Part Number	Qty	S/P/F	Description
1	710-04095	1		Screw, 3/8-16 x 1.0
2	710-0514	1	/P	Hex Screw 3/16 x 1.00
3	710-0643	1	/P	Hex Screw 5/16-18 x 1.00 Special
4	711-04998	1		Link, Drag LH
5	711-04999	1		Link, Drag RH
6	912-0240	1	/P	Hex Jam Nut 7/16-20
7	712-04065	1	/P	Flange Lock-Nut 3/8-16 Gr. F Nylon
8	712-0459	1	/P	Flange Lock Nut, 7/16-20
9	712-3004A	1	/P	Hex Flange L-Nut 5/16-18
10	717-1550F	1	/P	Steering Gear, 11/90 Ratio
11	717-1554	1		Steering Pinion Gear
12	923-0448A	1	/P	Ball Joint, 7/16 - 20
13	936-3004	1	/P	Flat Washer .406 ID x .875 DE x .105
14	736-3084	1	/P	Fl. Washer .510 x 1.120 x .060
15	738-04263	1		Steering Shaft .625 OD x 24.25
15	738-04262	1		Steering Shaft .625 OD x 25.00
16	738-04363	1		Shoulder Spacer .385 x 1.25 x .3025
17	738-04364B	1		Spacer .38x 1.375 Special
18	741-04237B	1	/P	Hex Flange Bearing 5/8
19	783-06043-0637	1		Steering Support Bracket
20	638-04032-0637	1		Axle Ass'y RH .750 Dia. (42" Deck)
21	638-04033-0637	1		Axle Ass'y LH .750 Dia. (42" Deck)
22	710-0395	1	/P	Hex Bolt 5/16-18 x 2.25
23	710-0859	1	/P	Hex Cap Screw, 3/8-16 x 2.5
24	710-3180	1	/P	Hex Screw 5/16-18 x 1.75" Lg.
25	912-0214	1	/P	Hex Cent L-Nut 3/8-24
26	712-04063	1	/P	Flange Locknut 5/16-18 Gr. F, Nylon
27	714-0162	1	/P	Cotter Pin 5/32" Dia.
28	719-04413A	1		Pivot Bar (cast)
29	748-04065-0637	1	/P	Steering Block
30	748-04068	1		Spacer .710 ID x .125 OD x .56
31	750-05280	1		Spacer .385 x 1.0 x 1.5075
32	731-05674	1		Hub Cap
33	736-04228A	1		Flat Washer .350 x 1.559 x .062
34	631-04028	1		Steering Wheel, Standard Grip
35	731-04040	1		Steering Wheel Cap w/sprig logo
36	731-2290A	1	/P	Hub Cap
37	731-04065A	1		Steering Wheel Cover (w/sprigs)

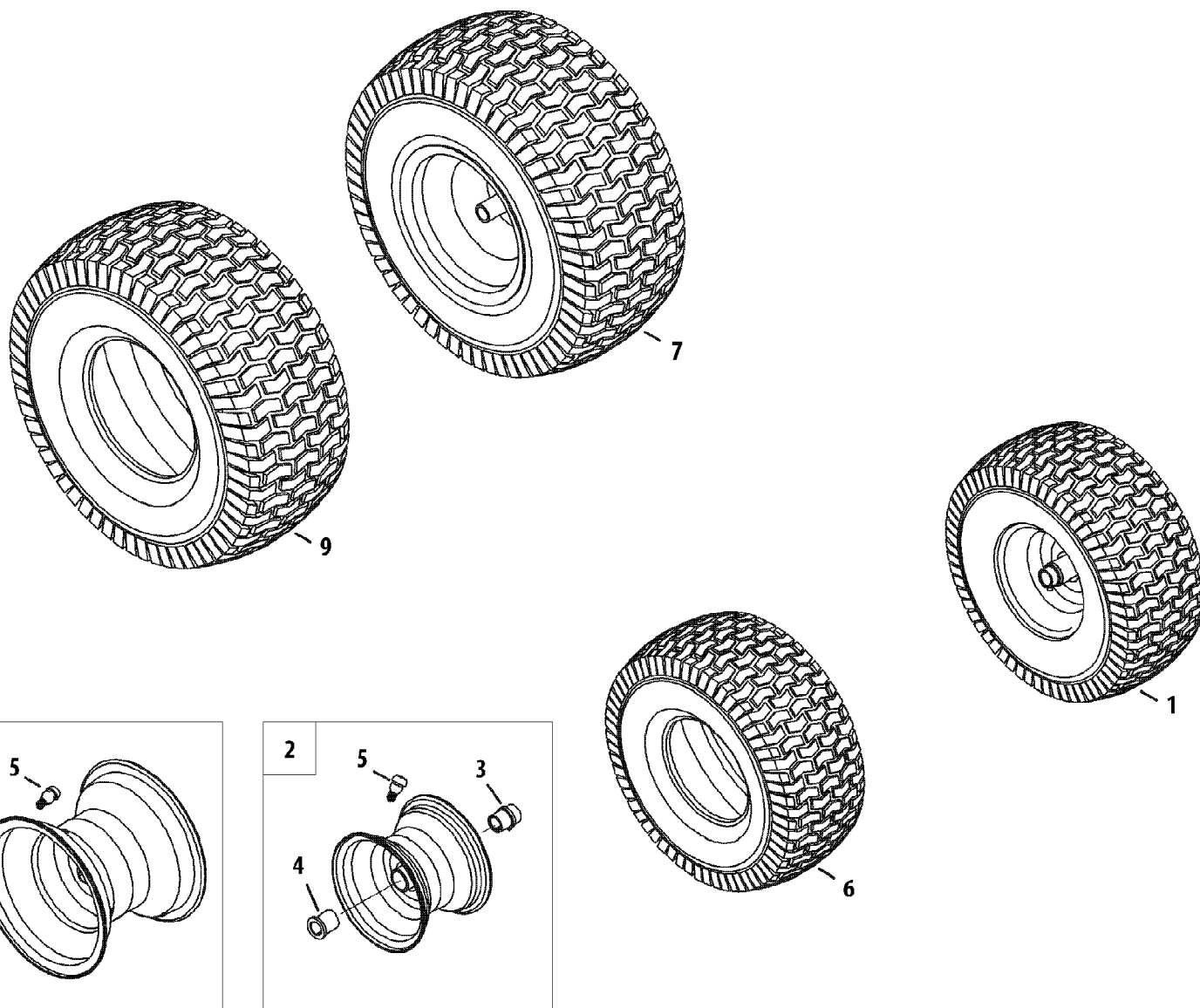


13AV90GS897 (2010)
Transmission

Page 20 of 22

Ref #	Part Number	Qty	S/P/F	Description
1	911-0011	1	/P	Detent Shaft Ass'y
2	911-04091	1	/P	Drive Shaft
3	921-0338	1	/P	Oil Seal .750 x 1.00 x .125
4	917-04479	1	S	Bevel Gear, 42 tooth spline
5	718-04381P	1	/P	Single Speed Clutch Collar
6	721-0213	1	/P	Seal .625 x .812 x .094
7	936-0336	1	/P	Flat Washer 5/8 ID x 1.0 OD x .030 as required
7	936-0337	1	/P	Flat Washer 5/8 ID x 1.0 OD x 0.040 as required
7	936-0349	1	/P	Flat Washer 5/8 ID x 1.0 x .020 as required
7	736-0494	1		Thrust Wash. 5/8" ID x 1.0" OD x .035 as required
7	936-0495	1	/P	Thrust Wash. 5/8" ID x 1.0" OD x .025 as required
8	941-0336	1	/P	Flange Bearing 5/8 x 3/4
9	941-0337	1	/P	Flange Bearing 5/8 x 15/16
10	918-04567A	1	S	Differential Assembly
11	919-04187	1	/P	Upper Housing
12	961-0001	1	/P	Brake Assembly
13	710-04731	1		Self-Tap Scr. 5/16-18 x .375
14	710-1206	1	/P	Self-Tap Scr. 1/4-20 x 2.375
15	710-1325	1	/P	Self-Tap Scr. 1/4-20 x 1.625
16	917-0678	1	/P	Brake Puck
17	919-04329	1	/P	Lower Housing
18	932-0863	1	/P	Compression Spring
19	741-0862	1	/P	Ball Detent .250 Dia.
20	761-0202	1		Brake Disc
21	941-0340	1	/P	Sleeve Bearing 3/4 ID x 1.0
	737-0300A	1	/P	Grease, Benalene Not shown

13AV90GS897 (2010)
Wheels



13AV90GS897 (2010)
Wheels

Page 22 of 22

Ref #	Part Number	Qty	S/P/F	Description
1	634-04406-0911	1		Wheel Ass'y Complete, 15 x 6 x 6
2	634-04405-0662	1		Rim Ass'y 6.0 x 4.5 (w/plastic brg)
3	741-0990B	1	/P	Flange Bearing .760 ID w/fitting
4	741-0516B	1	/P	Flange Bearing .760 x 1.0 x 1.20
5	934-0255	1	/P	Air Valve
6	734-1731-0901	1	/P	Tire 15 x 6 x 6 Square Shoulder
7	634-0104-0911	1	/P	Wheel Ass'y Complete, 20 x 8 x 8
8	634-04369-0662	1		Rim Ass'y, 8.0 x 7.0 x .75
9	734-1730-0901	1	/P	Tire 20 x 8 x 8 Square Shoulder