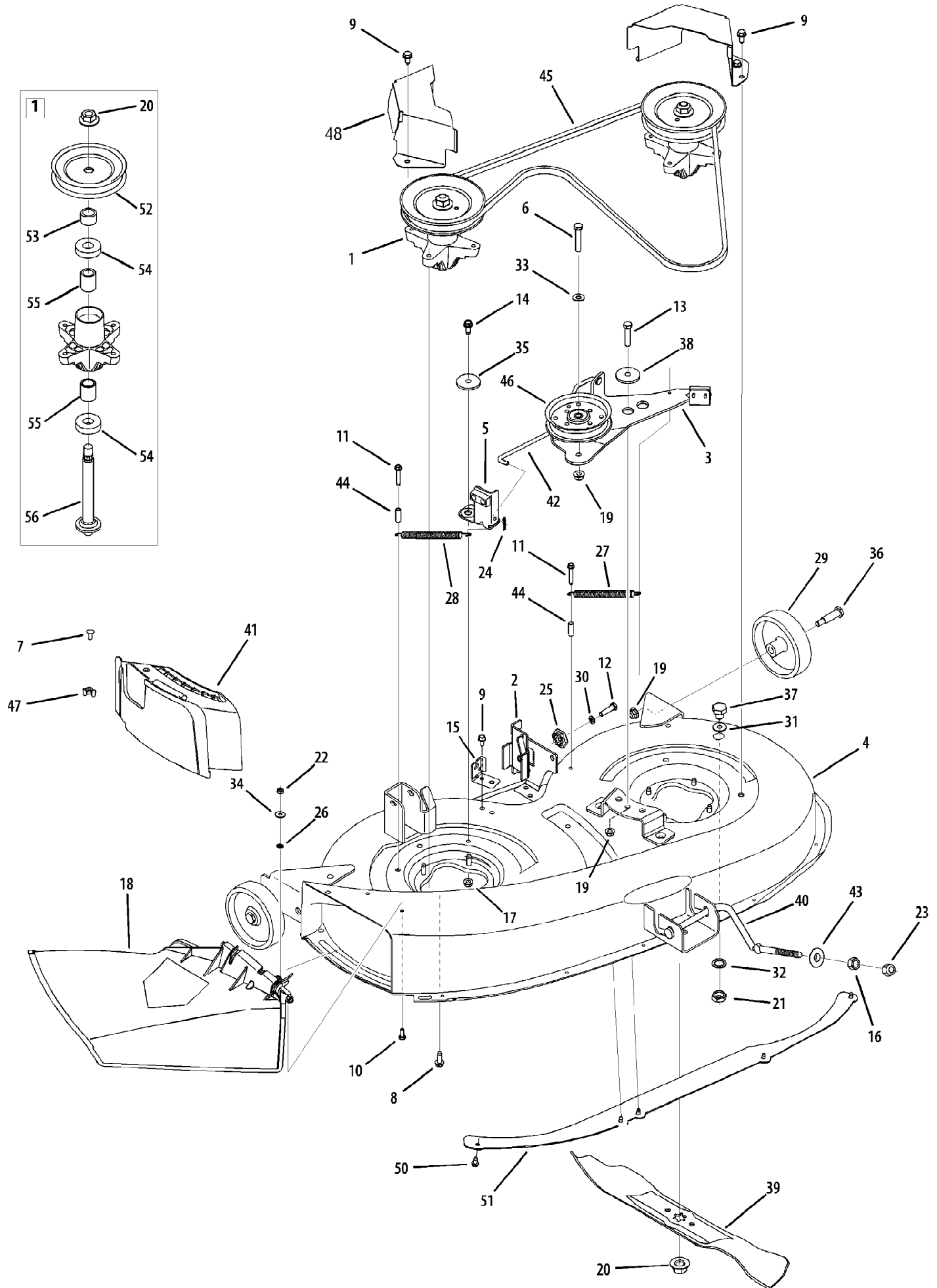


13AV76GF897 (2009)
Deck 38 Inch



13AV76GF897 (2009)
Deck 38 Inch

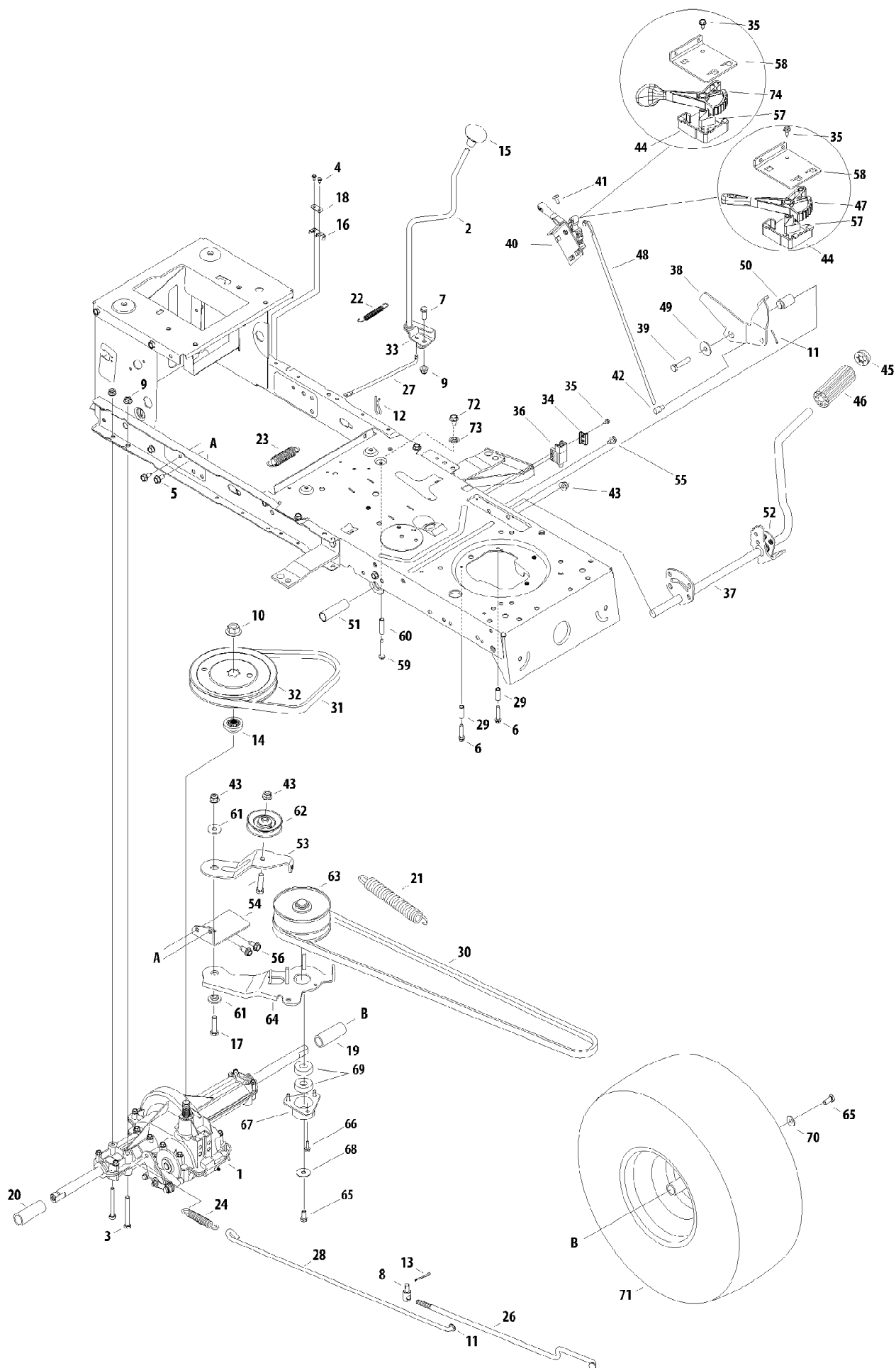
Page 2 of 19

Ref #	Part Number	Qty	S/P/F	Description
1	918-04474	1	S	Pulley Spindle Ass'y 5.75 dia.
2	683-04228-0637	1		Deck Hanger Brkt. Ass'y
3	683-04138B-0637	1	/P	Deck Brake Assembly
4	983-04264-0606	1	/P	Deck Shell, 38" (w/o wheel brackets)
5	983-04167	1	/P	Deck Brake Assembly
6	710-0347	1	/P	Hex Screw 3/8-16 x 1.75
7	710-0134	1	/P	Carriage Bolt 1/4-20 x .62 If Equipped
8	710-04484	1		S-Tapp Scr 5/16-18 x .75
9	710-0604A	1	/P	Hex Scr 5/16-18 x .625
10	710-3015	1	/P	Hex Bolt 1/4-20 x 1.00
11	710-0778	1	/P	Hex Wash HD Bolt 1/4-20 x 1.50" Lg.
12	710-0528	1	/P	Hex Wash Tap Scr 5/16-18 x 1.25
13	710-3005	1	/P	Hex Bolt 3/8-16 x 1.25
14	710-3008	1	/P	Hex Bolt 5/16-18 x .75" Lg. Gr. 5
15	783-04740-0637	1		Deck Engagement Cable Bracket
16	912-0206	1	/P	Hex Nut 1/2-13
17	712-04063	1	/P	Hex Flange Locknut 5/16-18 Gr. F, Nylon
18	631-0216A	1	/P	Side Discharge Chute Assembly
19	712-04065	1	/P	Hex Flange Locknut 3/8-16 Gr. F Nylon
20	712-0417A	1	/P	Hex Flange Locknut 5/8-18
21	912-0641	1	/P	Hex Nut M16-1.5 DIN 936 If Equipped
22	712-3006	1	/P	Hex Nut 1/4-20 Gr. 5
23	712-3083	1	/P	Hex Nut, 1/2-13
24	914-0104	1	/P	Int. Cotter Pin .072 x 1.13" Lg.
25	917-04074	1	/P	Deck Adjustment Gear
26	726-0233	1	/P	Bolt Retainer 1/4" x .50" OD
27	732-04280B	1	/P	Extension Spring .75 dia. x 6.37 Lg.
28	732-04287	1		Extension Spring .50 dia x 6.37
29	734-0973	1	/P	Wheel Ass'y - Deck 5" x 1.38" If Equipped
30	936-0119	1	/P	L-Wash 5/16 ID If Equipped
31	736-0187	1	/P	Flat Washer .640 ID x 1.24 OD x .06 If Equipped
32	736-0225	1	/P	L-Washer Internal If Equipped
33	936-0300	1	/P	Flat Washer
34	736-0270	1	/P	Cupped Washer .265 ID x .75 OD x .062
35	738-04166	1		Shoulder Spacer
36	938-0373	1	/P	Shoulder Bolt .498 Dia x 1.53 x 3/8-16 If Equipped
37	738-04146	1		Screw Plug M16 x 1.50 If Equipped
38	738-04162A	1	/P	Shoulder Spacer .8540 x .200
39	942-0610A	1	/P	Blade 19.38" Lg.
40	747-04322	1		Deck Rod, Front Adjustable
41	731-2363	1	/P	Mulching Plug If Equipped
42	747-04381	1	/P	Brake Control Rod
43	748-04069	1		Deck Lift Pivot Cup
44	750-0566A	1	/P	Spacer .260 x .375 x 1.030 Lg.
45	954-04062	1	/P	V-Belt
46	756-04129	1	S	Idler Pulley w/Flange 4.25 Dia
47	712-3087	1	/P	Wing Nut 1/4-20 Thd. If Equipped
48	783-04602A-0637	1	/P	Belt Cover 5.66 dia.
50	710-0599	1	/P	Screw, 1/4-20 x .50 If Equipped
51	783-1297-0637	1	/P	38" Deck Skin If Equipped

13AV76GF897 (2009)
Deck 38 Inch

Page 3 of 19

Ref #	Part Number	Qty	S/P/F	Description
52	756-1188	1		Deck Pulley
53	750-04739	1		Spacer, .820 x 1.150 x .480
54	941-0919	1	/P	Ball Bearing .787 ID x 1.85 OD x .551
55	750-1000	1		Spacer .80 x 1.10 x 1.322
56	938-04241	1	/P	Spindle Shaft 5.5



13AV76GF897 (2009)
Drive Assembly

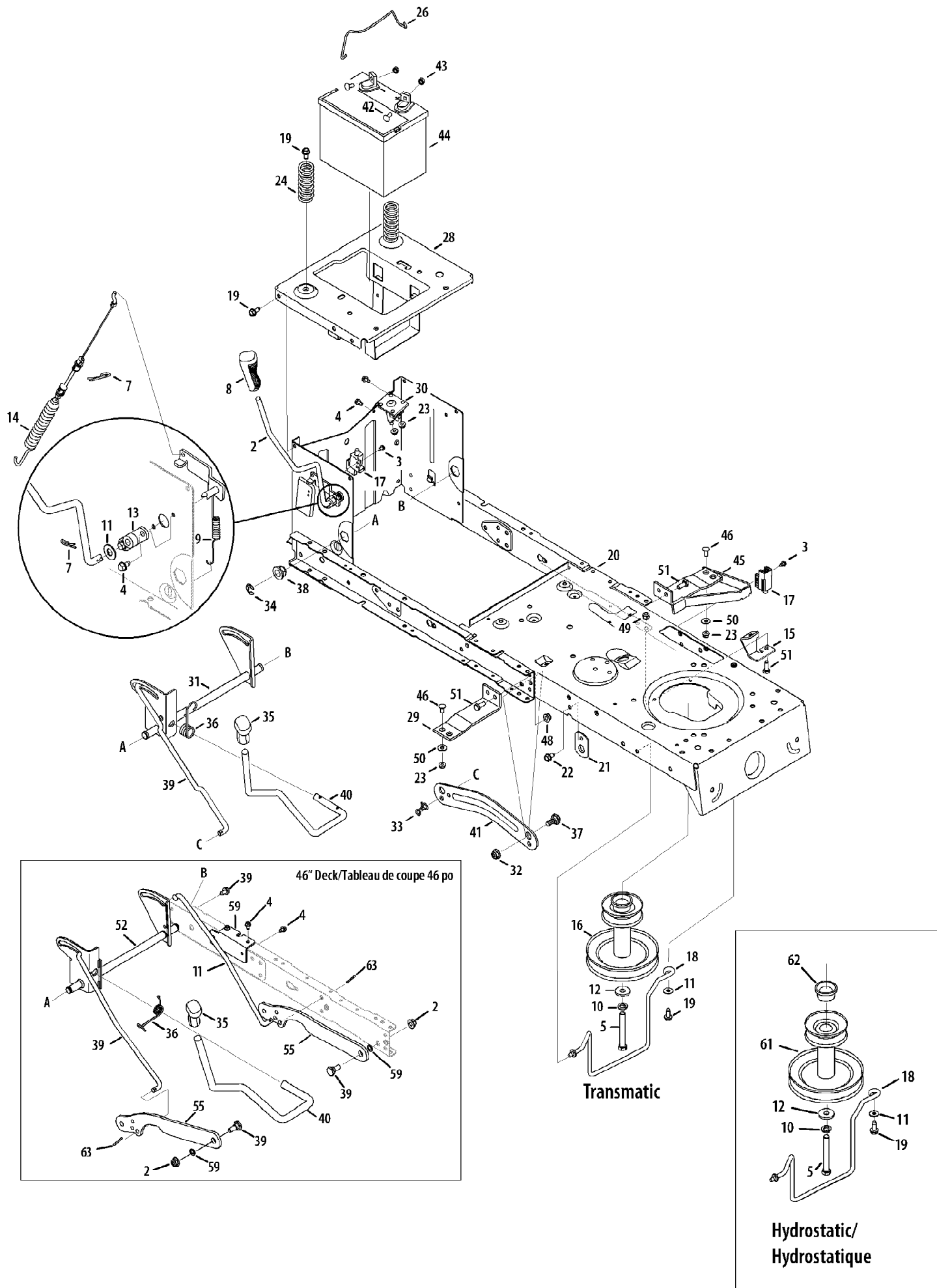
Page 5 of 19

Ref #	Part Number	Qty	S/P/F	Description
1	918-04566	1	/P	Transmission Ass'y
2	647-04035	1		Shift Lever Ass'y
3	710-0176	1	/P	Hex Scr 5/16-18 x 2.75
4	710-0227	1	/P	Hex Wash HD AB S-Tapp Scr #8-.50
5	710-04484	1		S-Tapp Scr 5/16-18 x .75
6	710-0809	1		Hex Bolt 1/4-20 x 1.25
7	710-3008	1	/P	Hex Bolt 5/16-18 x .75" Lg. Gr. 5
8	911-04075A	1	/P	Ferrule
9	712-04063	1	/P	Flange Locknut 5/16-18 Gr. F, Ny Ion
10	712-0700	1	/P	Flange Nut
11	914-0111	1	/P	Cotter Pin 3/32 dia x 1.00 Lg.
12	914-0209	1	/P	Cotter Pin
13	714-04040	1		Bow Tie Cot ter Pin
14	718-04407	1		Pulley Hub 5/8" Spline
15	720-04028	1		Shift Knob
16	725-1644	1		Short Spring Switch
17	710-0347	1	/P	Screw, 3/8-16 x 1.75
18	926-0320	1	/P	Insulator Nut Plate
19	731-04602	1		Sleeve, .758 x .821 x 3.3125
20	731-04604	1		Sleeve, .758 x .821 x 2.4375
21	732-04076A	1	/P	Spring, Exten sion, 1.15 OD x 7.90
22	732-04488	1		Spring, Exten sion
23	732-04306	1		Spring, Exten sion, .80 OD x 3.28
24	732-0716D	1	/P	Ext. Spring .59 OD x 4.00 Lg.
25	736-0264	1	S	Flat Washer .344 ID x .625 OD x .063
26	747-04265	1		Control Rod, Variable Speed
27	747-04277	1		Shift Rod
28	747-04733A	1		Brake Rod
29	750-0566A	1	/P	Spacer .260 x .375 x 1.030 Lg.
30	954-04001A	1	/P	Belt
31	954-0241A	1	/P	Belt
32	956-04002	1	/P	Pulley, V-Type, 7.25 dia.
33	783-04595A	1		Shift Bracket, Adjustable
34	17962	1		Switch Plate
35	910-0224	1	/P	Hex AB-Tap Scr #10 X .50" Lg.
36	725-04363	1		Interlock Switch
37	647-04034C-0637	1		Drive Pedal Assembly
38	783-04862	1	/P	Latch Ass'y, Engage ment (RMC)
38	783-04903	1		Latch Ass'y, Engage ment (w/o RMC)
39	710-3114	1		Hex Screw 3/8-16 x 1.875 Gr. 5
40	983-04225	1	/P	6 Speed Shift Control Ass'y
40	983-04216	1	/P	7 Speed Shift Control Ass'y
40	983-04274	1	/P	7 Speed Shift Control Ass'y (Troy Bilt)
41	710-04483	1		Screw, 1/4-20 x .5
42	711-0736	1	/P	Adjustment ferrule
43	712-04065	1	/P	Flange Lock-Nut 3/8-16 Gr. F Ny Ion
44	731-05361	1		Control Cover
45	726-0214	1	/P	Push Cap 5/8" Dia Rod
46	735-0239	1	/P	Foot Pad
47	983-04225	1	/P	Shift Lever - 6 Speed
47	983-04216	1	/P	Shift Lever - 7 Speed
48	747-04430	1		Speed Selector Control Rod
49	938-0102	1	/P	Flat Washer 1.11 ID x 1.25 OD x .10

13AV76GF897 (2009)
Drive Assembly

Page 6 of 19

Ref #	Part Number	Qty	S/P/F	Description
50	750-04465	1		Flange Spacer .390 x .671 x 1.095
51	750-0802	1		Spacer .630 ID
52	783-04536B-0637	1	/P	Pedal Support Bracket
53	753-05147	1	/P	Idler Bracket
54	683-04176A	1	/P	Transmission Torque Bracket Mounts in top holes on 38/42" deck units.
55	710-0604A	1	/P	Self-tap ping Screw 5/16-18 x .625
56	710-1260A	1	/P	Hex Wash. Hd. Scr. 5/16-18 x .75 Lg.
57	732-0627A	1		Shift Lever Spring
58	783-04830-0637	1		Control Bracket
59	710-1325	1	/P	Screw, 1/4-20 x 1.625
60	750-04456	1		Spacer, .260 x .372 x 1.420
61	938-0347	1	/P	Shoulder Spacer
62	756-04325	1	/P	Flat Idler
63	956-04015	1	S	Variable Speed Pulley Ass'y 4.75 OD
64	753-05147	1	/P	Variable Speed Bracket Ass'y
65	710-0627	1	/P	Hex L-Screw 5/16-24 x 0.75 Gr. 5
66	710-0778	1	/P	Hex Scrw 1/4-20 x 1.5
67	718-04261	1		Bearing Cup
68	736-0362	1	/P	Flat Washer .22 ID x 1.25
69	941-0124	1	S	Ball Bearing 17 x 40 x 12
70	736-0242	1	/P	Cupped Washer .345 ID x .88 OD x .060
71	634-0104-0911	1	/P	Wheel Assembly Complete, 20 x 8 x 8
71	734-1730-0901	1	/P	Tire Only, 20 x 8 x 8, Square Shoul der
71	634-04369-0662	1		Rim Only
72	710-0599	1	/P	Hex Wash S-Tapp Scr 1/4-20 x .50
73	936-0222	1	/P	Lockwasher 1/4"
74	N/A	1		Shift Lever (spoon style) - 7 Speed



13AV76GF897 (2009)
Frame & Deck Lift

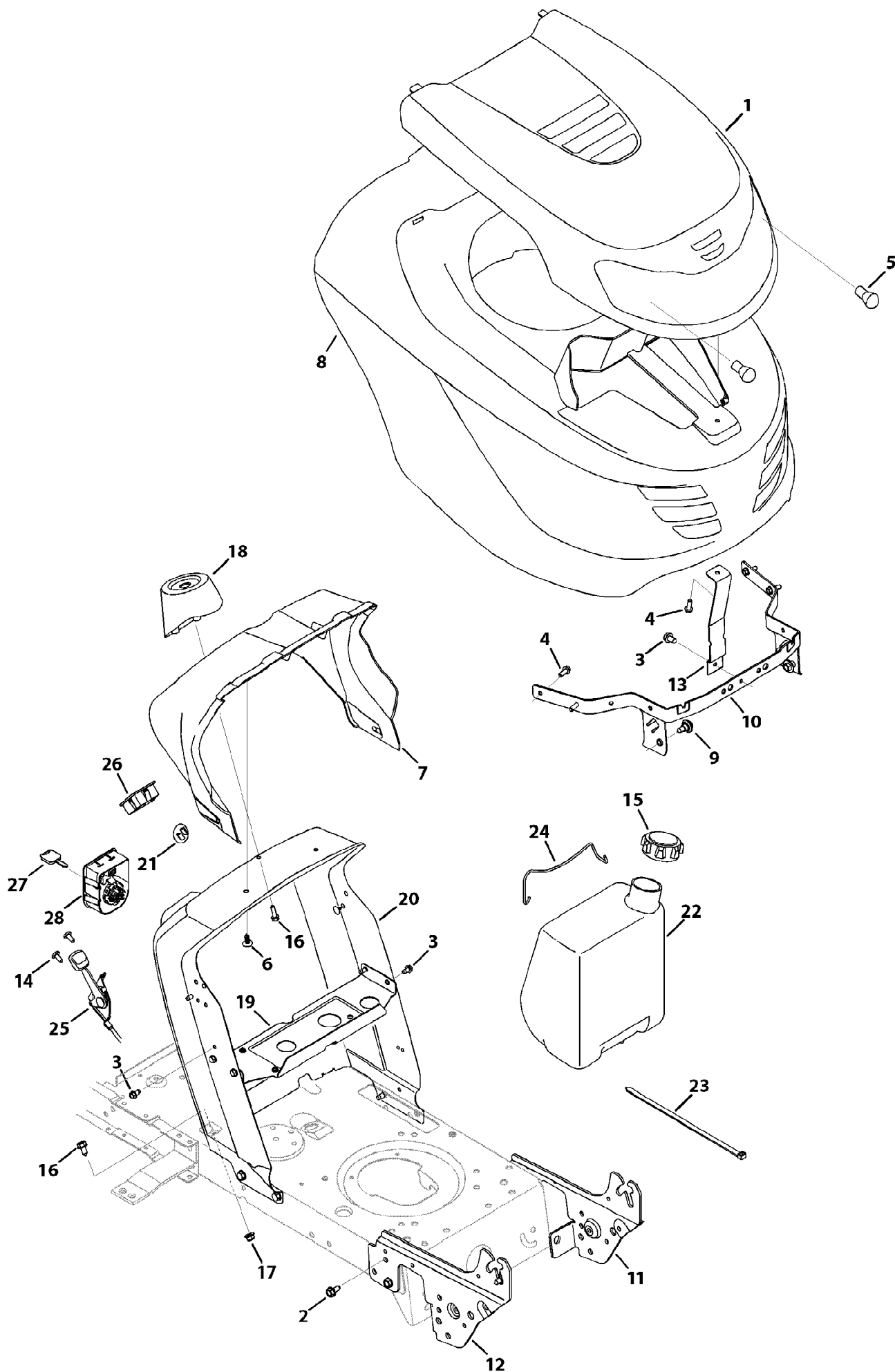
Page 8 of 19

Ref #	Part Number	Qty	S/P/F	Description
1	783-0678C-0637	1	/P	Deck Lift Link
2	647-04096-0637	1	/P	PTO Handle
3	738-04237A	1		Shoulder Scr #10-16 x .50" Lg.
4	710-0599	1	/P	Hex Wash S-Tapp Scr 1/4-20 x .50
5	710-04608	1		Hex Hd. Cap Scr. 7/16-20 x 3.25 Gr. 5
6	783-05389-0637	1	/P	Frame Brace Bracket
7	714-04040	1		Bow Tie Cotter Pin
8	720-04049A	1	/P	Handle Grip 3/8
9	732-04276A	1	/P	Extension Spring
10	936-0171	1	/P	Lockwasher 7/16 ID
11	936-0300	1	/P	Flat Washer .385 ID x .87 OD x .06
12	736-0322	1	/P	Flat Washer .450 x 1.25 x .164
13	741-04119	1	S	PTO Bearing
14	746-04173B	1	S	Deck Engagement Cable
15	783-04753-0637	1		Frame Support Bracket
16	756-04196A	1	/P	Engine Pulley 3.39 x 6.12 dia.
17	725-04363	1		Interlock Switch
18	747-04332A	1	/P	Belt Keeper Rod (38" Deck)
19	710-04484	1		S-Tapp Scr 5/16-18 x .75
20	683-04450-0606	1		Frame
21	783-04536B-0637	1	/P	Pedal Support Bracket
22	710-0604A	1	/P	Hex Wash HD TT Scr 5/16-18 x .625
23	712-04064	1	/P	Hex L-Flanged Nut 1/4-20 Gr. F, Nylon
24	732-04035	1		Compression Spring 1.28 x 3.125
25	783-04462A	1		Lift Bracket
26	683-04448-0637	1	/P	Battery Hold Down Rod
27	783-04869A-0637	1	/P	Battery Bracket
28	783-04548C-0637	1	/P	Seat Frame Bracket
29	783-04637-0637	1	/P	Running Board Bracket
30	725-04439	1		Solenoid
31	683-04155A-0637	1	/P	Lift Shaft (38" & 42")
32	712-04065	1	/P	Flange Lock-Nut 3/8-16 Gr. F, Nylon
33	714-04043	1		Cotter Pin .08 x 1.56 Intern - R.H.
33	914-0470	1	/P	Cotter Pin .08 x 1.25 Intern - LH
34	716-0106A	1		"E" Ring .625 Dia.
35	720-0311	1		Handle Grip
36	732-04225	1		Torsion Spring (38" & 42")
37	738-04130	1		Shoulder Screw .625 x .175, 3/8-16
38	941-0225	1	/P	Hex Flange Bearing .630 ID
39	747-04393	1		Lift Rod
40	747-04282	1		Deck Lift Handle(38" & 42")
41	783-04494B-0637	1	S	Deck Lift Arm RH
41	783-04711B-0637	1	S	Deck Lift Arm LH
42	710-04666	1		Hex Flg. Scr. 1/4-20 x .75 Gr. 5
43	712-0271	1	/P	Sems Hex Nut 1/4-20
44	925-1707D	1	/P	Battery 245 CCA (Dry)
45	683-04195-0637	1		Support Bracket Ass'y
46	710-0134	1	/P	Carriage Bolt 1/4-20 x .62
47	710-3025	1	/P	Screw, 5/16-18 x .625
48	712-04063	1	/P	Hex L-Flg Nut 5/16-18 Gr. F, Nylon
49	912-0429	1	/P	Hex L-Nut 5/16-18
50	736-0173	1	/P	Flat Washer .28 x .74 x .063
51	710-3008	1	/P	Screw 5/16-18 x .75

13AV76GF897 (2009)
Frame & Deck Lift

Page 9 of 19

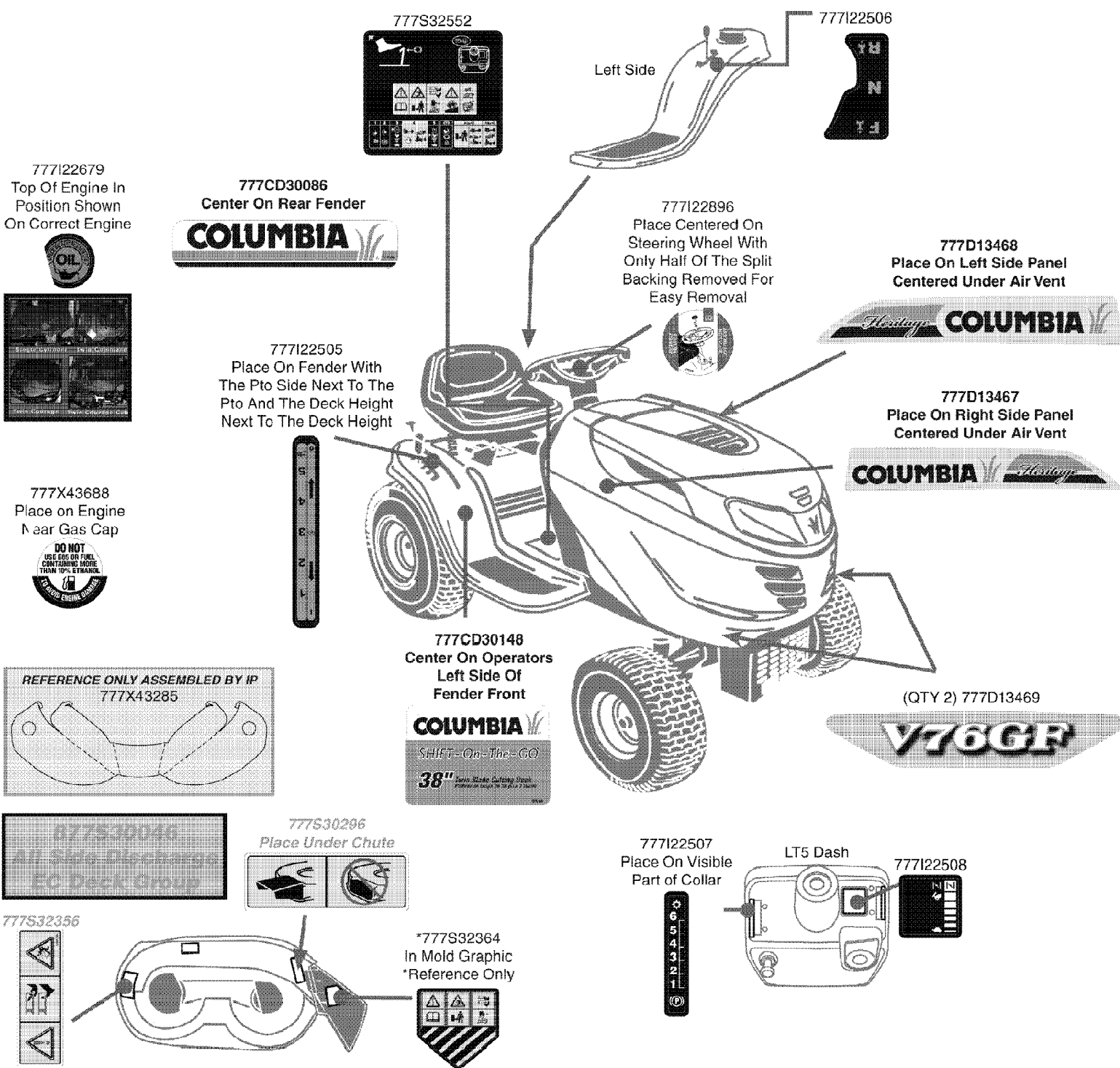
Ref #	Part Number	Qty	S/P/F	Description
52	683-04334-0637	1	/P	Lift Shaft (46" only)
53	914-0115	1	/P	Cotter Pin 1/8" x 1.0
54	716-0106A	1		E Ring
55	720-0298	1		Grip
56	732-04438	1		Torsion Spring (46")
57	936-0140	1	/P	Flat Washer .395 x .62 x .063
58	747-04653	1		Deck Lift Handle (46")
59	783-05389-0637	1	/P	Brace Bracket
60	783-0678C-0637	1	/P	Deck Lift Arm (46")



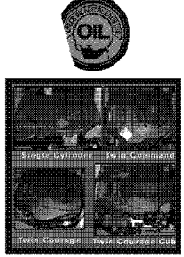
13AV76GF897 (2009)
Hood Style G

Page 11 of 19

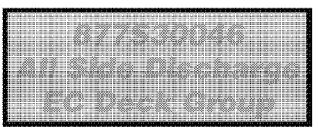
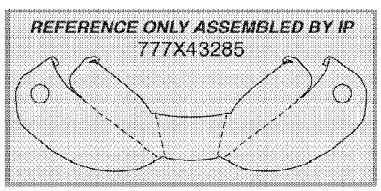
Ref #	Part Number	Qty	S/P/F	Description
1	931-04308	1	/P	Grille Style G
1	931-06564	1	/P	Lens Style G Not shown
1	777X43285	1		Reflective Label Not shown
2	710-04484	1		S-Tapp Scr 5/16-18 x .75
3	710-0599	1	/P	Hex Wash S-Tapp Scr 1/4-20 x .50
4	710-0895	1		Hex Tapp Scr 1/4 x .75" Lg.
5	925-0963	1	/P	Miniature Lamp 12V Socket Type
6	726-3046	1	/P	Ratchet Clip
7	931-06470	1	/P	Dash Collar
8	931-06537	1	/P	Hood Style G
9	738-04091A	1	/P	Shoulder Screw 5/16-18, .43 x .29
10	783-04606C-0637	1	/P	Pivot Hood Bracket
11	783-05327B-0637	1	/P	LH Pivot Bracket
12	783-05328A-0637	1	/P	RH Pivot Bracket
13	783-06117-0637	1	/P	Hood Support Bracket
14	710-04483	1		Hex Wash Hd Scr. 1/4-20 x .500
15	751-0603A	1	/P	Cap-Fuel
16	710-0895	1		Hex Tapp Scr 1/4 x .75" Lg.
17	712-04063	1	/P	Flange Locknut 5/16-18 Gr. F, Nylon
18	731-04945	1		Steering Support
19	783-04584A-0637	1	/P	Gas Tank Support Bracket
20	983-04889A-0637	1	/P	Dash Assembly
21	731-05265	1		Choke Plug
22	751-0555B	1	/P	Fuel Tank 1.5 gal.
23	726-0230	1	/P	Cable Tie
24	683-04448-0637	1	/P	Battery Rod
25	746-04364	1		Choke/Throttle Cable
26	925-04156	1	/P	Indicator Monitor
27	925-1745A	1	/P	Key
28	925-04227B	1	/P	Key Switch Module
29	683-04219B-0637	1	/P	Bumper Ass'y
30	738-0143	1	/P	Shoulder Scr. .498 x .340: 3/8-16
31	912-3000	1	/P	Hex L-Nut 3/8-16 Gr. B
32	731-05674	1		Cap



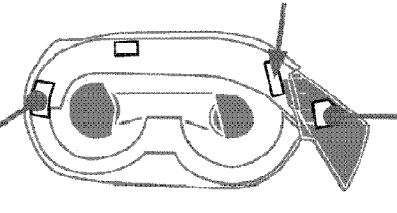
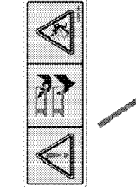
777I22679
Top Of Engine In
Position Shown
On Correct Engine



777X43688
Place on Engine
Near Gas Cap



777S32356



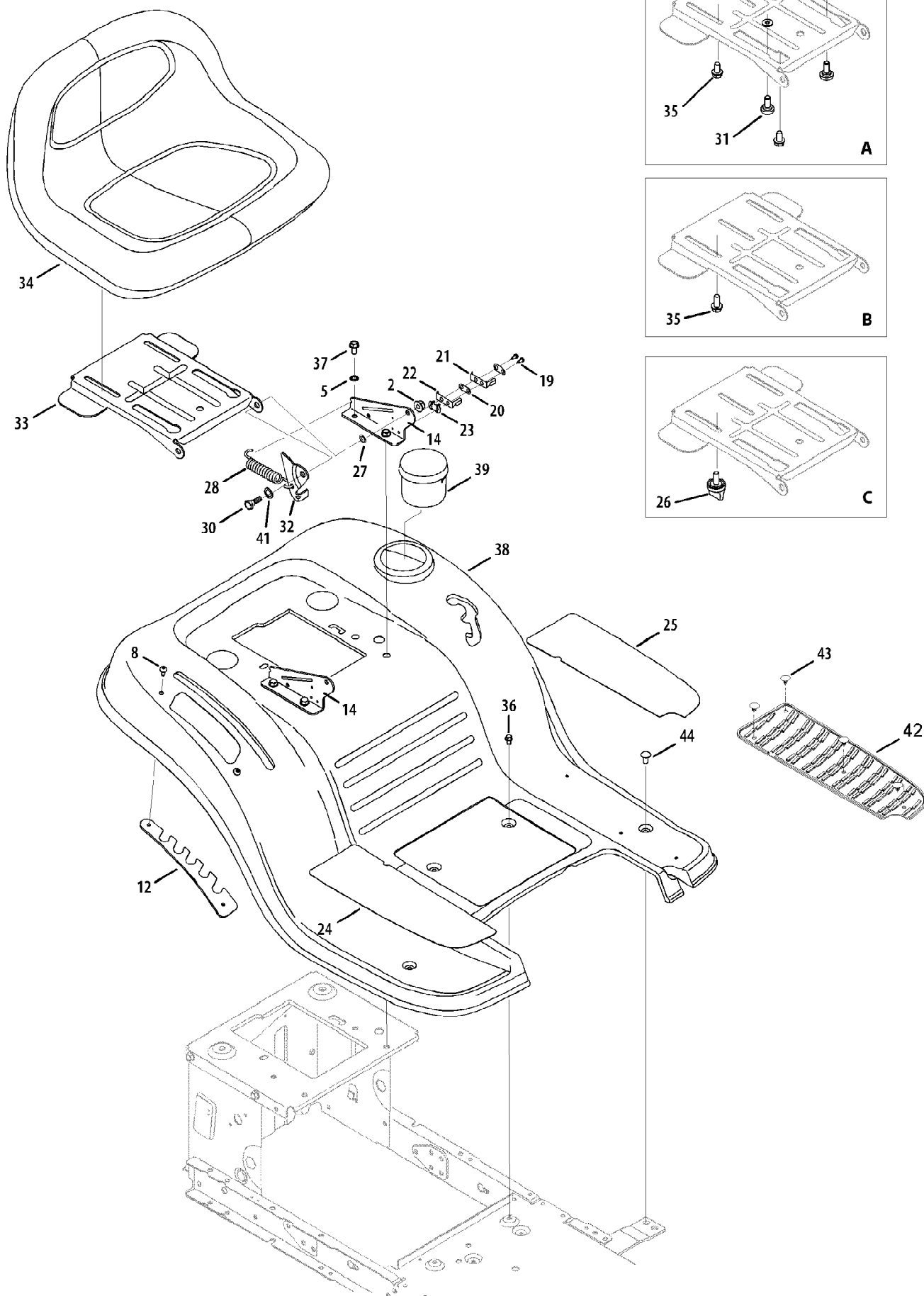
*777S32364
In Mold Graphic
*Reference Only



13AV76GF897 (2009)
Label Map

Page 13 of 19

Ref #	Part Number	Qty	S/P/F	Description
777S32552	777S32552	1		Label
777CD30086	777CD30086	1		Label
777I22679	777I22679	1		Label
777I22505	777I22505	1		Label
777X43688	777X43688	1		Label
777X43285	777X43285	1		Label
777CD30148	777CD30148	1		Label
777S32356	777S32356	1		Label
777S30296	777S30296	1		Label
777S32364	777S32364	1		Label
777I22507	777I22507	1		Label
777I22508	777I22508	1		Label
777D13469	777D13469	1		Label
777D13467	777D13467	1		Label
777D13468	777D13468	1		Label
777I22896	777I22896	1		Label
777I22506	777I22506	1		Label

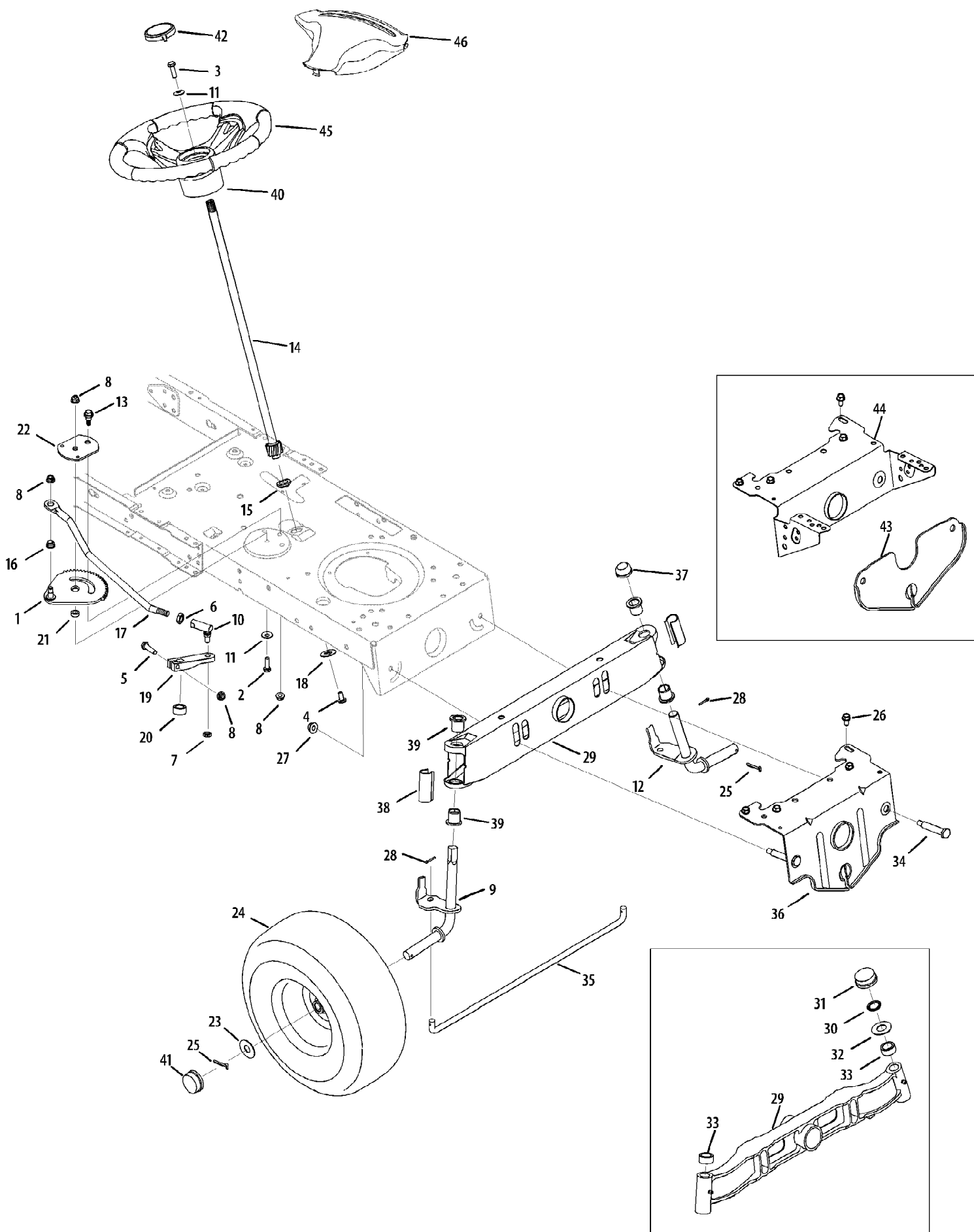


13AV76GF897 (2009)
Seat & Fender

Page 15 of 19

Ref #	Part Number	Qty	S/P/F	Description
2	712-04063	1	/P	Flange Locknut 5/16-18 Gr. F, Nylon
5	736-0607	1	/P	Lockwasher 5/16 ID
8	710-04483	1		Screw, 1/4-20 x .50
12	783-04843-0637	1		Lift Adjustment Bracket
14	783-1489C-0637	1	/P	Seat Mounting Bracket
19	710-0227	1	/P	Hex Wash HD AB S-Tapp Scr #8-.50
20	726-0279	1		Insulator Plate
21	925-1303	1	/P	Spring Switch
22	725-1439	1		Seat Spring Switch
23	726-0278	1		Insulator Plate
24	723-04025	1		Foot Pad, Abrasive, RH
25	723-04026	1		Foot Pad, Abrasive, LH
26	720-04061	1		Knob
27	726-0201	1		Push Speed Nut
28	732-1184	1	/P	Extension Spring .84 Dia. x 4.6
30	938-0296	1	/P	Shoulder Screw
31	738-04012A	1	/P	Shoulder Screw .625 x .175, 3/8-16
32	783-0209D	1	/P	Seat Lift Bracket
33	783-04081C-0637	1	/P	Seat Pivot Bracket
34	757-04099	1		Seat, Low Back
35	710-04482	1		Screw 3/8-16 x .875
36	710-0599	1	/P	Hex Wash S-Tapp Scr 1/4-20 x .50
37	710-04484	1		S-Tapp Scr 5/16-18 x .75
38	783-04587A-0606	1	/P	Fender
39	731-04591A	1	/P	Cup Holder
40	936-0300	1	/P	Flat Washer .405 x .875 x .059
40	936-0140	1	/P	Flat Washer .395 x .62 x .063
41	936-0108	1	/P	Flat Washer .510 x .750 x .033
42	735-04048	1		Foot Pad, RH
42	735-04047	1		Foot Pad, LH
43	726-04072A	1	/P	Ratchet Clip
44	710-0134	1	/P	Carriage Bolt 1/4-20 x .62

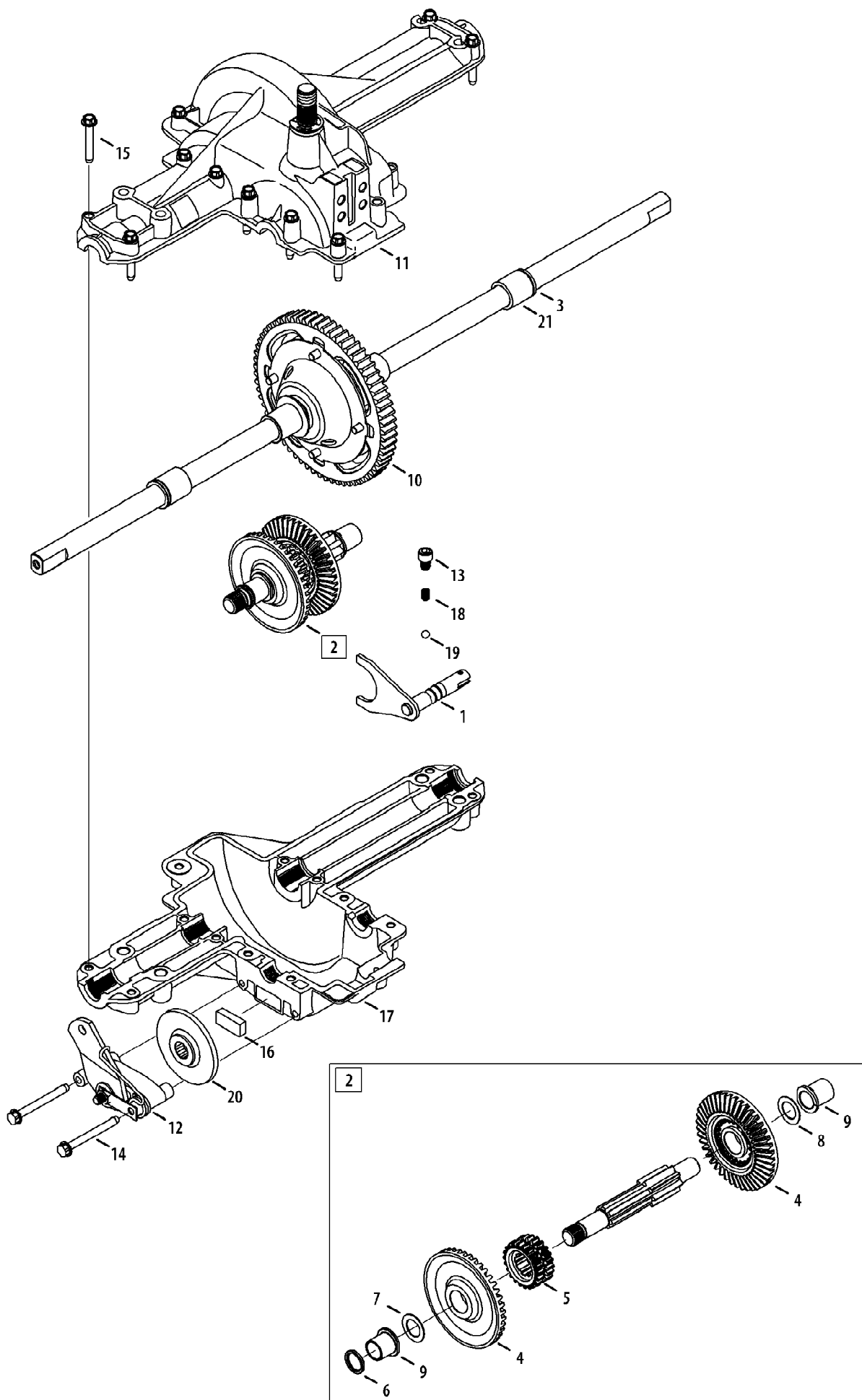
13AV76GF897 (2009)
Steering



13AV76GF897 (2009)
Steering

Page 17 of 19

Ref #	Part Number	Qty	S/P/F	Description
1	617-04024	1	S	Steering Gear Assembly
2	710-0376	1	/P	Hex Scr 5/16 x 1,00 Gr. 5
3	710-0643	1	/P	Hex Screw 5/16-18 x 1.00 Special
4	710-1309	1	/P	Machine Screw 5/16-18 x .75
5	710-3180	1	/P	Hex Screw 5/16-18 x 1.75" Lg.
6	712-0240	1	S	Hex Jam Nut 7/16-20
7	712-0262	1	/P	Hex Cent-L Jam Nut 3/8-24
8	712-04063	1	/P	Flange Locknut 5/16-18 Gr. F, Nylon
9	638-04008P	1	/P	Axle Assembly, RH
10	923-0448A	1	/P	Ball Joint, 7/16 - 20
11	736-0242	1	/P	Cupped Washer .345 ID x .88 OD x .060
12	938-04007A-0637	1	/P	Axle Assembly, LH
12	938-04014A-0637	1	/P	Axle Assembly, LH (w/46" deck)
13	738-04141	1		Shoulder Screw .435 x .3485, 5/16-18
14	738-0919A	1	/P	Steering Shaft, 5/8 Spline x 21.86
15	941-04124	1	/P	Hex Flange Bearing 5/8
16	941-0475	1	/P	Plastic Bushing .380 ID
17	747-04298	1		Steering Drag Link
18	948-0389	1	/P	Cap, 1.25 x .16
19	748-04065-0637	1	/P	Steering Block
20	748-04068	1		Spacer .710 ID x .125 OD x .56
21	750-04418	1		Spacer .322 ID x .625 OD x .21
22	783-04644	1	S	Stabilizer Plate, Gear Segment
23	736-04228A	1		Flat Washer .781 ID x 1.59 OD Special
24	634-04086-0911	1	/P	Wheel Ass'y
24	734-1731-0901	1	/P	Tire Only, Square Shoulder Not shown
24	934-04081-0662	1	/P	Rim Ass'y (incl. bearing and valve stem) Not shown
25	714-04039	1		Cotter Pin 5/32 x 1.25
26	710-04484	1		S-Tapp Scr 5/16-18 x .75
27	712-04065	1	/P	Flange Lock-Nut 3/8-16 Gr. F, Nylon
28	914-0474	1	/P	Cotter Pin 1/8" Dia x .75
29	683-0128B-0637	1	/P	Pivot Bar
30	726-04035	1		Push Nut 3/4"
31	731-04693	1		Axle End Cap
32	736-0316	1	S	Flat Washer .78 x 1.59 x .060
33	748-04068	1		Spacer .71 x .125 x .56
34	738-04128	1		Shoulder Screw .500 x 2.380, 3/8-16
35	747-04299A	1	/P	Tie Rod
36	783-05326-0637	1	/P	Pivot Bar Bracket
37	726-0341	1	/P	Push Cap, .750
38	731-04057A	1		Axle End Cap, Standard
39	741-0660A	1	/P	Flange Bearing .760 ID x .937 OD
40	631-04028	1		Steering Wheel, Standard Grip
41	931-0484A	1	/P	Plastic Hub Cap
42	731-04040	1		Steering Wheel Cap (spig logo)
43	783-04568-0637	1		Front Deck Hanger Bracket
44	783-04601C-0637	1		Pivot Bracket
45	631-04028	1		Steering Wheel, Soft Grip
46	N/A	1		Steering Wheel Cover Troy Bilt
46	N/A	1		Steering Wheel Cover - MTD



13AV76GF897 (2009)
Transmission

Page 19 of 19

Ref #	Part Number	Qty	S/P/F	Description
1	911-0011	1	/P	Detent Shaft Ass'y
2	911-04091	1	/P	Drive Shaft
3	921-0338	1	/P	Oil Seal .750 x 1.00 x .125
4	917-04479	1	S	Bevel Gear, 42 tooth spline
5	718-04381P	1	/P	Single Speed Clutch Collar
6	721-0213	1	/P	Seal .625 x .812 x .094
7	936-0336	1	/P	Flat Washer 5/8 ID x 1.0 OD x .030
7	936-0337	1	/P	Flat Washer 5/8 ID x 1.0 OD x 0.040 as required
7	936-0349	1	/P	Flat Washer 5/8 ID x 1.0 x .020 as required
7	736-0494	1		Thrust Wash. 5/8" ID x 1.0" OD x .035 as required
7	936-0495	1	/P	Thrust Wash. 5/8" ID x 1.0" OD x .025 as required
8	941-0336	1	/P	Flange Bearing 5/8 x 3/4
9	941-0337	1	/P	Flange Bearing 5/8 x 15/16
10	918-04567	1	S	Differential Assembly
11	919-04187	1	/P	Upper Housing
12	961-0001	1	/P	Brake Assembly
13	710-04731	1		Self-Tap Scr. 5/16-18 x .375
14	710-1206	1	/P	Self-Tap Scr. 1/4-20 x 2.375
15	710-1325	1	/P	Self-Tap Scr. 1/4-20 x 1.625
16	917-0678	1	/P	Brake Puch
17	919-04329	1	/P	Lower Housing
18	932-0863	1	/P	Compression Spring
19	741-0862	1	/P	Ball Detent .250 Dia.
20	761-0202	1		Brake Disc
21	941-0340	1	/P	Sleeve Bear ing 3/4 ID x 1.0
	737-0300A	1	/P	Grease (19 oz.) not shown