

13AV761F597 (2008)
Deck Assembly

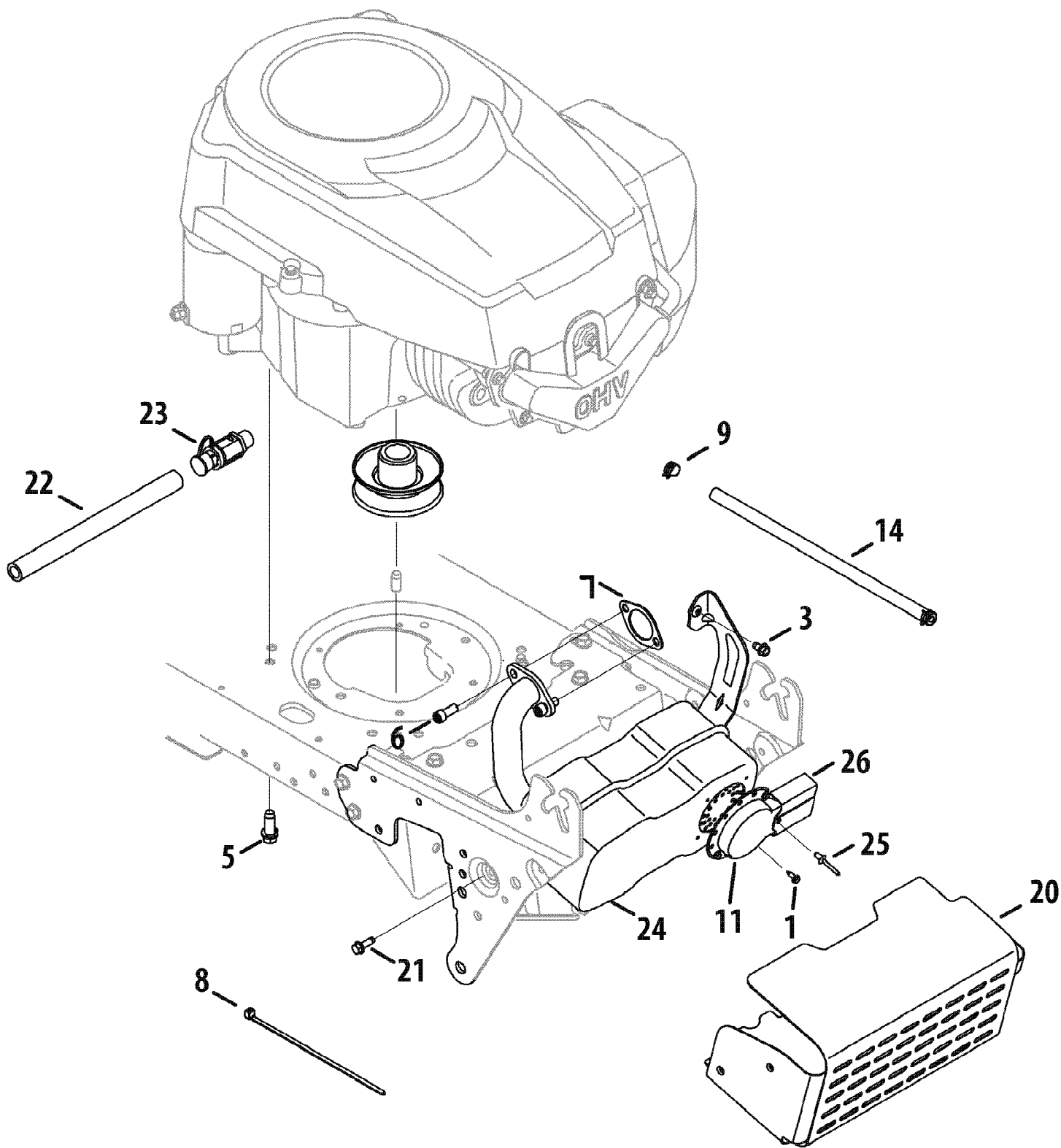
Page 2 of 24

Ref #	Part Number	Qty	S/P/F	Description
1	918-04474	1	S	Pulley Spindle Ass'y 5.75 dia.
1	712-0417A	1	/P	Flange Nut:5/8-18 Not shown
1	938-04241	1	/P	Spindle Shaft:5.50 LG Not shown
1	941-0919	1	/P	Ball Bearing:20x47x14:62 Not shown
1	750-04739	1		Spacer:.820x 1.150 x .480 Not shown
1	750-1000	1		Spacer:.80 x 1.10 x 1.322 Not shown
1	756-1188	1		Deck Pulley:5.75 Dia Not shown
2	683-04228	1		Deck Hanger Brkt. Ass'y
3	683-04138B	1	/P	Deck Brake Assembly
4	683-04264-0606	1	S	Deck Shell, 38" (w/wheel brackets)
5	683-04167	1	S	Deck Brake Assembly
6	710-0347	1	/P	Hex Screw 3/8-16 x 1.75
7	710-0134	1	/P	Carriage Bolt 1/4-20 x .62 If equipped
8	710-04484	1		S-Tapp Scr 5/16-18 x .75
9	710-0604A	1	/P	Hex Scr 5/16-18 x .625
10	710-3015	1	/P	Hex Bolt 1/4-20 x 1.00
11	710-0778	1	/P	Hex Wash HD Bolt 1/4-20 x 1.50" Lg.
12	710-0528	1	/P	Hex Wash Tap Scr 5/16-18 x 1.25
13	710-3005	1	/P	Hex Bolt 3/8-16 x 1.25
14	710-3008	1	/P	Hex Bolt 5/16-18 x .75" Lg. Gr. 5
15	783-04740	1		Deck Engagement Cable Bracket
16	712-0206	1	S	Hex Nut 1/2-13
17	712-04063	1	/P	Hex Flange Locknut 5/16-18 Gr. F, Nylon
18	631-0216	1	S	Side Discharge Chute Assembly
19	712-04065	1	/P	Hex Flange Locknut 3/8-16 Gr. F Nylon
20	712-0417A	1	/P	Hex Flange Locknut 5/8-18
21	712-0641	1	S	Hex Nut M16-1.5 DIN 936 If equipped
22	712-3006	1	/P	Hex Nut 1/4-20 Gr. 5
23	712-3083	1	/P	Hex Nut, 1/2-13
24	714-0104	1	S	Int. Cotter Pin .072 x 1.13" Lg.
25	717-04074	1	S	Deck Adjustment Gear
26	726-0233	1	/P	Bolt Retainer 1/4" x .50" OD
27	732-04280B	1	/P	Extension Spring .75 dia. x 6.37 Lg.
28	732-04287	1		Extension Spring .50 dia x 6.37
29	734-0973	1	/P	Wheel Ass'y - Deck 5" x 1.38" If equipped
30	736-0119	1	S	L-Wash 5/16 ID If equipped
31	736-0187	1	/P	Flat Washer .640 ID x 1.24 OD x .06 If equipped
32	736-0225	1	/P	L-Washer Internal If equipped
33	736-0300	1	S	Flat Washer
34	736-0270	1	/P	Cupped Washer .265 ID x .75 OD x .062
35	738-04166	1		Shoulder Spacer
36	738-0373	1	S	Shoulder Bolt .498 Dia x 1.53 x 3/8-16 If equipped
37	738-04146	1		Screw Plug M16 x 1.50 If equipped
38	738-04162A	1	/P	Shoulder Spacer .8540 x .200
39	742-0610A	1	S	3 in 1 Blade 19.38" Lg.
40	747-04322	1		Deck Rod, Front Adjustable
41	731-2363	1	/P	Mulching Plug If equipped
42	747-04381	1	/P	Brake Control Rod
43	748-04069	1		Deck Lift Pivot Cup
44	750-0566A	1	/P	Spacer:1.375 x 1.030 Lg.

13AV761F597 (2008)
Deck Assembly

Page 3 of 24

Ref #	Part Number	Qty	S/P/F	Description
45	754-04062	1	S	V-Belt
46	756-04129	1	S	Idler Poulie w/Flange 4.25 Dia
47	712-3087	1	/P	Wing Nut 1/4-20 Thd. If equipped
48	783-04602A	1	/P	Belt Cover 5.66 dia.
50	710-0599	1	/P	Screw, 1/4-20 x .50 If equipped
51	783-1297	1	S	38" Deck Skirt If equipped

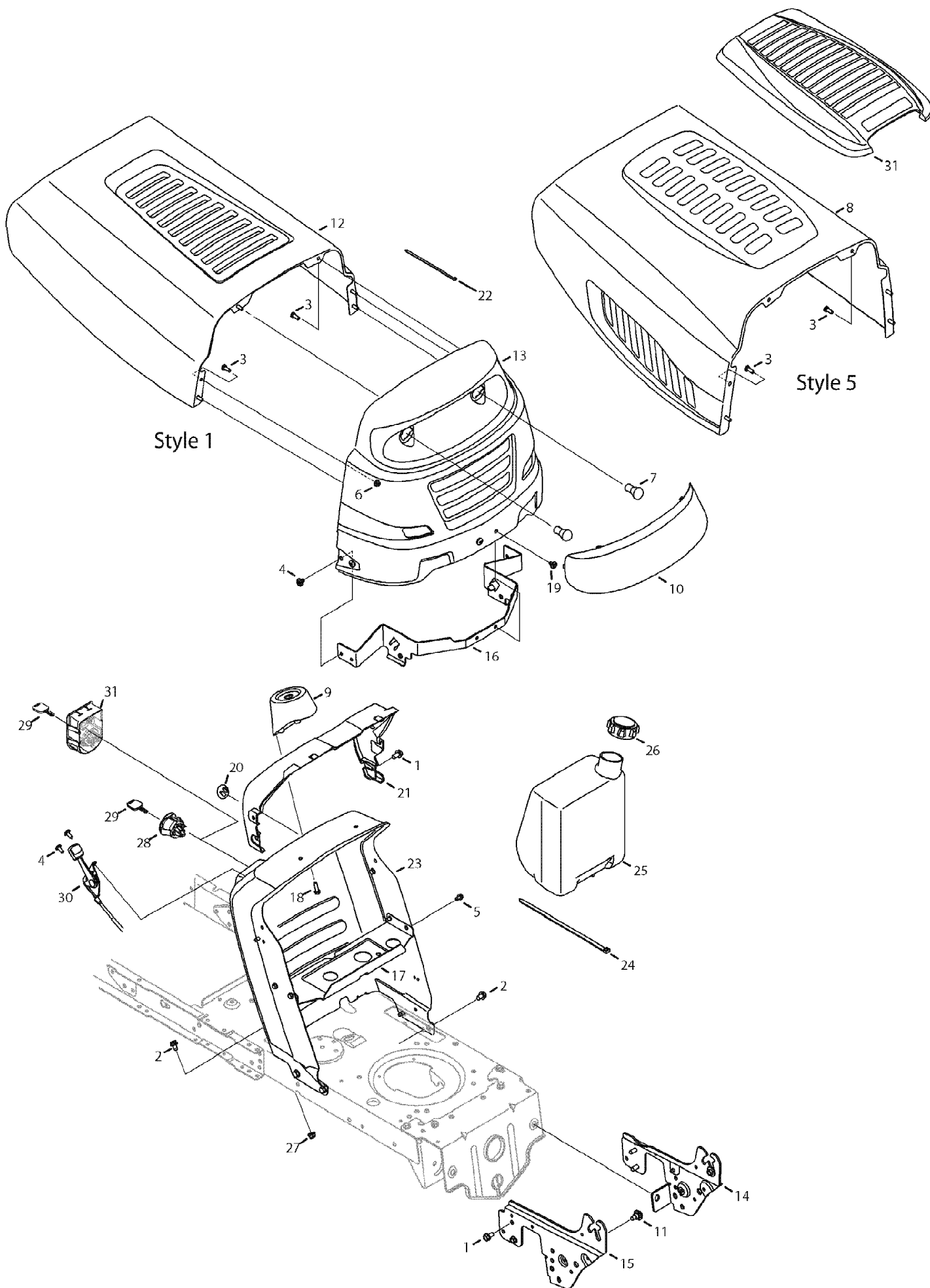


13AV761F597 (2008)
Engine Accessories

Page 5 of 24

Ref #	Part Number	Qty	S/P/F	Description
1	710-0227	1	/P	Hex Wash HD AB S-Tapp Scr #8-.50
3	710-0599	1	/P	Hex Wash S-Tapp Scr 1/4-20 x .50
5	710-04683	1		TT Screw 3/8-16 x 1.0
6	712-0271	1	/P	Sems Hex Nut 1/4-20
7	721-0208	1	S	Exhaust Gasket
8	725-0157	1	/P	Cable Tie
9	726-0205	1	/P	Hose Clamp
11	751-0564B	1	/P	Muffler Deflector
14	751-10349	1		Fuel Line
20	683-04370	1	S	Muffler Shield Assembly
21	710-0642	1	/P	Thd Forming Scr. 1/4-20 x .75 Lg.
22	751-3141	1	S	Oil Drain Ext. Hose
23	751-10517	1	S	Oil Drain
24	751-10529	1	S	Muffler
25	728-04000	1		Rivet
26	751-10353	1		Muffler Deflector, Long

13AV761F597 (2008)
Hood & Dash Assembly

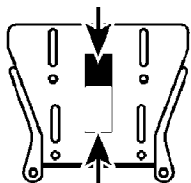


13AV761F597 (2008)
Hood & Dash Assembly

Page 7 of 24

Ref #	Part Number	Qty	S/P/F	Description
1	710-04484	1		S-Tapp Scr 5/16-18 x .75
2	710-0604A	1	/P	Hex Wash HD TT Scr 5/16-12 x .625
3	710-0751	1	/P	Hex Bolt 1/4-20 x .62 Gr. 5
4	710-04483	1		Hex Wash Hd Scr. 1/4-20 x .500
5	710-0599	1	/P	Hex Wash S-Tapp Scr 1/4-20 x .50
6	712-04064	1	/P	Hex L-Flg.Nut 1/4-20 Gr. F, Nylon
7	725-0963	1	S	Miniature Lamp 12V Socket Type
8	783-05683	1		Hood - Style 5 Style 5 only
9	731-04945	1		Steering Support
10	731-04949A	1		Lens
11	738-04091A	1	/P	Shoulder Screw .43 x .29, 5/16-18
12	783-05684	1		Hood Style 1
13	783-05685	1		Grill Style 1
14	783-05327B	1	S	LH Pivot Bracket
15	783-05328	1	S	RH Pivot Bracket
16	783-05454	1	S	Grill Pivot Bracket
17	783-04584	1	S	Gas Tank Support Bracket
18	710-0895	1		Hex Tapp Scr 1/4 x .75" Lg.
19	710-04484	1		S-Tapp Scr 5/16-18 x .375
20	731-05265	1		DashPlug
21	731-05078C	1	/P	Collar, Dash
22	726-0157	1		Cable Tie
23	783-04873	1		Dash Assembly (w/o RMC)
23	783-04892	1		Dash Assembly (w/RMC, w/o Amm.) Models equipped with RMC (Reverse Caution Model)
23	783-04889	1	S	Dash Assembly (w/RMC, w/ Amm.) Models equipped with RMC (Reverse Caution Model)
24	726-0230	1	/P	Cable Tie
25	751-0555B	1	/P	Fuel Tank 1.5 gal.
26	751-0603	1	S	Cap-Fuel
27	712-04063	1	/P	Hex L-Flg.Nut 5/16-18 Gr. F, Nylon
28	725-04659	1	S	Switch (w/o RMC) 3 Position
28	725-04230B	1	S	Ignition Switch (w/ RMC) Models equipped with RMC (Reverse Caution Model)
29	725-1744A	1	S	Ignition Key w/o Plastic Cover
30	746-04364	1		Choke/Throttle Cable 25"
31	731-05522A	1		Hood Cover - Style 5 Style 5 only
31	725-04567B	1	S	Wire Harness (w/o RMC) 3 Position
31	725-04479A	1	/P	Wire Harness (w/RMC, w/o AMM) Models equipped with RMC (Reverse Caution Model)
31	725-04432B	1	S	Wire Harness (w/RMC, w AMM) Models equipped with RMC (Reverse Caution Model)
31	777X41984	1		Headlight Lens Reflector

1. 
777CX00022
CENTRE ON UNDERSIDE
OF SEAT LIFT PLATE.



MODEL PLATE
ON 777CX00022

2. 
777CI00153
ON FENDER
OPERATOR'S LEFT SIDE.

3. 
777I22679
TOP OF ENGINE IN POSITION
SHOWN ON CORRECT ENGINE.



4. **777X41984**
REFLECTIVE INSERT PLACED ON
GRILL BEHIND HEADLIGHT LENS.

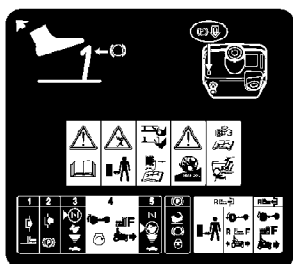


15. **777CI00151**
ON FENDER
OPERATOR'S RIGHT SIDE.



14. **777CD30148**
38" INTRA REAR CHUTE (LEFT)
Rechercher la coupe de 38" à l'arrière.

COLUMBIA
SHIFT - On - The - GO



13. **777S32552**

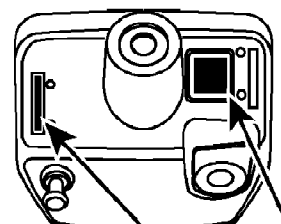
COLUMBIA

10. **777CD30086**
CENTRE ON REAR
OF FENDER.

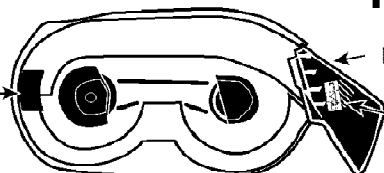
5. **777CD30138 (LH)**
777CD30139 (RH)



7. **777I22896**
PLACE CENTERED ON
STEERING WHEEL WITH ONLY
HALF OF THE SPLIT BACKING
REMOVED, FOR EASY REMOVAL.



12. **777S30544**

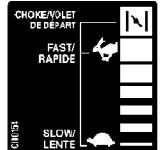


877S30051

11. 
777S30296
PLACE UNDER CHUTE.

MOLDED IN CHUTE

9. 
777CI00152

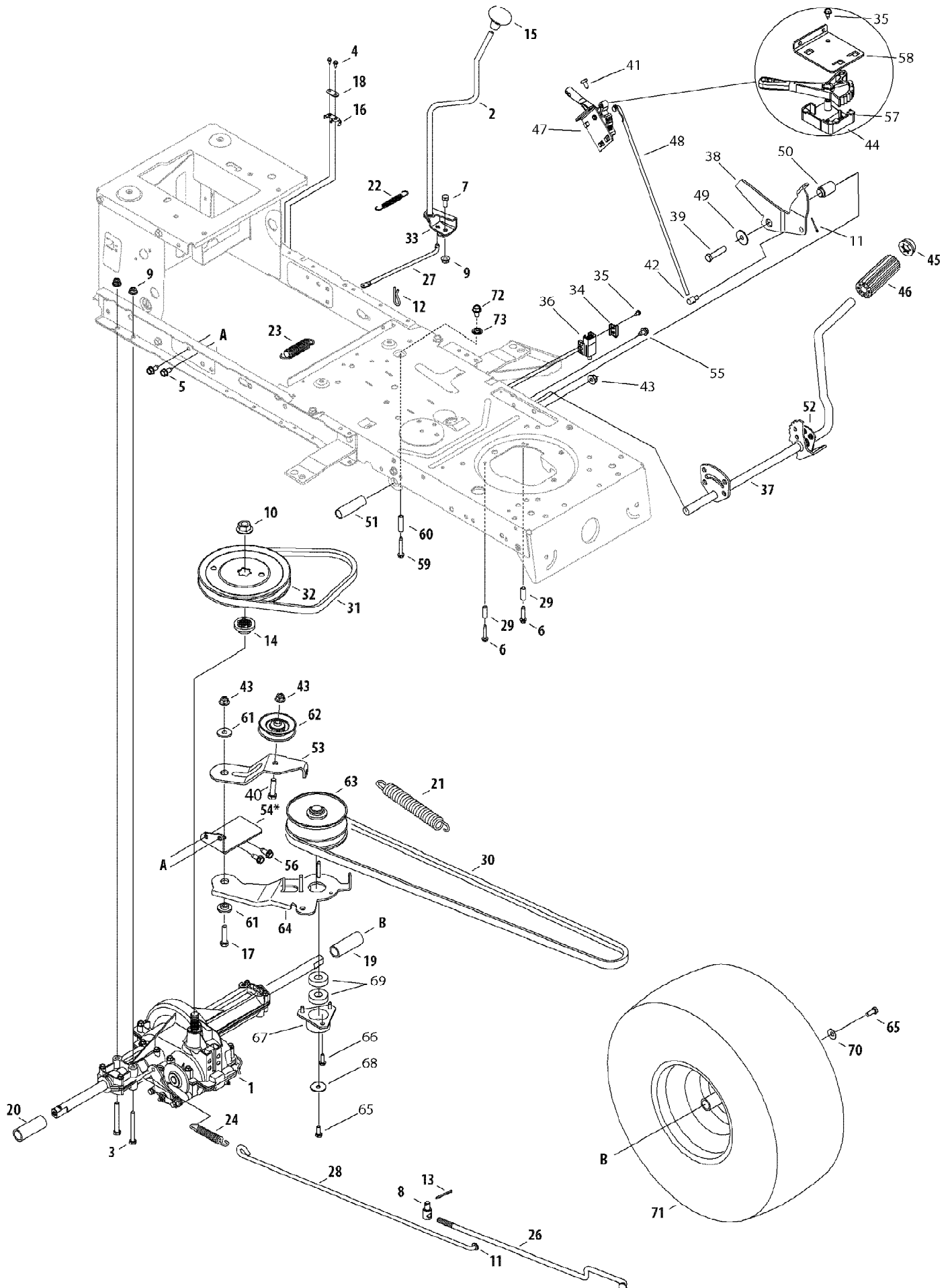
8. **777CI00154**


13AV761F597 (2008)
Label Map

Page 9 of 24

Ref #	Part Number	Qty	S/P/F	Description
1	777CX00022	1		LABEL: MADE IN USA
2	777CI00153	1		LABEL-FENDER LH FN
3	777I22679	1		LABEL-CHECK ENG OIL
4	777X41984	1		LABEL:RIDER 1&5 STYLE GRILL
5	777CD30138	1		LABEL-HOODSIDE LH STY 1 COLUMBIA
6	777CD30139	1		LABEL-HOODSIDE RH STY 1 COLUMBIA
7	N/A	1		LABEL
8	777CI00154	1		LABEL-DASH PNL THR
9	777CI00152	1		LABEL-DASH PNL SPE
10	777CD30086	1		LABEL-REAR FENDER COLUMBIA
11	777S30296	1		LABEL:RIDER DECK: UNDERCHUTE EXP
12	777S30544	1		LABEL-DECK SAFETY
13	777S32552	1		LABEL-LT5 FLOORBOA
14	777CD30148	1		LABEL-SOTG 38" FNDR COLUMBIA
15	777CI00151	1		LABEL-DECK HEIGHT

13AV761F597 (2008)
Lower Frame & Wheel Assembly



13AV761F597 (2008)
Lower Frame & Wheel Assembly

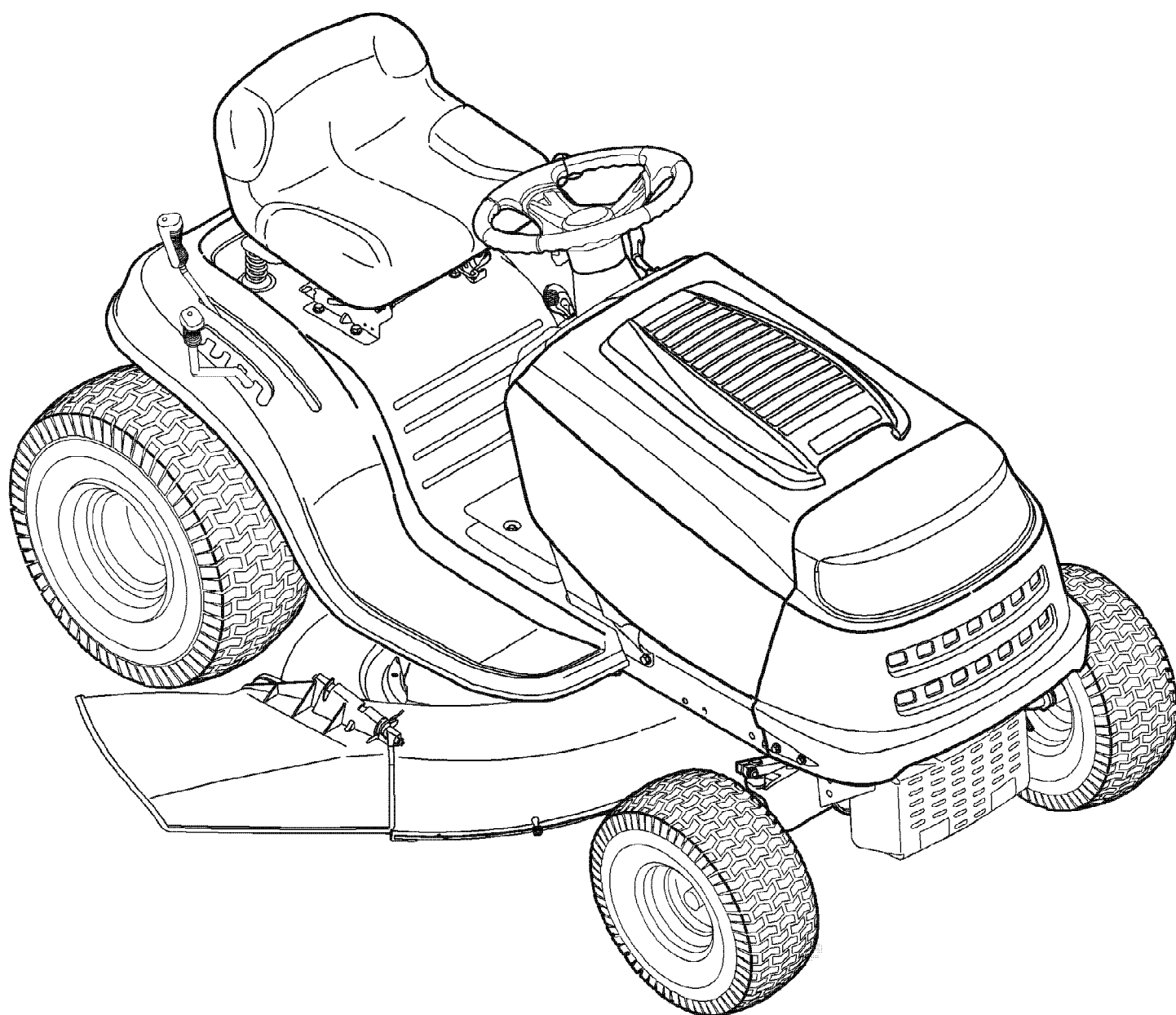
Page 11 of 24

Ref #	Part Number	Qty	S/P/F	Description
1	618-04566	1	S	Transmission Ass'y
2	647-04035	1		Shift Lever Ass'y
3	710-0176	1	/P	Hex Scr 5/16-18 x 2.75
4	710-0227	1	/P	Hex Wash HD AB S-Tapp Scr #8-.50
5	710-04484	1		S-Tapp Scr 5/16-18 x .75
6	710-0809	1		Hex Bolt 1/4-20 x 1.25
7	710-3008	1	/P	Hex Bolt 5/16-18 x .75" Lg. Gr. 5
8	711-04075A	1	S	Ferrule
9	712-04063	1	/P	Flange Locknut 5/16-18 Gr. F, Nylon
10	712-0700	1	/P	Flange Nut
11	714-0111	1	S	Cotter Pin 3/32 dia x 1.00 Lg.
12	714-0209	1	S	Cotter Pin
13	714-0470	1	S	Cotter Pin 1/8" Dia x 1.25
14	718-0758A	1	S	Pulley Hub 5/8" Spline
15	720-04028	1		Shift Knob
16	725-1644	1		Short Spring Switch
17	710-0347	1	/P	Screw, 3/8-16 x 1.75
18	726-0320	1	S	Insulator Nut Plate
19	731-04602	1		Sleeve, .758 x .821 x 3.3125
20	731-04604	1		Sleeve, .758 x .821 x 2.4375
21	732-04076A	1	/P	Spring, Extension, 1.15 OD x 7.90
22	732-04488	1		Spring, Extension
23	732-04306	1		Spring, Extension, .80 OD x 3.28
24	732-0716D	1	/P	Ext. Spring .59 OD x 4.00 Lg.
25	736-0264	1	S	Flat Washer .344 ID x .625 OD x .063
26	747-04265	1		Control Rod, Variable Speed
27	747-04277	1		Shift Rod
28	747-04733A	1		Brake Rod
29	750-0566A	1	/P	Spacer .260 x .375 x 1.030 Lg.
30	754-04001A	1	S	Belt
31	754-0241A	1	S	Belt
32	756-04002	1	S	Pulley, V-Type, 7.25 dia.
33	783-04595	1		Shift Bracket, Adjustable
34	17962	1		Switch Plate
35	710-0224	1	S	Hex AB-Tap Scr #10 X .50" Lg.
36	725-04363	1		Interlock Switch
37	647-04034C	1		Drive Pedal Assembly
38	783-04862	1	/P	Latch Ass'y, Engagement (RMC)
38	783-04903	1		Latch Ass'y, Engagement (w/o RMC)
39	710-3114	1		Hex Screw 3/8-16 x 1.875 Gr. 5
40	683-04225	1	S	6 Speed Shift Control Ass'y
40	683-04216	1	S	7 Speed Shift Control Ass'y
41	710-04483	1		Screw, 1/4-20 x .5
42	711-0736	1	/P	Adjustment ferrule
43	712-04065	1	/P	Flange Lock-Nut 3/8-16 Gr. F Nylon
44	731-05361	1		Control Cover
45	726-0214	1	/P	Push Cap 5/8" Dia Rod
46	735-0239	1	/P	Foot Pad
47	683-04216	1	S	Shift Lever - 6 Speed
47	731-05362A	1		Shift Lever - 7 Speed
48	747-04430	1		Speed Selector Control Rod
49	738-0133	1	S	Flat Washer .411 ID x 1.25 OD x .10
50	750-04465	1		Spacer .390 x .671 x 1.095

13AV761F597 (2008)
Lower Frame & Wheel Assembly

Page 12 of 24

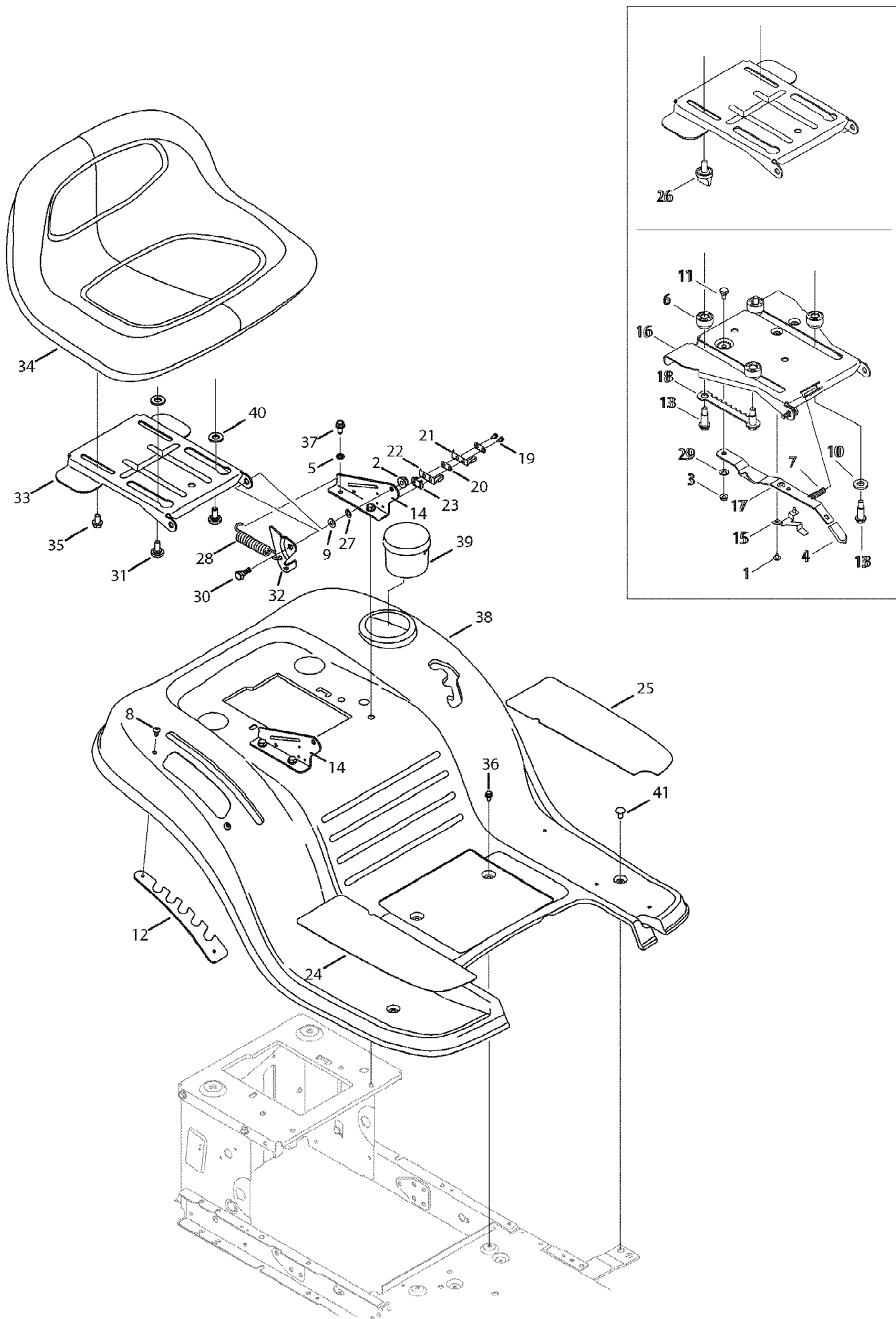
Ref #	Part Number	Qty	S/P/F	Description
51	750-0802	1		Spacer .630 ID
52	783-04536B	1	S	Pedal Support Bracket
53	683-04207	1		Idler Bracket
54	683-04176A	1	/P	Transmission Torque Bracket
55	710-0604A	1	/P	Self-tapping Screw 5/16-18 x .625
56	710-1260A	1	/P	Hex Wash. Hd. Scr. 5/16-18 x .75 Lg.
57	732-0627	1		Shift Lever Spring
58	783-04830	1		Control Bracket
59	710-1325	1	/P	Screw, 1/4-20 x 1.625
60	750-04456	1		Spacer, .260 x .372 x 1.420
61	738-0347	1	S	Shoulder Spacer
62	756-04325	1	/P	Flat Idler
63	656-04015	1	S	Variable Speed Pulley Ass'y 4.75 OD
64	683-04206	1		Variable Speed Bracket Ass'y
65	710-0627	1	/P	Hex L-Screw 5/16-24 x 0.75 Gr. 5
66	710-0778	1	/P	Hex Scrw 1/4-20 x 1.5
67	718-04261	1		Bearing Cup
68	736-0362	1	/P	Flat Washer .22 ID x 1.25
69	741-0124	1	S	Ball Bearing 17 x 40 x 12
70	736-0242	1	/P	Cupped Washer .345 ID x .88 OD x .060
71	634-0104	1		Wheel Assembly Complete, 20 x 8 x 8
71	734-1730	1		Tire Only, 20 x 8 x 8, Square Shoulder
72	710-0599	1	/P	Hex Wash S-Tapp Scr 1/4-20 x .50
73	736-0222	1	S	Lockwasher 1/4"



13AV761F597 (2008)
Quick Reference

Page 14 of 24

Ref #	Part Number	Qty	S/P/F	Description
	KH-25-132-14	1		Spark Plug
	KH-12-050-01	1		Oil Filter
	N/A	1		Pre Filter
	KH-20-083-02	1		Air Filter
	KH-25-050-21	1		Fuel Filter
	751-0603	1	S	Fuel Cap
	725-04439	1		Solenoid
	618-04474	1	S	Deck Spindles
	742-0410A	1		Blades
	712-0417A	1	/P	Blade Nut
	734-0973	1	/P	Deck Wheels
	723-0448A	1	S	Ball Joint
	725-1744A	1	S	Ignition Keys
	754-04001A	1	S	Upper Drive Belt
	754-0241A	1	S	Lower Drive Belt
	N/A	1		PTO Belt
	754-04062A	1		Deck Spindle Belt
	731-2363	1	/P	Mulch Plug
	631-0216	1	S	Discharge Chute
	OEM-190-032	1	/P	42-inch Two-stage Snow Thrower Attachment
	OEM-190-116	1	/P	38/42-inch Deck Mulch Kit Attachment
	OEM-190-180	1	S	Twin Bagger Grass Collector (for 38/42-inch Decks) Attachment
	OEM-190-183	1		Deck Wheel Kit Attachment
	OEM-190-218	1		Rear Wheel Weight Kit Attachment
	OEM-190-607	1		Deluxe Tractor Sunshade (Not compatible with tractors equipped with a Grass Collector) Attachment
	OEM-190-658	1	S	Tire Chains, 20 x 8 Tires Accessory
	OEM-190-672	1	S	Grille Guard (mounts on front of tractor)
	OEM-190-833	1	/P	46-inch Front Dozer Blade Attachment

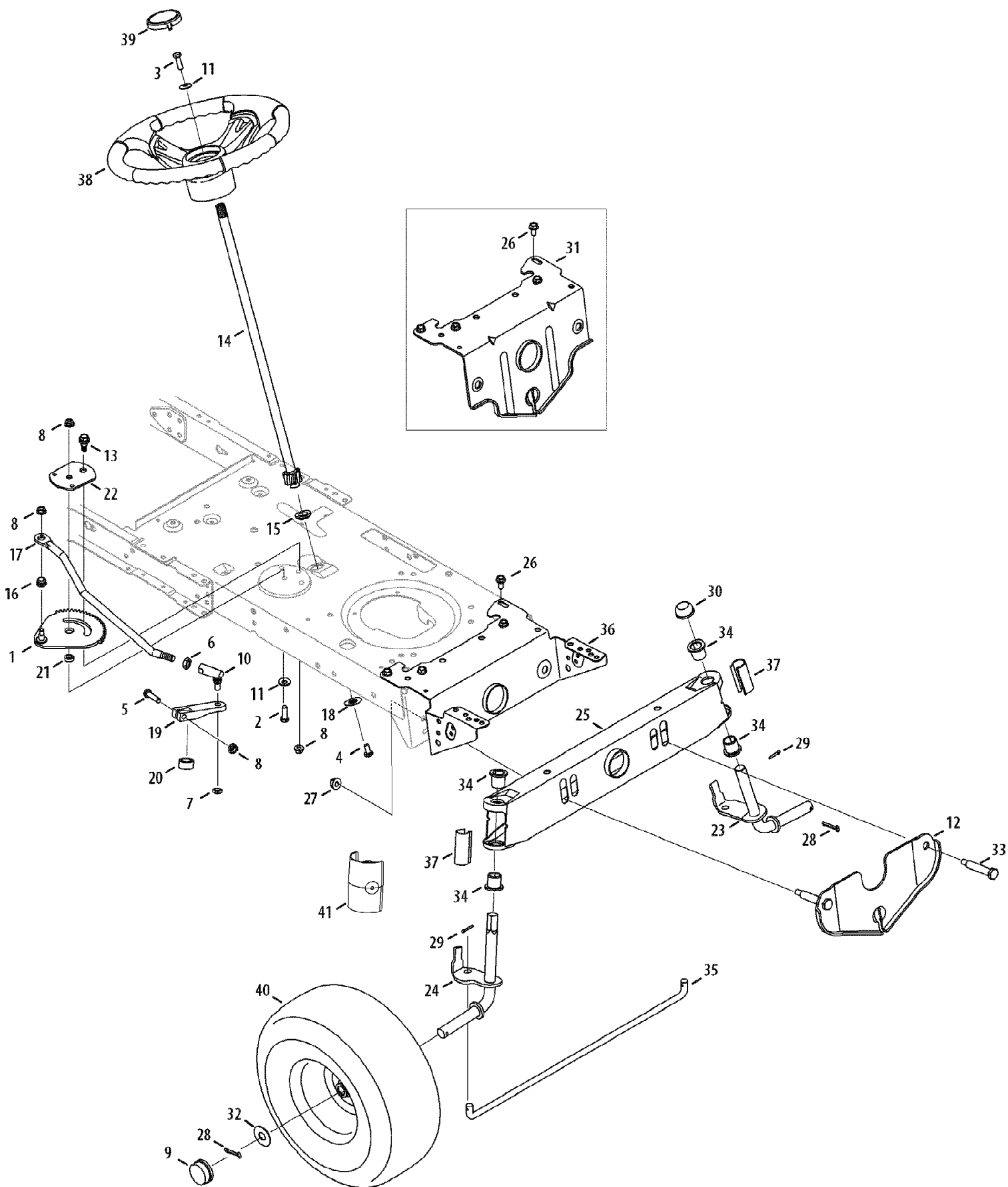


13AV761F597 (2008)
Seat & Fender Assembly

Page 16 of 24

Ref #	Part Number	Qty	S/P/F	Description
1	710-1268	1	/P	Hex B-Tapp Wash Scr #10-16 x .38
2	712-04063	1	/P	Flange Locknut 5/16-18 Gr. F, Nylon
3	712-04064	1	/P	Hex L-Flanged Nut 1/4-20 Gr. F, Nylon
4	720-0309A	1	/P	Seat Adjuster Grip
5	736-0607	1	/P	Lockwasher 5/16 ID
6	731-04074	1		Spacer
7	732-0499	1		Compression Spring .41 x 1.5" Lg
8	710-04483	1		Screw, 1/4-20 x .50
9	736-0242	1	/P	Cupped Wash. .345 ID x .88 OD x .060
10	736-3019	1		Flat Washer .531 ID x 1.0 OD
11	738-0137A	1	S	Shoulder Screw .340 x .285: 1/4-20
12	783-04843	1		Lift Adjustment Bracket
13	738-0966A	1	/P	Shoulder Screw
14	783-1489C	1		Seat Mounting Bracket
15	783-0611	1		Seat Stop
16	783-0738D	1	/P	Seat Pivot Bracket
17	783-0739A	1	S	Seat Adjustment Lever
18	783-0753	1		Seat Adjustment Selector
19	710-0227	1	/P	Hex Wash HD AB S-Tapp Scr #8-.50
20	726-0279	1		Insulator Plate
21	725-1303	1	S	Spring Switch
22	725-1439	1		Seat Spring Switch
23	726-0278	1		Insulator Plate
24	723-04025	1		Foot Pad, Abrasive, RH
25	723-04026	1		Foot Pad, Abrasive, LH
26	720-04061	1		Knob
27	726-0201	1		Push Speed Nut Not required on models with Ref. 26
28	732-1184	1	/P	Extension Spring .84 Dia. x 4.6
29	736-0204	1	/P	Flat Washer .344 ID x .62 OD x .033
30	738-0296	1	S	Shoulder Screw
31	738-04012A	1	/P	Shoulder Screw .625 x .175, 3/8-16
32	783-0209D	1	/P	Seat Lift Bracket
33	783-04081B	1		Seat Pivot Bracket
34	757-04001A	1	/P	Seat, Low Back
34	757-04037	1	S	Seat, Medium Back
35	710-04482	1		Screw 3/8-16 x .875
36	710-0599	1	/P	Hex Wash S-Tapp Scr 1/4-20 x .50
37	710-04484	1		S-Tapp Scr 5/16-18 x .75
38	783-04587A	1		Fender
39	731-04591A	1	/P	Cup Holder
40	736-0300	1	S	Flat Washer .405 x .875 x .059
40	736-0140	1	S	Flat Washer .395 x .62 x .063

13AV761F597 (2008)
Steering Assembly



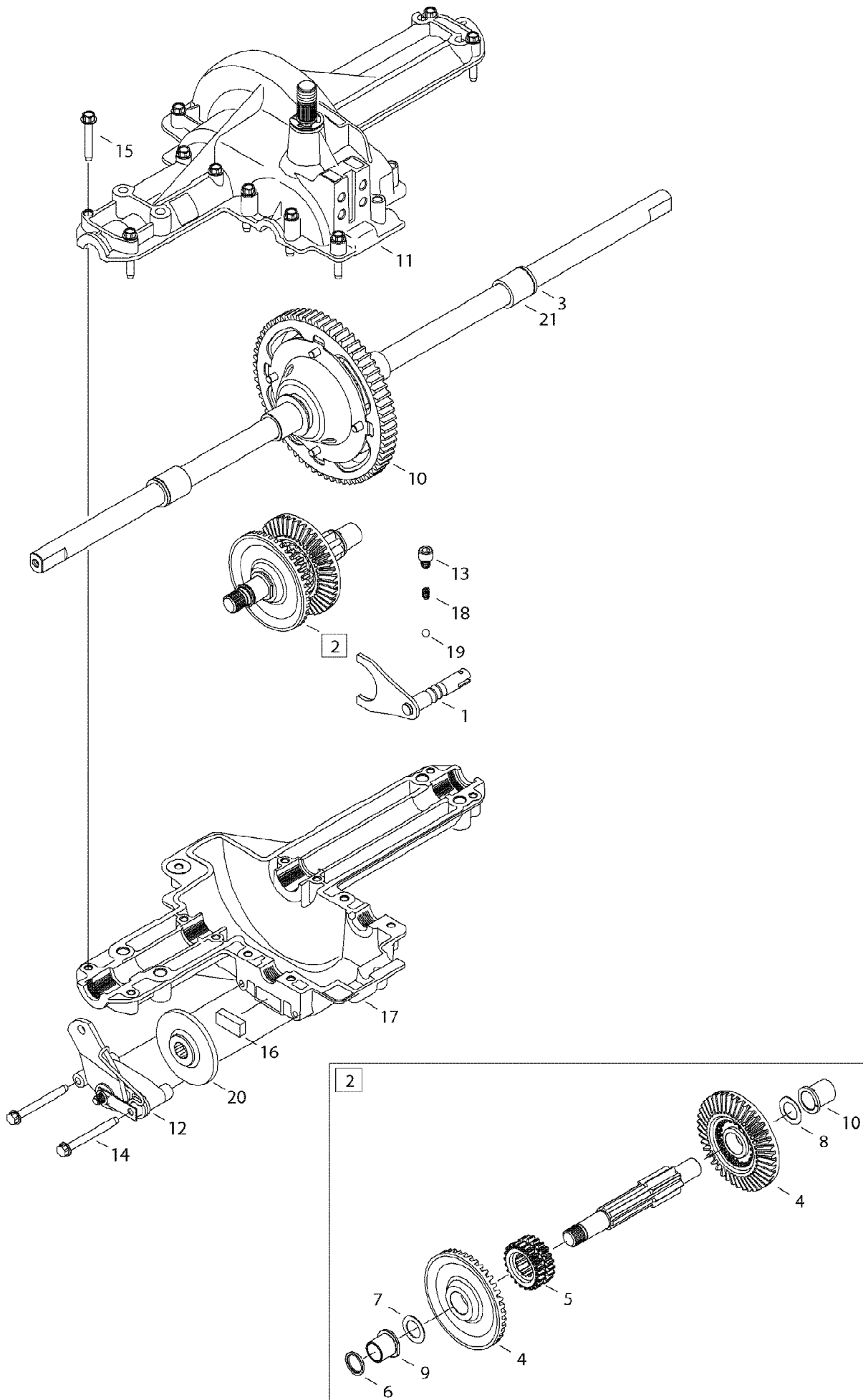
13AV761F597 (2008)
Steering Assembly

Page 18 of 24

Ref #	Part Number	Qty	S/P/F	Description
1	617-04024	1	S	Steering Gear Assembly
2	710-0376	1	/P	Hex Scr 5/16 x 1,00 Gr. 5
3	710-0643	1	/P	Hex Screw 5/16-18 x 1.00 Special
4	710-1309	1	/P	Machine Screw 5/16-18 x .75
5	710-3180	1	/P	Hex Screw 5/16-18 x 1.75" Lg.
6	712-0240	1	S	Hex Jam Nut 7/16-20
7	712-0262	1	/P	Hex Cent-L Jam Nut 3/8-24
8	712-04063	1	/P	Flange Locknut 5/16-18 Gr. F, Nylon
9	731-0484A	1	S	Plastic Hub Cap
10	723-0448A	1	S	Ball Joint, 7/16 - 20
11	736-0242	1	/P	Cupped Washer .345 ID x .88 OD x .060
12	783-04568	1		Front Deck Hanger Bracket
13	738-04141	1		Shoulder Screw .435 x .3485, 5/16-18
14	738-0919A	1	/P	Steering Shaft, 5/8 Spline x 21.86
15	741-04124	1	S	Hex Flange Bearing 5/8
16	741-0475	1	S	Plastic Bushing .380 ID
17	747-04298	1		Steering Drag Link
18	748-0389	1	S	Cap, 1.25 x .16
19	748-04065	1	S	Steering Block
20	748-04068	1		Spacer .710 ID x .125 OD x .56
21	750-04418	1		Spacer .322 ID x .625 OD x .21
22	783-04644	1	S	Stabilizer Plate, Gear Segment
23	638-04007	1	S	Axle Assembly, LH
24	638-04008	1	S	Axle Assembly, RH
25	683-0128B	1	/P	Pivot Bar
26	710-04484	1		S-Tapp Scr 5/16-18 x .75
27	712-04065	1	/P	Flange Lock-Nut 3/8-16 Gr. F, Nylon
28	714-04039	1		Cotter Pin 5/32 x 1.25
29	714-0474	1	S	Cotter Pin 1/8" Dia x .75
30	726-0341	1	/P	Push Cap, .750
31	783-05326	1	S	Pivot Bar Bracket
32	736-0316	1	S	Flat Washer .780 ID x 1.56 OD
33	738-04128	1		Shoulder Screw .500 x 2.380, 3/8-16
34	741-0660A	1	/P	Flange Bearing .760 ID x .937 OD
35	747-04299	1	S	Tie Rod
36	783-04601C	1		Pivot Bracket
37	731-04057A	1		Axle End Cap, Standard
38	631-04028	1		Steering Wheel, Standard Grip
38	631-04008A	1	/P	Steering Wheel, Soft Grip
39	731-04040	1		Steering Wheel Cap (sprig logo)
39	731-04039	1		Steering Wheel Cap (w/o logo)
40	634-04086	1		Wheel Ass'y 15 x 6x 6
40	734-1731	1		Tire Only, Square Shoulder
40	634-04081	1	S	Rim Ass'y (incl. bearing and valve stem) Plastic Bushing, Not shown
40	741-0516B	1	/P	Bearing, Flange Plastic Bushing, Not shown
40	741-0990B	1	/P	Bearing, Flange w/Fitting Plastic Bushing, Not shown
40	634-04199	1		Wheel Assembly, 15 x 6 x 6 Ball Bearing
40	734-1731	1		Tire Only, Square Shoulder
40	634-04091A	1		Rim Only 15" Ball Bearing, Not shown
40	741-04137	1	S	Bearing, Flange Ball Bearing, Not shown

13AV761F597 (2008)
Steering Assembly

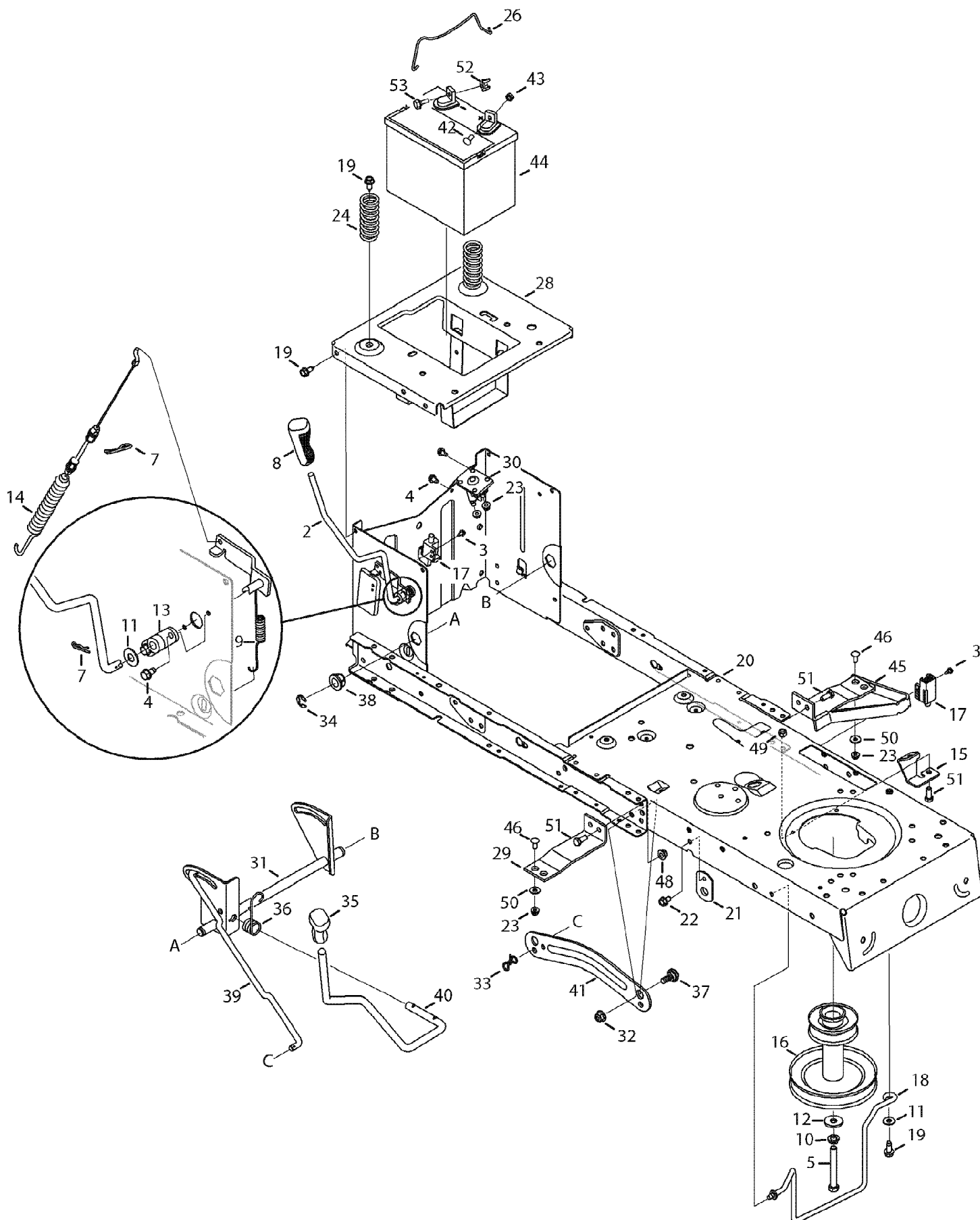
Ref #	Part Number	Qty	S/P/F	Description
40	737-0224	1		Lube Fitting Not shown
41	731-1291A	1	S	Pivot Bar End Cap (w/grease fitting)
41	731-04057A	1		Pivot Bar End Cap (w/o fitting)



13AV761F597 (2008)
Transmission Assembly

Page 21 of 24

Ref #	Part Number	Qty	S/P/F	Description
1	611-0011	1	S	Detent Shaft Assembly
2	611-04091	1	S	Drive Shaft Ass'y (Incl. Ref. 3-9)
3	721-0338	1	S	Seal
4	717-04479	1	S	Bevel Gear 42T
5	718-04381	1	S	Single Speed Clutch Collar
6	721-0213	1	/P	Seal .625 x .812 x .94
7	736-0336	1	S	Flat Washer 5/8 ID x 1.0 OD x .030 Use applicable flat washers (ref. # 7) in this application allowing .006/.014 in. end-play.
7	736-0337	1	S	Flat Washer 5/8 ID x 1.0 OD x 0.040
7	736-0349	1	S	Flat Washer 5/8 ID x 1.0 x .020
7	736-0494	1		Flat Washer .632" ID x 1.0 OD x .035
7	736-0495	1	S	Thrust Wash. 5/8" ID x 1.0" OD x .025
8	741-0336	1	S	Flange Bearing 5/8 x 3/4 x 3/4
8	741-0337	1	S	Flange Bearing 5/8 x 3/4 x 15/16
10	618-04567	1	S	Differential Assembly
11	619-04187	1	S	Upper Housing
12	661-0001	1	S	Brake Ass'y
13	710-04731	1		S-Tapping Screw 5/16-18 x .375
14	710-1206	1	/P	Hex Wash. Hd. Self-Tap Scr. 1/4-20
15	710-1325	1	/P	S-Tapping Screw 1/4-10 x 1.625
16	717-0678	1	S	Brake Puch
17	719-04329	1	S	Lower Housing
18	732-0863	1	S	Com pression Spring
19	741-0862	1	/P	Ball Detent .250 Dia.
20	761-0202	1		Brake Disc
21	741-0340	1	S	Sleeve Bearing 3/4 ID x 1.0
	737-0148	1	S	Grease (19 oz.) Not shown



13AV761F597 (2008)
Upper Frame & Battery

Page 23 of 24

Ref #	Part Number	Qty	S/P/F	Description
1	783-0678C	1	/P	Deck Lift Link
2	647-04096	1		PTO Handle
3	738-04237A	1		Shoulder Scr #10-16 x .50" Lg.
4	710-0599	1	/P	Hex Wash S-Tapp Scr 1/4-20 x .50
5	710-04608	1		Hex Hd. Cap Scr. 7/16-20 x 3.25 Gr. 5
6	783-05389	1	S	Frame Brace Bracket
7	714-0145	1	S	Hairpin Cotter
8	720-04049A	1	/P	Handle Grip 3/8
9	732-04276A	1	/P	Extension Spring
10	736-0171	1	S	Lockwasher 7/16 ID
11	736-0300	1	S	Flat Washer .385 ID x .87 OD x .06
12	736-0322	1	/P	Flat Washer .450 x 1.25 x .164
13	741-04119	1	S	PTO Bearing
14	746-04173B	1	S	Deck Engagement Cable
15	783-04753	1		Frame Support Bracket
16	756-04196A	1	/P	Engine Pulley 3.39 x 6.12 dia.
17	725-04363	1		Interlock Switch
18	747-04332A	1	/P	Belt Keeper Rod (38" Deck)
18	683-04443	1	S	Belt Keeper Rod (42" Deck)
19	710-04484	1		S-Tapp Scr 5/16-18 x .75
20	683-04450	1		Frame
21	783-04536B	1	S	Pedal Support Bracket
22	710-0604A	1	/P	Hex Wash HD TT Scr 5/16-18 x .625
23	712-04064	1	/P	Hex L-Flanged Nut 1/4-20 Gr. F, Nylon
24	732-04035	1		Compression Spring 1.28 x 3.125
25	783-04462	1		Lift Bracket
26	683-04448	1	S	Battery Hold Down Rod
27	783-04869A	1	S	Battery Bracket
28	783-04548C	1	S	Seat Frame Bracket
29	783-04637	1	S	Running Board Bracket
30	725-04439	1		Solenoid
31	683-04155A	1	S	Lift Shaft
32	712-04065	1	/P	Flange Lock-Nut 3/8-16 Gr. F, Nylon
33	714-04043	1		Cotter Pin .08 x 1.56 Intern - R.H.
33	714-0470	1	S	Cotter Pin .08 x 1.25 Intern - LH
34	716-0106A	1		"E" Ring .625 Dia.
35	720-0311	1		Handle Grip
36	732-04225	1		Torsion Spring
37	738-04130	1		Shoulder Screw .625 x .175, 3/8-16
38	741-0225	1	S	Hex Flange Bearing .630 ID
39	747-04393	1		Lift Rod
40	747-04282	1		Deck Lift Handle
41	783-04494B	1		Deck Lift Arm RH
41	783-04711B	1	/P	Deck Lift Arm LH
42	710-04466	1	S	Carriage Bolt 1/4-10 x .75 Gr. 5
43	712-0271	1	/P	Sems Hex Nut 1/4-20
44	725-1707D	1	S	Battery 245 CCA (Dry)
45	683-04195	1		Support Bracket Ass'y
46	710-0134	1	/P	Carriage Bolt 1/4-20 x .62
47	710-3025	1	/P	Screw, 5/16-18 x .625
48	712-04063	1	/P	Hex L-Flg Nut 5/16-18 Gr. F, Nylon
49	712-0429	1	S	Hex L-Nut 5/16-18
50	736-0173	1	/P	Flat Washer .28 x .74 x .063

13AV761F597 (2008)
Upper Frame & Battery

Ref #	Part Number	Qty	S/P/F	Description
51	710-3008	1	/P	Hex Screw 5/16-18 x .75
52	712-3087	1	/P	Wingnut
53	738-1132	1		Shoulder Screw .25 x .15: 1/4-20