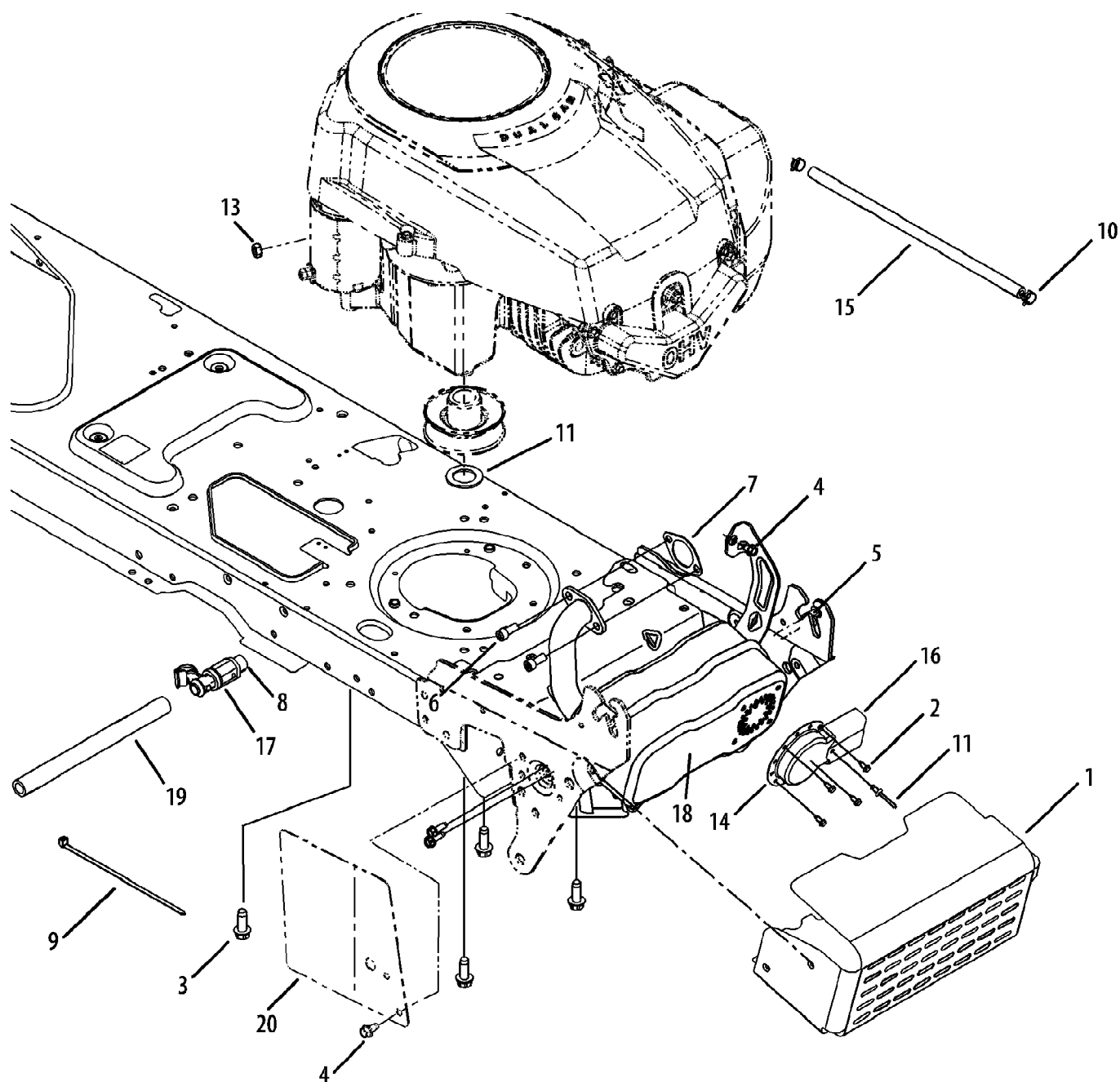


13AV61GG897 (2009)  
Engine Accessories Single



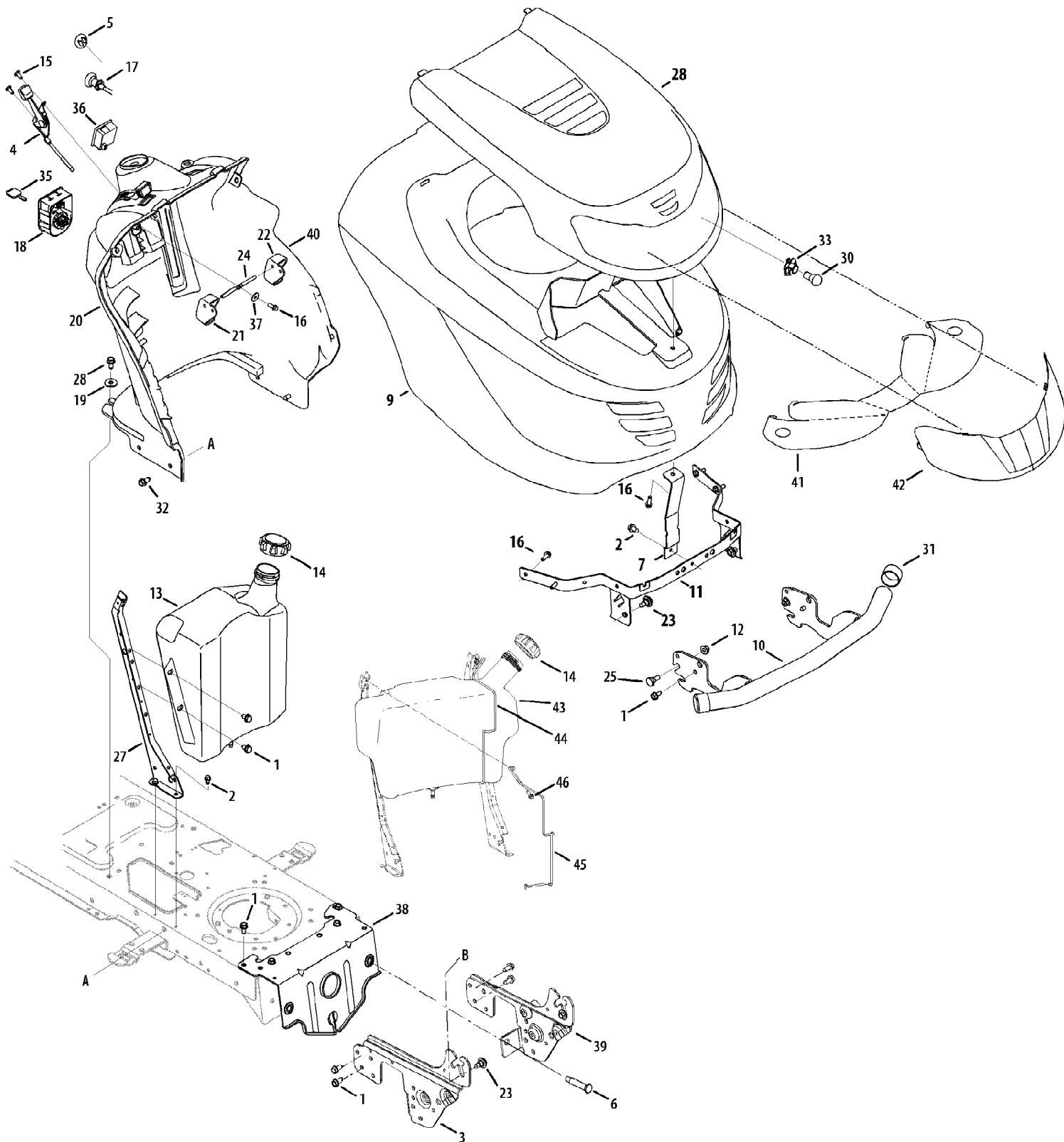
13AV61GG897 (2009)  
Engine Accessories Single

Page 2 of 23

Ref #	Part Number	Qty	S/P/F	Description
1	683-04549-0637	1	/P	Muffler Shield Assembly
2	710-0227	1	/P	Hex AB Scr #8-18 x .50
3	710-04683	1		TT Screw 3/8-16 x 1.00
4	710-0599	1	/P	Hex Wash S-Tapp Scr 1/4-20 x .50
5	710-0642	1	/P	Thd Forming Scr. 1/4-20 x .75 Lg.
6	710-1314A	1	/P	Scr. 5/16-18 x .75
7	BS-692236	1	/P	Exhaust Gasket
8	N/A	1		Pipe Seal ant Locktite 567 Purchased locally
9	725-0157	1	/P	Cable Tie
10	726-0205	1	/P	Hose Clamp
11	728-04000	1		Pop Rivet
13	712-0271	1	/P	Hex Sems Nut 1/4-20
14	751-0564B	1	/P	Muffler Deflector
15	751-10349-28	1	/P	Fuel Line
16	751-10353	1		Long Muffler Deflector
17	951-10517A	1	/P	Oil Drain
18	751-11022	1		Muffler
19	751-3141-14	1	/P	Oil Drain Hose
20	783-05106-0637	1	/P	Heat Shield

13AV61GG897 (2009)  
Hood & Grille

Page 3 of 23



13AV61GG897 (2009)  
Hood & Grille

Page 4 of 23

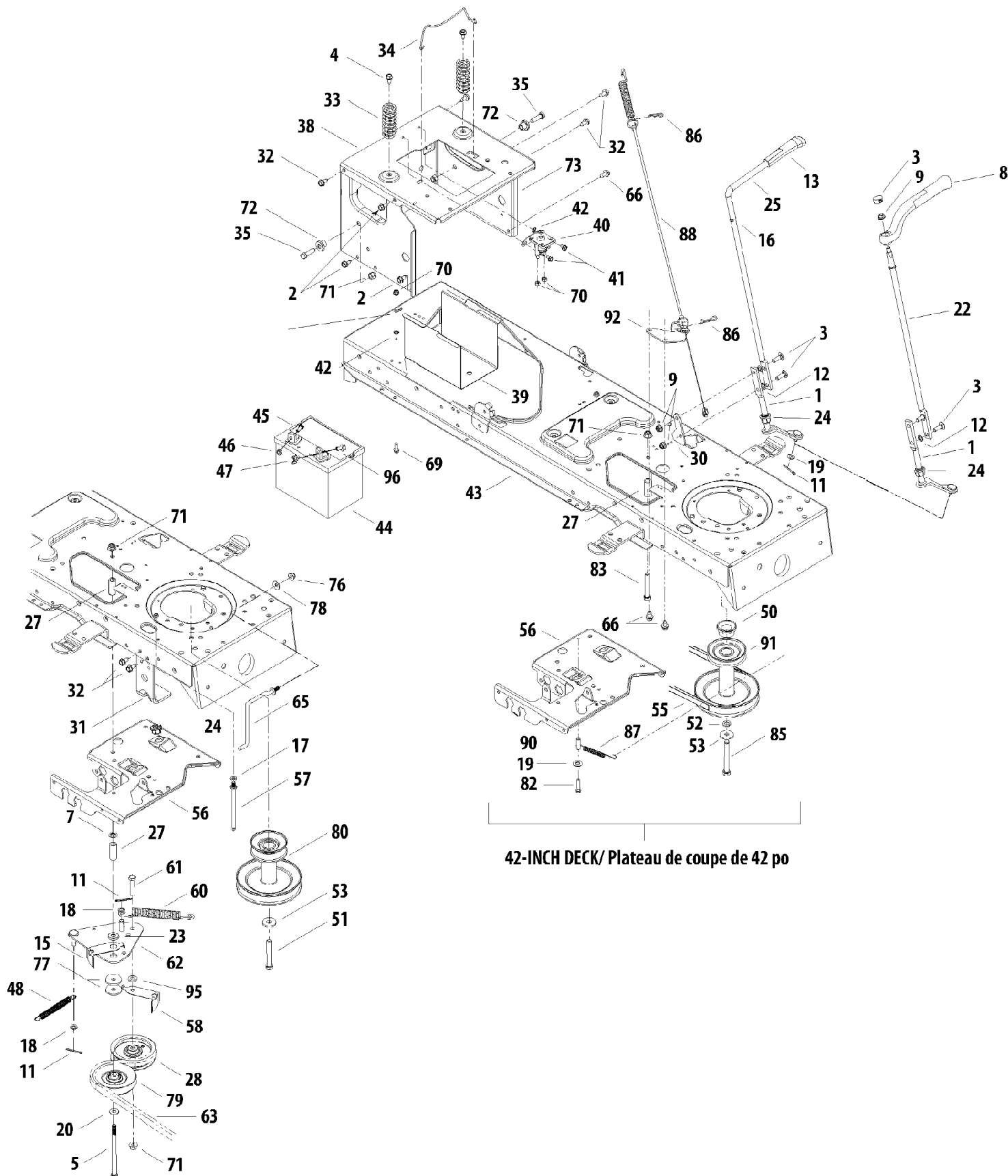
Ref #	Part Number	Qty	S/P/F	Description
1	710-04484	1		S-Tapp Scr 5/16-18 x .75
2	710-0599	1	/P	Hex Wash S-Tapp Scr 1/4-20 x .50
3	783-05328A-0637	1	/P	RH Pivot Support Bracket
4	746-04364	1		Throttle/Choke Cont. Cable 25" Lg. (Single)
4	946-04542	1	/P	Throttle/Choke Cont. Cable 46.5" Lg. (Twin)
5	731-1999	1		Choke Plug
6	738-04128	1		Shoulder Bolt .5 x 2.38, 3/8-16
7	783-06117-0637	1	/P	Hood Support Bracket
9	931-06538	1	/P	Grill Style "G" (w/side fill)
10	683-04219B-0637	1	/P	Bumper Assembly
11	783-04606C-0637	1	/P	Hood Pivot Bracket
12	912-3000	1	/P	Hex Lock-Nut 3/8-16 Gr.B
13	N/A	1		Fuel Tank 3 Gal. Not used in this application
14	751-0603A	1	/P	Cap-Fuel
15	710-1017	1	/P	Torx Mach. AB-Tapp Scr. 1/4-14 x .625 Lg
16	710-0895	1		Hex Tapp Scr 1/4 x .75" Lg.
17	746-1085A	1	S	Choke Cable 37.5" Lg.
18	925-04230B	1	/P	Ignition Switch
19	736-0701	1		Flat Washer
20	931-06495	1	/P	Dash Panel (Man. PTO w/fuel level window)
21	731-04214	1		Cruise Control Button
22	731-04213	1		Parking Brake Button
23	738-04091A	1	/P	Shoulder Screw .43 x .29, 5/16-18
24	747-1155	1		Pivot Rod
25	738-0143	1	/P	Shoulder Scr. .498 x .340: 3/8-16
27	783-04285F-0637	1	/P	RH Dash Support Plate
27	783-04323F-0637	1	/P	LH Dash Support Plate (not shown)
28	931-04308	1	/P	Upper "G" Style Hood
30	925-0963	1	/P	Miniature Lamp 12V Socket Type
31	731-05674	1		Bumper Cap
32	710-0726	1	/P	Screw 5/16-12 x .75
33	925-1649	1	/P	Socket
35	925-1745A	1	/P	Ignition Key w/Plastic Cover
36	725-04861	1		Wire Harness (w/Hour Meter)
37	936-0142	1	/P	Flat Washer .281 x .50 x .063
38	783-05326-0637	1	/P	Pivot Bar Bracket
39	783-05327B-0637	1	/P	LH Pivot Support Bracket
40	931-06495	1	/P	Dash Panel (Man. PTO w/fuel level window)
41	777x43285	1		Reflective Label
42	931-06564	1	/P	Lens (Style G)
43	951-10573	1	/P	Fuel Tank 2.75 Gal.
44	747-05050	1		Tank Support Rod LH
45	747-05049	1		Tank Support Rod RH
46	710-0642	1	/P	Hex TT Screw 1/4-20 x .75

No  
Diagram  
Available  
  
Parts List  
Only

13AV61GG897 (2009)  
Label Map V61GG

Page 6 of 23

Ref #	Part Number	Qty	S/P/F	Description
777CD30086	777CD30086	1		LABEL-REAR FENDER COLUMBIA
777CD30143	777CD30143	1		LABEL-HYD 42" FNDR COLUMBIA
777I22679	777I22679	1		LABEL-CHECK ENG OIL
777D13467	777D13467	1		LABEL-RIDER HOOD RH COLUMBIA
777X43688	777X43688	1		LABEL-ETHANOL
777S32356	777S32356	1		LABEL:RIDER SAFETY
777I22643	777I22643	1		LABEL-DECK BELT ROUTE 42"
777S30296	777S30296	1		LABEL:RIDER DECK:
777S32364	N/A	1		LBL:RDR:SFTY:IN-MOLD CHTE EURO Mold In Graphic
777D13471	777D13471	1		LABEL-RIDER LWR PNLS:V61GG
777X43285	777X43285	1		LABEL-REFLECTOR G STYLE
777I23082	777I23082	1		LABEL-RIDER NX-9 GAS GUAGE
777I20882	777I20882	1		LABEL-DASH THROTTL
777D13468	777D13468	1		LABEL-RIDER HOOD LH COLUMBIA
777I20802	777I20802	1		LABEL-RT-99 HTCHPLT
777I23163	777I23163	1		LABEL-RIDER CANADA PTO
777I22896	777I22896	1		LABEL-RIDER CAP:SCR WHL:DGRM:CDN
777I23165	777I23165	1		LABEL-RIDER RT99 DECK HT POD
777S32545	777S32545	1		LABEL-RIDER SAFETY

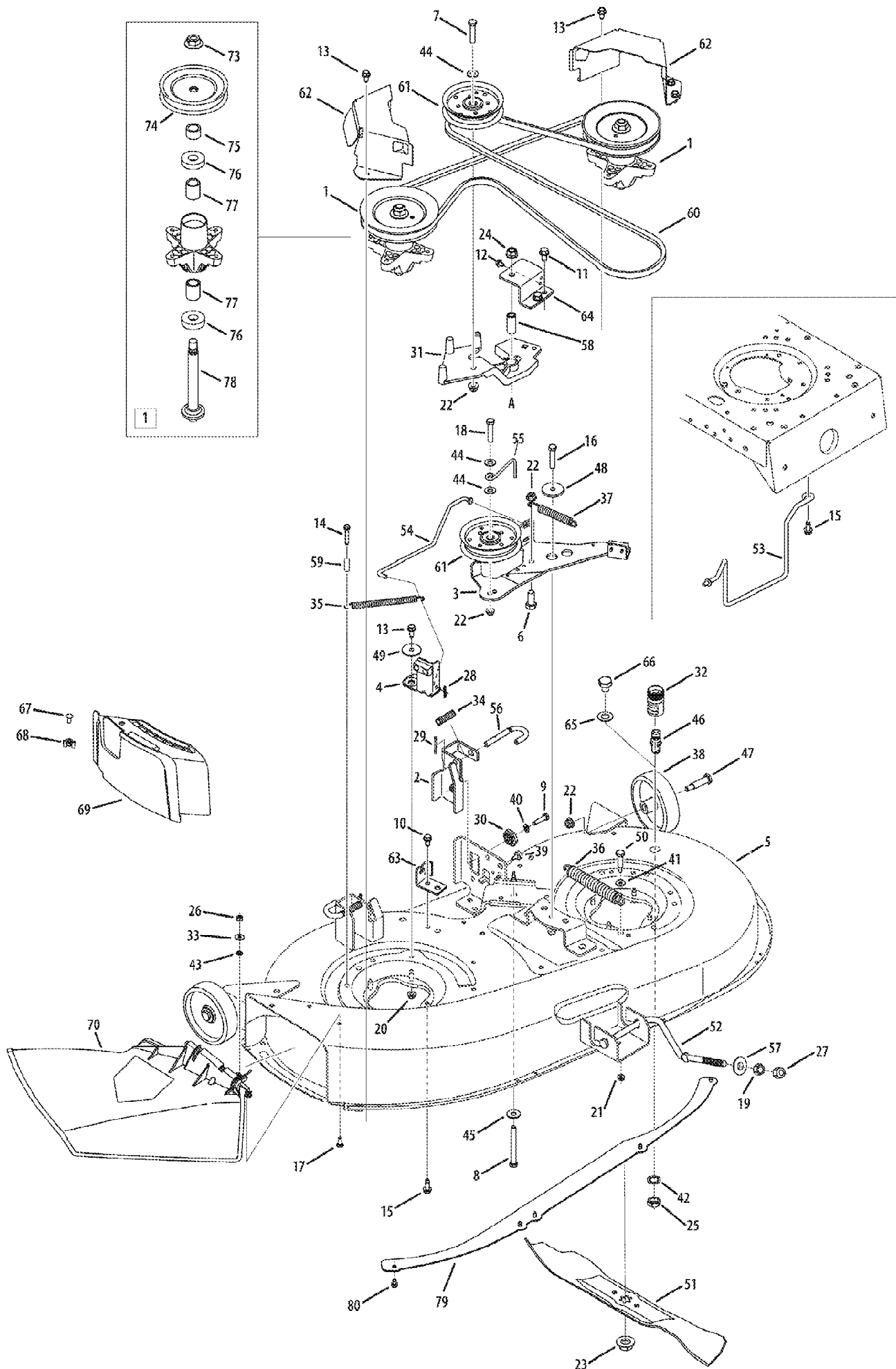


Ref #	Part Number	Qty	S/P/F	Description
1	947-04036A	1	/P	PTO Engage Lever Assembly
2	710-04484	1		Hex TT Scr. 5/16-18 x .75
3	710-0276	1	/P	Carriage Bolt 5/16-18 x 1.00" Lg
4	710-1260A	1	/P	Hex Wash HD AB Tap Scr 5/16-12 x .75
5	710-0831	1		Hex Cap Screw, 3/8-16 x 1.5
7	712-0229	1		Push Nut Bolt Retainer
8	647-04147	1		PTO Knob
9	712-3004A	1	/P	Hex Flange L-Nut 5/16-18
11	914-0115	1	/P	Cotter Pin 1/8" Dia x 1.00
12	726-0201	1		Push Speed Nut
13	731-2111B	1	/P	PTO Knob
15	732-04245A	1		Belt Guard
16	936-0108	1	/P	Flat Washer .510 ID x .75 OD x .033
17	936-0119	1	/P	L-Wash 5/16 ID
18	936-0140	1	/P	Flat Washer .385 ID x .62 OD x .06
19	736-0173	1	/P	Flat Washer .28 ID x .74 OD x .063
20	936-0300	1	/P	Flat Washer .385 ID x .87 OD x .06
21	720-0425	1		Cap Plug .812 dia.
22	747-04855	1		Deck Engagement Handle
23	738-0372B	1	/P	Shoulder Spacer
24	741-0708	1		Hex Split Flange Bearing .50 ID
25	747-04470	1		Deck Engagement Handle
27	748-0415B	1	/P	Spacer .385 ID x .635 OD x 1.54
28	756-0627D	1	/P	Flat Idler Pulley 3.5 OD
30	783-0744A-0637	1	/P	Engagement Stop Bracket
31	783-04467-0606	1		Deck Stop
32	710-0726	1	/P	Hex Wash HD AB Tap Scr 5/16 x .75
33	732-04035	1		Compression Spring 1.28 x 3.125
34	747-04121A	1		Battery Retainer Rod
35	710-3005	1	/P	Hex Bolt 3/8-16 x 1.25
38	783-06089-0606	1		Frame Seat Bracket
39	783-0349-0637	1		Battery Tray
40	925-1426A	1	/P	Solenoid
41	710-0599	1	/P	Hex Wash S-Tapp Scr 1/4-20 x .50
42	936-0222	1	/P	Ext. L-Washer 1/4 ID
43	683-04173B-0606	1		Lower Frame Assembly
44	925-1707D	1	/P	Battery 245 CCA (Dry)
45	710-0703	1	/P	Carriage Bolt 1/4-10 x .75
46	712-0271	1	/P	Sems Hex Nut 1/4-20
47	712-3087	1	/P	Wing Nut 1/4-20 Thd.
48	732-04197	1	/P	Extension Spring .50 x 5.0
50	750-0956	1		Spacer 1.010 x 1.4 x .825
51	710-04377	1		Hex Bolt 7/16-20 x 2.75 Gr. 5
52	736-0322	1	/P	Flat Washer .450 x 1.25 x .164
53	936-0171	1	/P	Lockwasher 7/16 ID
55	954-0497	1	/P	PTO Belt (w/42" deck)
56	783-04612-0637	1	/P	Steering Support Bracket
57	711-1044A	1	/P	Keeper Pin 5/16 x 4.75
58	732-1013	1		Belt Guard
60	732-0944	1		Extension Spring .75 x 6.75
61	710-1007	1	/P	Hex TT Sems Scr. 3/8-16 x 1.5
62	683-0302	1	/P	PTO Engagement Plate
63	754-04064	1		Belt (w/46" Deck)



Ref #	Part Number	Qty	S/P/F	Description
65	747-04355	1		Belt Keeper Rod
66	710-0607	1	/P	Hex Wash HD S-Tapp Scr 5/16-18 x .50
68	936-0329	1	/P	L-Wash 1/4 ID
69	710-0642	1	/P	Thd Forming Scr. 1/4-20 x .75 Lg.
70	712-04064	1	/P	Hex L-Flanged Nut 1/4-20 Gr. F Nylon
71	712-04065	1	/P	Flange Lock-Nut 3/8-16 Gr. F Nylon
72	738-04058	1		Shoulder Spacer .38 x 1.0 x .70
73	783-04809C-0606	1		Upper Frame
77	936-0227	1	/P	Flat Washer .39 ID x 1.5 OD x .135
78	736-0242	1	/P	Cupped Washer .345 ID x .88 OD x .060
79	756-0487	1	/P	4" Dia. V-Idler
80	956-04207	1	S	Engine Pulley 3.39 x 6.12 Dia 46" Trans.
80	756-04208A	1	/P	Engine Pulley 3.56 x 6.12 Dia 46" Hydro
82	710-0778	1	/P	Hex Bolt 1/4-20 x 1.5
83	710-0859	1	/P	Hex Cap Screw, 3/8-16 x 2.5
85	710-04608	1		Hex Bolt 7/16-20 x 3.25 Gr. 5
86	714-04040	1		Bow Tie Cotter Pin
87	732-04248	1		Extension Spring .38 OD x 3.9 Lg.
88	746-04353A	1	S	Deck Engage Cable
90	750-0566A	1	/P	Spacer .260 x .375 x 1.030 Lg.
91	756-04196A	1	/P	Engine Pulley 3.39 x 6.12 dia 42" Trans
91	956-04067A	1	/P	Engine Pulley 3.56 x 6.12 Dia 42" Hydro
92	783-05358-0637	1		Cable Bracket
95	736-3010	1		Flat Washer .406 ID x .812 OD x .134
96	738-1132	1		Shoulder Screw, 1/4-20

13AV61GG897 (2009)  
Mower Deck 42 Inch



13AV61GG897 (2009)  
Mower Deck 42 Inch

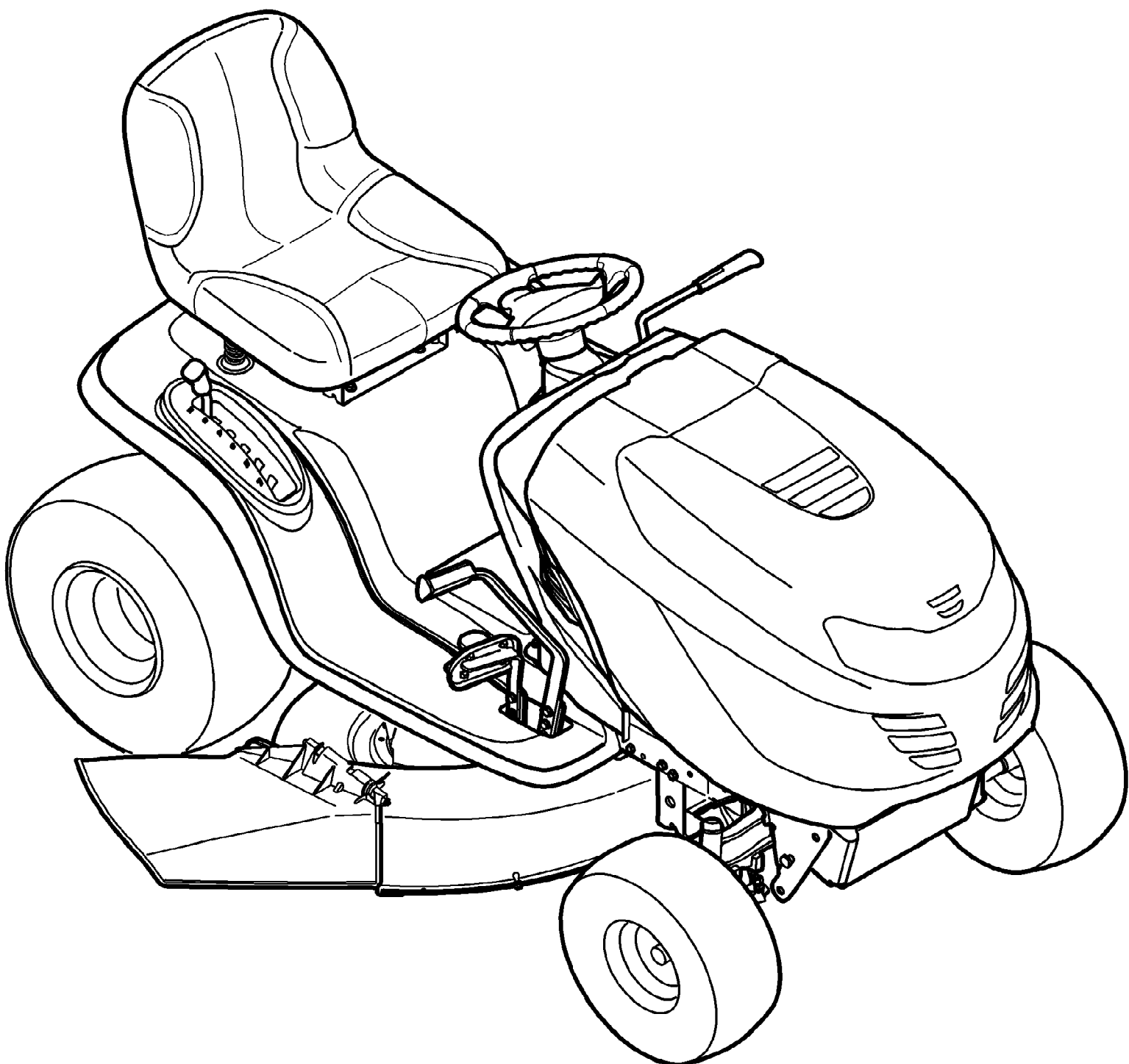
Page 11 of 23

Ref #	Part Number	Qty	S/P/F	Description
1	918-04456	1	S	Spindle Ass'y Pulley 6.3 Dia.
2	683-0254B-0606	1		Deck Adjustment Bracket w/Weld Nut
3	683-04138B-0606	1		Brake Assembly 42" Deck
4	983-04167	1	/P	Deck Brake Assembly
5	983-04261-0606	1	/P	Deck Ass'y 42" w/wh. brkt
6	710-0216	1	/P	Hex Cap Screw 3/8-16 x .75
7	710-0347	1	/P	Hex Screw 3/8-16 x 1.75
8	710-0510	1	/P	Hex Screw 1/4-20 X 2.00
9	710-0528	1	/P	Hex Bolt 5/16-18 x 1.25
10	710-04484	1		S-Tapp Scr 5/16-18 x .75
11	710-0623	1	/P	Hex S-Tapp Scr 3/8-24 X .50
12	710-0653	1	/P	Hex Wash HD Tapp Scr 1/4-20 x .375
13	710-3008	1	/P	Hex Hd. Cap Scr. 5/16-18 x .75
14	710-0778	1	/P	Hex Wash HD Bolt 1/4-20 x 1.50" Lg.
15	710-1260A	1	/P	Hex Wash. Hd. Scr. 5/16-18 x .75 Lg.
16	710-3005	1	/P	Hex Bolt 3/8-16 x 1.25
17	710-3015	1	/P	Hex Cap Bolt 1/4-20 x .75" Lg.
18	710-3144	1	/P	Hex Bolt 3/8-16 x 2.0" Lg. (Gr. 5)
19	912-0206	1	/P	Hex Nut 1/2-13
20	712-04063	1	/P	Flange Locknut 5/16-18 Gr. F, Nylon
21	712-04064	1	/P	Hex L-Flanged Nut 1/4-20 Gr. F Nylon
22	712-04065	1	/P	Flange Lock-Nut 3/8-16 Gr. F Nylon
23	712-0417A	1	/P	Hex Flange Nut 5/8-18
24	712-0459	1	/P	Flange Lock Nut, 7/16-20
25	912-0641	1	/P	Hex Nut M16-1.5 DIN 936
26	712-3006	1	/P	Hex Nut 1/4-20 Gr. 5
27	712-3083	1	/P	Hex Nut, 1/2-13
28	914-0104	1	/P	Int. Cotter Pin .072 x 1.13" Lg.
29	914-0470	1	/P	Cotter Pin 1/8" Dia x 1.25
30	917-04074	1	/P	Deck Adjustment Gear
31	N/A	1		Idler Bracket Not Used in this application
32	921-04041	1	/P	Water Nozzle Adaptor
33	726-0233	1	/P	Bolt Retainer 1/4" x .50" OD
34	932-0306A	1	/P	Compression Spring .531 OD x 1.75 Lg.
35	732-04287	1		Extension Spring .50 dia x 6.37
36	732-0459C	1	/P	Extension Spring .94 x 6.74
37	732-0470A	1	S	Ext. Spring 4.74" Lg.
38	734-0973	1	/P	Wheel Ass'y - Deck 5" x 1.38"
39	735-0271A	1	/P	Bumper
40	936-0119	1	/P	L-Wash 5/16 ID
41	736-0173	1	/P	Flat Washer .28 ID x .74 DE x .063
42	736-0225	1	/P	L-Washer Internal
43	736-0270	1	/P	Cupped Washer .265 ID x .75 OD x .062
44	936-0300	1	/P	Flat Washer .385 ID x .87 OD x .06
45	736-0322	1	/P	Flat Washer .450 x 1.25 x .164
46	737-04003D	1	/P	Port, Water
47	938-0373	1	/P	Shoulder Bolt .498 Dia x 1.53 x 3/8-16
48	738-04162A	1	/P	Shoulder Spacer .884 x .190
49	738-04166	1		Shoulder Spacer .50 x .1475
50	738-04272	1		Shoulder Screw .374 x 1.16
51	942-0616A	1	/P	3 in 1 Blade 21.23" Lg.
52	747-04269A	1	/P	Adjustable Front Deck Rod
53	747-04857	1	/P	Adjustable Front Deck Rod 42" Deck

13AV61GG897 (2009)  
Mower Deck 42 Inch

Page 12 of 23

Ref #	Part Number	Qty	S/P/F	Description
54	747-04501	1		Brake Control Rod 42"
55	747-04530	1		Belt Keeper Rod, 42" Idler
56	747-1116	1	/P	Deck Release Pin
57	748-04069	1		Deck Lift Pivot Cup
58	750-04637B	1		Spacer .455 x .697 x 1.585
59	750-0566A	1	/P	Spacer .260 x .375 x 1.030 Lg.
60	954-04045	1	/P	V-Belt
61	756-04129	1	S	Idler Pulley w/Flange 4.25 Dia
62	783-04327B-0606	1		Belt Covers 6.0 dia.
63	783-04740-0637	1		Cable Deck Engage Bracket
64	783-05490-0637	1		Support Bracket
65	736-0187	1	/P	Flat Washer .640 ID x 1.24 OD x .06
66	738-04146	1		Screw Plug M16 x 1.50
67	710-0134	1	/P	Carriage Bolt 1/4-20 x .62
68	712-3087	1	/P	Wing Nut 1/4-20 Thd.
69	731-2363	1	/P	Mulching Plug
70	931-1032B	1	/P	Chute Deflector (Plastic)
73	712-0417A	1	/P	Hex Flange Nut 5/8-18
74	956-1227	1	/P	Deck Pulley 6.3 Dia.
75	750-04739	1		Spacer .820 x 1.150 x .480
76	941-0919	1	/P	Ball Bearing 20 x 47 x 14:6204:DS
77	750-1000	1		Spacer .080 x 1.10 x 1.322" Lg.
78	938-04241	1	/P	Spindle Shaft 5.50" lg.
79	753-0884	1	/P	Deck Skirt 42"
80	710-0599	1	/P	Hex Wash S-Tapp Scr 1/4-20 x .50

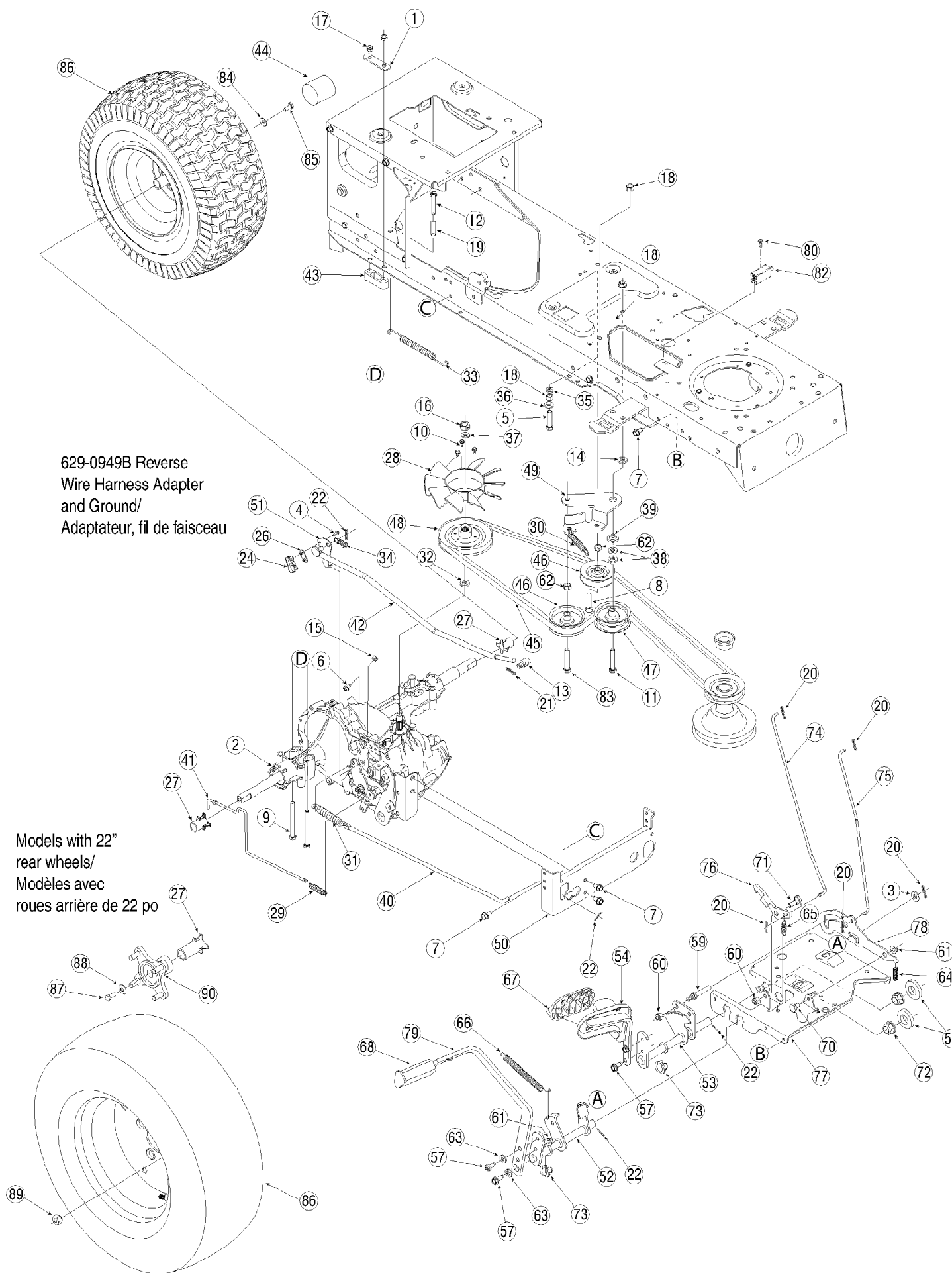


13AV61GG897 (2009)  
Quick Reference

Page 14 of 23

Ref #	Part Number	Qty	S/P/F	Description
	759-3336	1	/P	Spark Plug
	KH-12-050-01-S	1	/P	Oil Filter
	KH-32-883-03-S1	1	/P	Pre Filter - Twin Cylinder
	KH-20-883-02-S1	1	/P	Pre Filter - Single Cylinder
	KH-32-883-03-S1	1	/P	Air Filter- Twin Cylinder
	KH-20-883-02-S1	1	/P	Air Filter - Single Cylinder
	KH-25-050-22-S1	1	/P	Fuel Filter- Twin Cylinder
	KH-25-050-21-S	1	/P	Fuel Filter - Single Cylinder
	751-0603A	1	/P	Fuel Cap
	925-1426A	1	/P	Solenoid
	918-04456	1	S	Deck Spindles - 42 Inch
	918-0430B	1	S	Deck Spindles - 46 Inch
	918-04134C	1	S	Deck Spindles - 46 Inch Double Pulley
	942-0616A	1	/P	Blades - 42 Inch
	942-0611A	1	/P	Blades - 46 Inch Outer
	942-0612A	1	/P	Blades - 46 Inch Center
	712-0417A	1	/P	Blade Nuts
	734-0973	1	/P	Deck Wheels - 42 Inch
	734-0973	1	/P	Deck Wheels - 46 Inch
	923-0448A	1	/P	Ball Joints
	925-1745A	1	/P	Ignition Keys
	746-04353A	1	S	Deck Engagement Cable
	746-04364	1		Throttle Cable - Single
	946-04542	1	/P	Throttle Cable - Twin
	746-1085A	1	S	Choke Cable
	N/A	1		Upper Drive Belt
	954-0461	1	/P	Lower Drive Belt
	954-04045	1	/P	Deck Spindle Belt - 42 Inch
	954-0349	1	/P	Deck Spindle Belt - 46 Inch
	954-04122	1	/P	PTO Belt - 46 Inch
	925-04039	1	/P	Safety Switch - Brake
	925-04039	1	/P	Safety Switch - Deck
	931-1032B	1	/P	Discharge Chute
	731-2363	1	/P	Mulch Plug - 42 Inch
	731-05264	1		Mulch Plug - 46 Inch
	925-1707D	1	/P	Battery
		1		13AP61GG897 = SV710-0002 - Twin
		1		13AP61GH897 = SV715-0002 - Twin
		1		13AV61GG897 = SV540-0228 - Single

13AV61GG897 (2009)  
Rear Drive & Wheels



13AV61GG897 (2009)  
Rear Drive & Wheels

Page 16 of 23

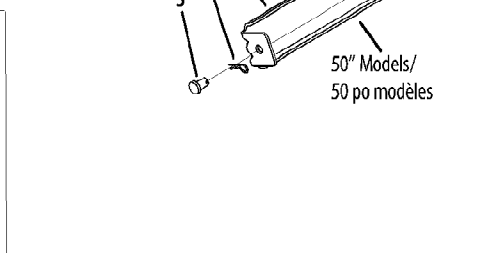
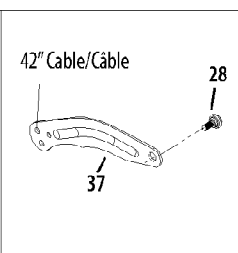
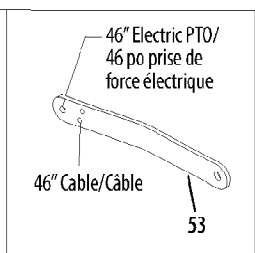
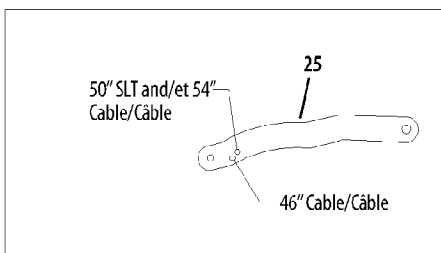
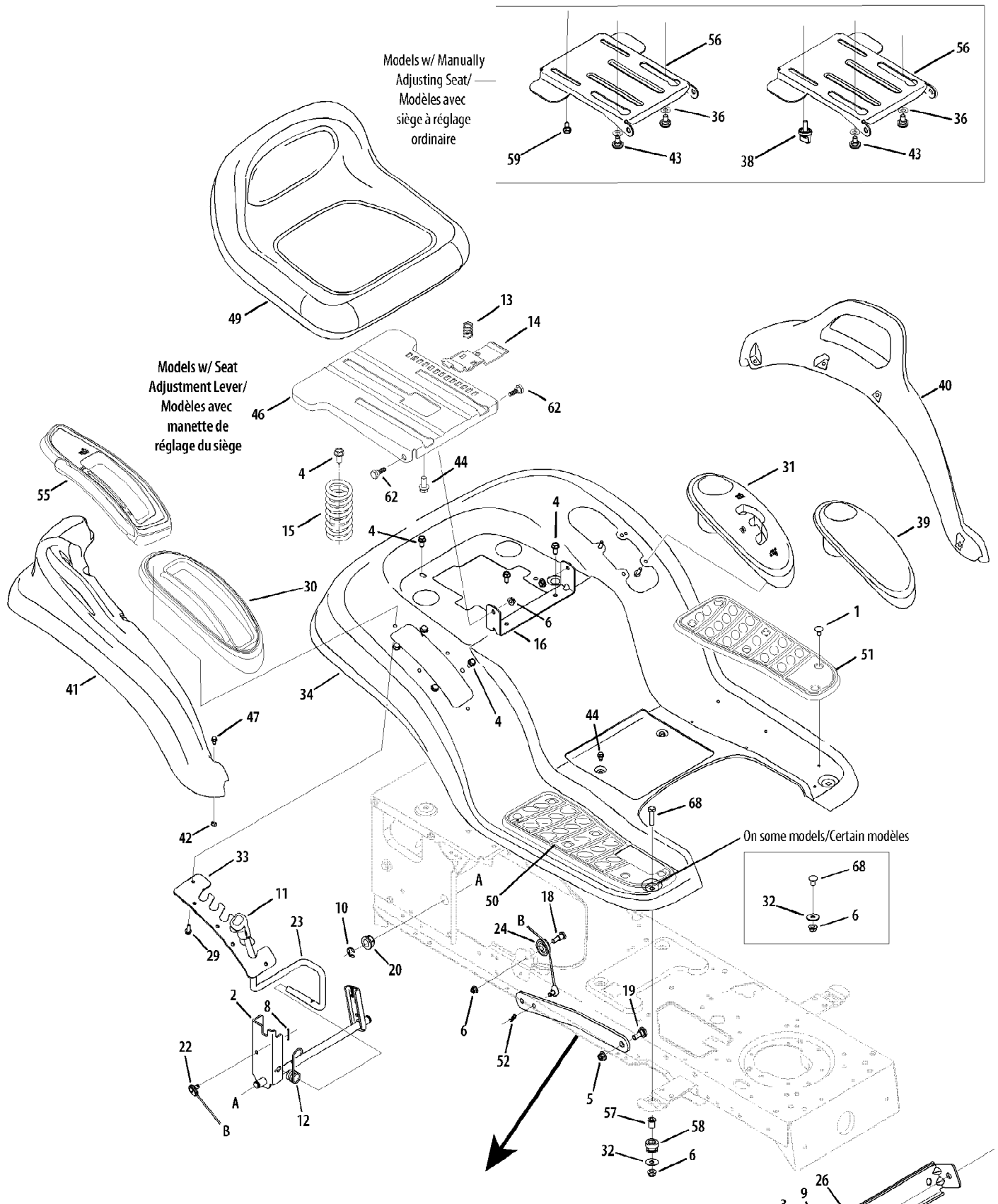
Ref #	Part Number	Qty	S/P/F	Description
1	17840-0637	1	/P	Transaxle Mtg. Brkt.
2	918-0319	1	/P	Hydrostatic Transmission
3	736-0262	1	/P	Flat Washer .385 x .870 x .092
4	710-0227	1	/P	Hex Wash HD AB S-Tapp Scr #8-.50
5	710-0520	1	/P	Hex Screw 3/8-16 x 1.50
6	710-0653	1	/P	Hex Wash HD Tapp Scr 1/4-20 x .375
7	710-0726	1	/P	Hex Wash HD AB Tap Scr 5/16-12 x .75
8	710-0502A	1	/P	Hex Washer Scr 3/8-16 x 1.25
9	710-1266	1	/P	Hex Bolt 5/16-18 x 3.5" Lg.
10	710-3007	1	/P	Hex Tap Scr #12 x .375
11	710-3011	1	/P	Hex Bolt 3/8-16 x 2.25" Lg.
12	710-0778	1	/P	Hex Wash HD Bolt 1/4-20 x 1.50" Lg.
13	711-0832	1	S	Adjustment Ferrule 3/8-24
14	736-0258	1	/P	Flat Washer .385 ID X 1.0 OD X .130
15	912-0291	1	/P	Hex Cent-L Nut 1/4-20
16	912-3066	1	/P	Hex Nut 1/2-20 Grade 5
17	712-04063	1	/P	Flange Locknut 5/16-18 Gr. F, Nylon
18	912-0431	1	/P	Hex. Flanged L-Nut 3/8-16 Gr. F
19	750-0566A	1	/P	Spacer .260 x .375 x 1.030 Lg.
20	914-0104	1	/P	Cotter Pin .072 Dia. x 1.13
21	914-0507	1	/P	Cotter Pin 3/32 x .75
22	914-0111	1	/P	Cotter Pin 3/32 dia x 1.00 Lg.
24	725-1644	1		Short Spring Switch
26	926-0320	1	/P	Insulator Nut Plate
27	731-05299	1		Sleeve 0.765 x 1.5" Lg.
28	931-1449A	1	/P	Fan
29	932-0209	1	/P	Extension Spring .47 OD x 2.03 Lg.
30	732-04323B	1	/P	Extension Spring
31	732-0716D	1	/P	Ext. Spring .59 OD x 4.00 Lg.
32	732-0729	1	/P	Wire Ring
33	732-0994	1		Extension Spring .75 x 5.39
34	732-3118	1		Extension Spring 3/8 x 1.44
35	936-0169	1	/P	L-Wash 3/8 ID
36	936-0300	1	/P	Flat Washer .385 ID x .87 OD x .06
37	936-0921	1	/P	L-Washer 1/2" ID
38	736-3010	1		Flat Washer .406 ID x .812 OD x .134
39	738-0372B	1	/P	Shoulder Spacer
40	747-04139	1		Brake Rod
41	747-1149	1		Hydrostatic By pass Rod
42	747-1151	1		Hydrostatic Control Rod
43	948-0334	1	/P	Transaxle Spacer
44	731-05674	1		Hub Cap
45	954-0461	1	/P	V" Belt
46	756-04209	1	/P	Pulley, V-Type Drive 3.06
47	756-04224	1	/P	Idler Pulley, Flat 2.75 OD
48	756-04111	1		Input Pulley
49	783-04442-0637	1		Idler Bracket
50	783-0810B-0637	1	/P	Transmission Torque Bracket
51	783-1019B	1	/P	Switch Ac tu a tor Bracket
52	647-04100-0637	1	/P	Brake Control Assembly
53	647-0049A-0637	1	/P	Drive Control Assembly
54	683-0267C	1	/P	Hydro Pedal Assembly
56	736-0187	1	/P	Flat Washer .440 ID x 1.24 OD x .06



13AV61GG897 (2009)  
Rear Drive & Wheels

Page 17 of 23

Ref #	Part Number	Qty	S/P/F	Description
57	710-1260A	1	/P	Hex Wash. Hd. Scr. 5/16-18 x .75 Lg.
59	711-04159B	1		Pin 3/8-16 x 2.68 Lg.
60	712-04065	1	/P	Flange Lock-Nut 3/8-16 Gr. F Nylon
61	712-3004A	1	/P	Hex Flange L-Nut 5/16-18
62	912-0240	1	/P	Hex Jam Nut 7/16-20
63	936-0119	1	/P	L-Wash 5/16 ID
64	732-0335	1		Compression Spring
65	732-0955	1		Extension Spring, .50 OD x 1.41
66	732-0963	1		Extension Spring, .50 Dia. x 6.37
67	735-0662	1		AutoDrive Pedal Pad
68	735-3049A	1	/P	Brake Pad
70	938-0155	1	/P	Shld. Scr .437 Dia x .162 Lg.
71	938-0380	1	/P	Shoulder Screw .500 x .25
72	941-0225	1	/P	Hex Flange Bearing .630 ID
73	741-3065B	1	/P	Hex Flanged Bearing .628 ID
74	747-04093A	1		Brake Lock Rod
75	747-04096	1		Cruise Control Rod
76	748-04039C	1		Cruise Control Latch
77	783-04612-0637	1	/P	Steering Support Bracket
78	783-0663E	1	/P	Drive Lock out Bracket
79	747-04641A-0637	1	/P	Brake Pedal
80	738-04237A	1		Shoulder Scr #10-32 x .50" Lg.
82	925-04039	1	/P	Inter lock Switch
83	710-1007	1	/P	Hex L-Wash HD Scr 3/8-16 x 1.5
84	736-0242	1	/P	Cupped Washer .345 ID x .88 OD x .060
85	710-0627	1	/P	Hex L-Bolt 5/16-24 x .75 Gr. 5
86	634-0104-0911	1	/P	Wheel Assembly 13AV Model
86	734-1730-0901	1	/P	Tire Only 13AV Model Not shown
86	934-0070-0662	1	/P	Rim Only 13AV Model Not shown
86	934-0255	1	/P	Valve 13AV Model Not shown
86	634-0177-0911	1	/P	Wheel Assembly 13AP Models
86	734-1873-0901	1	/P	Tire Only 13AP Models Not shown
86	934-0070-0662	1	/P	Rim Only 13AP Models Not shown
86	934-0255	1	/P	Valve 13AP Models Not shown
87	710-0627	1	/P	Hex Hd. Cap Scr. 5/16-24 x .75 Gr. 5
88	736-0242	1	/P	Cupped Washer .340 x .872 x .060
89	712-3050	1	/P	Lug Nut 7/16-14
90	918-04270B	1	/P	Wheel Hub Ass'y
	725-0157	1	/P	Cable Tie (Not Shown)
	926-0154	1	/P	Push Mount Tie (Not Shown)



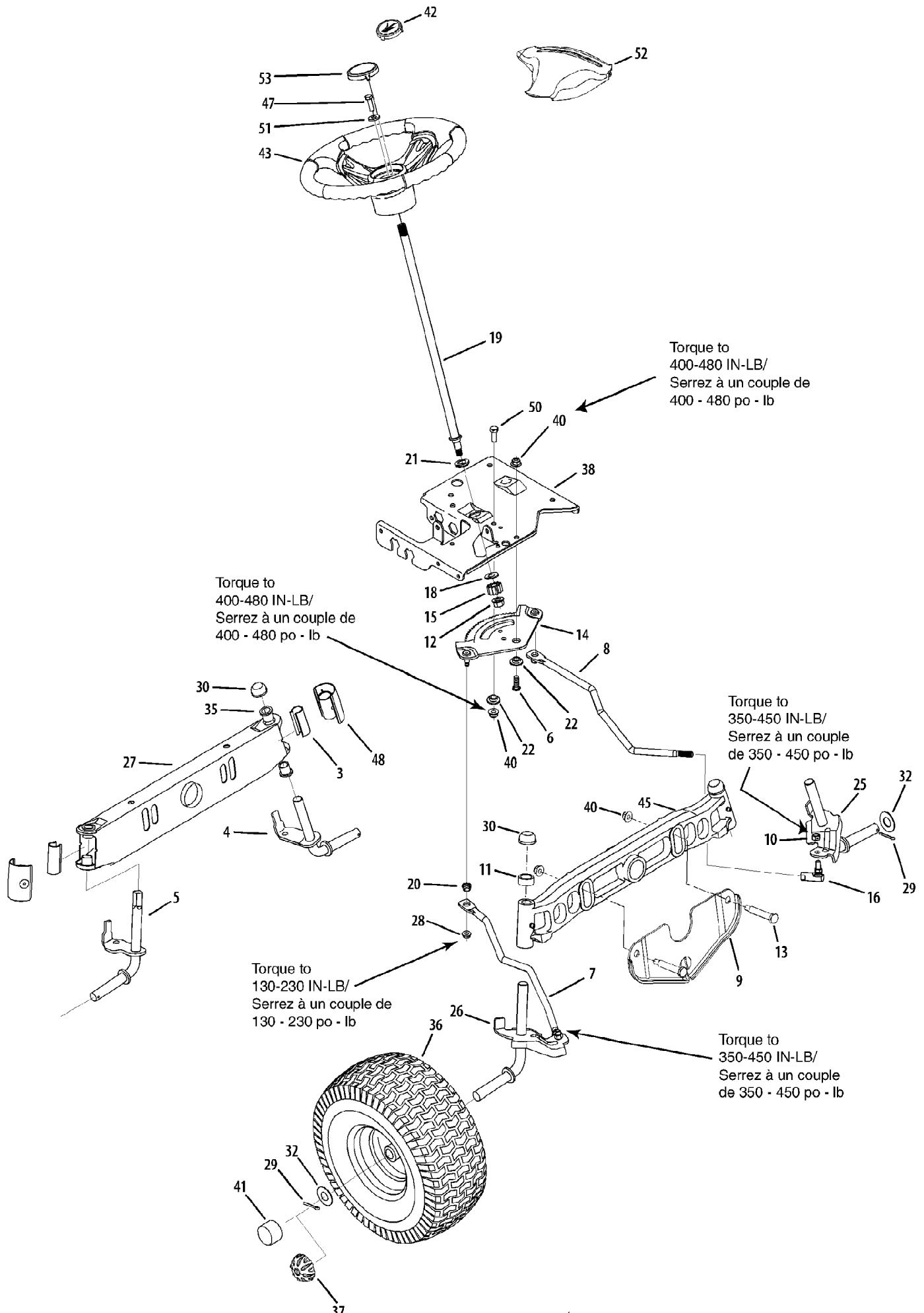
13AV61GG897 (2009)  
Seat & Fender Assembly

Page 19 of 23

Ref #	Part Number	Qty	S/P/F	Description
1	710-0451	1	/P	Carriage Bolt 5/16 x 18 x .75" Lg.
2	683-04223-0637	1	/P	Lift Shaft Assembly(42" and 46" Deck)
3	911-0332	1	/P	Clevis Pin
4	710-04484	1		S-Tapp Scr 5/16-18 x .75
5	712-04065	1	/P	Hex Flange Locknut 3/8-16 Gr. F,Nylon
6	712-04063	1	/P	Hex Flange Locknut 5/16-18 Gr. F Nylon
7	712-3004A	1	/P	Flg. L-Nut 5/16-18 Gr. 5
8	914-0104	1	/P	Int. Cotter Pin 5/16 Dia.
9	914-04023	1	/P	Internal Cotter Pin .080 x 1.5625
10	716-0106A	1		E-ring
11	720-0311	1		Handle Grip
12	732-0874	1	/P	Torsion Spring
13	732-04563	1		Compression Spring .68 x 1.065 x .055
14	783-06050	1		Seat Adjustment Lever
15	732-04561	1		Compression Spring 1.71 x 3.735 x .238
16	783-06088-0606	1		Seat Pivot Bracket
18	738-0138A	1	/P	Shoulder Scr. .437 Dia x .47
19	938-0380	1	/P	Shoulder Screw .500 x .25 (46"/50")
20	941-0225	1	/P	Hex Flange Bearing .630 ID
22	746-0968	1		Lift Cable, 16.16
23	747-04447	1		Lift Handle
24	756-1154	1		Roller Pulley
25	783-04963A-0637	1		Arm Lift (46" deck w/manual PTO & 50" deck)
26	783-0720C-0637	1	/P	Deck Stabilizer Bracket
28	738-04130	1		Shoulder Screw .625 x .175: 3/8-16
29	710-0895	1		Hex Scr. 1/4-15 x .75
30	731-06795	1		Lift Lever Cover
31	931-2104C	1	/P	Shift Lever Cover w/Cup Holder
32	736-3078	1	/P	Flat Washer .344 ID x 1.0
33	783-0677B-0637	1	/P	Lift Adjustment Bracket
34	783-06246-0606	1		Fender
36	936-0300	1	/P	Flat Washer .406 x .875 x .059
37	783-04494B-0637	1	S	Deck Lift Arm RH (42" Deck)
37	783-04711B-0637	1	S	Deck Lift Arm LH (Not Shown)
38	720-04061	1		Knob, 3/8-16 x .625
39	731-1993A	1		Cover w/Cup Holder
40	731-2619	1		LH Fender Flare
41	731-2618	1		RH Fender Flare
42	712-0271	1	/P	Sems Hex Nut 1/4-20
43	738-04012A	1	/P	Shoulder Spacer .625 x .175, 3/8-16
44	710-04482	1		Hex Flg. Bolt 3/8-16 x.875
45	938-0296	1	/P	Shoulder Bolt .437 Dia. x .268
46	783-06049-0606	1		Seat Mounting Bracket
47	710-0932	1	/P	Carriage Bolt 1/4-20 x 1.00" Lg.
49	757-04086	1		High Back Seat Black
50	735-0656	1		RH Foot Pad
51	735-0657	1		LH Foot Pad
52	914-0111	1	/P	Cotter Pin 3/32 dia. x 1.00 Lg.
53	783-05546-0637	1	S	Arm Lift (46"/54" deck w/elec tric PTO)
55	N/A	1		Lift Lever Cover (Model 60R) Not used in this application
56	783-04081C-0637	1	/P	Seat Pivot Bracket, Manually Adjusted

13AV61GG897 (2009)  
Seat & Fender Assembly

Ref #	Part Number	Qty	S/P/F	Description
57	735-0690	1		Grommet
58	750-3310	1		Flg. Spacer .3125 x .4375 x .625
59	710-0870	1	/P	Hex Wash Hd Scr. 3/8-16 x .625 Gr. 5



13AV61GG897 (2009)  
Steering Assembly

Page 22 of 23

Ref #	Part Number	Qty	S/P/F	Description
1	683-04173B-0606	1		Lower Frame Assembly
3	731-04057A	1		Axle End Cap - Std.
4	938-04006A-0637	1	/P	LH Axle Assembly, .750 Dia. (42" Deck) use with steel Pivot Bar
5	938-04005A-0637	1	/P	RH Axle Assembly, 750 Dia. (42" Deck)
6	710-04095	1		Hex Cap Screw 3/8-16 x 1.00 Gr. 5 Spec.
7	711-1408	1		RH Drag Link
8	711-1409A	1	/P	LH Drag Link
9	783-04568-0637	1		Front Deck Hanger Brkt. (Style 6)
10	912-0214	1	/P	Hex Cent. L-Nut 3/8-24
11	748-04068	1		Spacer .71 ID x .125 OD x .56" Lg.
12	712-0459	1	/P	Flange Lock Nut, 7/16-20
13	738-04128	1		Shoulder Bolt .50 x 2.38: 3/8-16
14	917-1550E	1	S	Steering Gear, 11/90 Ra tio
15	717-1554	1		Steering Pinion Gear
16	923-0448A	1	/P	Ball Joint, 7/16 - 20
18	736-3084	1	/P	Fl. Washer .510 x 1.120 x .060
19	738-04263	1		Steering Shaft, .625 OD x 24.25
20	941-0475	1	/P	Plastic Bushing .380 ID
21	741-04237B	1	/P	Hex Flange Bearing, 5/8
22	738-04154	1		Shoulder Spacer
25	638-04003AP	1	/P	LH Axle Assembly, .750 Dia. (46" deck) use with Cast Iron Pivot Bar
25	938-04006A-0637	1	/P	LH Axle Assembly, .750 Dia. (42" deck) use with Cast Iron Pivot Bar
26	938-04004A	1	/P	RH Axle Assembly, .750 Dia. (46" deck) use with Cast Iron Pivot Bar
26	938-04005A-0637	1	/P	RH Axle Assembly, .750 Dia. (42" deck) use with Cast Iron Pivot Bar
27	683-0128B-0637	1	/P	Pivot Bar
28	712-3004A	1	/P	Hex Flange L-Nut 5/16-18 Gr. 5
29	714-04039	1		Cotter Pin 5/32" Dia. x 1.25
29	714-0162	1	/P	Cotter Pin 5/32" Dia. x 1.25
30	726-0341	1	/P	Push Cap, .750
32	736-0316	1	S	Flat Washer .780 ID X 1.56 OD
32	736-04228A	1		Flat Washer .781 ID x 1.90 OD
35	741-0660A	1	/P	Flange Bearing .760 ID x .937 OD
36	634-04199-0911	1		Wheel Assembly
36	734-1731-0901	1	/P	Tire Only Not shown
36	934-04091A-0662	1	/P	Rim Only Not shown
36	934-0255	1	/P	Valve Not shown
37	731-2290A	1	/P	Hub Cap
38	783-04612-0637	1	/P	Steering Support Bracket
39	738-0143	1	/P	Shld. Scr. .500 Dia. X .335" Lg.
40	712-04065	1	/P	Hex Flange L-Nut 3/8-16 Gr. F
41	731-05674	1		Cap
42	731-04040	1		Steering Wheel Cap - Small w/logo
43	631-04008A	1	/P	Steering Wheel - 3 Spokes Soft Grip
45	719-04177A	1		Cast Iron Pivot Bar (.750 dia.)
47	710-0643	1	/P	Hex Screw 5/16-18 X 1.00 Spe cial

13AV61GG897 (2009)  
Steering Assembly

Page 23 of 23

Ref #	Part Number	Qty	S/P/F	Description
48	931-1291A	1	/P	Pivot Bar End Cap
50	710-0514	1	/P	Hex Screw 3/16 x 1.00
51	936-3004	1	/P	Flat Washer .406 ID x .875 OD x .105
52	731-04065A	1		Steering Wheel Cover - MTD
53	N/A	1		Steering Wheel Cap Not used in this application