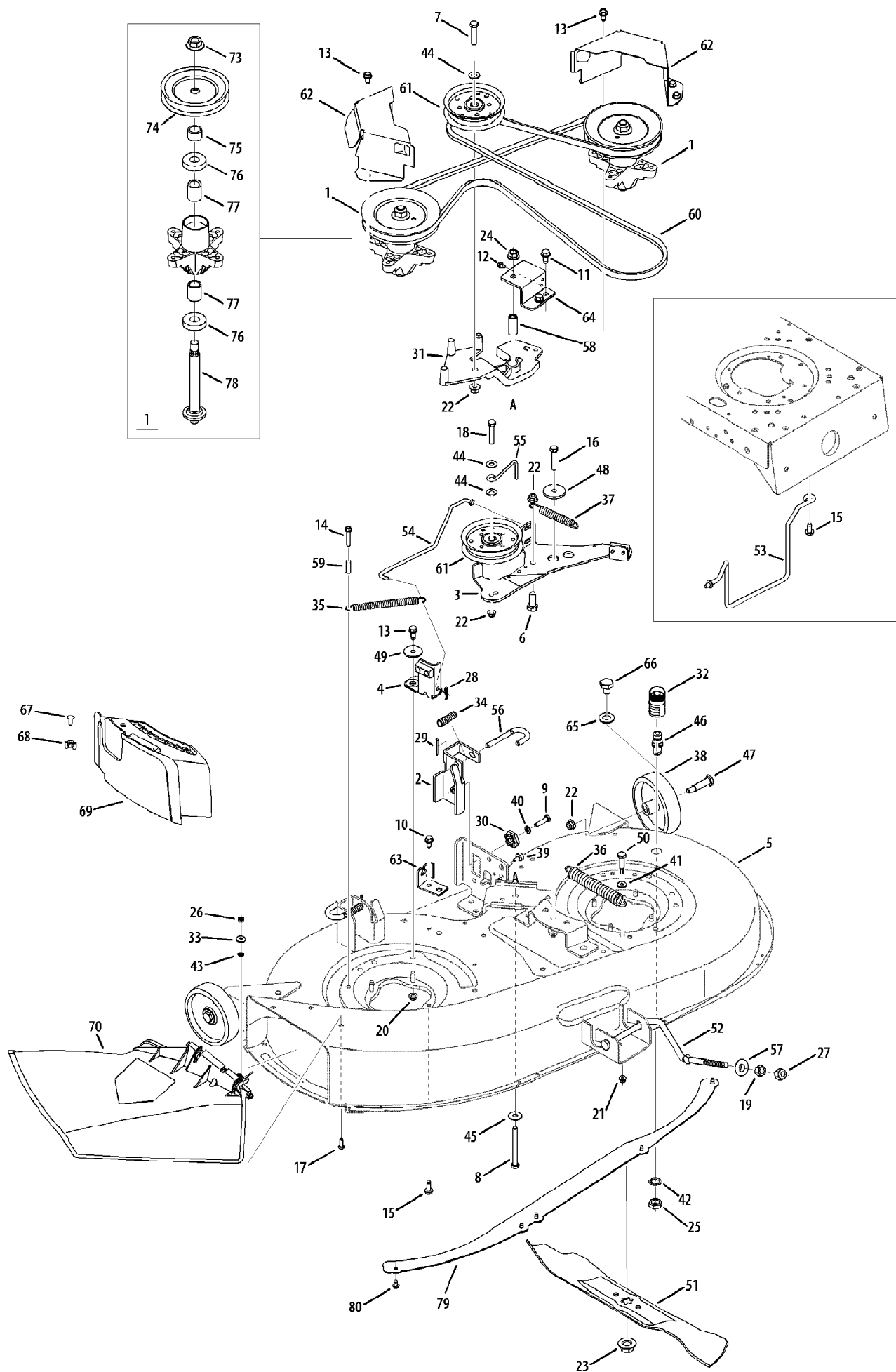


13AV60GG897 (2009)
Deck Assembly



13AV60GG897 (2009)
Deck Assembly

Page 2 of 24

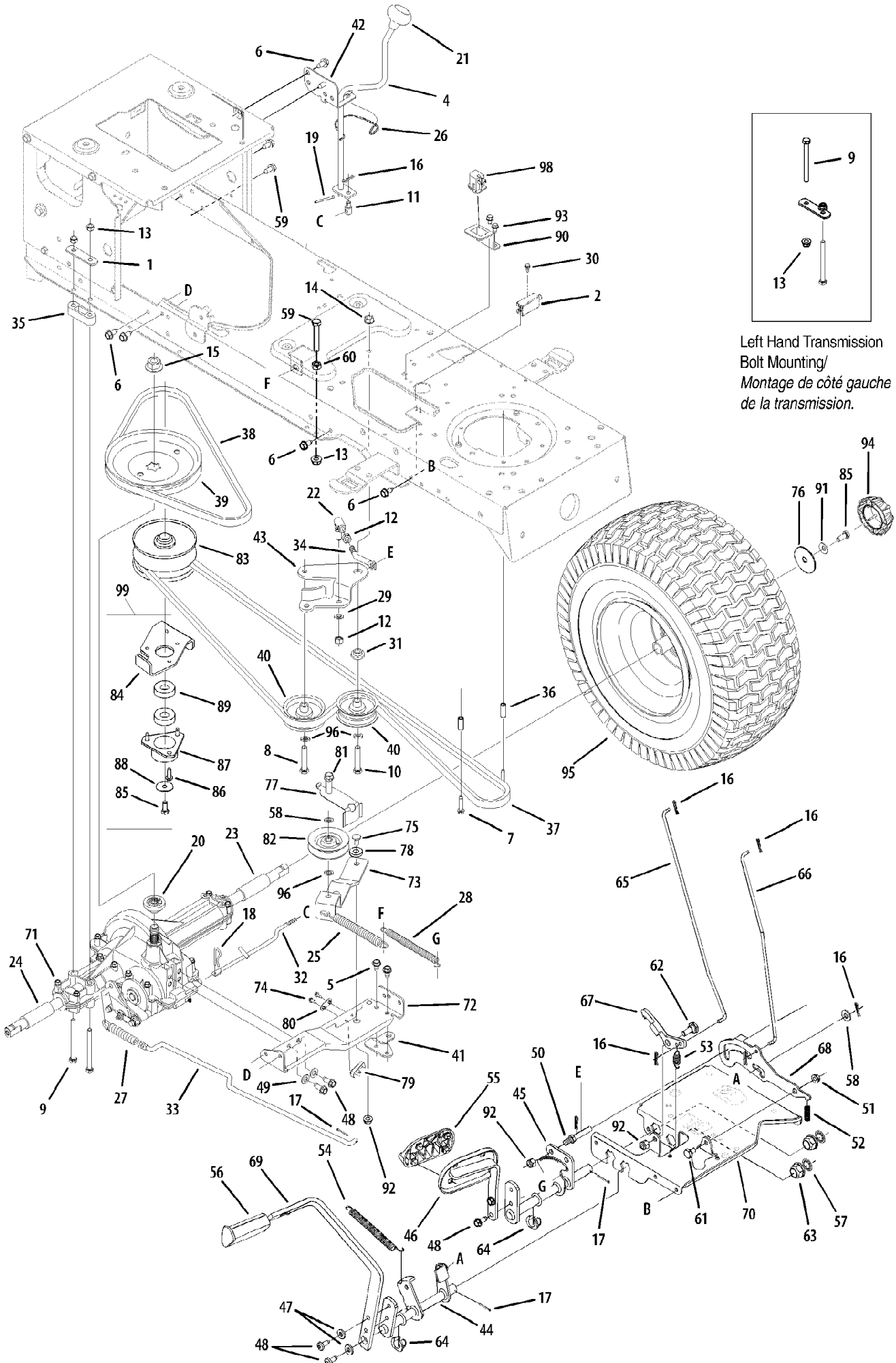
Ref #	Part Number	Qty	S/P/F	Description
1	918-04456	1	S	Spindle Ass'y Pulley 6.3 Dia.
2	683-0254B-0606	1		Deck Adjustment Bracket w/Weld Nut
3	683-04138B-0606	1		Brake Assembly 42" Deck
4	983-04167	1	/P	Deck Brake Assembly
5	983-04261-0606	1	/P	Deck Ass'y 42" w/wh. brkt
6	710-0216	1	/P	Hex Cap Screw 3/8-16 x .75
6	710-0514	1	/P	Hex Cap Screw 3/8-16 x 1.0
7	710-0347	1	/P	Hex Screw 3/8-16 x 1.75
8	710-0510	1	/P	Hex Screw 1/4-20 X 2.00
9	710-0528	1	/P	Hex Bolt 5/16-18 x 1.25
10	710-04484	1		S-Tapp Scr 5/16-18 x .75
11	710-0623	1	/P	Hex S-Tapp Scr 3/8-24 X .50
12	710-0653	1	/P	Hex Wash HD Tapp Scr 1/4-20 x .375
13	710-3008	1	/P	Hex Hd. Cap Scr. 5/16-18 x .75
14	710-0778	1	/P	Hex Wash HD Bolt 1/4-20 x 1.50" Lg.
15	710-1260A	1	/P	Hex Wash. Hd. Scr. 5/16-18 x .75 Lg.
16	710-3005	1	/P	Hex Bolt 3/8-16 x 1.25
17	710-3015	1	/P	Hex Cap Bolt 1/4-20 x .75" Lg.
18	710-3144	1	/P	Hex Bolt 3/8-16 x 2.0" Lg. (Gr. 5)
19	912-0206	1	/P	Hex Nut 1/2-13
20	712-04063	1	/P	Flange Locknut 5/16-18 Gr. F, Nylon
21	712-04064	1	/P	Hex L-Flanged Nut 1/4-20 Gr. F Nylon
22	712-04065	1	/P	Flange Lock-Nut 3/8-16 Gr. F Nylon
23	712-0417A	1	/P	Hex Flange Nut 5/8-18
24	712-0459	1	/P	Flange Lock Nut, 7/16-20
25	912-0641	1	/P	Hex Nut M16-1.5 DIN 936
26	712-3006	1	/P	Hex Nut 1/4-20 Gr. 5
27	712-3083	1	/P	Hex Nut, 1/2-13
28	714-0104	1	S	Int. Cotter Pin .072 x 1.13" Lg.
29	914-0470	1	/P	Cotter Pin 1/8" Dia x 1.25
30	917-04074	1	/P	Deck Adjustment Gear
31	719-04233-0637	1	/P	Idler Bracket
32	921-04041	1	/P	Water Nozzle Adaptor
33	726-0233	1	/P	Bolt Retainer 1/4" x .50" OD
34	932-0306A	1	/P	Compression Spring .531 OD x 1.75 Lg.
35	732-04287	1		Extension Spring .50 dia x 6.37
35	732-04391	1		Extension Spring .94 x 7.57
36	732-0459C	1	/P	Extension Spring .94 x 6.74
37	732-0470A	1	S	Ext. Spring 4.74" Lg.
38	734-0973	1	/P	Wheel Ass'y - Deck 5" x 1.38"
39	735-0271A	1	/P	Bumper
40	936-0119	1	/P	L-Wash 5/16 ID
41	736-0173	1	/P	Flat Washer .28 ID x .74 DE x .063
42	736-0225	1	/P	L-Washer Internal
43	736-0270	1	/P	Cupped Washer .265 ID x .75 OD x .062
44	936-0300	1	/P	Flat Washer .385 ID x .87 OD x .06
45	736-0322	1	/P	Flat Washer .450 x 1.25 x .164
46	737-04003D	1	/P	Port, Water
47	938-0373	1	/P	Shoulder Bolt .498 Dia x 1.53 x 3/8-16
48	738-04162A	1	/P	Shoulder Spacer .884 x .190
49	738-04166	1		Shoulder Spacer .50 x .1475
50	738-04272	1		Shoulder Screw .374 x 1.16
51	942-0616A	1		Shoulder Screw .374 x 1.23" Lg.

13AV60GG897 (2009)
Deck Assembly

Page 3 of 24

Ref #	Part Number	Qty	S/P/F	Description
52	747-04269A	1	/P	Adjustable Front Deck Rod
53	747-04857	1	/P	Belt Keeper Rod 42" Deck
54	747-04501	1		Brake Control Rod 42"
55	747-04530	1		Belt Keeper Rod, 42" Idler
56	747-1116	1	/P	Deck Release Pin
57	748-04069	1		Deck Lift Pivot Cup
58	750-04637B	1		Spacer .455 x .697 x 1.585
59	750-0566A	1	/P	Spacer .260 x .375 x 1.030 Lg.
60	954-04045	1	/P	V-Belt
61	756-04129	1	S	Idler Pulley w/Flange 4.25 Dia
62	783-04327B-0606	1		Belt Covers 6.0 dia.
63	783-04740-0637	1		Cable Deck Engage Bracket
64	783-05490-0637	1		Support Bracket
65	736-0187	1	/P	Flat Washer .640 ID x 1.24 OD x .06
66	738-04146	1		Screw Plug M16 x 1.50
67	710-0134	1	/P	Carriage Bolt 1/4-20 x .62
68	712-3087	1	/P	Wing Nut 1/4-20 Thd.
69	731-2363	1	/P	Mulching Plug
70	931-1032B	1	/P	Chute Deflector (Plastic)
73	712-0417A	1	/P	Hex Flange Nut 5/8-18
74	956-1227	1	/P	Deck Pulley 6.3 Dia.
75	750-04739	1		Spacer .820 x 1.150 x .480
76	941-0919	1	/P	Ball Bearing 20 x 47 x 14:6204:DS
77	750-1000	1		Spacer .080 x 1.10 x 1.322" Lg.
78	938-04241	1	/P	Spindle Shaft 5.50" lg.
79	753-0884	1	/P	Deck Skirt 42"
80	710-0599	1	/P	Hex Wash S-Tapp Scr 1/4-20 x .50

13AV60GG897 (2009)
Drive Assembly



Left Hand Transmission
Bolt Mounting/
Montage de côté gauche
de la transmission.

13AV60GG897 (2009)
Drive Assembly

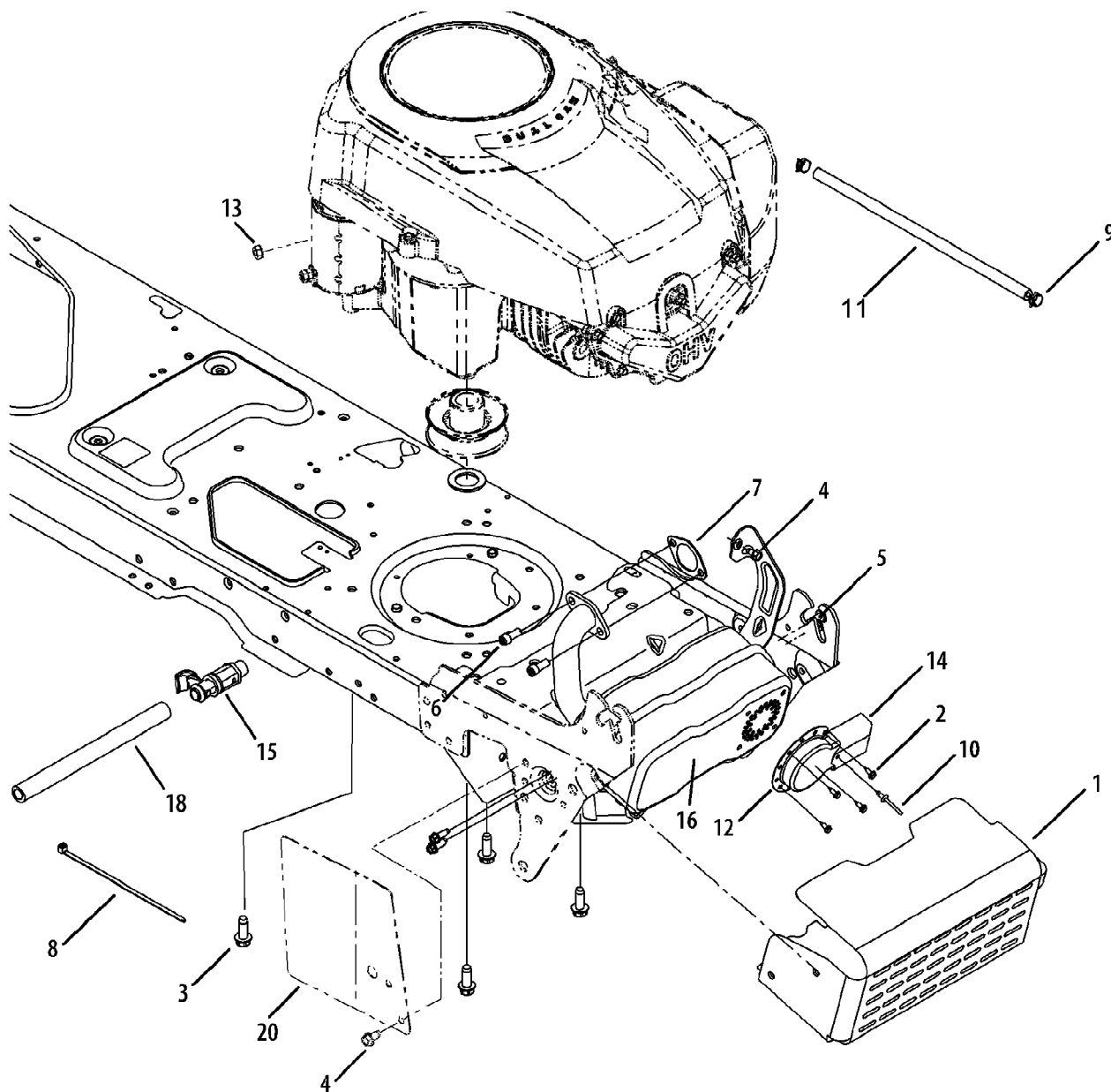
Page 5 of 24

Ref #	Part Number	Qty	S/P/F	Description
1	17840-0637	1	/P	Transaxle Mtg. Brkt.
2	925-04039	1	/P	Inter lock Switch
4	647-04020	1		Shift Lever Ass'y
5	710-0607	1	/P	Hex Wash HD S-Tapp Scr 5/16-18 x .50
6	710-04484	1		S-Tapp Scr 5/16-18 x .75
7	710-0809	1		Hex Bolt 1/4-20 x 1.25
8	710-1007	1	/P	Hex L-Wash HD Scr 3/8-16 x 1.5
9	710-1266	1	/P	Hex Bolt 5/16-18 x 3.5" Lg.
10	710-3144	1	/P	Hex Bolt 3/8-16 x 2.0" Lg. (Gr. 5)
11	711-0736	1	/P	Adjustment ferrule
12	712-0241	1	/P	Hex Nut 3/8-24
13	712-04063	1	/P	Flange Locknut 5/16-18 Gr. F, Nylon
14	912-0431	1	/P	Flange Locknut 3/8-16 Gr. F
15	712-0700	1	/P	Flange Nut
16	914-0104	1	/P	Int. Cotter Pin .072 x 1.13" Lg.
17	914-0111	1	/P	Cotter Pin 3/32 dia x 1.00 Lg.
18	914-0209	1	/P	Cotter Pin
19	914-0470	1	/P	Cotter Pin 1/8" Dia x 1.25
20	718-04407	1		Pulley Hub 5/8" Spline
21	720-04028	1		Shift Knob
22	923-3018	1	/P	Drag Link Ball Joint
23	731-04602	1		Sleeve, .758 x .821 x 3.3125
24	731-04604	1		Sleeve, .758 x .821 x 2.4375
25	932-04370A	1	/P	Extension Spring .62 dia. x 6.12
26	732-0525	1		Complete Spring Clip
27	732-0716D	1	/P	Extension Spring .59 x 4.0
28	732-0963	1		Extension Spring, .50 Dia. x 6.37
29	936-0169	1	/P	L-Wash 3/8 ID
30	738-04237A	1		Shld. Scr. #10-32 x .5
31	738-0372B	1	/P	Shoulder Spacer
32	747-04146C	1	/P	Shift Rod
33	747-04164	1		Brake Rod
34	747-1127	1		Idler Adjustment Rod, 3/8
35	948-0334	1	/P	Transaxle Spacer
36	750-0566A	1	/P	Spacer .260 x .375 x 1.030 Lg.
37	954-0467	1	S	Variable-speed Belt
38	954-0468	1	/P	Drive Belt
39	956-04002	1	/P	Pulley, V-Type, 7.25 dia.
40	756-04224	1	/P	Idler Pulley, Flat 2.75 OD
41	783-04283	1		Shift Bracket
42	783-04360	1		Shift Bracket F-N-R
43	783-04442-0637	1		Idler Bracket
44	647-04100-0637	1	/P	Brake Control Assembly
45	647-0032A-0637	1	/P	Speed Control
46	683-0266	1		AutoDrive Pedal Assembly
47	936-0119	1	/P	L-Wash 5/16 ID
48	710-1260A	1	/P	Hex Wash. Hd. Scr. 5/16-18 x .75 Lg.
49	936-0264	1	/P	Flat Washer .344 ID x .625 OD x .063
50	711-04159B	1		Pin 3/8-16 x 2.68 Lg.
51	712-3004A	1	/P	Hex Flange L-Nut 5/16-18
52	732-0335	1		Compression Spring
53	732-0955	1		Extension Spring, .50 OD x 1.41
54	732-0963	1		Extension Spring, .50 Dia. x 6.37

13AV60GG897 (2009)
Drive Assembly

Page 6 of 24

Ref #	Part Number	Qty	S/P/F	Description
55	735-0662	1		AutoDrive Pedal Pad
56	735-3049A	1	/P	Brake Pad
57	736-0187	1	/P	Flat Washer .640 ID x 1.24 OD x .06
58	736-0262	1	/P	Flat Washer .38 ID x .87 OD x .09
59	710-3103	1	/P	Hex Hd Cap Scr. 5/16-18 x 2.0 Gr. 5
60	912-3010	1	/P	Hex Nut 5/16-18 Gr. 5
61	938-0155	1	/P	Shld. Scr .437 Dia x .162 Lg.
62	938-0380	1	/P	Shoulder Screw .500 x .25
63	941-0225	1	/P	Hex Flange Bearing .630 ID
64	741-3065B	1	/P	Hex Flanged Bearing .628 ID
65	747-04093A	1		Brake Lock Rod
66	747-04096	1		Cruise Control Rod
67	748-04039C	1		Cruise Control Latch
68	783-0732A	1	/P	Lock out Bracket
69	747-04641A-0637	1	/P	Brake Pedal
70	783-04612-0637	1	/P	Steering Support Bracket
71	918-04566	1	/P	Transmission Ass'y
72	683-04287	1		Torque Bracket Assembly
73	783-05904-0637	1		Idler Bracket
74	710-0227	1	/P	Hex Wash HD AB S-Tapp Scr #8-.50
75	638-04012A	1	/P	Hex Screw 3/8-16 x 1.25
76	736-0430	1	/P	Flat Washer .350 ID x 1.59 OD x .062
77	732-1013A	1		Belt Guard
78	738-04162A	1	/P	Shoulder Spacer .884 ID x .190
79	725-1644	1		Short Spring Switch
80	926-0320	1	/P	Insulator Nut Plate
81	710-04467	1		Sems Screw 3/8-16 x 2.5
82	756-04324	1		Idler Pulley, V-Type 5L x 3.06
83	956-04015	1	S	Variable Speed Pulley Ass'y 4.75 OD
84	683-04296	1		Pulley Bracket
85	710-0627	1	/P	Hex L-Bolt 5/16-24 x .75 Gr. 5
86	710-0778	1	/P	Hex Wash HD Bolt 1/4-20 x 1.50" Lg.
87	718-04261	1		Bearing Cup
88	736-0362	1	/P	Flat Washer .22 ID x 1.25
89	941-0124	1	S	Ball Bearing
90	783-04722-0637	1		Switch Bracket, Parking Brake
91	736-0242	1	/P	Cupped Washer .345 ID x .88 OD x .060
92	712-04065	1	/P	Flange Lock-Nut 3/8-16 Gr. F Nylon
93	710-0599	1	/P	Hex Wash S-Tapp Scr 1/4-20 x .50
94	731-2290A	1	/P	Hub Cap
95	634-0104-0911	1	/P	Wheel Assembly Complete, 20 x 8 x 8
95	634-04369-0662	1		Rim Only Not shown
95	934-0255	1	/P	Air Valve Not shown
95	734-1730-0901	1	/P	Tire Only, 20 x 8 x 8, Square Shoulder Not shown
96	736-3010	1		Flat Washer .406 ID x .812 OD x .134
98	925-3167	1		Switch
99	918-04423A	1	/P	Variable Speed Pulley Ass'y (Incl. Ref. Nos. 84-89)

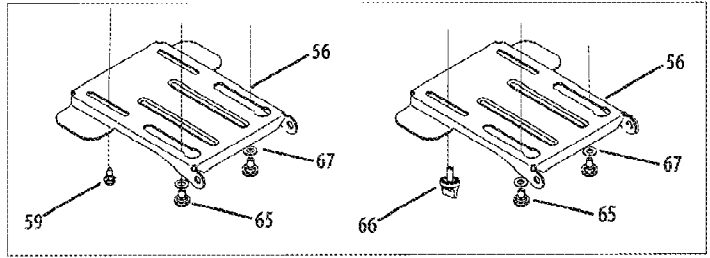


13AV60GG897 (2009)
Engine Accessories

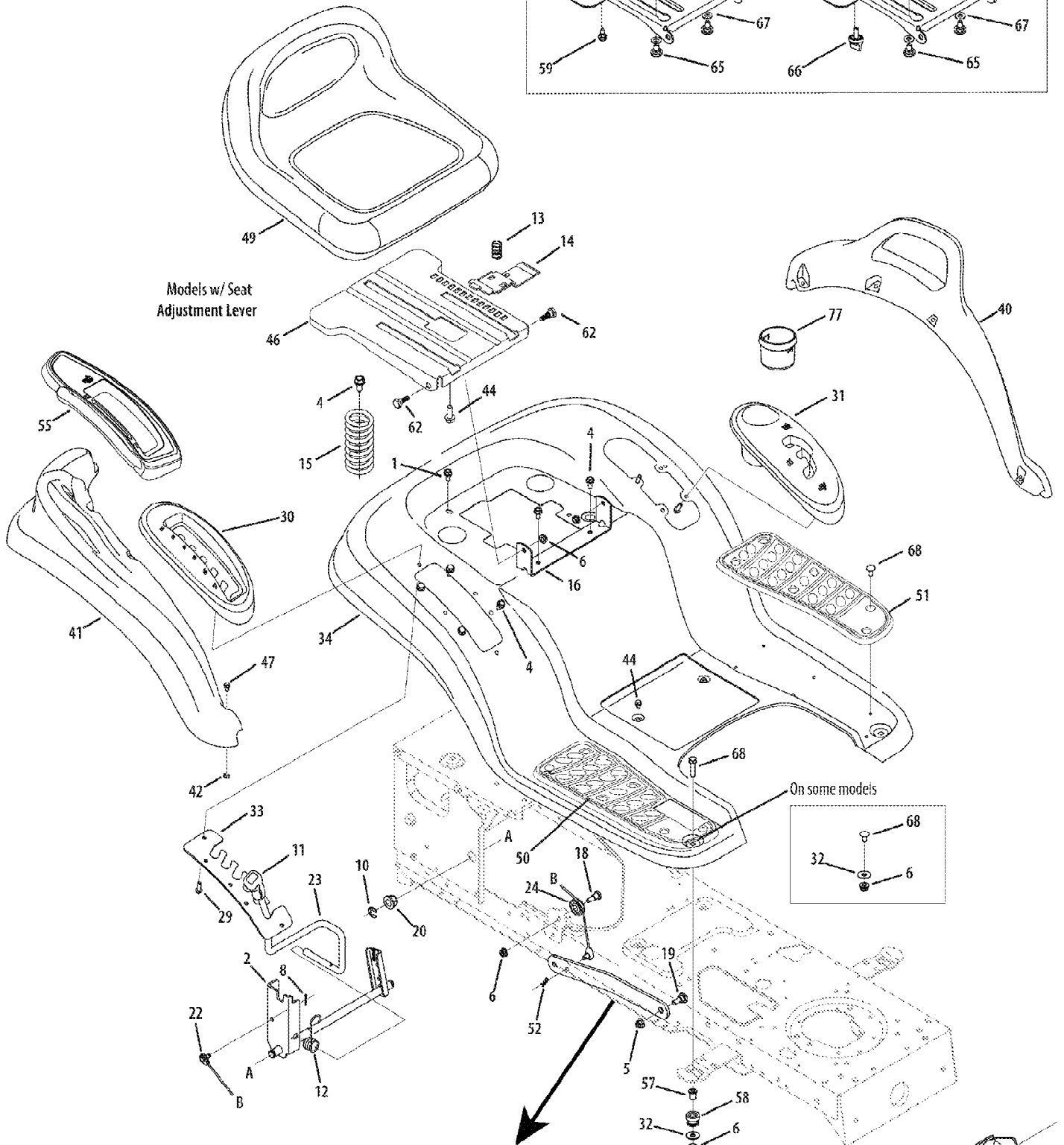
Page 8 of 24

Ref #	Part Number	Qty	S/P/F	Description
1	683-04549-0637	1	/P	Muffler Shield Assembly
2	710-0227	1	/P	Hex AB Scr #8-18 x .50
3	710-04683	1		TT Screw 3/8-16 x 1.00
4	710-0599	1	/P	Hex Wash S-Tapp Scr 1/4-20 x .50
5	710-0642	1	/P	Thd Forming Scr. 1/4-20 x .75 Lg.
6	710-1314A	1	/P	Scr. 5/16-18 x .75
7	BS-692236	1	/P	Exhaust Gasket
8	725-0157	1	/P	Cable Tie
9	726-0205	1	/P	Hose Clamp
10	728-04000	1		Pop Rivet
11	751-10349	1		Fuel Line
12	751-10353	1		Long Muffler Deflector
13	712-0271	1	/P	Hex Sems Nut 1/4-20
14	751-0564B	1	/P	Muffler Deflector
15	951-10517A	1	/P	Oil Drain
16	751-11022	1		Muffler
18	751-3141-14	1	/P	Oil Drain Hose
20	783-05106-0637	1	/P	Heat Shield

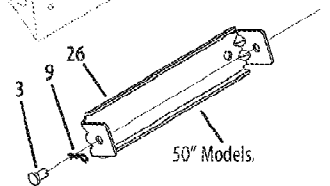
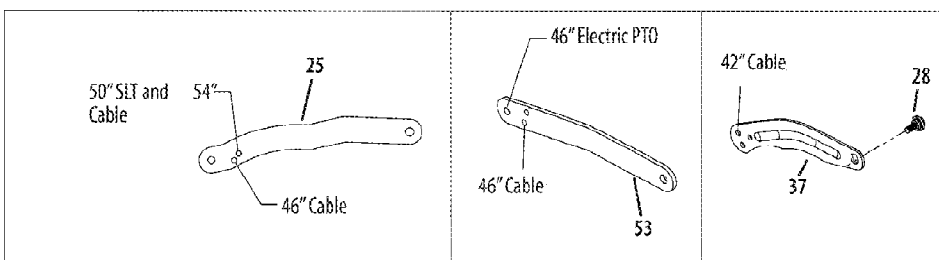
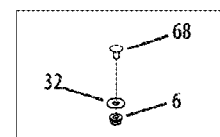
Models w/ Manually
Adjusting Seat



Models w/ Seat
Adjustment Lever



On some models



13AV60GG897 (2009)
Fender Assembly

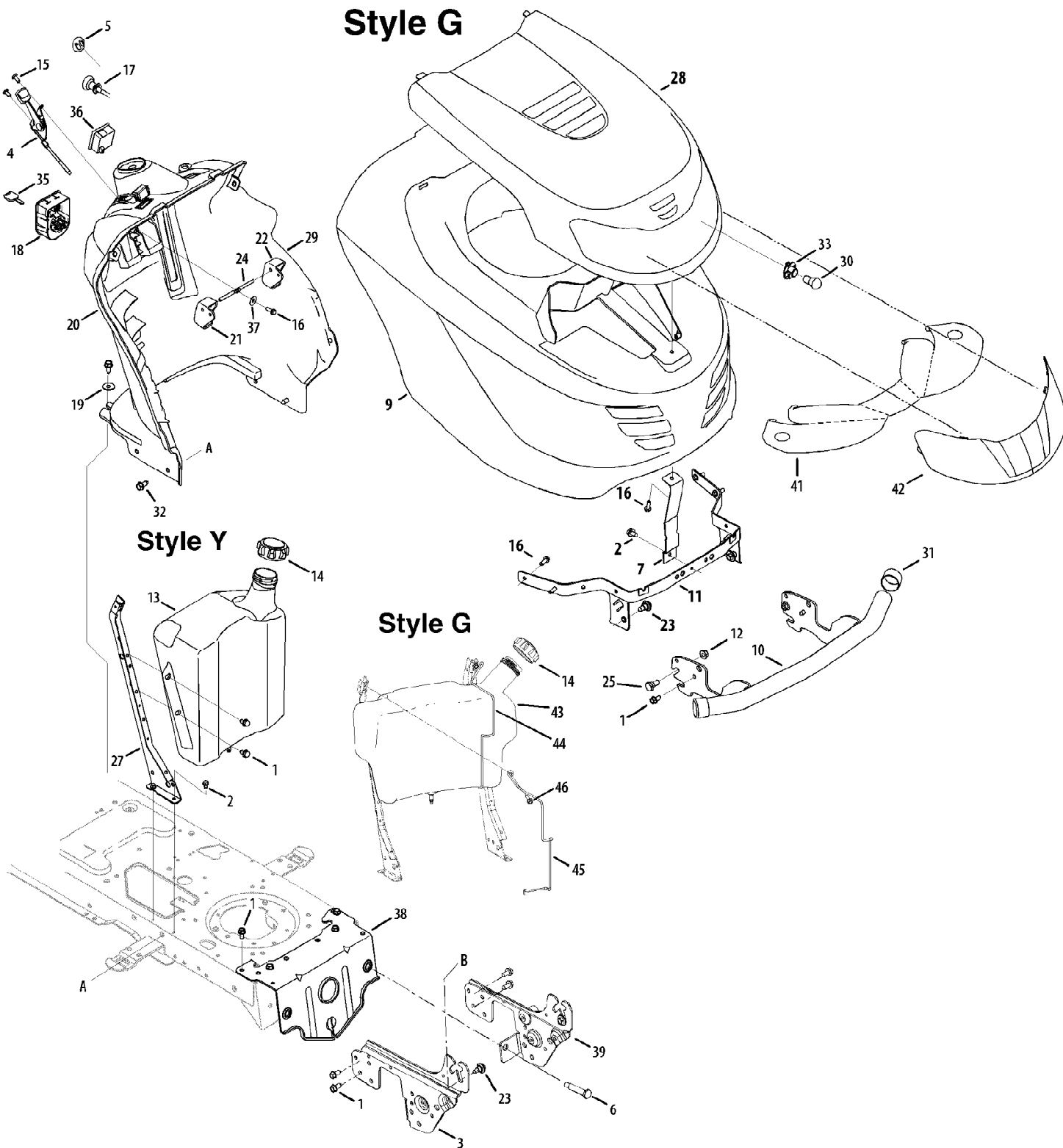
Page 10 of 24

Ref #	Part Number	Qty	S/P/F	Description
2	683-04223-0637	1	/P	Lift Shaft Assembly (42" and 46" Deck)
3	911-0332	1	/P	Clevis Pin
4	710-04484	1		S-Tapp Scr 5/16-18 x .75
5	712-04065	1	/P	Hex Flange Locknut 3/8-16 Gr. F,Nylon
6	712-04063	1	/P	Hex Flange Locknut 5/16-18 Gr. F Nylon
8	914-0104	1	/P	Int. Cotter Pin 5/16 Dia.
9	914-04023	1	/P	Internal Cotter Pin .080 x 1.5625
10	716-0106A	1		E-ring
11	720-0311	1		Handle Grip
12	732-0874	1	/P	Torsion Spring
13	732-04563	1		Spring, Compression Seat Adj Levr
14	783-06050	1		Lever, Seat Adjust
15	732-04561	1		Spring, Compression Seat
16	783-06088	1		Seat, Pivot Bracket
18	738-0138A	1	/P	Shoulder Scr. .437 Dia x .47
19	938-0380	1	/P	Shoulder Screw .500 x .25 (46"/50")
20	941-0225	1	/P	Hex Flange Bearing .630 ID
22	746-0968	1		Lift Cable, 16.16
23	747-04447	1		Lift Handle
24	756-1154	1		Roller Pulley
25	783-05546-0637	1	S	Arm Lift (46"/54" deck w/electric PTO)
26	783-0720C-0637	1	/P	Deck Stabilizer Bracket
28	738-04130	1		Shoulder Screw .625 x .175: 3/8-16
29	710-0895	1		Hex Scr. 1/4-15 x .75
30	731-1990	1		Lift Lever Cover
31	931-2104C	1	/P	Shift Lever Cover w/Cup Holder
32	736-3078	1	/P	Flat Washer .344 ID x 1.0
33	783-0677B-0637	1	/P	Lift Adjustment Bracket
34	783-06246-0606	1		Fender
37	783-04494B-0637	1	S	Deck Lift Arm RH (42" Deck)
37	783-04711B-0637	1	S	Deck Lift Arm LH (Not Shown)
40	731-2619	1		LH Fender Flare
41	731-2618	1		RH Fender Flare
42	712-0271	1	/P	Sems Hex Nut 1/4-20
44	710-0599	1	/P	Hex Wash S-Tapp Scr 1/4-20 x .50
46	783-06049-0606	1		Seat Mount Bracket
47	710-0932	1	/P	Carriage Bolt 1/4-20 x 1.00" Lg.
49	757-04086	1		High Back Seat Black
50	735-0656	1		RH Foot Pad
51	735-0657	1		LH Foot Pad
52	914-0111	1	/P	Cotter Pin 3/32 dia. x 1.00 Lg.
53	N/A	1		Arm Lift (46" deck w/manual PTO & 50" deck) Not used in this application
55	N/A	1		Lift Lever Cover (Model 60R) Not used in this application
56	783-04081C-0637	1	/P	Seat Pivot Bracket, Manually Adjusted
57	735-0690	1		Grommet
58	750-3310	1		Flg. Spacer .3125 x .4375 x .625
59	710-0870	1	/P	Hex Wash Hd Scr. 3/8-16 x .625 Gr. 5
62	938-0296	1	/P	Shoulder Bolt .437 Dia. x .268
65	738-04012A	1	/P	Shoulder Spacer .625 x .175, 3/8-16
66	720-04061	1		Flg. Spacer .3125 x .4375 x .625

13AV60GG897 (2009)
Fender Assembly

Page 11 of 24

Ref #	Part Number	Qty	S/P/F	Description
67	936-0300	1	/P	Flat Washer .406 x .875 x .059
68	710-0451	1	/P	Carriage Bolt 5/16 x 18 x .75" Lg.
	726-0278	1		Insulator Plate Not Shown
	757-04073	1		Arm Rest Kit Not Shown
	747-1130B	1	/P	Deck Stabilizer Rod Not Shown
	720-0309A	1	/P	Seat Adjuster Grip Not Shown
	783-0611	1		Seat Stop Not Shown
	710-04482	1		Hex Flange Bolt, 3/8-16 x .875 Not Shown. Stop bolt used on RH bottom of seat
	783-06448	1		Retaining Clip for seat switch Not shown

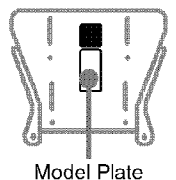


13AV60GG897 (2009)
Hood & Grille Assembly

Page 13 of 24

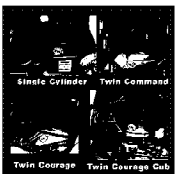
Ref #	Part Number	Qty	S/P/F	Description
1	710-04484	1		S-Tapp Scr 5/16-18 x .75
2	710-0599	1	/P	Hex Wash S-Tapp Scr 1/4-20 x .50
3	783-05328A-0637	1	/P	RH Pivot Support Bracket
4	746-04364	1		Throttle/Choke Cont. Cable 25" Lg. (Single)
5	731-1999	1		Choke Plug
6	738-04128	1		Shoulder Bolt .5 x 2.38, 3/8-16
7	783-06117-0637	1	/P	Hood Support Bracket
9	931-06538	1	/P	Grill Style "G" (w/side fill)
10	683-04219B-0637	1	/P	Bumper Assembly
11	783-04606C-0637	1	/P	Hood Pivot Bracket
12	912-3000	1	/P	Hex Lock-Nut 3/8-16 Gr.B
13	N/A	1		Fuel Tank Not used in this application
14	751-0603A	1	/P	Cap-Fuel
15	710-1017	1	/P	Torx Mach. AB-Tapp Scr. 1/4-14 x .625 Lg
16	710-0895	1		Hex Tapp Scr 1/4 x .75" Lg.
17	746-1085A	1	S	Choke Cable 37.5" Lg.
18	925-04230B	1	/P	Ignition Switch
19	736-0701	1		Flat Washer
20	931-06495	1	/P	Dash Panel (w/fuel level window)
21	731-04214	1		Cruise Control Button
22	731-04213	1		Parking Brake Button
23	738-04091A	1	/P	Shoulder Screw .43 x .29, 5/16-18
24	747-1155	1		Pivot Rod
25	738-0143	1	/P	Shoulder Scr. .498 x .340: 3/8-16
27	783-04285F-0637	1	/P	RH Dash Support Plate
27	783-04323F-0637	1	/P	LH Dash Support Plate (not shown)
28	931-04308	1	/P	Upper "G" Style Hood
30	925-0963	1	/P	Miniature Lamp 12V Socket Type
31	731-05674	1		Bumper Cap
32	710-0726	1	/P	Screw 5/16-12 x .75
33	925-1649	1	/P	Socket
35	925-1745A	1	/P	Ignition Key w/Plastic Cover
38	925-1744	1		Ignition Key w/o Plastic Cover
36	725-04861	1		Wire Harness (w/Hour Meter)
37	936-0142	1	/P	Flat Washer .281 x .50 x .063
38	783-05326-0637	1	/P	Pivot Bar Bracket
39	783-05327B-0637	1	/P	LH Pivot Support Bracket
41	777x43285	1		Reflective Label
42	931-06564	1	/P	Lens (Style G)
43	951-10573	1	/P	Fuel Tank 2.75 Gal.
44	747-05050	1		Tank Support Rod LH
45	747-05049	1		Tank Support Rod RH
46	710-0642	1	/P	Hex TT Screw 1/4-20 x .75

13AV60GG897 (2009)
Label Map



Model Plate

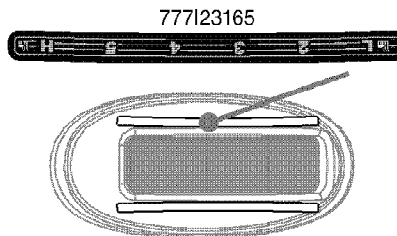
777I22679
Top Of Engine In
Position Shown
On Correct Engine



777CD30086
Center On Rear Fender

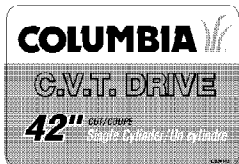


777S32543



777I23165

777CD30142
Center On Operators
Left Side Of
Fender Front



777I22896
Place Centered On
Steering Wheel With
Only Half Of The Split
Backing Removed For
Easy Removal

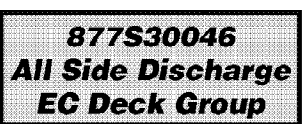
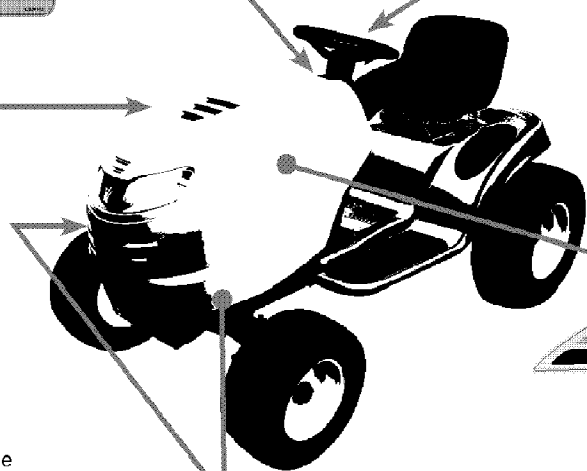


777I23163
On Manual
PTO Handle

777D13467
Place On Right Side Panel
Centered Under Air Vent



777D13468
Place On Left Side Panel
Centered Under Air Vent



777S32356

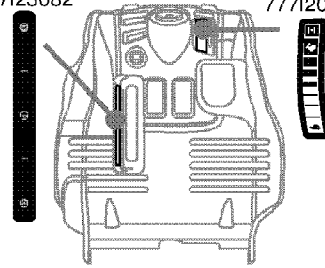
777X43688
Place on Engine
Near Gas Cap



(QTY 2) 777D13472

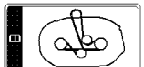


777I23082 777I20882

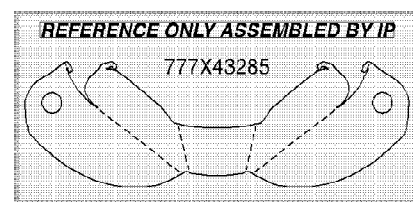


777S30296
Place Under Chute

777I22643



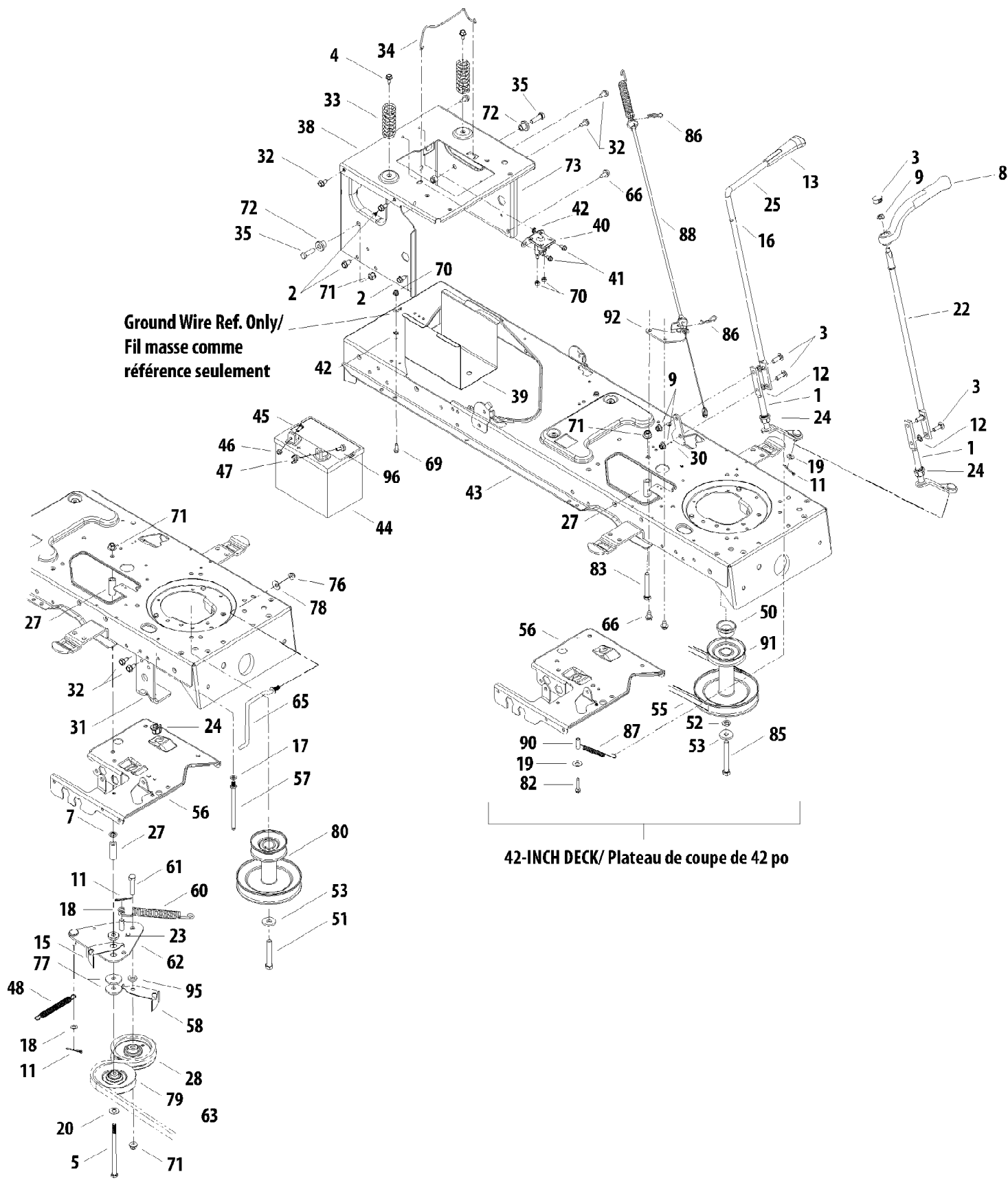
*777S32364
In Mold Graphic
*Reference Only



13AV60GG897 (2009)
Label Map

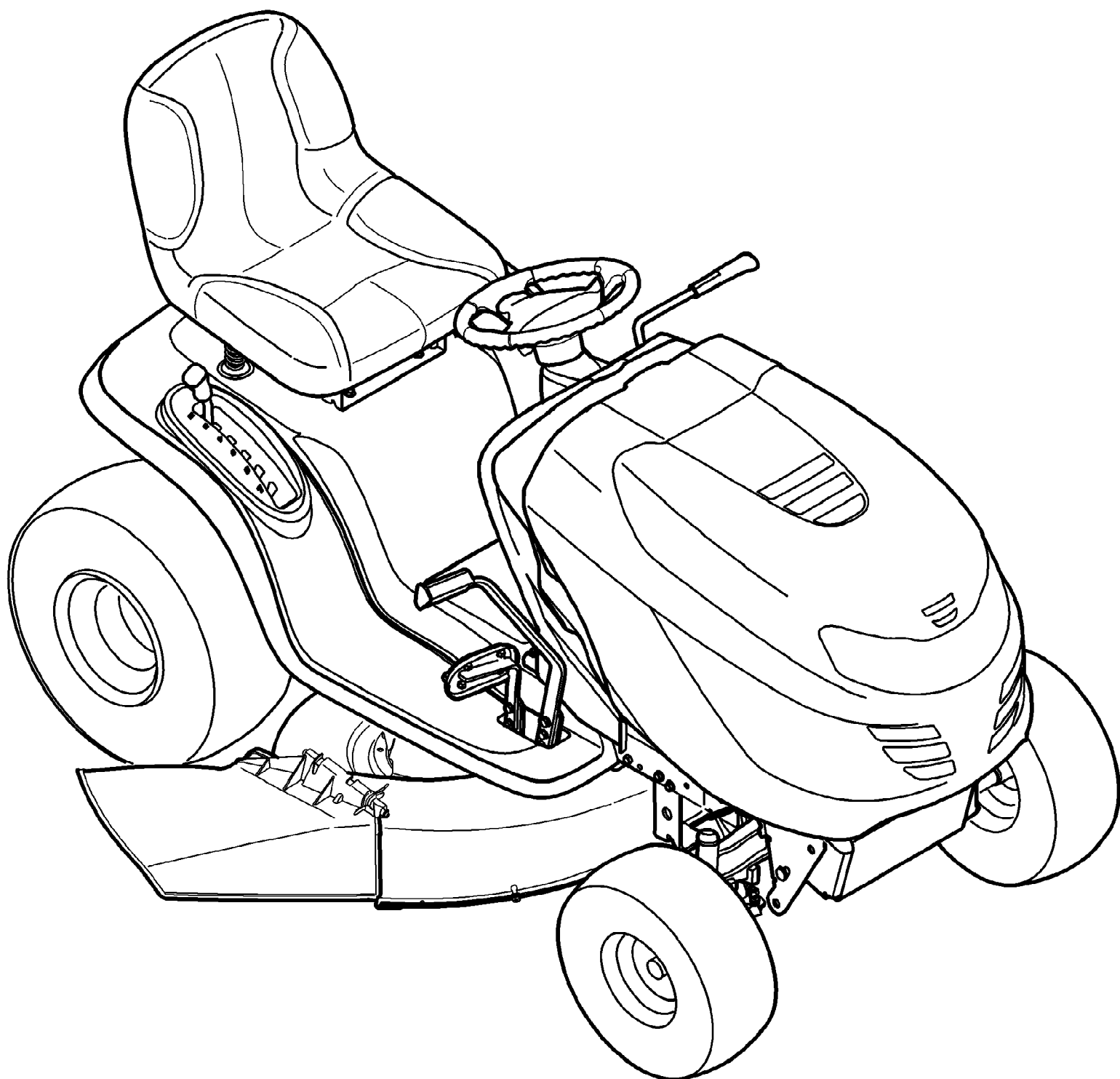
Page 15 of 24

Ref #	Part Number	Qty	S/P/F	Description
777CD30086	777CD30086	1		LABEL-REAR FENDER COLUMBIA
777CD30142	777CD30142	1		LABEL-CVT 42" FNDR COLUMBIA
777I22679	777I22679	1		LABEL-CHECK ENG OIL
777D13467	777D13467	1		LABEL-RIDER HOOD RH COLUMBIA
777X43688	777X43688	1		LABEL-ETHANOL
777S32356	777S32356	1		LABEL:RIDER SAFETY
777I22643	777I22643	1		LABEL-DECK BELT ROUTE 42"
777S30296	777S30296	1		LABEL:RIDER DECK:
777S32364	N/A	1		LABEL-RIDER SFTY:IN-MOLD CHTE EURO Mold-In Graphic
777D13472	777D13472	1		LABEL-RIDER LWR PNLS:V60GG
777X43285	777X43285	1		LABEL-REFLECTOR G STYLE
777I23082	777I23082	1		LABEL-RIDER NX-9 GAS GUAGE
777I20882	777I20882	1		LABEL-DASH THROTTL
777D13468	777D13468	1		LABEL-RIDER HOOD LH COLUMBIA
777I22896	777I22896	1		LABEL-RIDER CAP:SCR WHL:DGRM:CDN
777I23163	777I23163	1		LABEL-RIDER CANADA PTO
777I23165	777I23165	1		LABEL-RIDER RT99 DECK HT POD
777S32543	977S32543	1	/P	LABEL-SAFETY/INST CANADA



Ref #	Part Number	Qty	S/P/F	Description
1	947-04036A	1	/P	PTO Engage Lever Assembly
2	710-04484	1		Hex TT Scr. 5/16-18 x .75
3	710-0276	1	/P	Carriage Bolt 5/16-18 x 1.00" Lg
4	710-1260A	1	/P	Hex Wash HD AB Tap Scr 5/16-12 x .75
5	710-0831	1		Hex Cap Screw, 3/8-16 x 1.5
7	712-0229	1		Push Nut Bolt Retainer
8	647-04147	1		PTO Knob
9	712-3004A	1	/P	Hex Flange L-Nut 5/16-18
11	914-0115	1	/P	Cotter Pin 1/8" Dia x 1.00
12	726-0201	1		Push Speed Nut
13	731-2111B	1	/P	PTO Knob
15	732-04245A	1		Belt Guard
16	936-0108	1	/P	Flat Washer .510 ID x .75 OD x .033
17	936-0119	1	/P	L-Wash 5/16 ID
18	936-0140	1	/P	Flat Washer .385 ID x .62 OD x .06
19	736-0173	1	/P	Flat Washer .28 ID x .74 OD x .063
20	936-0300	1	/P	Flat Washer .385 ID x .87 OD x .06
21	720-0425	1		Cap Plug .812 dia.
22	747-04855	1		Deck Engagement Handle
23	738-0372B	1	/P	Shoulder Spacer
24	741-0708	1		Hex Split Flange Bearing .50 ID
25	747-04470	1		Deck Engagement Handle
27	748-0415B	1	/P	Spacer .385 ID x .635 OD x 1.54
28	756-0627D	1	/P	Flat Idler Pulley 3.5 OD
30	783-0744A-0637	1	/P	Engagement Stop Bracket
31	783-04467-0606	1		Deck Stop
32	710-0726	1	/P	Hex Wash HD AB Tap Scr 5/16 x .75
33	732-04035	1		Compression Spring 1.28 x 3.125
34	747-04121A	1		Battery Retainer Rod
35	710-3005	1	/P	Hex Bolt 3/8-16 x 1.25
38	783-06089-0606	1		Frame Seat Bracket
39	783-0349-0637	1		Battery Tray
40	925-1426A	1	/P	Solenoid
41	710-0599	1	/P	Hex Wash S-Tapp Scr 1/4-20 x .50
42	936-0222	1	/P	Ext. L-Washer 1/4 ID
43	683-04173B-0606	1		Lower Frame Assembly
44	925-1707D	1	/P	Battery 245 CCA (Dry)
45	710-0703	1	/P	Carriage Bolt 1/4-10 x .75
46	712-0271	1	/P	Sems Hex Nut 1/4-20
47	712-3087	1	/P	Wing Nut 1/4-20 Thd.
48	732-04197	1	/P	Extension Spring .50 x 5.0
50	750-0956	1		Spacer 1.010 x 1.4 x .825
51	710-04377	1		Hex Bolt 7/16-20 x 2.75 Gr. 5
52	736-0322	1	/P	Flat Washer .450 x 1.25 x .164
53	936-0171	1	/P	Lockwasher 7/16 ID
55	954-0497	1	/P	PTO Belt (w/42" deck)
56	783-04612-0637	1	/P	Steering Support Bracket
57	711-1044A	1	/P	Keeper Pin 5/16 x 4.75
58	732-1013	1		Belt Guard
60	732-0944	1		Extension Spring .75 x 6.75
61	710-1007	1	/P	Hex TT Sems Scr. 3/8-16 x 1.5
62	683-0302	1	/P	PTO Engagement Plate
63	754-04064	1		Belt (w/46" Deck)

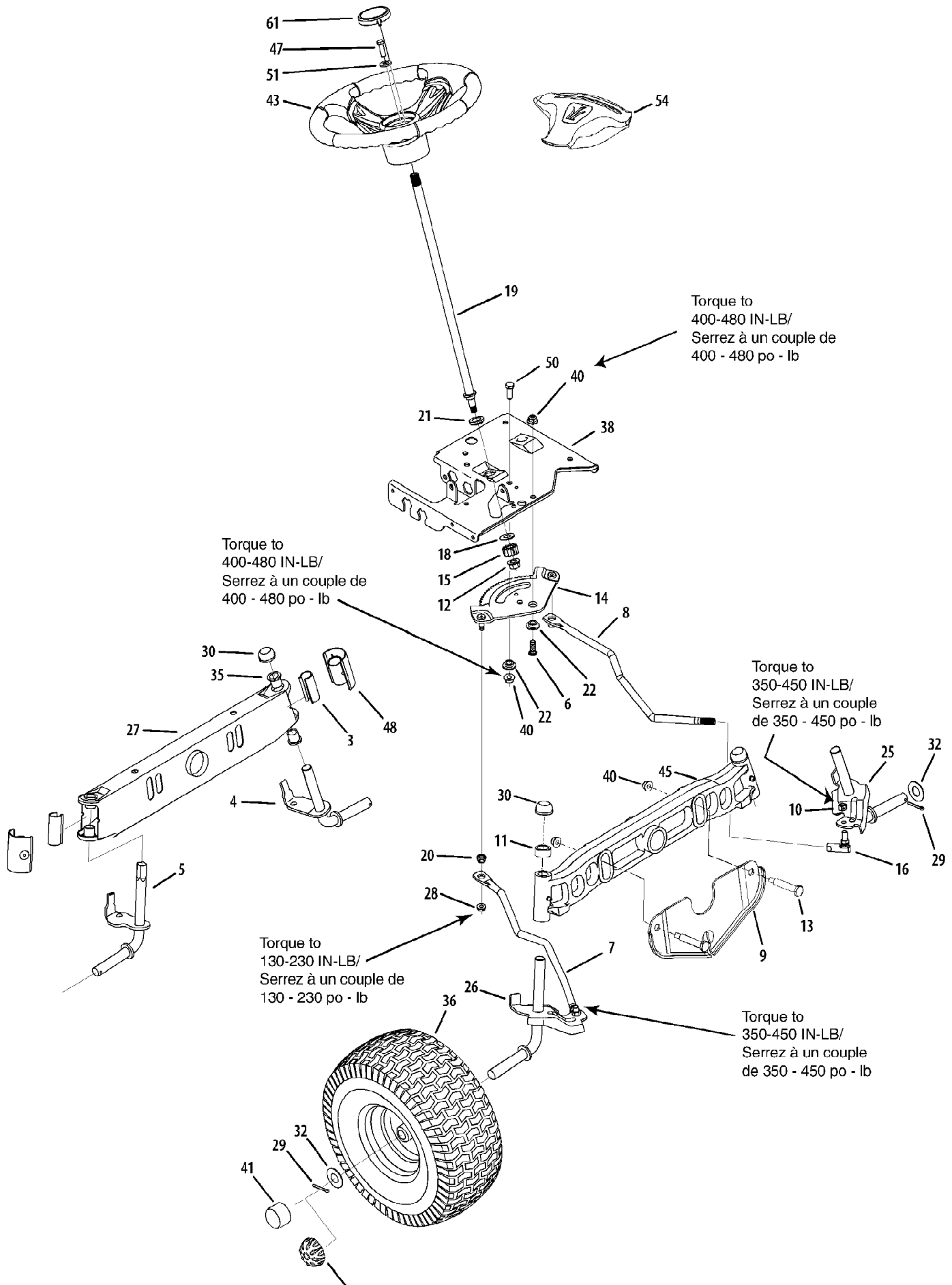
Ref #	Part Number	Qty	S/P/F	Description
65	747-04355	1		Belt Keeper Rod
66	710-0607	1	/P	Hex Wash HD S-Tapp Scr 5/16-18 x .50
68	936-0329	1	/P	L-Wash 1/4 ID
69	710-0642	1	/P	Thd Form ing Scr. 1/4-20 x .75 Lg.
70	712-04064	1	/P	Hex L-Flanged Nut 1/4-20 Gr. F Nylon
71	712-04065	1	/P	Flange Lock-Nut 3/8-16 Gr. F Nylon
72	738-04058	1		Shoulder Spacer .38 x 1.0 x .70
73	783-04809C-0606	1		Upper Frame
77	936-0227	1	/P	Flat Washer .39 ID x 1.5 OD x .135
78	736-0242	1	/P	Cupped Washer .345 ID x .88 OD x .060
79	756-0487	1	/P	4" Dia. V-Idler
80	956-04207	1	S	Engine Pulley 3.39 x 6.12 Dia 46" Trans.
80	756-04208A	1	/P	Engine Pulley 3.56 x 6.12 Dia 46" Hydro
82	710-0778	1	/P	Hex Bolt 1/4-20 x 1.5
83	710-0859	1	/P	Hex Cap Screw, 3/8-16 x 2.5
85	710-04608	1		Hex Bolt 7/16-20 x 3.25 Gr. 5
86	714-04040	1		Bow Tie Cotter Pin
87	732-04248	1		Extension Spring .38 OD x 3.9 Lg.
88	746-04353A	1	S	Deck Engage Cable
90	750-0566A	1	/P	Spacer .260 x .375 x 1.030 Lg.
91	756-04196A	1	/P	Engine Pulley 3.39 x 6.12 dia 42" Trans
92	783-05358-0637	1		Cable Bracket
95	736-3010	1		Flat Washer .406 ID x .812 OD x .134
96	738-1132	1		Shoulder Screw, 1/4-20



13AV60GG897 (2009)
Quick Reference

Page 20 of 24

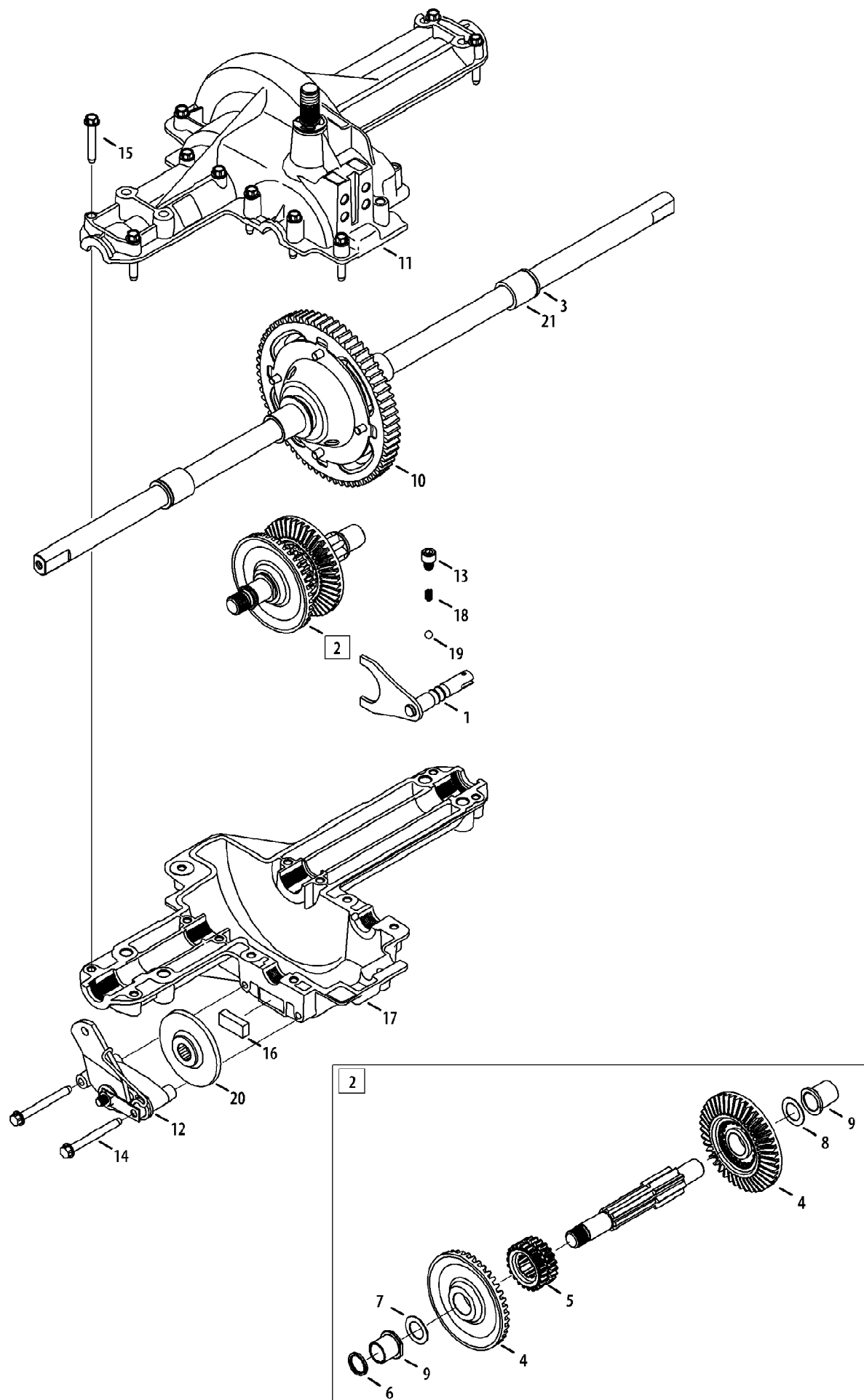
Ref #	Part Number	Qty	S/P/F	Description
	759-3336	1	/P	Spark Plug
	KH-12-050-01-S	1	/P	Oil Filter
	KH-20-883-02-S1	1	/P	Pre Filter
	KH-20-883-02-S1	1	/P	Air Filter
	KH-25-050-21-S	1	/P	Fuel Filter
	925-1426A	1	/P	Solenoid
	918-04456	1	S	Deck Spindles
	942-0616A	1	/P	Blades
	712-0417A	1	/P	Blade Nuts
	734-0973	1	/P	Deck Wheels
	923-0448A	1	/P	Ball Joints
	925-1745A	1	/P	Ignition Keys
	N/A	1		Control Cable
	746-04353A	1	S	Deck Engagement Cable
	746-04364	1		Throttle Cable
	954-0467	1	S	Variable Speed Belt
	954-0468	1	/P	Drive Belt
	954-0497	1	/P	PTO Belt
	954-04045	1	/P	Deck Belt
	925-3167	1		Safety Switch - Brake
	925-04039	1	/P	Safety Switch - Deck
	931-1032B	1	/P	Discharge Chute
	731-2363	1	/P	Mulch Plug
	925-1707D	1	/P	Battery



13AV60GG897 (2009)
Steering Assembly

Page 22 of 24

Ref #	Part Number	Qty	S/P/F	Description
3	731-04057A	1		Axle End Cap - Std.
4	938-04006A-0637	1	/P	LH Axle Assembly, .750 Dia. 42" Deck
5	938-04005A-0637	1	/P	RH Axle Assembly, 750 Dia. 42" Deck
6	710-04095	1		Hex Cap Screw 3/8-16 x 1.00 Gr. 5 Spec.
7	711-1408	1		RH Drag Link
8	711-1409A	1	/P	LH Drag Link
9	783-04568-0637	1		Front Deck Hanger Brkt. (Style 6)
10	912-0214	1	/P	Hex Cent. L-Nut 3/8-24
11	748-04068	1		Spacer .71 ID x .125 OD x .56" Lg.
12	712-0459	1	/P	Flange Lock Nut, 7/16-20
13	738-04128	1		Shoulder Bolt .50 x 2.38: 3/8-16
14	917-1550E	1	S	Steering Gear, 11/90 Ra tio
15	717-1554	1		Steering Pinion Gear
16	923-0448A	1	/P	Ball Joint, 7/16 - 20
18	736-3084	1	/P	Fl. Washer .510 x 1.120 x .060
19	738-04263	1		Steering Shaft, .625 OD x 24.25
20	941-0475	1	/P	Plastic Bushing .380 ID
21	741-04237B	1	/P	Hex Flange Bearing, 5/8
22	738-04154	1		Shoulder Spacer
25	938-04006A-0637	1	/P	LH Axle Assembly, .750 Dia. (42")
26	938-04005A-0637	1	/P	RH Axle Assembly, .750 Dia. (42")
27	683-0128B-0637	1	/P	Pivot Bar
28	712-3004A	1	/P	Hex Flange L-Nut 5/16-18 Gr. 5
29	714-04039	1		Cotter Pin 5/32" Dia. x 1.25 W/ball bearing wheels
29	714-0162	1	/P	Cotter Pin 5/32" Dia. x 1.25
30	726-0341	1	/P	Push Cap, .750 W/ball bearing wheels
61	731-04039	1		Steering Wheel Cap - Small w/o logo
32	736-0316	1	S	Flat Washer .780 ID X 1.56 OD W/ball bearing wheels
34	738-1011A	1	/P	Shoulder Screw, .5 x 2.2, 3/8-16
35	741-0660A	1	/P	Flange Bearing .760 ID x .937 OD
36	634-04199-0911	1		Wheel Assembly
36	734-1731-0901	1	/P	Tire Only
36	934-04091A-0499	1	/P	Rim Only
36	934-0255	1	/P	Valve
37	731-2290A	1	/P	Hub Cap
38	783-04612-0637	1	/P	Steering Support Bracket
39	738-0143	1	/P	Shld. Scr. .500 Dia. X .335" Lg.
40	712-04065	1	/P	Hex Flange L-Nut 3/8-16 Gr. F
41	731-05674	1		Cap
43	631-04008A	1	/P	Steering Wheel - 3 Spokes Soft Grip
45	719-04177A	1		Cast Iron Pivot Bar (.750 dia.)
47	710-0643	1	/P	Hex Screw 5/16-18 X 1.00 Spe cial
48	931-1291A	1	/P	Pivot Bar End Cap
50	710-0514	1	/P	Hex Screw 3/16 x 1.00
51	936-3004	1	/P	Flat Washer .406 ID x .875 OD x .105
54	731-04065A	1		Steering Wheel Cover - MTD



13AV60GG897 (2009)
Transmission

Page 24 of 24

Ref #	Part Number	Qty	S/P/F	Description
1	911-0011	1	/P	Detent Shaft Ass'y
2	911-04091	1	/P	Drive Shaft
3	921-0338	1	/P	Oil Seal .750 x 1.00 x .125
4	917-04479	1	S	Bevel Gear, 42 tooth spline
5	718-04381P	1	/P	Single Speed Clutch Collar
6	721-0213	1	/P	Seal .625 x .812 x .094
7	936-0336	1	/P	Flat Washer 5/8 ID x 1.0 OD x .030 as required
7	936-0337	1	/P	Flat Washer 5/8 ID x 1.0 OD x 0.040 as required
7	936-0349	1	/P	Flat Washer 5/8 ID x 1.0 x .020 as required
7	736-0494	1		Thrust Wash. 5/8" ID x 1.0" OD x .035 as required
7	936-0495	1	/P	Thrust Wash. 5/8" ID x 1.0" OD x .025 as required
8	941-0336	1	/P	Flange Bearing 5/8 x 3/4
9	941-0337	1	/P	Flange Bearing 5/8 x 15/16
10	918-04567	1	S	Differential Assembly
11	919-04187	1	/P	Upper Housing
12	961-0001	1	/P	Brake Assembly
13	710-04731	1		Self-Tap Scr. 5/16-18 x .375
14	710-1206	1	/P	Self-Tap Scr. 1/4-20 x 2.375
15	710-1325	1	/P	Self-Tap Scr. 1/4-20 x 1.625
16	917-0678	1	/P	Brake Puch
17	919-04329	1	/P	Lower Housing
18	932-0863	1	/P	Compression Spring
19	741-0862	1	/P	Ball Detent .250 Dia.
20	761-0202	1		Brake Disc
21	941-0340	1	/P	Sleeve Bearing 3/4 ID x 1.0
	737-0300A	1	/P	Grease (8 oz.) Not shown