

Left Hand Transmission  
Bolt Mounting/  
*Montage de côté gauche  
de la transmission.*

13AV606G597 (2008)  
Drive & Rear Wheels

Page 2 of 27

Ref #	Part Number	Qty	S/P/F	Description
1	17840	1	S	Transaxle Mtg. Brkt.
2	725-04039	1	S	Interlock Switch
3	17962	1		Switch Plate
4	647-04020	1		Shift Lever Ass'y
5	710-0607	1	/P	Hex Wash HD S-Tapp Scr 5/16-18 x .50
6	710-04484	1		S-Tapp Scr 5/16-18 x .75
7	710-0809	1		Hex Bolt 1/4-20 x 1.25
8	710-1007	1	/P	Hex L-Wash HD Scr 3/8-16 x 1.5
9	710-1266	1	/P	Hex Bolt 5/16-18 x 3.5" Lg.
10	710-3144	1	/P	Hex Bolt 3/8-16 x 2.0" Lg. Gr. 5
11	711-0736	1	/P	Adjustment ferrule
12	712-0241	1	/P	Hex Nut 3/8-24
13	712-04063	1	/P	Flange Locknut 5/16-18 Gr. F, Nylon
14	712-0431	1	S	Flange Locknut 3/8-16 Gr. F
15	712-0700	1	/P	Flange Nut
16	714-0104	1	S	Int. Cotter Pin .072 x 1.13" Lg.
17	714-0111	1	S	Cotter Pin 3/32 dia x 1.00 Lg.
18	714-0209	1	S	Cotter Pin
19	714-0470	1	S	Cotter Pin 1/8" Dia x 1.25
20	718-0758A	1	S	Pulley Hub 5/8" Spline
21	720-04028	1		Shift Knob
22	723-3018	1	S	Drag Link Ball Joint
23	731-04602	1		Sleeve, .758 x .821 x 3.3125
24	731-04604	1		Sleeve, .758 x .821 x 2.4375
25	732-04370A	1	S	Extension Spring .62 dia. x 6.12
26	732-0525	1		Complete Spring Clip
27	732-0716D	1	/P	Extension Spring .59 x 4.0
28	732-0963	1		Extension Spring, .50 Dia. x 6.37
29	736-0169	1	S	L-Wash 3/8 ID
30	710-0224	1	S	Hex AB-Tap Scr #10 x .50" Lg.
31	738-0372B	1	/P	Shoulder Spacer
32	747-04146C	1	/P	Shift Rod
33	747-04164	1		Brake Rod
34	747-1127	1		Idler Adjustment Rod, 3/8
35	748-0334	1	S	Transaxle Spacer
36	750-0566A	1	/P	Spacer .260 x .375 x 1.030 Lg.
37	754-0467	1	S	Variable-speed Belt
38	754-0468	1	S	Drive Belt
39	756-04002	1	S	Pulley, V-Type, 7.25 dia.
40	756-04224	1	/P	Idler Pulley, Flat 2.75 OD
41	783-04283	1		Shift Bracket
42	783-04360	1		Shift Bracket F-N-R
43	783-04442	1		Idler Bracket
44	647-04100	1	S	Brake Control Assembly
45	647-0032A	1	S	Speed Control
46	683-0266	1		AutoDrive Pedal Assembly
47	736-0119	1	S	L-Wash 5/16 ID
48	710-1260A	1	/P	Hex Wash. Hd. Scr. 5/16-18 x .75 Lg.
49	736-0264	1	S	Flat Washer .344 ID x .625 OD x .063
50	711-04159B	1		Pin 3/8-16 x 2.68 Lg.
51	712-3004A	1	/P	Hex Flange L-Nut 5/16-18
52	732-0335	1		Compression Spring
53	732-0955	1		Compression Spring, .50 OD x 1.41

13AV606G597 (2008)  
Drive & Rear Wheels

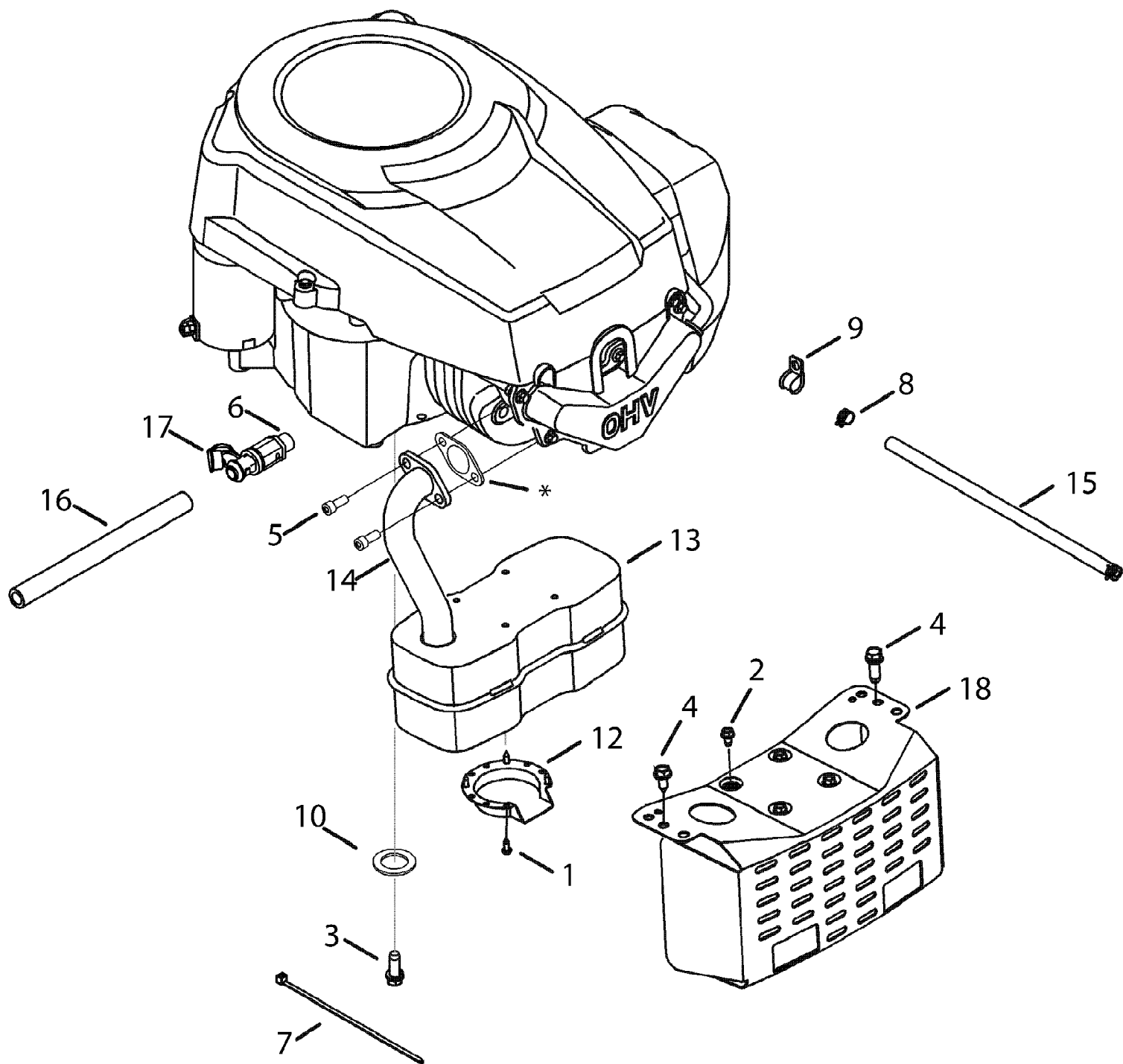
Page 3 of 27

Ref #	Part Number	Qty	S/P/F	Description
54	732-0963	1		Extension Spring, .50 Dia. x 6.37
55	735-0662	1		AutoDrive Pedal Pad
56	735-3049A	1	/P	Brake Pad
57	736-0187	1	/P	Flat Washer .640 ID x 1.24 OD x .06
58	736-0262	1	/P	Flat Washer .38 ID x .87 OD x .09
59	710-3103	1	/P	Hex Hd Cap Scr. 5/16-18 x 2.0 Gr. 5
60	712-3010	1	S	Hex Nut 5/16-18 Gr. 5
61	738-0155	1	S	Shld. Scr .437 Dia x .162 Lg.
62	738-0380	1	S	Shoulder Screw .500 x .25
63	741-0225	1	S	Hex Flange Bearing .630 ID
64	741-3065B	1	/P	Hex Flanged Bearing .628 ID
65	747-04093A	1		Brake Lock Rod
66	747-04096	1		Cruise Control Rod
67	748-04039C	1		Cruise Control Latch
68	783-0732A	1	/P	Lockout Bracket
69	747-04641A	1	S	Brake Pedal
70	783-04612	1	S	Steering Support Bracket
71	618-04566	1	S	Transmission Ass'y
72	683-04287	1		Torque Bracket Assembly
73	783-05904	1		Idler Bracket
74	710-0227	1	/P	Hex Wash HD AB S-Tapp Scr #8-.50
75	738-3005	1		Hex Screw 3/8-16 x 1.25
76	710-0604A	1	/P	Self-tapping Screw 5/16-18 x .625
77	732-1013A	1		Belt Guard
78	738-04162A	1	/P	Shoulder Spacer .884 ID x .190
79	725-1644	1		Short Spring Switch
80	726-0320	1	S	Insulator Nut Plate
81	710-04467	1		Sems Screw 3/8-16 x 2.5
82	756-04324	1		Idler Pulley, V-Type 5L x 3.06
83	656-04015	1	S	Variable Speed Pulley Ass'y 4.75 OD
84	683-04296	1		Pulley Bracket
85	710-0627	1	/P	Hex L-Bolt 5/16-24 x .75 Gr. 5
86	710-0778	1	/P	Hex Wash HD Bolt 1/4-20 x 1.50" Lg.
87	718-04261	1		Bearing Cup
88	736-0362	1	/P	Flat Washer .22 ID x 1.25
89	741-0124	1	S	Ball Bearing
90	783-04722	1		Switch Bracket, Parking Brake
91	736-0242	1	/P	Cupped Washer .345 ID x .88 OD x .060
92	712-04065	1	/P	Flange Lock-Nut 3/8-16 Gr. F Nylon
93	710-0599	1	/P	Hex Wash S-Tapp Scr 1/4-20 x .50
94	731-2290A	1	/P	Hub Cap
95	634-0104	1		Wheel Assembly Complete, 20 x 8 x 8
95	734-1873	1		Tire Only, 20 x 10 x 8, Square Shoulder Not shown
95	634-0177	1	/P	Wheel Assembly Complete, 20 x 10 x 8
95	734-1730	1		Tire Only, 20 x 8 x 8, Square Shoulder Not shown
95	634-04369	1		Rim Only Not shown
95	734-0255	1	S	Air Valve (Not Shown)
96	736-3010	1		Flat Washer .406 ID x .812 OD x .134
97	714-0507	1	S	Cotter Pin 3/32 x .75
98	725-3167	1		

13AV606G597 (2008)  
Drive & Rear Wheels

Page 4 of 27

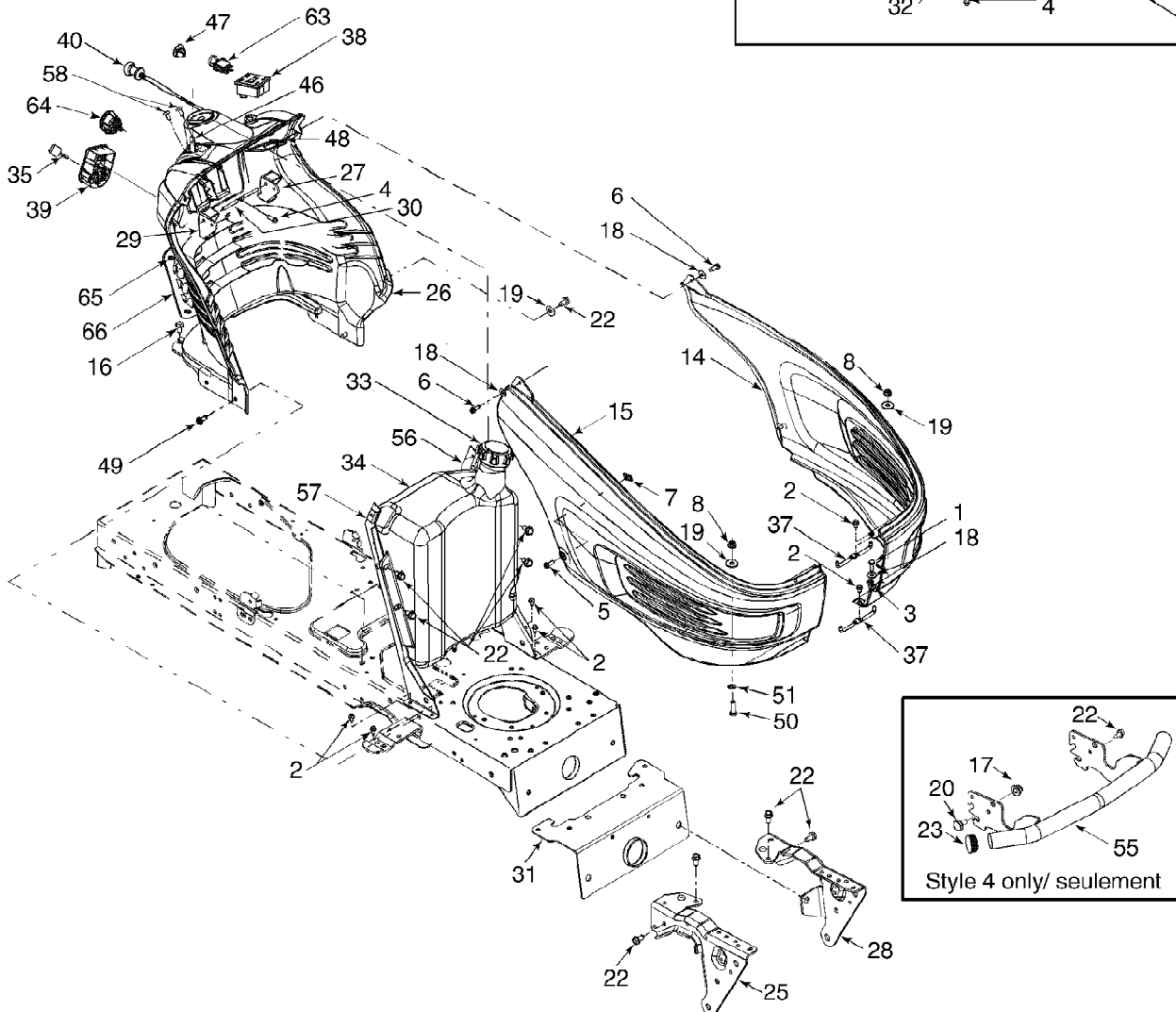
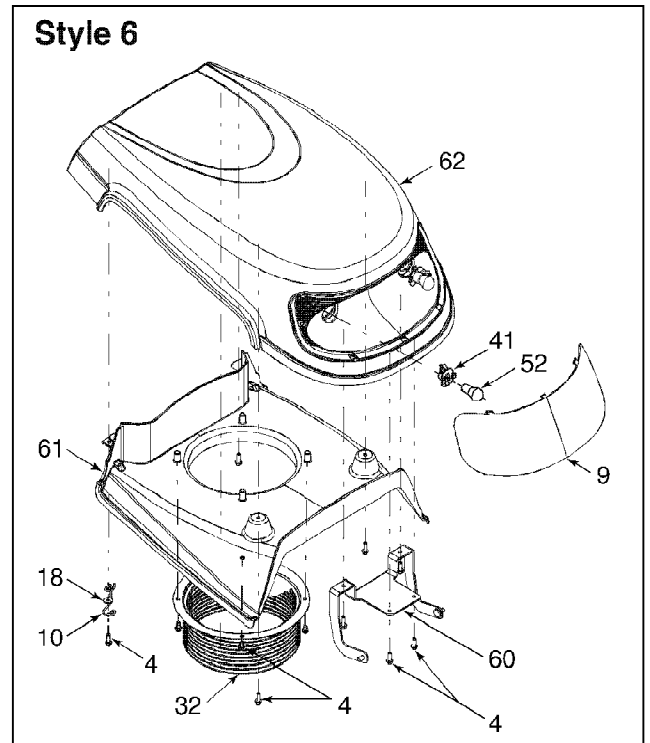
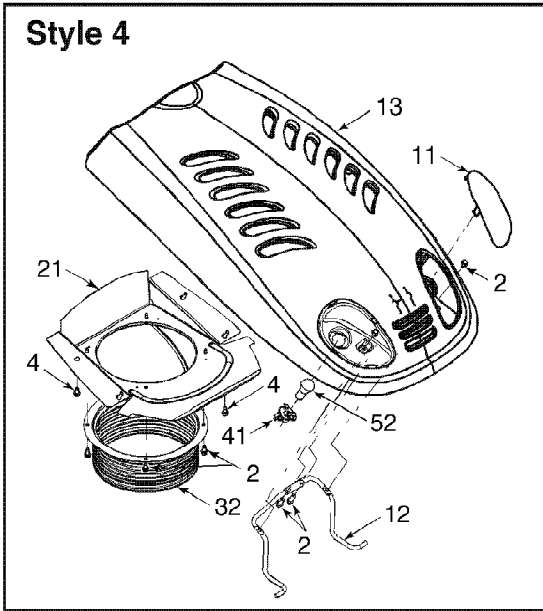
Ref #	Part Number	Qty	S/P/F	Description
99	618-04423A	1	S	Variable Speed Pulley Ass'y (Incl. Ref. Nos. 84-89)
100	736-0430	1	/P	Flat Washer .350 ID x 1.59 OD x .062



13AV606G597 (2008)  
Engine Connections

Page 6 of 27

Ref #	Part Number	Qty	S/P/F	Description
1	710-0227	1	/P	Hex AB Scr #8-18 x .50
2	710-0599	1	/P	Hex Wash S-Tapp Scr 1/4-20 x .50
3	710-04683	1		TT Screw 3/8-16 x 1.00
4	710-04484	1		S-Tapp Scr 5/16-18 x .75
5	710-1314A	1	/P	Scr. 5/16-18 x .75
6	N/A	1		Loctite 567 Sealant Purchase locally
7	725-0157	1	/P	Cable Tie
8	726-0205	1	/P	Hose Clamp
9	726-0272	1	/P	Clamp
10	736-0277	1		Flat Washer 1.031 x 1.620 x .095
12	751-0564A	1	S	Muffler Deflector
13	751-0617B	1	S	Muffler
14	751-10174	1		Exhaust Pipe
15	751-10349	1		Fuel Line
16	751-3141	1	S	Oil Drain Hose
17	751-10517	1	S	Oil Drain Cap
18	783-0615E	1		Muffler Bracket
		1		* Furnish from Kohler



13AV606G597 (2008)  
Hood & Grille

Page 8 of 27

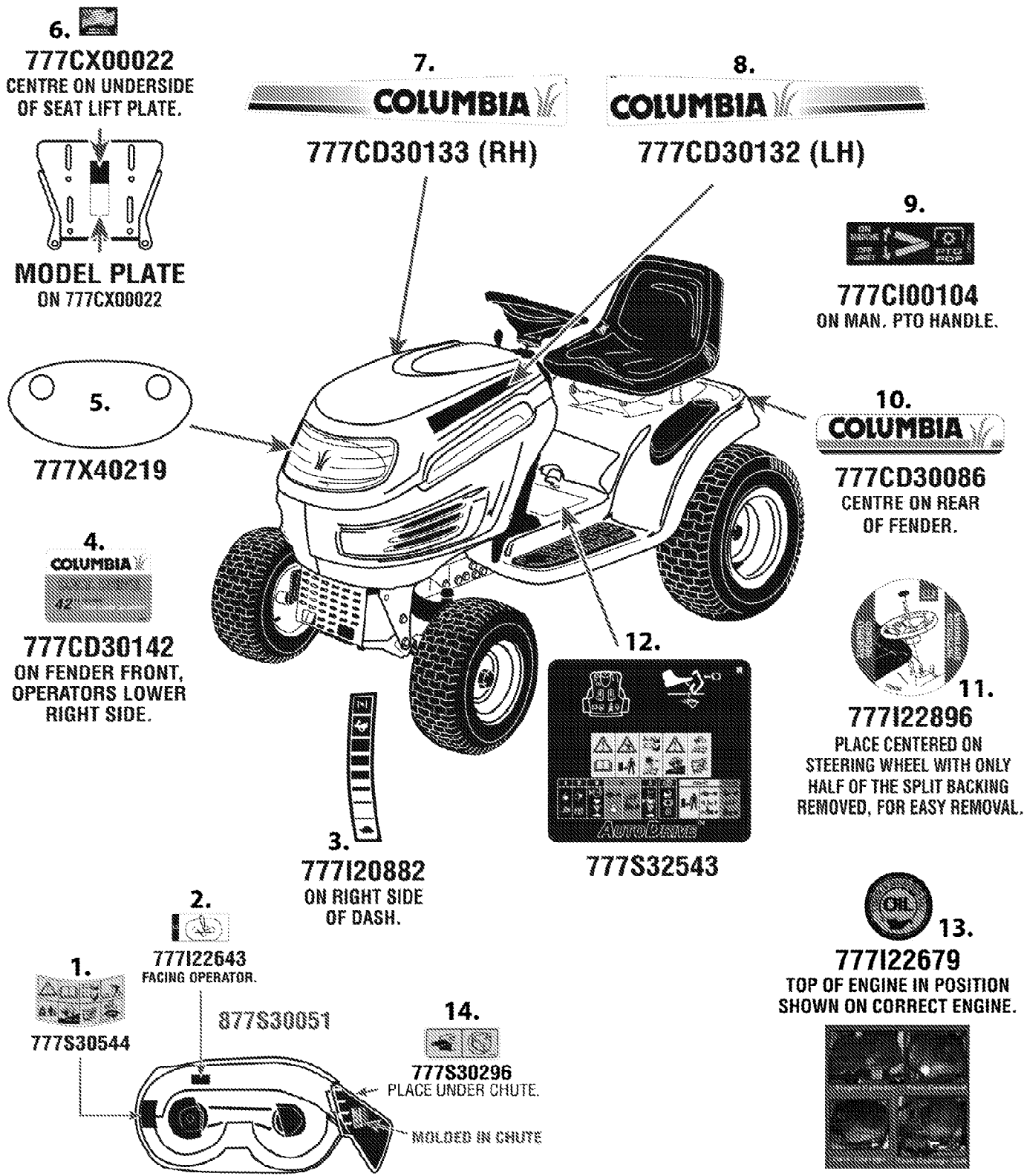
Ref #	Part Number	Qty	S/P/F	Description
1	710-3015	1	/P	Hex Cap Bolt 1/4-20 x .75" Lg. Gr. 5
2	710-0599	1	/P	Hex Wash S-Tapp Scr. 1/4-20 x .50
3	712-04064	1	/P	Hex L-Flanged Nut 1/4-20 Gr. F, Nylon
4	710-0895	1		Hex Tapp Scr 1/4 x .75" Lg.
5	710-0924	1	/P	Truss Mach Scr 1/4-20 x .75" Lg.
6	710-0642	1	/P	Thd Forming Scr. 1/4-20 x .75 Lg.
7	712-0292	1	/P	Speed Nut
8	712-04063	1	/P	Flange Locknut 5/16-18 Gr. F, Nylon
9	731-2286A	1	S	Head Light Lens Style 6
10	747-2127	1		Hood Latch Rod
11	731-1979	1	S	LH Head Light Lens Style 4
11	731-1978	1	S	RH Head Light Lens Style 4
12	747-1132A	1	/P	Hood Support Rod
13	731-1980B	1	S	Hood, Style 4 (Yellow)
14	731-04958	1	S	LH Side Panel, Style 4, Yellow
14	731-5473	1		LH Side Panel, Style 6
15	731-1982C	1	S	RH Side Panel, Style 4, Yellow
15	731-2308B	1	S	RH Side Panel, Style 6
16	710-0607	1	/P	Hex Wash HD AB Tap Scr 5/16-18 x .5
17	712-04065	1	/P	Flange Locknut 3/8-16 Gr. F, Nylon
18	736-0173	1	/P	Flat Washer .28 ID x .74 DE x .063
19	736-3078	1	/P	Flat Washer .344 ID x 1.0
20	738-0143	1	/P	Shoulder Scr. .498 x .340: 3/8-16
21	783-0808A	1	S	Heat Shield, 4-style
22	710-04484	1		S-Tapp Scr 5/16-18 x .75
23	731-05674	1		Bumper Cap
25	783-0726E	1	/P	RH Dash Support Plate
26	731-05002	1		Dash Panel, (w/Manual PTO)
26	731-05037	1		Dash Panel, (w/Electric PTO)
27	731-04213	1		Parking Brake Button
28	783-0727D	1		LH Dash Support Plate
29	731-04214	1		Cruise Control Button
30	747-1155	1		Brake/Cruise Pivot Rod
31	783-0728B	1		Pivot Bar Brkt.
32	731-2232A	1	/P	Intake Bellow (Kohler and Intek Single)
32	731-2234A	1	/P	Intake Bellow (Intek Twin Engine)
33	751-0603	1	S	Cap-Fuel
34	751-0818D	1	S	Fuel Tank 2 Gal. (w/Electric PTO)
34	751-0659D	1	/P	Fuel Tank 2 Gal. (w/Manual PTO)
34	751-0658E	1	/P	Fuel Tank 3 Gal.
35	725-1745	1	S	Ignition Key w/Plastic Cover
35	725-1744	1	S	Ignition Key w/o Plastic Cover
37	747-04301	1		Side Panel Support
38	725-04036A	1	S	Systems Indicator Monitor w/Hour Meter
38	725-04036	1	S	Sys. Ind. Mon. w/Hr. Mtr., Curved Face
39	725-04230B	1	S	Ignition Switch-Export Module
40	746-1085A	1	S	Choke Cable 39" Lg. (Twin (optional))
40	746-1088	1	S	Choke Cable 23" Lg. (Single) (optional)
41	725-1649	1	S	Socket
46	746-04365	1		Throttle/Choke Cable (Twin 20 HP)
46	746-04417	1	S	Throttle/Choke Cable (Twin 25 HP)
46	746-04364	1		Throttle/Choke Cable (Single)
47	731-1999			



13AV606G597 (2008)  
Hood & Grille

Page 9 of 27

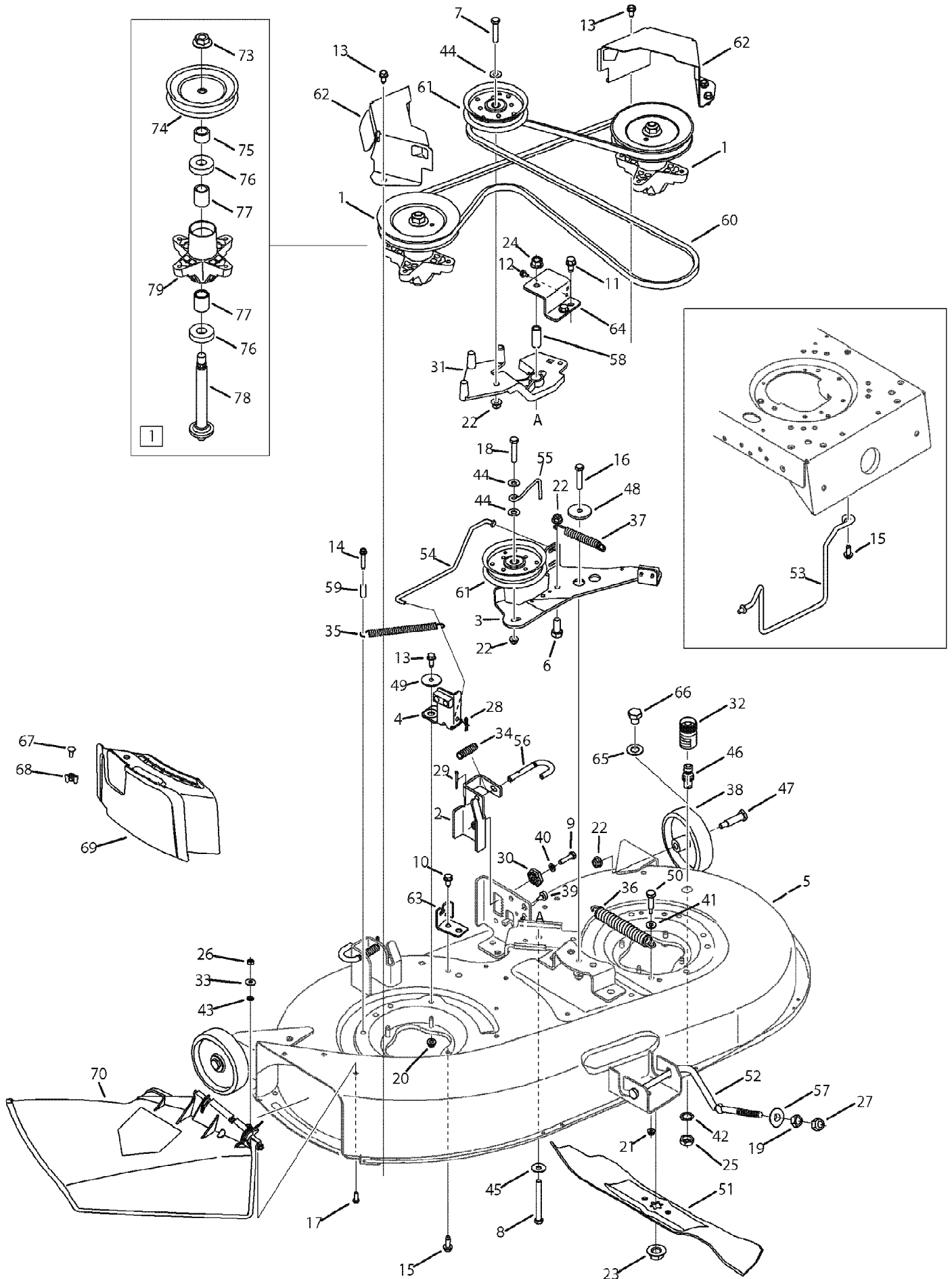
Ref #	Part Number	Qty	S/P/F	Description
48	783-0462	1	/P	Bracket - PTO Switch
49	710-1611B	1	/P	Screw 5/16-18 x .75
50	710-0376	1	/P	Hex Scr 5/16 x 1,00 Gr. 5
51	726-0201	1		Push Speed Nut
52	725-0963	1	S	Miniature Lamp 12V Socket Type
53	711-0332	1	S	Clevis Pin
54	714-0145	1	S	Hairpin Cotter
55	683-04219A	1	S	Bumper Assembly
56	783-04323F	1	S	L.H. Dash Support Plate
57	783-04285F	1	S	R.H. Dash Support Plate
58	710-1017	1	/P	Torx Mach. AB-Tapp Scr. 1/4-14 x .625 Lg
60	683-0305	1	S	Hood Bracket Assembly
61	731-2284	1		Hood Plenum
61	731-2358	1		Hood Plenum-Black
62	731-2283A	1	S	Hood, Style 6
62	731-05160	1	S	Hood, Style 6, Beige
63	725-1752	1	S	Electric PTO Switch (if equipped)
64	725-1741	1	S	Ignition Switch
65	726-04029	1		Ratchet Clip .30 Dia.
66	735-04023	1		Accessory Net
67	725-04404A	1	S	Headlight Harness (Elect. PTO w/hr. meter)
67	725-04403A	1	S	Headlight Harness (Manual PTO w/hr. meter)
	629-04083B	1	S	Wire Harness (not shown)



13AV606G597 (2008)  
Label Map

Page 11 of 27

Ref #	Part Number	Qty	S/P/F	Description
1	777S30544	1		LABEL-DECK SAFETY
2	777I22643	1		LABEL-DECK BELT ROUTE 42"
3	777I20882	1		LABEL-DASH THROTTL
4	777CD30142	1		LABEL-CVT 42" FNDR
5	777X40219	1		LABEL-LENS REFLECT
6	777CX00022	1		LABEL-MADE IN USA
7	777CD30133	1		LABEL-HOODSIDE RH STY 6
8	777CD30132	1		LABEL-HOODSIDE LH STY 6
9	777CI00104	1		LABEL-MANUAL PTO CANADA
10	777CD30086	1		LABEL-REAR FENDER
11	777I22896	1		LABEL:RIDER STEERING WHEEL CAP
12	777S32543	1	S	LABEL-SAFETY
13	777I22679	1		LABEL-CHECK ENG OIL
14	777S30296	1		LABEL:RIDER DECK: UNDERCHUTE EXP



13AV606G597 (2008)  
Mowing Deck

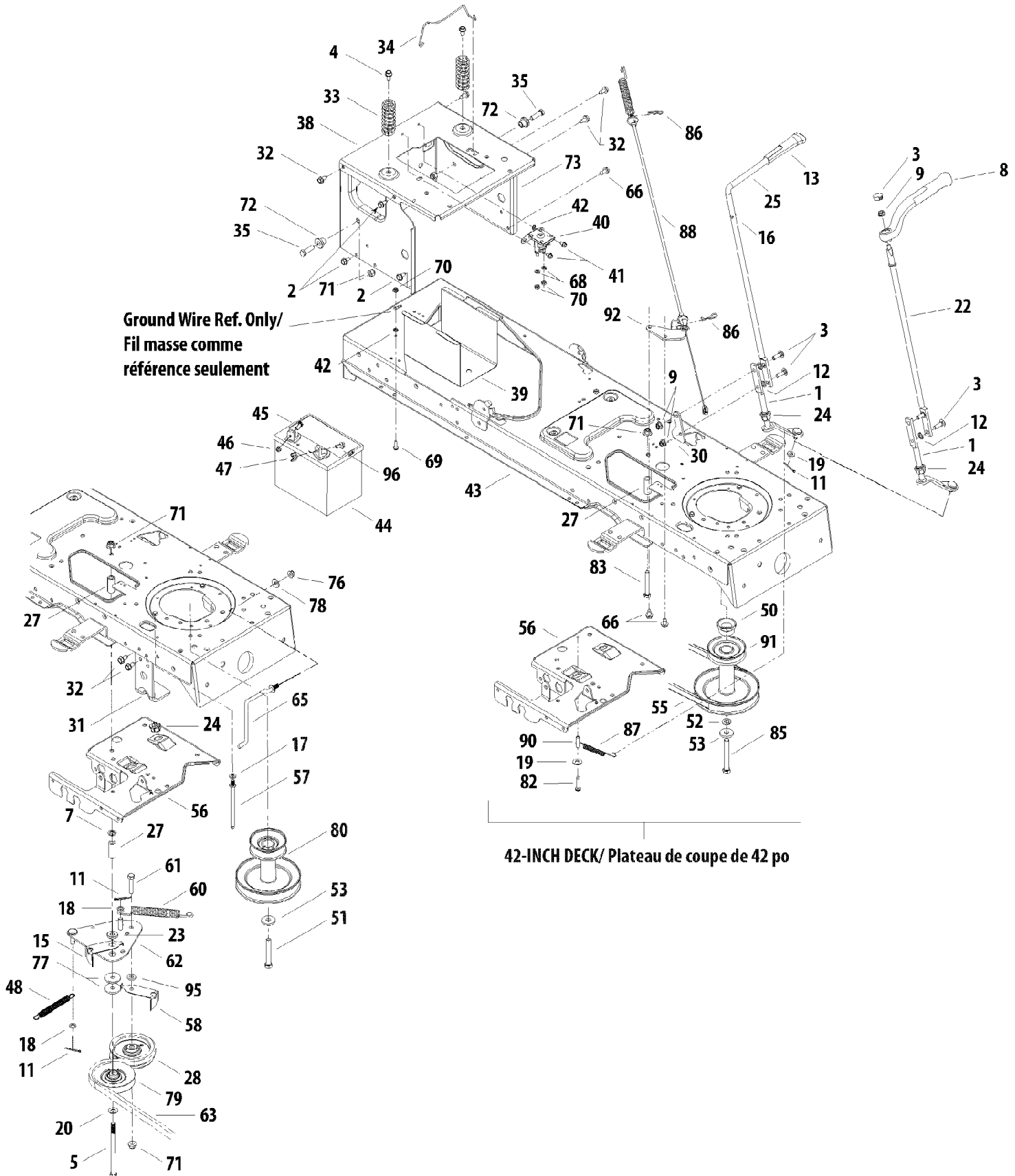
Page 13 of 27

Ref #	Part Number	Qty	S/P/F	Description
1	618-04456	1	S	Spindle Ass'y Pulley 6.3 Dia.
2	683-0254B	1	/P	Deck Adjustment Bracket w/Weld Nut
3	683-04138B	1	/P	Brake Assembly 42" Deck Manual PTO
3	783-04491D	1		Pivot Idler Bracket Electric PTO
4	683-04167	1	S	Deck Brake Assembly Manual PTO
5	683-04261	1	S	Deck Ass'y 42" w/wh. brkt
6	710-0216	1	/P	Hex Cap Screw 3/8-16 x .75 Manual PTO
6	710-0514	1	/P	Hex Cap Screw 3/8-16 x 1.0 Electric PTO
7	710-0347	1	/P	Hex Screw 3/8-16 x 1.75
8	710-0510	1	/P	Hex Screw 1/4-20 X 2.00
9	710-0528	1	/P	Hex Bolt 5/16-18 x 1.25
10	710-04484	1		S-Tapp Scr 5/16-18 x .75
11	710-0623	1	/P	Hex S-Tapp Scr 3/8-24 X .50
12	710-0653	1	/P	Hex Wash HD Tapp Scr 1/4-20 x .375 Manual PTO
13	710-3008	1	/P	Hex Hd. Cap Scr. 5/16-18 x .75
14	710-0778	1	/P	Hex Wash HD Bolt 1/4-20 x 1.50" Lg.
15	710-1260A	1	/P	Hex Wash. Hd. Scr. 5/16-18 x .75 Lg.
16	710-3005	1	/P	Hex Bolt 3/8-16 x 1.25
17	710-3015	1	/P	Hex Cap Bolt 1/4-20 x .75" Lg.
18	710-3144	1	/P	Hex Bolt 3/8-16 x 2.0" Lg. (Gr. 5)
19	712-0206	1	S	Hex Nut 1/2-13
20	712-04063	1	/P	Flange Locknut 5/16-18 Gr. F, Nylon Manual PTO
21	712-04064	1	/P	Hex L-Flanged Nut 1/4-20 Gr. F Nylon
22	712-04065	1	/P	Flange Lock-Nut 3/8-16 Gr. F Nylon
23	712-0417A	1	/P	Hex Flange Nut 5/8-18
24	712-0459	1	/P	Flange Lock Nut, 7/16-20
25	712-0641	1	S	Hex Nut M16-1.5 DIN 936
26	712-3006	1	/P	Hex Nut 1/4-20 Gr. 5
27	712-3083	1	/P	Hex Nut, 1/2-13
28	714-0104	1	S	Int. Cotter Pin .072 x 1.13" Lg. Manual PTO
29	714-0470	1	S	Cotter Pin 1/8" Dia x 1.25
30	717-04074	1	S	Deck Adjustment Gear
31	719-04233	1	S	Idler Bracket Electric PTO
32	721-04041	1	S	Water Nozzle Adaptor
33	726-0233	1	/P	Bolt Retainer 1/4" x .50" OD
34	732-0306A	1	S	Compression Spring .531 OD x 1.75 Lg.
35	732-04287	1		Extension Spring .50 dia x 6.37 Manual PTO
35	732-04391	1		Extension Spring .94 x 7.57 Electric PTO
36	732-0459C	1	/P	Extension Spring .94 x 6.74
37	732-0470A	1	S	Ext. Spring 4.74" Lg. Manual PTO
38	734-0973	1	/P	Wheel Ass'y - Deck 5" x 1.38"
39	735-0271A	1	/P	Bumper
40	736-0119	1	S	L-Wash 5/16 ID
41	736-0173	1	/P	Flat Washer .28 ID x .74 DE x .063
42	736-0225	1	/P	L-Washer Internal
43	736-0270	1	/P	Cupped Washer .265 ID x .75 OD x .062
44	736-0300	1	S	Flat Washer .385 ID x .87 OD x .06
45	736-0322	1	/P	Flat Washer .450 x 1.25 x .164
46	737-04003D	1	/P	Port, Water
47	738-0373	1	S	Spindle Bolt 1.498 Dia x 1.53 x 3/8-16

13AV606G597 (2008)  
Mowing Deck

Page 14 of 27

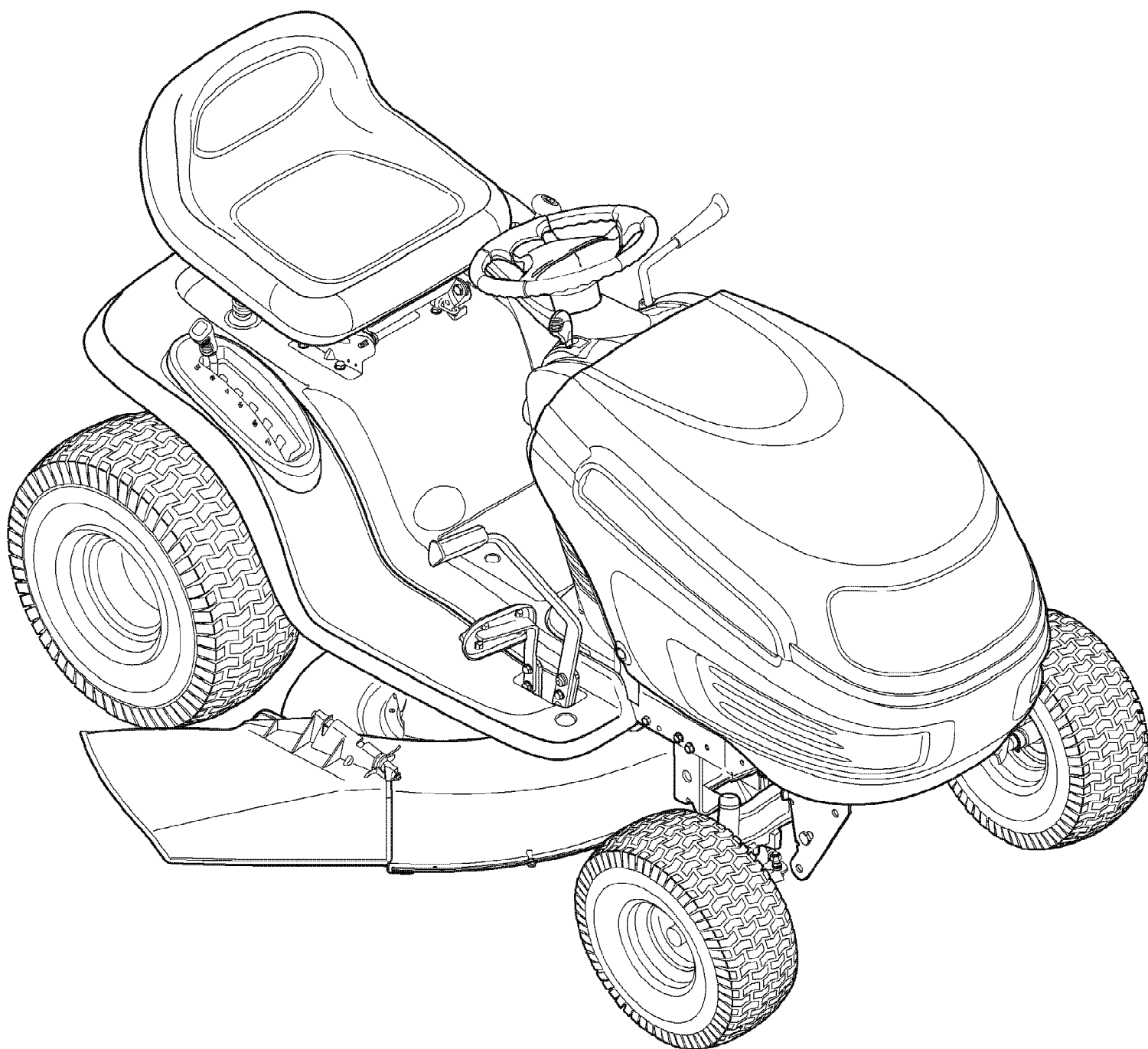
Ref #	Part Number	Qty	S/P/F	Description
48	738-04162A	1	/P	Shoulder Spacer .884 x .190
49	738-04166	1		Shoulder Spacer .50 x .1475 Manual PTO
50	738-04272	1		Shoulder Screw .374 x 1.16
51	742-0616A	1	S	3 in 1 Blade 21.23" Lg.
52	747-04269A	1	/P	Adjustable Front Deck Rod
53	683-04443	1	S	Belt Keeper Rod 42" Deck
54	747-04501	1		Brake Control Rod 42" Manual PTO
55	747-04530	1		Belt Keeper Rod, 42" Idler
56	747-1116	1	/P	Deck Release Pin
57	748-04069	1		Deck Lift Pivot Cup
58	750-04637B	1		Spacer .455 x .697 x 1.585
59	750-0566A	1	/P	Spacer .260 x .375 x 1.030 Lg.
60	754-04045	1	S	V-Belt
61	756-04129	1	S	Idler Poulie w/Flange 4.25 Dia
62	783-04327B	1		Belt Covers 6.0 dia.
63	783-04740	1		Cable Deck Engage Bracket Manual PTO
64	783-05490	1		Support Bracket
65	736-0187	1	/P	Flat Washer .640 ID x 1.24 OD x .06
66	738-04146	1		Screw Plug M16 x 1.50
67	710-0134	1	/P	Carriage Bolt 1/4-20 x .62
68	712-3087	1	/P	Wing Nut 1/4-20 Thd.
69	731-2363	1	/P	Mulching Plug
70	731-1032B	1	S	Chute Deflector (Plastic)
73	712-0417A	1	/P	Hex Flange Nut 5/8-18
74	756-1227	1	S	Deck Pulley 6.3 Dia.
75	750-04739	1		Spacer .820 x 1.150 x .480
76	741-0919	1	S	Ball Bearing 20 x 47 x 14:6204:DS
77	750-1000	1		Spacer .080 x 1.10 x 1.322" Lg.
78	738-04241	1	S	Spindle Shaft 5.50" lg.
79	619-0019C	1		Deck Spindle Housing



Ref #	Part Number	Qty	S/P/F	Description
1	647-04036A	1	S	PTO Engage lever Assembly
2	710-0604A	1	/P	Hex Hd. TT Scr. 5/16-18 x .625
3	710-0276	1	/P	Carriage Bolt 5/16-18 x 1.00" Lg
4	710-1260A	1	/P	Hex Wash HD AB Tap Scr 5/16-12 x .75
5	710-0831	1		Hex Cap Screw, 3/8-16 x 1.5
7	712-0229	1		Push Nut Bolt Retainer
8	647-04147	1		PTO Knob
9	712-3004A	1	/P	Hex Flange L-Nut 5/16-18
11	714-0115	1	S	Cotter Pin 1/8" Dia x 1.00
12	726-0201	1		Push Speed Nut
13	731-2111B	1	/P	PTO Knob
15	732-04245A	1		Belt Guard
16	736-0108	1	S	Flat Washer .510 ID x .75 OD x .033
17	736-0119	1	S	L-Wash 5/16 ID
18	736-0140	1	S	Flat Washer .385 ID x .62 OD x .06
19	736-0173	1	/P	Flat Washer .28 ID x .74 OD x .063
20	736-0300	1	S	Flat Washer .385 ID x .87 OD x .06
21	720-0425	1		Cap Plug .812 dia.
22	747-04855	1		Deck Engagement Handle
23	738-0372B	1	/P	Shoulder Spacer
24	741-0708	1		Hex Split Flange Bearing .50 ID
25	747-04855	1		Deck Engagement Handle
27	748-0415B	1	/P	Spacer .385 ID x .635 OD x 1.54
28	756-0627D	1	/P	Flat Idler Pulley 3.5 OD
30	783-0744A	1		Engagement Stop Bracket
31	783-04467	1		Deck Stop
32	710-0726	1	/P	Hex Wash HD AB Tap Scr 5/16 x .75
33	732-04035	1		Compression Spring 1.28 x 3.125
34	747-04121A	1		Battery Retainer Rod
35	710-3005	1	/P	Hex Bolt 3/8-16 x 1.25
38	783-04329A	1		Frame Seat Bracket
39	783-0349	1		Battery Tray
40	725-1426	1	S	Solenoid
41	710-0599	1	/P	Hex Wash S-Tapp Scr 1/4-20 x .50
42	736-0222	1	S	Ext. L-Washer 1/4 ID
43	683-04173B	1		Lower Frame Assembly
44	725-1707D	1	S	Battery 245 CCA (Dry)
45	710-0703	1	/P	Carriage Bolt 1/4-10 x .75
46	712-0271	1	/P	Sems Hex Nut 1/4-20
47	712-3087	1	/P	Wing Nut 1/4-20 Thd.
48	732-1165	1	S	Extension Spring .50 x 5.0
50	750-0956	1		Spacer 1.010 x 1.4 x .825
51	710-04377	1		Hex Bolt 7/16-20 x 2.75 Gr. 5
52	736-0322	1	/P	Flat Washer .450 x 1.25 x .164
53	736-0171	1	S	Lockwasher 7/16 ID
55	754-0497	1	S	PTO Belt (w/42" deck)
56	783-04612	1	S	Steering Support Bracket
57	711-1044A	1	/P	Keeper Pin 5/16 x 4.75
58	732-1013	1		Belt Guard
60	732-0944	1		Extension Spring .75 x 6.75
61	710-1007	1	/P	Hex TT Sems Scr. 3/8-16 x 1.5
62	683-0302	1	/P	PTO Engagement Plate
63	754-04064	1		PTO Belt (w/46" Deck)



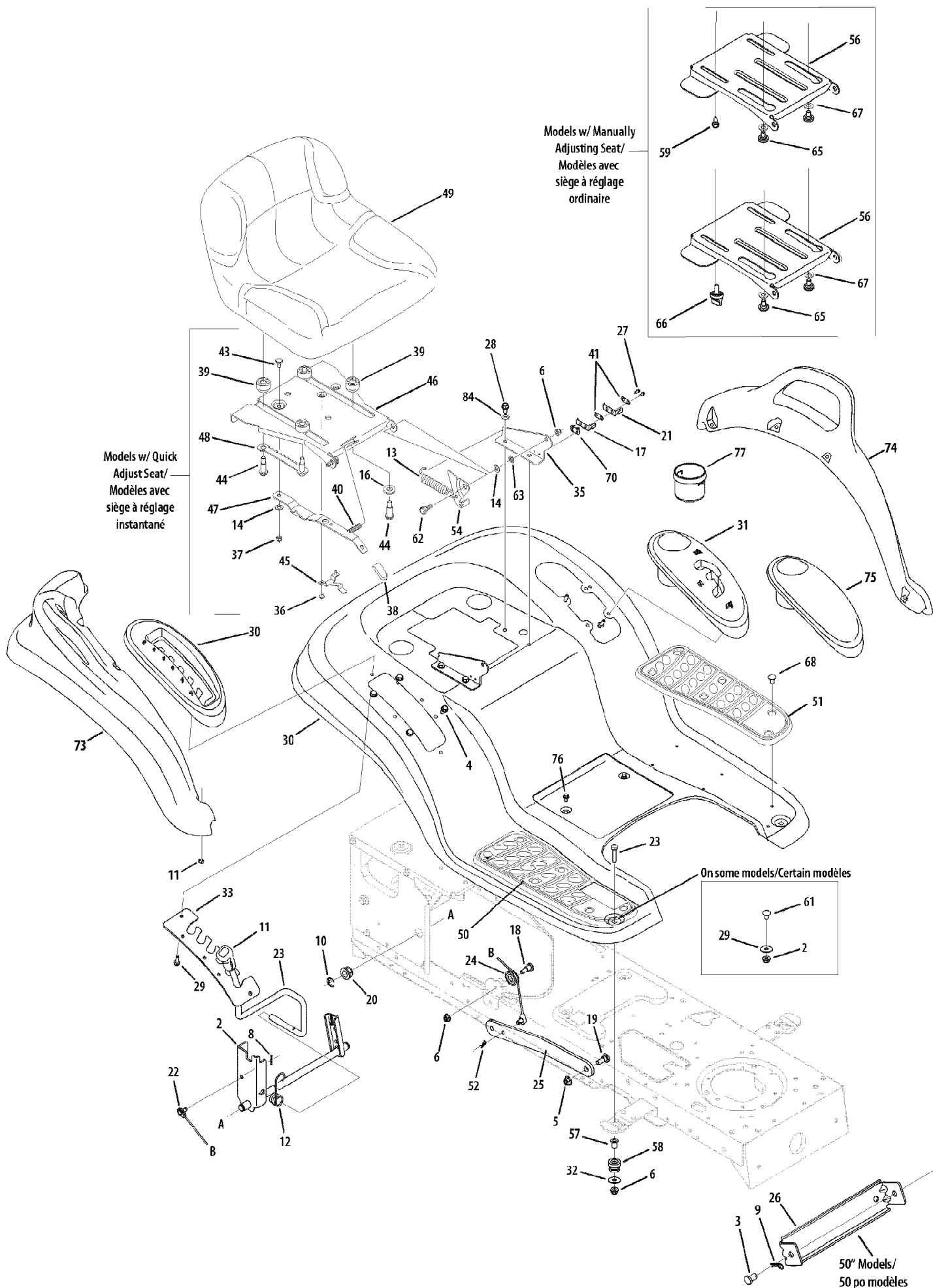
Ref #	Part Number	Qty	S/P/F	Description
65	747-04355	1		Belt Keeper Rod
66	710-0607	1	/P	Hex Wash HD S-Tapp Scr 5/16-18 x .50
68	736-0329	1	S	L-Wash 1/4 ID
69	710-0642	1	/P	Thd Forming Scr. 1/4-20 x .75 Lg.
70	712-04064	1	/P	Hex L-Flanged Nut 1/4-20 Gr. F Nylon
71	712-04065	1	/P	Flange Lock-Nut 3/8-16 Gr. F Nylon
72	738-04058	1		Shoulder Spacer .38 x 1.0 x .70
73	783-04809	1	/P	Upper Frame
77	736-0227	1	S	Flat Washer .39 ID x 1.5 OD x .135
78	736-0242	1	/P	Cupped Washer .345 ID x .88 OD x .060
79	756-0487	1	/P	4" Dia. V-Idler
80	756-04207	1	S	Engine Pulley 3.39 x 6.12 Dia 46" Trans.
80	756-04208A	1	/P	Engine Pulley 3.56 x 6.12 Dia 46" Hydro
82	710-0778	1	/P	Hex Bolt 1/4-20 x 1.5
83	710-0859	1	/P	Hex Cap Screw, 3/8-16 x 2.5
85	710-04608	1		Hex Bolt 7/16-20 x 3.25 Gr. 5
86	714-0145	1	S	Internal Cotter Pin
87	732-04248	1		Extension Spring .38 OD x 3.9 Lg.
88	746-04353A	1	S	Deck Engage Cable
90	750-0566A	1	/P	Spacer .260 x .375 x 1.030 Lg.
91	756-04196	1	S	Engine Pulley 3.39 x 6.12 dia 42" Trans
91	756-04195	1	S	Engine Pulley 3.56 x 6.12 Dia 42" Hydro
92	783-05358	1		Cable Bracket
95	736-3010	1		Flat Washer .406 ID x .812 OD x .134
96	738-1132	1		Shoulder Screw, 1/4-20



13AV606G597 (2008)  
Quick Reference

Page 19 of 27

Ref #	Part Number	Qty	S/P/F	Description
	759-3336	1	/P	Spark Plug
	KH-12-050-01-S	1	/P	Oil Filter
	N/A	1		Pre Filter
	KH-20-083-02-S	1		Air Filter
	KH-25-050-21-S	1	/P	Fuel Filter
	751-0603	1	S	Fuel cap
	618-04456	1	S	Deck Spindles
	742-0616A	1	S	Blades
	712-0417A	1	/P	Blade Nut
	754-0468	1	S	Upper Drive Belt
	754-0467	1	S	Lower Drive Belt
	754-0497	1	S	PTO Belt
	754-04045	1	S	Deck Belt
	734-0973	1	/P	Deck Wheels
	721-04041	1	S	Water Nozzle Adapter
	725-1745	1	S	Ignition Keys
	725-1741	1	S	Ignition Switch Module
	725-1752	1	S	PTO Switch
	717-04174A	1	S	PTO Clutch
	731-1032B	1	S	Discharge Chute
	731-2363	1	/P	Mulch Plug
	OEM-190-032	1	/P	42-inch Two-stage Snow Thrower
	OEM-190-116	1	/P	42-inch Deck Mulch Kit
	OEM-190-180	1	S	Twin Bagger Grass Collector (for 42-inch Decks)
	OEM-190-218	1		Rear Wheel Weight Kit
	OEM-190-607	1		Deluxe Tractor Sunshade
	OEM-190-658	1	S	Tire Chains, 20 x 8 Tires
	OEM-190-679	1	/P	Grille Guard (mounts on front of tractor)
	OEM-190-833	1	/P	46-inch Front Dozer Blade
	490-900-0025	1		Deck Wash Kit



13AV606G597 (2008)  
Seat & Fender

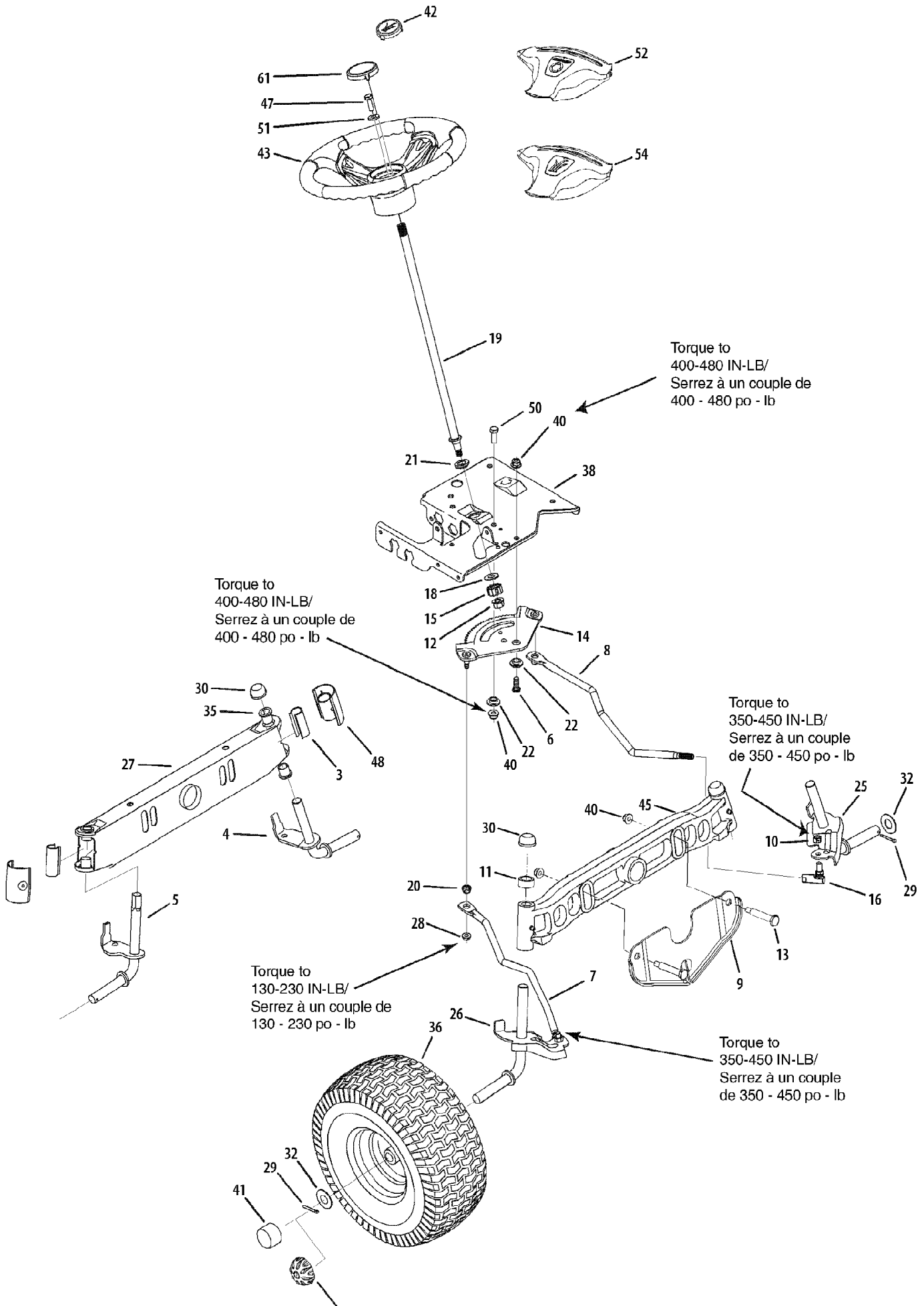
Page 21 of 27

Ref #	Part Number	Qty	S/P/F	Description
1	747-1130B	1	/P	Deck Stabilizer Rod
2	683-04223	1	S	Lift Shaft Assembly (42" and 46" Deck)
3	711-0332	1	S	Clevis Pin
4	710-04484	1		S-Tapp Scr 5/16-18 x .75
5	712-04065	1	/P	Hex Flange Locknut 3/8-16 Gr. F,Nylon
6	712-04063	1	/P	Hex Flange Locknut 5/16-18 Gr. F Nylon
7	712-3083	1	/P	Hex Nut, 1/2-13
8	714-0104	1	S	Int. Cotter Pin 5/16 Dia.
9	714-04023	1	S	Internal Cotter Pin .080 x 1.5625
10	716-0106A	1		E-ring
11	720-0311	1		Handle Grip
12	732-0874	1	/P	Torsion Spring
13	732-1184	1	/P	Extension Spring .84 x 4.6
14	736-0242	1	/P	Cupped Wash. .345 ID x .88 OD x .060
16	736-3019	1		Flat Washer .531 ID x 1.062 OD x .134
17	725-1439	1		Spring Switch, Inner
18	738-0138A	1	/P	Shoulder Scr. .437 Dia x .47
19	738-0380	1	S	Shoulder Screw .500 x .25 (46"/50")
20	741-0225	1	S	Hex Flange Bearing .630 ID
21	725-1303	1	S	Spring Switch, Outer
22	746-0968	1		Lift Cable, 16.16
23	747-04447	1		Lift Handle
24	756-1154	1		Roller Pulley
25	783-05546	1	S	Arm Lift
26	783-0720A	1	S	Deck Stabilizer Bracket
27	726-0278	1		Insulator Plate
28	710-04484	1		S-Tapp Scr 5/16-18 x .75 (w/783-0677B)
28	710-1611B	1	/P	Screw 5/16-18 x .75 (601)
29	710-0895	1		Hex Scr. 1/4-15 x .75
30	731-1990	1		Lift Lever Cover
31	731-2104C	1	S	Shift Lever Cover w/Cup Holder
32	736-3078	1	/P	Flat Washer .344 ID x 1.0
33	783-0677B	1		Lift Adjustment Bracket
34	783-04331A	1		Fender (801)
34	783-04333A	1		Fender
35	783-1489C	1		Seal Mounting Bracket
36	710-1268	1	/P	Hex B-Tapp Wash Scr #10-16 x .375
37	712-04064	1	/P	Hex Flange Locknut 1/4-20 Gr. F Nylon
38	720-0309A	1	/P	Seat Adjuster Grip
39	731-04074	1		Spacer
40	732-0499	1		Compression Spring 1.5" Lg
41	736-0242	1	/P	Cupped Washer .340 ID x .872 OD x .060
43	738-0137A	1	S	Shoulder Screw .340 x .285: 1/4-20
44	738-0966A	1	/P	Shoulder Screw, .50 x .925, 3/8-16
45	783-0611	1		Seat Stop
46	783-0738D	1	/P	Seat Pivot Bracket
47	783-0739A	1	S	Seat Adjustment Lever
48	783-0753	1		Seat Adjustment Selector
49	757-04003A	1	/P	Seat 15.279" High, High Back-Blk
49	757-04012D	1		High Back Seat YM Yellow
50	735-0656	1		RH Foot Pad
51	735-0657	1		LH Foot Pad
52	714-0111	1		Pin 3/32 dia. x 1.00 Lg.

13AV606G597 (2008)  
Seat & Fender

Page 22 of 27

Ref #	Part Number	Qty	S/P/F	Description
53	783-04963A	1		Deck Lift Link (46" Man PTO/50")
54	783-0209D	1	/P	Seat Lift Bracket
56	783-04081B	1		Seat Pivot Bracket, Manually Adjusted
57	735-0190	1		Grommet
58	750-3310	1		Flg. Spacer .3125 x .4375 x .625
59	710-0870	1	/P	Hex Wash Hd Scr. 3/8-16 x .625 Gr. 5
61	726-3046	1	/P	Ratchet Clip .25 Dia.
62	738-0296	1	S	Shoulder Bolt .437 Dia. x .268
63	726-0201	1		Push Speed Nut (Quick Adjustment Only)
65	738-04012A	1	/P	Shoulder Spacer .625 x .175, 3/8-16
66	720-04061	1		Knob, 3/8-16 x .625
67	736-0300	1	S	Flat Washer .406 x .875 x .059
68	710-0451	1	/P	Carriage Bolt 5/16 x 18 x .75" Lg.
69	710-0604A	1	/P	Hex TT Scr. 5/16-18 x .875
70	726-0278	1		Insulator Plate
71	710-0932	1	/P	Carriage Bolt 1/4-20 x 1.00" Lg.
72	712-0271	1	/P	Sems Hex Nut 1/4-20
73	731-2618	1		RH Fender Flare
74	731-2619	1		LH Fender Flare
75	731-1993A	1		Cover w/Cup Holder
76	710-0599	1	/P	Hex Wash S-Tapp Scr 1/4-20 x .50
77	731-04591	1	S	Cup Holder, Style 7
78	712-0206	1	S	Hex Nut 1/2-13
79	736-3084	1	/P	Flat Washer .510 x 1.12 x .06
80	738-1011A	1	/P	Shoulder Screw .50 x 2.230:3/8-16
81	738-04130	1		Shoulder Screw .625 x .175: 3/8-16
82	783-04494B	1		Deck Lift Arm RH (42" Deck)
82	783-04711B	1	/P	Deck Lift Arm LH (Not Shown)
84	736-0607	1	/P	Ext. Lockwasher 5/16 ID
87	725-1713	1		Spring Switch
88	726-0320	1	S	Insulator Nut Plate



13AV606G597 (2008)  
Steering

Page 24 of 27

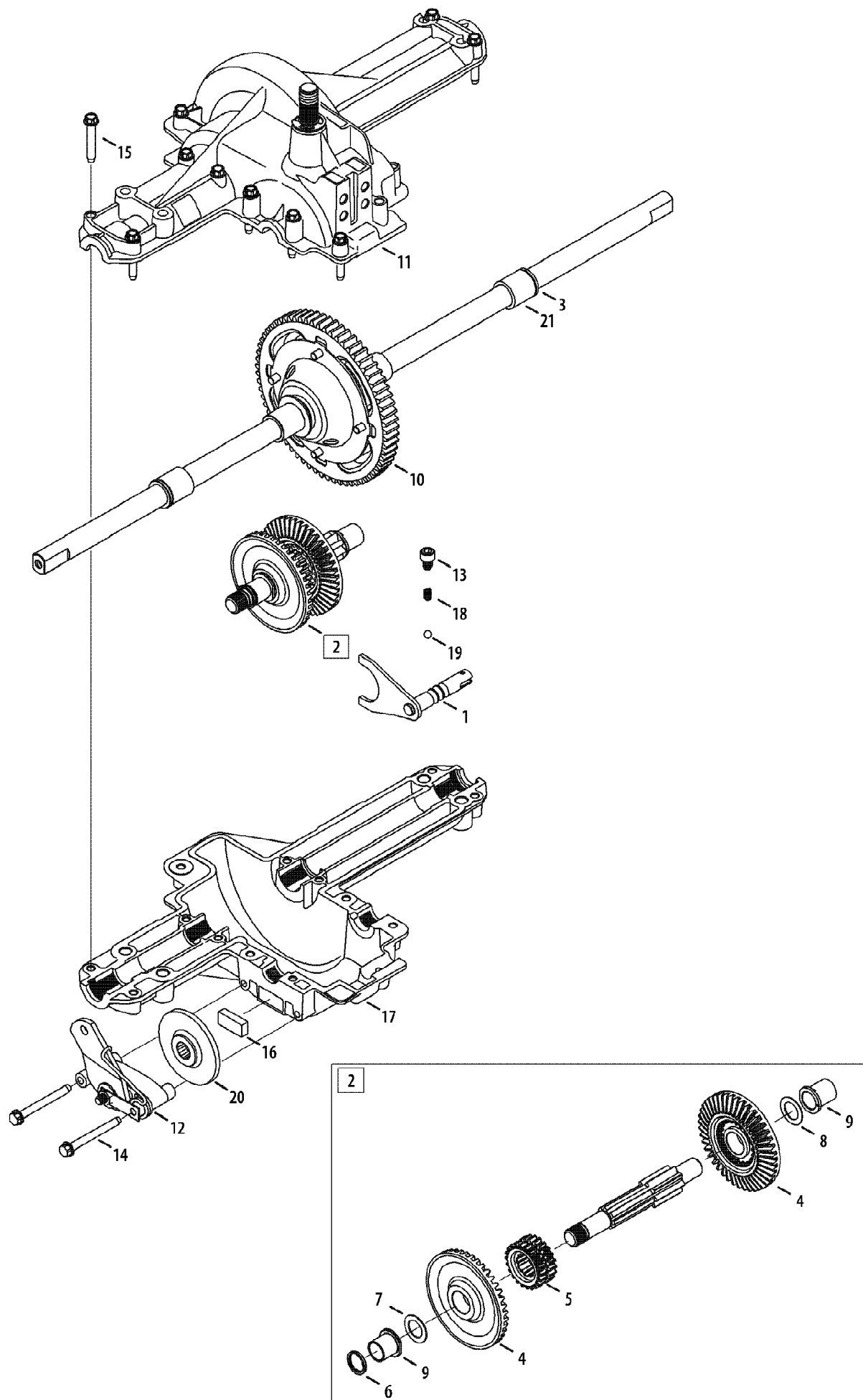
Ref #	Part Number	Qty	S/P/F	Description
1	683-04173B	1		Lower Frame Assembly
3	731-04057A	1		Axle End Cap - Std.
4	638-04006	1	S	LH Axle Assembly, .750 Dia. 42" Deck
5	638-04005	1	S	RH Axle Assembly, 750 Dia. 42" Deck
6	710-04095	1		Hex Cap Screw 3/8-16 x 1.00 Gr. 5 Spec.
7	711-1408	1		RH Drag Link
8	711-1409A	1	/P	LH Drag Link
9	783-04568	1		Fr. Deck Hanger Brkt. (Style 6 w/46" deck)
10	712-0214	1	S	Hex Cent. L-Nut 3/8-24
11	748-04068	1		Spacer .71 ID x .125 OD x .56" Lg.
12	712-0459	1	/P	Flange Lock Nut, 7/16-20
13	738-04128	1		Shoulder Bolt .50 x 2.38: 3/8-16
14	717-1550E	1	S	Steering Gear, 11/90 Ratio
15	717-1554	1		Steering Pinion Gear
16	723-0448A	1	S	Ball Joint, 7/16 - 20
18	736-3084	1	/P	Fl. Washer .510 x 1.120 x .060
19	738-04263	1		Steering Shaft, .625 OD x 24.25
20	741-0475	1	S	Plastic Bushing .380 ID
21	741-04237	1		Hex Flange Bearing, 5/8
22	738-04154	1		Shoulder Spacer
25	638-04003A	1	S	LH Axle Assembly, .750 Dia.
26	638-04004A	1	S	RH Axle Assembly, .750 Dia.
27	683-0128B	1	/P	Pivot Bar
28	712-3004A	1	/P	Hex Flange L-Nut 5/16-18 Gr. 5
29	714-04039	1		Cotter Pin 5/32" Dia. x 1.25
29	714-0162	1	/P	Cotter Pin 5/32" Dia. x 1.25
30	726-0341	1	/P	Push Cap, .750
32	736-0316	1	S	Flat Washer .780 ID X 1.56 OD
32	736-04228A	1		Flat Washer .781 ID x 1.90 OD
34	738-1011A	1	/P	Shoulder Screw, .5 x 2.2, 3/8-16
35	741-0660A	1	/P	Flange Bearing .760 ID x .937 OD
36	634-04086	1		Wheel Assembly, 15 x 6 x 6 Plastic Bushing
36	734-1731	1		Tire Only Not shown
36	634-04081	1	S	Rim Only Plastic Bushing, Not shown
36	741-0516B	1	/P	Bearing, Flange Plastic Bushing, Not shown
36	741-0990B	1	/P	Bearing, Flange w/Fitting Plastic Bushing, Not shown
36	634-04199	1		Wheel Assembly, 15 x 6 x 6 Ball Bearing
36	734-1731	1		Tire Only Not shown
36	634-04091A	1		Rim Only Ball Bearing, Not shown
36	741-04137	1	S	Bearing, Flange Ball Bearing, Not shown
36	737-0224	1		Lube Fitting Not shown
37	731-2290A	1	/P	Hub Cap
38	783-0653G	1		Steering Support Bracket
39	738-0143	1	/P	Shld. Scr. .500 Dia. X .335" Lg.
40	712-04065	1	/P	Hex Flange L-Nut 3/8-16 Gr. F
41	731-05674	1		Cap
42	731-04040	1		Steering Wheel Cap - Small w/logo
43	631-04028	1		Steering Wheel - 3 Spokes Std. Grip
43	631-04008A	1	/P	Steering Wheel - 3 Spokes Soft Grip
44	731-0484A	1	S	Plastic Hub Cap
45	719-04177A	1		Cast Iron Pivot Bar (.750 dia.)



13AV606G597 (2008)  
Steering

Page 25 of 27

Ref #	Part Number	Qty	S/P/F	Description
45	737-3000	1	S	Fitting, Lube, 3/16 Drive Type Not shown
45	737-0475	1	/P	Fitting, Lube, M6 Threaded Type Not shown
47	710-0643	1	/P	Hex Screw 5/16-18 X 1.00 Special
48	731-1291A	1	S	Pivot Bar End Cap
50	710-0514	1	/P	Hex Screw 3/16 x 1.00
51	736-3004	1	S	Flat Washer .406 ID x .875 OD x .105
52	731-04066A	1	/P	Steering Wheel Cover - Troy Bilt
53	710-1260A	1	/P	Hex Wash HD AB Tap Scr 5/16-12 x .75
54	731-04065A	1		Steering Wheel Cover - MTD
56	731-2625	1		Steering Wheel Cap
57	731-2624	1		Steering Wheel - Soft Grip
61	731-04039	1		Steering Wheel Cap - Small w/o logo



13AV606G597 (2008)  
Transmission

Page 27 of 27

Ref #	Part Number	Qty	S/P/F	Description
1	611-0011	1	S	Detent Shaft Ass'y
2	611-04091	1	S	Drive Shaft
3	721-0338	1	S	Oil Seal .750 x 1.00 x .125
4	717-04479	1	S	Bevel Gear, 42 tooth spline
5	718-04381	1	S	Single Speed Clutch Collar
6	721-0213	1	/P	Seal .625 x .812 x .094
7	736-0336	1	S	Flat Washer 5/8 ID x 1.0 OD x .030
7	736-0337	1	S	Flat Washer 5/8 ID x 1.0 OD x 0.040
7	736-0349	1	S	Flat Washer 5/8 ID x 1.0 x .020
7	736-0494	1		Thrust Wash. 5/8" ID x 1.0" OD x .035
7	736-0495	1	S	Thrust Wash. 5/8" ID x 1.0" OD x .025
8	741-0336	1	S	Flange Bearing 5/8 x 3/4
9	741-0337	1	S	Flange Bearing 5/8 x 15/16
10	618-04567	1	S	Differential Assembly
11	619-04187	1	S	Upper Housing
12	661-0001	1	S	Brake Assembly
13	710-04731	1		Self-Tap Scr. 5/16-18 x .375 Vis
14	710-1206	1	/P	Self-Tap Scr. 1/4-20 x 2.375 Vis
15	710-1325	1	/P	Self-Tap Scr. 1/4-20 x 1.625 Vis
16	717-0678	1	S	Brake Puch
17	719-04329	1	S	Lower Housing
18	732-0863	1	S	Com pression Spring
19	741-0862	1	/P	Ball Detent .250 Dia.
20	761-0202	1		Brake Disc
21	741-0340	1	S	Sleeve Bearing 3/4 ID x 1.0
	737-0148	1	S	Grease (19 oz.) Not shown