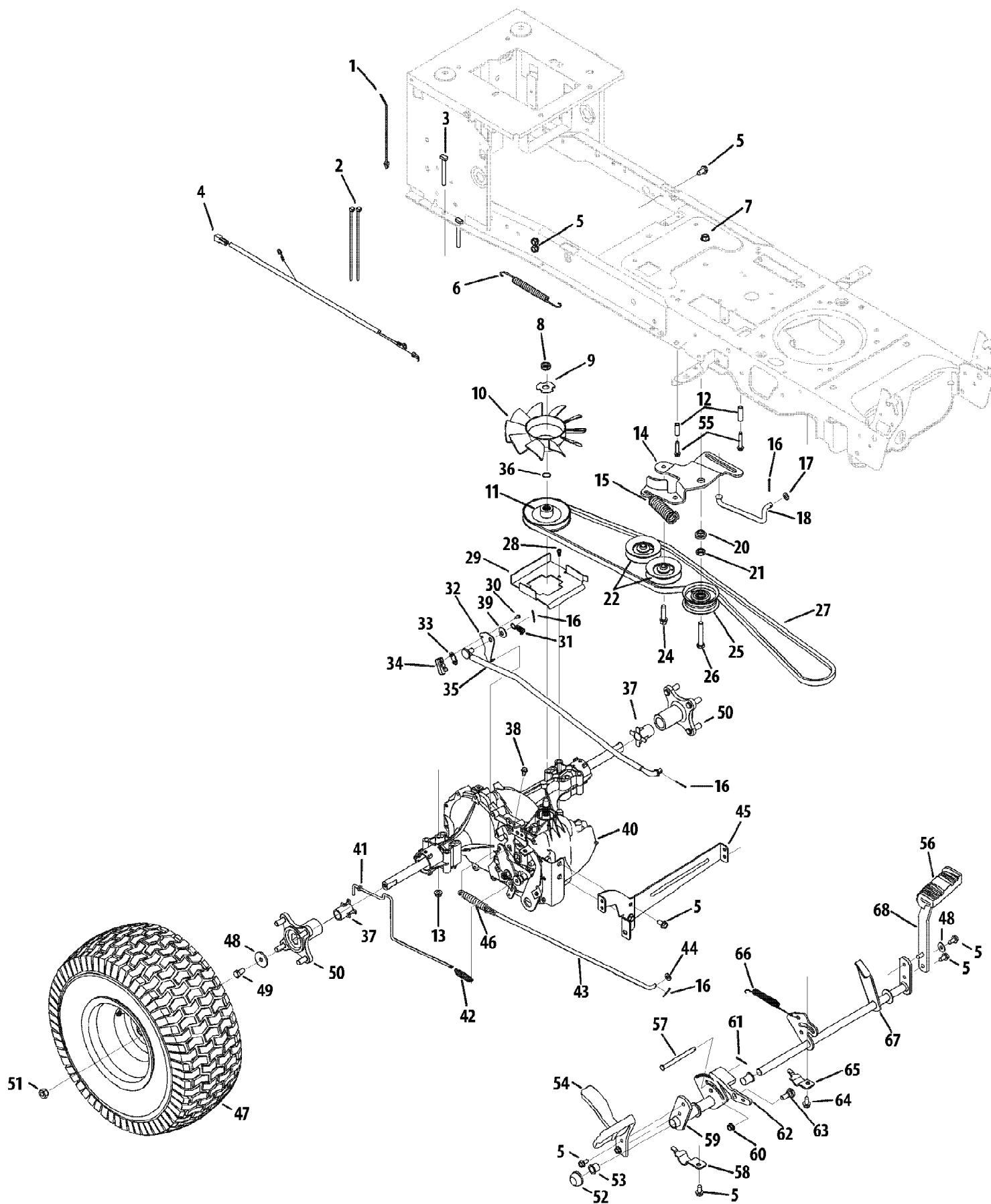


13AQ92GP897 (2010)
Drive Assembly



13AQ92GP897 (2010)
Drive Assembly

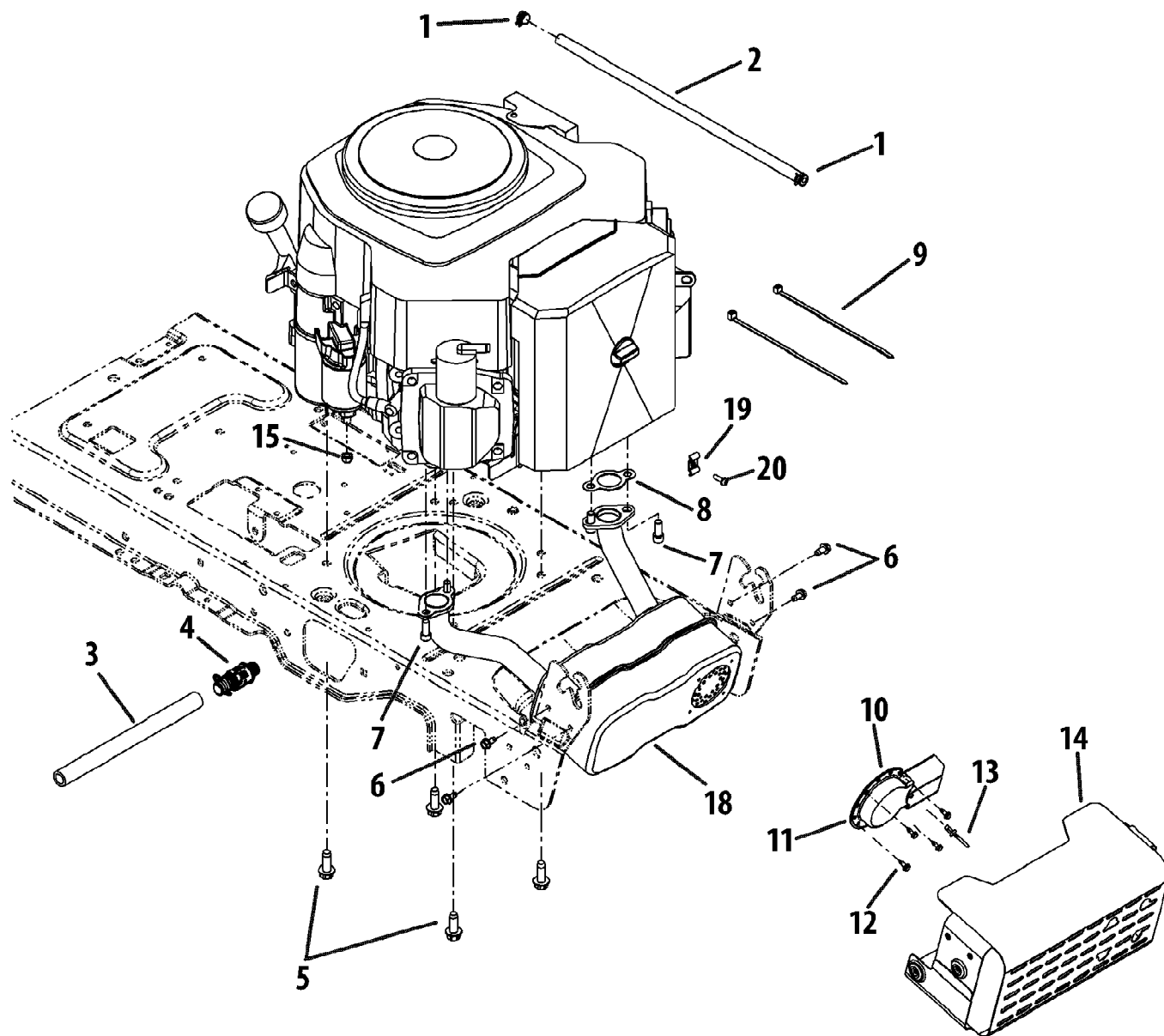
Page 2 of 20

Ref #	Part Number	Qty	S/P/F	Description
1	926-0154	1	/P	Cable Tie, 7.5
2	725-0157	1	/P	Cable Tie, 3/16 x .05 x 7.4
3	710-0176	1	/P	Hex Bolt 5/16-18 x 2.75
4	725-04791A	1		Jumper Harness
5	710-04484	1		S-Tapp Screw 5/16-18 x .75
6	732-04606	1		Extension Spring .50 dia. x 12.6
7	912-0431	1	/P	Flange Locknut 3/8-16 Gr. F
8	912-0346	1	/P	Jam Locknut 1/2-10
9	736-04263	1		Lockwasher
10	731-06098	1		Hydro Fan
11	756-04308	1		Input Pulley
12	750-04456	1		Spacer, .260 x .372 x 1.420
13	712-04063	1	/P	Flange Locknut 5/16-18 Gr. F, Nylon
14	783-06027A	1		Idler Bracket
15	732-04624	1		Extension Spring .59 x 4.0
16	914-0111	1	/P	Cotter Pin 3/32 dia x 1.00 Lg.
17	936-0264	1	/P	Flat Washer .330 x .630 x .0635
18	747-04957A	1		Pedal Transmission Bypass Rod
19	941-0490	1	/P	Axle Hub
20	738-04420	1		Shoulder Spacer 1.375 x .38 x .183
21	912-0240	1	/P	Hex Jam Nut 7/16-20
22	756-04325	1	/P	Idler Pulley
23	934-0255	1	/P	Air Valve
24	710-1007	1	/P	Hex L-Wash HD Screw 3/8-16 x 1.5
25	756-04224	1	/P	Idler Pulley, Flat 2.75 OD
26	710-3011	1	/P	Hex Bolt 3/8-16 x 2.25" Lg.
27	954-04207	1	/P	V-Belt
28	710-0351	1	/P	Truss Mach B-Tapp Screw #10 X .50
29	783-06260-0637	1		Belt Disengage Support Bracket
30	710-0227	1	/P	Hex Washer Screw #8-18 x .50
31	732-3118	1		Extension Spring 3/8 x 1.44
32	783-1019B	1	/P	Switch Actuator Bracket
33	926-0320	1	/P	Insulator Nut Plate
34	725-1644	1		Short Spring Switch
35	747-04979	1		Hydro Control Rod
36	732-0729	1	/P	Wire Ring
37	731-05300A	1		Sleeve 0.765 x 2.41
38	710-0653	1	/P	Hex Wash HD Tapp Screw 1/4-20 x .375
39	736-3010	1		Flat Washer .406 ID x .812 OD x .134
40	918-0319	1	/P	Hydro Transmission
41	747-04991	1		Hydro By pass Rod
42	932-0209	1	/P	Extension Spring .47 OD x 2.03 Lg.
43	747-04139	1		Brake Rod
44	936-3008	1	/P	Flat Washer .312 ID x .75 OD
45	783-06133-0637	1		Hydro Mount Bracket
46	732-0716D	1	/P	Extension Spring .59 x 4.0
47	634-04210-0911	1		Wheel Ass'y Comp. 22 x 9.5 x 12
47	634-04238-0662	1	/P	Rim Ass'y Not shown
47	734-04174	1		Tire Only Not shown
47	934-0255	1	/P	Air Valve Not shown
48	736-0242	1	/P	Cupped Washer .345 ID x .88 OD x .060
49	710-0627	1	/P	Hex L-Bolt 5/16-24 x .75 Gr. 5
50	918-04228	1	/P	Wheel Hub Ass'y

13AQ92GP897 (2010)
Drive Assembly

Page 3 of 20

Ref #	Part Number	Qty	S/P/F	Description
51	712-3050	1	/P	Lug Nut
52	726-0214	1	/P	Push Cap 5/8" Dia Rod
53	741-0495	1	/P	Nyliner Flanged Brg.
54	719-0584B-0637	1	/P	Control Pedal
55	710-1325	1	/P	Hex Washer Hd. TT Screw 1/4-20 x 1.625
56	735-04136	1		Brake Pedal Pad
57	711-05068	1		Clevis Pin 5/16 x 3.985
58	783-05914	1		Transmission Rod Support Strap
59	683-04537	1		Hydro Pedal Brkt. Assembly
60	712-04065	1	/P	Flange Lock-Nut 3/8-16 Gr. F Nylon
61	714-04040	1		Bow-Tie Cotter Pin
62	748-04203	1		Cruise Latch
63	938-0380	1	/P	Shoulder Screw .500 x .25
64	710-0604A	1	/P	Self-tapping Screw 5/16-18 x .625
65	783-05940	1		Brake Shaft Support Strap
66	732-04587	1		Extension Spring .63 x 4.95
67	647-04152B	1		Brake Control Assembly
68	783-06103A-0637	1		Brake Pedal Bracket

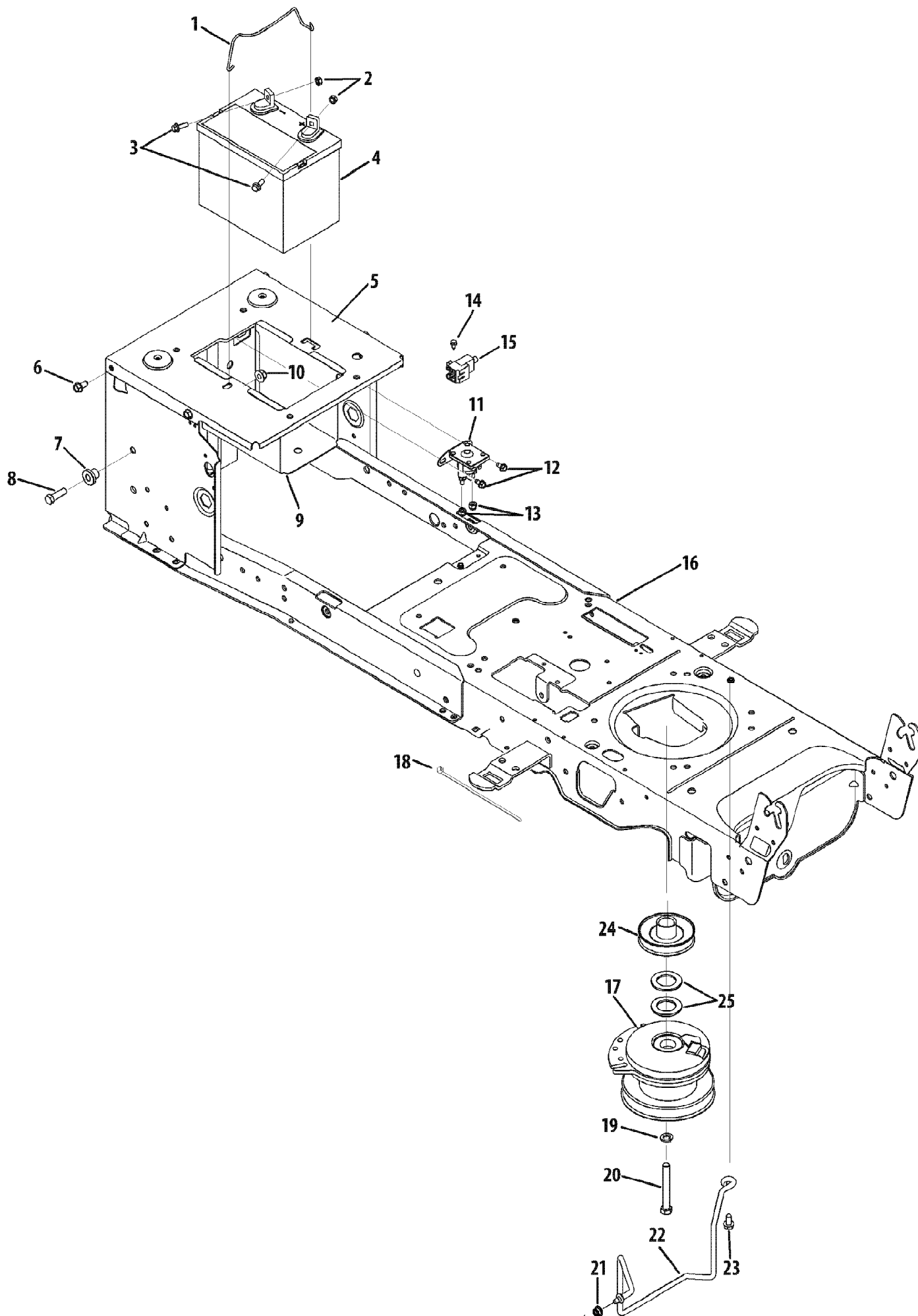


13AQ92GP897 (2010)
Engine Accessories

Page 5 of 20

Ref #	Part Number	Qty	S/P/F	Description
1	726-0205	1	/P	Hose Clamp
2	751-10349-28	1	/P	Fuel Line
3	751-3141-14	1	/P	Oil Drain Hose
4	951-10517A	1	/P	Oil Drain
5	710-04683	1		TT Screw 3/8-16 x 1.00
6	710-0599	1	/P	Hex Wash S-Tapp Screw 1/4-20 x .50
7	710-1314A	1	/P	Screw. 5/16-18 x .75
8	721-0377A	1	S	Exhaust Gasket
9	725-0157	1	/P	Cable Tie
10	751-0564B	1	/P	Muffler Deflector
11	751-10353	1		Long Muffler Deflector
12	710-0227	1	/P	Hex AB Screw #8-18 x .50
13	728-04000	1		Pop Rivet
14	683-04549-0637	1	/P	Muffler Shield Assembly
18	751-10528A	1	/P	Muffler
19	751K4723702	1	/P	Dual Conduit Clamp
20	KH-24-086-43-S	1		Tap Screw, M5 x .8

13AQ92GP897 (2010)
Frame & PTO

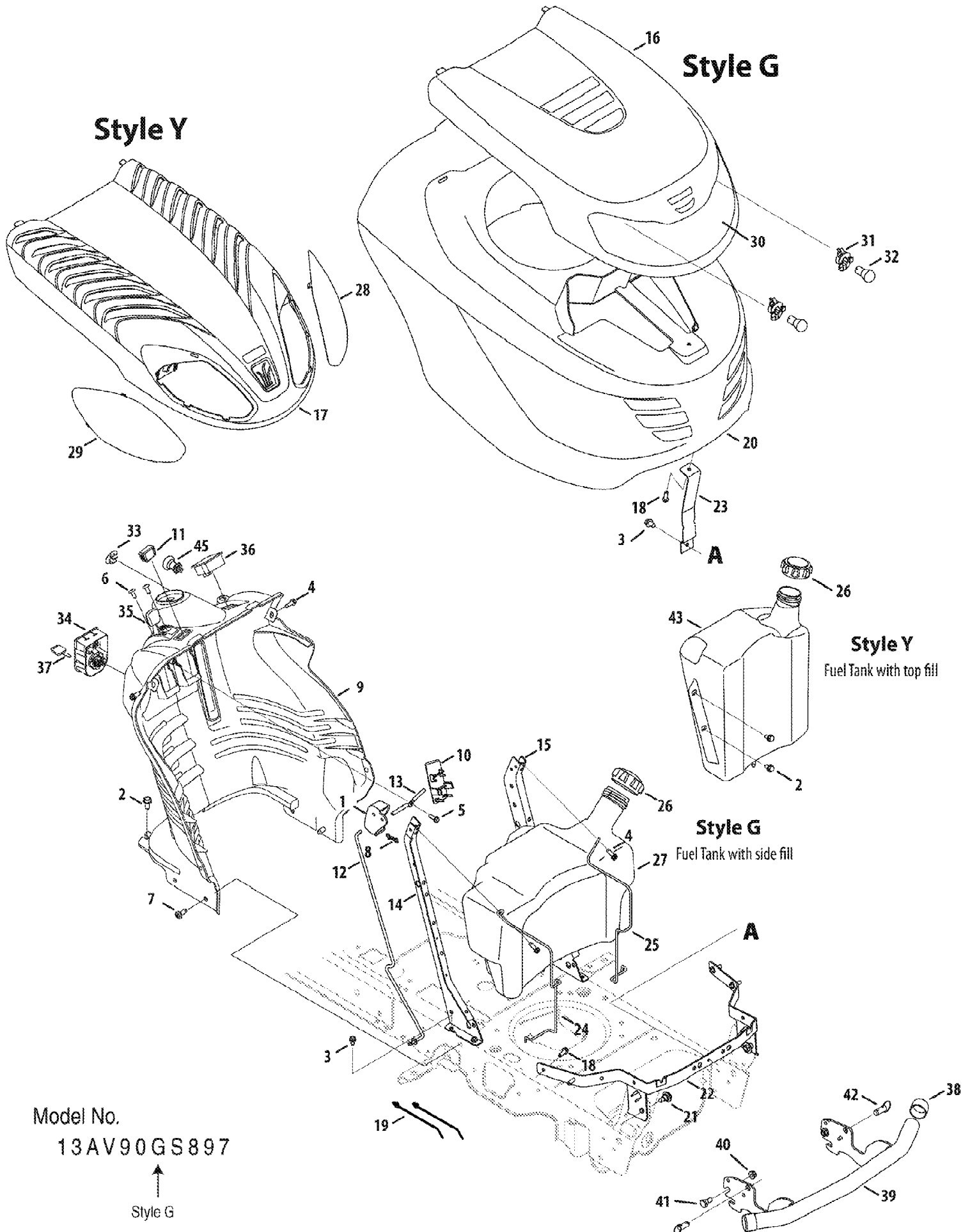


13AQ92GP897 (2010)
Frame & PTO

Page 7 of 20

Ref #	Part Number	Qty	S/P/F	Description
1	747-04121A	1		Battery Hold Down Rod
2	712-0271	1	/P	Sems Hex Nut 1/4-20
3	710-04666	1		Hex Hd. Flg. Screw. 1/4-20 x .75 Gr. 5
4	925-1707D	1	/P	Battery
5	783-06089-0637	1		Seat Frame Bracket
6	710-04484	1		Hex Wash Hd. Tapp Screw. 5/16-18 x .75
7	738-04058	1		Shoulder Spacer .38 x 1.0 x .70
8	710-3005	1	/P	Hex Bolt 3/8-16 x 1.25
9	783-0349-0637	1		Battery Tray
10	712-04065	1	/P	Flange Lock-Nut 3/8-16 Gr. F Nylon
11	725-04439	1		Solenoid
12	710-0653	1	/P	Hex Wash HD Tapp Screw 1/4-20 x .375
13	712-04064	1	/P	Hex L-Flanged Nut 1/4-20 Gr. F Nylon
14	738-04237A	1		Shoulder Screw #10-32 x .50
15	725-04363	1		Switch, Interlock
16	683-04469A-0606	1		Lower Frame Assembly
17	917-04174A	1	/P	Electric PTO Clutch (50)
18	725-0157	1	/P	Cable Tie
19	936-0171	1	/P	Lockwasher 7/16 ID
20	710-04379A	1		Hex Cap Lock Screw 7/16-20 x 3.5 Gr. 5
21	712-04063	1	/P	Flange Locknut 5/16-18 Gr. F, Nylon
22	747-05073	1		Keeper Rod (50")
23	710-04484	1		Hex Wash Hd. Tapp Screw. 5/16-18 x .75
24	756-0978B	1	/P	Engine Pulley
25	736-0277	1		Flat Washer 1.03 ID x 1.64 OD x .095

13AQ92GP897 (2010)
Hood & Grille



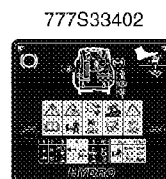
13AQ92GP897 (2010)
Hood & Grille

Page 9 of 20

Ref #	Part Number	Qty	S/P/F	Description
1	631-04353P	1	/P	Dash Lever
2	710-04484	1		S-Tapp Screw 5/16-18 x .75
3	710-0599	1	/P	Hex Wash S-Tapp Screw 1/4-20 x .50
4	710-0642	1	/P	Hex TT Screw 1/4-20 x .75
5	710-0895	1		Hex Tapp Screw 1/4 x .75" Lg.
6	710-1017	1	/P	Torx Mach. AB-Tapp Screw. 1/4-14 x .625 Lg
7	710-1611B	1	/P	Screw 5/16-18 x .75
8	714-04040	1		Bow-Tie Cotter Pin
9	931-06621	1	/P	Dash Panel (Elect. PTO w/ fuel level window)
10	731-06643	1		Cruise Cover Y/G Style
11	731-07042	1		Light Switch Cap
12	747-05008B	1		Latch Control Rod
13	747-1155	1		Pivot Rod
14	783-04285F-0637	1	/P	RH Dash Support Plate
15	783-04323F-0637	1	/P	LH Dash Support Plate (not shown)
16	931-04308	1	/P	Upper "G" Style Hood
17	N/A	1		Upper "Y" Style Hood Not Used in this application
18	710-05108	1		Screw, Bos, 1/4 Dia. x .75
19	926-0154	1	/P	Cable Tie
20	931-06538	1	/P	G Style Hood (w/side fill fuel tank)
21	738-04091A	1	/P	Shoulder Screw .43 x .29, 5/16-18
22	783-04606C-0637	1	/P	Hood Pivot Bracket
23	783-06117-0637	1	/P	Hood Support Bracket
24	747-05049	1		Tank Support Rod RH
25	747-05050	1		Tank Support Rod LH
26	751-0603A	1	/P	Cap-Fuel
27	951-10573	1	/P	Fuel Tank 2.75 Gal. (side fill)
28	N/A	1		Lens LH - Style "Y" Not Used in this application
29	N/A	1		Lens RH - Style "Y" Not Used in this application
30	931-06564	1	/P	Lens (Style G)
30	777X43285	1		Reflector Label
31	925-1649	1	/P	Socket
32	925-0963	1	/P	Miniature Lamp 12V Socket Type
33	731-1999	1		Choke Plug
34	925-04230B	1	/P	Key Switch Module
35	746-04364	1		Throttle/Choke Cont. Cable 25" Lg.
36	925-04036C	1	/P	Am Meter
37	925-1745A	1	/P	Ignition Key w/Plastic Cover
38	731-05674	1		Bumper Cap
39	683-04219B-0637	1	/P	Bumper Assembly
40	912-3000	1	/P	Hex Lock-Nut 3/8-16 Gr.B
41	738-0143	1	/P	Shoulder Screw. .498 x .340: 3/8-16
42	714-04061	1		Quick Pin 1/2" dia. x 0.50
43	N/A	1		Fuel Tank 2.0 Gal. (top fill) Not Used in this application
44	732-04580	1		Extension Spring (w/Electric PTO only)
45	925-04174	1	/P	Electric PTO Switch
	925-04105	1	/P	Electric PTO/RMC/Hr. Meter)

13AQ92GP897 (2010)
Hood & Grille

Ref #	Part Number	Qty	S/P/F	Description
	925-04104	1	/P	Harness (Elect. PTO/RMC/Hr. Meter)



777CD30086
Center On Rear Fender
COLUMBIA

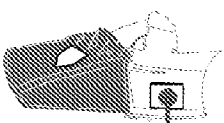
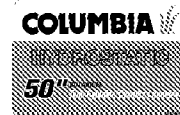
777D13468
On Left Side Panel
Centered Under Air Vent



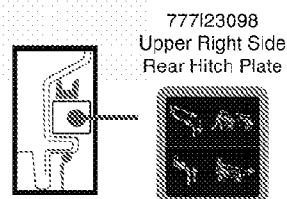
777D13467
On Right Side Panel
Centered Under Air Vent



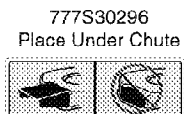
777D11930
Center On Operators Left
Side Of Fender Front



(QTY 2) 777D14592
On Each Side

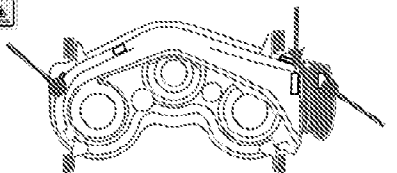
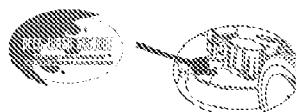


777I23098
Upper Right Side
Rear Hitch Plate

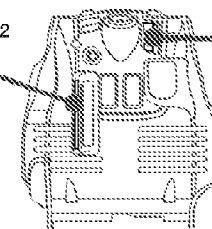


777S30296
Place Under Chute

(QTY 2) 777D13382
Next To Deck Nozzle



REF: Chute Label

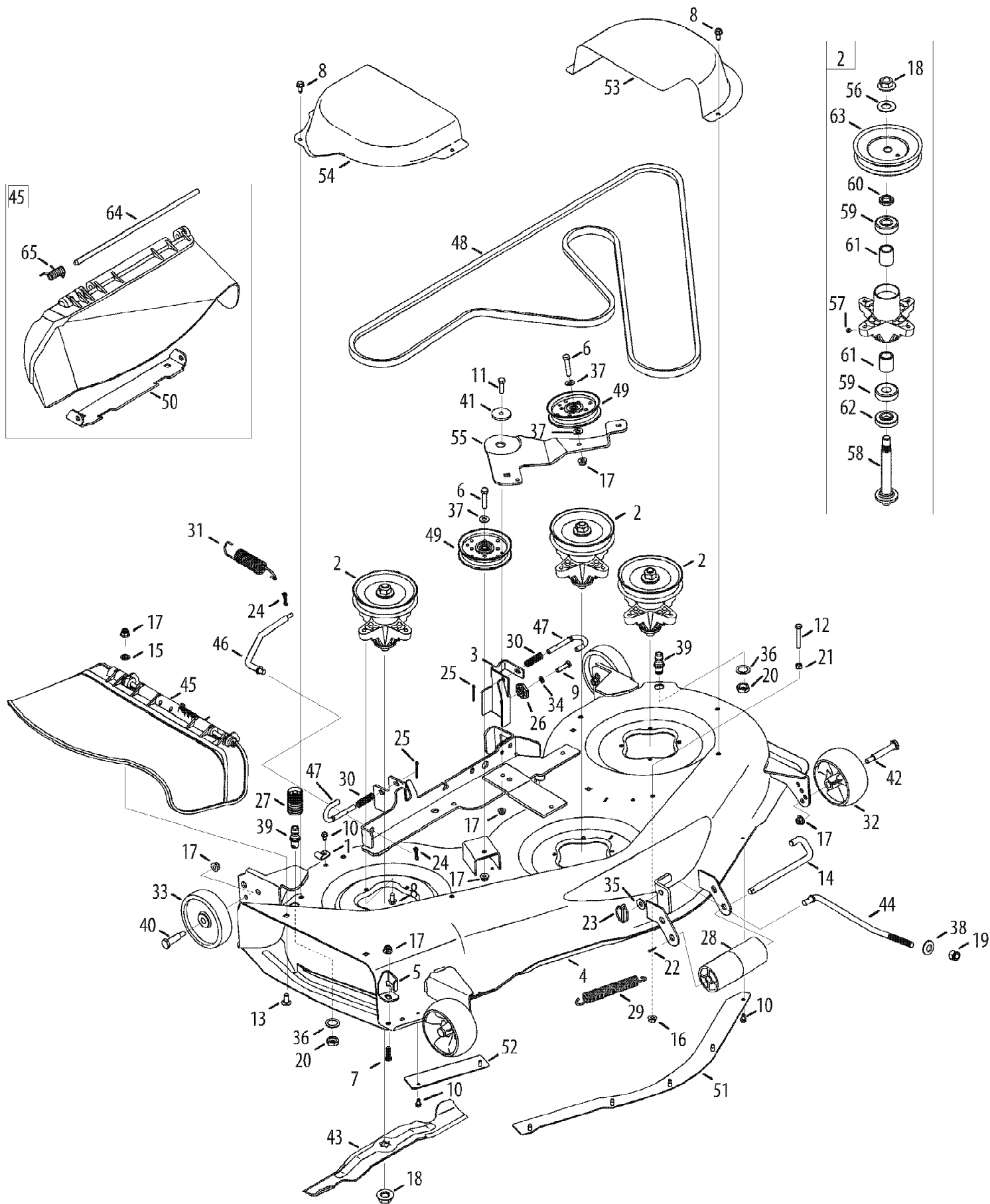


777I20882

13AQ92GP897 (2010)
Label Map

Page 12 of 20

Ref #	Part Number	Qty	S/P/F	Description
777CD30086	777CD30086	1		LABEL-REAR FENDER COLUMBIA
777D11930	777D11930	1		LABEL-HYD 50" FNDR COLUMBIA
777D13382	777D13382	1		LABEL-DECK WASH
777D13467	777D13467	1		LABEL-RIDER HOOD RH COLUMBIA
777D13468	777D13468	1		LABEL-RIDER HOOD LH COLUMBIA
777D14592	777D14592	1		LABEL-RDR:COLUMBIA Q92GP
777D14595	777D14595	1		LABEL-RDR/DK:YMACH/CAN:50/METRIC
777I20882	777I20882	1		LABEL-DASH THROTTLE
777I22679	777I22679	1		LABEL-CHECK ENG OIL
777I23082	777I23082	1		LABEL-RIDER NX-9 GAS GUAGE
777I23098	777I23098	1		LABEL-HYDRO RELEASE
777I23165	777I23165	1		LABEL-RIDER RT99 DECK HT POD
777S33402	777S33402	1		LABEL-RIDER NX9 HYDRO



13AQ92GP897 (2010)
Mower Deck

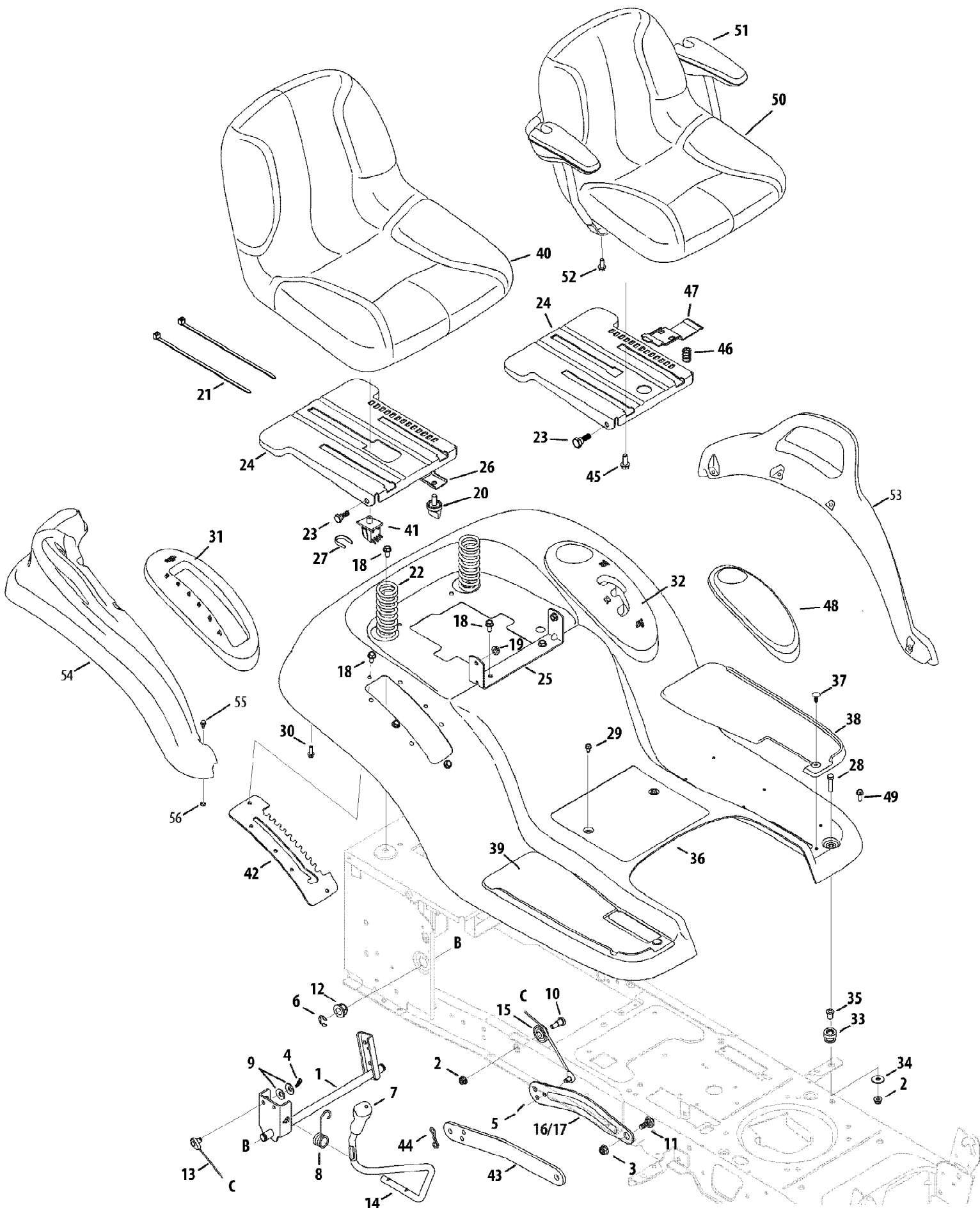
Page 14 of 20

Ref #	Part Number	Qty	S/P/F	Description
1	96606	1	/P	Retainer Hook Brkt.
2	918-04126B	1	/P	Spindle Assembly
3	683-0254B-0606	1		Deck Hanger Bracket Ass'y
4	983-04493-0606	1	/P	Deck Assembly
5	703-3279-0606	1		Chute Deflector Stop
6	710-0347	1	/P	Hex Screw 3/8-16 x 1.75
7	710-04095	1		Screw, 3/8-16 x 1.0
8	710-04484	1		Hex Wash Hd. Tapp Screw. 5/16-18 x .75
9	710-0528	1	/P	Hex Bolt 5/16-18 x 1.25
10	710-0599	1	/P	Hex Wash S-Tapp Screw 1/4-20 x .50
11	710-3005	1	/P	Hex Bolt 3/8-16 x 1.25
12	710-3103	1	/P	Hex Hd Cap Screw. 5/16-18 x 2.0 Gr. 5
13	710-3178	1	/P	Short Neck Carriage Bolt 3/8-16 x .75
14	911-3314	1	/P	Roller Pin
15	712-0229	1		Push Nut 3/8
16	712-04063	1	/P	Flange Locknut 5/16-18 Gr. F, Nylon
17	712-04065	1	/P	Flange Lock-Nut 3/8-16 Gr. F Nylon
18	712-0417A	1	/P	Flange Nut 5/8-18
19	712-04243	1		Flexlock Nut 1/2-13
20	912-0641	1	/P	Hex Nut M16-1.5 DIN 936
21	912-3010	1	/P	Hex Nut 5/16-18 hd. (Gr. 5)
22	914-0111	1	/P	Cotter Pin 3/32 x 1.0
23	753-04070	1	/P	Lynch Pin, .1875
24	714-04040	1		Bow Tie Cotter Pin
25	914-0470	1	/P	Cotter Pin 1/8" Dia x 1.25
26	917-04074	1	/P	Deck adjustment Gear
27	921-04041	1	/P	Water Nozzle Adap tor
28	731-05679	1		Front Roller
29	732-0459C	1	/P	Extension Spring .94 x 6.74
30	732-04652	1		Compression Spring .535 OD x 1.751 Lg.
31	732-0934	1		Extension Spring 1.15 x 5.99
32	734-04155	1		Deck Wheel 5.0
33	734-0973	1	/P	Wheel Ass'y - Deck 5" x 1.38"
34	936-0119	1	/P	L-Wash 5/16 ID
35	936-0179	1	/P	Flat Washer .531 ID x 1.25 OD x .100
36	736-0225	1	/P	L-Washer Internal
37	936-0300	1	/P	Flat Washer .406 ID x .875 OD x .059
38	736-0317	1	/P	Cupped Washer .63 x 1.25 x .18
39	737-04003D	1	/P	Port, Water
40	938-0373	1	/P	Shoulder Bolt .498 Dia x 1.53 x 3/8-16
41	738-04162A	1	/P	Spacer, Shoulder .884 x .190
42	938-3056	1	/P	Shoulder Screw
43	942-04053C	1	/P	Blade 17.90
44	747-05067A	1	/P	Front Deck Lift Rod
45	631-04092B	1	/P	Chute Ass'y
46	747-05279	1		Deck Sway Rod
47	747-1116	1	/P	Deck Release Pin
48	954-04077	1	/P	V-Belt
49	756-04129B	1	/P	Idler Pulley
50	783-05030	1		Chute Bracket
51	783-04414A-0637	1	/P	Deck Skirt Center
52	783-04415-0637	1	/P	Deck Shirt RH
53	783-05280-0606	1		Deck Shirt LH

13AQ92GP897 (2010)
Mower Deck

Page 15 of 20

Ref #	Part Number	Qty	S/P/F	Description
54	783-05281-0606	1		RH Belt Cover
55	783-05030	1		Chute Bracket
56	736-0315	1	/P	Flat Washer .760 ID x 1.50 OD x .120
57	937-3000	1	/P	Grease Fitting
58	738-1010A	1	/P	Spindle Shaft
59	941-0919	1	/P	Ball Bearing 20 x 47 x 14:6204:DS
60	750-0160	1		Spacer .790 x 1.25 x 1.75
61	750-1000	1		Spacer .800 x 1.10 x 1.322
62	750-1349A	1	/P	Spacer .79 x 1.82 x .55
63	756-04216	1		Deck Pulley
64	711-04565	1		Hinge Pin .3125 x 7.96
65	N/A	1		Torsion Spring .40 x 1.0 Order Ref #45



13AQ92GP897 (2010)
Seat & Fender

Page 17 of 20

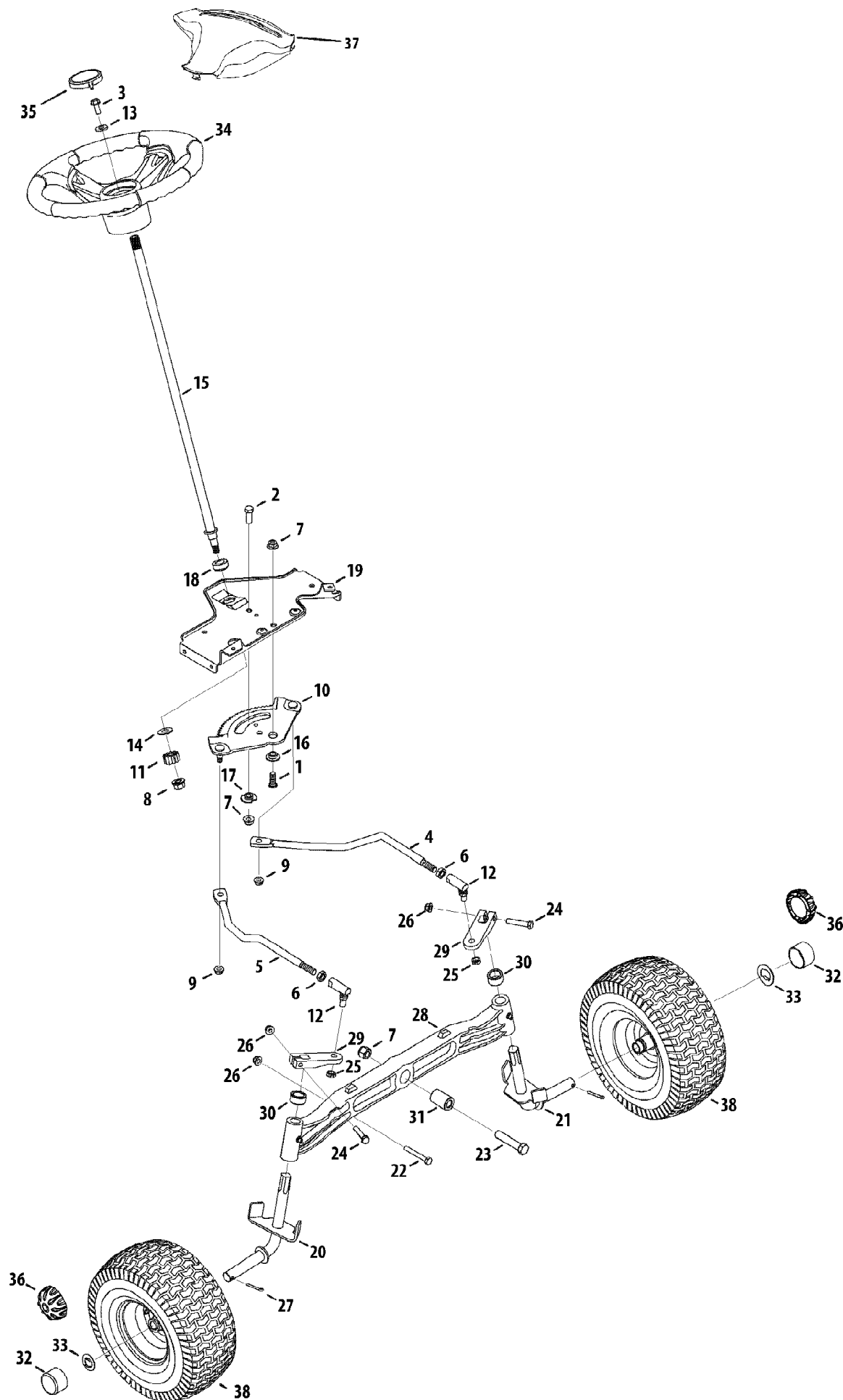
Ref #	Part Number	Qty	S/P/F	Description
1	683-04223-0637	1	/P	Lift Shaft Ass'y
2	712-04063	1	/P	Flange Locknut 5/16-18 Gr. F, Nylon
3	712-04065	1	/P	Flange Lock-Nut 3/8-16 Gr. F Nylon
4	914-0104	1	/P	Int. Cotter Pin .072 x 1.13" Lg.
5	714-04040	1		Bow-Tie Cotter Pin
6	716-0106A	1		E-ring .625 Shaft
7	720-0311	1		Handle Grip
8	732-0874	1	/P	Torsion Spring
9	736-0105	1	/P	Cupped Washer .375 ID x .870 OD x .063
10	738-0138A	1	/P	Shoulder Screw. .437 Dia x .47
11	938-0380	1	/P	Shoulder Screw .500 x .25 (42")
11	738-04130	1		Shoulder Bolt 3/8-16 x .625 (46")
12	941-0225	1	/P	Hex Flange Bearing .630 ID
13	746-0968	1		Lift Cable, 16.16
14	747-04962A	1	/P	Lift Handle
15	756-04331	1		Roller Pulley
16	783-04494C-0637	1	/P	Lift Arm RH
17	783-04711C-0637	1	/P	Lift Arm LH
18	710-04484	1		Hex Wash Hd. Tapp Screw. 5/16-18 x .75
19	712-3004A	1	/P	Hex Flange L-Nut 5/16-18
20	720-04061	1		Knob
21	725-0157	1	/P	Cable Tie
22	732-04561	1		Compression Spring 1.71 x 3.735 x .238
23	938-0296	1	/P	Shoulder Screw
24	783-06049-0606	1		Seat Mounting Bracket
25	783-06088-0606	1		Seat Pivot Bracket
26	783-06266-0637	1	/P	Seat Bracket, Knob adjustment
27	783-06448	1		Switch Retaining Clip
28	710-0528	1	/P	Hex Bolt 5/16-18 x 1.25
29	710-0599	1	/P	Hex Wash S-Tapp Screw 1/4-20 x .50
30	710-0895	1		Hex Tapp Screw 1/4 x .75" Lg.
31	731-06795	1		Lift Lever Cover
32	931-2104C	1	/P	Shift Lever Cover
33	735-0690	1		Grommet .4375 ID x .75
34	736-3078	1	/P	Flat Washer .344 ID x 1.0
35	750-3310	1		Flange Spacer .3125 x .4375 x .625
36	783-06556-0606	1		Fender (used with fender covers)
37	726-3046	1	/P	Foot Pad Clips
38	735-04138	1		Foot Pad LH
39	735-04158	1		Foot Pad RH
40	757-04086	1		Seat, High Back, Black
41	925-05013	1	/P	Seat Switch
42	783-06548-0637	1	/P	Lift Bracket 6 positions (w/Electric pto)
43	783-05546A-0637	1	/P	Lift Link (46"/50")
44	714-04040	1		Bow-Tie Cotter Pin (46")
45	710-04482	1		Hex. Hd. Flg. Screw. 3/8-16 x .875
46	732-04563	1		Compression Spring .68 x 1.065 x .055
47	783-06050	1		Seat adjustment Lever
48	731-1993A	1		Cover (Hydrostatic Models only)
49	710-1260A	1	/P	Hex Wash. Hd. Screw. 5/16-18 x .75 Gr. F Nyl.
50	757-04090	1		Seat, High Back, Black (w/arm rest option)

13AQ92GP897 (2010)
Seat & Fender

Page 18 of 20

Ref #	Part Number	Qty	S/P/F	Description
51	757-04073	1		Arm Rest (incl. R&L)
52	710-1611B	1	/P	Pan TT Screw 5/16-18 x .75
53	731-2619	1		Fender Cover LH
54	731-2618	1		Fender Cover RH
55	710-0932	1	/P	Carriage Bolt 14-20 x 1.0
56	712-0271	1	/P	Sems Hex Nut 1/4-20

13AQ92GP897 (2010)
Steering Assembly



13AQ92GP897 (2010)
Steering Assembly

Page 20 of 20

Ref #	Part Number	Qty	S/P/F	Description
1	710-04095	1		Screw, 3/8-16 x 1.0
2	710-0514	1	/P	Hex Screw 3/16 x 1.00
3	710-0643	1	/P	Hex Screw 5/16-18 x 1.00 Special
4	711-04998	1		Link, Drag LH
5	711-04999	1		Link, Drag RH
6	912-0240	1	/P	Hex Jam Nut 7/16-20
7	712-04065	1	/P	Flange Lock-Nut 3/8-16 Gr. F Nylon
8	712-0459	1	/P	Flange Lock Nut, 7/16-20
9	712-3004A	1	/P	Hex Flange L-Nut 5/16-18
10	717-1550F	1	/P	Steering Gear, 11/90 Ratio
11	717-1554	1		Steering Pinion Gear
12	923-0448A	1	/P	Ball Joint, 7/16 - 20
13	936-3004	1	/P	Flat Washer .406 ID x .875 DE x .105
14	736-3084	1	/P	Fl. Washer .510 x 1.120 x .060
15	738-04263	1		Steering Shaft .625 OD x 24.25
16	738-04363	1		Shoulder Spacer .385 x 1.25 x .3025
17	738-04364B	1		Spacer .38x 1.375 Special
18	741-04237B	1	/P	Hex Flange Bearing 5/8
19	783-06043-0637	1		Steering Support Bracket
20	638-04036P	1	/P	Axle Ass'y RH .750 Dia. (50" Deck)
21	938-04037	1		Axle Ass'y LH .750 Dia. (50" Deck)
22	710-0395	1	/P	Hex Bolt 5/16-18 x 2.25
23	710-0859	1	/P	Hex Cap Screw, 3/8-16 x 2.5
24	710-3180	1	/P	Hex Screw 5/16-18 x 1.75" Lg.
25	912-0214	1	/P	Hex Cent L-Nut 3/8-24
26	712-04063	1	/P	Flange Locknut 5/16-18 Gr. F, Nylon
27	714-0162	1	/P	Cotter Pin 5/32" Dia.
28	719-04413A	1		Pivot Bar (cast)
29	748-04065-0637	1	/P	Steering Block
30	748-04068	1		Spacer .710 ID x .125 OD x .56
31	750-05280	1		Spacer .385 x 1.0 x 1.5075
32	731-05674	1		Hub Cap
33	736-04228A	1		Flat Washer .350 x 1.559 x .062
34	631-04008A	1	/P	Steering Wheel, Softgrip
35	731-04040	1		Steering Wheel Cap (sprig) logo
36	731-2290A	1	/P	Hub Cap
37	731-04065A	1		Steering Wheel Cover (w/sprigs)
38	N/A	1		Wheel Ass'y Complete
38	734-1727	1	/P	Tire Only Not shown
38	934-04090A-0662	1	/P	Rim Only Not shown
38	934-0255	1	/P	Valve Not shown
38	941-04137	1	/P	Ball Bearing Not shown
38	750-04219B	1		Spacer Not shown