

13AQ626P597 (2008)
Deck Assembly

Page 2 of 23

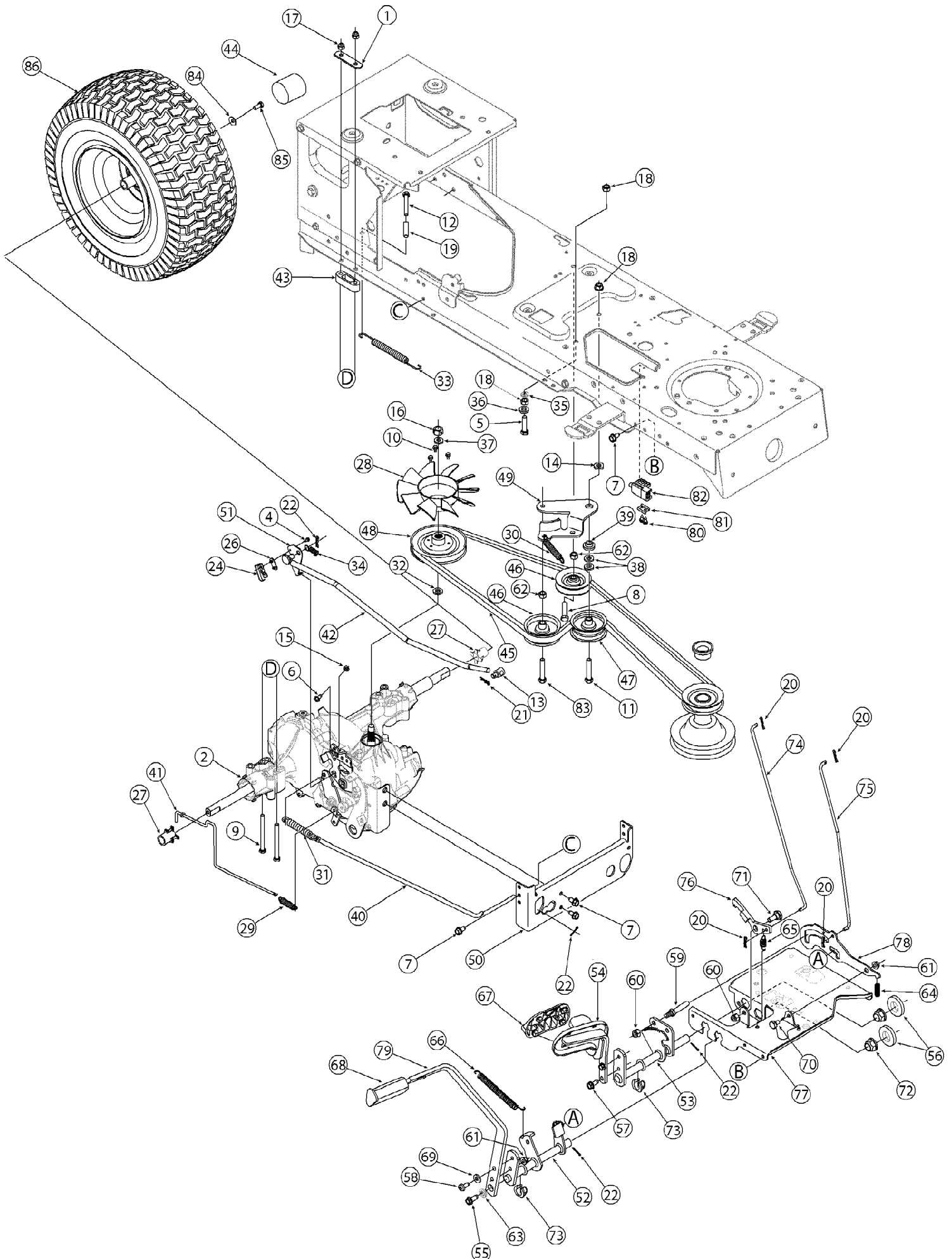
Ref #	Part Number	Qty	S/P/F	Description
1	16606	1	S	Retainer Hook Brkt.
2	918-04126A	1	S	Spindle Assembly
2	712-0417A	1	/P	Flange Nut:5/8-18 Not shown
2	736-0315	1	/P	Flat Washer:.760 x 1.50 X .120 Not shown
2	937-3000	1	/P	Grease Fitting:3/16:LNC #70:DRI Not shown
2	738-1010A	1	/P	Spindle Shaft:5.75 LG. Not shown
2	941-0919	1	/P	Ball Bearing:20x47x14:62 Not shown
2	748-0160A	1		Spacer:.790 ID x 1.25 OD X .175 Not shown
2	750-1000	1		Spacer:.80 x 1.10 x 1.322 Not shown
2	750-1349A	1	/P	Spacer:.79 x 1.82 x .55 Not shown
2	756-04216	1		Deck Pulley:V TYP:5.39 Not shown
3	683-0254B	1	/P	Deck Adjustment Bracket w/Weld Nut
4	783-04075	1		50" Deck (weldment)
5	703-3279	1		Chute Stop Deflector
6	710-0347	1	/P	Hex Screw 3/8-16 x 1.75
7	710-04095	1		Screw, 3/8-16 x 1.0
8	710-0528	1	/P	Hex Bolt 5/16-18 x 1.25
9	710-0599	1	/P	Hex Wash S-Tapp Scr 1/4-20 x .50
10	710-0607	1	/P	Hex Wash HD AB Tap Scr 5/16-18 x .75
11	710-0726	1	/P	Hex Wash HD AB Tap Scr 5/16-12 x .75
12	710-04484	1		S-Tapp Scr 5/16-18 x .75
13	710-3005	1	/P	Screw, 3/8-16 x 1.25
14	710-3103	1	/P	Hex Hd Cap Scr. 5/16-18 x 2.0 Gr. 5
15	710-3178	1	/P	Short Neck Carriage Bolt 3/8-16 x .75
16	711-1737	1		Pin, Roller, .50" Dia. x 10.06
17	712-0206	1	S	Hex Nut 1/2-13
18	712-0229	1		Push Nut 3/8
19	712-04063	1	/P	Flange Locknut 5/16-18 Gr. F, Nylon
20	712-04065	1	/P	Flange Lock-Nut 3/8-16 Gr. F Nylon
21	712-0417A	1	/P	Hex Flange Nut 5/8-18
22	712-0641	1	S	Hex Nut, M16-1.5
23	712-3010	1	S	Hex Nut 5/16-18 hd. Gr. 5
24	712-3083	1	/P	Hex L-Nut 1/2-13
25	714-0111	1	S	Cotter Pin 3/32 x 1.0
26	714-0470	1	S	Cotter Pin 1/8" Dia x 1.25
27	717-04074	1	S	Deck Adjustment Gear
28	721-04041	1	S	Water Nozzle Adaptor
29	731-3005	1	/P	Front Roller
30	732-0306A	1	S	Compression Spring .531 OD x 1.75 Lg.
31	732-0459B	1	S	Extension Spring .94 x 6.74
32	732-0934	1		Extension Spring 1.5 x 5.99
33	734-04155	1		Deck Wheel 5.0
34	734-0973	1	/P	Wheel Ass'y - Deck 5" x 1.38"
35	736-0119	1	S	L-Wash 5/16 ID
36	736-0225	1	/P	Lockwasher 5/8
37	736-0300	1	S	Flat Washer .406 x .875 x .059
38	737-04003D	1	/P	Port, Water
39	738-0373	1	S	Shoulder Bolt .498 Dia x 1.53 x 3/8-16
40	738-04162A	1	/P	Spacer, Shoulder .884 x .190
41	738-3056	1	S	Shoulder Screw
42	742-04053C	1	S	Blade 17.90
43	747-1116	1	/P	Deck Release Pin
44	747-1324	1		Deck Adjustment Rod

13AQ626P597 (2008)
Deck Assembly

Page 3 of 23

Ref #	Part Number	Qty	S/P/F	Description
45	750-0151	1	S	Spacer .55 ID x .75
46	754-04164	1	S	V-Belt
47	756-04129	1	S	Idler Pulley w/Flange 4.25 Dia
48	783-04399	1		LH Belt Cover
49	783-04400	1		RH Belt Cover
50	783-04414A	1	/P	Deck Skirt Center
51	783-04415	1		Deck Shirt RH
52	783-04462	1		Lift Bracket
53	783-05303	1	S	Idler Bracket
54	631-04070A	1	/P	Side Chute Assembly
55	731-04651	1		Mulching Plug
56	756-04216	1		Deck Pulley 5.39 Dia.
57	736-0315	1	/P	Flat Washer .76 ID x 1.5 OD x .12

13AQ626P597 (2008)
Drive & Rear Wheels



13AQ626P597 (2008)
Drive & Rear Wheels

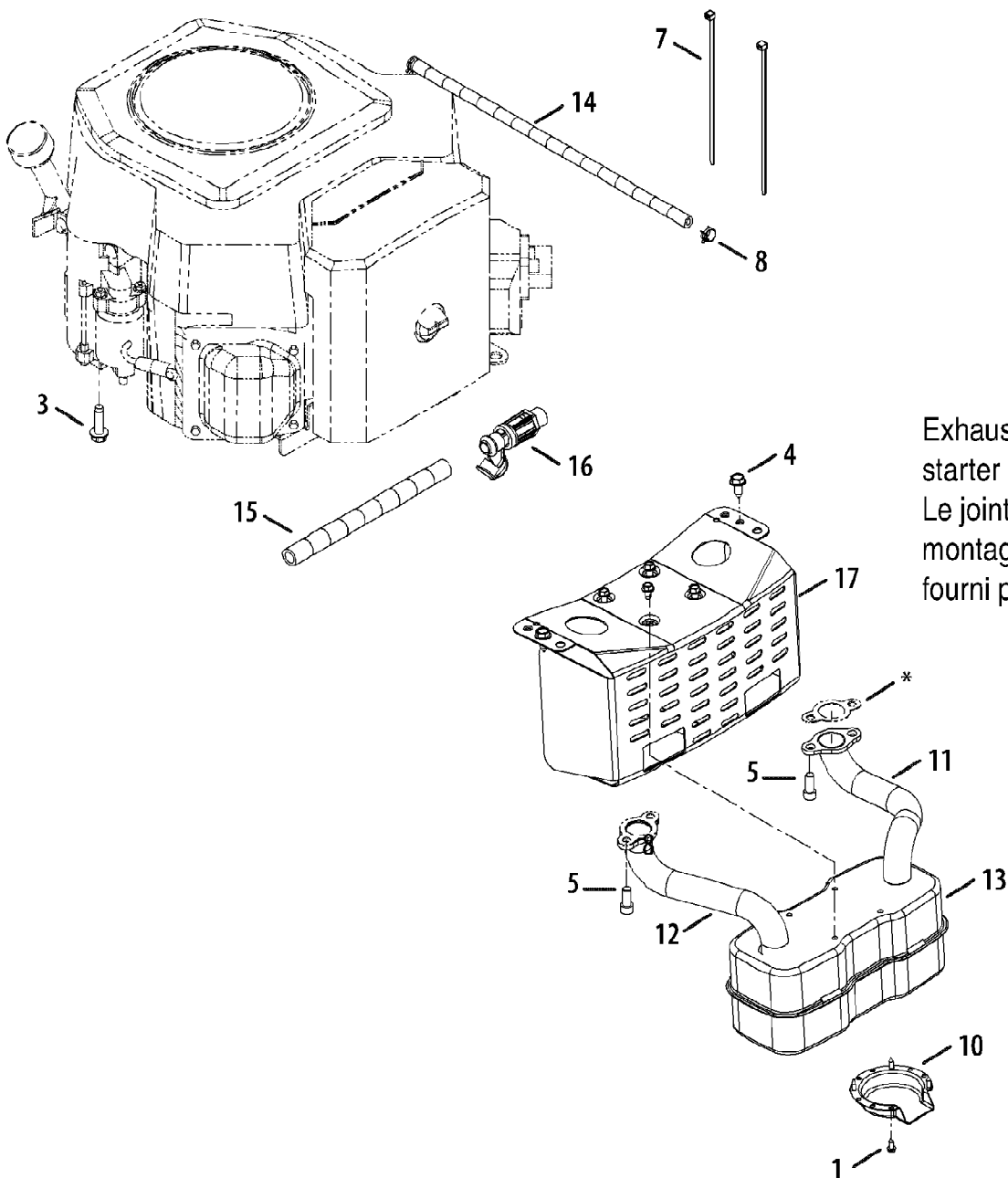
Page 5 of 23

Ref #	Part Number	Qty	S/P/F	Description
1	17840	1	S	Transaxle Mtg. Brkt.
2	618-0319	1	S	Hydrostatic Transmission
4	710-0227	1	/P	Hex Wash HD AB S-Tapp Scr #8-.50
5	710-0520	1	/P	Hex Screw 3/8-16 x 1.50
6	710-0653	1	/P	Hex Wash HD Tapp Scr 1/4-20 x .375
7	710-04484	1		S-Tapp Scr 5/16-18 x .75
8	710-0502A	1	/P	Hex Washer Scr 3/8-16 x 1.25
9	710-1266	1	/P	Hex Bolt 5/16-18 x 3.5" Lg.
10	710-3007	1	/P	Hex Tap Scr #12 x .375
11	710-3011	1	/P	Hex Bolt 3/8-16 x 2.25" Lg.
12	710-0778	1	/P	Hex Wash HD Bolt 1/4-20 x 1.50" Lg.
13	711-0832	1	S	Adjustment Ferrule 3/8-24
14	736-0258	1	/P	Flat Washer .385 ID X 1.0 OD X .130
15	712-0291	1	S	Hex Cent-L Nut 1/4-20
16	712-3066	1	S	Hex Nut 1/2-20 Grade 5
17	712-04063	1	/P	Flange Locknut 5/16-18 Gr. F, Nylon
18	712-0431	1	S	Hex. Flanged L-Nut 3/8-16 Gr. F
19	750-0566A	1	/P	Spacer .260 x .375 x 1.030 Lg.
20	712-3017	1	S	Hex Nut 3/8-16
21	714-0507	1	S	Cotter Pin 3/32 x .75
22	714-0111	1	S	Cotter Pin 3/32 dia x 1.00 Lg.
24	725-1644	1		Short Spring Switch
26	726-0320	1	S	Insulator Nut Plate
27	731-05299	1		Sleeve 0.765 x 1.5
28	731-1449A	1	S	Fan
29	732-0209	1	S	Extension Spring .47 OD x 2.03 Lg.
30	732-04323B	1	/P	Extension Spring
31	732-0716D	1	/P	Ext. Spring .59 OD x 4.00 Lg.
32	732-0729	1	/P	Wire Ring
33	732-0994	1		Extension Spring .75 x 5.39
34	732-3118	1		Extension Spring 3/8 x 1.44
35	736-0169	1	S	L-Wash 3/8 ID
36	736-0300	1	S	Flat Washer .385 ID x .87 OD x .06
37	736-0921	1	S	L-Washer 1/2" ID
38	736-3010	1		Flat Washer .406 ID x .812 OD x .134
39	738-0372B	1	/P	Shoulder Spacer
40	747-04139	1		Brake Rod
41	747-1149	1		Hydrostatic Bypass Rod
42	747-1151	1		Hydrostatic Control Rod
43	748-0334	1	S	Transaxle Spacer
44	731-05674	1		Hub Cap
45	754-04165	1	S	"V" Belt
46	756-04209	1	/P	Pulley, V-Type Drive 3.06
47	756-04224	1	/P	Idler Pulley, Flat 2.75 OD
48	756-04111	1		Input Pulley
49	783-04442	1		Idler Bracket
50	783-0810B	1	S	Transmission Torque Bracket
51	783-1019B	1	/P	Switch Actuator Bracket
52	647-04100	1	S	Brake Control Assembly
53	647-0049A	1	S	Drive Control Assembly
54	683-0267C	1	/P	Hydro Pedal Assembly
55	710-0650	1	/P	Hex Wash Taptite 5/16-18 x .875
56	736-0187	1	/P	Flat Washer .40 ID x 1.24 OD x .06

13AQ626P597 (2008)
Drive & Rear Wheels

Page 6 of 23

Ref #	Part Number	Qty	S/P/F	Description
57	710-1260A	1	/P	Hex Wash. Hd. Scr. 5/16-18 x .75 Lg.
58	710-1611B	1	/P	Screw 5/16-18 x .75
59	711-04159B	1		Pin 3/8-16 x 2.68 Lg.
60	712-04065	1	/P	Flange Lock-Nut 3/8-16 Gr. F Nylon
61	712-3004A	1	/P	Hex Flange L-Nut 5/16-18
62	712-0240	1	S	Hex Jam Nut 7/16-20
63	736-0119	1	S	L-Wash 5/16 ID
64	732-0335	1		Com pression Spring
65	732-0955	1		Extension Spring, .50 OD x 1.41
66	732-0963	1		Extension Spring, .50 Dia. x 6.37
67	735-0662	1		AutoDrive Pedal Pad
68	735-3049A	1	/P	Brake Pad
69	736-3008	1	S	Flat Washer .312 ID x .75 OD
70	738-0155	1	S	Shld. Scr .437 Dia x .162 Lg.
71	738-0380	1	S	Shoulder Screw .500 x .25
72	741-0225	1	S	Hex Flange Bearing .630 ID
73	741-3065B	1	/P	Hex Flanged Bearing .628 ID
74	747-04093A	1		Brake Lock Rod
75	747-04096	1		Cruise Control Rod
76	748-04039C	1		Cruise Control Latch
77	783-04612	1	S	Steering Support Bracket
78	783-0663E	1	/P	Drive Lockout Bracket
79	747-04521	1		Brake Pedal
80	710-0224	1	S	Hex AB-Tap Scr #10 x .50" Lg.
81	17962	1		Switch Plate
82	725-04039	1	S	Interlock Switch
83	710-1007	1	/P	Hex L-Wash HD Scr 3/8-16 x 1.5
84	736-0242	1	/P	Cupped Washer .345 ID x .88 OD x .060
85	710-0627	1	/P	Hex L-Bolt 5/16-24 x .75 Gr. 5
86	634-0104	1		Wheel Assembly Complete, 20 x 8 x 8
86	734-1730	1		Tire Only, 20 x 8 x 8, Square Shoulder Not shown
86	634-0177	1	/P	Wheel Assembly Complete, 20 x 10 x 8
86	734-1873	1		Tire Only, 20 x 10 x 8, Square Shoulder Not shown
86	634-0070	1	/P	Rim Only Not shown
86	734-0255	1	S	Air Valve (Not Shown)
	725-0157	1	/P	Cable Tie (Not Shown)
	726-0154	1	S	Push Mount Tie (Not Shown)

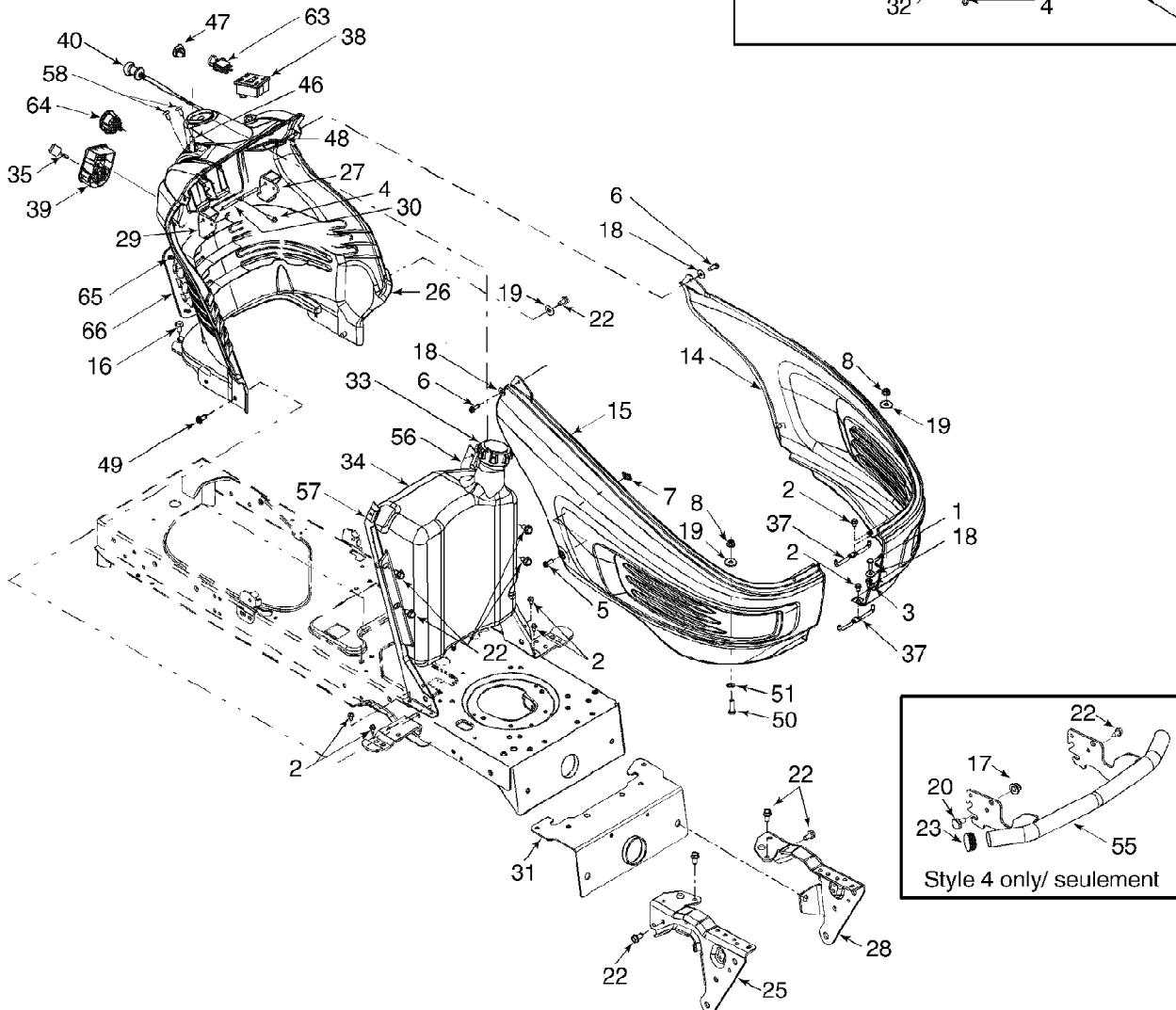
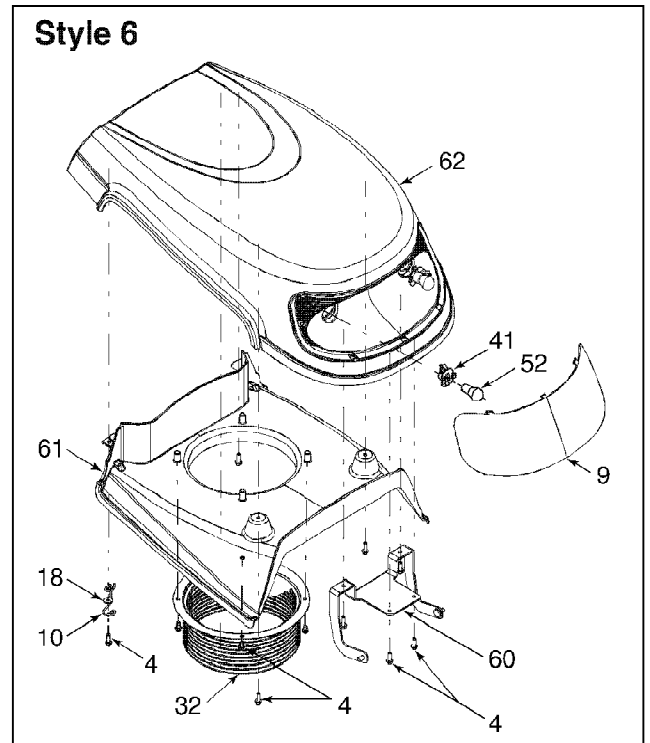
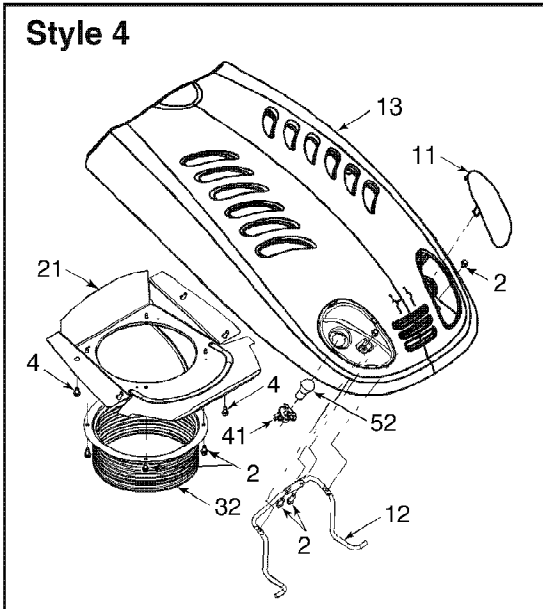


Exhaust gasket, mounting nuts, and starter nut supplied by Kohler/
Le joint d'échappement, les écrous de montage, et l'écrou de démarreur sont fournis par Kohler.

13AQ626P597 (2008)
Engine Connections

Page 8 of 23

Ref #	Part Number	Qty	S/P/F	Description
1	710-0227	1	/P	Hex AB Scr #8-18 x .50
2	710-0599	1	/P	Hex Wash S-Tapp Scr 1/4-20 x .50
3	710-04683	1		TT Screw 3/8-16 x 1.00
4	710-04484	1		S-Tapp Scr 5/16-18 x .75
5	710-1314A	1	/P	Scr. 5/16-18 x .75
6	N/A	1		Loctite 567 Sealant Purchase locally
7	725-0157	1	/P	Cable Tie
8	726-0205	1	/P	Hose Clamp
10	751-0564A	1	S	Muffler Deflector
11	751-0644B	1	/P	Exhaust Pipe LH
12	751-0645A	1	/P	Exhaust Pipe RH
13	751-0617B	1	S	Muffler
14	751-10349	1		Fuel Line
15	751-3141	1	S	Oil Drain Hose
16	751-10517	1	S	Oil Drain Cap
17	783-0615E	1		Muffler Bracket



13AQ626P597 (2008)
Hood & Grille

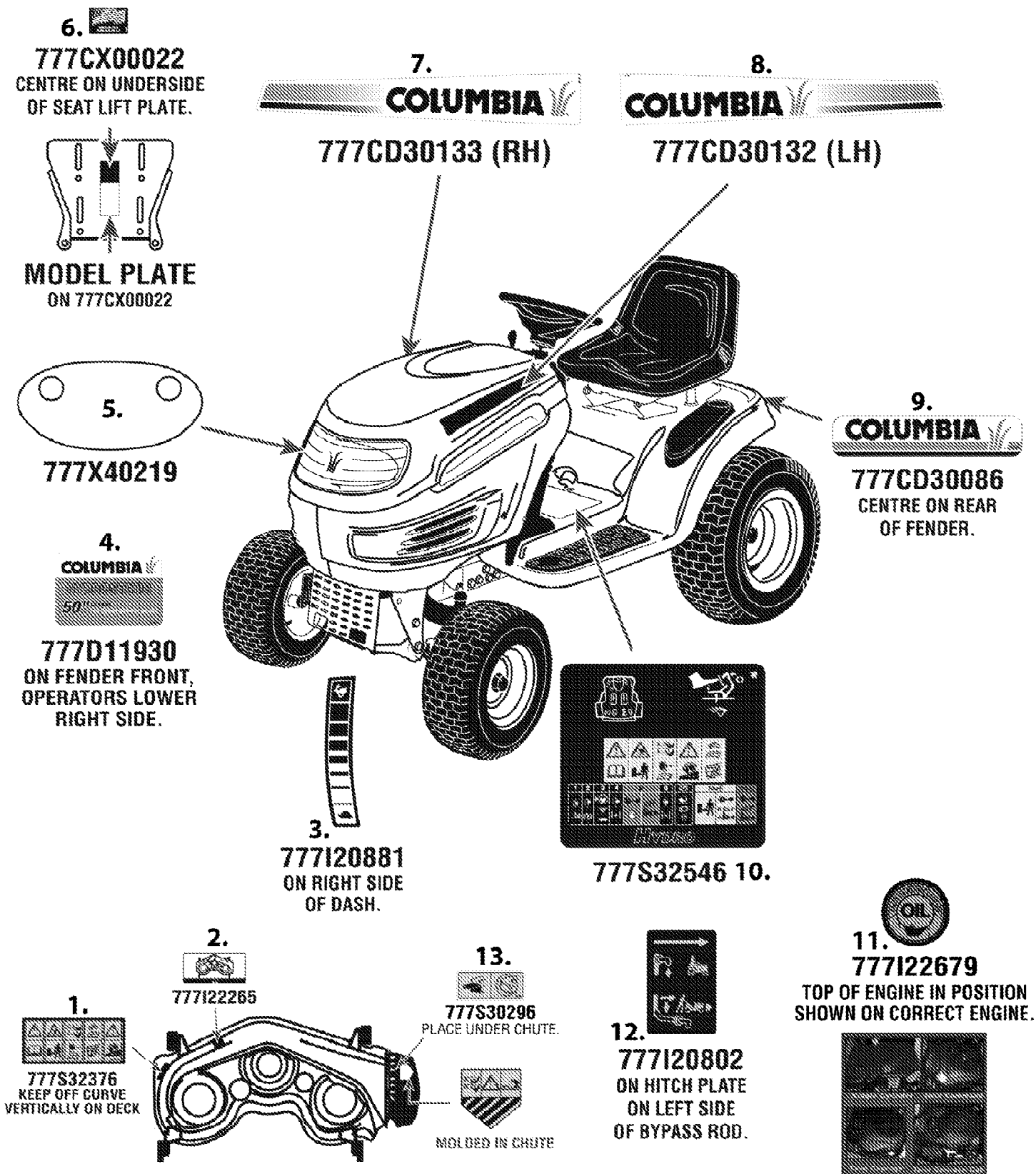
Page 10 of 23

Ref #	Part Number	Qty	S/P/F	Description
1	710-3015	1	/P	Hex Cap Bolt 1/4-20 x .75" Lg. Gr. 5
2	710-0599	1	/P	Hex Wash S-Tapp Scr. 1/4-20 x .50
3	712-04064	1	/P	Hex L-Flanged Nut 1/4-20 Gr. F, Nylon
4	710-0895	1		Hex Tapp Scr 1/4 x .75" Lg.
5	710-0924	1	/P	Truss Mach Scr 1/4-20 x .75" Lg.
6	710-0642	1	/P	Thd Forming Scr. 1/4-20 x .75 Lg.
7	712-0292	1	/P	Speed Nut
8	712-04063	1	/P	Flange Locknut 5/16-18 Gr. F, Nylon
9	731-2286A	1	S	Head Light Lens Style 6
10	747-2127	1		Hood Latch Rod
11	731-1979	1	S	LH Head Light Lens Style 4
11	731-1978	1	S	RH Head Light Lens Style 4
12	747-1132A	1	/P	Hood Support Rod
13	731-1980B	1	S	Hood, Style 4 (Yellow)
14	731-04958	1	S	LH Side Panel, Style 4, Yellow
14	731-5473	1		LH Side Panel, Style 6
15	731-1982C	1	S	RH Side Panel, Style 4, Yellow
15	731-2308B	1	S	RH Side Panel, Style 6
16	710-0607	1	/P	Hex Wash HD AB Tap Scr 5/16-18 x .5
17	712-04065	1	/P	Flange Locknut 3/8-16 Gr. F, Nylon
18	736-0173	1	/P	Flat Washer .28 ID x .74 DE x .063
19	736-3078	1	/P	Flat Washer .344 ID x 1.0
20	738-0143	1	/P	Shoulder Scr. .498 x .340: 3/8-16
21	783-0808A	1	S	Heat Shield, 4-style
22	710-04484	1		S-Tapp Scr 5/16-18 x .75
23	731-05674	1		Bumper Cap
25	783-0726E	1	/P	RH Dash Support Plate
26	731-05002	1		Dash Panel, (w/Manual PTO)
26	731-05037	1		Dash Panel, (w/Electric PTO)
27	731-04213	1		Parking Brake Button
28	783-0727D	1		LH Dash Support Plate
29	731-04214	1		Cruise Control Button
30	747-1155	1		Brake/Cruise Pivot Rod
31	783-0728B	1		Pivot Bar Brkt.
32	731-2232A	1	/P	Intake Bellow (Kohler and Intek Single)
32	731-2234A	1	/P	Intake Bellow (Intek Twin Engine)
33	751-0603	1	S	Cap-Fuel
34	751-0818D	1	S	Fuel Tank 2 Gal. (w/Electric PTO)
34	751-0659D	1	/P	Fuel Tank 2 Gal. (w/Manual PTO)
34	751-0658E	1	/P	Fuel Tank 3 Gal.
35	725-1745	1	S	Ignition Key w/Plastic Cover
35	725-1744	1	S	Ignition Key w/o Plastic Cover
37	747-04301	1		Side Panel Support
38	725-04036A	1	S	Systems Indicator Monitor w/Hour Meter
38	725-04036	1	S	Sys. Ind. Mon. w/Hr. Mtr., Curved Face
39	725-04230B	1	S	Ignition Switch-Export Module
40	746-1085A	1	S	Choke Cable 39" Lg. (Twin (optional))
40	746-1088	1	S	Choke Cable 23" Lg. (Single) (optional)
41	725-1649	1	S	Socket
46	746-04365	1		Throttle/Choke Cable (Twin 20 HP)
46	746-04417	1	S	Throttle/Choke Cable (Twin 25 HP)
46	746-04364	1		Throttle/Choke Cable (Single)
47	731-1999			

13AQ626P597 (2008)
Hood & Grille

Page 11 of 23

Ref #	Part Number	Qty	S/P/F	Description
48	783-0462	1	/P	Bracket - PTO Switch
49	710-1611B	1	/P	Screw 5/16-18 x .75
50	710-0376	1	/P	Hex Scr 5/16 x 1,00 Gr. 5
51	726-0201	1		Push Speed Nut
52	725-0963	1	S	Miniature Lamp 12V Socket Type
53	711-0332	1	S	Clevis Pin
54	714-0145	1	S	Hairpin Cotter
55	683-04219A	1	S	Bumper Assembly
56	783-04323F	1	S	L.H. Dash Support Plate
57	783-04285F	1	S	R.H. Dash Support Plate
58	710-1017	1	/P	Torx Mach. AB-Tapp Scr. 1/4-14 x .625 Lg
60	683-0305	1	S	Hood Bracket Assembly
61	731-2284	1		Hood Plenum
61	731-2358	1		Hood Plenum-Black
62	731-2283A	1	S	Hood, Style 6
62	731-05160	1	S	Hood, Style 6, Beige
63	725-1752	1	S	Electric PTO Switch (if equipped)
64	725-1741	1	S	Ignition Switch
65	726-04029	1		Ratchet Clip .30 Dia.
66	735-04023	1		Accessory Net
67	725-04404A	1	S	Headlight Harness (Elect. PTO w/hr. meter)
67	725-04403A	1	S	Headlight Harness (Manual PTO w/hr. meter)
	629-04083B	1	S	Wire Harness (not shown)



13AQ626P597 (2008)
Label Map

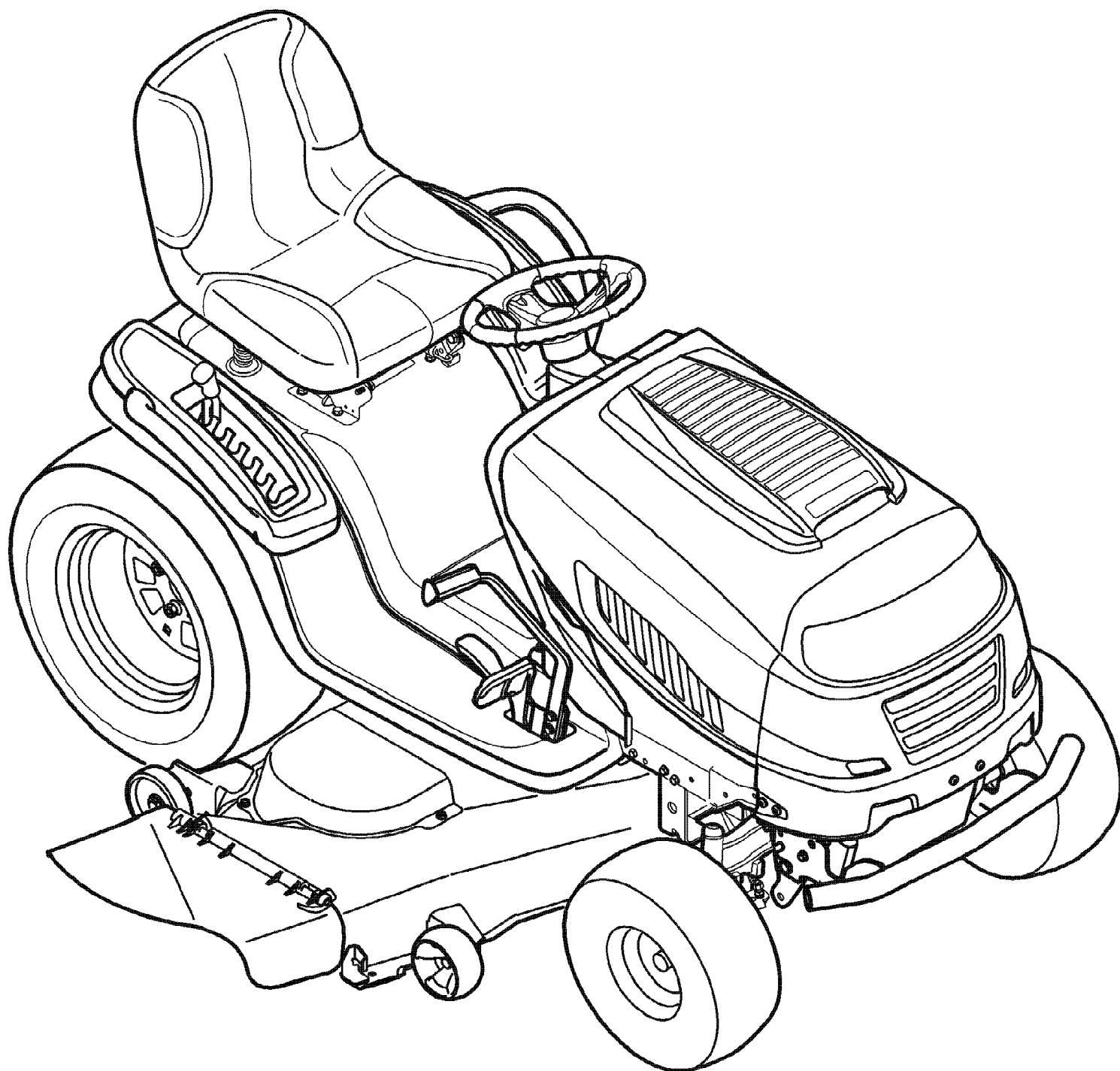
Page 13 of 23

Ref #	Part Number	Qty	S/P/F	Description
1	777S32376	1		LABEL:RIDER:SAFETY DECK
2	777I22265	1		LABEL-BELT ROUTE
3	777I20881	1		LABEL-DASH
4	777D11930	1		LABEL-HYD 50" FNDR
5	777X40219	1		LABEL-LENS REFLECT
6	777CX00022	1		LABEL:: MADE IN USA
7	777CD30133	1		LABEL-HOODSIDE RH
8	777CD30132	1		LABEL-HOODSIDE LH STY 6
9	777CD30086	1		LABEL-REAR FENDER
10	777S32546	1	S	LABEL-SAFETY/INST CANADA
11	777I22679	1		LABEL-CHECK ENG OIL
12	777I20802	1		LABEL-RT-99 HTCHPLT
13	777S30296	1		LABEL:RIDER DECK

13AQ626P597 (2008)
PTO & Battery

Page 15 of 23

Ref #	Part Number	Qty	S/P/F	Description
1	683-04173B	1		Lower Frame Assembly
2	710-0607	1	/P	Hex Wash HD S-Tapp Scr 5/16-18 x .50
3	710-0642	1	/P	Thd Forming Scr. 1/4-20 x .75 Lg.
4	710-04484	1		S-Tapp Scr 5/16-18 x .75
5	710-3005	1	/P	Hex Bolt 3/8-16 x 1.25
6	712-04064	1	/P	Hex L-Flanged Nut 1/4-20 Gr. F Nylon
7	712-04065	1	/P	Flange Lock-Nut 3/8-16 Gr. F Nylon
9	732-04035	1		Compression Spring 1.28 x 3.125
10	736-0222	1	S	Ext. L-Washer 1/4 ID
11	783-0693	1		Axle Bracket
12	710-0599	1	/P	Hex Wash S-Tapp Scr 1/4-20 x .50
13	725-04439	1		Solenoid
14	738-04058	1		Shoulder Spacer .38 x 1.0 x .70
15	747-04121A	1		Battery Retainer Rod
16	783-0349	1		Battery Tray
17	783-04329A	1		Frame Seat Bracket
18	783-04809D	1	S	Upper Frame (600)
18	783-04811C	1		Upper Frame (800)
19	710-3011	1	/P	Hex Cap Screw, 3/8-16 x 2.25 Gr. 5
20	710-3157A	1	/P	Hex Bolt 7/16-20 x 3.25 Gr. 5
21	717-04174A	1	S	Electric PTO Clutch 46 & 50" Deck
21	717-1774C	1	S	Electric PTO Clutch 54" Deck
22	736-0277	1		Flat Washer 1.03 ID x 1.64 OD x .095
23	748-0415B	1	/P	Spacer .385 ID x .635 OD x 1.54
24	756-0978B	1	/P	Engine Pulley (w/hydrostatic models)
24	756-0639A	1	/P	Engine Pulley, 3.56 OD
27	736-0171	1	S	Lockwasher 7/16 ID
29	717-04163	1	S	Electric PTO Clutch 42" Deck
32	783-04612	1	S	Steering Support Bracket
33	754-04033	1	S	V-Belt Type A Sec x 118.20 (46" Deck)
33	754-0642	1	S	V-Belt Type A Sec x 138.0 (54" Deck)
33	754-0467	1	S	V-Belt 90.8 (50" Deck)
34	754-0497	1	S	PTO Belt (w/42" deck)
35	725-1707D	1	S	Battery 245 CCA (Dry)
36	710-04666	1		Hex Flg. Bolt 1/4-10 x .75 Gr. 5
37	712-0271	1	/P	Sems Hex Nut 1/4-20
38	712-3087	1	/P	Wing Nut 1/4-20 Thd.
39	738-1132	1		Shoulder Screw, 1/4-20
40	710-04379A	1		Hex Hd. Cap Scr. 7/16-20 x 3.5

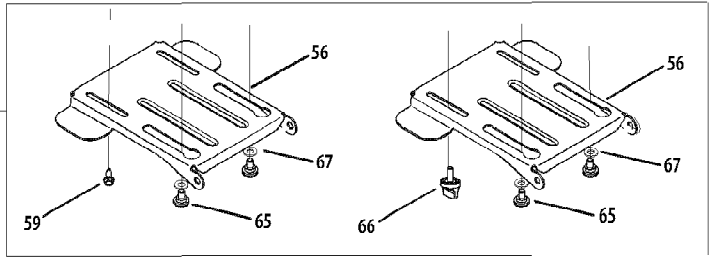


13AQ626P597 (2008)
Quick Reference

Page 17 of 23

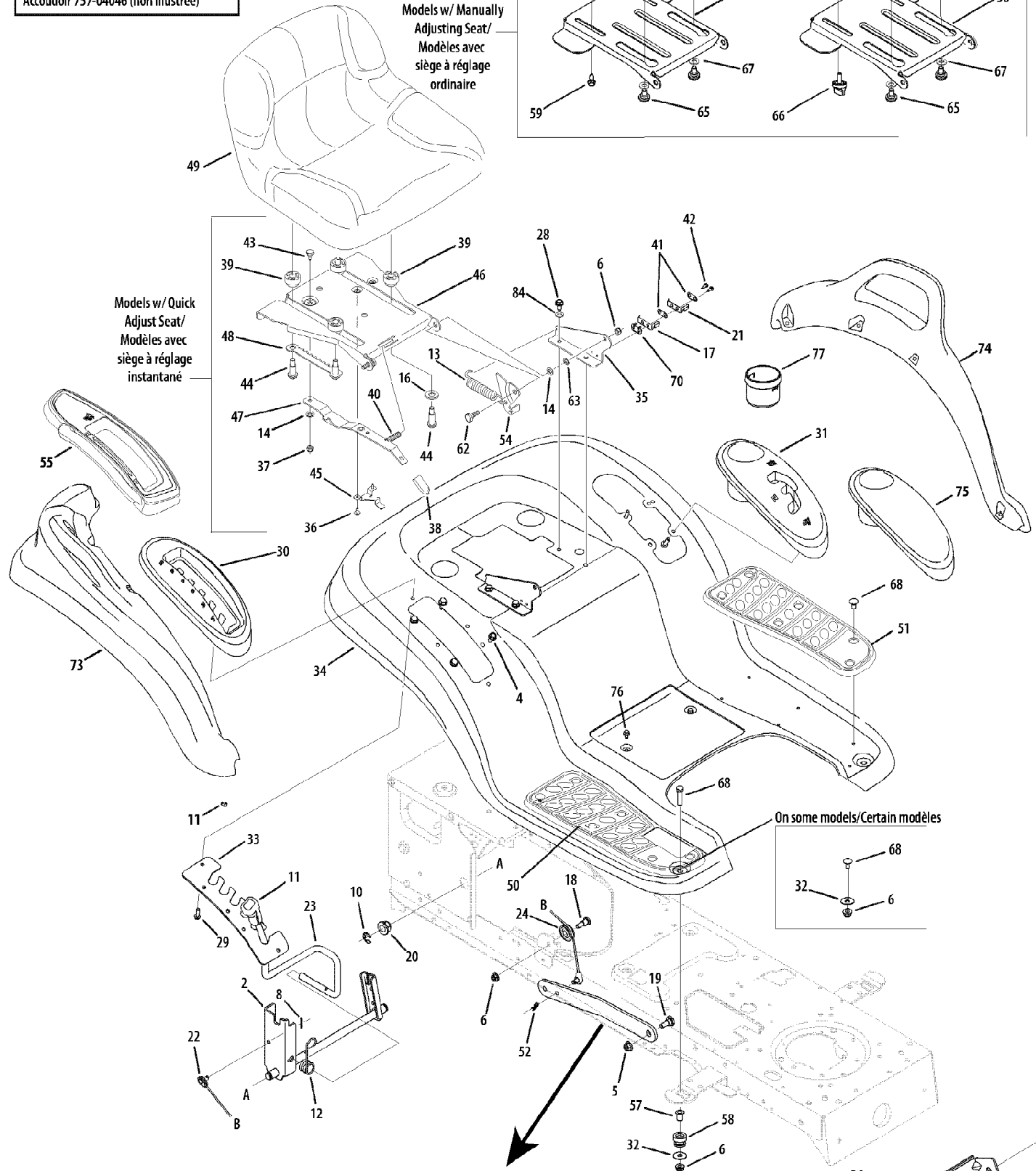
Ref #	Part Number	Qty	S/P/F	Description
	759-3336	1	/P	Spark Plug
	KH-12-050-01-S	1	/P	Oil Filter
	N/A	1		Pre Filter
	KH-32-883-03-S1	1	/P	Air Filter
	KH-25-050-22-S1	1	/P	Fuel Filter
	751-0603	1	S	Fuel cap
	618-04126A	1	S	Deck Spindles
	742-04053C	1	S	Blades
	712-0417A	1	/P	Blade Nut
	754-04165	1	S	Drive Belt
	754-0467	1	S	PTO Belt
	754-04164	1	S	Deck Belt
	734-04155	1		Deck Wheels - Front
	734-0973	1	/P	Deck Wheels - Rear
	721-04041	1	S	Water Nozzle Adapter
	725-1745	1	S	Ignition Keys
	725-1741	1	S	Ignition Switch Module
	725-1752	1	S	PTO Switch
	717-04174A	1	S	PTO Clutch
	631-04070A	1	/P	Discharge Chute
	731-04651	1		Mulch Plug
	OEM-190-032	1	/P	42-inch Two-stage Snow Thrower
	OEM-190-193	1		50-inch Deck Mulch Kit
	OEM-190-192	1	S	Triple Bagger Grass Collector (for 50-inch Decks)
	OEM-19A-128	1		Suitcase Weight
	OEM-190-607	1		Deluxe Tractor Sunshade
	OEM-190-964	1	/P	Tire Chains, 23 x 10.5/9.5 Tires
	OEM-190-751	1		Snow Cab

Armrest Assembly 757-04046 (not shown)/
Accoudoir 757-04046 (non illustrée)

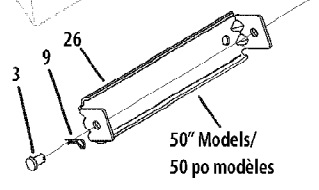
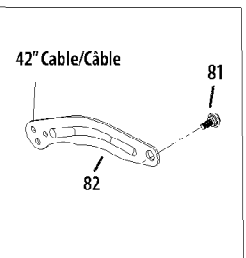
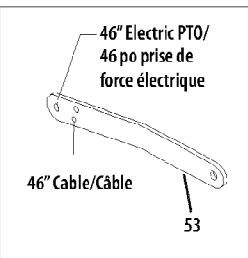
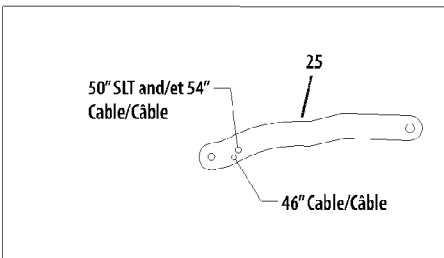
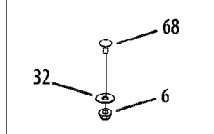


Models w/ Manually
Adjusting Seat/
Modèles avec
siège à réglage
ordinaire

Models w/ Quick
Adjust Seat/
Modèles avec
siège à réglage
instantané



On some models/Certain modèles



13AQ626P597 (2008)
Seat & Fender

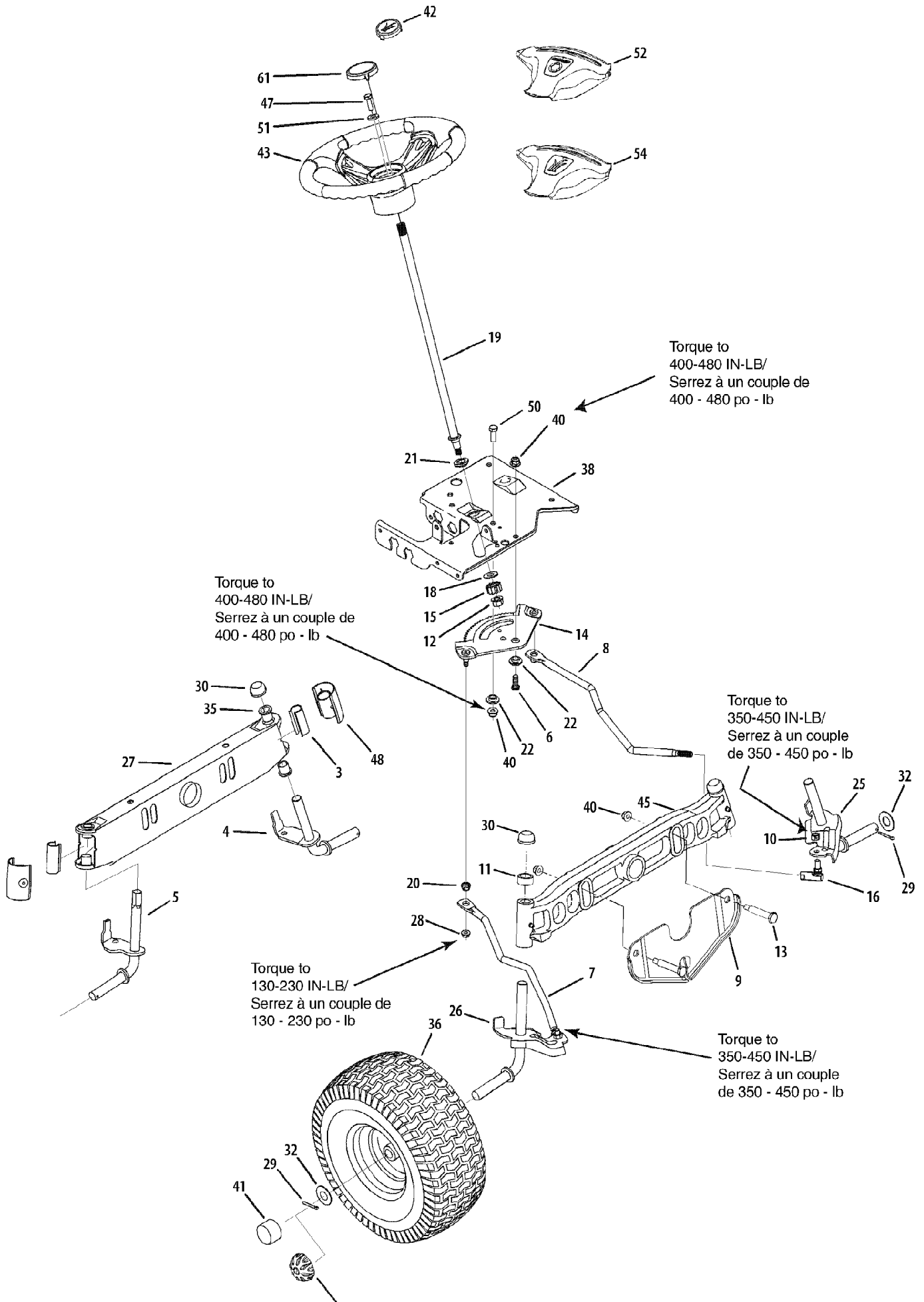
Page 19 of 23

Ref #	Part Number	Qty	S/P/F	Description
1	747-1130B	1	/P	Deck Stabilizer Rod
2	683-04223	1	S	Lift Shaft Assembly (42" and 46" Deck)
2	683-04118	1	S	Lift Shaft Assembly (54" Deck)
3	711-0332	1	S	Clevis Pin
4	710-04484	1		S-Tapp Scr 5/16-18 x .75
5	712-04065	1	/P	Hex Flange Locknut 3/8-16 Gr. F,Nylon
6	712-04063	1	/P	Hex Flange Locknut 5/16-18 Gr. F Nylon
7	712-3083	1	/P	Hex Nut, 1/2-13
8	714-0104	1	S	Int. Cotter Pin 5/16 Dia.
9	714-04023	1	S	Internal Cotter Pin .080 x 1.5625
10	716-0106A	1		E-ring
11	720-0311	1		Handle Grip
12	732-0874	1	/P	Torsion Spring
13	732-1184	1	/P	Extension Spring .84 x 4.6
14	736-0242	1	/P	Cupped Wash. .345 ID x .88 OD x .060
16	736-3019	1		Flat Washer .531 ID x 1.062 OD x .134
17	725-1439	1		Spring Switch, Inner
18	738-0138A	1	/P	Shoulder Scr. .437 Dia x .47
19	738-0380	1	S	Shoulder Screw .500 x .25 (46"/50")
20	741-0225	1	S	Hex Flange Bearing .630 ID
21	725-1303	1	S	Spring Switch, Outer
22	746-0968	1		Lift Cable, 16.16
23	747-04447	1		Lift Handle
24	756-1154	1		Roller Pulley
25	783-05546	1	S	Arm Lift (46"/54" deck w/electric PTO)
26	783-0720A	1	S	Deck Stabilizer Bracket
28	710-04484	1		S-Tapp Scr 5/16-18 x .75 (w/783-0677B)
28	710-1611B	1	/P	Screw 5/16-18 x .75 (601)
29	710-0895	1		Hex Scr. 1/4-15 x .75
30	731-1990	1		Lift Lever Cover
31	731-2104C	1	S	Shift Lever Cover w/Cup Holder
32	736-3078	1	/P	Flat Washer .344 ID x 1.0
33	783-0677B	1		Lift Adjustment Bracket
34	783-04331A	1		Fender (801)
34	783-04333A	1		Fender
35	783-1489C	1		Seal Mounting Bracket
36	710-1268	1	/P	Hex B-Tapp Wash Scr #10-16 x .375
37	712-04064	1	/P	Hex Flange Locknut 1/4-20 Gr. F Nylon
38	720-0309A	1	/P	Seat Adjuster Grip
39	731-04074	1		Spacer
40	732-0499	1		Compression Spring 1.5" Lg
41	726-0278	1		Insulator Plate
42	710-0227	1	/P	Hex Wash HD AB S-Tapp Scr #8-.50
43	738-0137A	1	S	Shoulder Screw .340 x .285: 1/4-20
44	738-0966A	1	/P	Shoulder Screw, .50 x .925, 3/8-16
45	783-0611	1		Seat Stop
46	783-0738D	1	/P	Seat Pivot Bracket
47	783-0739A	1	S	Seat Adjustment Lever
48	783-0753	1		Seat Adjustment Selector
49	757-04003A	1	/P	Seat 15.279" High, High Back-Blk
49	757-04012D	1		High Back Seat YM Yellow
50	735-0656	1		RH Foot Pad
51	735-0657	1		LH Foot Pad

13AQ626P597 (2008)
Seat & Fender

Page 20 of 23

Ref #	Part Number	Qty	S/P/F	Description
52	714-0111	1	S	Cotter Pin 3/32 dia. x 1.00 Lg.
53	783-04963A	1		Arm Lift (46" deck w/manual PTO & 50" deck)
54	783-0209D	1	/P	Seat Lift Bracket
55	731-05498A	1	/P	Lift Lever Cover (Model 60R)
56	783-04081B	1		Seat Pivot Bracket, Manually Adjusted
57	735-0190	1		Grommet
58	750-3310	1		Flg. Spacer .3125 x .4375 x .625
59	710-0870	1	/P	Hex Wash Hd Scr. 3/8-16 x .625 Gr. 5
61	726-3046	1	/P	Ratchet Clip .25 Dia.
62	738-0296	1	S	Shoulder Bolt .437 Dia. x .268
63	726-0201	1		Push Speed Nut (Quick Adjustment Only)
65	738-04012A	1	/P	Shoulder Spacer .625 x .175, 3/8-16
66	720-04061	1		Knob, 3/8-16 x .625
67	736-0300	1	S	Flat Washer .406 x .875 x .059
68	710-0451	1	/P	Carriage Bolt 5/16 x 18 x .75" Lg.
69	710-0604A	1	/P	Hex TT Scr. 5/16-18 x .875
70	726-0278	1		Insulator Plate
71	710-0932	1	/P	Carriage Bolt 1/4-20 x 1.00" Lg.
72	712-0271	1	/P	Sems Hex Nut 1/4-20
73	731-2618	1		RH Fender Flare
74	731-2619	1		LH Fender Flare
75	731-1993A	1		Cover w/Cup Holder
76	710-0599	1	/P	Hex Wash S-Tapp Scr 1/4-20 x .50
77	731-04591	1	S	Cup Holder, Style 7
78	712-0206	1	S	Hex Nut 1/2-13
79	736-3084	1	/P	Flat Washer .510 x 1.12 x .06
80	738-1011A	1	/P	Shoulder Screw .50 x 2.230:3/8-16
81	738-04130	1		Shoulder Screw .625 x .175: 3/8-16
82	783-04494B	1		Deck Lift Arm RH (42" Deck)
82	783-04711B	1	/P	Deck Lift Arm LH (Not Shown)
84	736-0607	1	/P	Ext. Lockwasher 5/16 ID



13AQ626P597 (2008)
Steering

Page 22 of 23

Ref #	Part Number	Qty	S/P/F	Description
1	683-04173B	1		Lower Frame Assembly
3	731-04057A	1		Axle End Cap - Std.
4	638-04006	1	S	LH Axle Assembly, .750 Dia. 42" Deck
5	638-04005	1	S	RH Axle Assembly, 750 Dia. 42" Deck
6	710-04095	1		Hex Cap Screw 3/8-16 x 1.00 Gr. 5 Spec.
7	711-1408	1		RH Drag Link
8	711-1409A	1	/P	LH Drag Link
9	783-04568	1		Fr. Deck Hanger Brkt. (Style 6 w/46" deck)
10	712-0214	1	S	Hex Cent. L-Nut 3/8-24
11	748-04068	1		Spacer .71 ID x .125 OD x .56" Lg.
12	712-0459	1	/P	Flange Lock Nut, 7/16-20
13	738-04128	1		Shoulder Bolt .50 x 2.38: 3/8-16
14	717-1550E	1	S	Steering Gear, 11/90 Ratio
15	717-1554	1		Steering Pinion Gear
16	723-0448A	1	S	Ball Joint, 7/16 - 20
18	736-3084	1	/P	Fl. Washer .510 x 1.120 x .060
19	738-04263	1		Steering Shaft, .625 OD x 24.25
20	741-0475	1	S	Plastic Bushing .380 ID
21	741-04237	1		Hex Flange Bearing, 5/8
22	738-04154	1		Shoulder Spacer
25	638-04003A	1	S	LH Axle Assembly, .750 Dia.
26	638-04004A	1	S	RH Axle Assembly, .750 Dia.
27	683-0128B	1	/P	Pivot Bar
28	712-3004A	1	/P	Hex Flange L-Nut 5/16-18 Gr. 5
29	714-04039	1		Cotter Pin 5/32" Dia. x 1.25, Head square
29	714-0162	1	/P	Cotter Pin 5/32" Dia. x 1.25
30	726-0341	1	/P	Push Cap, .750
32	736-0316	1	S	Flat Washer .780 ID X 1.56 OD
32	736-04228A	1		Flat Washer .781 ID x 1.90 OD
34	738-1011A	1	/P	Shoulder Screw, .5 x 2.2, 3/8-16
35	741-0660A	1	/P	Flange Bearing .760 ID x .937 OD
36	634-04086	1		Wheel Assembly, 15 x 6 x 6 Plastic Bushing
36	734-1731	1		Tire Only Not shown
36	634-04081	1	S	Rim Only Not shown, Plastic Bushing
36	741-0516B	1	/P	Bearing, Flange Plastic Bushing, Not shown
36	741-0990B	1	/P	Bearing, Flange w/Fitting Plastic Bushing, Not shown
36	634-04199	1		Wheel Assembly, 15 x 6 x 6 Ball Bearing
36	734-1731	1		Tire Only Not shown
36	634-04091A	1		Rim Only Not shown, Ball Bearing
36	741-04137	1	S	Bearing, Flange Ball Bearing, Not shown
36	734-0255	1	S	Valve Not shown
37	731-2290A	1	/P	Hub Cap
38	783-0653G	1		Steering Support Bracket
39	738-0143	1	/P	Shld. Scr. .500 Dia. X .335" Lg.
40	712-04065	1	/P	Hex Flange L-Nut 3/8-16 Gr. F
41	731-05674	1		Cap
42	731-04040	1		Steering Wheel Cap - Small w/logo
43	631-04028	1		Steering Wheel - 3 Spokes Std. Grip
43	631-04008A	1	/P	Steering Wheel - 3 Spokes Soft Grip
44	731-0484A	1	S	Plastic Hub Cap
45	719-04177A	1		Cast Iron Pivot Bar (.750 dia.)

13AQ626P597 (2008)
Steering

Page 23 of 23

Ref #	Part Number	Qty	S/P/F	Description
45	737-3000	1	S	Fitting, Lube, 3/16 Drive Type Not shown
45	737-0475	1	/P	Fitting, Lube, M6 Threaded Type Not shown
47	710-0643	1	/P	Hex Screw 5/16-18 X 1.00 Special
48	731-1291A	1	S	Pivot Bar End Cap
50	710-0514	1	/P	Hex Screw 3/16 x 1.00
51	736-3004	1	S	Flat Washer .406 ID x .875 OD x .105
52	731-04066A	1	/P	Steering Wheel Cover - Troy Bilt
53	710-1260A	1	/P	Hex Wash HD AB Tap Scr 5/16-12 x .75
54	731-04065A	1		Steering Wheel Cover - MTD
56	731-2625	1		Steering Wheel Cap
57	731-2624	1		Steering Wheel - Soft Grip
61	731-04039	1		Steering Wheel Cap - Small w/o logo