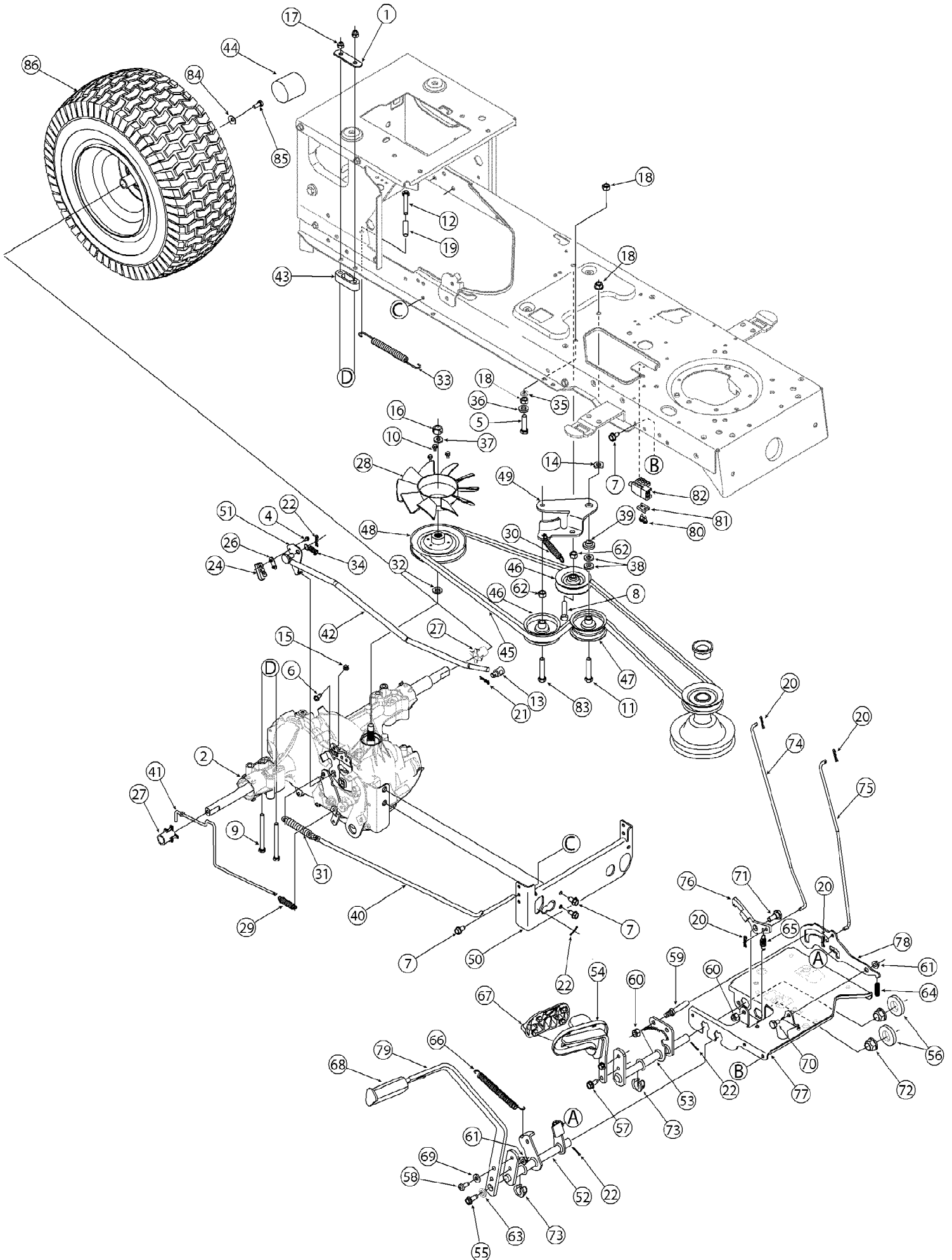


13AP616H597 (2008)
Drive & Rear Wheels



13AP616H597 (2008)
Drive & Rear Wheels

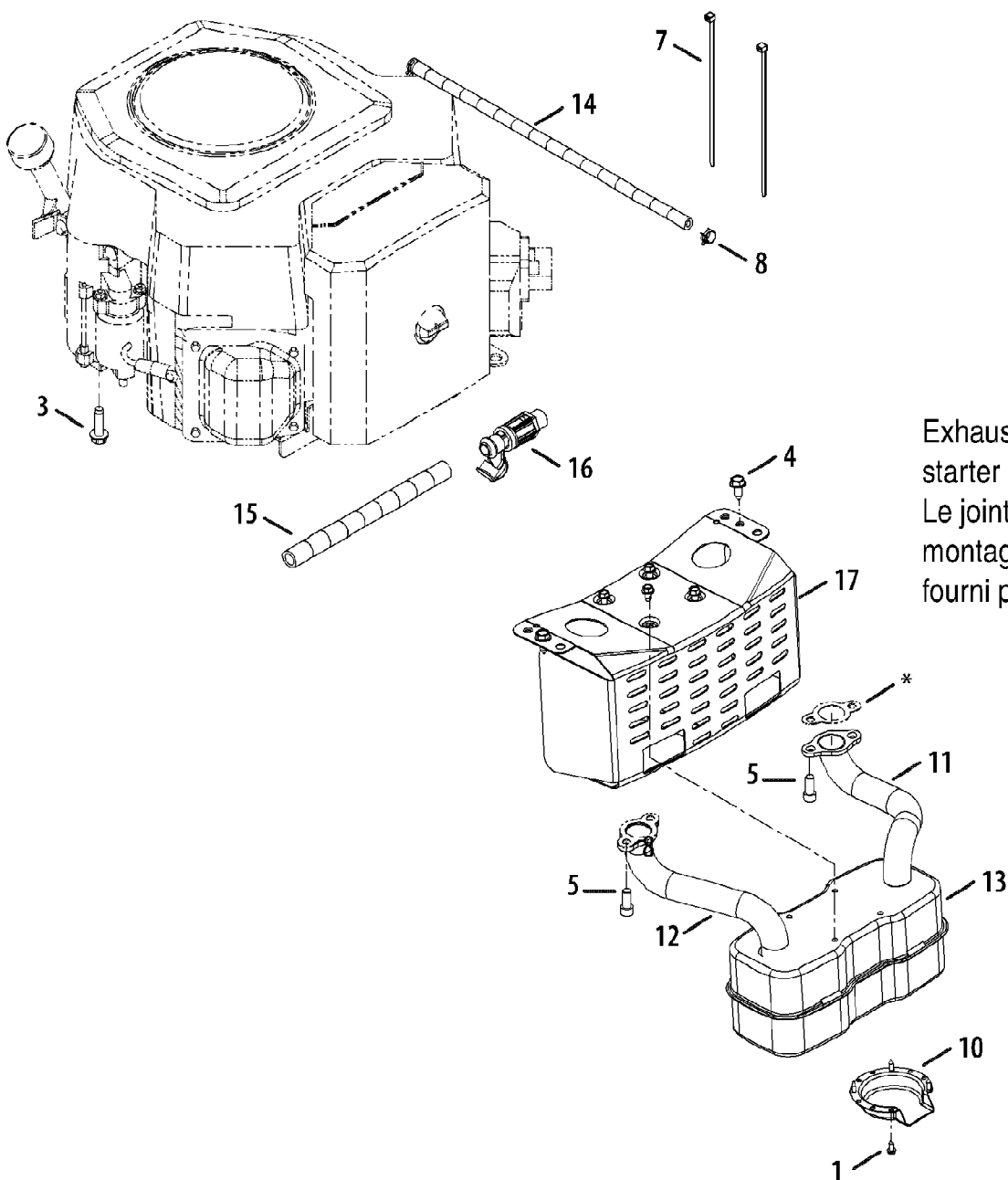
Page 2 of 26

Ref #	Part Number	Qty	S/P/F	Description
1	17840	1	S	Transaxle Mtg. Brkt.
2	618-0319	1	S	Hydrostatic Transmission
4	710-0227	1	/P	Hex Wash HD AB S-Tapp Scr #8-.50
5	710-0520	1	/P	Hex Screw 3/8-16 x 1.50
6	710-0653	1	/P	Hex Wash HD Tapp Scr 1/4-20 x .375
7	710-04484	1		S-Tapp Scr 5/16-18 x .75
8	710-0502A	1	/P	Hex Washer Scr 3/8-16 x 1.25
9	710-1266	1	/P	Hex Bolt 5/16-18 x 3.5" Lg.
10	710-3007	1	/P	Hex Tap Scr #12 x .375
11	710-3011	1	/P	Hex Bolt 3/8-16 x 2.25" Lg.
12	710-0778	1	/P	Hex Wash HD Bolt 1/4-20 x 1.50" Lg.
13	711-0832	1	S	Adjustment Ferrule 3/8-24
14	736-0258	1	/P	Flat Washer .385 ID X 1.0 OD X .130
15	712-0291	1	S	Hex Cent-L Nut 1/4-20
16	712-3066	1	S	Hex Nut 1/2-20 Grade 5
17	712-04063	1	/P	Flange Locknut 5/16-18 Gr. F, Nylon
18	712-0431	1	S	Hex. Flanged L-Nut 3/8-16 Gr. F
19	750-0566A	1	/P	Spacer .260 x .375 x 1.030 Lg.
20	712-3017	1	S	Hex Nut 3/8-16
21	714-0507	1	S	Cotter Pin 3/32 x .75
22	714-0111	1	S	Cotter Pin 3/32 dia x 1.00 Lg.
24	725-1644	1		Short Spring Switch
26	726-0320	1	S	Insulator Nut Plate
27	731-05299	1		Sleeve 0.765 x 1.5
28	731-1449A	1	S	Fan
29	732-0209	1	S	Extension Spring .47 OD x 2.03 Lg.
30	732-04323B	1	/P	Extension Spring
31	732-0716D	1	/P	Ext. Spring .59 OD x 4.00 Lg.
32	732-0729	1	/P	Wire Ring
33	732-0994	1		Extension Spring .75 x 5.39
34	732-3118	1		Extension Spring 3/8 x 1.44
35	736-0169	1	S	L-Wash 3/8 ID
36	736-0300	1	S	Flat Washer .385 ID x .87 OD x .06
37	736-0921	1	S	L-Washer 1/2" ID
38	736-3010	1		Flat Washer .406 ID x .812 OD x .134
39	738-0372B	1	/P	Shoulder Spacer
40	747-04139	1		Brake Rod
41	747-1149	1		Hydrostatic Bypass Rod
42	747-1151	1		Hydrostatic Control Rod
43	748-0334	1	S	Transaxle Spacer
44	731-05674	1		Hub Cap
45	754-04165	1	S	"V" Belt
46	756-04209	1	/P	Pulley, V-Type Drive 3.06
47	756-04224	1	/P	Idler Pulley, Flat 2.75 OD
48	756-04111	1		Input Pulley
49	783-04442	1		Idler Bracket
50	783-0810B	1	S	Transmission Torque Bracket
51	783-1019B	1	/P	Switch Actuator Bracket
52	647-04100	1	S	Brake Control Assembly
53	647-0049A	1	S	Drive Control Assembly
54	683-0267C	1	/P	Hydro Pedal Assembly
55	710-0650	1	/P	Hex Wash Taptite 5/16-18 x .875
56	736-0187	1	/P	Flat Washer .40 ID x 1.24 OD x .06

13AP616H597 (2008)
Drive & Rear Wheels

Page 3 of 26

Ref #	Part Number	Qty	S/P/F	Description
57	710-1260A	1	/P	Hex Wash. Hd. Scr. 5/16-18 x .75 Lg.
58	710-1611B	1	/P	Screw 5/16-18 x .75
59	711-04159B	1		Pin 3/8-16 x 2.68 Lg.
60	712-04065	1	/P	Flange Lock-Nut 3/8-16 Gr. F Nylon
61	712-3004A	1	/P	Hex Flange L-Nut 5/16-18
62	712-0240	1	S	Hex Jam Nut 7/16-20
63	736-0119	1	S	L-Wash 5/16 ID
64	732-0335	1		Com pression Spring
65	732-0955	1		Extension Spring, .50 OD x 1.41
66	732-0963	1		Extension Spring, .50 Dia. x 6.37
67	735-0662	1		AutoDrive Pedal Pad
68	735-3049A	1	/P	Brake Pad
69	736-3008	1	S	Flat Washer .312 ID x .75 OD
70	738-0155	1	S	Shld. Scr .437 Dia x .162 Lg.
71	738-0380	1	S	Shoulder Screw .500 x .25
72	741-0225	1	S	Hex Flange Bearing .630 ID
73	741-3065B	1	/P	Hex Flanged Bearing .628 ID
74	747-04093A	1		Brake Lock Rod
75	747-04096	1		Cruise Control Rod
76	748-04039C	1		Cruise Control Latch
77	783-04612	1	S	Steering Support Bracket
78	783-0663E	1	/P	Drive Lockout Bracket
79	747-04521	1		Brake Pedal
80	710-0224	1	S	Hex AB-Tap Scr #10 x .50" Lg.
81	17962	1		Switch Plate
82	725-04039	1	S	Interlock Switch
83	710-1007	1	/P	Hex L-Wash HD Scr 3/8-16 x 1.5
84	736-0242	1	/P	Cupped Washer .345 ID x .88 OD x .060
85	710-0627	1	/P	Hex L-Bolt 5/16-24 x .75 Gr. 5
86	634-0104	1		Wheel Assembly Complete, 20 x 8 x 8
86	734-1730	1		Tire Only, 20 x 8 x 8, Square Shoulder Not shown
86	634-0177	1	/P	Wheel Assembly Complete, 20 x 10 x 8
86	734-1873	1		Tire Only, 20 x 10 x 8, Square Shoulder Not shown
86	634-0070	1	/P	Rim Only Not shown
86	734-0255	1	S	Air Valve (Not Shown)
	725-0157	1	/P	Cable Tie (Not Shown)
	726-0154	1	S	Push Mount Tie (Not Shown)

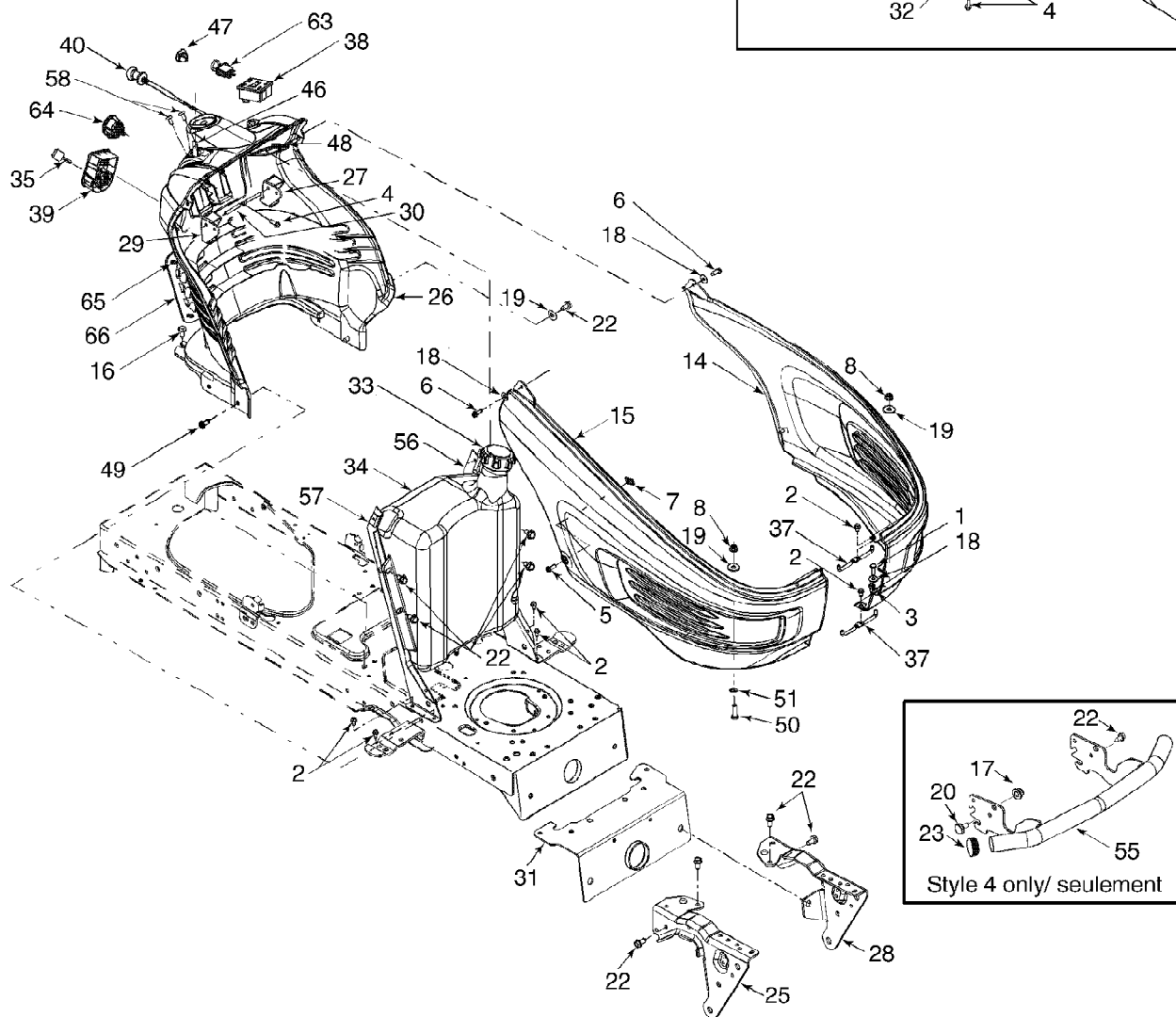
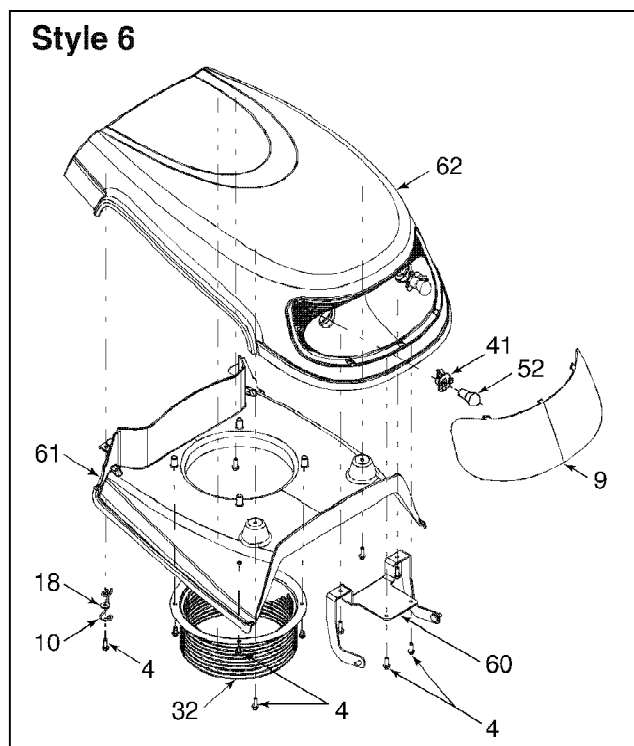
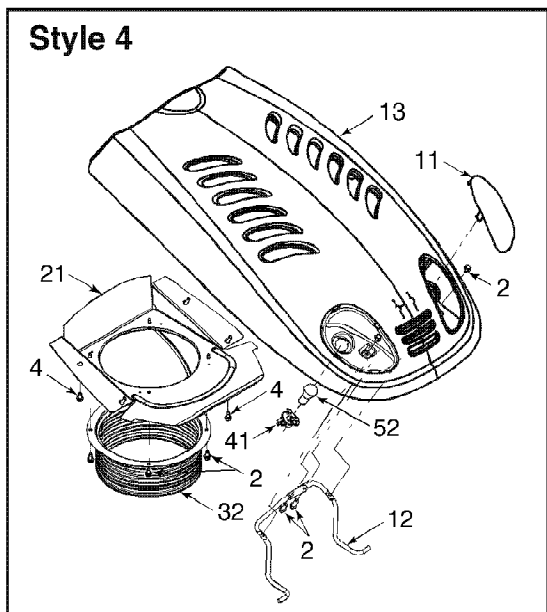


Exhaust gasket, mounting nuts, and starter nut supplied by Kohler/
Le joint d'échappement, les écrous de montage, et l'écrou de démarreur sont fournis par Kohler.

13AP616H597 (2008)
Engine Connections Twin

Page 5 of 26

Ref #	Part Number	Qty	S/P/F	Description
1	710-0227	1	/P	Hex AB Scr #8-18 x .50
2	710-0599	1	/P	Hex Wash S-Tapp Scr 1/4-20 x .50
3	710-04683	1		TT Screw 3/8-16 x 1.00
4	710-04484	1		S-Tapp Scr 5/16-18 x .75
5	710-1314A	1	/P	Scr. 5/16-18 x .75
6	N/A	1		Loctite 567 Sealant Purchase locally
7	725-0157	1	/P	Cable Tie
8	726-0205	1	/P	Hose Clamp
10	751-0564A	1	S	Muffler Deflector
11	751-0644B	1	/P	Exhaust Pipe LH
12	751-0645A	1	/P	Exhaust Pipe RH
13	751-0617B	1	S	Muffler
14	751-10349	1		Fuel Line
15	751-3141	1	S	Oil Drain Hose
16	751-10517	1	S	Oil Drain Cap
17	783-0615E	1		Muffler Bracket



13AP616H597 (2008)
Hood & Grille

Page 7 of 26

Ref #	Part Number	Qty	S/P/F	Description
1	710-3015	1	/P	Hex Cap Bolt 1/4-20 x .75" Lg. Gr. 5
2	710-0599	1	/P	Hex Wash S-Tapp Scr. 1/4-20 x .50
3	712-04064	1	/P	Hex L-Flanged Nut 1/4-20 Gr. F, Nylon
4	710-0895	1		Hex Tapp Scr 1/4 x .75" Lg.
5	710-0924	1	/P	Truss Mach Scr 1/4-20 x .75" Lg.
6	710-0642	1	/P	Thd Forming Scr. 1/4-20 x .75 Lg.
7	712-0292	1	/P	Speed Nut
8	712-04063	1	/P	Flange Locknut 5/16-18 Gr. F, Nylon
9	731-2286A	1	S	Head Light Lens Style 6
10	747-2127	1		Hood Latch Rod
11	731-1979	1	S	LH Head Light Lens Style 4
11	731-1978	1	S	RH Head Light Lens Style 4
12	747-1132A	1	/P	Hood Support Rod
13	731-1980B	1	S	Hood, Style 4 (Yellow)
14	731-04958	1	S	LH Side Panel, Style 4, Yellow
14	731-5473	1		LH Side Panel, Style 6
15	731-1982C	1	S	RH Side Panel, Style 4, Yellow
15	731-2308B	1	S	RH Side Panel, Style 6
16	710-0607	1	/P	Hex Wash HD AB Tap Scr 5/16-18 x .5
17	712-04065	1	/P	Flange Locknut 3/8-16 Gr. F, Nylon
18	736-0173	1	/P	Flat Washer .28 ID x .74 DE x .063
19	736-3078	1	/P	Flat Washer .344 ID x 1.0
20	738-0143	1	/P	Shoulder Scr. .498 x .340: 3/8-16
21	783-0808A	1	S	Heat Shield, 4-style
22	710-04484	1		S-Tapp Scr 5/16-18 x .75
23	731-05674	1		Bumper Cap
25	783-0726E	1	/P	RH Dash Support Plate
26	731-05002	1		Dash Panel, (w/Manual PTO)
26	731-05037	1		Dash Panel, (w/Electric PTO)
27	731-04213	1		Parking Brake Button
28	783-0727D	1		LH Dash Support Plate
29	731-04214	1		Cruise Control Button
30	747-1155	1		Brake/Cruise Pivot Rod
31	783-0728B	1		Pivot Bar Brkt.
32	731-2232A	1	/P	Intake Bellow (Kohler and Intek Single)
32	731-2234A	1	/P	Intake Bellow (Intek Twin Engine)
33	751-0603	1	S	Cap-Fuel
34	751-0818D	1	S	Fuel Tank 2 Gal. (w/Electric PTO)
34	751-0659D	1	/P	Fuel Tank 2 Gal. (w/Manual PTO)
34	751-0658E	1	/P	Fuel Tank 3 Gal.
35	725-1745	1	S	Ignition Key w/Plastic Cover
35	725-1744	1	S	Ignition Key w/o Plastic Cover
37	747-04301	1		Side Panel Support
38	725-04036A	1	S	Systems Indicator Monitor w/Hour Meter
38	725-04036	1	S	Sys. Ind. Mon. w/Hr. Mtr., Curved Face
39	725-04230B	1	S	Ignition Switch-Export Module
40	746-1085A	1	S	Choke Cable 39" Lg. (Twin (optional))
40	746-1088	1	S	Choke Cable 23" Lg. (Single) (optional)
41	725-1649	1	S	Socket
46	746-04365	1		Throttle/Choke Cable (Twin 20 HP)
46	746-04417	1	S	Throttle/Choke Cable (Twin 25 HP)
46	746-04364	1		Throttle/Choke Cable (Single)
47	731-1999			

13AP616H597 (2008)
Hood & Grille

Page 8 of 26

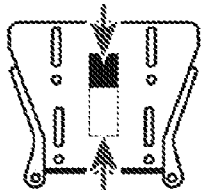
Ref #	Part Number	Qty	S/P/F	Description
48	783-0462	1	/P	Bracket - PTO Switch
49	710-1611B	1	/P	Screw 5/16-18 x .75
50	710-0376	1	/P	Hex Scr 5/16 x 1,00 Gr. 5
51	726-0201	1		Push Speed Nut
52	725-0963	1	S	Miniature Lamp 12V Socket Type
53	711-0332	1	S	Clevis Pin
54	714-0145	1	S	Hairpin Cotter
55	683-04219A	1	S	Bumper Assembly
56	783-04323F	1	S	L.H. Dash Support Plate
57	783-04285F	1	S	R.H. Dash Support Plate
58	710-1017	1	/P	Torx Mach. AB-Tapp Scr. 1/4-14 x .625 Lg
60	683-0305	1	S	Hood Bracket Assembly
61	731-2284	1		Hood Plenum
61	731-2358	1		Hood Plenum-Black
62	731-2283A	1	S	Hood, Style 6
62	731-05160	1	S	Hood, Style 6, Beige
63	725-1752	1	S	Electric PTO Switch (if equipped)
64	725-1741	1	S	Ignition Switch
65	726-04029	1		Ratchet Clip .30 Dia.
66	735-04023	1		Accessory Net
67	725-04404A	1	S	Headlight Harness (Elect. PTO w/hr. meter)
67	725-04403A	1	S	Headlight Harness (Manual PTO w/hr. meter)
	629-04083B	1	S	Wire Harness (not shown)



6.

777CX00022

CENTRE ON UNDERSIDE
OF SEAT LIFT PLATE.



MODEL PLATE
ON 777CX00022

7.

COLUMBIA

777CD30133 (RH)

8.

COLUMBIA

777CD30132 (LH)

9.



777CI00104
ON MAN. PTO HANDLE.

10.

COLUMBIA

777CD30086
CENTRE ON REAR
OF FENDER.

5.

777X40219

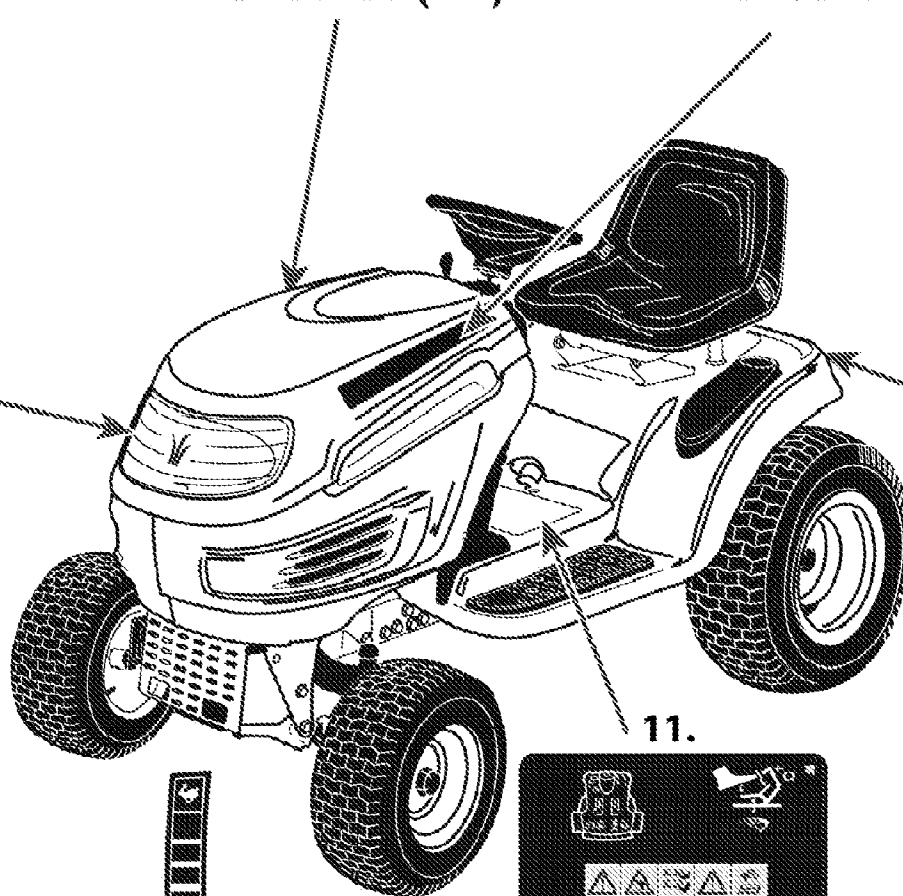
4.

COLUMBIA



777CD30146

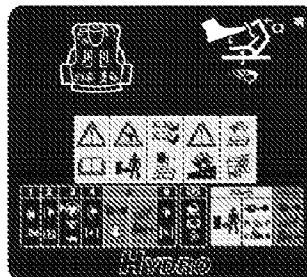
ON FENDER FRONT,
OPERATORS LOWER
RIGHT SIDE.



3.

777I20881
ON RIGHT SIDE
OF DASH.

11.



777S32546

2.



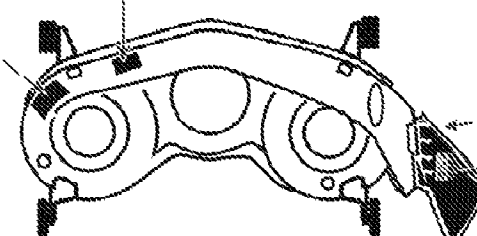
777I22648
FACING OPERATOR.

877S30051

1.



777S30544



14.



777S30296
PLACE UNDER CHUTE.

MOLDED IN CHUTE

13.



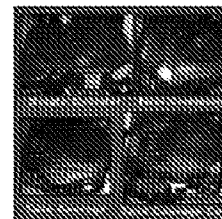
777I20802
ON HITCH PLATE
ON LEFT SIDE
OF BYPASS ROD.



12.

777I22679

TOP OF ENGINE IN POSITION
SHOWN ON CORRECT ENGINE.

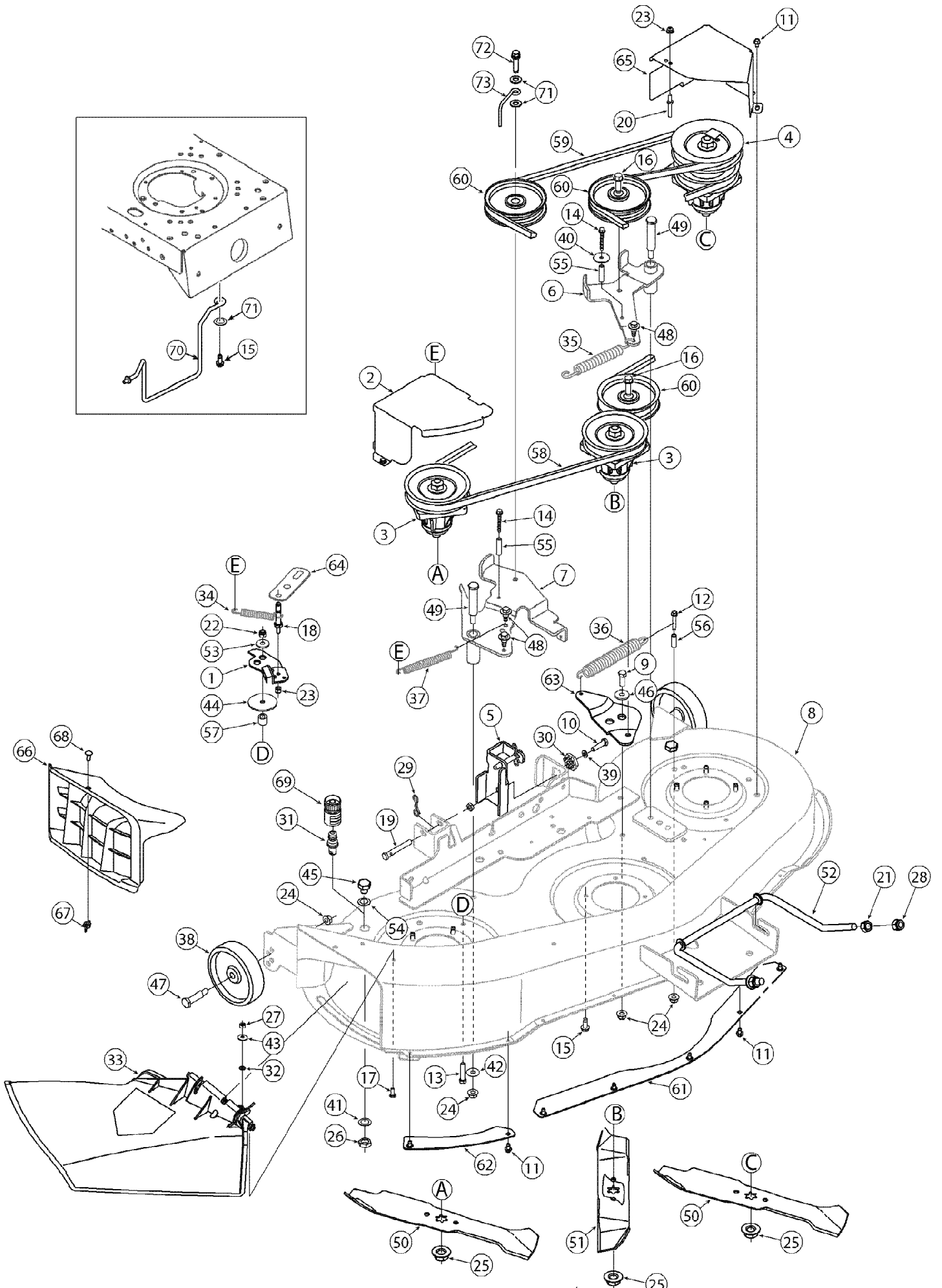


13AP616H597 (2008)
Label Map 46-inch

Page 10 of 26

Ref #	Part Number	Qty	S/P/F	Description
1	777S30544	1		LABEL-DECK SAFETY
2	777I22648	1		LABEL-DECK BELT ROUTE
3	777I20881	1		LABEL-DASH
4	777CD30146	1		LABEL-HYD 46" FNDR
5	777X40219	1		LABEL-LENS REFLECT
6	777CX00022	1		LABEL-MADE IN USA
7	777CD30133	1		LABEL-HOODSIDE RH STY 6
8	777CD30132	1		LABEL-HOODSIDE LH STY 6
9	777CI00104	1		LABEL-MANUAL PTO CANADA
10	777CD30086	1		LABEL-REAR FENDER COLUMBIA
11	777S32546	1	S	LABEL-SAFETY/INST CANADA
12	777I22679	1		LABEL-CHECK ENG OIL
13	777I20802	1		LABEL-RT-99 HTCHPLT
14	777S30296	1		LABEL:RIDER DECK: UNDERCHUTE EXP

13AP616H597 (2008)
Mowing Deck 46-inch



13AP616H597 (2008)
Mowing Deck 46-inch

Page 12 of 26

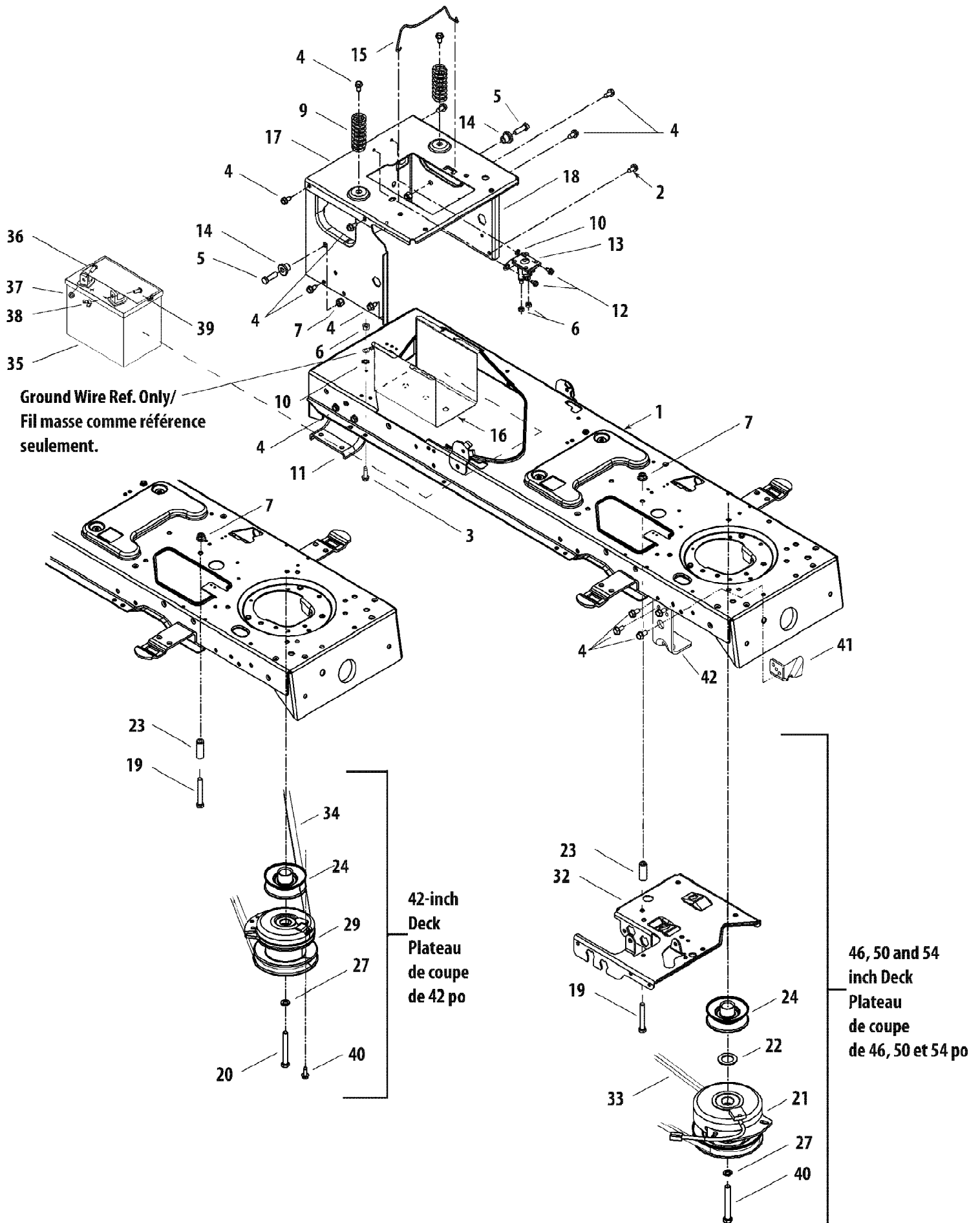
Ref #	Part Number	Qty	S/P/F	Description
1	17116	1	S	Deck Brake Bracket Ass'y
2	17258E	1		Belt Cover Brkt RH
3	618-0240A	1	S	Spindle Assembly, 5.0 Dia.
3	17983	1		Bearing Shield Not shown
3	619-0042A	1	/P	Spindle Housing Not shown
3	712-0417A	1	/P	Flange Nut:5/8-18 Not shown
3	738-0927	1		Spindle Shaft:4.450 LG. Not shown
3	941-0919	1	/P	Ball Bearing:20x47x14:62 Not shown
3	748-0434	1		Spacer:.750 x 1.150 x .230 Not shown
3	750-0952	1		Spacer:.792 x 1.060 x 1.800 Not shown
3	756-1187	1		Deck Pulley:5.00 Dia Not shown
4	618-04134B	1	S	Spindle, Double Pulley 46" Deck
4	17983	1		Bearing Shield Not shown
4	619-0042A	1	/P	Spindle Housing Not shown
4	712-0417A	1	/P	Flange Nut:5/8-18 Not shown
4	736-0315	1	/P	Flat Washer:.760 x 1.50 X .120 Not shown
4	938-1128	1	/P	Spindle Shaft:6.58 LG. Not shown
4	941-0919	1	/P	Ball Bearing:20x47x14:62 Not shown
4	750-04440	1		Spacer:.792 x 1.060 x 1.680 Not shown
4	750-0952	1		Spacer:.792 x 1.060 x 1.800 Not shown
4	750-1304	1		Spacer:.792 x 1.060 x .400 Not shown
4	756-04094	1		Deck Pulley:5.00 Dia x .80 Not shown
4	756-1188	1		Deck Pulley:5.75 Dia Not shown
5	683-0254B	1	/P	Deck Adjustment Bracket w/Weld Nut
6	683-04250A	1	/P	Idler Bracket Assembly - LH
7	683-04251A	1	/P	Idler Bracket Assembly - RH
8	683-04254	1	S	46" Deck (shell)
9	710-0514	1	/P	Hex Screw 3/16 x 1.00
10	710-0528	1	/P	Hex Bolt 5/16-18 x 1.25
11	710-0599	1	/P	Hex Wash S-Tapp Scr 1/4-20 x .50
12	710-0778	1	/P	Hex Wash HD Bolt 1/4-20 x 1.50" Lg.
13	710-0805	1	/P	Hex Bolt 5/16-18 x 1.50" Lg. Gr. 5
14	710-1026	1	/P	Hex TT-Tap Scr 1/4-20 x 1.75
15	710-1260A	1	/P	Hex Wash. Hd. Scr. 5/16-18 x .75 Lg.
16	710-1315	1	/P	TT Screw 3/8-16 x 1.25
17	710-3015	1	/P	Hex Cap Bolt 1/4-20 x .75" Lg.
18	711-04636	1		Pin, 1/4-20, 3/8 x 2.0
19	711-04669	1		Clevis Pin, 3/8 x 2.75
20	711-0993	1	S	Belt Guard Pin
21	712-0206	1	S	Hex Nut 1/2-13
22	712-04063	1	/P	Flange Locknut 5/16-18 Gr. F, Nylon
23	712-04064	1	/P	Hex L-Flanged Nut 1/4-20 Gr. F Nylon
24	712-04065	1	/P	Flange Lock-Nut 3/8-16 Gr. F Nylon
25	712-0417A	1	/P	Hex Flange Nut 5/8-18
26	712-0641	1	S	Hex Nut M16-1.5 DIN 936
27	712-3006	1	/P	Hex Nut 1/4-20 Gr. 5
28	712-3083	1	/P	Hex Nut, 1/2-13
29	714-04043	1		Bow Tie Cotter Pin 1/8 x 1.25
30	717-04074	1	S	Deck Adjustment Gear
31	737-04003C	1	S	Port, Water
32	726-0233	1	/P	Bolt Retainer 1/4" x .50" OD
33	731-1032B	1	S	Chute Deflector (Plastic)
34	732-0429A	1	S	Port, Water .50 OD x 3.97" Lg.

13AP616H597 (2008)
Mowing Deck 46-inch

Page 13 of 26

Ref #	Part Number	Qty	S/P/F	Description
35	732-04400	1		Extension Spring .75 x 6.835
36	732-0594A	1	S	Extension Spring
37	732-0814	1		Extension Spring
38	734-0973	1	/P	Wheel Ass'y - Deck 5" x 1.38"
39	736-0119	1	S	L-Wash 5/16 ID
40	736-0211	1	S	Flat Washer .285 ID x 1.25 OD x .060
41	736-0225	1	/P	L-Washer Internal
42	736-0258	1	/P	Flat Washer .385 ID x 1.0 OD x .130
43	736-0270	1	/P	Cupped Washer .265 ID x .75 OD x .062
44	736-0418A	1	/P	Flat Washer .34 ID x 2.25 OD x .100
45	738-04146	1		Screw Plug M16 x 1.50
46	738-0347	1	S	Shoulder Spacer
47	738-0373	1	S	Shoulder Bolt .498 Dia x 1.53 x 3/8-16
48	738-04091	1	S	Shoulder Screw .43 x .29, 5/16-18
49	738-04216A	1	/P	Shoulder Screw .625 x 2.515 x .875
50	742-0611A	1	S	Three-in-one Blade, Star Centre 16.28"
51	742-0612A	1	S	Three-in-one Blade, Star Centre 14.88"
52	747-1130B	1	/P	Deck Front Hanger Rod
53	748-0234	1	/P	Shoulder Spacer .25 THK
54	736-0187	1	/P	Flat Washer .640 ID x 1.24 OD x .06
55	750-04456	1		Spacer .260 x .372 x 1.420
56	750-0566A	1	/P	Spacer .260 x .375 x 1.030 Lg.
57	750-1320	1		Spacer .375 x .63 x .595
58	754-0349	1	S	V-Belt
59	754-04122	1	S	Belt, V-type, à x 90.24
60	756-04129	1	S	Idler Poulie w/Flange 4.25 Dia
61	783-0141	1		Center Deck Skirt
62	783-0142	1	S	RH Deck Skirt
63	783-04641A	1		Idler Bracket
64	783-05321	1	S	Brake Bracket 46"
65	783-1348D	1	/P	Belt Cover LH
66	731-05264	1		Mulching Plug
67	712-3087	1	/P	Wing Nut 1/4-20 Thd.
68	710-0134	1	/P	Carriage Bolt 1/4-20 x .62
69	721-04041	1	S	Water Nozzle Adaptor
70	683-04414-0637	1	/P	Belt Keeper Rod 46" Deck
71	736-0300	1	S	Flat Washer .385 ID x .87 OD x .06
72	710-1007	1	/P	Hex L-Wash HD Scr 3/8-16 x 1.5
73	747-04530	1		Belt Keeper Rod, 42" Idler

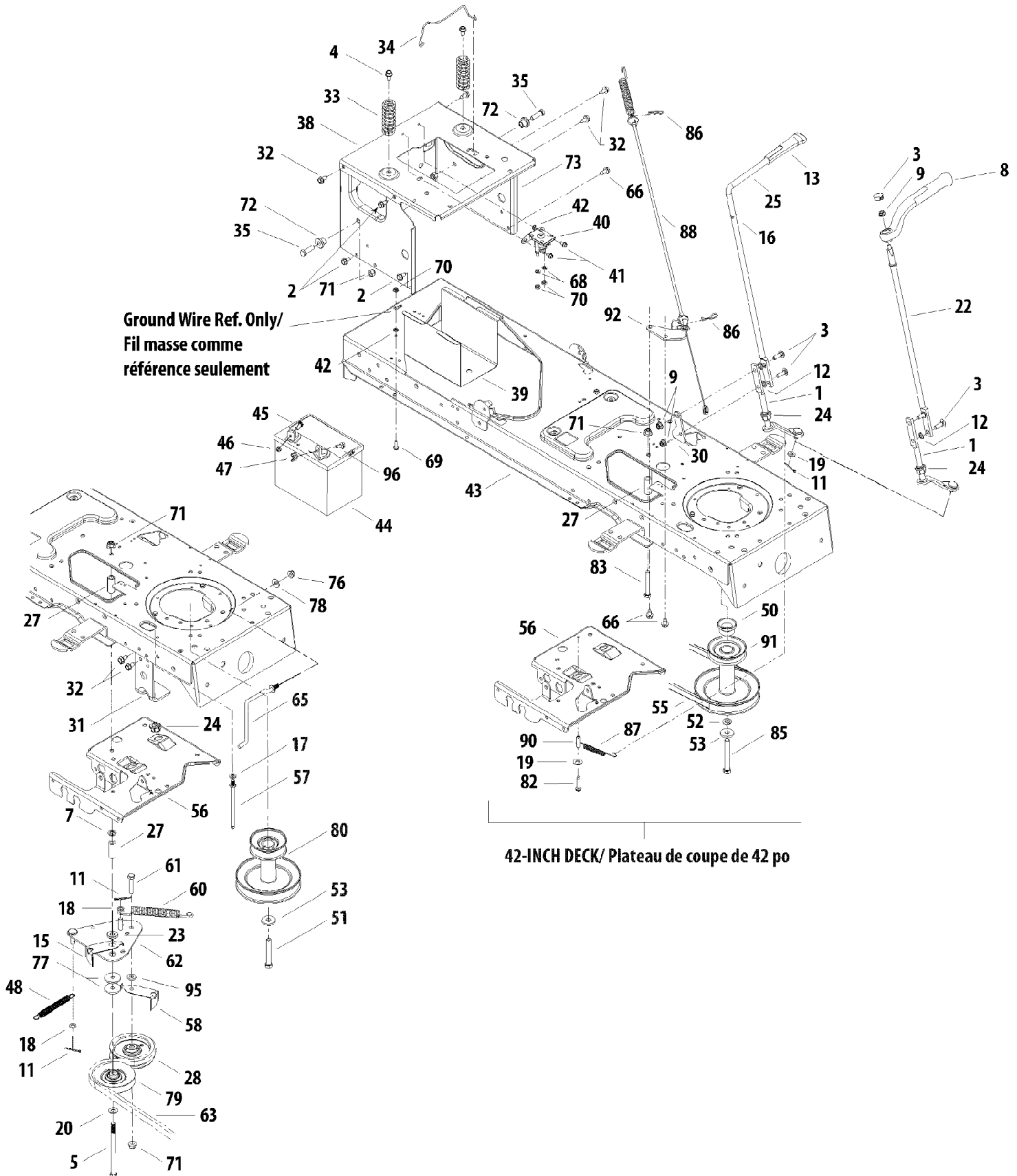
13AP616H597 (2008)
PTO & Battery Electric



13AP616H597 (2008)
PTO & Battery Electric

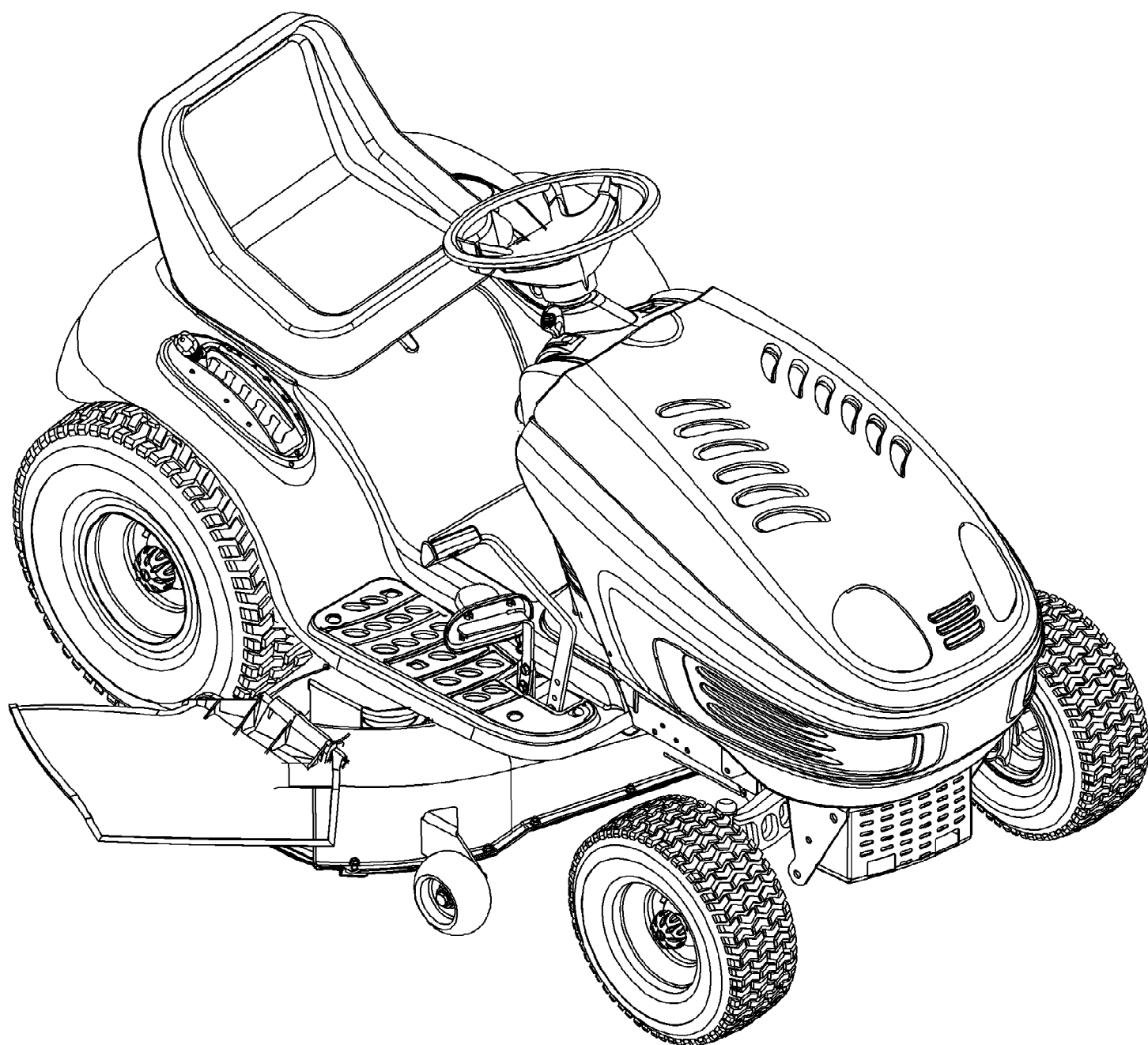
Page 15 of 26

Ref #	Part Number	Qty	S/P/F	Description
1	683-04173B	1		Lower Frame Assembly
2	710-0607	1	/P	Hex Wash HD S-Tapp Scr 5/16-18 x .50
3	710-0642	1	/P	Thd Forming Scr. 1/4-20 x .75 Lg.
4	710-04484	1		S-Tapp Scr 5/16-18 x .75
5	710-3005	1	/P	Hex Bolt 3/8-16 x 1.25
6	712-04064	1	/P	Hex L-Flanged Nut 1/4-20 Gr. F Nylon
7	712-04065	1	/P	Flange Lock-Nut 3/8-16 Gr. F Nylon
9	732-04035	1		Compression Spring 1.28 x 3.125
10	736-0222	1	S	Ext. L-Washer 1/4 ID
11	783-0693	1		Axle Bracket
12	710-0599	1	/P	Hex Wash S-Tapp Scr 1/4-20 x .50
13	725-04439	1		Solenoid
14	738-04058	1		Shoulder Spacer .38 x 1.0 x .70
15	747-04121A	1		Battery Retainer Rod
16	783-0349	1		Battery Tray
17	783-04329A	1		Frame Seat Bracket
18	783-04809D	1	S	Upper Frame (600)
18	783-04811C	1		Upper Frame (800)
19	710-3011	1	/P	Hex Cap Screw, 3/8-16 x 2.25 Gr. 5
20	710-3157A	1	/P	Hex Bolt 7/16-20 x 3.25 Gr. 5
21	717-04174A	1	S	Electric PTO Clutch 46 & 50" Deck
21	717-1774C	1	S	Electric PTO Clutch 54" Deck
22	736-0277	1		Flat Washer 1.03 ID x 1.64 OD x .095
23	748-0415B	1	/P	Spacer .385 ID x .635 OD x 1.54
24	756-0978B	1	/P	Engine Pulley (hydrostatic models)
24	756-0639A	1	/P	Engine Pulley, 3.56 OD
27	736-0171	1	S	Lockwasher 7/16 ID
29	717-04163	1	S	Electric PTO Clutch 42" Deck
32	783-04612	1	S	Steering Support Bracket
33	754-04033	1	S	V-Belt Type A Sec x 118.20 (46" Deck)
33	754-0642	1	S	V-Belt Type A Sec x 138.0 (54" Deck)
33	754-0467	1	S	V-Belt 90.8 (50" Deck)
34	754-0497	1	S	PTO Belt (w/42" deck)
35	725-1707D	1	S	Battery 245 CCA (Dry)
36	710-04666	1		Hex Flg. Bolt 1/4-10 x .75 Gr. 5
37	712-0271	1	/P	Sems Hex Nut 1/4-20
38	712-3087	1	/P	Wing Nut 1/4-20 Thd.
39	738-1132	1		Shoulder Screw, 1/4-20
40	710-04379A	1		Hex Hd. Cap Scr. 7/16-20 x 3.5



Ref #	Part Number	Qty	S/P/F	Description
1	647-04036A	1	S	PTO Engage lever Assembly
2	710-0604A	1	/P	Hex Hd. TT Scr. 5/16-18 x .625
3	710-0276	1	/P	Carriage Bolt 5/16-18 x 1.00" Lg
4	710-1260A	1	/P	Hex Wash HD AB Tap Scr 5/16-12 x .75
5	710-0831	1		Hex Cap Screw, 3/8-16 x 1.5
7	712-0229	1		Push Nut Bolt Retainer
8	647-04147	1		PTO Knob
9	712-3004A	1	/P	Hex Flange L-Nut 5/16-18
11	714-0115	1	S	Cotter Pin 1/8" Dia x 1.00
12	726-0201	1		Push Speed Nut
13	731-2111B	1	/P	PTO Knob
15	732-04245A	1		Belt Guard
16	736-0108	1	S	Flat Washer .510 ID x .75 OD x .033
17	736-0119	1	S	L-Wash 5/16 ID
18	736-0140	1	S	Flat Washer .385 ID x .62 OD x .06
19	736-0173	1	/P	Flat Washer .28 ID x .74 OD x .063
20	736-0300	1	S	Flat Washer .385 ID x .87 OD x .06
21	720-0425	1		Cap Plug .812 dia.
22	747-04855	1		Deck Engagement Handle
23	738-0372B	1	/P	Shoulder Spacer
24	741-0708	1		Hex Split Flange Bearing .50 ID
25	747-04855	1		Deck Engagement Handle
27	748-0415B	1	/P	Spacer .385 ID x .635 OD x 1.54
28	756-0627D	1	/P	Flat Idler Pulley 3.5 OD
30	783-0744A	1		Engagement Stop Bracket
31	783-04467	1		Deck Stop
32	710-0726	1	/P	Hex Wash HD AB Tap Scr 5/16 x .75
33	732-04035	1		Compression Spring 1.28 x 3.125
34	747-04121A	1		Battery Retainer Rod
35	710-3005	1	/P	Hex Bolt 3/8-16 x 1.25
38	783-04329A	1		Frame Seat Bracket
39	783-0349	1		Battery Tray
40	725-1426	1	S	Solenoid
41	710-0599	1	/P	Hex Wash S-Tapp Scr 1/4-20 x .50
42	736-0222	1	S	Ext. L-Washer 1/4 ID
43	683-04173B	1		Lower Frame Assembly
44	725-1707D	1	S	Battery 245 CCA (Dry)
45	710-0703	1	/P	Carriage Bolt 1/4-10 x .75
46	712-0271	1	/P	Sems Hex Nut 1/4-20
47	712-3087	1	/P	Wing Nut 1/4-20 Thd.
48	732-1165	1	S	Extension Spring .50 x 5.0
50	750-0956	1		Spacer 1.010 x 1.4 x .825
51	710-04377	1		Hex Bolt 7/16-20 x 2.75 Gr. 5
52	736-0322	1	/P	Flat Washer .450 x 1.25 x .164
53	736-0171	1	S	Lockwasher 7/16 ID
55	754-0497	1	S	PTO Belt (w/42" deck)
56	783-04612	1	S	Steering Support Bracket
57	711-1044A	1	/P	Keeper Pin 5/16 x 4.75
58	732-1013	1		Belt Guard
60	732-0944	1		Extension Spring .75 x 6.75
61	710-1007	1	/P	Hex TT Sems Scr. 3/8-16 x 1.5
62	683-0302	1	/P	PTO Engagement Plate
63	754-04064	1		PTO Belt (w/46" Deck)

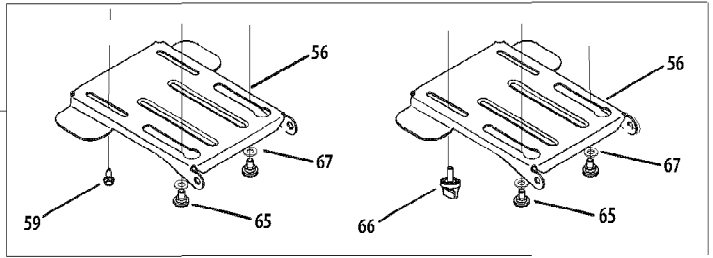
Ref #	Part Number	Qty	S/P/F	Description
65	747-04355	1		Belt Keeper Rod
66	710-0607	1	/P	Hex Wash HD S-Tapp Scr 5/16-18 x .50
68	736-0329	1	S	L-Wash 1/4 ID
69	710-0642	1	/P	Thd Forming Scr. 1/4-20 x .75 Lg.
70	712-04064	1	/P	Hex L-Flanged Nut 1/4-20 Gr. F Nylon
71	712-04065	1	/P	Flange Lock-Nut 3/8-16 Gr. F Nylon
72	738-04058	1		Shoulder Spacer .38 x 1.0 x .70
73	783-04809	1	/P	Upper Frame
77	736-0227	1	S	Flat Washer .39 ID x 1.5 OD x .135
78	736-0242	1	/P	Cupped Washer .345 ID x .88 OD x .060
79	756-0487	1	/P	4" Dia. V-Idler
80	756-04207	1	S	Engine Pulley 3.39 x 6.12 Dia 46"
80	756-04208A	1	/P	Engine Pulley 3.56 x 6.12 Dia 46" (hydrostatic models)
82	710-0778	1	/P	Hex Bolt 1/4-20 x 1.5
83	710-0859	1	/P	Hex Cap Screw, 3/8-16 x 2.5
85	710-04608	1		Hex Bolt 7/16-20 x 3.25 Gr. 5
86	714-0145	1	S	Internal Cotter Pin
87	732-04248	1		Extension Spring .38 OD x 3.9 Lg.
88	746-04353A	1	S	Deck Engage Cable
90	750-0566A	1	/P	Spacer .260 x .375 x 1.030 Lg.
91	756-04196	1	S	Engine Pulley 3.39 x 6.12 dia 42" Trans
91	756-04195	1	S	Engine Pulley 3.56 x 6.12 Dia 42" Hydro
92	783-05358	1		Cable Bracket
95	736-3010	1		Flat Washer .406 ID x .812 OD x .134
96	738-1132	1		Shoulder Screw, 1/4-20



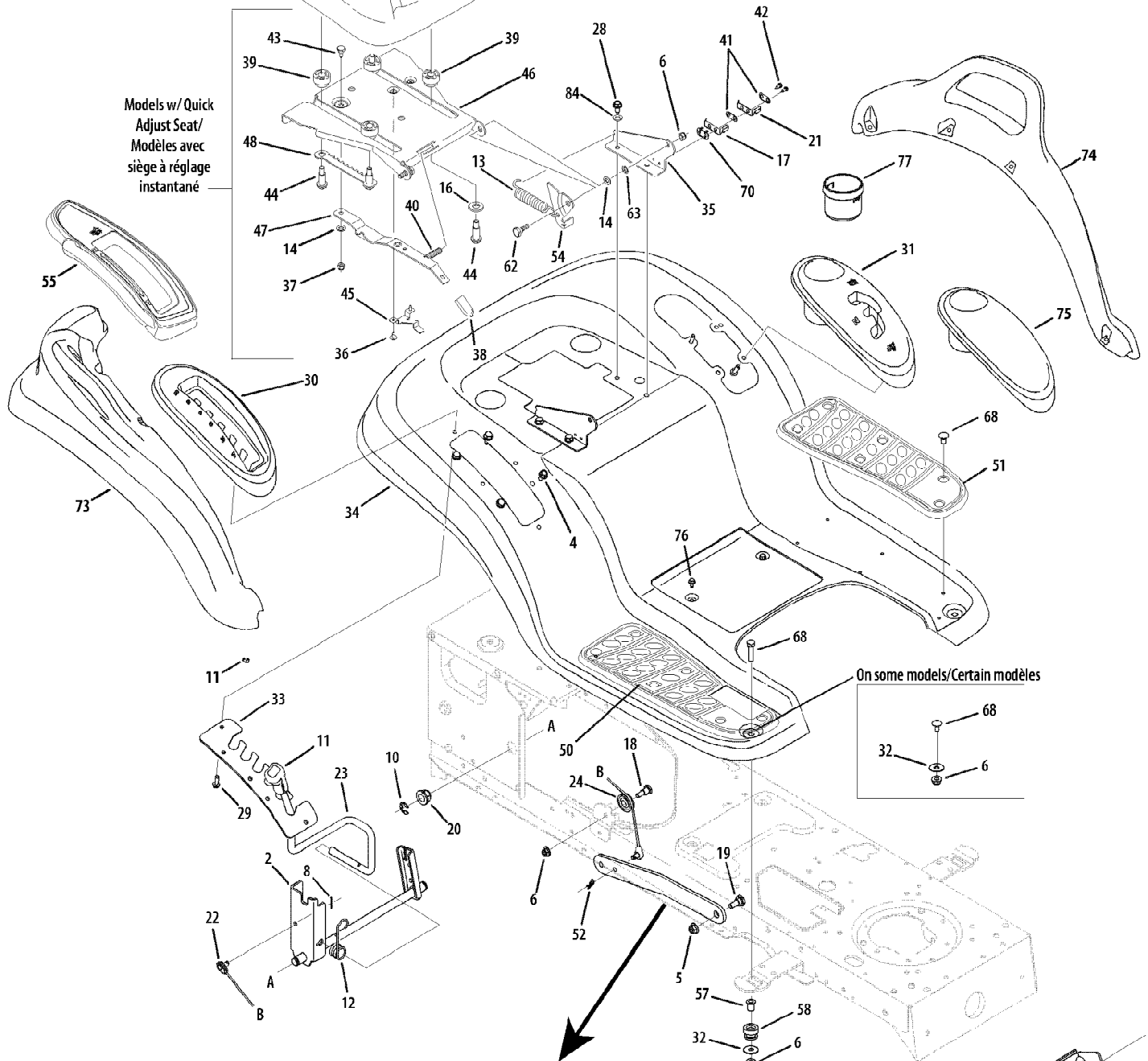
Ref #	Part Number	Qty	S/P/F	Description
	759-3336	1	/P	Spark Plug
	KH-12-050-01-S	1	/P	Oil Filter
	N/A	1		Pre Filter
	OCC-32-083-03	1	S	Air Filter SV715 engine
	OCC-20-083-02	1	S	Air Filter SV540 engine
	OCC-25-050-22	1	S	Fuel Filter SV715 engine
	KH-25-050-21-S	1	/P	Fuel Filter SV540 engine
	951-3111	1	S	Fuel cap
	918-04456	1	S	Deck Spindles 42-inch Deck
	918-0430B	1	S	Deck Spindles 46-inch Deck
	942-0616A	1	/P	Blades 42-inch Deck
	942-0611A	1	/P	Blades 46-inch Deck
	712-0417A	1	/P	Blade Nut
	954-04165	1	/P	Drive Belt
	954-0497	1	/P	PTO Belt 42-inch Deck
	954-04033	1	/P	PTO Belt Electric PTO - 46-inch
	754-04064	1		PTO Belt Manual PTO - 46-inch
	954-04045	1	/P	Deck Belt 42-inch Deck
	954-04122	1	/P	Deck Belt 46-inch Deck
	734-0973	1	/P	Deck Wheels
	921-04041	1	/P	Water Nozzle Adapter
	925-1745	1	S	Ignition Keys
	925-1741	1	/P	Ignition Switch Module
	925-04174	1	/P	PTO Switch
	917-04174A	1	/P	PTO Clutch
	931-1032B	1	/P	Discharge Chute
	731-2363	1	/P	Mulch Plug 42-inch Deck
	731-05264	1		Mulch Plug 46-inch Deck
	OEM-190-032	1	/P	42-inch Two-stage Snow Thrower Attachment
	OEM-190-116	1	/P	42-inch Deck Mulch Kit Attachment
	OEM-190-118	1		46-inch Deck Mulch Kit Attachment
	OEM-190-180	1	S	Twin Bagger Grass Collector (for 42-inch Decks) Attachment
	OEM-190-182	1	S	Twin Bagger Grass Collector (for 46-inch Decks) Attachment
	OEM-190-607	1		Deluxe Tractor Sunshade Attachment
	OEM-190-658	1	S	Tire Chains, 20 x 8 Tires Attachment
	OEM-190-679	1	/P	Grille Guard (mounts on front of tractor) Attachment
	OEM-190-833	1	/P	46-inch Front Dozer Blade Attachments
	490-900-0025	1		Deck Wash Kit

Armrest Assembly 757-04046 (not shown)/
Accoudoir 757-04046 (non illustrée)

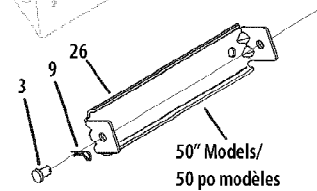
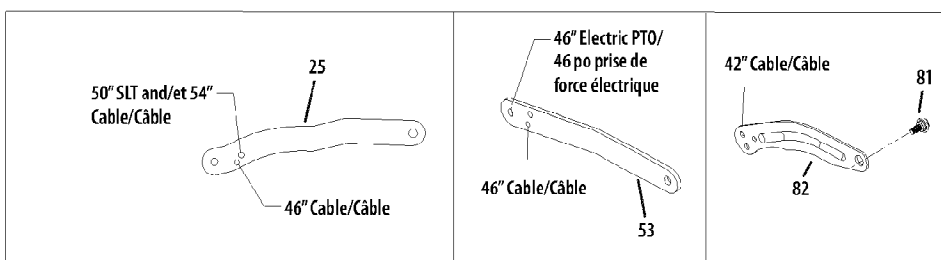
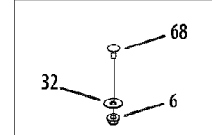
Models w/ Manually
Adjusting Seat/
Modèles avec
siège à réglage
ordinaire



Models w/ Quick
Adjust Seat/
Modèles avec
siège à réglage
instantané



On some models/Certain modèles



13AP616H597 (2008)
Seat & Fender

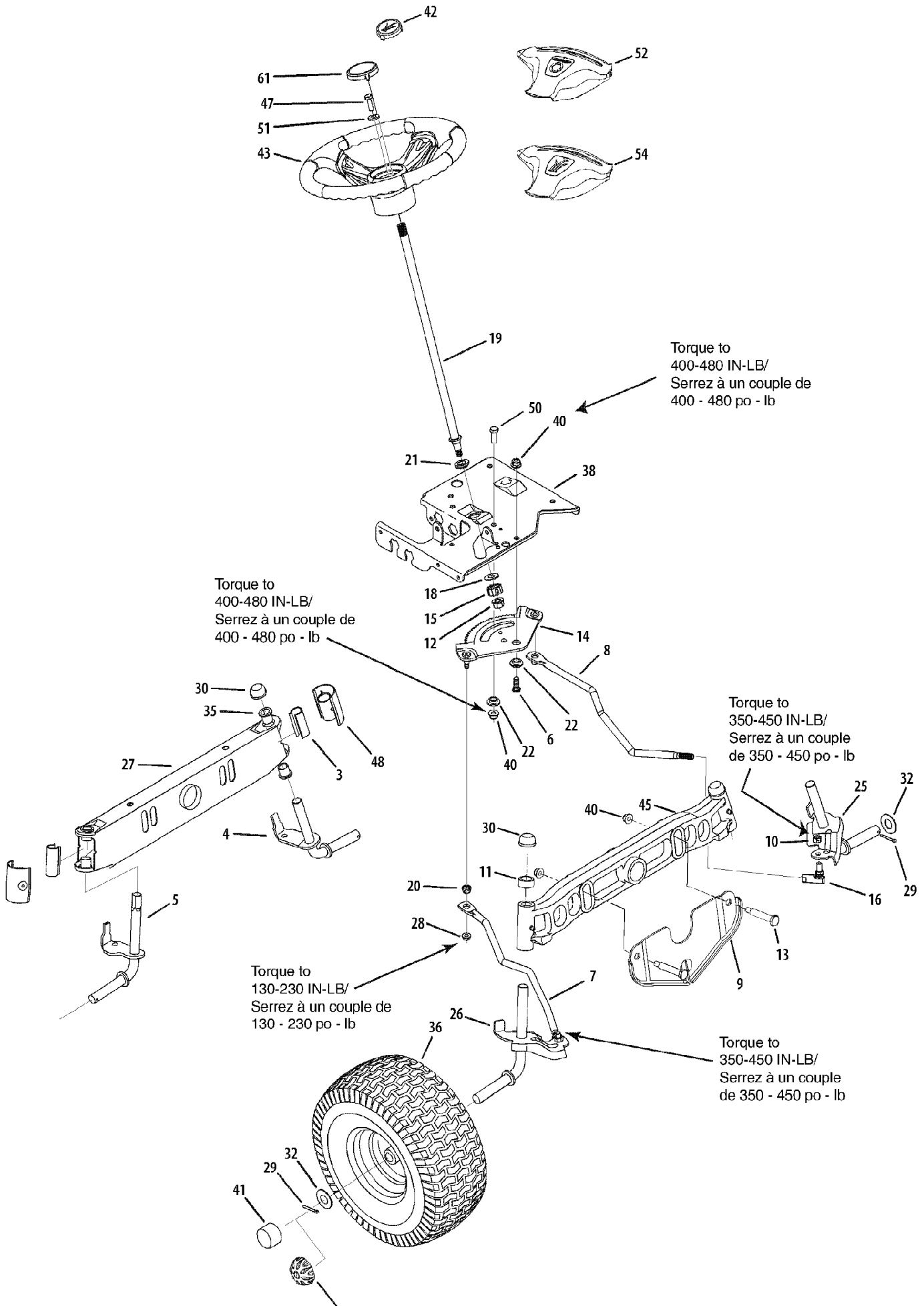
Page 22 of 26

Ref #	Part Number	Qty	S/P/F	Description
1	747-1130B	1	/P	Deck Stabilizer Rod
2	683-04223	1	S	Lift Shaft Assembly (42" and 46" Deck)
2	683-04118	1	S	Lift Shaft Assembly (54" Deck)
3	711-0332	1	S	Clevis Pin
4	710-04484	1		S-Tapp Scr 5/16-18 x .75
5	712-04065	1	/P	Hex Flange Locknut 3/8-16 Gr. F,Nylon
6	712-04063	1	/P	Hex Flange Locknut 5/16-18 Gr. F Nylon
7	712-3083	1	/P	Hex Nut, 1/2-13
8	714-0104	1	S	Int. Cotter Pin 5/16 Dia.
9	714-04023	1	S	Internal Cotter Pin .080 x 1.5625
10	716-0106A	1		E-ring
11	720-0311	1		Handle Grip
12	732-0874	1	/P	Torsion Spring
13	732-1184	1	/P	Extension Spring .84 x 4.6
14	736-0242	1	/P	Cupped Wash. .345 ID x .88 OD x .060
16	736-3019	1		Flat Washer .531 ID x 1.062 OD x .134
17	725-1439	1		Spring Switch, Inner
18	738-0138A	1	/P	Shoulder Scr. .437 Dia x .47
19	738-0380	1	S	Shoulder Screw .500 x .25 (46"/50")
20	741-0225	1	S	Hex Flange Bearing .630 ID
21	725-1303	1	S	Spring Switch, Outer
22	746-0968	1		Lift Cable, 16.16
23	747-04447	1		Lift Handle
24	756-1154	1		Roller Pulley
25	783-05546	1	S	Arm Lift (46"/54" deck w/electric PTO)
26	783-0720A	1	S	Deck Stabilizer Bracket
28	710-04484	1		S-Tapp Scr 5/16-18 x .75 (w/783-0677B)
28	710-1611B	1	/P	Screw 5/16-18 x .75 (601)
29	710-0895	1		Hex Scr. 1/4-15 x .75
30	731-1990	1		Lift Lever Cover
31	731-2104C	1	S	Shift Lever Cover w/Cup Holder
32	736-3078	1	/P	Flat Washer .344 ID x 1.0
33	783-0677B	1		Lift Adjustment Bracket
34	783-04331A	1		Fender (801)
34	783-04333A	1		Fender
35	783-1489C	1		Seal Mounting Bracket
36	710-1268	1	/P	Hex B-Tapp Wash Scr #10-16 x .375
37	712-04064	1	/P	Hex Flange Locknut 1/4-20 Gr. F Nylon
38	720-0309A	1	/P	Seat Adjuster Grip
39	731-04074	1		Spacer
40	732-0499	1		Compression Spring 1.5" Lg
41	726-0278	1		Insulator Plate
42	710-0227	1	/P	Hex Wash HD AB S-Tapp Scr #8-.50
43	738-0137A	1	S	Shoulder Screw .340 x .285: 1/4-20
44	738-0966A	1	/P	Shoulder Screw, .50 x .925, 3/8-16
45	783-0611	1		Seat Stop
46	783-0738D	1	/P	Seat Pivot Bracket
47	783-0739A	1	S	Seat Adjustment Lever
48	783-0753	1		Seat Adjustment Selector
49	757-04003A	1	/P	Seat, 15.279" High, High Back-Black
49	757-04012D	1		Seat, High Back YM Yellow
50	735-0656	1		RH Foot Pad
51	735-0657	1		LH Foot Pad

13AP616H597 (2008)
Seat & Fender

Page 23 of 26

Ref #	Part Number	Qty	S/P/F	Description
52	714-0111	1	S	Cotter Pin 3/32 dia. x 1.00 Lg.
53	783-04963A	1		Arm Lift (46" deck w/manual PTO & 50" deck)
54	783-0209D	1	/P	Seat Lift Bracket
55	731-05498A	1	/P	Lift Lever Cover (Model 60R)
56	783-04081B	1		Seat Pivot Bracket, Manually Adjusted
57	735-0190	1		Grommet
58	750-3310	1		Flg. Spacer .3125 x .4375 x .625
59	710-0870	1	/P	Hex Wash Hd Scr. 3/8-16 x .625 Gr. 5
61	726-3046	1	/P	Ratchet Clip .25 Dia.
62	738-0296	1	S	Shoulder Bolt .437 Dia. x .268
63	726-0201	1		Push Speed Nut (Quick Adjustment Only)
65	738-04012A	1	/P	Shoulder Spacer .625 x .175, 3/8-16
66	720-04061	1		Knob, 3/8-16 x .625
67	736-0300	1	S	Flat Washer .406 x .875 x .059
68	710-0451	1	/P	Carriage Bolt 5/16 x 18 x .75" Lg.
69	710-0604A	1	/P	Hex TT Scr. 5/16-18 x .875
70	726-0278	1		Insulator Plate
71	710-0932	1	/P	Carriage Bolt 1/4-20 x 1.00" Lg.
72	712-0271	1	/P	Sems Hex Nut 1/4-20
73	731-2618	1		RH Fender Flare
74	731-2619	1		LH Fender Flare
75	731-1993A	1		Cover w/Cup Holder
76	710-0599	1	/P	Hex Wash S-Tapp Scr 1/4-20 x .50
77	731-04591	1	S	Cup Holder, Style 7
78	712-0206	1	S	Hex Nut 1/2-13
79	736-3084	1	/P	Flat Washer .510 x 1.12 x .06
80	738-1011A	1	/P	Shoulder Screw .50 x 2.230:3/8-16
81	738-04130	1		Shoulder Screw .625 x .175: 3/8-16
82	783-04494B	1		Deck Lift Arm RH (42" Deck)
82	783-04711B	1	/P	Deck Lift Arm LH (Not Shown)
84	736-0607	1	/P	Ext. Lockwasher 5/16 ID



13AP616H597 (2008)
Steering

Page 25 of 26

Ref #	Part Number	Qty	S/P/F	Description
1	683-04173B	1		Lower Frame Assembly
3	731-04057A	1		Axle End Cap - Std.
4	638-04006	1	S	LH Axle Assembly, .750 Dia. 42" Deck
5	638-04005	1	S	RH Axle Assembly, 750 Dia. 42" Deck
6	710-04095	1		Hex Cap Screw 3/8-16 x 1.00 Gr. 5 Spec.
7	711-1408	1		RH Drag Link
8	711-1409A	1	/P	LH Drag Link
9	783-04568	1		Fr. Deck Hanger Brkt. (Style 6 w/46" deck)
10	712-0214	1	S	Hex Cent. L-Nut 3/8-24
11	748-04068	1		Spacer .71 ID x .125 OD x .56" Lg.
12	712-0459	1	/P	Flange Lock Nut, 7/16-20
13	738-04128	1		Shoulder Bolt .50 x 2.38: 3/8-16
14	717-1550E	1	S	Steering Gear, 11/90 Ratio
15	717-1554	1		Steering Pinion Gear
16	723-0448A	1	S	Ball Joint, 7/16 - 20
18	736-3084	1	/P	Fl. Washer .510 x 1.120 x .060
19	738-04263	1		Steering Shaft, .625 OD x 24.25
20	741-0475	1	S	Plastic Bushing .380 ID
21	741-04237	1		Hex Flange Bearing, 5/8
22	738-04154	1		Shoulder Spacer
25	638-04003A	1	S	LH Axle Assembly, .750 Dia.
26	638-04004A	1	S	RH Axle Assembly, .750 Dia.
27	683-0128B	1	/P	Pivot Bar
28	712-3004A	1	/P	Hex Flange L-Nut 5/16-18 Gr. 5
29	714-04039	1		Cotter Pin 5/32" Dia. x 1.25
29	714-0162	1	/P	Cotter Pin 5/32" Dia. x 1.25
30	726-0341	1	/P	Push Cap, .750
32	736-0316	1	S	Flat Washer .780 ID X 1.56 OD
32	736-04228A	1		Flat Washer .781 ID x 1.90 OD
34	738-1011A	1	/P	Shoulder Screw, .5 x 2.2, 3/8-16
35	741-0660A	1	/P	Flange Bearing .760 ID x .937 OD
36	634-04086	1		Wheel Assembly, 15 x 6 x 6 Plastic Bushing
36	734-1731	1		Tire Only Not shown
36	634-04081	1	S	Rim Only Plastic Bushing, Not shown
36	741-0516B	1	/P	Bearing, Flange Plastic Bushing, Not shown
36	741-0990B	1	/P	Bearing, Flange w/Fitting Plastic Bushing, Not shown
36	634-04199	1		Wheel Assembly, 15 x 6 x 6 Ball Bearing
36	734-1731	1		Tire Only Not shown
36	634-04091A	1		Rim Only Ball Bearing, Not shown
36	741-04137	1	S	Bearing, Flange Ball Bearing, Not shown
36	737-0224	1		Lube Fitting Not shown
36	734-0255	1	S	Valve Not shown
37	731-2290A	1	/P	Hub Cap
38	783-0653G	1		Steering Support Bracket
39	738-0143	1	/P	Shld. Scr. .500 Dia. X .335" Lg.
40	712-04065	1	/P	Hex Flange L-Nut 3/8-16 Gr. F
41	731-05674	1		Cap
42	731-04040	1		Steering Wheel Cap - Small w/logo
43	631-04028	1		Steering Wheel - 3 Spokes Std. Grip
43	631-04008A	1	/P	Steering Wheel - 3 Spokes Soft Grip
44	731-0484A	1	S	Plastic Hub Cap

13AP616H597 (2008)
Steering

Page 26 of 26

Ref #	Part Number	Qty	S/P/F	Description
45	719-04177A	1		Cast Iron Pivot Bar (.750 dia.)
45	737-3000	1	S	Fitting, Lube, 3/16 Drive Type Not shown
45	737-0475	1	/P	Fitting, Lube, M6 Threaded Type Not shown
47	710-0643	1	/P	Hex Screw 5/16-18 X 1.00 Special
48	731-1291A	1	S	Pivot Bar End Cap
50	710-0514	1	/P	Hex Screw 3/16 x 1.00
51	736-3004	1	S	Flat Washer .406 ID x .875 OD x .105
52	731-04066A	1	/P	Steering Wheel Cover - Troy Bilt
53	710-1260A	1	/P	Hex Wash HD AB Tap Scr 5/16-12 x .75
54	731-04065A	1		Steering Wheel Cover - MTD
56	731-2625	1		Steering Wheel Cap
57	731-2624	1		Steering Wheel - Soft Grip
61	731-04039	1		Steering Wheel Cap - Small w/o logo