

12AV569Q897 (2010)
Deck & Drive Assembly

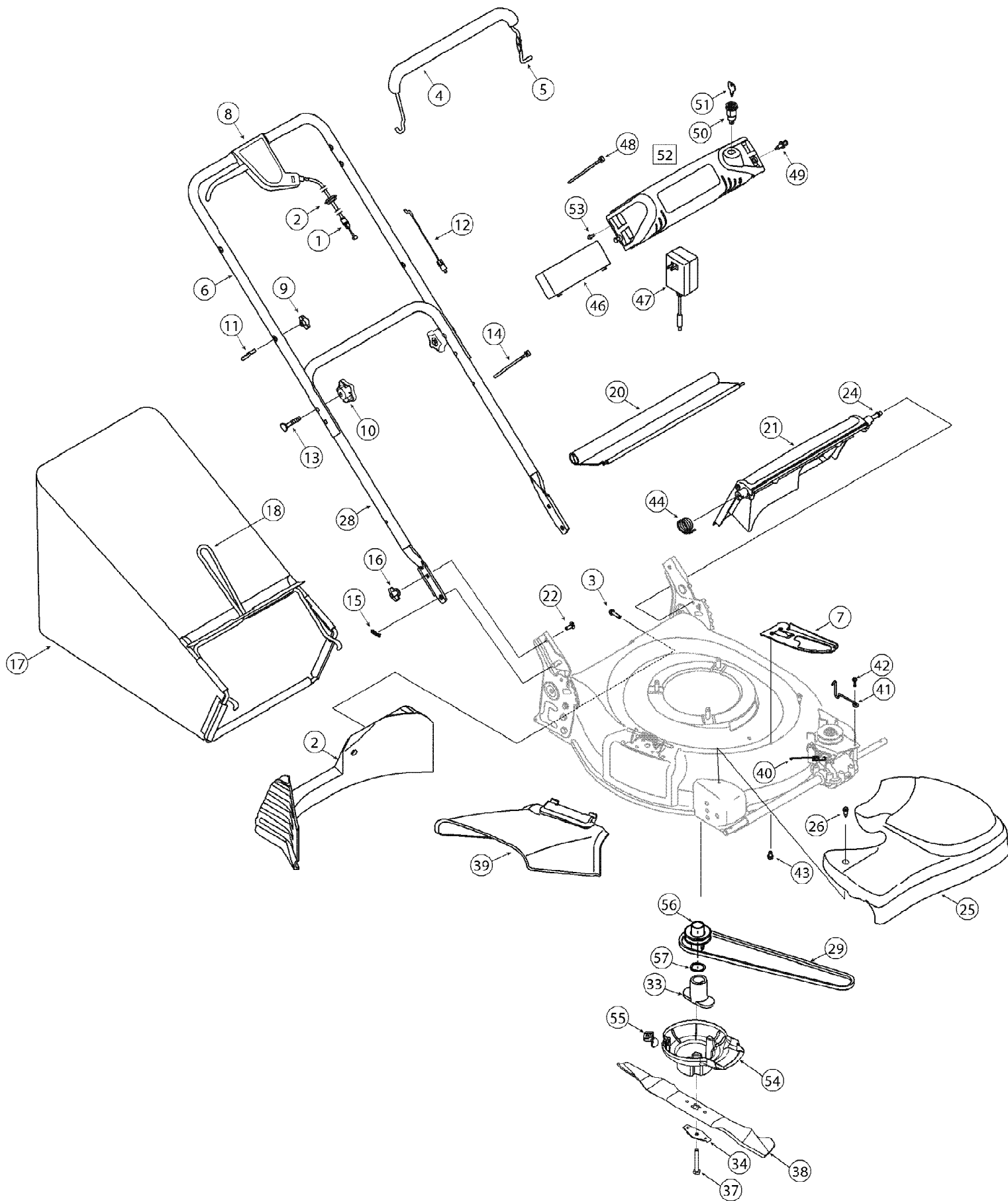
Page 2 of 7

Ref #	Part Number	Qty	S/P/F	Description
1	712-04063	1	/P	Flanged Lock Nut 5/16-18 Gr. F Nylon
3	N/A	1		Pulley 2.5 OD Order Ref 35
4	710-04329	1		Torx Screw
5	N/A	1		Transmission Bracket Order Ref 35
6	726-04043	1		Push Nut
7	736-04178A	1		Slotted Washer
8	731-05187	1		Clutch Lever
9	721-04110	1		O-ring
10	N/A	1		Upper Housing Order Ref 35
11	721-04107	1	S	Oil Seal
12	741-04116	1		Ball Bearing
13	710-04374	1		Hex Screw
14	N/A	1		Pinion Shaft Order Ref 35
15	N/A	1		Dowel Pin Order Ref 35
16	715-0129	1		Spirol Pin
17	707-04409B	1		Shifter Fork
18	N/A	1		Output Shaft Order Ref 35
19	936-0272	1	/P	Flat Washer
20	736-04224	1		Flat Washer
21	641-00000	1		Plastic Bushing
22	N/A	1		Lower Housing Ass'y Order Ref 35
23	N/A	1		28 Tooth Gear Order Ref 35
24	732-04290	1		Compression Spring
25	750-04405	1		Sleeve Spacer 1.8" Lg.
26	750-04404	1		Sleeve Spacer 9.10" Lg.
27	710-1008	1		Hex Wash TT Sems Scr 3/8-16 x 1.875
28	787-01278-0606	1		21" Deck
29	710-0599	1	/P	Hex Wash S-Tapp Scr 1/4-20 x .50
30	736-0270	1	/P	Cupped Washer .265 ID x .75 OD x .062
31	987-02055	1	/P	Complete Mulch Plug
32	17032A	1	/P	Chute Hinge
33	732-1014	1		Torsion Spring
34	747-0710	1	S	Hinge Pin
35	918-04377A	1	S	Transmission Ass'y Complete
36	987-02194A	1	/P	RH Height Adjustment Assembly
36	987-02193A	1	/P	LH Height Adjustment Assembly
37	787-01298A-0637	1	/P	Height Adjuster Plate - RH
37	787-01299A-0637	1	/P	Height Adjuster Plate - LH
38	687-02344	1		Height Adjuster Pivot Plate Ass'y
39	732-0706	1		Spring Lever Front RH
39	732-0707	1		Spring Lever Front LH
40	782-5002B	1	/P	Front Baffle
41	712-04065	1	/P	Hex L-FlangeNut 3/8-16 Gr. F, Nylon
42	734-2042A	1	/P	Wheel Ass'y 8 x 2.125 Gear Zag
43	734-04093	1		Wheel Ass'y 12 x 2.125 Gear Zag
44	710-04531	1		Pan Scr. 1/4-20 x .390
45	717-1762	1		Spur Gear 14T RH
45	717-1761	1		Spur Gear 14T LH
46	915-0221	1	/P	Pin
47	782-7551A	1	/P	Wheel Dust Cap
48	916-0102	1	/P	Snap Ring for 1.0" shaft
49	736-0474	1		Flat Washer 1.5 OD x .03
50	710-0216	1		Hex Wash TT Sems Scr 3/8-16 x .75

12AV569Q897 (2010)
Deck & Drive Assembly

Page 3 of 7

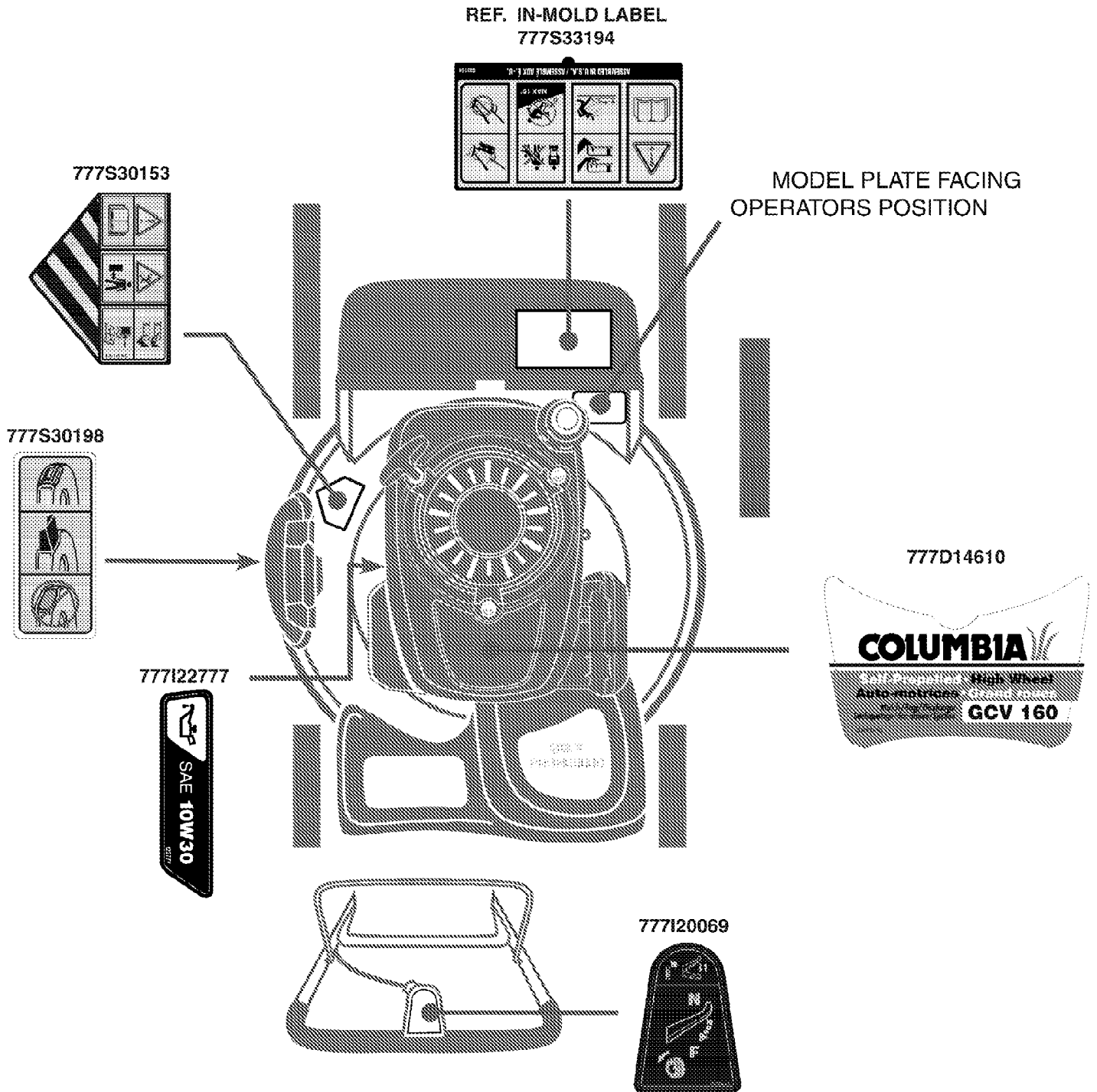
Ref #	Part Number	Qty	S/P/F	Description
51	936-0447	1	/P	Wave Washer
52	987-02347	1	/P	Bearing Support
53	741-0604A	1	/P	Bearing Sleeve
54	732-0708	1		Bearing Retainer
55	720-0426	1	/P	Height Adjuster Knob
56	710-1652	1	/P	Hex Wash Hd TT Scr. 1/4-20 x .625
57	738-04266	1		Shoulder Screw .50 Dia. X .385
58	987-02335	1	/P	Pivot Arm Assembly - RH
58	987-02336	1	/P	Pivot Arm Assembly - LH
59	732-0866	1		Rear Spring Lever
60	720-0312	1		Foam Grip
61	N/A	1		RH Handle Bracket Furnish ref 62
61	N/A	1		LH Handle Bracket Furnish ref 62
62	987-02280A	1	/P	LH Handle Bracket Assembly
62	987-02279A	1	/P	RH Handle Bracket Assembly
63	928-0173	1	/P	Rivet
64	736-0182	1	/P	Spring Washer .50 ID x 1.0 OD x .022
65	731-07001	1		Hub Cap Grey Radial



12AV569Q897 (2010)
General Assembly

Page 5 of 7

Ref #	Part Number	Qty	S/P/F	Description
1	946-04206A	1	/P	Drive Cable
2	731-04150C	1	/P	Rear Baffle 21" Rear Discharge
3	710-1241	1		Hex Lock Screw 1/4-15 x 1.0
4	731-04859	1		Bail Cover - Grey
5	747-1161A-0637	1	/P	Blade Control Handle
6	749-04206B-0637	1	/P	Upper Handle
7	787-01258A-0637	1	/P	Cable Mounting Bracket
8	753-06060	1	/P	Control Lever Ass'y
9	720-0279	1	/P	Knob
10	720-04072A	1	/P	Knob - Star 5/16-18
11	710-1205	1	/P	Rope Guide Bolt
12	946-0957	1	/P	Control Cable 37.25" Lg.
13	710-1174	1	/P	Carriage Bolt 5/16-18 x 2.0
14	926-0240	1	/P	Cable Tie
15	914-0104	1	/P	Int. Cotter Pin .072 x 1.13" Lg.
16	912-0397	1	/P	Wing Nut
17	964-04007A	1	/P	Grass Bag -Generic
18	747-04080A-0637	1	/P	Grass Bag Frame
20	731-05642	1	S	Trail Shield
21	731-06885	1		Rear Discharge Door
22	710-0703	1	/P	Carriage Bolt 1/4-10 x .75
24	747-04588	1		Pivot Rod (w/12" rear wheels)
25	931-05013A	1	/P	Trans. Cover (Oyster Grey)
26	710-1650	1	/P	Shoulder Screw #12-24
28	749-0928A-0637	1	/P	Lower Handle
29	954-04082A	1	/P	V-Belt
30	956-04161	1	/P	Upper Pulley Half 25mm x 2.62
31	956-04160	1	/P	Lower Pulley Half 25mm x 2.62
32	750-04818	1		Sleeve Spacer 25 mm ID x 1.375 x .375
33	748-04082	1	/P	Blade Adapter
34	736-0524B	1	/P	Blade Bell Support
35	936-0447	1	/P	Space Washer
36	736-0277	1		Flat Washer
37	710-1257	1	/P	Hex Bolt 3/8-24 x 2.5" Lg.
38	942-0741	1	/P	21" Mulching Blade
39	731-04177	1	/P	Chute Deflector
40	732-04317	1	/P	Extension Spring
41	732-04294	1		Belt Keeper Wire
42	710-04329	1		Torx Screw
43	710-0896	1	/P	Screw 1/4-14 x 0.625
44	732-04090A	1		Torsion Spring RH
46	925-04323	1	/P	12V Battery
47	725-04329	1		Battery Charger
48	725-0240	1		Cable Tie
49	728-0199	1		Rivet
50	925-04347	1	/P	Key Switch
51	925-0201	1	/P	Key
52	925-04072	1	/P	Electric Starter Harness Ass'y
53	710-1667A	1	/P	Screw, #10-16 x .750
54	753-06116	1	/P	Engine Baffle
55	787-01593	1		Bracket
56	656-04045	1		Drive Pulley Ass'y
57	736-04389	1		Washer 1.35 x 1.05 x 0.015



12AV569Q897 (2010)
Label Map

Page 7 of 7

Ref #	Part Number	Qty	S/P/F	Description
777S30153	777S30153	1		LABEL-DANGER CHUTE
777S30198	777S30198	1		LABEL:MOWER
777I22777	777I22777	1		LABEL-10W30 ENG SHROUD
777I20069	777I20069	1		LABEL-EXP.PICT.SELF PROP MECH
777D14610	777D14610	1		LABEL-PMWR:CLMBIA CA HIWL GCV160
777S33194	N/A	1		LABEL-MWR:IN MLD:BG DR:AUSA:CDN Mold In Graphic