

12AV569Q597 (2008)
Drive Assembly

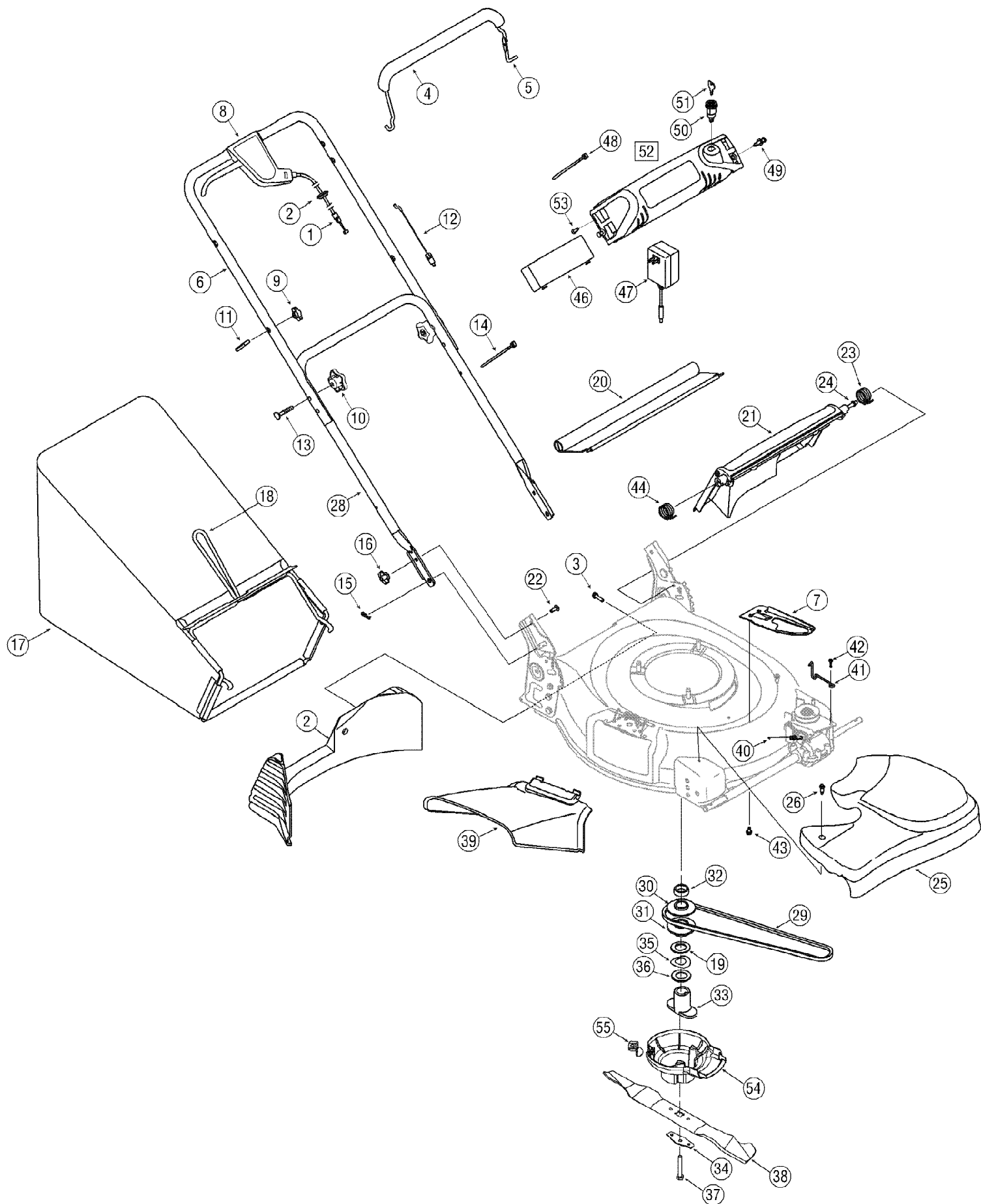
Page 2 of 10

Ref #	Part Number	Qty	S/P/F	Description
1	712-0214	1	S	Hex L-Nut 3/8-24
2	736-0105	1	/P	Cupped Washer
3	756-04132	1		Pulley, 3.82 x .313 x .68
4	710-04329	1		Torx Screw
5	N/A	1		Transmission Bracket
6	726-04043	1		Push Nut
7	736-04178A	1		Slotted Washer
8	731-05187	1		Clutch Lever
9	721-04110	1		O-ring
10	N/A	1		Upper Housing
11	721-04107	1	S	Oil Seal
12	741-04116	1		Ball Bearing
13	710-04374	1		Hex Screw
14	711-04317	1	S	Pinion Shaft
15	715-04030	1		Dowel Pin
16	715-0129	1		Spirol Pin
17	707-04409A	1		Shifter Fork
18	711-04429	1		Output Shaft
19	736-0572	1	S	Flat Washer
20	736-04224	1		Flat Washer
21	741-04106	1		Plastic Bushing
22	731-04883	1		Lower Housing Ass'y
23	717-04194	1		28 Tooth Gear
24	732-04290	1		Compression Spring
25	750-04405	1		Sleeve Spacer 1.8" Lg.
26	750-04404	1		Sleeve Spacer 9.10" Lg.
27	710-1008	1		Hex Wash TT Sems Scr 3/8-16 x 1.875
28	787-01278	1	/P	21" Deck
28	787-01537	1	S	21" Stainless Steel Deck (w/o side discharge)
29	710-0599	1	/P	Hex Wash S-Tapp Scr 1/4-20 x .50
30	736-0270	1	/P	Cupped Washer .265 ID x .75 OD x .062
31	687-02055	1	S	Complete Mulch Plug
32	17032A	1	/P	Chute Hinge
33	732-1014	1		Torsion Spring
34	747-0710	1	S	Hinge Pin
35	618-04377A	1	S	Transmission Ass'y Complete
36	687-02194A	1	S	RH Height Adjustment Assembly
36	687-02193A	1	S	LH Height Adjustment Assembly
37	787-01298	1	S	Height Adjuster Plate - RH
37	787-01299	1		Height Adjuster Plate - LH
38	687-02344	1		Height Adjuster Pivot Plate Ass'y
39	732-0706	1		Spring Lever Front RH
39	732-0707	1		Spring Lever Front LH
40	782-5002B	1	/P	Front Baffle
41	712-04065	1	/P	Hex L-FlangeNut 3/8-16 Gr. F, Nylon
42	734-2042	1	S	Wheel Ass'y 8 x 2.125 Gear Zag
42	734-04018A	1	S	Wheel Ass'y 8 x 2.125 Gear S-Wave
43	734-04093	1		Wheel Ass'y 12 x 2.125 Gear Zag
43	734-04019	1		Wheel Ass'y 12 x 2.125 Gear S-Wave
44	710-04531	1		Pan Scr. 1/4-20 x .390
45	717-1762	1		Spur Gear 14T RH
45	717-1761	1		Spur Gear 14T LH
46	715-0221	1		

12AV569Q597 (2008)
Drive Assembly

Page 3 of 10

Ref #	Part Number	Qty	S/P/F	Description
47	782-7551A	1	/P	Wheel Dust Cap
48	716-0102	1	S	Snap Ring for 1.0" shaft
49	736-0474	1		Flat Washer 1.5 OD x .03
50	710-0216	1	/P	Hex Cap Screw 3/8-16 x .75
51	736-0447	1	S	Wave Washer
52	N/A	1		Bearing Support
53	741-0604A	1	/P	Bearing Sleeve
54	732-0708	1		Bearing Retainer
55	720-0426	1	/P	Height Adjuster Knob
56	710-1652	1	/P	Hex Wash Hd TT Scr. 1/4-20 x .625
57	738-04266	1		Shoulder Screw .50 Dia. X .385
58	687-02335	1	S	Pivot Arm Assembly - RH
58	687-02336	1	S	Pivot Arm Assembly - LH
59	732-0866	1		Rear Spring Lever
60	720-0312	1		Foam Grip
61	N/A	1		RH Handle Bracket
61	N/A	1		LH Handle Bracket
62	687-02280A	1	S	LH Handle Bracket Assembly
62	687-02279A	1	S	RH Handle Bracket Assembly
63	728-0173	1	S	Rivet
64	736-0182	1	/P	Spring Washer .50 ID x 1.0 OD x .022
65	731-1426A	1	S	Hub Cap - Yellow
65	731-0981A	1	S	Hub Cap Grey Radial
66	782-5003A	1	/P	LH Rear Baffle w/stainless steel decks
67	710-1017	1	/P	Screw AB 1/4-14 x 0.625 w/stainless steel decks
68	782-5004B	1	/P	RH Rear Baffle w/stainless steel decks
69	631-0075B	1	/P	Engine Spacer
70	787-01550	1		Belt Keeper Bracket w/stainless steel decks
71	736-0931	1	/P	Flat Washer w/stainless steel decks
72	787-01570	1	S	Belt Keeper Bracket w/stainless steel decks



12AV569Q597 (2008)
General Assembly

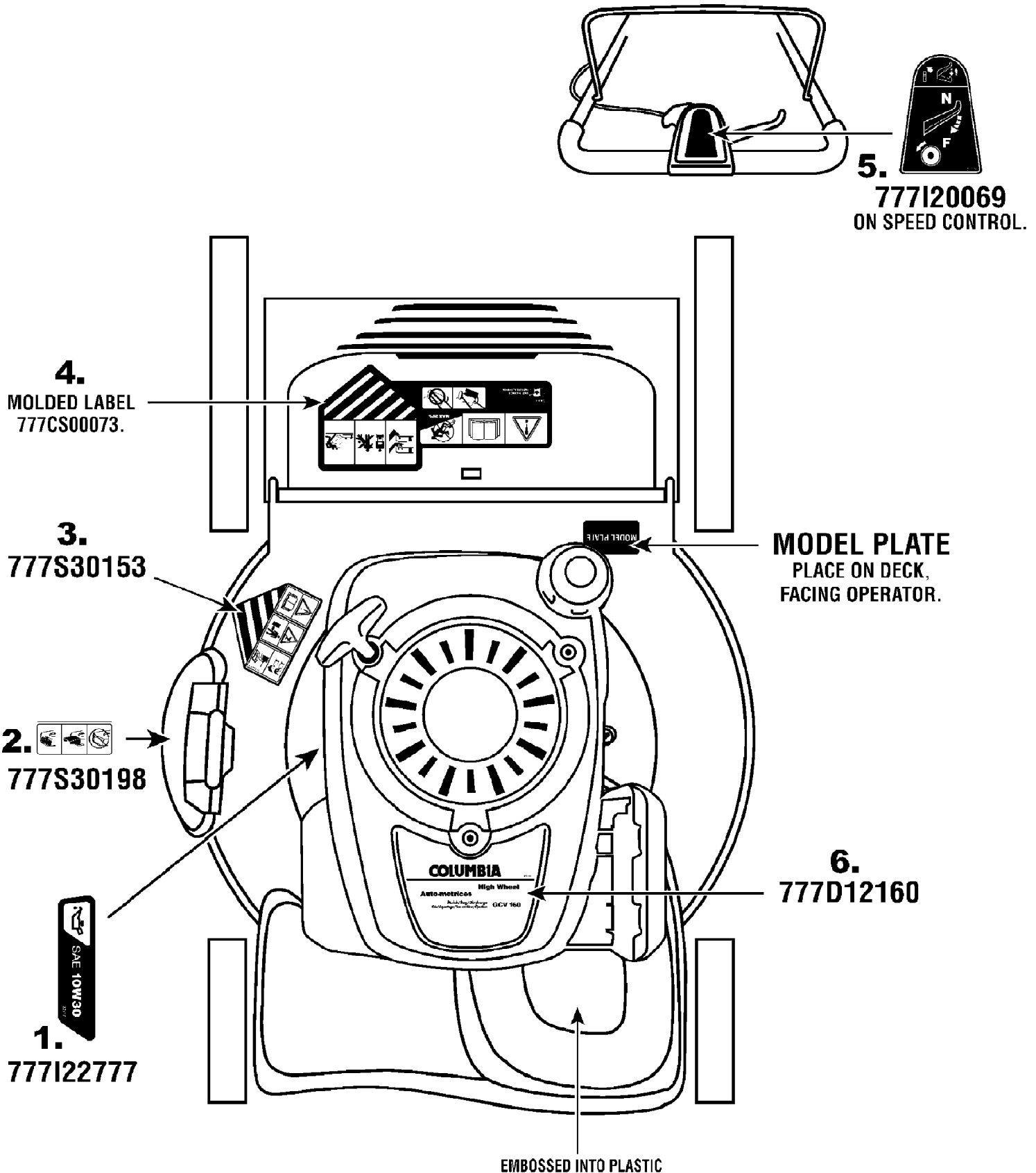
Page 5 of 10

Ref #	Part Number	Qty	S/P/F	Description
1	746-04206A	1	S	Drive Cable
2	731-04150C	1	/P	Rear Baffle 21" Rear Discharge
3	710-1241	1		Hex Lock Screw 1/4-15 x 1.0
4	731-2626	1		Bail Cover - Black
4	731-04204	1		Bail Cover - Red
5	747-1161A	1	S	Blade Control Handle
6	749-04209B	1	S	Upper Handle
7	787-01258A	1	S	Cable Mounting Bracket
8	753-0833	1	/P	Control Lever Ass'y
9	720-0279	1	/P	Knob
10	720-04072	1	S	Knob - Star 5/16-18
11	710-1205	1	/P	Rope Guide Bolt
12	746-0957	1	S	Control Cable 37.25" Lg.
13	710-1174	1	/P	Carriage Bolt 5/16-18 x 2.0
14	726-0240	1	S	Cable Tie
15	714-0104	1	S	Int. Cotter Pin .072 x 1.13" Lg.
16	712-0397	1	S	Wing Nut
17	664-04007A	1	S	Grass Bag -Generic
18	747-04080A	1	S	Grass Bag Frame
19	736-0277	1		Flat Washer
19	750-04818	1		Sleeve Spacer 25 mm x 1.275 x .375
20	731-05642	1	S	Trail Shield
21	731-05866	1		Rear Discharge Door
22	710-0703	1	/P	Carriage Bolt 1/4-10 x .75
23	732-04089A	1		Torsion Spring LH
24	747-04588	1		Pivot Rod
25	731-05250	1	S	Transmission Cover (Grey)
25	731-05013A	1	S	Transmission Cover (Black)
26	710-1650	1	/P	Shoulder Screw #12-24
28	749-0928A	1	S	Lower Handle
29	754-0637A	1	S	V-Belt
30	756-04161	1	S	Upper Pulley Half 25mm x 2.62
31	756-04160	1	S	Lower Pulley Half 25mm x 2.62
32	750-04438A	1	/P	Sleeve Spacer 25 mm ID x 1.375 x .620 w/stainless steel decks
32	750-04818	1		Sleeve Spacer 25 mm ID x 1.375 x .375 w/painted steel decks
33	748-04082	1	/P	Blade Adapter
34	736-0524B	1	/P	Blade Bell Support
35	736-0447	1	S	Space Washer
36	736-0277	1		Flat Washer
37	710-1257	1	/P	Hex Bolt 3/8-24 x 2.5" Lg.
38	742-0741	1	S	21" Mulching Blade
39	731-04177	1	/P	Chute Deflector
40	732-04317	1	/P	Extension Spring
41	732-04294	1		Belt Keeper Wire
42	710-04329	1		Torx Screw
43	710-0896	1	/P	Screw 1/4-14 x 0.625
44	732-04090A	1		Torsion Spring RH
46	725-04323	1	S	12V Battery Models w/electric start only
47	725-04329	1		Battery Charger Models w/electric start only
48	725-0240	1		Battery Charger Models w/electric start only

12AV569Q597 (2008)
General Assembly

Page 6 of 10

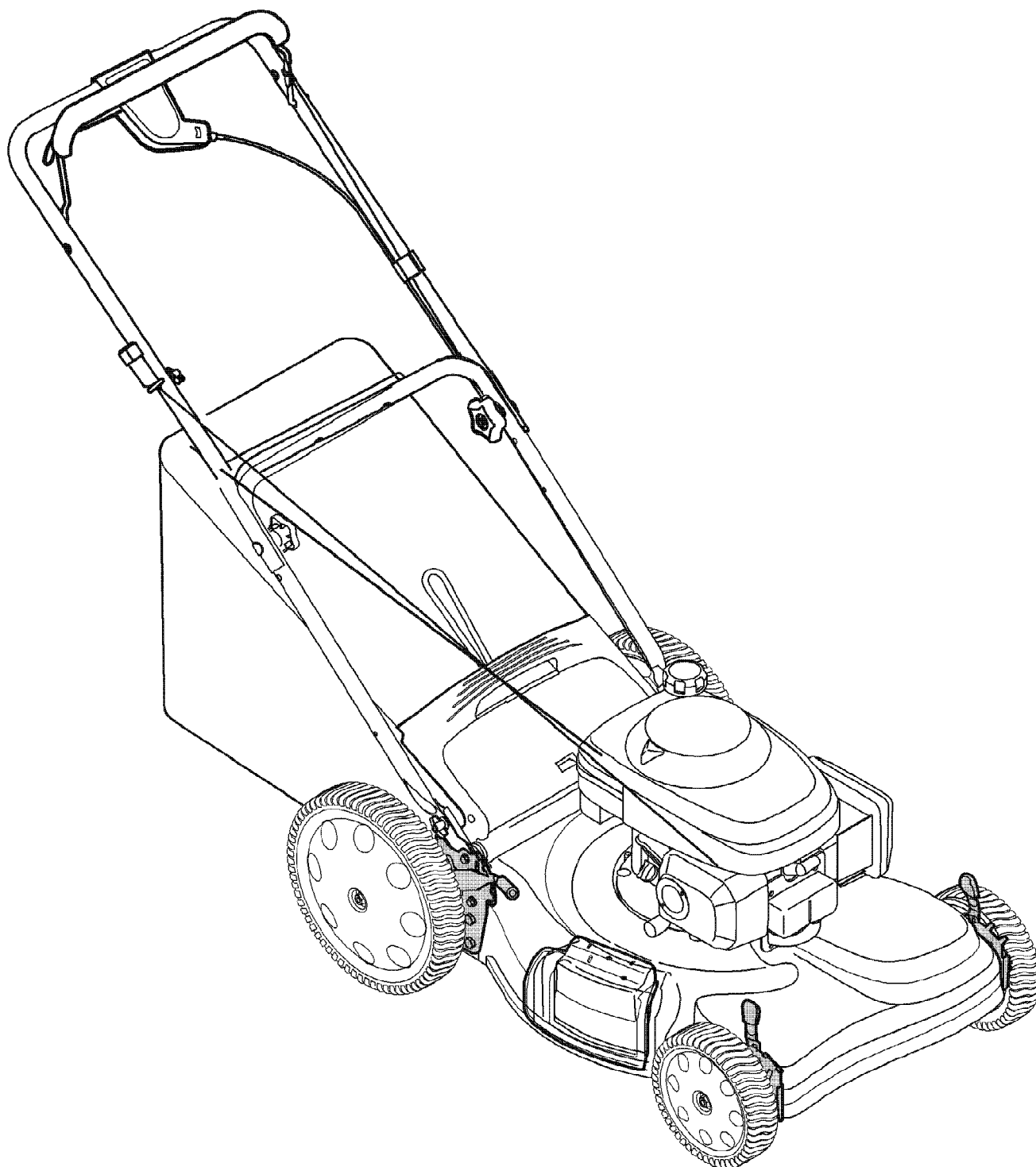
Ref #	Part Number	Qty	S/P/F	Description
49	728-0199	1		Rivet Models w/electric start only
50	725-04347	1	S	Key Switch Models w/electric start only
51	725-0201	1	S	Key Models w/electric start only
52	625-04029	1	S	Electric Starter Harness Ass'y Models w/electric start only
53	710-1667A	1	/P	Screw, #10-16 x .750 Models w/electric start only
54	731-06029	1	S	Engine Baffle
55	787-01593	1		Bracket



12AV569Q597 (2008)
Label Map

Page 8 of 10

Ref #	Part Number	Qty	S/P/F	Description
1	777I22777	1		LABEL-10W30
2	777S30198	1		LABEL:MOWER
3	777S30153	1		LABEL-DANGER CHUTE
4	N/A	1		LABEL:MOWER:DISCHRG DOOR SAFETY
5	777I20069	1		LBL.EXP.PICT.SELF PROP MECH
6	777D12160	1		LABEL-ENG SHROUD



12AV569Q597 (2008)
Quick Reference

Page 10 of 10

Ref #	Part Number	Qty	S/P/F	Description
	490-250-0009	1		Spark Plug
	N/A	1		Pre Filter
	17211-ZL8-023	1		Air Filter
	N/A	1		Fuel Filter
	746-0957	1	S	Control Cable
	746-04206A	1	S	Drive Cable
	754-0637A	1	S	Dive Belt
	748-04082A	1		Blade Adaptor
	742-0741	1	S	Blade
	736-0524B	1	/P	Blade Bell Support
	710-1257	1	/P	Blade Bolt
	734-2042	1	S	Wheels, Zag (Front)
	734-04018A	1	S	Wheels, S Wave (Front)
	734-04093	1		Wheels, Zag (Rear)
	734-04019	1		Wheels, S Wave (Rear)
	731-01426A	1		Hub Cap, Yellow
	731-0981A	1	S	Hub Cap, Grey
	731-05642	1	S	Trailshield
	731-04177	1	/P	Discharge Chute
	687-02055	1	S	Mulch Plug
	664-04007A	1	S	Grass Bag
	747-04080A	1	S	Grass Bag Frame
	725-0201	1	S	Key
	725-04347	1	S	Key Switch
	725-04323	1	S	Battery
	725-04329	1		Battery Charger