

12A-998Q597 (2008)  
Drive Assembly 998Q

Page 2 of 13

Ref #	Part Number	Qty	S/P/F	Description
1	638-0012	1	S	Axle Ass'y 20T x 21.46" Lg.
2	682-7526	1	S	Trans Axle Ass'y
3	682-7528	1	S	Chain Cover Ass'y
4	710-0604A	1	/P	Hex Wash HD Scr 5/16-18 x .62
5	710-0653	1	/P	Hex Wash HD Tapp Scr 1/4-20 x .38
6	710-0751	1	/P	Hex Bolt 1/4-20 x .62
7	710-1652	1	/P	Hex Wash Hd. Scr 1/4-20 x .625" Lg
8	710-1315	1	/P	TT Screw 3/8-16 x 1.25
9	711-0835	1	S	Clevis Pin .5" Dia. x 4.62" Lg.
10	713-0453	1	S	Chain, No. 48 Endless .50 x 24 links
11	714-0474	1	S	Cotter Pin
12	720-0223	1		Grip
13	732-0803A	1	/P	Spring Lever
14	732-0832	1		RH Torsion Spring
15	736-0270	1	/P	Cupped Wash. .25 ID x .88 OD x .062
16	736-0369	1	S	Washer, Flat .505 ID x 1.0
17	738-0529	1	S	Shoulder Nut .625 DIA. x .165
18	741-0324A	1	/P	Flange Bearing .506 ID
19	741-0522	1	S	Hex Flange Bearing
20	741-0978	1		Hex Sleeve Bearing .504 x .830 Lg.
21	748-0318	1	S	Ratchet Wheel
22	750-0151	1	S	Spacer .55 ID x .75
23	750-0515	1		Sleeve .511 ID x .70 OD x .37" LG.
24	750-0807	1		Spacer .38 x .625" Lg.
25	750-1056	1	S	Shoulder Spacer .385 ID x .715" Lg.
26	782-0566B	1	S	Pivot Axle Arm
27	782-0568	1	S	Spring Bracket
28	710-0654A	1	/P	Hex Wash HD Tap Scr 3/8-16 x .88
31	682-3052	1		Handle Brkt. Ass'y RH
32	682-3053	1		Handle Brkt. Ass'y LH
33	710-1348	1	/P	Screw AB 1/4-20
34	725-0157	1	/P	Cable Tie
35	731-1901A	1	/P	Rear Flap 17.25" Lg.
36	732-0842	1		Rear Flap Wire
37	10622B	1	S	Spring Nylon
38	16855	1		Pawl Plate
39	712-0414	1	S	Toplock Flat Weldnut 1/4-20
40	738-0137A	1	S	Shoulder Screw .340 x .285: 1/4-20
41	748-0188B	1	S	Pawl LH (Not Shown)
41	748-0381	1		Pawl RH
42	710-0134	1	/P	Carriage Bolt 1/4-20 x .62
43	710-0703	1	/P	Carriage Bolt 1/4-10 x .75
44	712-0397	1	S	Wing Nut
45	726-0233	1	/P	Bolt Retainer 1/4" x .50" OD
46	731-1832	1		Side Chute
47	731-1833A	1	S	Mulching Baffle
49	782-0046B	1	/P	Deck Ass'y 21" (w/logo)
49	782-0078B	1	/P	Deck Ass'y 21" (w/o logo)
50	618-0263A	1	S	Transmission Ass'y
51	746-0711B	1	S	SP Cable 51.0" Lg.
52	754-0460	1	S	V-Belt 3/8 x 39.24" Lg.
54	682-9020A	1	/P	RH Caster Ass'y
55	682-9021A	1	/P	LH Caster Ass'y

12A-998Q597 (2008)  
Drive Assembly 998Q

Page 3 of 13

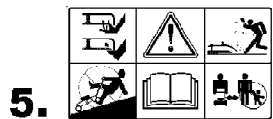
Ref #	Part Number	Qty	S/P/F	Description
56	682-9026	1		Wheel Caster Brkt Ass'y LH
57	710-0260A	1	/P	Carriage Bolt 5/16 x 18 x .62" Lg.
58	711-1146	1	S	Caster Axle
59	712-0397	1	S	Wing Nut
60	712-04063	1	/P	Hex Flange L-Nut 5/16-18 Gr. F
61	714-0104	1	S	Int. Cotter Pin 5/16 DIA
62	726-0214	1	/P	Push Cap 5/8" Dia Rod
63	732-0306	1	S	Com pression Spring
64	736-0232	1	S	Spring Washer .530 ID
65	736-0264	1	S	Flat Washer .344 ID x .625 OD x .063
66	736-0366	1	/P	Flat Washer .63 ID x .12 OD x .12
67	736-0931	1	/P	Flat Washer .203 ID x .406 OD x .040
68	737-3000	1	S	Grease Fitting
69	741-0685	1		Flange Bearing .631 ID
70	747-0924	1		Pin
71	710-0653	1	/P	Hex Wash HD Tapp Scr 1/4-20 x .38
72	710-0895	1		Screw 1/4-15 X .75
73	731-1828	1		Baffle
74	748-0377C	1	S	Blade Adapter (w/star)
75	736-0524B	1	/P	Bell Blade Support
76	710-1257	1	/P	Hex Bolt 3/8-24 x 2.00 Gr. 8 Special
79	742-0741	1	S	Blade 21" (w/star)
81	631-0067	1		Chute Assembly (Incl. Ref No. 82-86)
82	726-0111	1	/P	Push Cap .188 Rod
83	731-1713B	1	S	Top Chute
84	731-1874	1		Chute Door
85	732-0819	1		Torsion Spring
86	747-0965	1		Pivot Rod
89	734-1857	1	/P	Front Wheel Ass'y 7 x 2 (Link/Blk/BB)
89	734-2004A	1	S	Front Wheel Ass'y 8 x 2.125 (Zag/BB)
90	734-1981A	1	/P	Rear Wheel Ass'y 9 x 2.00 (Link /Black w/sleeve bushing)
90	734-2010	1	S	Rear Wheel Ass'y 9 x 2.125 (Black w/sleeve bushing)
90	734-2044	1	S	Rear Wheel Ass'y 9 x 2.125 (Drive/Zag/Blk)
91	731-0981A	1	S	Hub Cap -Grey
91	731-0982A	1	S	Hub Cap - Beige
91	731-1426	1	S	Hub Cap -Yellow
92	731-1887	1		Hub Cap -Grey (Front, w/hole)
92	731-1888	1		Hub Cap - Beige (Front, w/hole)
92	731-1886	1		Hub Cap -Yellow (Front, w/hole)
93	682-9024	1		Wheel Caster Brkt. Ass'y RH



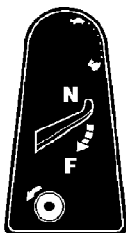
12A-998Q597 (2008)  
General Assembly

Page 5 of 13

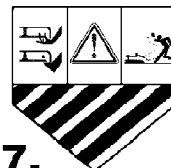
Ref #	Part Number	Qty	S/P/F	Description
1	710-1174	1	/P	Carriage Bolt 5/16-18 x 2.0
2	714-0104	1	S	Int. Cotter Pin 5/16 DIA
3	720-04072	1	S	Plastic Knob
4	726-0240	1	S	Cable Tie
5	647-0004	1		Control Bail Lever - Deluxe Black
5	647-04014	1		Control Bail Lever - Red
5	647-04046	1		Control Bail Lever - Grey
6	712-04063	1	/P	Flg. Lock Nut 5/16-18 Gr. F Nylon
8	736-0270	1	/P	Cup. Wash. .265 ID x .75 OD x .062
9	746-0841	1	S	Throttle Wire 60.0" Lg. Yellow
10	712-0324	1	/P	Hex Ins. Locknut 1/4-20
11	710-1270	1		Mach. Scr. 1/4-20 x 1.319
12	746-0883	1		Cable Bracket
13	710-0703	1	/P	Carriage Bolt 1/4-20 x .75
14	712-0397	1	S	Wing Nut
15	746-0557	1	S	Control Cable 47.0" Lg.(Honda)
16	731-0904A	1	S	Control Cover
17	731-0924	1		6 Speed Shift Lever
18	713-0397	1	S	3 Tooth Rack Gear Insert
19	710-1667A	1	/P	C-sunk Tap Screw #10 x .75
20	732-0627	1		Shift Lever Spring
21	16864	1		Rack Cable Bracket
22	731-0905A	1	S	Control Cover
23	731-0906	1	S	Control Cover
24	731-0620A	1	/P	Control Lever
25	746-0939A	1	S	Pulley Cable 53" Lg.
26	746-0711B	1	S	Clutch Cable - 53" Lg. Orange
27	747-0824	1	S	Control Bail Lever
28	720-0294	1	/P	Foam Grip
29	749-0439D	1	S	Upper Handle
30	749-0907B	1	/P	Lower Handle
31	631-0072	1		Grassbag Cover w/Label
32	747-0939	1		Grasscatcher Pivot Rod
33	726-0106	1	S	Push Cap
34	747-0937	1	S	Grasscatcher Upper Frame
35	747-0940A	1	S	Grasscatcher Support Rod
36	664-0074	1	S	Grassbag (yellow logo)
36	664-0075	1		Grassbag (red logo)
36	664-04036	1		Grassbag (WOP)
36	661-0076	1		Grassbag



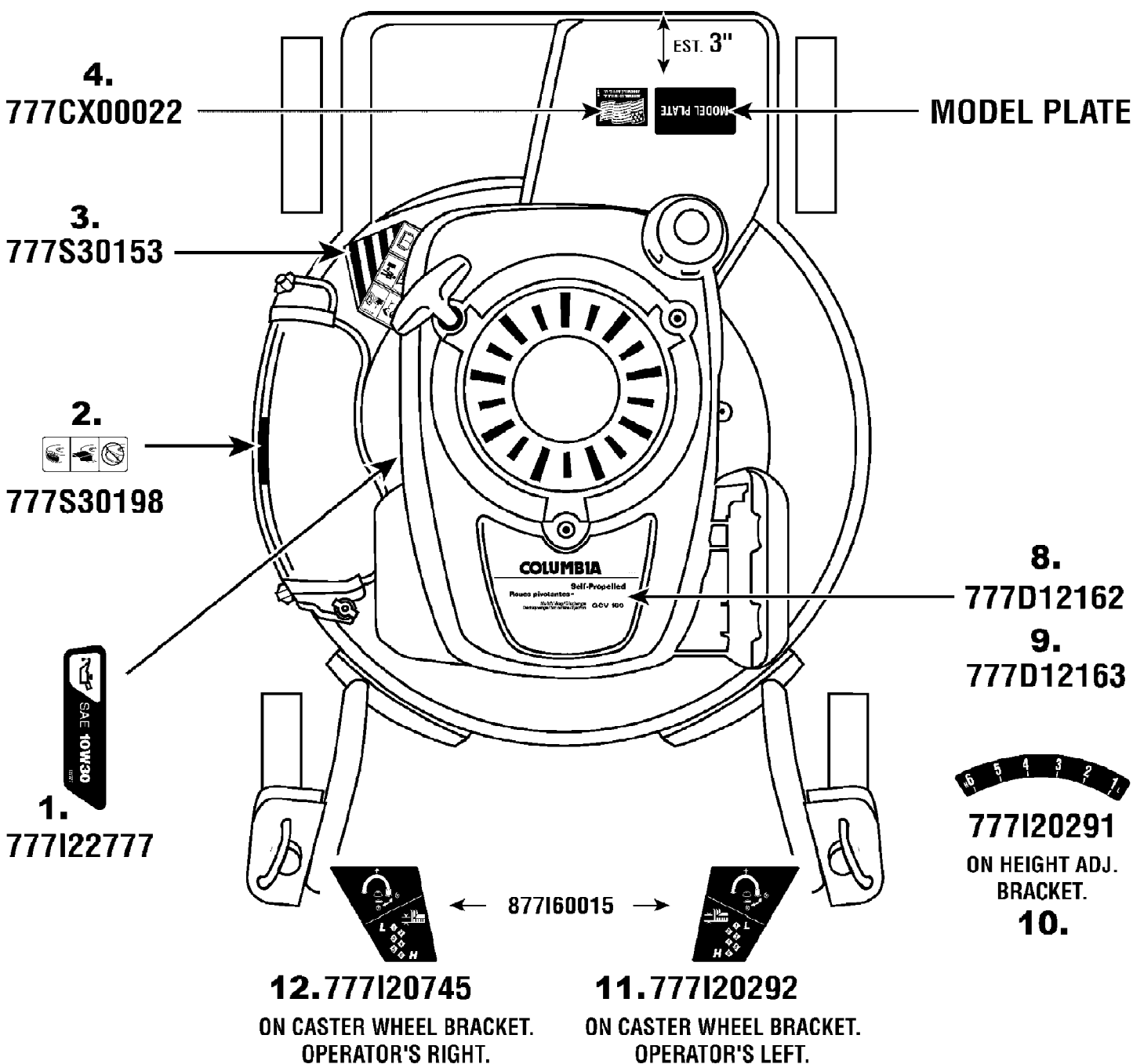
**5.**  
ON GRASS BAG COVER.  
APPLIED BY MANUFACTURER.  
REF. 777S30140



**6. 777I20374**  
ON SPEED CONTROL.



**7.**  
ON SIDE OF REAR  
DISCHARGE CHUTE.  
APPLIED BY  
MANUFACTURER.  
REF. 777S30164



**4.**  
777CX00022

**3.**  
777S30153

**2.**  
777S30198

**1.**  
777I22777

**MODEL PLATE**

**8.**  
777D12162  
**9.**  
777D12163

**777I20291**  
ON HEIGHT ADJ.  
BRACKET.  
**10.**

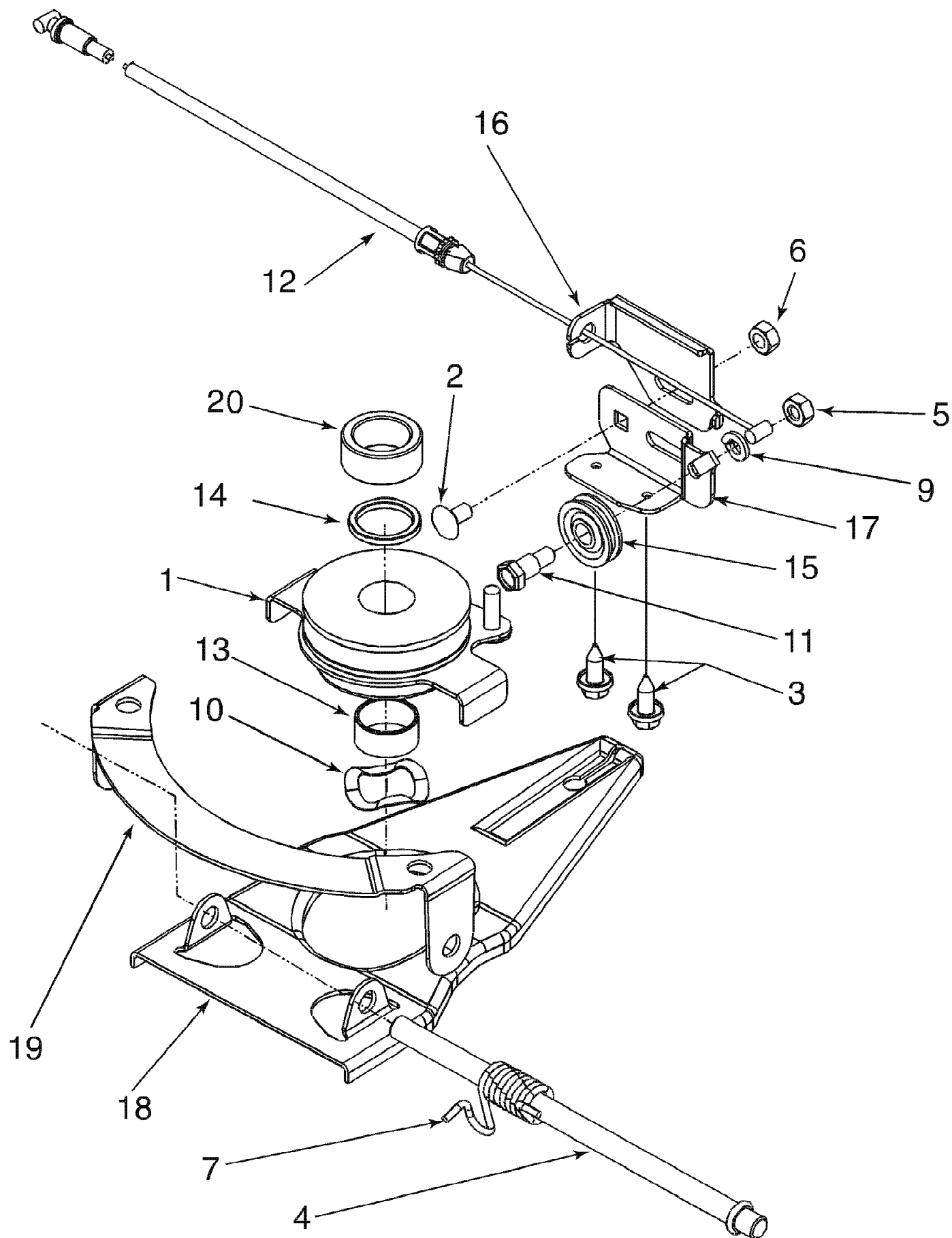
**12. 777I20745**  
ON CASTER WHEEL BRACKET.  
OPERATOR'S RIGHT.

**11. 777I20292**  
ON CASTER WHEEL BRACKET.  
OPERATOR'S LEFT.

12A-998Q597 (2008)  
Label Map

Page 7 of 13

Ref #	Part Number	Qty	S/P/F	Description
1	777I22777	1		LABEL-10W30 ENG SHROUD
2	777S30198	1		LABEL:MOWER
3	777S30153	1		LABEL-DANGER CHUTE
4	777CX00022	1		LBLX: MADE IN USA
5	777S30140	1		LABEL-DANGER
6	777I20374	1		LABEL SIX SPEED
7	777S30164	1		LBL:SAFETY PICT
8	777D12162	1		LABEL-ENG SHROUD COLUMBIA 978Q Model 978Q Only
9	777D12163	1		LABEL-ENG SHROUD COLUMBIA 998Q Model 998Q Only
10	777I20291	1		LABEL-HEIGHT ADJUS
11	777I20292	1		LABEL-CASTOR LOCK LH Model 998Q Only
12	777I20745	1		LABEL-CASTOR LOCK RH Model 998Q Only

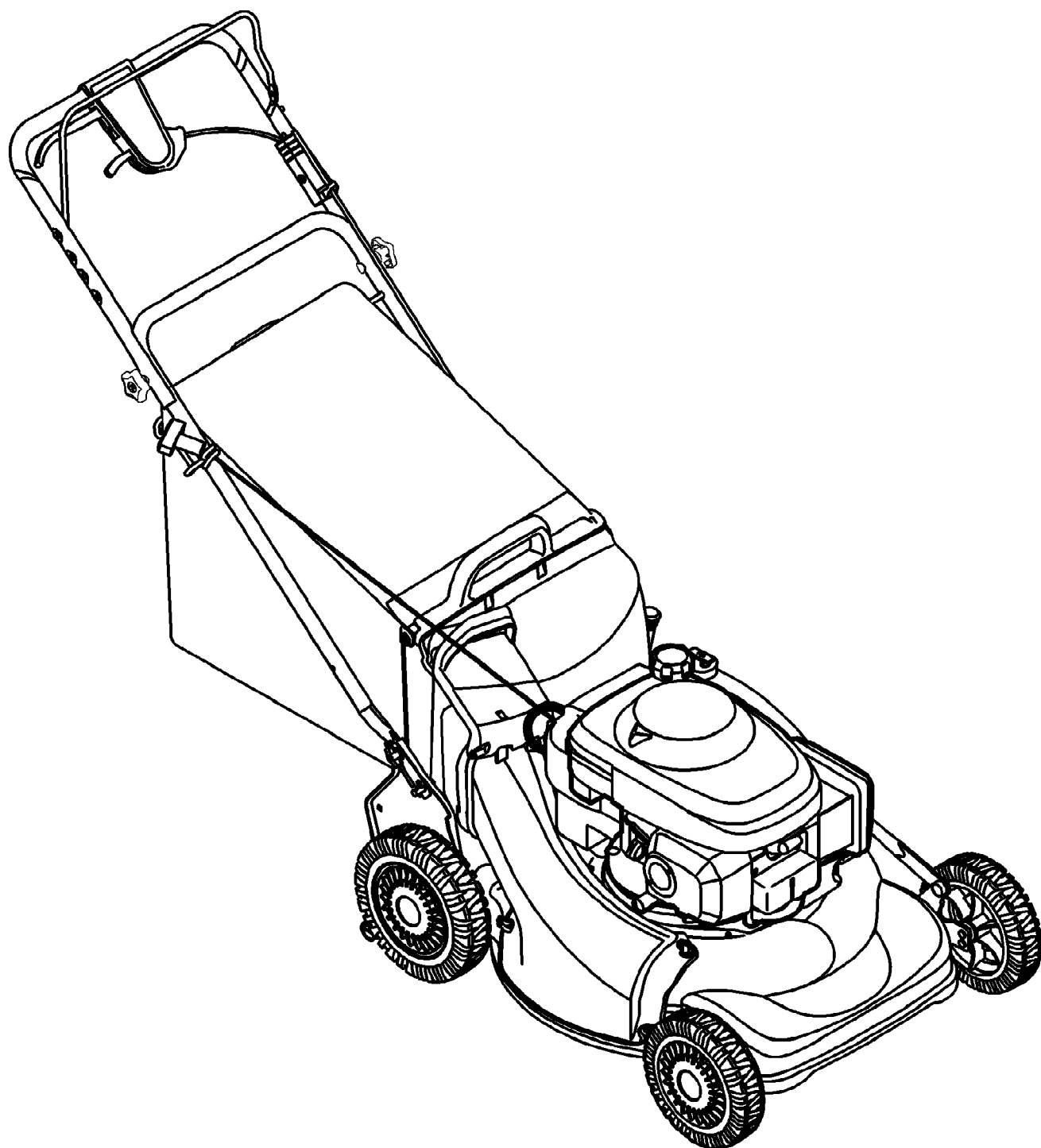




12A-998Q597 (2008)  
Pulley Assembly

Page 9 of 13

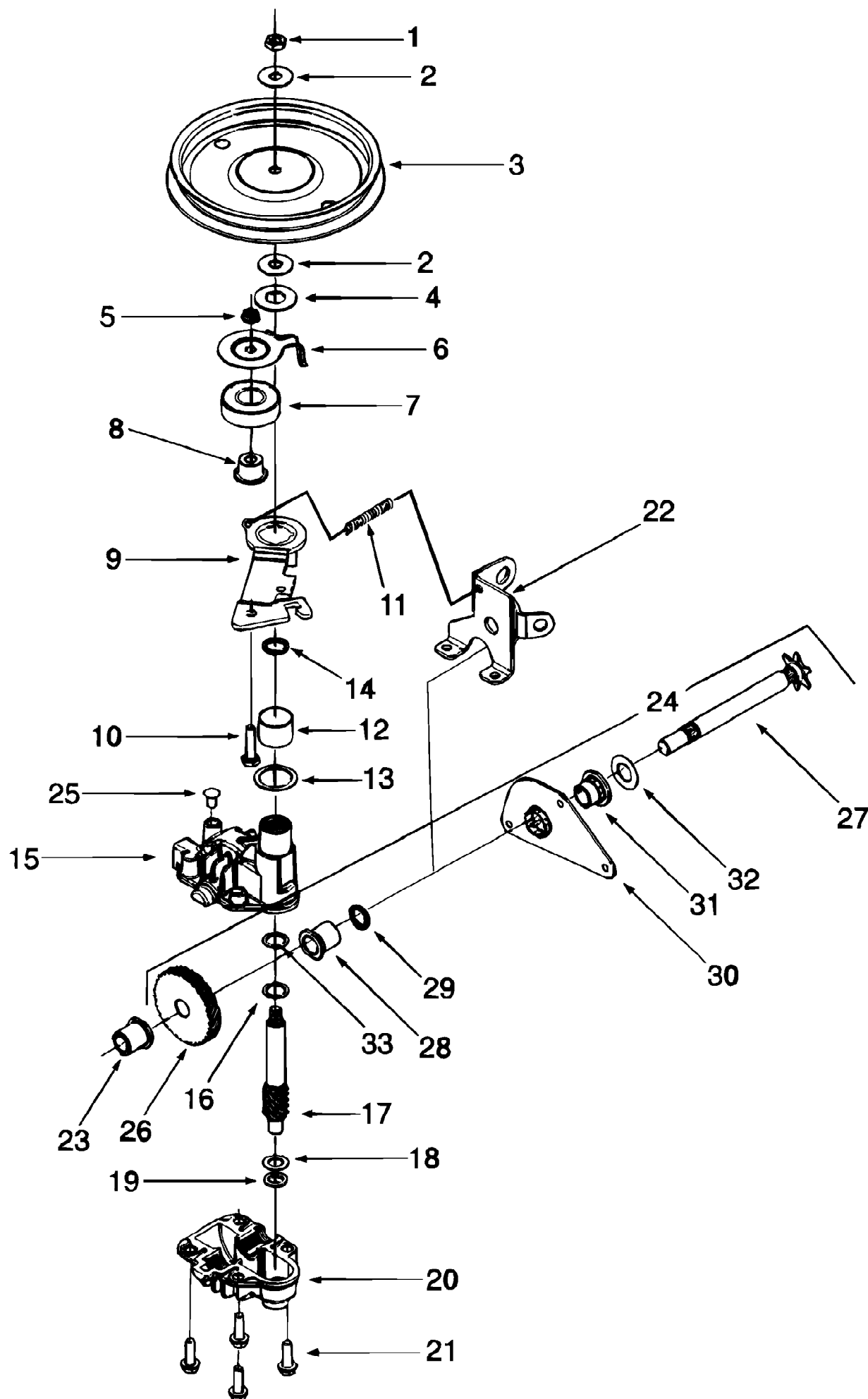
Ref #	Part Number	Qty	S/P/F	Description
1	656-0613	1	S	Multi Speed Pulley Ass'y
2	710-0134	1	/P	Carriage Bolt 1/4-20 x .62\5" Lg. Gr. 2
3	710-1652	1	/P	Hex Wash HD. TT Tap Scr. 1/4-20 x .62
4	711-1114	1		Pivot Shaft
5	712-0138	1	S	Hex Nut 1/4-28
6	712-04064	1	/P	Flanged Lock Nut 1/4-20 Gr. F Nylon
7	732-0807	1	S	Torsion Spring LH
9	736-0329	1	S	L-Wash 1/4 ID
10	736-0526	1	S	Wave Washer .88 ID x 1.38 OD x .029
11	738-0924A	1	/P	Hex Shld.Scr.1/4-28 x .375
12	746-0939A	1	S	Pulley Cable 53" Lg.
13	750-1070	1	S	Sleeve Spacer .88 ID x 1.0 OD x .48
14	750-1071	1	S	Sleeve Spacer .88 ID x 1.13 OD x .12
15	756-0625	1		Cable Guide Roller
16	782-7574A	1	S	Cable Adjustment Bracket
17	782-7575A	1	S	Cable Mounting Bracket
18	782-7596A	1	/P	Control Arm
19	782-7597	1	/P	Pivot Bracket
20	750-1260	1		Sleeve Spacer .878 x 1.25 x .545 (with Honda engine only)



12A-998Q597 (2008)  
Quick Reference 998Q

Page 11 of 13

Ref #	Part Number	Qty	S/P/F	Description
	490-250-0009	1		Spark Plug
	N/A	1		Pre Filter
	17211-ZL8-023	1		Air Filter
	N/A	1		Fuel Filter
	746-0557	1	S	Control Cable
	746-0937A	1		Pulley Cable
	746-0711B	1	S	Clutch Cable
	746-0841	1	S	Throttle Wire
	754-0460	1	S	Drive Belt
	748-0377C	1	S	Blade Adaptor
	742-0741	1	S	Blade
	736-0524A	1	S	Blade Bell Support
	710-1257	1	/P	Blade Nut
	734-1857	1	/P	Wheels, Link 7 x 2 (Front)
	734-2004A	1	S	Wheels, Zag 8 x 2.125 (Front)
	734-1981A	1	/P	Wheels, Link 9 x 2.00 (Rear)
	734-2010	1	S	Wheels, w/sleeve bushing 9 x 2.125 (Rear)
	734-2044	1	S	Wheels, Drive Zag 9 x 2.125 (Rear)
	731-0981A	1	S	Hub Cap
	731-1901A	1	/P	Trailshield
	731-1832	1		Discharge Chute
	664-0074	1	S	Mulch Plug
	747-0937	1	S	Grass Bag
	731-1833A	1	S	Grass Bag Frame



12A-998Q597 (2008)  
Transmission Assembly

Page 13 of 13

Ref #	Part Number	Qty	S/P/F	Description
1	712-3025	1		Hex Jam Nut 5/16-24
2	736-0425	1	S	Cupped Washer .325 ID x .930 OD x .04
3	756-0656	1	/P	Pulley
4	736-3084	1	/P	Fl. Washer .510 x 1.120 x .060
5	712-0896	1		Hex Ins Jam L-Nut 1/4-28
6	782-7598	1		Belt Keeper
7	741-0124	1	S	Ball Bearing 17 x 40 x 12 mm
8	750-1050	1		Flange Spacer
9	682-0027A	1	S	Idler Bracket Ass'y
10	710-0299	1		Hex Bolt 1/4-28 x 1" Lg
11	732-0849A	1	S	Extension Spring 0.33 OD x 1.25
12	741-0682A	1	/P	Bearing Sleeve
13	736-0570	1	S	Fl. Washer .885 x 1.145 x .030
14	721-0329	1	S	Oil Seal
15	618-0253	1		Upper Housing Ass'y
16	736-0616	1	S	Thrust Washer .510 ID x .750 OD x .033
17	717-1487	1	S	Pinion Shaft 10 T
18	736-0314	1	S	Thrust Washer .382 ID x .70 OD
19	736-0569	1	S	Thrust Washer .388 x .625 x .062
20	618-0252	1	S	Lower Housing Ass'y
21	710-0642	1	/P	Thd Forming Scr. 1/4-20 x .75
22	782-7601A	1	S	Cable Bracket
23	741-0674	1	S	Bearing
24	611-0066	1	S	Shaft Ass'y
25	721-0325	1		Plug
26	717-1469	1		Gear 34 T
27	711-1168	1		Output Shaft 6 T
28	741-0673	1	S	Flange Bearing
30	782-7595	1		Pivot Bracket
31	741-0324A	1	/P	Flange Bearing .506 ID
32	736-0369	1	S	Washer, Flat .505 ID x 1.0
33	741-0690	1		Thrust Bearing .507 ID x .750 OD x .0625