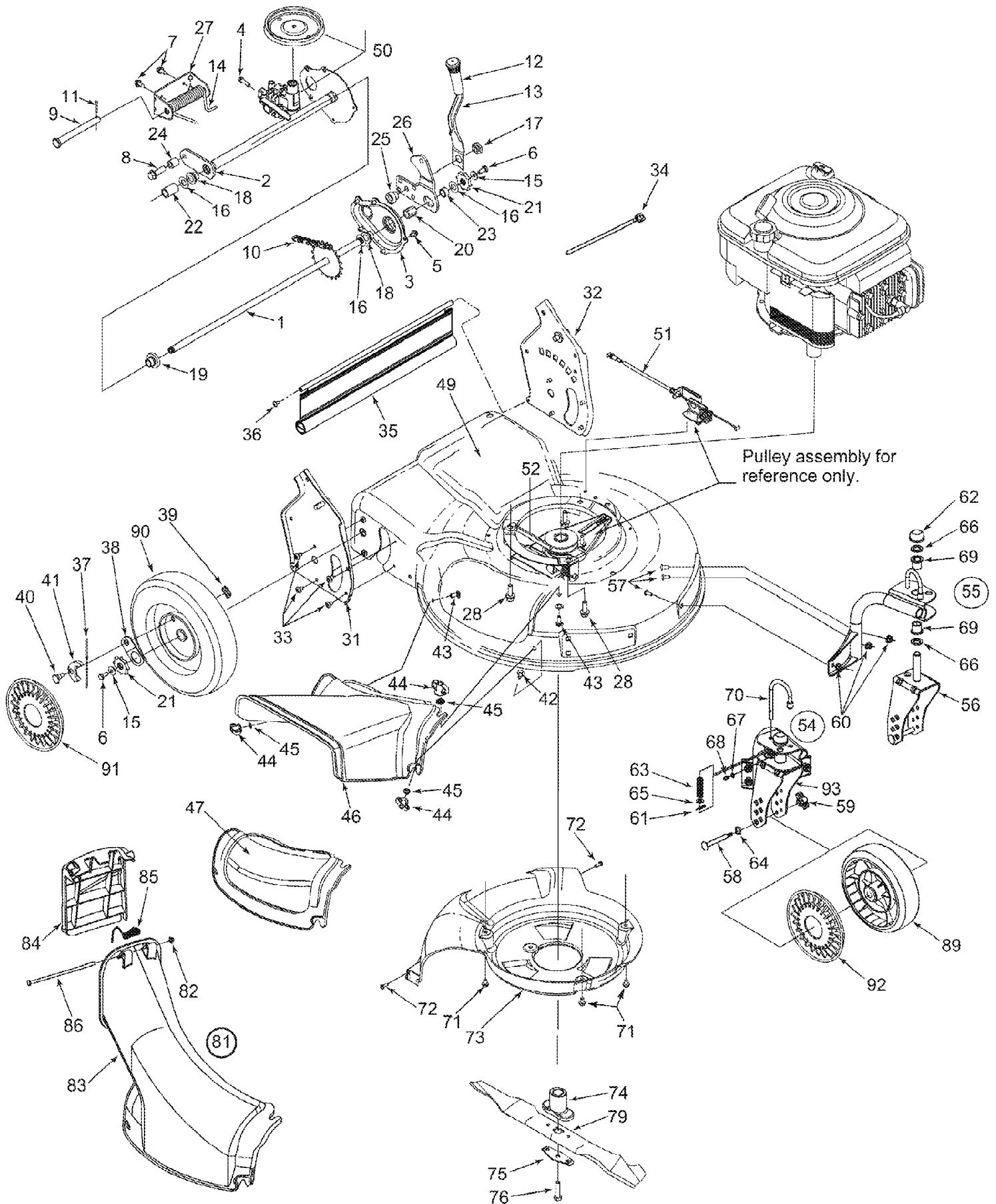


Transmission and pulley for
reference only.



12A-996B897 (2010)
Deck Assembly 996

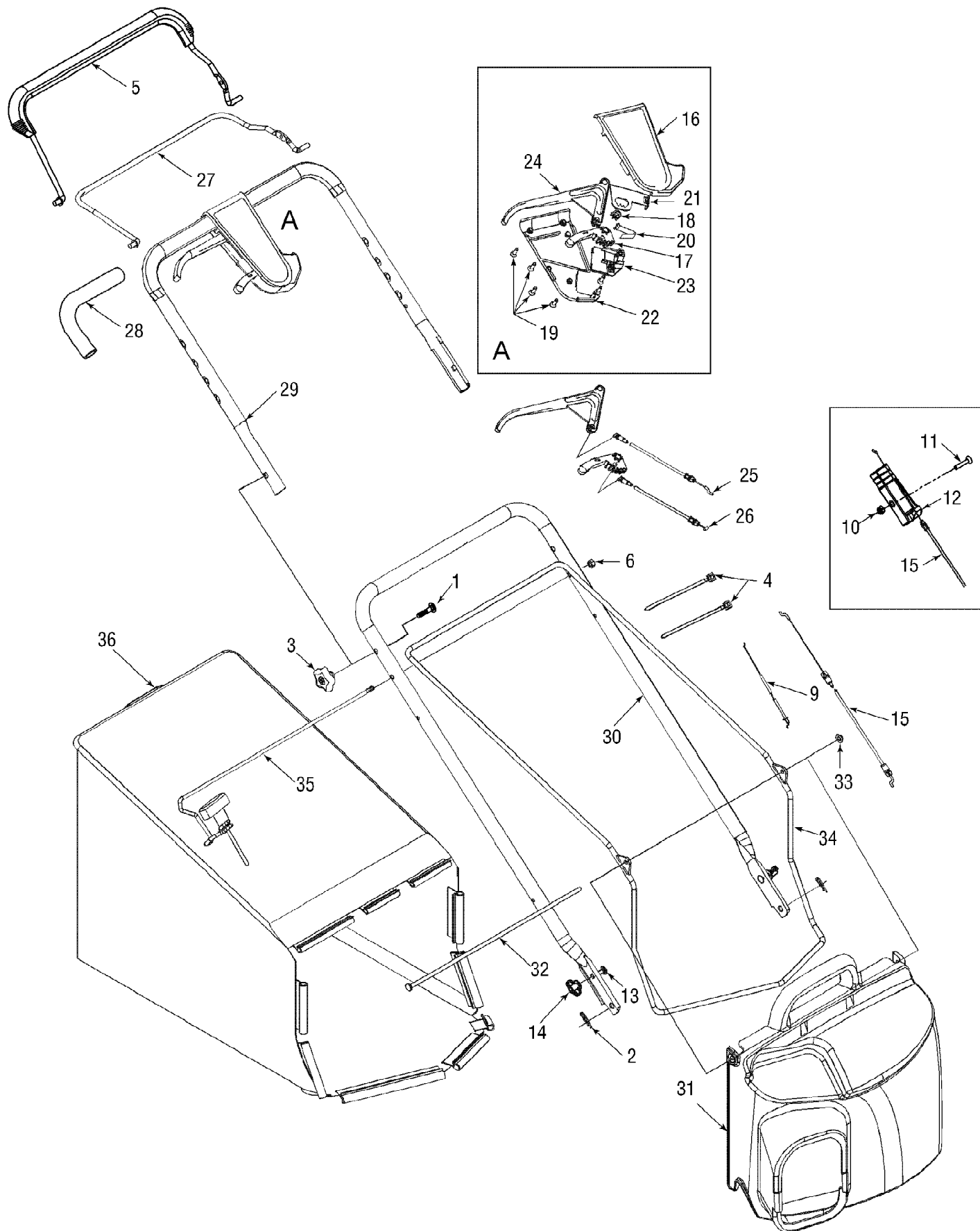
Page 2 of 11

Ref #	Part Number	Qty	S/P/F	Description
1	938-0012	1	/P	Axle Ass'y 20T x 21.46" Lg.
2	682-7526-0637	1	/P	Trans Axle Ass'y
3	682-7528-0637	1	/P	Chain Cover Ass'y
4	710-0604A	1	/P	Hex Wash HD Scr 5/16-18 x .62
5	710-0653	1	/P	Hex Wash HD Tapp Scr 1/4-20 x .38
6	710-0751	1	/P	Hex Bolt 1/4-20 x .62
7	710-1652	1	/P	Hex Wash Hd. Scr 1/4-20 x .625" Lg
8	710-1315	1	/P	TT Screw 3/8-16 x 1.25
9	911-0835	1	/P	Clevis Pin .5" Dia. x 4.62" Lg.
10	913-0453	1	/P	Chain, No. 48 End less .50 x 24 links
11	914-0474	1	/P	Cotter Pin
12	720-0223	1		Grip
13	732-0803A	1	/P	Spring Lever
14	732-0832	1		RH Torsion Spring
15	736-0270	1	/P	Cupped Wash. .25 ID x .88 OD x .062
16	936-0369	1	/P	Washer, Flat .505 ID x 1.0
17	938-0529	1	/P	Shoulder Nut .625 DIA. x .165
18	741-0324A	1	/P	Flange Bear ing .506 ID
19	941-0522	1	/P	Hex Flange Bear ing
20	741-0978	1		Hex Sleeve Bear ing .504 x .830 Lg.
21	948-0318	1	/P	Ratchet Wheel
22	950-0151	1	/P	Spacer .55 ID x .75
23	750-0515	1		Sleeve .511 ID x .70 OD x .37" LG.
24	750-0807	1		Spacer .38 x .625" Lg.
25	950-1056	1	/P	Shoulder Spacer .385 ID x .715" Lg.
26	782-0566B-0637	1	/P	Pivot Axle Arm
27	782-0568-0637	1	/P	Spring Bracket
28	710-0654A	1	/P	Hex Wash HD Tap Scr 3/8-16 x .88
31	682-3052-0637	1		Handle Brkt. Ass'y RH
32	682-3053-0637	1	/P	Handle Brkt. Ass'y LH
33	710-1348	1	/P	Screw AB 1/4-20
34	725-0157	1	/P	Cable Tie
35	731-1901A	1	/P	Rear Flap 17.25" Lg.
37	10622BP	1	/P	Spring Nylon
38	16855	1		Pawl Plate
39	912-0414	1	/P	Toplock Flat Weldnut 1/4-20
40	938-0137A	1	/P	Shoulder Screw .340 x .285: 1/4-20
41	948-0188B	1	/P	Pawl LH (Not Shown)
41	748-0381	1		Pawl RH
42	710-0134	1	/P	Carriage Bolt 1/4-20 x .62
43	710-0703	1	/P	Carriage Bolt 1/4-10 x .75
44	912-0397	1	/P	Wing Nut
45	726-0233	1	/P	Bolt Retainer 1/4" x .50" OD
46	731-1832	1		Side Chute
47	931-1833A	1	/P	Mulching Baffle
49	782-0078B-0606	1		Deck Ass'y 21" (w/logo)
50	918-0263A	1	/P	Transmission Ass'y
51	946-0711B	1	/P	SP Cable 51.0" Lg.
52	954-0460	1	/P	V-Belt 3/8 x 39.24" Lg.
54	682-9020A-0606	1		RH Caster Ass'y
55	682-9021A-0606	1		LH Caster Ass'y
56	682-9026-0606	1		Wheel Caster Brkt Ass'y LH
57	710-0260A	1	/P	Hex Wash HD Scr 5/16 x 18 x .62" Lg.

12A-996B897 (2010)
Deck Assembly 996

Page 3 of 11

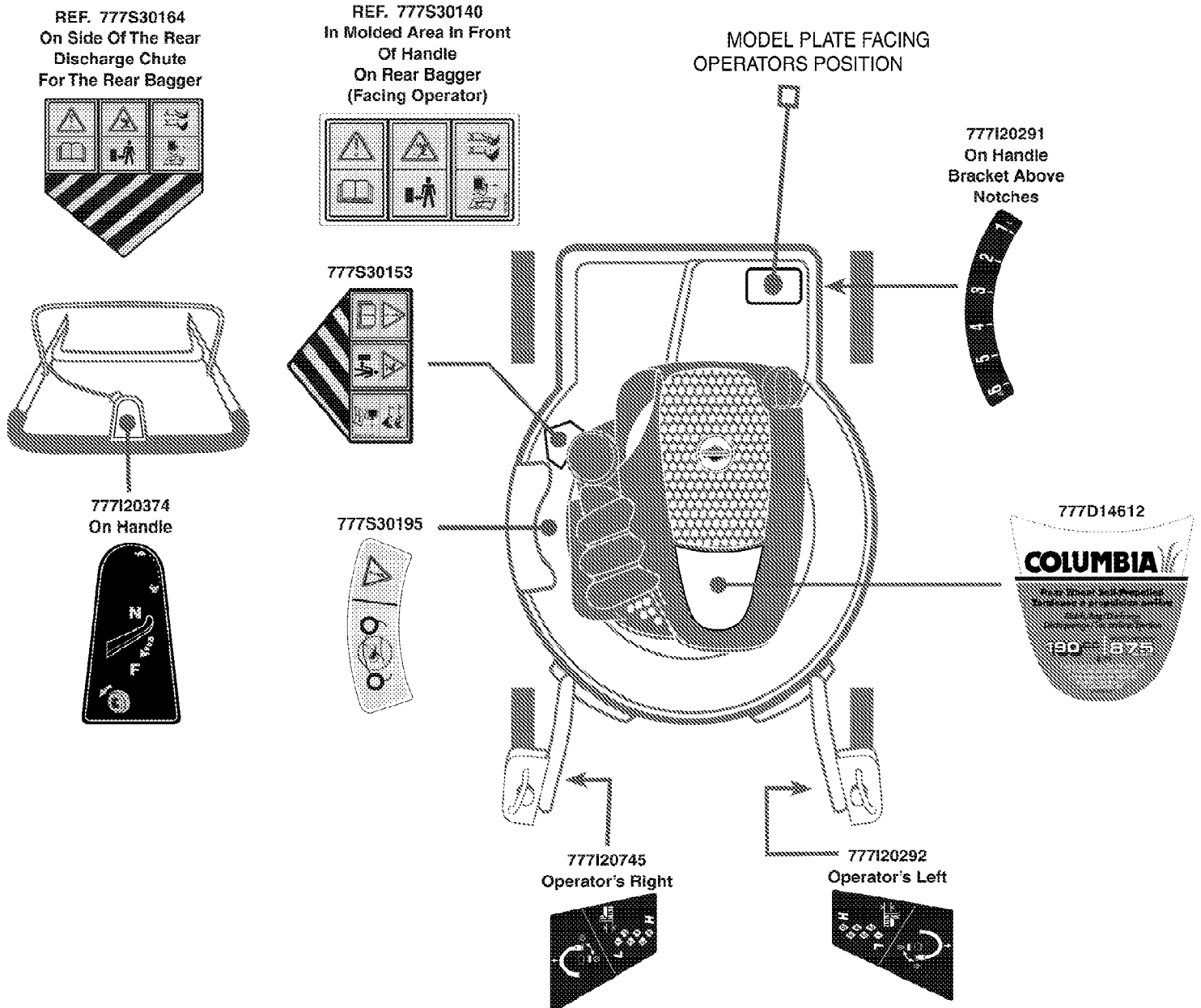
Ref #	Part Number	Qty	S/P/F	Description
58	911-1146	1	/P	Caster Axle
59	912-0397	1	/P	Wing Nut
60	712-04063	1	/P	Hex Flange L-Nut 5/16-18 Gr. F
61	914-0104	1	/P	Int. Cotter Pin 5/16 DIA
62	726-0214	1	/P	Push Cap 5/8" Dia Rod
63	932-0306A	1	/P	Com pres ion Spring
64	936-0232	1	/P	Spring Washer .530 ID
65	936-0264	1	/P	Flat Washer .344 ID x .625 OD x .063
66	736-0366	1	/P	Flat Washer .63 ID x .12 OD x .12
67	736-0931	1	/P	Flat Washer .203 ID x .406 OD x .040
68	937-3000	1	/P	Grease Fit ting
69	741-0685	1		Flange Bear ing .631 ID
70	747-0924	1		Pin
71	710-0653	1	/P	Hex Wash HD Tapp Scr 1/4-20 x .38
72	710-0895	1		Screw 1/4-15 X .75
73	731-1828	1		Baffle
74	748-0377E	1	/P	Blade Adapter (w/star)
75	736-0524B	1	/P	Bell Blade Support
76	710-1257	1	/P	Hex Bolt 3/8-24 x 2.00 Gr. 8 Special
77	936-0504	1	/P	Wave Washer .51" ID
79	942-0741	1	/P	Blade 21" (w/star)
81	631-0067	1		Chute Assembly includes ref 82, 83, 84, 85, 86.
82	726-0111	1	/P	Push Cap .188 Rod
83	931-0066	1	/P	Top Chute
84	731-1874	1		Chute Door
85	732-0819	1		Torsion Spring
86	747-0965	1		Pivot Rod
89	734-1857	1	/P	Front Wheel Ass'y 7 x 2 (Link/Blk/BB)
90	734-2044A	1	/P	Rear Wheel Ass'y 9 x 2.125 (Drive/Zag/Blk)
91	731-07001	1		Hub Cap -Grey
92	731-1887	1		Hub Cap -Grey (Front, w/hole)
93	682-9024-0606	1		Wheel Caster Brkt. Ass'y RH



12A-996B897 (2010)
Handle & Bag Assembly

Page 5 of 11

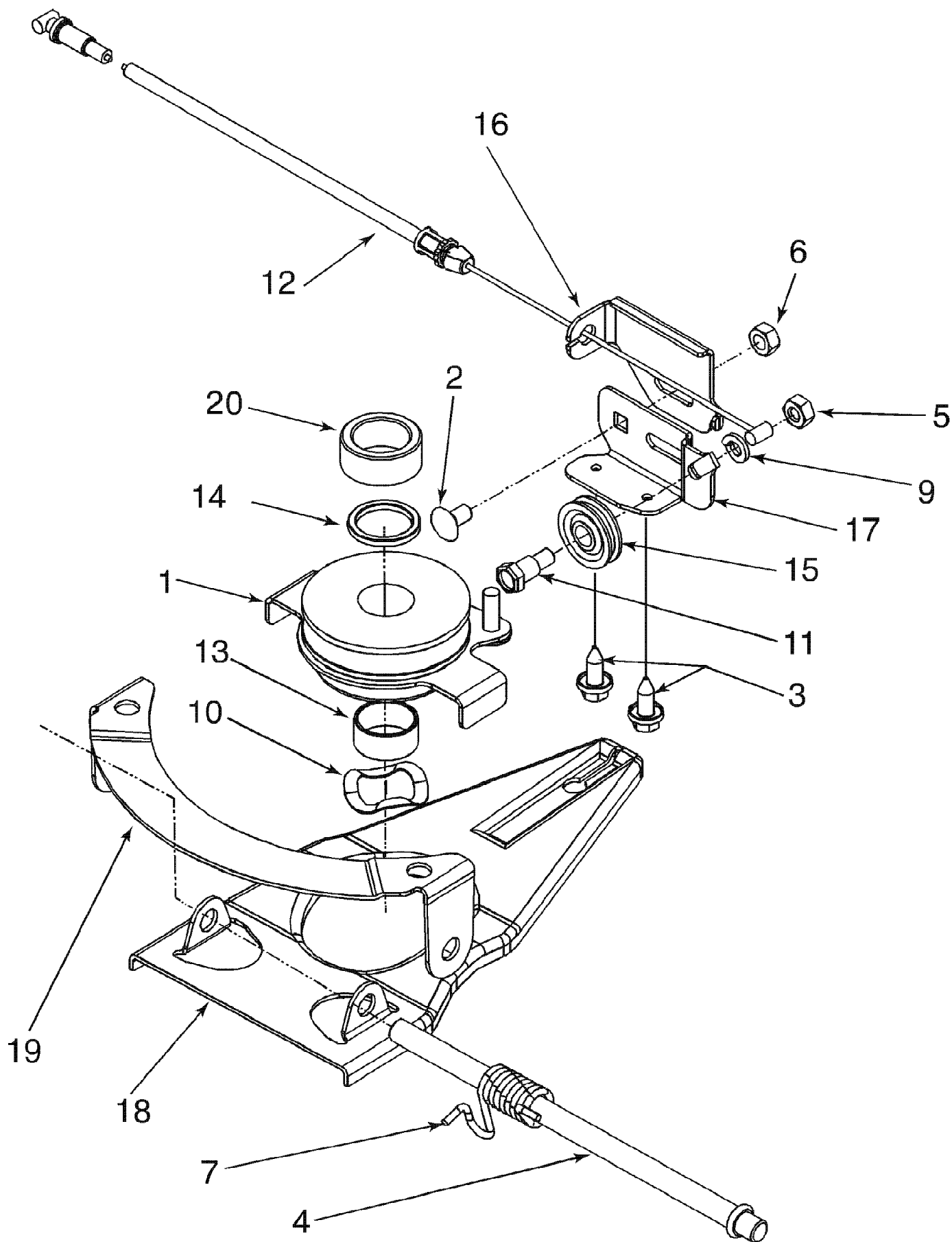
Ref #	Part Number	Qty	S/P/F	Description
1	710-1174	1	/P	Carriage Bolt 5/16-18 x 2.0
2	914-0104	1	/P	Int. Cotter Pin 5/16 DIA
3	720-04072A	1	/P	Plastic Knob
4	926-0240	1	/P	Cable Tie
5	647-0004	1		Control Bail Lever - Deluxe Black
6	712-04063	1	/P	Flg. Lock Nut 5/16-18 Gr. F Nylon
8	736-0270	1	/P	Cup. Wash. .265 ID x .75 OD x .062
9	746-0674A	1	/P	Throttle Wire 60.0" Lg. Yellow
10	712-0324	1	/P	Hex Ins. Locknut 1/4-20
11	710-1270	1		Mach. Scr. 1/4-20 x 1.319
12	746-0883	1		Cable Bracket
13	710-0703	1	/P	Carriage Bolt 1/4-20 x .75
14	912-0397	1	/P	Wing Nut
15	746-0557	1	S	Control Cable 47.0" Lg.(B&S)
16	753-0717	1	/P	Control Cover
17	731-0924	1		6 Speed Shift Lever
18	913-0397	1	/P	3 Tooth Rack Gear Insert
19	710-1667A	1	/P	C-sunk Tap Screw #10 x .75
20	732-0627A	1		Shift Lever Spring
21	16864	1		Rack Cable Bracket
22	753-0717	1	/P	Control Cover
23	753-0717	1	/P	Control Cover
24	731-0620A	1	/P	Control Lever
25	946-0939A	1	/P	Pulley Cable 53" Lg.
26	946-0711B	1	/P	Clutch Cable - 53" Lg. Orange
27	747-0824-0637	1	/P	Control Bail Lever
28	720-0294	1	/P	Foam Grip
29	749-0439E-0637	1	/P	Upper Handle
30	749-0907B	1	/P	Lower Handle
31	631-0072	1		Grassbag Cover w/Label
32	747-0939	1		Grasscatcher Pivot Rod
33	926-0106	1	/P	Push Cap
34	747-0937-0637	1	/P	Grasscatcher Upper Frame
35	747-0940A-0637	1	/P	Grasscatcher Support Rod
36	964-0076A	1	/P	Grassbag



12A-996B897 (2010)
Label Map 996

Page 7 of 11

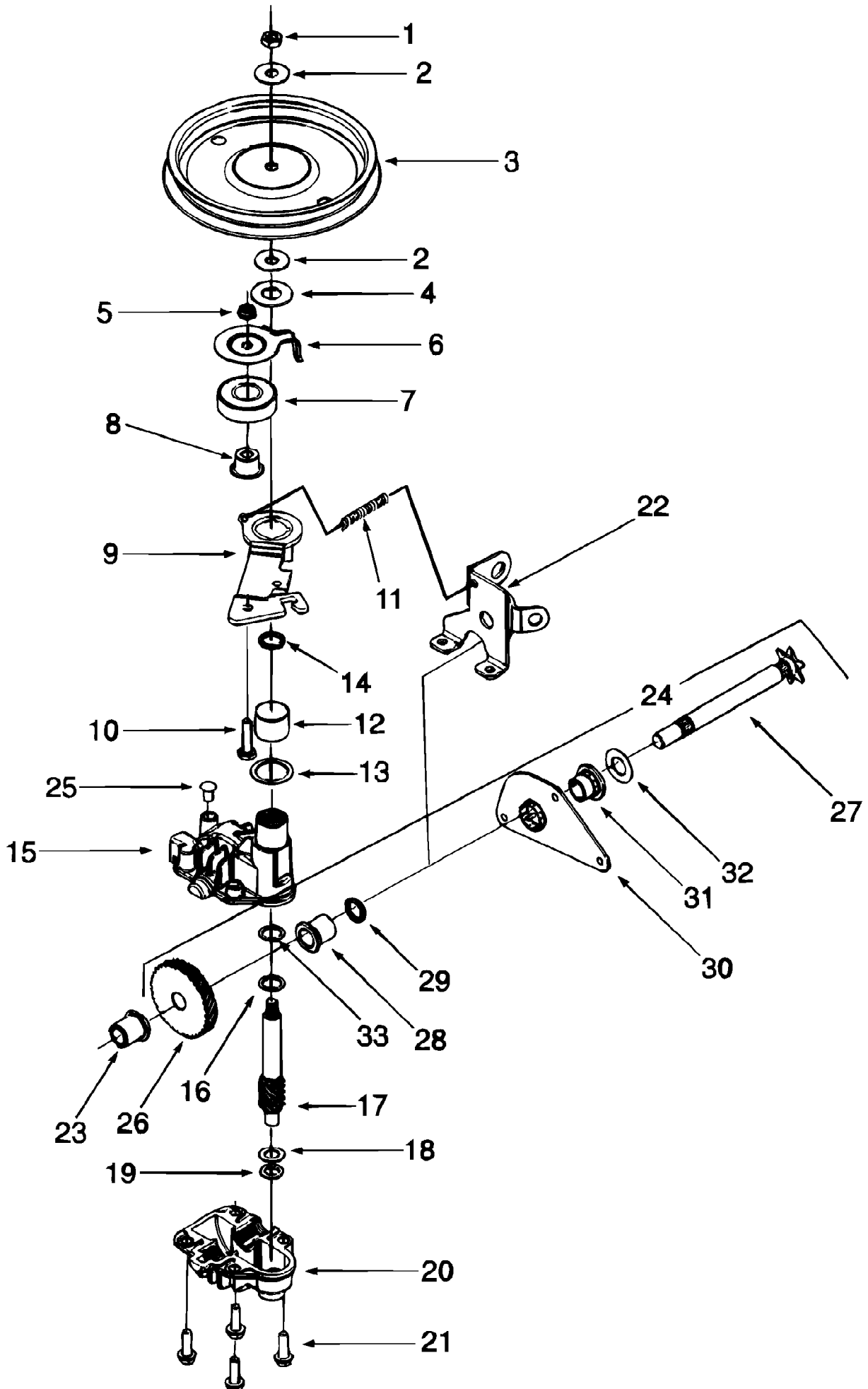
Ref #	Part Number	Qty	S/P/F	Description
777S30164	777S30164	1		LABEL-SAFETY PICT (1112A)
777S30140	777S30140	1		LABEL-DANGER
777S30153	777S30153	1		LABEL-DANGER CHUTE
777I20374	777I20374	1		LABEL-SIX SPEED
777S30195	777S30195	1		LABEL-SDDSCD WARNG
777D14612	777D14612	1		LABEL-WALK:COLUM 875 REAR WH
777I20291	777I20291	1		LABEL-HEIGHT ADJUS
777I20745	777I20745	1		LABEL-CASTOR LOCK
777I20292	777I20292	1		LABEL-CASTOR LOCK



12A-996B897 (2010)
Pulley Assembly

Page 9 of 11

Ref #	Part Number	Qty	S/P/F	Description
1	956-0613A	1	/P	Multi Speed Pulley Ass'y
2	710-0134	1	/P	Carriage Bolt 1/4-20 x .62\5" Lg. Gr. 2
3	710-1652	1	/P	Hex Wash HD. TT Tap Scr. 1/4-20 x .62
4	711-1114	1		Pivot Shaft
5	912-0138	1	/P	Hex Nut 1/4-28
6	712-04064	1	/P	Flanged Lock Nut 1/4-20 Gr. F Nylon
7	932-0807	1	/P	Torsion Spring LH
9	936-0329	1	/P	L-Wash 1/4 ID
10	936-0526	1	/P	Wave Washer .88 ID x 1.38 OD x .029
11	738-0924A	1	/P	Hex Shld.Scr.1/4-28 x .375
12	946-0939A	1	/P	Pulley Cable 53" Lg.
13	950-1070	1	/P	Sleeve Spacer .88 ID x 1.0 OD x .48
14	950-1071	1	/P	Sleeve Spacer .88 ID x 1.13 OD x .12
15	756-0625	1		Cable Guide Roller
16	782-7574A-0637	1	/P	Cable Adjustment Bracket
17	782-7575B-0637	1	/P	Cable Mounting Bracket
18	782-7596A	1	/P	Control Arm
19	782-7597	1	/P	Pivot Bracket
20	750-1260	1		Sleeve Spacer .878 x 1.25 x .545 (with Honda engine only)



12A-996B897 (2010)
Transmission

Page 11 of 11

Ref #	Part Number	Qty	S/P/F	Description
1	712-3025	1		Hex Jam Nut 5/16-24
2	936-0425	1	/P	Cupped Washer .325 ID x .930 OD x .04
3	756-0656	1	/P	Pulley
4	736-3084	1	/P	Fl. Washer .510 x 1.120 x .060
5	712-0896	1		Hex Ins Jam L-Nut 1/4-28
6	782-7598	1		Belt Keeper
7	941-0600	1	/P	Ball Bearing 17 x 40 x 12 mm
8	750-1050	1		Flange Spacer
9	982-0027A	1	/P	Idler Bracket Ass'y
10	710-0299	1		Hex Bolt 1/4-28 x 1" Lg
11	932-0849A	1	/P	Extension Spring 0.33 OD x 1.25
12	741-0682A	1	/P	Bearing Sleeve
13	936-0570	1	/P	Fl. Washer .885 x 1.145 x .030
14	921-0329	1	/P	Oil Seal
15	618-0253	1		Upper Housing Ass'y
16	936-0616	1	/P	Thrust Washer .510 ID x .750 OD x .033
17	917-1487	1	/P	Pinion Shaft 10 T
18	936-0314	1	/P	Thrust Washer .382 ID x .70 OD
19	936-0569	1	/P	Thrust Washer .388 x .625 x .062
20	918-0252	1	/P	Lower Housing Ass'y
21	710-0642	1	/P	Thd Forming Scr. 1/4-20 x .75
22	782-7601A-0637	1	/P	Cable Bracket
23	941-0674	1	/P	Bearing
24	911-0066	1	/P	Shaft Ass'y
25	721-0325	1		Plug
26	717-1469	1		Gear 34 T
27	711-1168	1		Output Shaft 6 T
28	941-0673	1	/P	Flange Bearing
30	782-7595	1		Pivot Bracket
31	741-0324A	1	/P	Flange Bearing .506 ID
32	936-0369	1	/P	Washer, Flat .505 ID x 1.0
33	741-0690	1		Thrust Bearing .507 ID x .750 OD x .0625