

12A-996B597 (2009)
Drive Assembly 996

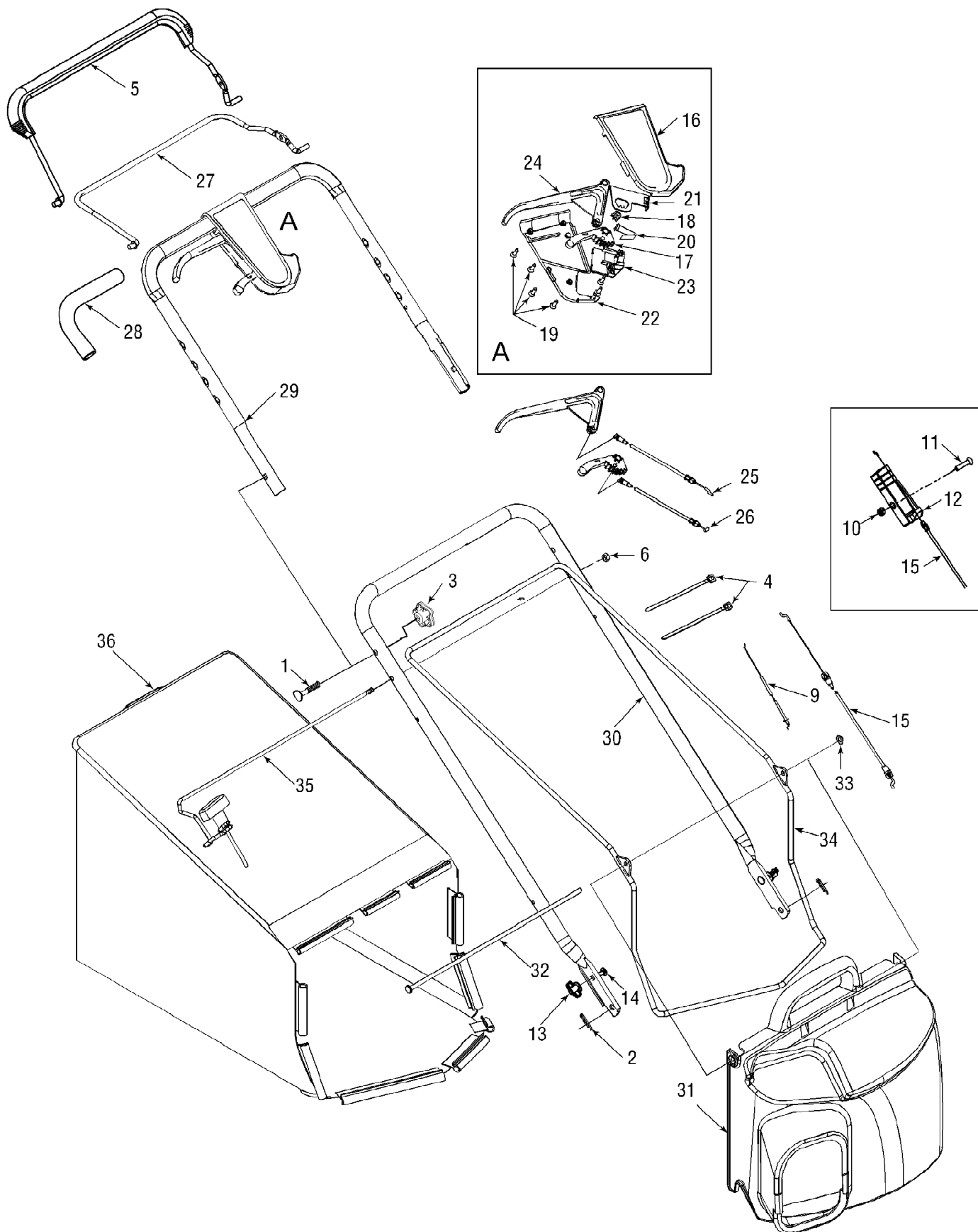
Page 2 of 13

Ref #	Part Number	Qty	S/P/F	Description
1	638-0012	1	S	Axle Ass'y 20T x 21.46" Lg.
2	682-7526-0637	1	/P	Trans Axle Ass'y
3	682-7528-0637	1	/P	Chain Cover Ass'y
4	710-0604A	1	/P	Hex Wash HD Scr 5/16-18 x .62
5	710-0653	1	/P	Hex Wash HD Tapp Scr 1/4-20 x .38
6	710-0751	1	/P	Hex Bolt 1/4-20 x .62
7	710-1652	1	/P	Hex Wash Hd. Scr 1/4-20 x .625" Lg
8	710-1315	1	/P	TT Screw 3/8-16 x 1.25
9	911-0835	1	/P	Clevis Pin .5" Dia. x 4.62" Lg.
10	913-0453	1	/P	Chain, No. 48 End less .50 x 24 links
11	914-0474	1	/P	Cotter Pin
12	720-0223	1		Grip
13	732-0803A	1	/P	Spring Lever
14	732-0832	1		RH Torsion Spring
15	736-0270	1	/P	Cupped Wash. .25 ID x .88 OD x .062
16	936-0369	1	/P	Washer, Flat .505 ID x 1.0
17	938-0529	1	/P	Shoulder Nut .625 DIA. x .165
18	741-0324A	1	/P	Flange Bearing .506 ID
19	941-0522	1	/P	Hex Flange Bearing
20	741-0978	1		Hex Sleeve Bearing .504 x .830 Lg.
21	948-0318	1	/P	Ratchet Wheel
22	950-0151	1	/P	Spacer .55 ID x .75
23	750-0515	1		Sleeve .511 ID x .70 OD x .37" LG.
24	750-0807	1		Spacer .38 x .625" Lg.
25	950-1056	1	/P	Shoulder Spacer .385 ID x .715" Lg.
26	782-0566B-0637	1	/P	Pivot Axle Arm
27	782-0568-0637	1	/P	Spring Bracket
28	710-0654A	1	/P	Hex Wash HD Tap Scr 3/8-16 x .88
31	682-3052-0637	1		Handle Brkt. Ass'y RH
32	682-3053-0637	1	/P	Handle Brkt. Ass'y LH
33	710-1348	1	/P	Screw AB 1/4-20
34	725-0157	1	/P	Cable Tie
35	731-1901A	1	/P	Rear Flap 17.25" Lg.
36	732-0842	1		Rear Flap Wire
37	10622BP	1	/P	Spring Nylon
38	16855	1		Pawl Plate
39	912-0414	1	/P	Toplock Flat Weldnut 1/4-20
40	938-0137A	1	/P	Shoulder Screw .340 x .285: 1/4-20
41	948-0188B	1	/P	Pawl LH (Not Shown)
41	748-0381	1		Pawl RH
42	710-0134	1	/P	Carriage Bolt 1/4-20 x .62
43	710-0703	1	/P	Carriage Bolt 1/4-10 x .75
44	912-0397	1	/P	Wing Nut
45	726-0233	1	/P	Bolt Retainer 1/4" x .50" OD
46	731-1832	1		Side Chute
47	931-1833A	1	/P	Mulching Baffle
49	782-0078B-0606	1		Deck Ass'y 21" (w/o logo)
50	918-0263A	1	/P	Transmission Ass'y
51	746-0711B	1	S	SP Cable 51.0" Lg.
52	954-0460	1	/P	V-Belt 3/8 x 39.24" Lg.
53	N/A	1		Pulley & Actuator (6 speed) Refer to Pulley Assembly

12A-996B597 (2009)
Drive Assembly 996

Page 3 of 13

Ref #	Part Number	Qty	S/P/F	Description
54	682-9020A-0606	1		RH Caster Ass'y
55	682-9021A-0606	1		LH Caster Ass'y
56	682-9026-0606	1		Wheel Caster Brkt Ass'y LH
57	710-0260A	1	/P	Carriage Bolt 5/16 x 18 x .62" Lg.
58	911-1146	1	/P	Caster Axle
59	912-0397	1	/P	Wing Nut
60	712-04063	1	/P	Hex Flange L-Nut 5/16-18 Gr. F
61	914-0104	1	/P	Int. Cotter Pin 5/16 DIA
62	726-0214	1	/P	Push Cap 5/8" Dia Rod
63	932-0306A	1	/P	Compression Spring
64	936-0232	1	/P	Spring Washer .530 ID
66	936-0264	1	/P	Flat Washer .344 ID x .625 OD x .063
65	736-0366	1	/P	Flat Washer .63 ID x .12 OD x .12
67	736-0931	1	/P	Flat Washer .203 ID x .406 OD x .040
68	937-3000	1	/P	Grease Fitting
69	741-0685	1		Flange Bearing .631 ID
70	747-0924	1		Pin
71	710-0653	1	/P	Hex Wash HD Tapp Scr 1/4-20 x .38
72	710-0895	1		Screw 1/4-15 X .75
73	731-1828	1		Baffle
74	748-0377C	1	S	Blade Adapter (w/star)
75	736-0524B	1	/P	Bell Blade Support
76	710-1257	1	/P	Hex Bolt 3/8-24 x 2.00 Gr. 8 Spe cial
79	942-0741	1	/P	Blade 21" (w/star)
81	631-0067	1		Chute Assembly Includes Ref No. 82, 83, 84, 85, 86.
82	726-0111	1	/P	Push Cap .188 Rod
83	931-0066	1	/P	Top Chute
84	731-1874	1		Chute Door
85	732-0819	1		Torsion Spring
86	747-0965	1		Pivot Rod
89	734-1857	1	/P	Front Wheel Ass'y 7 x 2 (Link/Blk/BB)
90	734-2044	1	S	Rear Wheel Ass'y 9 x 2.125 Drive/Zag/Blk)
91	731-0981B	1	S	Hub Cap -Grey
92	731-1887	1		Hub Cap -Grey (Front, w/hole)
93	682-9024-0606	1		Wheel Caster Brkt. Ass'y RH

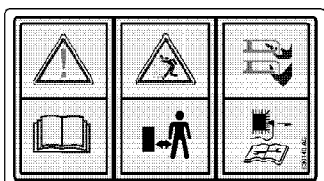


12A-996B597 (2009)
General Assembly

Page 5 of 13

Ref #	Part Number	Qty	S/P/F	Description
1	710-1174	1	/P	Carriage Bolt 5/16-18 x 2.0
2	914-0104	1	/P	Int. Cotter Pin 5/16 DIA
3	720-04072	1	S	Plastic Knob
4	926-0240	1	/P	Cable Tie
5	647-0004	1		Control Bail Lever - Deluxe Black
6	712-04063	1	/P	Flg. Lock Nut 5/16-18 Gr. F Nylon
8	736-0270	1	/P	Cup. Wash. .265 ID x .75 OD x .062
9	746-0674A	1	/P	Throttle Wire 60.0" Lg. Yellow
10	712-0324	1	/P	Hex Ins. Locknut 1/4-20
11	710-1270	1		Mach. Scr. 1/4-20 x 1.319
12	746-0883	1		Cable Bracket
13	710-0703	1	/P	Carriage Bolt 1/4-20 x .75
14	912-0397	1	/P	Wing Nut
15	746-04530	1	S	Control Cable 44.75 Lg. (B&S)
16	753-0717	1	/P	Control Cover
17	731-0924	1		6 Speed Shift Lever
18	913-0397	1	/P	3 Tooth Rack Gear Insert
19	710-1667A	1	/P	C-sunk Tap Screw #10 x .75
20	732-0627	1		Shift Lever Spring
21	16864	1		Rack Cable Bracket
22	753-0717	1	/P	Control Cover
23	753-0717	1	/P	Control Cover
24	731-0620A	1	/P	Control Lever
25	746-0939A	1	S	Pulley Cable 53" Lg.
26	746-0711B	1	S	Clutch Cable - 53" Lg. Orange
27	747-0824-0637	1	/P	Control Bail Lever
28	720-0294	1	/P	Foam Grip
29	749-0439E-0637	1	/P	Upper Handle
30	749-0907B	1	/P	Lower Handle
31	631-0072	1		Grassbag Cover w/Label
32	747-0939	1		Grasscatcher Pivot Rod
33	926-0106	1	/P	Push Cap
34	747-0937-0637	1	/P	Grasscatcher Upper Frame
35	747-0940A-0637	1	/P	Grasscatcher Support Rod
36	964-0076A	1	/P	Grassbag

REF. 777S30140
In Molded Area In Front
Of Handle
On Rear Bagger
(Facing Operator)

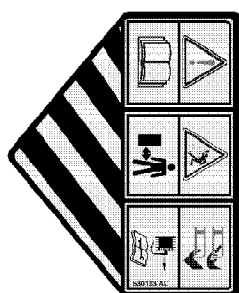


PLACE MODEL PLATE FACING
OPERATORS POSITION

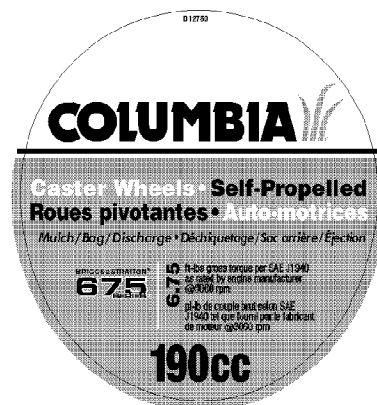
777I20291
On Handle
Bracket Above
Notches



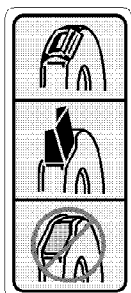
777S30153



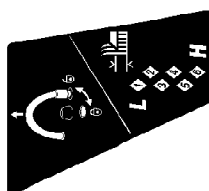
777D12750



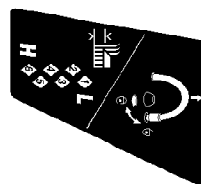
777S30198



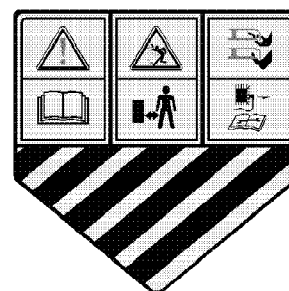
777I20745
Operator's Right



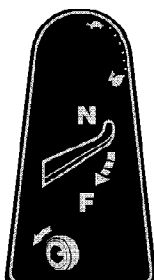
777I20292
Operator's Left



REF. 777S30164
On Side Of The Rear
Discharge Chute
For The Rear Bagger



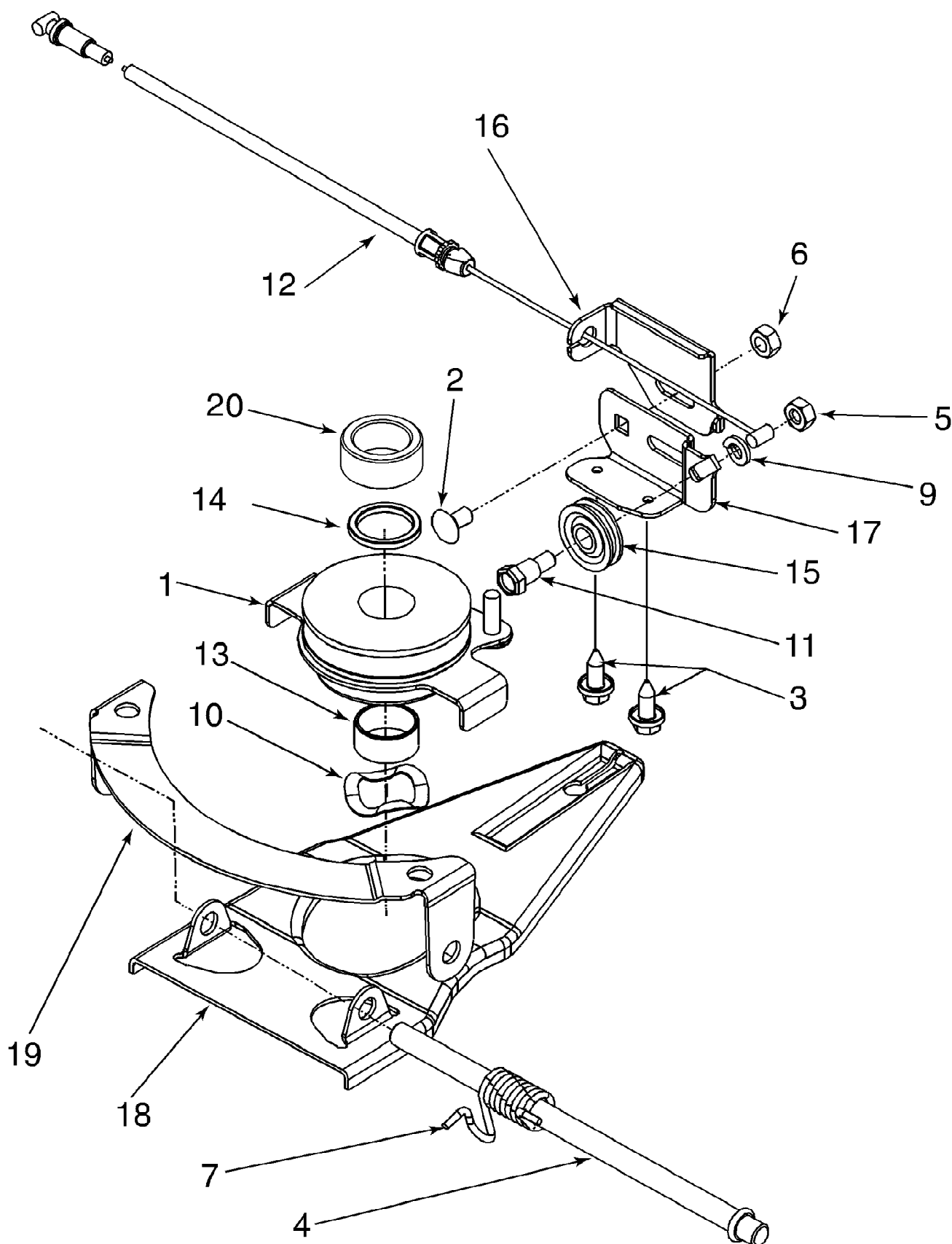
777I20374



12A-996B597 (2009)
Label Map 12A-996B597

Page 7 of 13

Ref #	Part Number	Qty	S/P/F	Description
777S30140	777S30140	1		LABEL-DANGER
777S30153	777S30153	1		LABEL-DANGER CHUTE
777S30198	777S30198	1		LABEL:MOWER
777I20745	777I20745	1		LABEL-CASTOR LOCK
777I20292	777I20292	1		LABEL-CASTOR LOCK
777S30164	777S30164	1		LBL:SAFETY PICT (1112A)
777I20374	777I20374	1		LABEL SIX SPEED
777D12750	777D12750	1		LABEL:MOWER :ENG:CW:996B:597
777I20291	777I20291	1		LABEL-HEIGHT ADJUS

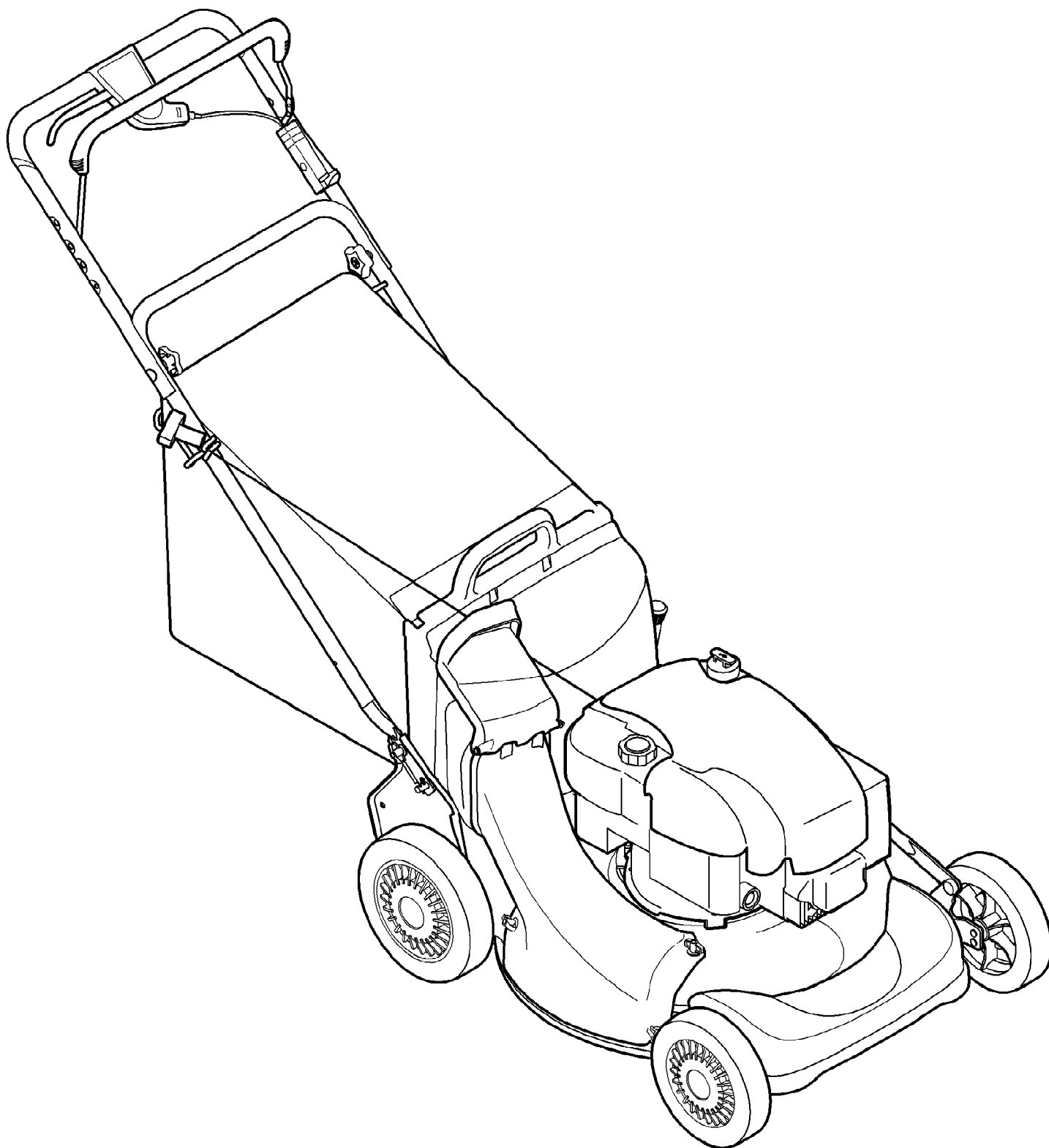


12A-996B597 (2009)
Pulley Assembly

Page 9 of 13

Ref #	Part Number	Qty	S/P/F	Description
1	956-0613A	1	/P	Multi Speed Pulley Ass'y
2	710-0134	1	/P	Carriage Bolt 1/4-20 x .625" Lg. Gr. 2
3	710-1652	1	/P	Hex Wash HD. TT Tap Scr. 1/4-20 x .62
4	711-1114	1		Pivot Shaft
5	912-0138	1	/P	Hex Nut 1/4-28
6	712-04064	1	/P	Flanged Lock Nut 1/4-20 Gr. F Nylon
7	932-0807	1	/P	Torsion Spring LH
9	936-0329	1	/P	L-Wash 1/4 ID
10	936-0526	1	/P	Wave Washer .88 ID x 1.38 OD x .029
11	738-0924A	1	/P	Hex Shld.Scr.1/4-28 x .375
12	746-0939A	1	S	Pulley Cable 53" Lg.
13	950-1070	1	/P	Sleeve Spacer .88 ID x 1.0 OD x .48
14	950-1071	1	/P	Sleeve Spacer .88 ID x 1.13 OD x .12
15	756-0625	1		Cable Guide Roller
16	782-7574A-0637	1	/P	Cable Adjustment Bracket
17	782-7575A-0637	1	S	Cable Mounting Bracket
18	782-7596A-0637	1	S	Control Arm
19	782-7597	1	/P	Pivot Bracket

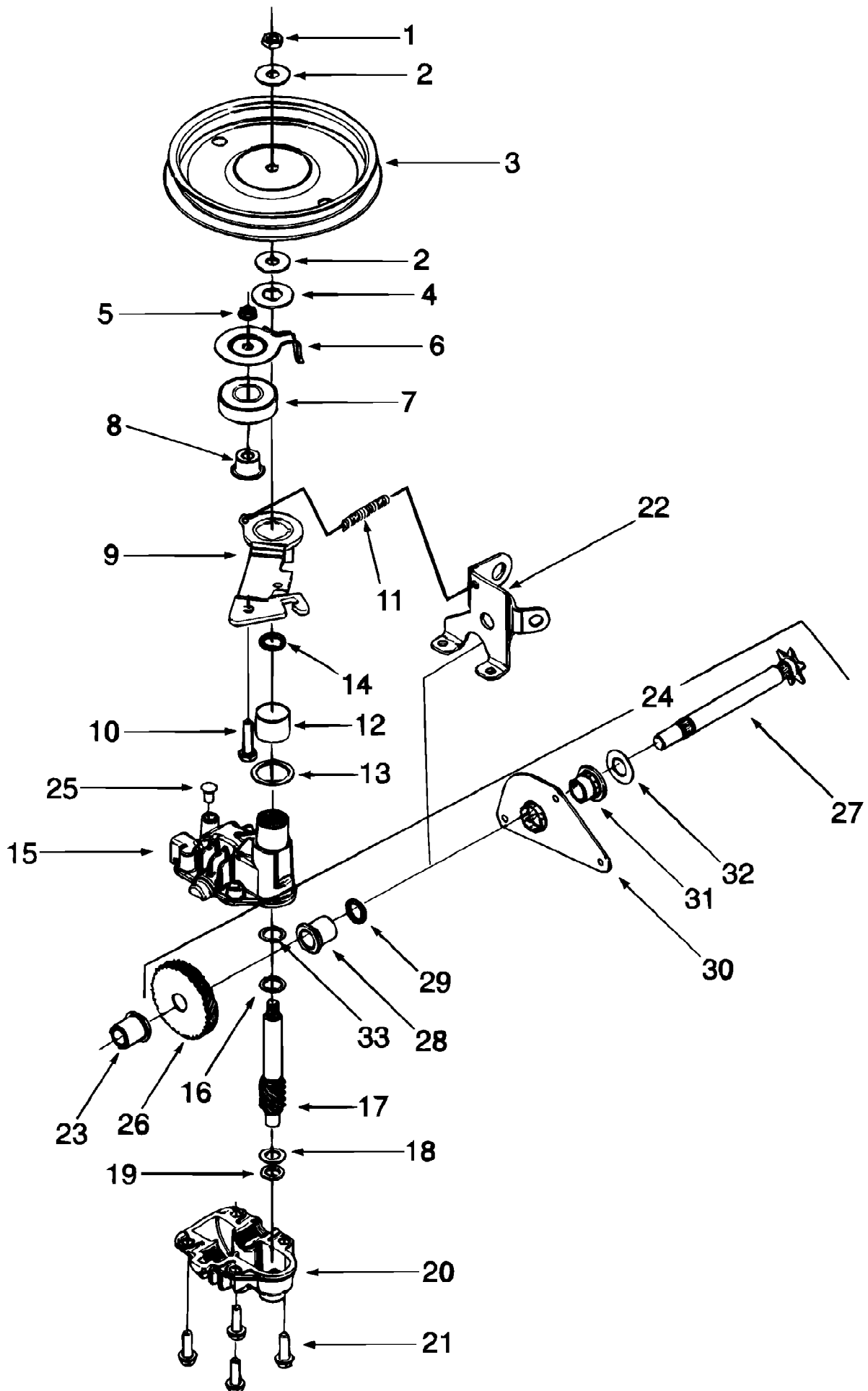
12A-996B597 (2009)
Quick Reference 12A-996B597



12A-996B597 (2009)
Quick Reference 12A-996B597

Page 11 of 13

Ref #	Part Number	Qty	S/P/F	Description
	BS-697451	1		Spark Plug
	BS-493537S	1	/P	Pre Filter
	BS-491588S	1	/P	Air Filter
	N/A	1		Fuel Filter
	BS-793606	1	S	Fuel Cap
	746-04530	1	S	Control Cable
	746-0711B	1	S	Speed Cable
	746-0674A	1	/P	Throttle Speed Cable
	746-0939A	1	S	Pulley Cable
	746-0711B	1	S	Clutch Cable
	748-0377C	1	S	Blade Adapter
	942-0741	1	/P	Blade
	736-0524B	1	/P	Blade Bell Support
	710-1257	1	/P	Blade Bolt
	734-1857	1	/P	Wheels - Front
	734-2044	1	S	Wheels - Rear
	731-1901A	1	/P	Trailshield
	731-1832	1		Discharge Chute
	931-1833A	1	/P	Mulch Plug
	964-0076A	1	/P	Grass Bag
	747-0937-0637	1	/P	Grass Bag Frame



12A-996B597 (2009)
Transmission Assembly

Page 13 of 13

Ref #	Part Number	Qty	S/P/F	Description
1	712-3025	1		Hex Jam Nut 5/16-24
2	936-0425	1	/P	Cupped Washer .325 ID x .930 OD x .04
3	756-0656	1	/P	Pulley
4	736-3084	1	/P	Fl. Washer .510 x 1.120 x .060
5	712-0896	1		Hex Ins Jam L-Nut 1/4-28
6	782-7598	1		Belt Keeper
7	941-0124	1	S	Ball Bearing 17 x 40 x 12 mm
8	750-1050	1		Flange Spacer
9	982-0027A	1	/P	Idler Bracket Ass'y
10	710-0299	1		Hex Bolt 1/4-28 x 1" Lg
11	932-0849A	1	/P	Extension Spring 0.33 OD x 1.25
12	741-0682A	1	/P	Bearing Sleeve
13	936-0570	1	/P	Fl. Washer .885 x 1.145 x .030
14	921-0329	1	/P	Oil Seal
15	618-0253	1		Upper Housing Ass'y
16	936-0616	1	/P	Thrust Washer .510 ID x .750 OD x .033
17	917-1487	1	/P	Pinion Shaft 10 T
18	936-0314	1	/P	Thrust Washer .382 ID x .70 OD
19	936-0569	1	/P	Thrust Washer .388 x .625 x .062
20	918-0252	1	/P	Lower Housing Ass'y
21	710-0642	1	/P	Thd Forming Scr. 1/4-20 x .75
22	782-7601A-0637	1	/P	Cable Bracket
23	941-0674	1	/P	Bearing
24	911-0066	1	/P	Shaft Ass'y
25	721-0325	1		Plug
26	717-1469	1		Gear 34 T
27	711-1168	1		Out put Shaft 6 T
28	941-0673	1	/P	Flange Bearing
30	782-7595	1		Pivot Bracket
31	741-0324A	1	/P	Flange Bearing .506 ID
32	936-0369	1	/P	Washer, Flat .505 ID x 1.0
33	741-0690	1		Thrust Bearing .507 ID x .750 OD x .0625