

11A-549Q897 (2010)
General Assembly

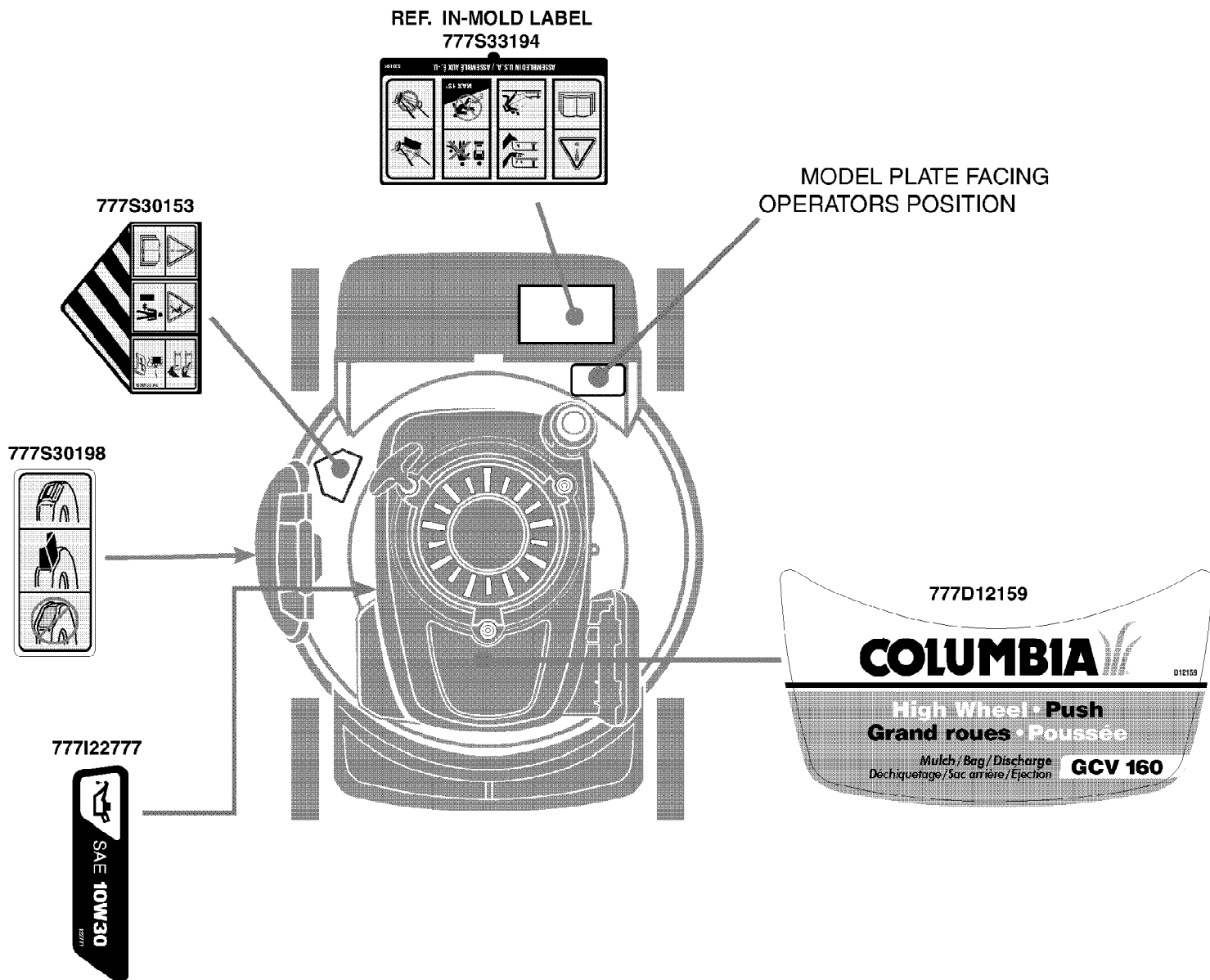
Page 2 of 7

Ref #	Part Number	Qty	S/P/F	Description
1	747-1161A-0637	1	/P	Blade Control Handle - Black
2	749-1092A-0637	1	/P	Upper Handle - Black
3	747-04080A-0637	1	/P	Catcher Lower Frame
4	749-0928A-0637	1	/P	Lower Handle
5	720-0279	1	/P	Knob 1/4-20
6	710-1205	1	/P	Rope Guide Bolt
7	710-1174	1	/P	Curved Carriage Bolt 5/16-18 x 2.00
8	964-04007A	1	/P	Generic Grasscatcher Bag - Black
9	736-0182	1	/P	Spring Wash. .5 x 1.0 (w/2" side rear wheels)
10	710-0606	1	/P	Hex Cap Screw 1/4-20 x 1.5" Lg.
11	926-0240	1	/P	Cable Tie
12	710-0703	1	/P	Carriage Bolt 1/4-20 x .75 Gr. 1
13	731-06885	1		RB Chute Door
16	732-04090A	1		RH Torsion Spring
17A	N/A	1		Not used in this application
17B	734-04093	1		Wheel Ass'y Comp. 12 x 2.125 Idle Zag Grey
18	731-04150C	1	/P	RR Baffle
19	720-04072	1	S	Knob - Star 5/16-18
20	787-01279-0606	1		21" Deck Ass'y (w/ side discharge)
22	782-5002B	1	/P	Front Baffle 21"
23A	748-04082	1	/P	Blade Adapter 25 mm x 2.15 (w/star)
23B	N/A	1		Not used in this application
24	942-0741	1	/P	21" Mulching Blade (w/star)
25	710-1257	1	/P	Hex Bolt 3/8-24 x 2.5" Lg. Gr. 8
26	987-02337	1	/P	Pivot Bar RH
26	987-02336	1	/P	Pivot Bar LH
27	736-0524B	1	/P	Blade Bell Support
28	787-01290A	1	/P	Height Adjuster Plate
29	720-0426	1	/P	Knob
30	94832	1	/P	Spring Lever Ass'y
31	738-04266	1		Shoulder Screw .50 Dia. x .385
32	734-02004A	1		Wheel Ass'y 8 x 2.125 Idle Zab BB
33	710-1241	1		Hex. L-Scr. 1/4-15 x 1.0
34	746-1130	1	S	Control Cable 40.0" Lg. (w/Honda & B&S)
36	731-05642A	1	/P	Rear Flap
37	712-04064	1	/P	Flange Locknut 1/4-20
38	912-0397	1	/P	Wingnut 1/4-20
39	747-04588	1		Pivot Rod
40	732-0866	1		Spring Lever SP (w/o knob)
41	987-02039A	1	/P	Pivot Bar RH SP
41	987-02040A	1	/P	Pivot Bar LH SP (not shown)
42	710-1652	1	/P	Hex HD. TT Tap Scr. 1/4-20 x 5/8
43	712-04065	1	/P	Flange Locknut 3/8-16
44	914-0104	1	/P	Int. Cotter Pin 5/16 DIA
45	710-0654A	1	/P	Hex Wash HD Tap Scr 3/8-16 x .88
46	987-02075B	1	/P	Height Adj. Ass'y LH (w/8" Front Wheels)
46	987-02074B	1	/P	Height Adj. Ass'y RH (w/8" Front Wheels)
47	731-04859	1		Snap-On Bail Cover - Grey
48	987-02280A	1	/P	LH Rear Height Adj. Ass'y Complete
48	987-02279A	1	/P	RH Rear Height Adj. Ass'y Complete
49	987-02280A	1	/P	LH Height Adj. Brkt.
49	987-02279A	1	/P	RH Height Adj. Brkt.
50	736-0182	1	/P	Spring Wash. .50 ID x 1.0 OD x .022

11A-549Q897 (2010)
General Assembly

Page 3 of 7

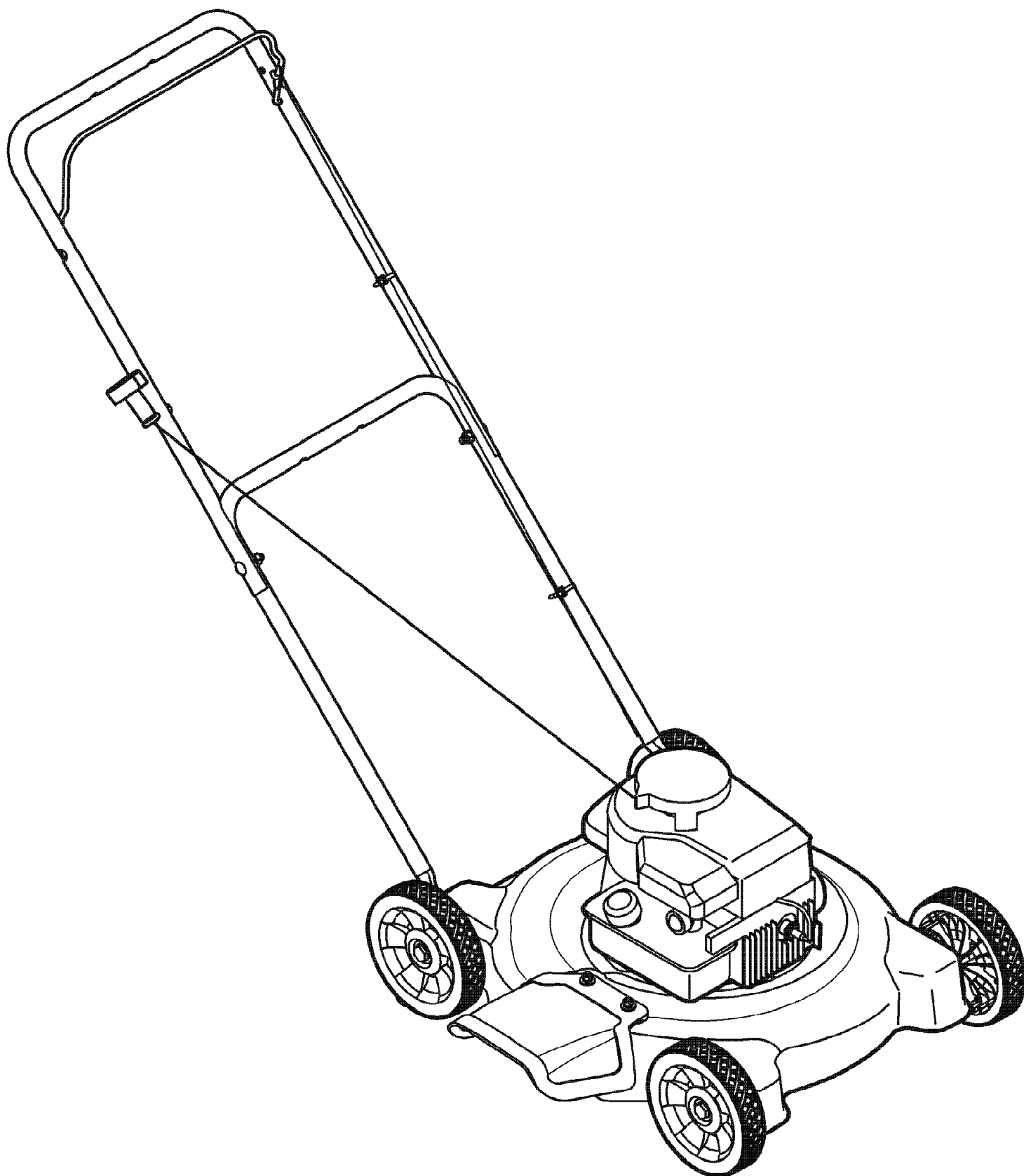
Ref #	Part Number	Qty	S/P/F	Description
51	987-02055	1	/P	Complete Hinged Mulching Plug Ass'y
52	732-1014	1		Torsion Spring
53	747-0710	1	S	Hinge Pin
54	731-04177	1	/P	Chute Deflector
55	17032A	1	/P	Chute Adapter
56	710-0599	1	/P	Hex Wash S-Tapp Scr 1/4-20 x .50
57	736-0270	1	/P	Cupped Washer .265 ID x .75 OD x .062
58	710-04577	1		Screw
59	731-05889	1		Shroud (w/MTD Engine)
60	936-0504	1	/P	Wave Washer .510 x .750 x .017
61	710-0216	1	/P	Hex Hd. Cap Screw 3/8-16 x .75
62	720-0312	1		Knob
63	731-07049	1		Hub Cap - Grey w/snaps



11A-549Q897 (2010)
Label Map

Page 5 of 7

Ref #	Part Number	Qty	S/P/F	Description
777S33194	N/A	1		LABEL:MOWER :IN MLD:BG DR:AUSA:CDN Mold-In Graphic
777S30153	777S30153	1		LABEL-DANGER CHUTE
777S30198	777S30198	1		LABEL:MOWER
777I22777	777I22777	1		LABEL-10W30 ENG SHROUD
777D12159	777D12159	1		LABEL-ENG SHROUD COLUMBIA 549Q



11A-549Q897 (2010)
Quick Reference

Page 7 of 7

Ref #	Part Number	Qty	S/P/F	Description
	490-250-0009	1		Spark Plug
	N/A	1		Pre Filter
	17211-ZL8-023	1		Air Filter
	N/A	1		Fuel Filter
	746-1130	1	S	Control Cable
	N/A	1		Choke Cable
	748-04226	1	S	Blade Adapter
	942-0641	1	/P	Blade
	736-0524B	1	/P	Blade Bell Support
	710-1257	1	/P	Blade Bolt
	734-2005A	1	S	Wheels - Front
	734-04093	1		Wheels - Rear
	731-05642A	1	/P	Trailshield
	731-04177	1	/P	Discharge Chute
	987-02055	1	/P	Mulch Plug
	964-04007A	1	/P	Grass Bag
	747-04080A-0637	1	/P	Grass Bag Frame