

11A-549Q597 (2009)
General Assembly

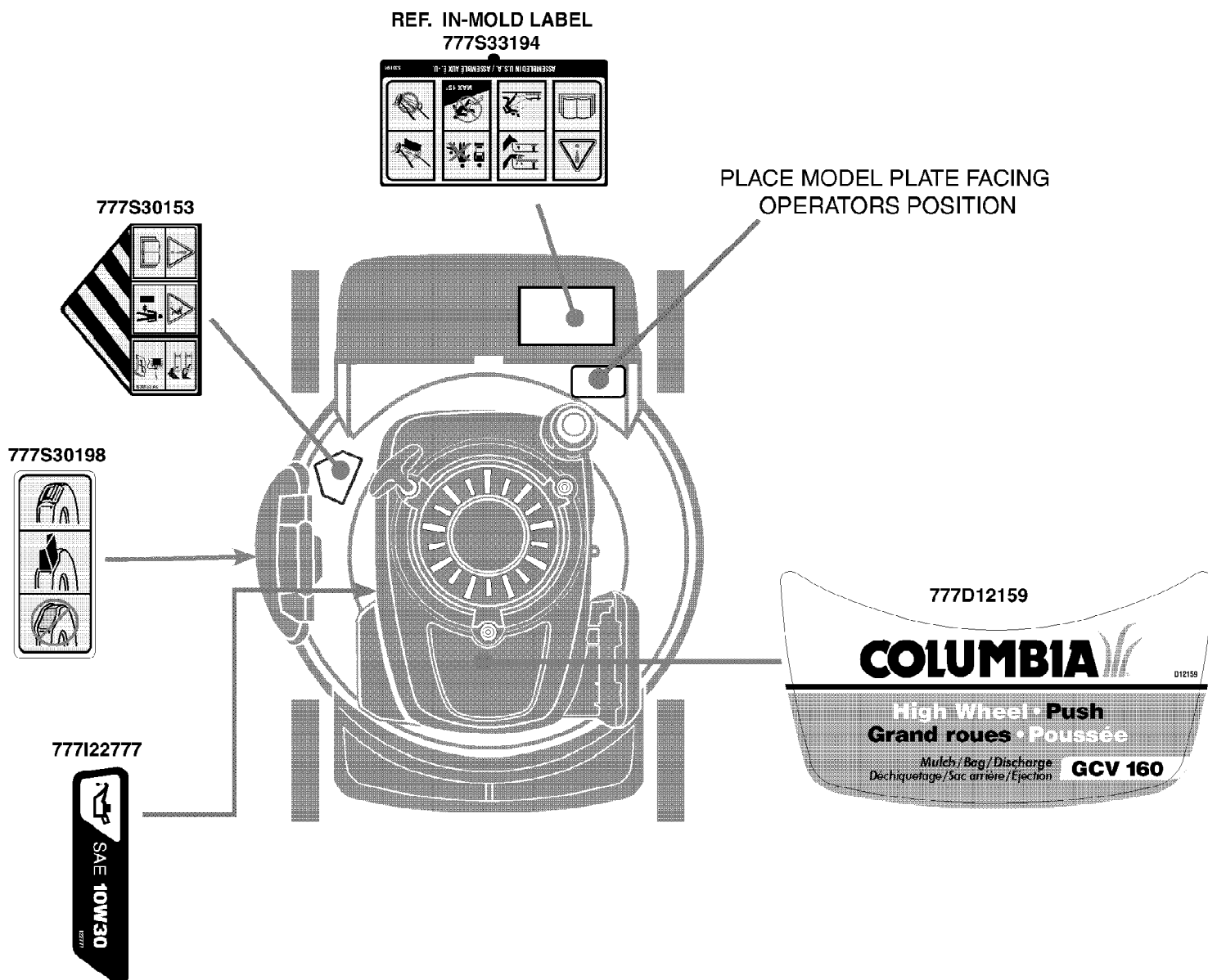
Page 2 of 7

| Ref # | Part Number | Qty | S/P/F | Description |
|-------|-----------------|-----|-------|---|
| 1 | 747-1161A-0637 | 1 | /P | Blade Control Handle - Black |
| 2 | 749-1092A-0637 | 1 | /P | Upper Handle - Black |
| 3 | 747-04080A-0637 | 1 | /P | Catcher Lower Frame |
| 4 | 749-0928A-0637 | 1 | /P | Lower Handle |
| 5 | 720-0279 | 1 | /P | Knob 1/4-20 |
| 6 | 710-1205 | 1 | /P | Rope Guide Bolt |
| 7 | 710-1174 | 1 | /P | Curved Carriage Bolt 5/16-18 x 2.00 |
| 8 | 964-04007A | 1 | /P | Generic Grasscatcher Bag - Black |
| 9 | 736-0182 | 1 | /P | Spring Wash. .5 x 1.0 (w/2" side rear whls) |
| 10 | 710-0606 | 1 | /P | Hex Cap Screw 1/4-20 x 1.5" Lg. |
| 11 | 926-0240 | 1 | /P | Cable Tie |
| 12 | 710-0703 | 1 | /P | Carriage Bolt 1/4-20 x .75 Gr. 1 |
| 13 | 731-06885 | 1 | | RB Chute Door |
| 16 | 732-04090A | 1 | | RH Torsion Spring |
| 17A | 734-04082 | 1 | /P | Wheel Ass'y Comp.12 x 1.8 Bar Grey |
| 17A | 734-04089 | 1 | /P | Wheel Ass'y Comp.12 x 1.8 Bar Yellow |
| 17B | 734-04093 | 1 | | Wheel Ass'y Comp.12 x 2.125 Idle Zag Grey |
| 18 | 731-04150C | 1 | /P | RR Baffle |
| 19 | 720-04072 | 1 | S | Knob - Star 5/16-18 |
| 20 | 787-01279-0606 | 1 | | 21" Deck Ass'y (w/ side dis charge) |
| 22 | 782-5002B | 1 | /P | Front Baffle 21" |
| 23A | 748-04082 | 1 | /P | Blade Adapter 25 mm x 2.15 (w/star) |
| 23B | 748-0377C | 1 | S | Blade Adapter #6 x 2.15 (w/star) |
| 24 | 942-0641 | 1 | /P | 21" Blade (w/star) |
| 24 | 942-0741 | 1 | /P | 21" Mulching Blade (w/star) |
| 25 | 710-1257 | 1 | /P | Hex Bolt 3/8-24 x 2.5" Lg. Gr. 8 |
| 26 | 987-02337 | 1 | /P | Pivot Bar RH |
| 26 | 987-02336 | 1 | /P | Pivot Bar LH |
| 27 | 736-0524B | 1 | /P | Blade Bell Support |
| 28 | 787-01290A | 1 | /P | Height Adjuster Plate |
| 29 | 720-0426 | 1 | /P | Knob |
| 30 | 94832 | 1 | /P | Spring Lever Ass'y |
| 31 | 738-04266 | 1 | | Shoulder Screw .50 Dia. x .385 |
| 32 | 734-2005A | 1 | S | Wheel Ass'y 8 x 2.125 Idle Zab |
| 32 | 734-1987 | 1 | /P | Wheel Ass'y 8 x 1.8 Spoke Bar Grey |
| 32 | 734-04086 | 1 | /P | Wheel Ass'y 7 x 1.8 Bar (Yellow) |
| 33 | 710-1241 | 1 | | Hex. L-Scr. 1/4-15 x 1.0 |
| 34 | 746-1130 | 1 | S | Control Cable 40.0" Lg. (w/Honda & B&S) |
| 36 | 731-05642A | 1 | /P | Rear Flap |
| 37 | 712-04064 | 1 | /P | Flange Locknut 1/4-20 |
| 38 | 912-0397 | 1 | /P | Wingnut 1/4-20 |
| 39 | 747-04588 | 1 | | Pivot Rod |
| 40 | 732-0866 | 1 | | Spring Le ver SP (w/o knob) |
| 41 | 987-02039A | 1 | /P | Pivot Bar RH SP |
| 41 | 987-02040A | 1 | /P | Pivot Bar LH SP (not shown) |
| 42 | 710-1652 | 1 | /P | Hex HD. TT Tap Scr. 1/4-20 x 5/8 |
| 43 | 712-04065 | 1 | /P | Flange Locknut 3/8-16 |
| 44 | 914-0104 | 1 | /P | Int. Cotter Pin 5/16 DIA |
| 45 | 710-0654A | 1 | /P | Hex Wash HD Tap Scr 3/8-16 x .88 |
| 46 | 987-02075B | 1 | /P | Height Adj. Ass'y LH (w/8" Front Wheels) |
| 46 | 987-02074B | 1 | /P | Height Adj. Ass'y RH (w/8" Front Wheels) |
| 47 | 731-04859 | 1 | | Snap-On Bail Cover - Grey |
| 47 | 731-04204 | 1 | | Snap-On Bail Cover - Red |

11A-549Q597 (2009)
General Assembly

Page 3 of 7

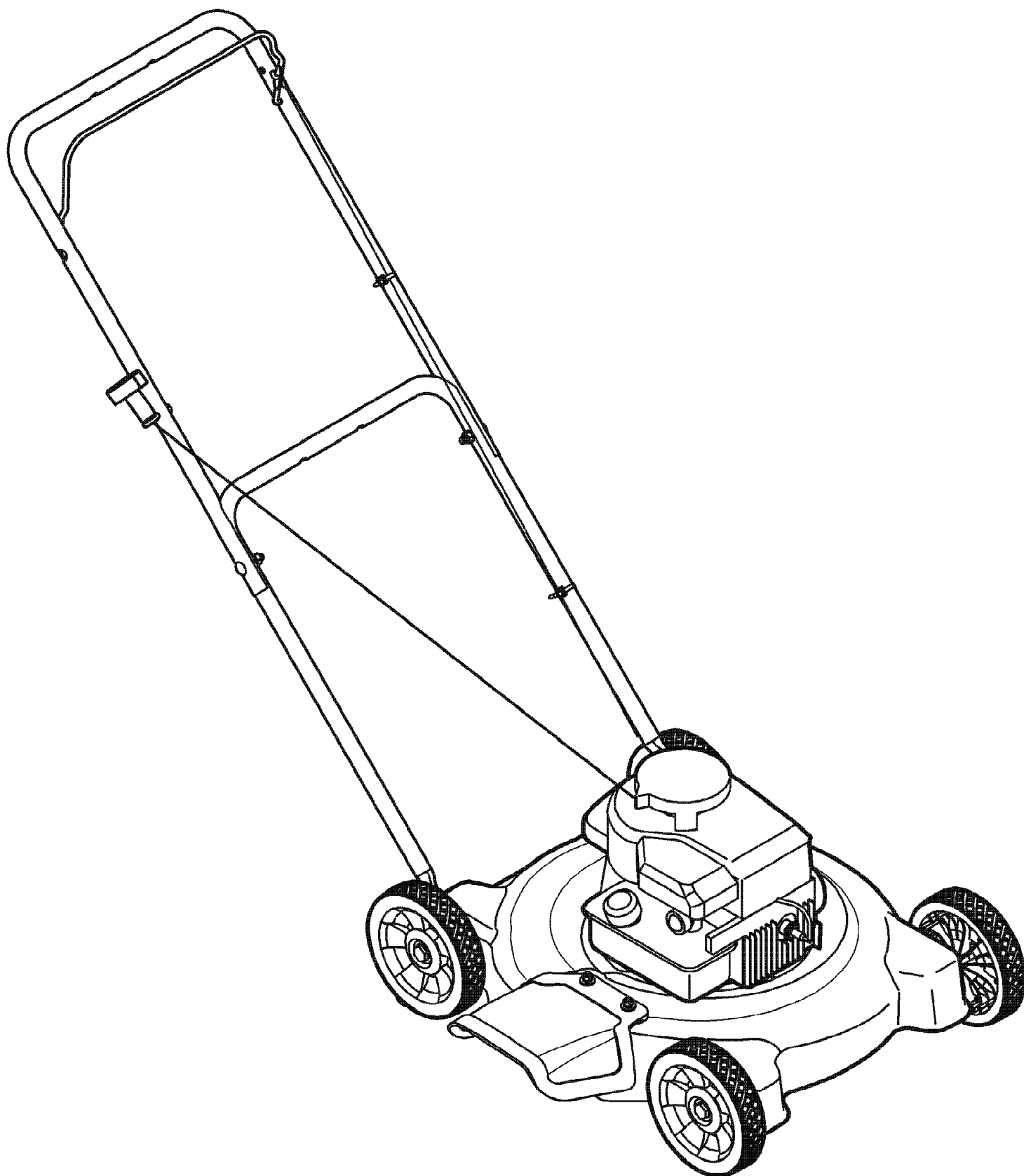
| Ref # | Part Number | Qty | S/P/F | Description |
|-------|-------------|-----|-------|---------------------------------------|
| 47 | 731-2626 | 1 | | Snap-On Bail Cover - Black |
| 48 | 987-02280A | 1 | /P | LH Rear Height Adj. Ass'y Complete |
| 48 | 987-02279A | 1 | /P | RH Rear Height Adj. Ass'y Complete |
| 49 | 987-02280A | 1 | /P | LH Height Adj. Brkt. |
| 49 | 987-02279A | 1 | /P | RH Height Adj. Brkt. |
| 50 | 736-0182 | 1 | /P | Spring Washer .50 ID x 1.0 OD x .022 |
| 51 | 987-02055 | 1 | /P | Complete Hinged Mulching Plug Ass'y |
| 52 | 732-1014 | 1 | | Torsion Spring |
| 53 | 747-0710 | 1 | S | Hinge Pin |
| 54 | 731-04177 | 1 | /P | Chute Deflector |
| 55 | 17032A | 1 | /P | Chute Adapter |
| 56 | 710-0599 | 1 | /P | Hex Wash S-Tapp Scr 1/4-20 x .50 |
| 57 | 736-0270 | 1 | /P | Cupped Washer .265 ID x .75 OD x .062 |
| 58 | 710-04577 | 1 | | Screw |
| 59 | 731-05889 | 1 | | Shroud (w/MTD Engine) |
| 60 | 936-0504 | 1 | /P | Wave Washer .510 x .750 x .017 |
| 61 | 710-0216 | 1 | /P | Hex Hd. Cap Screw 3/8-16 x .75 |
| 62 | 720-0312 | 1 | | Knob |
| 63 | 731-0981C | 1 | /P | Hub Cap - Grey |



11A-549Q597 (2009)
Label Map

Page 5 of 7

| Ref # | Part Number | Qty | S/P/F | Description |
|-----------|-------------|-----|-------|---|
| 777S33194 | N/A | 1 | | LABEL:MOWER :IN MLD:BG DR:AUSA:CDN Mold-In Graphic |
| 777S30153 | 777S30153 | 1 | | LABEL-DANGER CHUTE |
| 777S30198 | 777S30198 | 1 | | LABEL:MOWER |
| 777I22777 | 777I22777 | 1 | | LABEL-10W30 ENG SHROUD |
| 777D12159 | 777D12159 | 1 | | LABEL-ENG SHROUD COLUMBIA 549Q |



11A-549Q597 (2009)
Quick Reference

Page 7 of 7

| Ref # | Part Number | Qty | S/P/F | Description |
|-------|-----------------|-----|-------|--------------------|
| | 490-250-0009 | 1 | | Spark Plug |
| | N/A | 1 | | Pre Filter |
| | 17211-ZL8-023 | 1 | | Air Filter |
| | N/A | 1 | | Fuel Filter |
| | 746-1130 | 1 | S | Control Cable |
| | N/A | 1 | | Choke Cable |
| | 748-04226 | 1 | S | Blade Adapter |
| | 942-0641 | 1 | /P | Blade |
| | 736-0524B | 1 | /P | Blade Bell Support |
| | 710-1257 | 1 | /P | Blade Bolt |
| | 734-2005A | 1 | S | Wheels - Front |
| | 734-04093 | 1 | | Wheels - Rear |
| | 731-05642A | 1 | /P | Trailshield |
| | 731-04177 | 1 | /P | Discharge Chute |
| | 987-02055 | 1 | /P | Mulch Plug |
| | 964-04007A | 1 | /P | Grass Bag |
| | 747-04080A-0637 | 1 | /P | Grass Bag Frame |