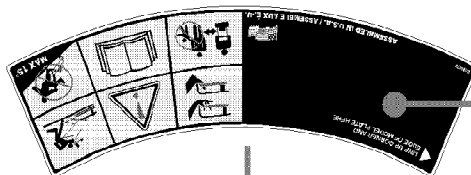


11A-504A597 (2009)
General Assembly

Page 2 of 6

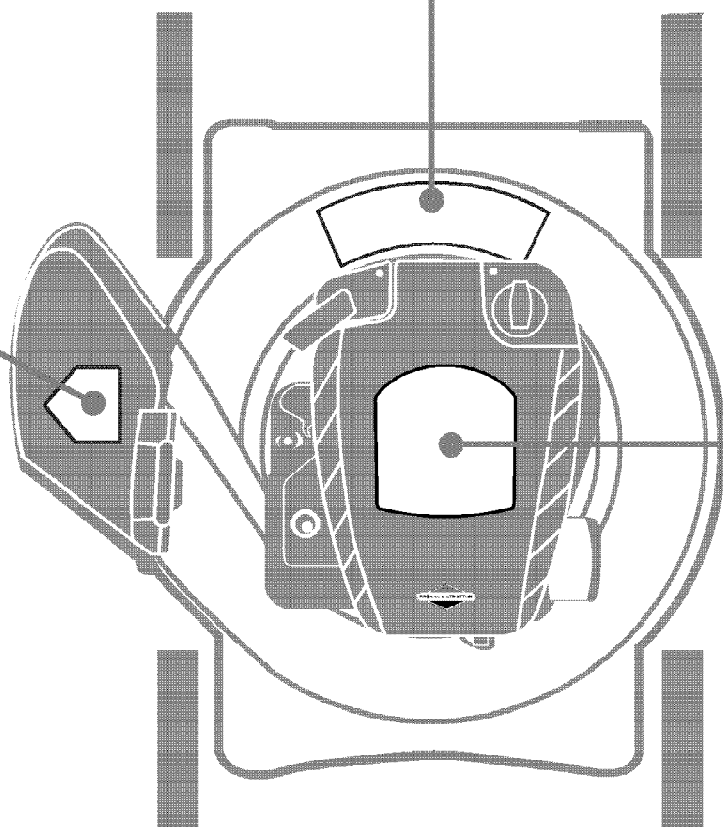
| Ref # | Part Number | Qty | S/P/F | Description |
|-------|-----------------|-----|-------|-------------------------------------|
| 1 | 710-1205 | 1 | /P | Rope Guide Bolt |
| 2 | 720-0279 | 1 | /P | Knob - ERS Guide 1/4-20 |
| 3 | 747-1161A-0637 | 1 | /P | Blade Control Handle |
| 4 | 749-1092A-0637 | 1 | /P | Upper Handle |
| 5 | 746-0957 | 1 | S | Control Cable 37.25 " Lg. (w/B&S) |
| 6 | 749-04037 | 1 | /P | Lower Handle |
| 7 | 725-0157 | 1 | /P | Cable Tie |
| 8 | 687-02048A-0606 | 1 | | Deck Assembly 22" (with out logo) |
| 9 | 710-0654A | 1 | /P | Hex Wash HD Tap Scr 3/8-16 x .88 |
| 10B | 748-0376C | 1 | /P | Blade Adapter #6 x 1.19 |
| 11 | 942-0742A | 1 | /P | Mulching Blade 22" |
| 12 | 736-0524B | 1 | /P | Blade Bell Support |
| 13 | 710-1044 | 1 | /P | Hex Screw 3/8-24 x 1.5" Lg. (Gr. 8) |
| 14 | 712-04065 | 1 | /P | Flanged Lock Nut 3/8-16 |
| 15 | 741-0717 | 1 | | Thrust Bearing .688 ID x 1.938 OD |
| 16 | 687-02344 | 1 | | RH Rear Pivot Arm Assembly |
| 16 | 687-02343 | 1 | | LH Rear Pivot Arm Assembly |
| 17 | 987-02051 | 1 | /P | Front Height Lever Ass'y (w/knob) |
| 17 | 732-1026 | 1 | | Spring Lever |
| 18 | 736-0741 | 1 | /P | Cupped Washer .401 ID x .870 OD |
| 19 | 738-1172 | 1 | /P | Shoulder Screw 3/8-16 |
| 20 | 734-04176 | 1 | S | Wheel Ass'y 7 x 2.125 Idle BB Zag |
| 21 | 710-0599 | 1 | /P | Hex Wash S-Tapp Scr 1/4-20 x .50 |
| 22 | 736-0270 | 1 | /P | Cupp. Wash. .265 ID x .75 OD x .062 |
| 23 | 710-0216 | 1 | /P | Hex Cap Screw 3/8-16 x .75 |
| 24 | 738-04267 | 1 | | Shoulder Screw |
| 25 | 734-04093 | 1 | | Wheel Ass'y 12 x 2.15 Idle Zag |
| 26 | 982-3062A | 1 | /P | RH Handle Bracket Assembly |
| 26 | 982-3063A | 1 | /P | LH Handle Bracket Assembly |
| 27 | 720-04072 | 1 | S | Knob - Star 5/16-18 |
| 28 | 731-2537 | 1 | /P | Trail Shield |
| 29 | 17098P | 1 | /P | Hinge Clip |
| 30 | 710-1174 | 1 | /P | Carriage Bolt 5/16-18 x 2.0 |
| 31 | 720-0426 | 1 | /P | Height Adjuster Knob |
| 32 | 687-02052 | 1 | | Rear Height Lever Ass'y (w/knob) |
| 32 | 732-0984B | 1 | /P | Rear Spring Lever |
| 33 | 732-1014 | 1 | | Torsion Spring |
| 34 | 17032A | 1 | /P | Deflector Chute Adapter |
| 35 | 747-0710 | 1 | S | Hinge Pin |
| 36 | 931-1034B | 1 | /P | Side Dis. Chute Ass'y |
| 37 | 631-04045 | 1 | /P | Mulch Plug |
| 38 | 687-02342 | 1 | | Front Pivot Bar |
| 39 | 741-04242 | 1 | | Height Adjuster Bearing |
| 40 | 736-0182 | 1 | /P | Spring Wash. .5 x 1.0 |
| 41 | 936-0504 | 1 | /P | Wave Washer .51" ID |
| 43 | 731-2626 | 1 | | Snap-On Bail Cover (optional) |
| 44 | 931-1034B | 1 | /P | Chute Deflector |
| 45 | 731-0981C | 1 | /P | Hub Cap Grey Radial (optional) |

777CS00078
Facing Operator

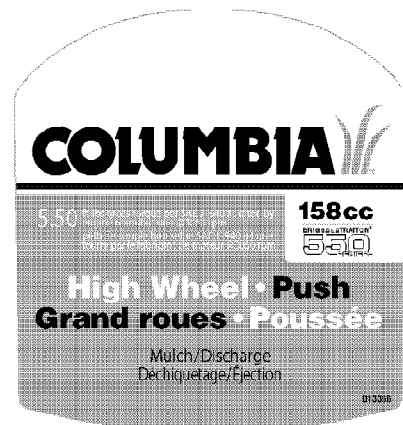


Model Plate
On Left Side

REF. 777S30579

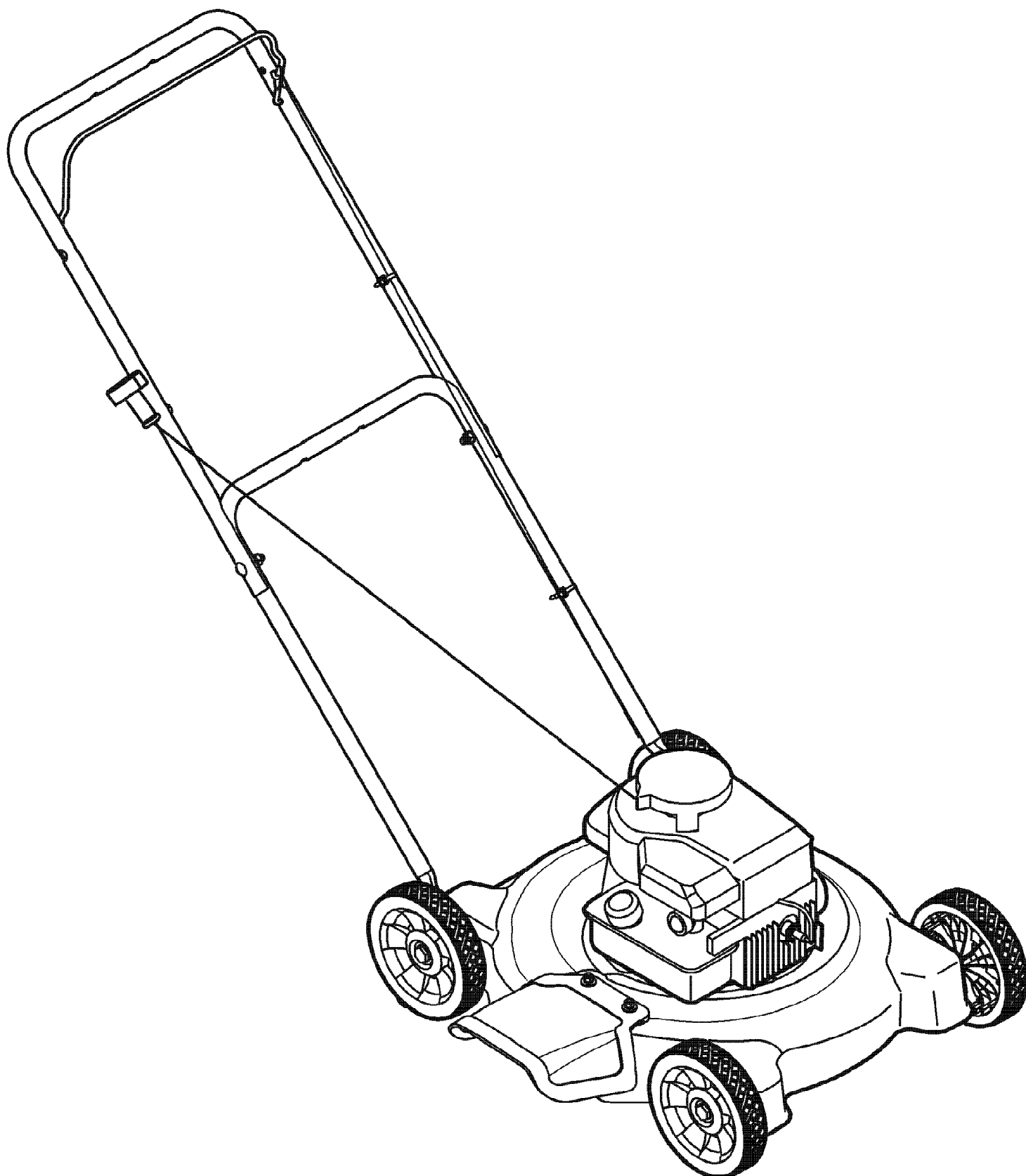


777D13366



11A-504A597 (2009)
Label Map

| Ref # | Part Number | Qty | S/P/F | Description |
|------------|-------------|-----|-------|-----------------------------------|
| 777S30579 | 777S30579 | 1 | | LABEL-DECK DANGER |
| 777CS00078 | 777CS00078 | 1 | | LABEL-MWR DNGR CRVD PICTORIAL CDN |
| 777D13366 | 777D13366 | 1 | | LABEL-MWR:Q SHRD:COLUMBIA HW |



11A-504A597 (2009)
Quick Reference

Page 6 of 6

| Ref # | Part Number | Qty | S/P/F | Description |
|-------|--------------|-----|-------|--------------------|
| | 759-3338 | 1 | /P | Spark Plug |
| | N/A | 1 | | Pre Filter |
| | 490-200-0011 | 1 | /P | Air Filter |
| | N/A | 1 | | Fuel Filter |
| | 746-0957 | 1 | S | Control Cable |
| | N/A | 1 | | Choke Cable |
| | 748-04224 | 1 | S | Blade Adapter |
| | 942-0742A | 1 | /P | Blade |
| | 736-0524B | 1 | /P | Blade Bell Support |
| | 710-1044 | 1 | /P | Blade Bolt |
| | 734-04176 | 1 | S | Wheels - Front |
| | 734-04093 | 1 | | Wheels - Rear |
| | 731-2537 | 1 | /P | Trailshield |
| | 931-1034B | 1 | /P | Discharge Chute |
| | 631-04045 | 1 | /P | Mulch Plug |
| | N/A | 1 | | Grass Bag |
| | N/A | 1 | | Grass Bag Frame |