



Supplement Sheet

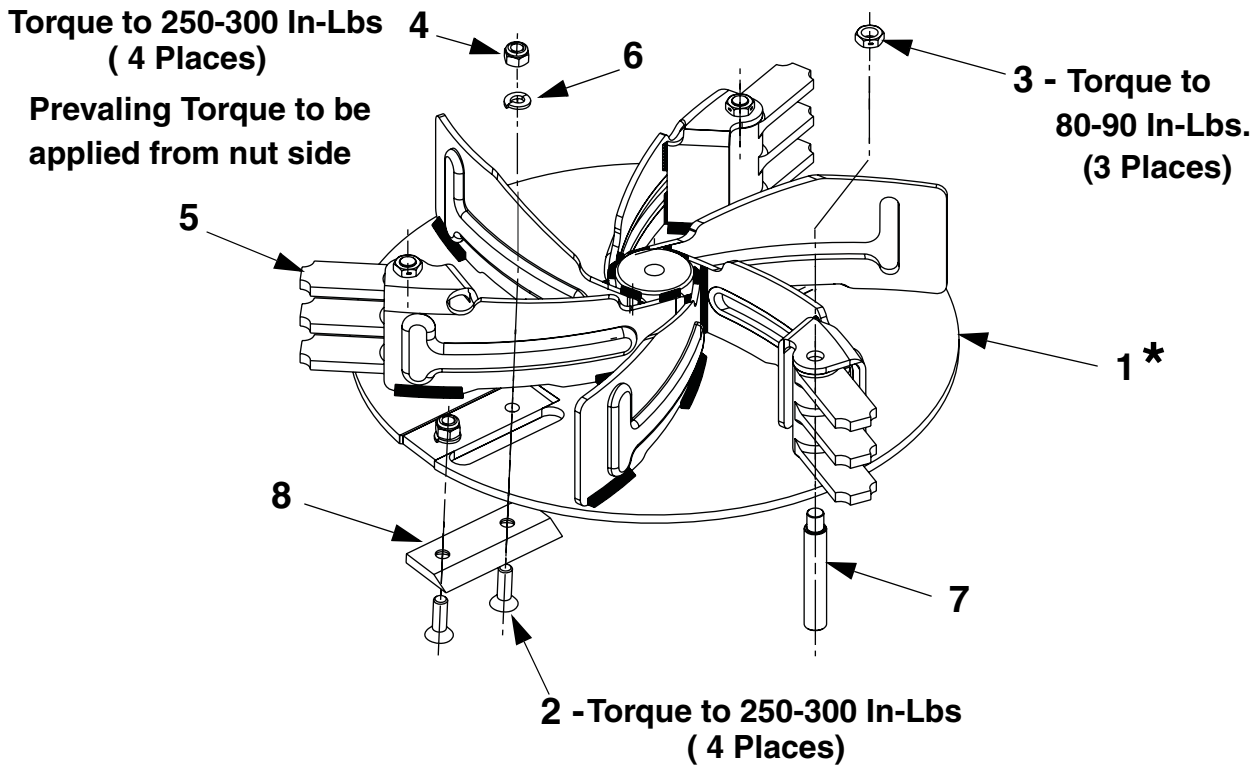
Date: 7/17/2008

Subject: 981-04090 Impellor Assembly (Complete)

Models Affected: N/A

PURPOSE: This supplement sheet is provided to define those components of the 681-04090 Service Assembly (Complete) that are available as service replacement parts.

NOTE: Save this Supplement Sheet. Refer to it when ordering replacement parts.



9	769-04226 *	1	THIS SUPPLEMENT SHEET
8	781_0490	2	BLADE:CHIPPER
7	738_04286	3	PIN:SHLDR:.5 X 2.625:3/8-16
6	736_0119	4	WASH:LOCK:5/16:REGULAR DUTY
5	719_04308	3	BLADE:FLAIL
4	712_0411	4	NUT:HEXLK:5/16-24:GR8:NYLON
3	712_0266A	3	NUT:JAMLK:3/8-16:GR5
2	710_1054	4	SCR:MACH:5/16-24:1.000:CSK HEX
1	*	1	IMPLR ASM:CSV:S/P (WELDMENT)
ITEM NO.	PART NO.	QTY	DESCRIPTION

* - Not Available Separately