

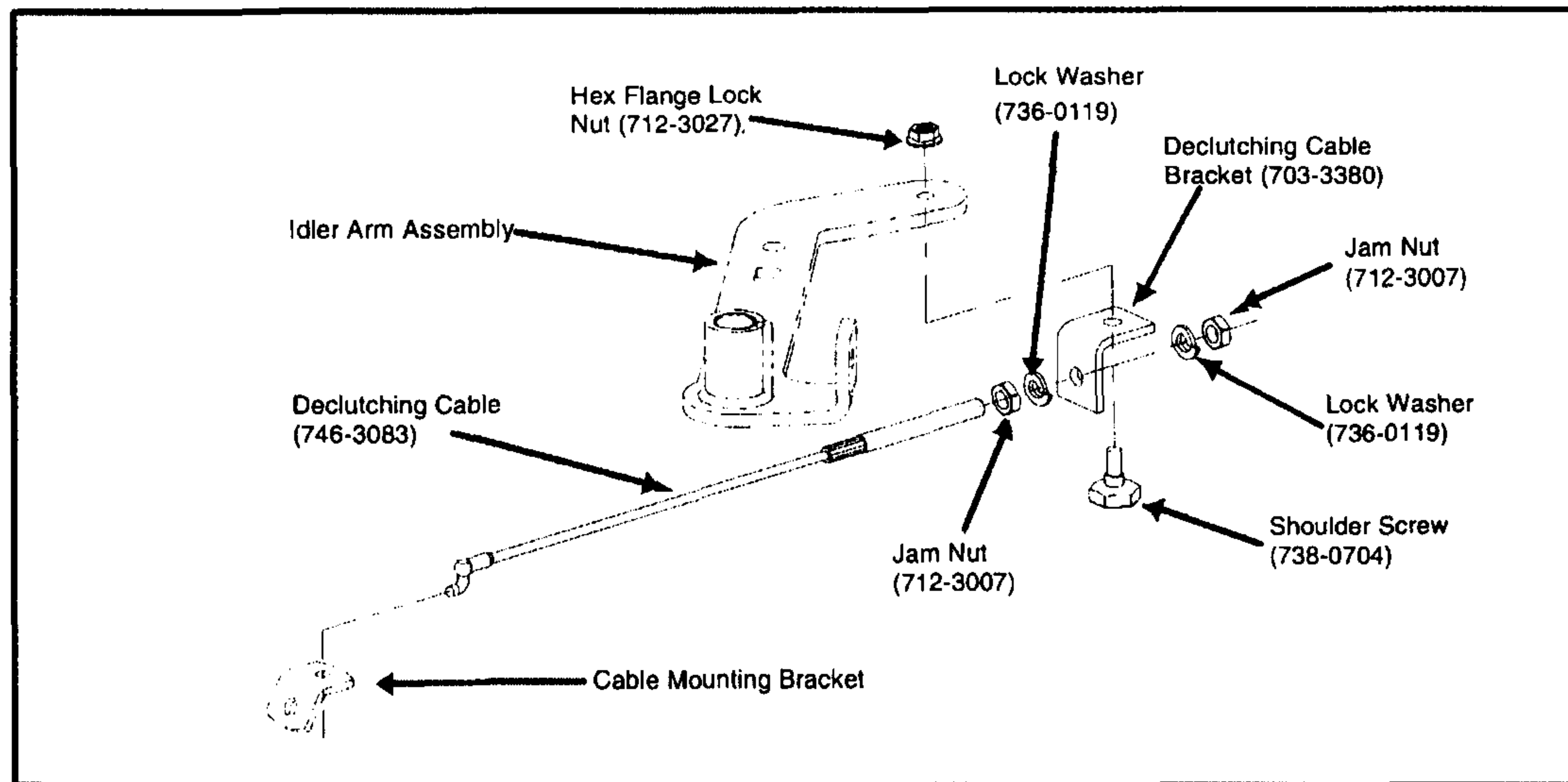


Service Advisory W-116

Model: Z16, Z180, Z200, Z180L
Date: September 16, 1998 (REVISED 10/12/98 - Destroy previous copy)
Subject: DECLUTCHING CABLE KIT 759-3874

Some Z Series Mowers are experiencing traction problems resulting from the inability of the transmission drive belt to remain tight against the idler pulley. A product improvement has been made by adding a threaded end to the declutching cable and passing this through a bracket allowing the cable to be adjusted to compensate for belt stretching and wear. A product update kit has been developed with the necessary parts and instructions. Parts ordering and warranty information can be found below.

Use the illustration below for future reference.



Warranty Allowance: If a customer experiences the above problem, order and install part number **759-3874 Declutching Cable Kit**. The kit will be available from **Shelby Parts Distribution at NO CHARGE**. Submit a warranty claim in the usual manner for .3 of an hour labor and memo part number **759-3874** at no charge. **NOTE:** Installation of the no charge kit and labor will be allowed for any unit in dealer's inventory.

Service Manager	Parts Manager	Service Tech.	Service Tech.	Service Tech.

Circulate and Initial