

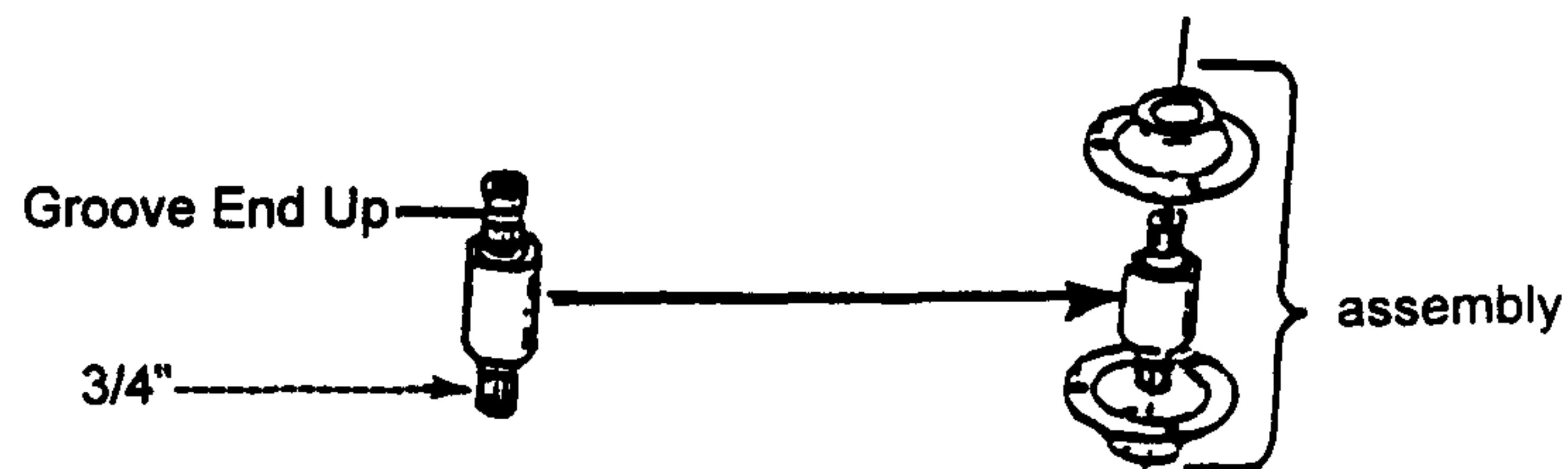
WHITE
by MTD**SERVICE ADVISORY Code: W-106**

Model 190-993-190 50" Cutting Deck

Date August 4, 1997

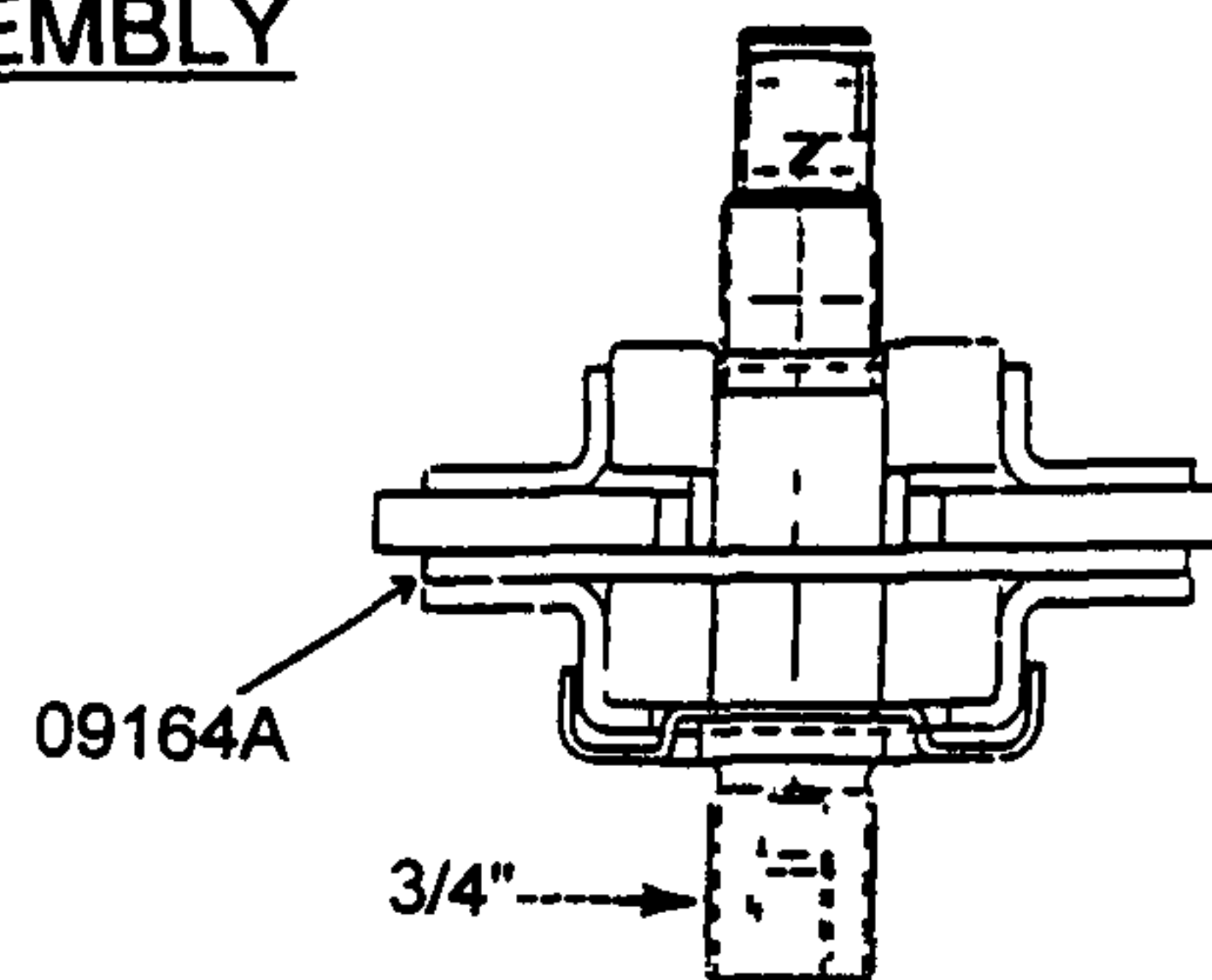
Subject SPINDLE ASSEMBLY

Over a period of years, there have been different spindle assemblies used on this deck
This advisory is intended to assist you in identifying the different designs

PART NUMBER 12723 SPINDLE ASSEMBLY

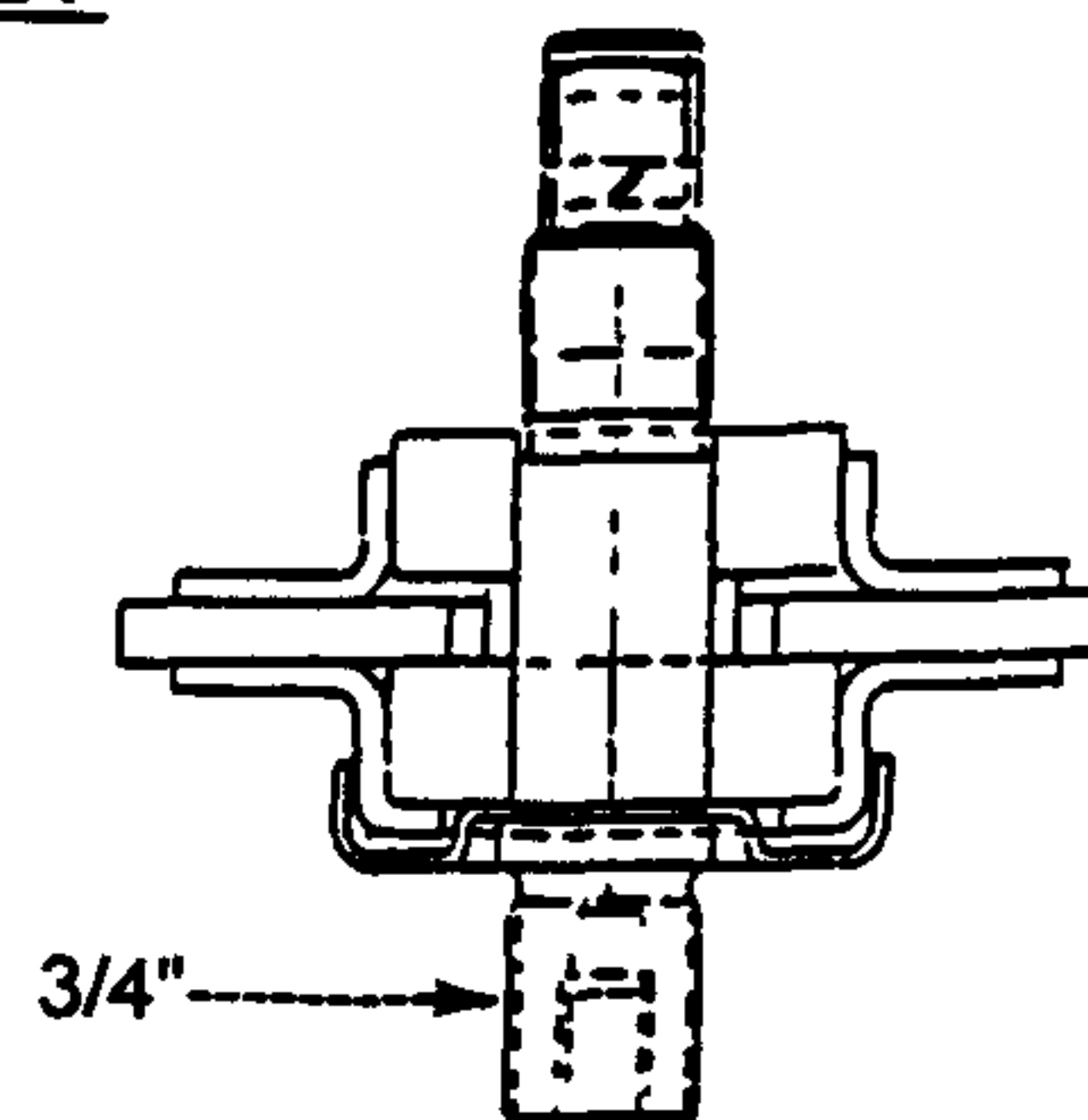
Use blade adapter part number 748-0235

NOTE When installing the separate components, leave the hardware loose
and engage the deck for a minute to align the spindle assembly Then tighten hardware to
proper torque

PART NUMBER 14199 SPINDLE ASSEMBLY

Use blade adapter part number 748-0235

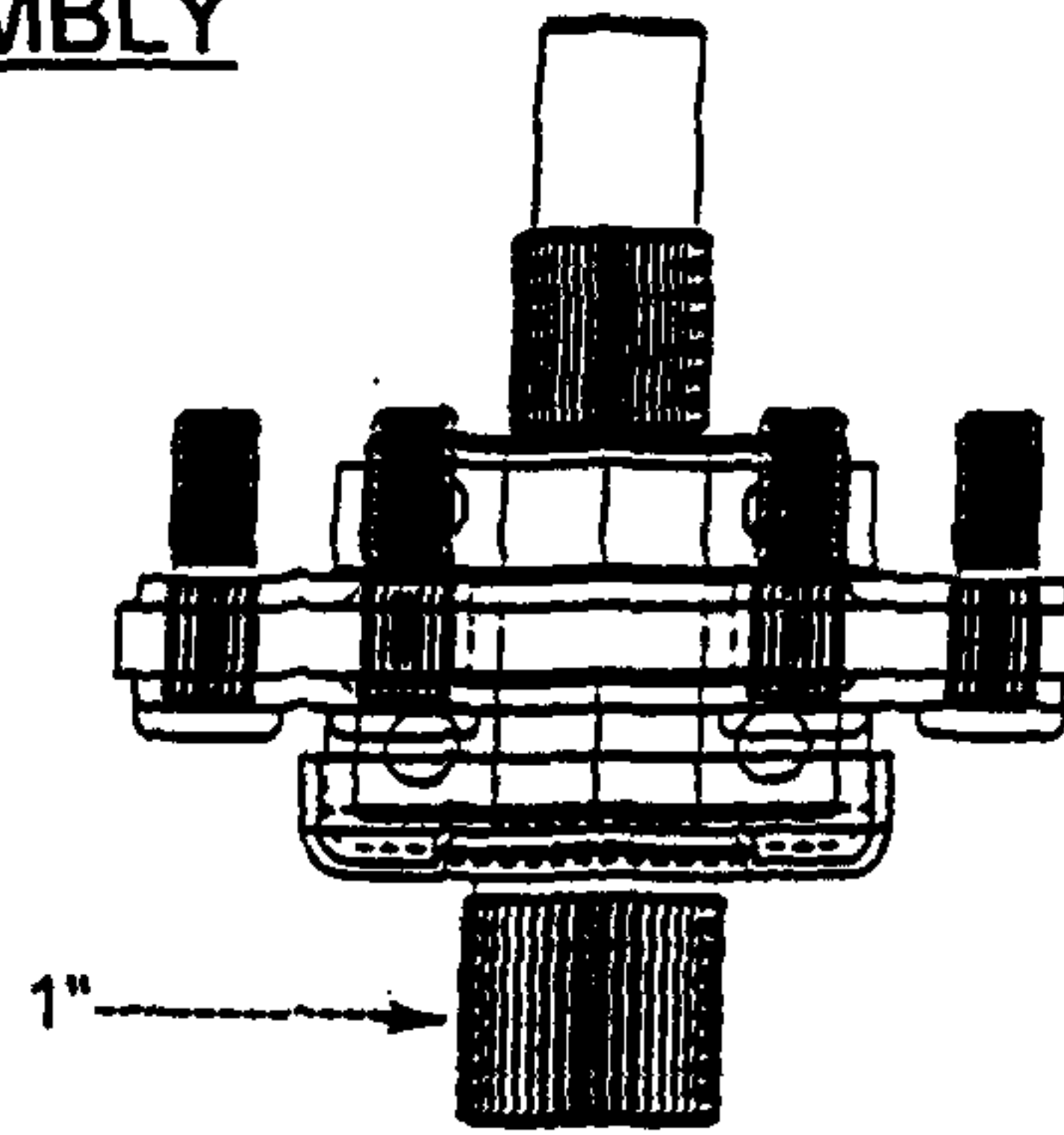
NOTE May be interchanged with part number 14199A by removing part number 09164A plate

PART NUMBER 14199A SPINDLE ASSEMBLY

Use blade adapter part number 748-0235

NOTE May be interchanged with part number 14199 by adding part number 09164A plate

PART NUMBER 918-0118 SPINDLE ASSEMBLY



Use blade adapter part number 748-0300

NOTE: The 918-0118 spindle assembly is held together and stays in alignment by splined bolts. This makes it easier to service and prevents the bearing from becoming overloaded. You may use 918-0118 spindle assembly to replace earlier designs as follows.

When replacing 12723 spindle assembly, order three 918-0118, three 756-0519 pulleys, three 748-0300 blade adapters, and three 14249A support plates for the top of the deck.

When replacing 14199 or 14199A spindle assembly, order three 918-0118 and three 748-0300 blade adapters.

Some drilling may be required.

This is being released for information purposes only.

Service Manager	Parts Manager	Service Tech.	Service Tech.	Service Tech.

Circulate and Initial