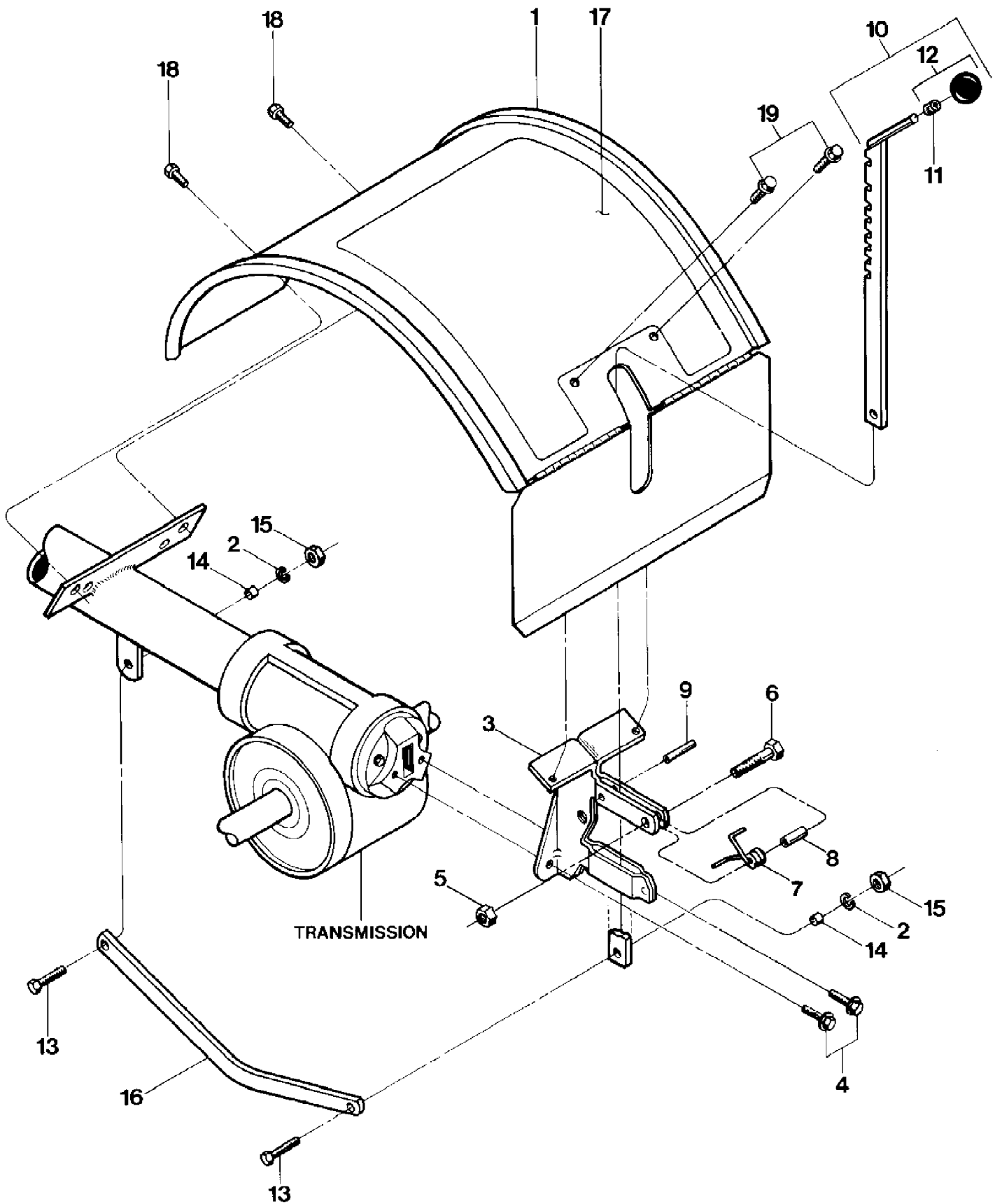


21A-665B063 5.5HP Roto-Tiller (2002)  
Bumper

Page 2 of 21

Ref #	Part Number	Qty	S/P/F	Description
19	1918749	1		Bumper (Includes Ref. 20)
20	GW-1448	1	/P	Decal - Caution
21	710-3073	4	S/F	Screw-hex hd., 5/16-18 x 2-1/4 Not avail. separately (order #1918781 hardware kit)
22	736-0119	4	S/F	Lockwasher-5/16 Not avail. separately (order #1918781 hardware kit)
23	712-0267	4	S/F	Nut-hex, 5/16-18 Not avail. separately (order #1918781 hardware kit)
	1918781	1		Hardware Kit Incl. four each of Refs. 21, 22 and 23

21A-665B063 5.5HP Roto-Tiller (2002)  
Drag Bar

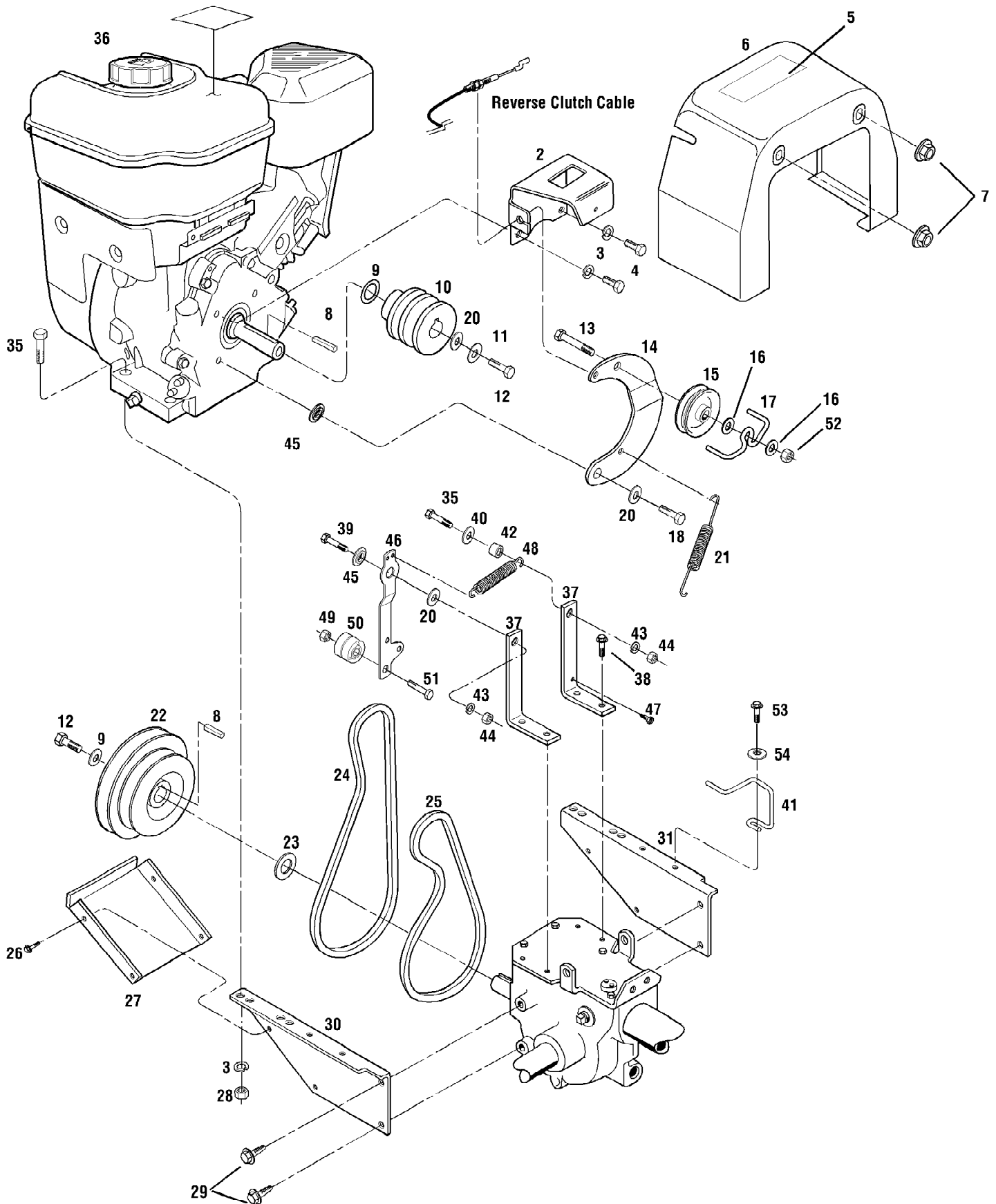


21A-665B063 5.5HP Roto-Tiller (2002)  
Drag Bar

Page 4 of 21

Ref #	Part Number	Qty	S/P/F	Description
1	1917605	1	/P	Hood-Tine cover, with hinged flap (Incl. hood flap and Ref.17)
2	736-0169	2	S	Lockwasher, 3/8
3	GW-2527	1	/P	Bracket-Hood & Depth Regulator (Incl. Ref. No. 9)
4	1186328	2	S	Screw-flanged hex hd., 5/16-18 x 5/8
5	712-0291	1	S	Hex Locknut, 1/4-20
6	710-0597	1	/P	Hex Hd. Screw, 1/4-20 x 1
7	GW-9384	1	S	Spring-Depth regulator plunger
8	GW-9534	1	/P	Spacer
9	1185496	1		Roll Pin-1/4 x 1 (spiral)
10	GW-1117A	1	S	Bar Assembly-Depth adjustment (Incl. Refs. 11 and 12)
11	GW-9120	1	/P	Ring-Retaining, tolerance ring
12	GW-9119	1	/P	Knob-Depth regulator
13	710-3005	2	/P	Hex Hd. Screw, 3/8-16 x 1-1/4
14	GW-1113-1	2	S	Bushing-Spacer
15	712-0798	2	/P	Hex Nut, 3/8-16
16	GW-20775	1	S	Drag Bar
17	777S30652	1		Decal-Tiller operating instructions
18	GW-9553	2	S	Hex Hd. Screw, self-tapping, 5/16-18 x 1/2
19	710-0599	2	/P	Screw-flanged hex hd, self-tapping, 1/4-20 x 1/2

21A-665B063 5.5HP Roto-Tiller (2002)  
Drive



21A-665B063 5.5HP Roto-Tiller (2002)  
Drive

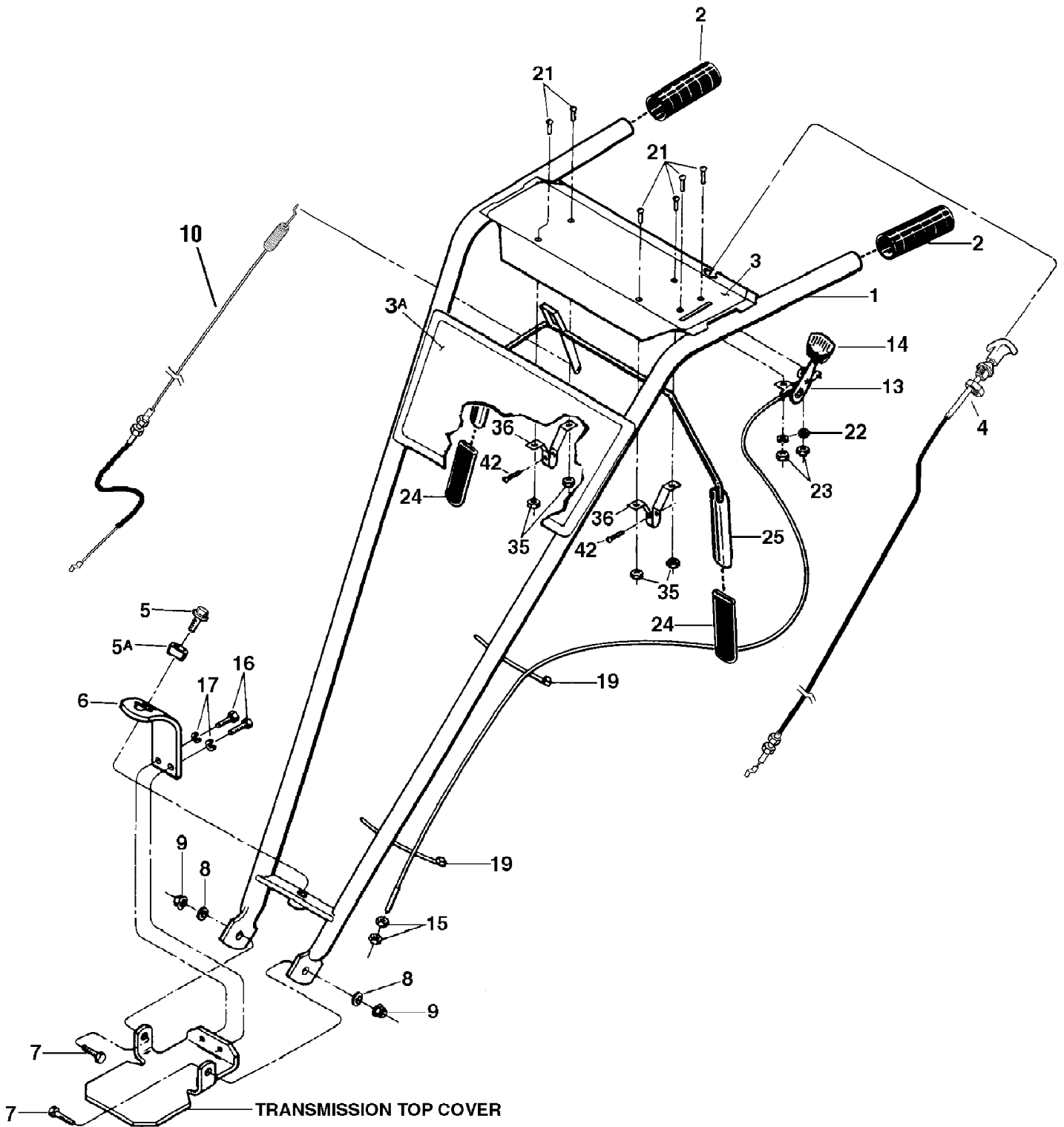
Page 6 of 21

Ref #	Part Number	Qty	S/P/F	Description
?1		1		Engine-standard recoil start See your local authorized engine service dealer for engine parts or service. Refer to engine nameplate for engine type and code information.
2	1917326001	1	S	Bracket, Clutch Cable
3	736-0119	6	S	Lockwasher-5/16
4	710-0107	2	/P	Hex Hd. Screw, 5/16-24 x 1/2
5	777S30651	1		Decal, Hot Surfaces/Belt Warning
6	1917139	1	S	Cover (Incl. Ref. 5)
7	712-3004A	2	/P	Flange Lock Nut, 5/16-18
8	914-0135	2	/P	Key, 3/16 x 1-1/2
9	GW-1138-1	1	S	Shim
10	1916520	1	S	Pulley, Engine Drive
11	GW-9944	2	S	Belleville Washer
12	910-0672	2	S	Hex Hd. Screw, 5/16-24 x 1-1/8
13	710-3103	1	/P	Hex Hd. Screw, 5/16-18 x 2
14	1918731	1	S	Reverse Idler Arm
15	1916535	1	/P	Pulley, Reverse Idler
16	1107382	2	/P	Flat Washer, 5/16
17	1916725	1	S	Belt Guide, Wire Formed
18	910-0888	1	S	Hex Hd. Screw, 5/16-24 x 1
?19	1917746	1	S	Washer, Shoulder
20	GW-9929	3	/P	Washer, Flat, 1-1/8
21	1916728	1	S	Spring, Reverse Return
22	1916522	1	S	Transmission Pulley
23	GW-1440	1	S	Support Washer
24	1918812	1	/P	Reverse Clutch Belt
25	1909404	1	/P	Forward Clutch Belt
26	1900396	4	/P	Self-tapping. Screw, #10-32 x 1/2
27	GW-20673	1	S	Guard, Belts/Pulleys
28	712-3009	4	S	Hex Nut, 5/16-18
29	1186329	4	S/F	Hex Flange Screw, 5/16-18 x 3/4
30	1916797001	1	/P	Engine Support Bracket, left side
31	1916796001	1	S	Engine Support Bracket, right side
35	710-0805	3	/P	Hex Hd. Screw, 5/16-18 x 1-1/2
36	777I20942	1		Decal, Stabilization
37	1918774	2	S	Mounting Bar
38	GW-90063	2	/P	Hex Flange Screw, 5/16-18 x 1
39	710-3073	2	S/F	Hex Hd. Screw, 5/16-18 x 2-1/4
40	736-0275	1	S	Flat Washer, 5/16
41	1918846	2	S	Belt Guide, Fwd Belt
42	GW-55088	2	/P	Pivot Bushing
43	736-0119	2	S	Lockwasher, 5/16
44	712-0267	2	S	Hex Nut, 5/16-18
45	1917746	2	S	Washer, Shoulder
46	1918744	1	S	Idler Arm, Forward Tiller Direction
47	1767754	1	/P	Screw, self tapping, #10-24
48	1916727	1	/P	Spring
49	712-3000	2	S	Hex Locknut, 5/16-18
50	GW-9090	1	S	Idler Pulley, Forward
51	710-0347	1	/P	Screw, 5/16-18 x 1-3/4
52	712-0158	1	S	Hex Locknut, 5/16-18
53	1754128	1	/P	Screw, 1/4-20 x 3/4

21A-665B063 5.5HP Roto-Tiller (2002)  
Drive

Page 7 of 21

Ref #	Part Number	Qty	S/P/F	Description
54	736-0463	1	S	Flat Washer-1/4





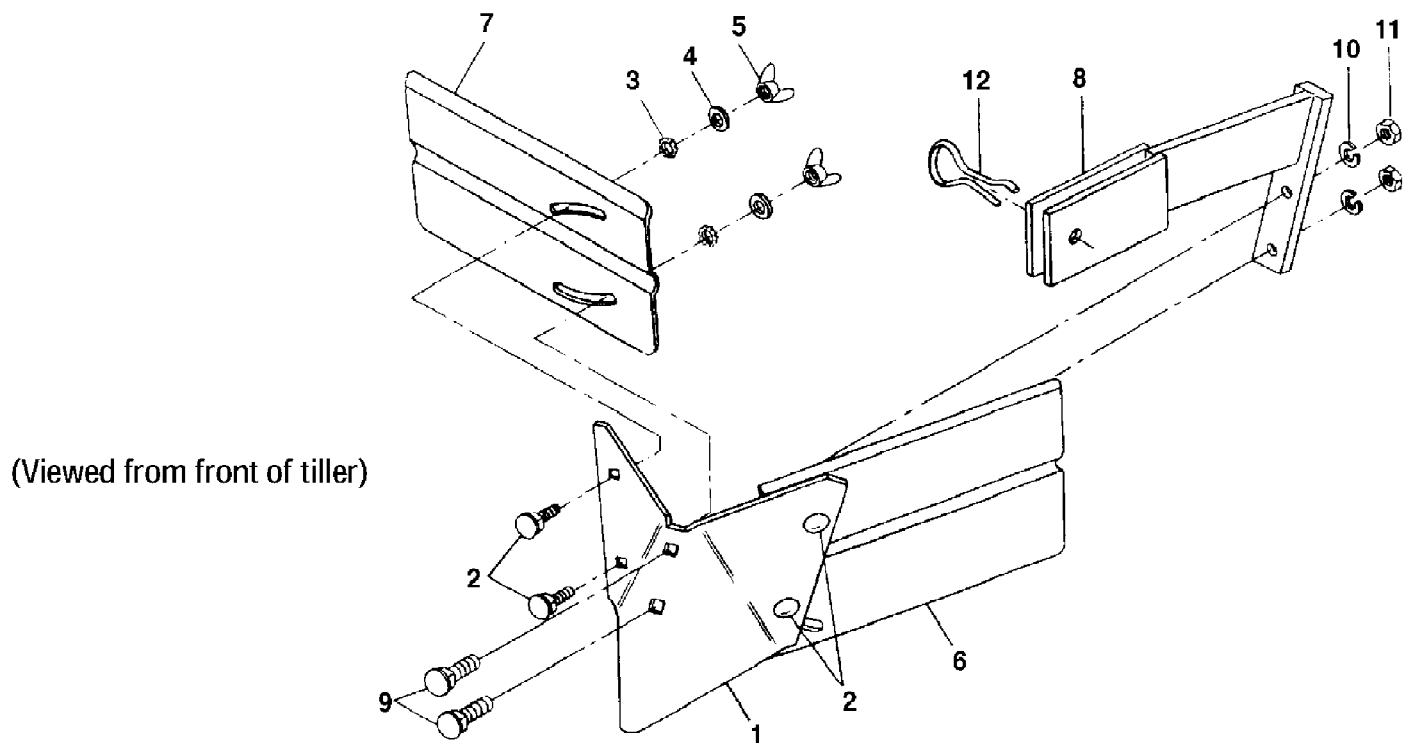
21A-665B063 5.5HP Roto-Tiller (2002)  
Handle

Page 9 of 21

Ref #	Part Number	Qty	S/P/F	Description
1	191801010	1		Handlebars
2	GW-9126	2	S	Grip
3	777I20939	1		Decal-Operator control panel
3A	777D05554	1		Decal-Logo
4	1916784	1	S	Reverse Clutch Cable Assembly
5	1186347	1	S	Height Adjustment Flange Screw
5A	GW-9955	1	S	Keyed Washer
6	1900475	1	S	Bracket-Handlebar height adjust
7	710-0514	2	/P	Hex Hd. Screw, 3/8-16 x 1
8	736-3050	2	/P	Plain Washer (flat), 3/8, S.A.E.
9	712-3000	2	S	Hex Locknut, 3/8-16
10	1918791	1	S	Cable, Forward Clutch Control
13	GW-9442	1	S	Wheel Gear Control & Cable Assy.
14	GW-9057	1	/P	Knob-Wheel gear control lever
15	1186211	2	/P	Hex Nut, 5/16-24-Wheel gear cable adjustment
16	710-0216	2	/P	Hex Hd. Screw, 3/8-16 x 3/4
17	736-0169	2	S	Lockwasher, 3/8
19	725-0157	2	/P	Plastic Tie
21	1114748	6	/P	Round Hd. Screw, #10-32 x 1/2
22	1100240	2	/P	Lockwasher, #10
23	1186208	2	/P	Hex Nut, #10-32
24	GW-9390	2	/P	Grip-Lever
25	1918840	1	/P	Lever-Forward Clutch Control
35	GW-9853	4	/P	Sems Nut
36	GW-20806	2	/P	Bracket-Bail support
42	910-0599	2	S	Hex Flange Screw, self-tapping, 1/4-20 x 1/2

21A-665B063 5.5HP Roto-Tiller (2002)  
Hiller / Furrower

Page 10 of 21

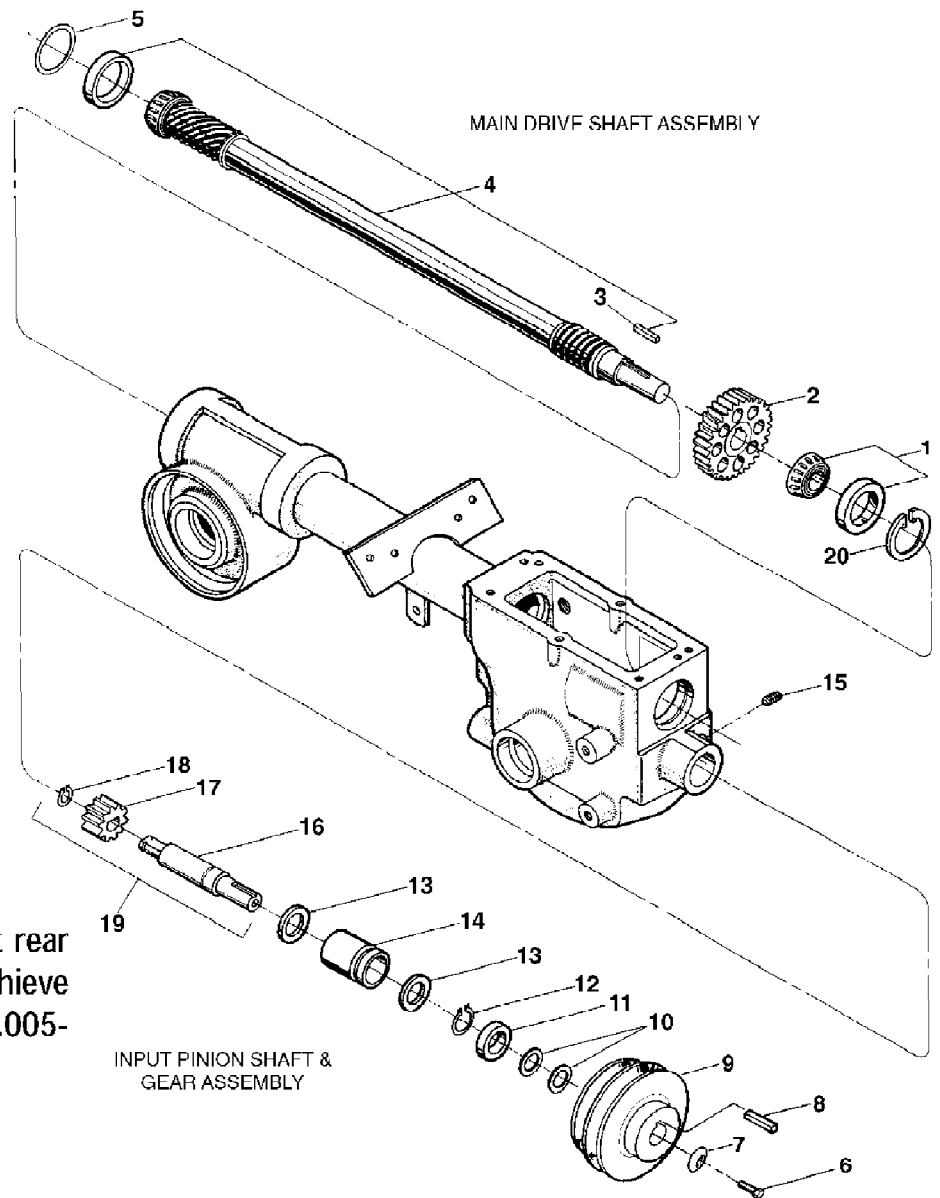


21A-665B063 5.5HP Roto-Tiller (2002)  
Hiller / Furrower

Page 11 of 21

Ref #	Part Number	Qty	S/P/F	Description
1	1900771	1		Furrower-blade only
2	1186098	4	/P	Carriage Screw-5/16-18 x 3/4
3	1177548	4	S	Star Washer-external tooth, 5/16
4	736-0567	4	/P	Plain Washer-5/16 S.A.E
5	GW-9824	4	/P	Wing Nut-5/16-18
6	1900773001	1	/P	Hiller Wing-left
7	GW-2736-02	1	S	Hiller Wing-right
8	GW-2636	1	/P	Bracket-blade mounting
9	GW-9725	2	S	Carriage Screw-blade mounting, 3/8-16 x 1-1/2
10	1100243	2	S	Lockwasher-3/8, plated
11	1186231	2	S	Nut-hex, 3/8-16, plated
12	GW-9318	1	/P	Pin-clinch

21A-665B063 5.5HP Roto-Tiller (2002)  
Main Drive Shaft, Input Pinion Shaft & Gear Assembly



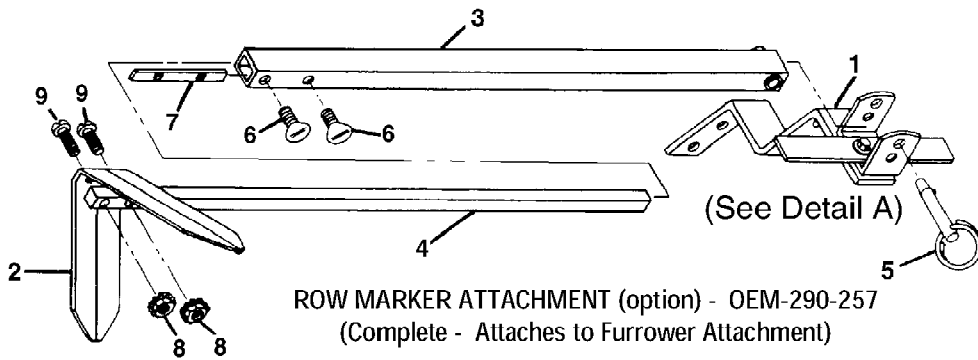
NOTE 1- Shim between drive shaft rear bearing and rear bearing cap to achieve 5-to-10 thousandths of an inch (.005-.010) end play on drive shaft.

21A-665B063 5.5HP Roto-Tiller (2002)  
Main Drive Shaft, Input Pinion Shaft & Gear Assembly

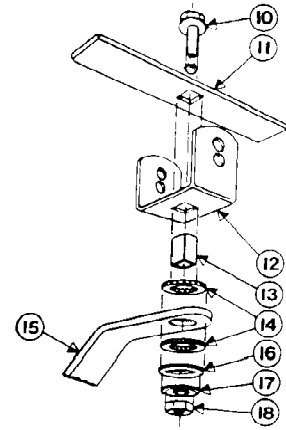
Page 13 of 21

Ref #	Part Number	Qty	S/P/F	Description
1	941-0107	1	/P	Bearing-Tapered roller with race
2	GW-20718	1	S	Gear-Spur, main drive shaft
3	GW-9301	1	S	Key, 3/16 sq. x 1
4	GW-11603	1		Drive Shaft-with integral, single-lead worm at front and six-lead worm at rear (Includes pressed-on #1714 rear roller bearing, race for bearing and #9301 key)
5	GW-1224-1	A/R	S	Shim-Rear bearing cap, .010 thick (See Note 1)
5	GW-1224-2	A/R	S	Shim-same as above, but .030 thick (See Note 1)
5	GW-1224-3	A/R	S	Shim-same as above, but .005 thick (See Note 1)
	GW-1325C	A/R	/P	Shim Set Includes the following shims: two 1224-1; two 1224-2; one #1224-3
6	910-0372	1	F	Hex Hd. Screw, 5/16-24 x 1-1/8
7	GW-9944	1	S	Washer-Disc spring (concave surface faces pulley)
8	914-0133	2	/P	Key, 3/16 sq. x 1-1/ 1
9	1983632	1	S	Pulley-Transmission drive
10	GW-1440	1	S	Support Washer
11	1983632	1	S	Oil Seal-Input pinion shaft, front
12	1113527	1	S	Ring-Retaining (snap ring), external
13	GW-9953	2	/P	Thrust Washer
14	GW-9428	1	/P	Bushing
15	GW-9677	1	/P/F	Set Screw, 5/16-18 x 3/8
16	GW-20791	1	/P	Input Pinion-steel shaft
17	GW-20792	1	S	Gear-Input pinion
18	GW-9093	1	/P	Retainer-Snap ring, external
19	GW-20799	A/R	/P	Pinion Assy (Incl. one each of Ref. No.'s 16, 17 and 18)
20	GW-9517	1	S	Retainer-Snap ring, internal

21A-665B063 5.5HP Roto-Tiller (2002)  
Row Marker



MAIN SUPPORT & YOKE ASSEMBLY

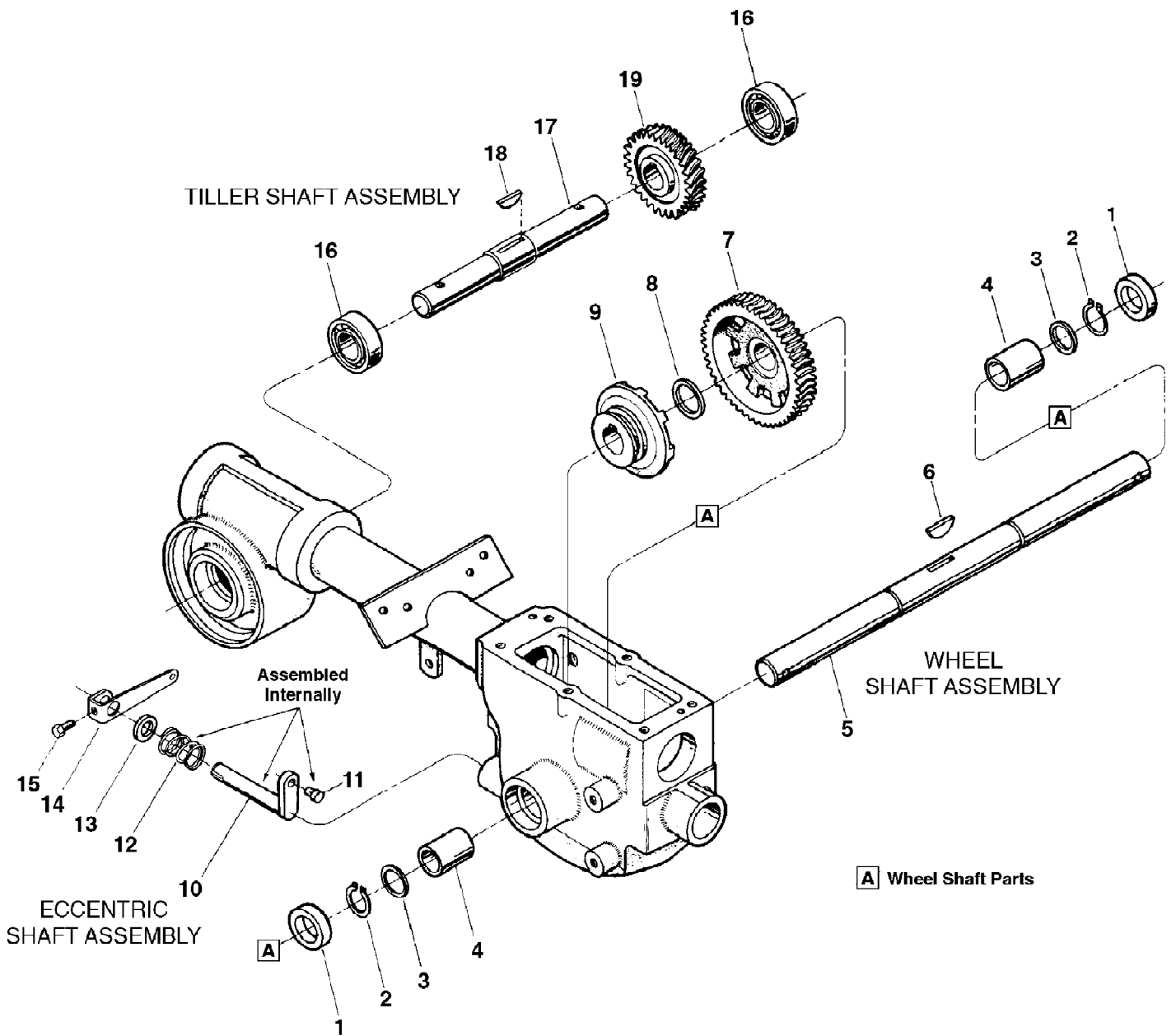


Detail A

21A-665B063 5.5HP Roto-Tiller (2002)  
Row Marker

Page 15 of 21

Ref #	Part Number	Qty	S/P/F	Description
1	1904522	1		Main Support & Yoke Assy-complete. Incl. Ref. No.'s 10 - 18
2	GW-1594	1	/P	Marker Blade-blade only
3	1904524001	1		Marker Arm - main arm
4	1904523001	1		Marker Arm - extension arm with stop pin
5	GW-9347	1	/P	Hitch Pin (Incl. in Hardware Pkg #GW-1837)
6	GW-9786	2	F	Thumbscrew-1/4-20 x 1/2 Not avail. sep. (see hardware pkg. #GW-1837)
7	GW-1596	1	/P	Nut Bar (Incl. in hardware pkg #GW-1837)
8	GW-9828	2	F	Nut-hex, 10-24 w/attached start washers Not avail. sep. (see hardware pkg. #GW-1837)
9	1100135	2	/P/F	Screw-round hd., 10-24 x 1 Not avail. sep. (see hardware pkg. #GW-1837)
	GW-1837	1	/P	Hardware Package Includes: one #GW-9347 hitch pin (Ref. 5), two #GW-9786 thumbscrews (Ref. 6), one #GW-1596 nut bar (Ref. 7), two #GW-9828 hex nuts (Ref. 8), two 1100135 screws (Ref. 9)
10	1186349	1	/P/F	Screw-hex flanged locking, 3/8-16 x 1-1/2
11	GW-1593	1	/P	Stop Bar
12	GW-1592	1	/P	Yoke
13	GW-1591	1	/P	Tube Key-square
14	GW-1590	2	/P	Washer-friction
15	GW-1588	1	/P	Main Support
16	GW-1589	1	/P	Washer-square hole
17	GW-9925	1		Washer-disc spring
18	912-3017	1	/P	Nut-hex 3/8-16
	1904522001	1		Row Marker Main Support & Yoke Assembly

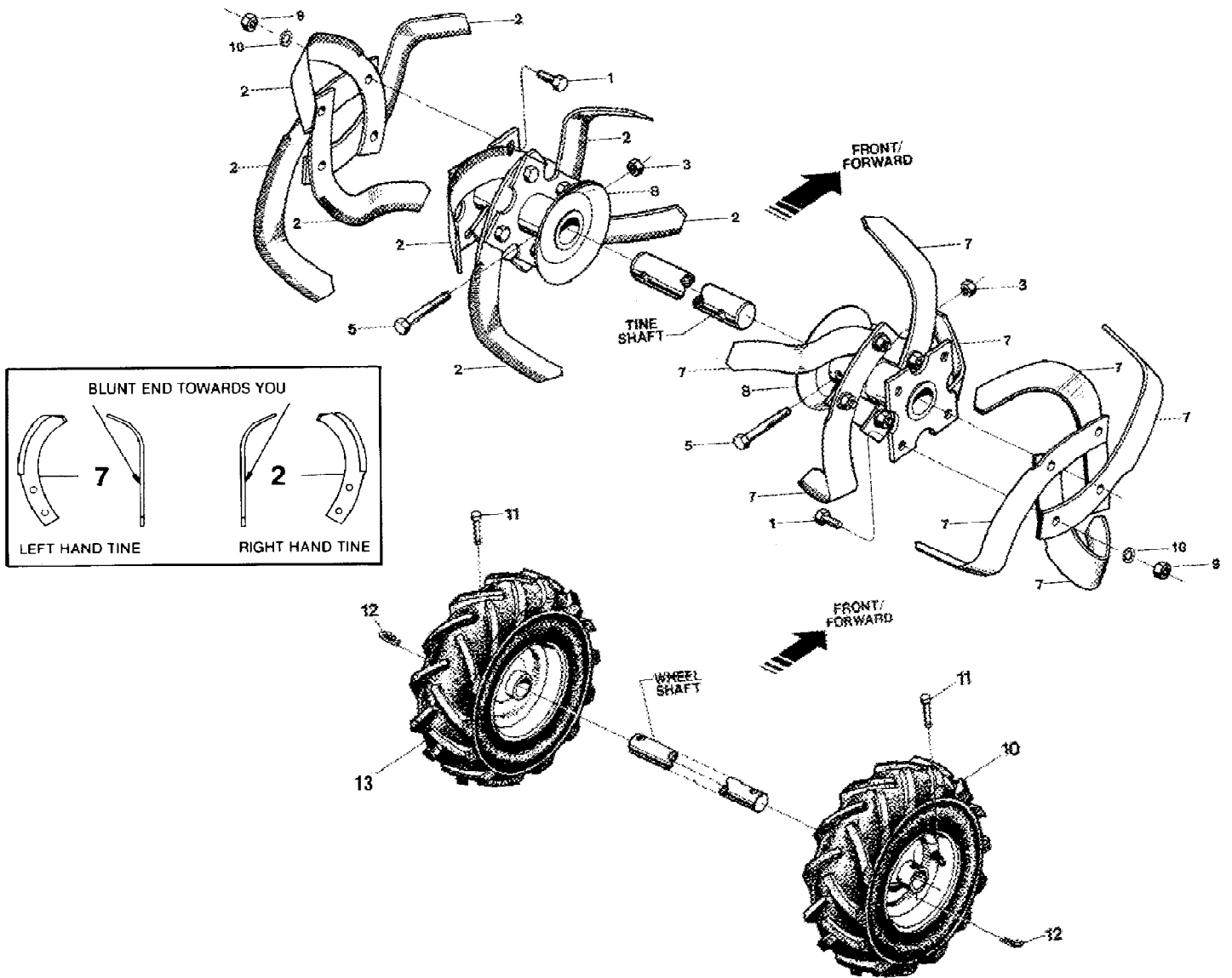




21A-665B063 5.5HP Roto-Tiller (2002)  
Tiller Shaft Assembly

Page 17 of 21

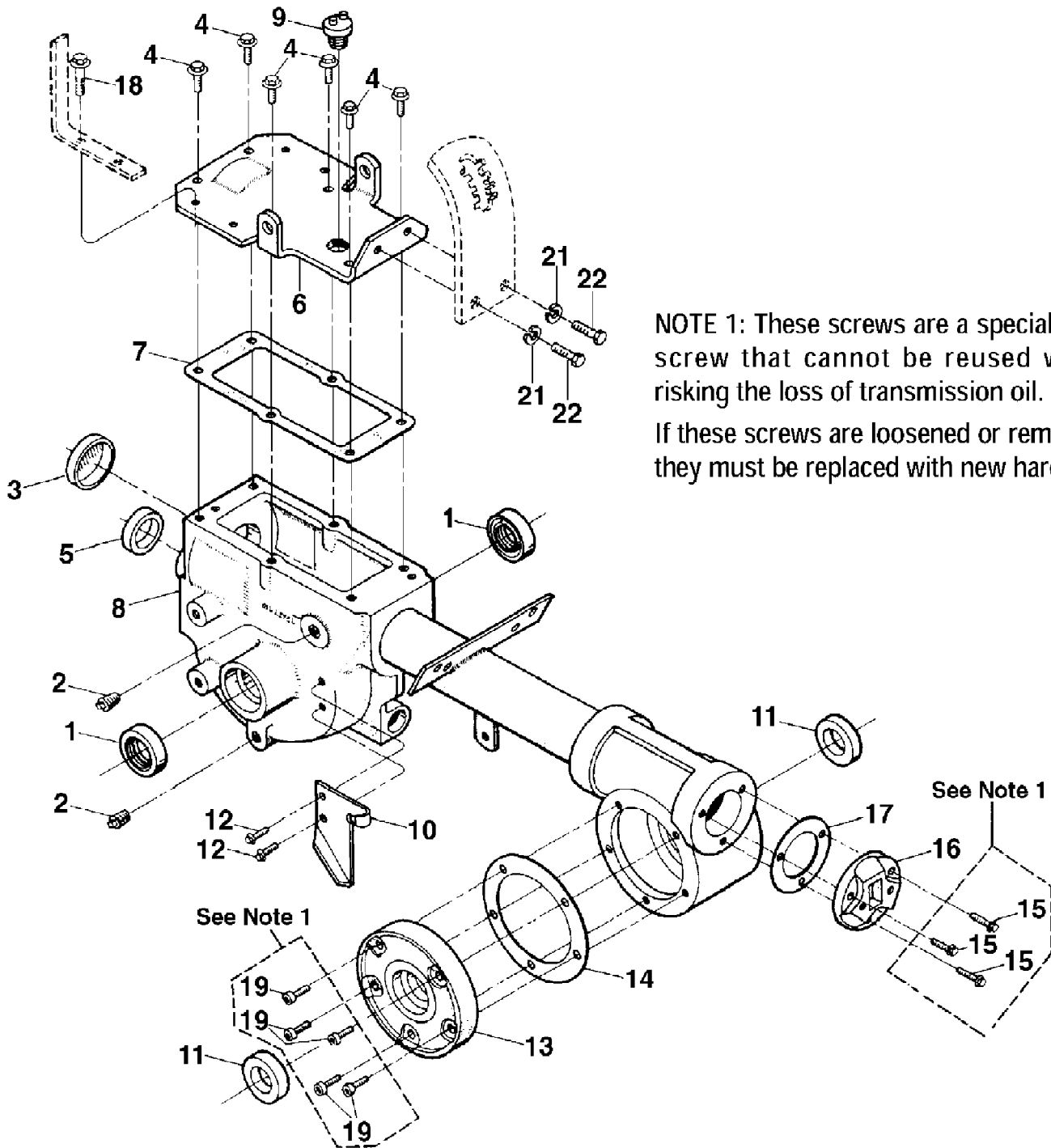
Ref #	Part Number	Qty	S/P/F	Description
1	GW-9621	2	S	Oil Seal
2	1909950	2	S	Ring-Retaining, heavy-duty, ext
3	GW-1166-1	A/R	S	Shim-1-1/64 I.D., .062 thick
	GW-1166-2	A/R	/P	Shim-as above, but .030 thick
	GW-1166-3	A/R	/P	Shim-as above, but .015 thick
	GW-1166-4	A/R	S	Shim-as above, but .010 thick
4	GW-1086	2	S	Bushing
5	GW-2494	1	S	Wheel Shaft (axle) Incl. Ref. 6
6	GW-9373	1	/P	Key-Hi-Pro, 1/4 x 1-5/16
7	GW-20914	1	/P	Gear-Wheel drive (worm gear)
8	GW-9935	1	/P	Shim-1.016 I.D. x 1.468 O.D. x .062 thick
9	GW-20712	1	/P	Clutch-Wheel drive, cast iron
10	GW-20879	1	S	Eccentric Shaft-Wheel clutch
11	GW-1442	1	S	Pin-Eccentric shaft
12	GW-9055	1	/P	Spring
13	GW-9622	1	S	Oil Seal-Eccentric shaft
14	GW-20700	1	S	Lever-Eccentric shaft
15	710-3013	1	/P/F	Hex Hd. Screw, 1/4-20 x 1/2
16	741-3037	2	S	Ball Bearing
17	GW-20896	1	/P	Tiller Shaft Incl. Ref. 18
18	GW-1104	1	/P	Key-Woodruff, 1/4 x 1-1/4
19	GW-20913	1	/P	Worm Gear-bronze, tiller drive
	918-04002	1	/P	Transmission complete



21A-665B063 5.5HP Roto-Tiller (2002)  
Tines & Wheels

Page 19 of 21

Ref #	Part Number	Qty	S/P/F	Description
1	710-3105	16	F	Hex Hd. Screw, 3/8-16 x 1-1/4
2	GW-1270-2A	8	S	Bolo Tine - single, right hand tine used on left side of tiller (Incl. two of each Ref. No.'s 1 and 3)
3	712-0375	2	/P	Hex Locknut, 3/8-16
5	710-3096	2	/P	Hex Hd. Screw, 3/8-16 x 2, GRADE 8
7	GW-1270-1A	8	S	Bolo Tine - Single, left hand tine used on right side of tiller (Incl. two of each Ref. No.'s 1, 9 and 10)
8	1902154010	2	S	Tine Holder-for bolo tines, left and right sides
	1901118	1	S	Replacement set of 16 Bolo Tines Includes eight each of right hand and left hand tines, and sixteen each of Ref. No.'s 1 and 3
9	712-3017	16	S	Hex Nut, 3/8-16
10	736-0169	16	S	Lock Washer, 3/8
11	GW-9380	2	S	Clevis Pin-.312 x 1-3/4 long
12	GW-9338	2	S	Hitch Pin
13	1917487	2	S	Wheel & Tire Assembly



**NOTE 1:** These screws are a special sealing screw that cannot be reused without risking the loss of transmission oil. If these screws are loosened or removed, they must be replaced with new hardware.

21A-665B063 5.5HP Roto-Tiller (2002)  
Transmission

Page 21 of 21

Ref #	Part Number	Qty	S/P/F	Description
1	721-04031	2	S	Oil Seal (Double Lip), Wheel Shaft
2	1105620	2	/P	Pipe Plug, 1/4,
3	721-04001	1	/P	Seal, Transmission Bore
4	1186329	6	S/F	Hex Flange Screw, 5/16-18 x 3/4
5	1983632	1	S	Oil Seal, Input Pinion Shaft
6	1916193001	1	/P	Transmission Cover (Incl. four Ref. 18 and two ea. Refs. 21 & 22)
7	GW-20694	1	/P	Gasket, Transmission Top Cover
8	619-04010	1	S	Transmission Case Assy. (Incl. Tube and Rear Housing)
9	GW-9467	1	/P	Plug
10	1916198001	1	/P	Mounting Plate, Wheel Clutch Cable
11	721-04035	2	S	Oil Seal, Tiller Shaft
12	1186328	2	S/F	Hex Flange Screw, 5/16-18 x 5/8
13	GW-20873	1	/P	Tiller Housing Cover, left side
14	GW-1129-1	1	S	Gasket, Tiller Housing Cover, .010" (fits all covers) A/R
15	1915089	1	/P	Screw Kit: Incl. three 1/4-20 x 7/8 Self-Sealing Screws A/R
16	1900881001	1	S	Rear Bearing Cap
17	GW-1124-2	1	S	Gasket, Rear Bearing Cap, .010" Thick A/R
18	GW-90063	4	/P/F	Hex Flange Screw, 5/16-18 x 1
19	1915087	1	/P	Screw Kit Incl. five 1/4-20 x 5/8 Self-Sealing Screws A/R
21	736-0169	2	S	Lockwasher, 3/8
22	710-0216	2	/P/F	Hex Hd. Screw, 3/8-16 x 3/4