

21A-655A766 160cc CRT Roto-Tiller (2008)
Drive System

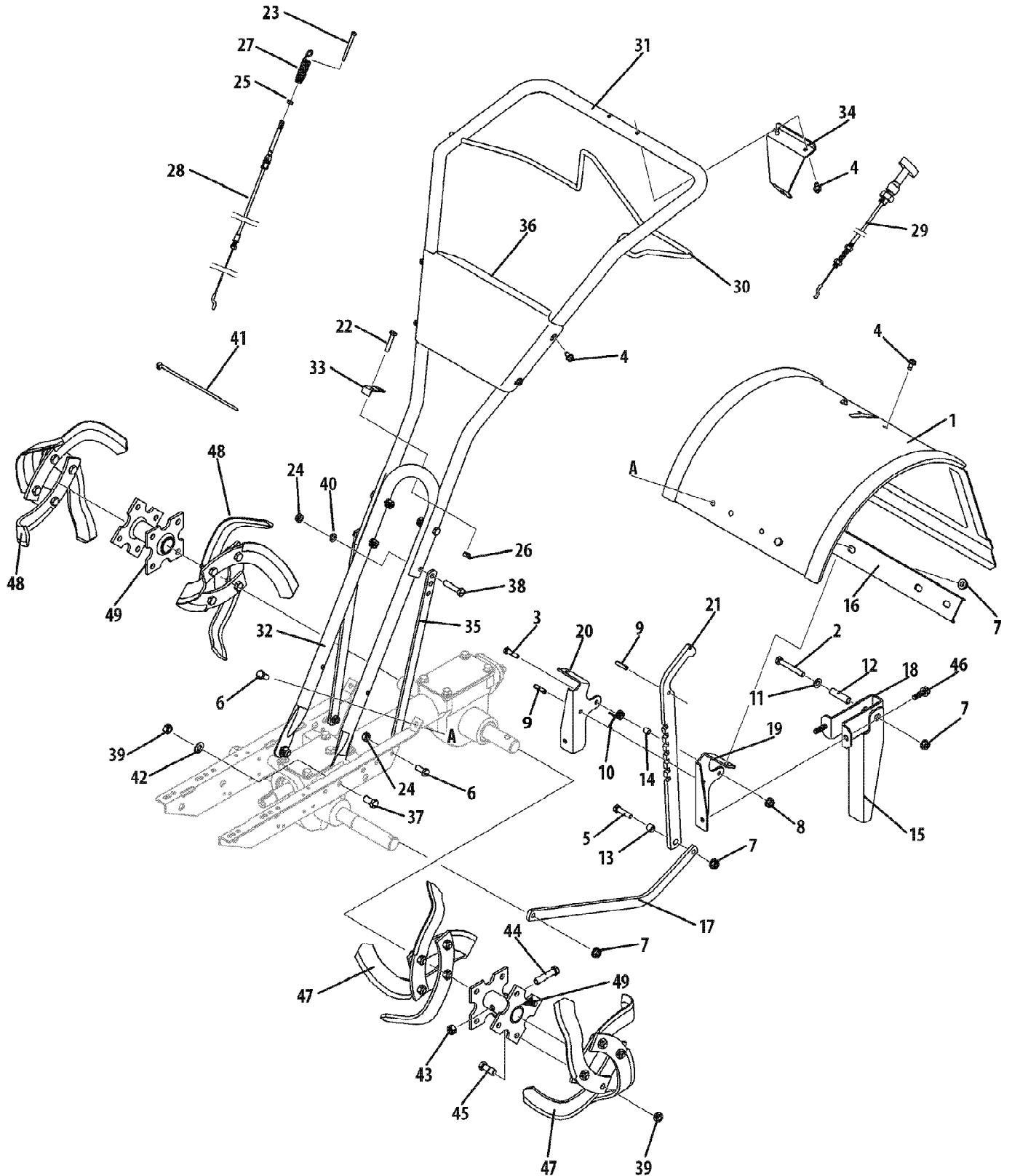
Page 2 of 14

Ref #	Part Number	Qty	S/P/F	Description
1	736-0159	1	S	Flat Washer, 5/16
2	756-04198	1	S	Engine Drive Pulley
3	656-04023A	1		Transmission Pulley Bronco
3	656-04005A	1	/P	Transmission Pulley Super Bronco & Pro Line
4	756-04169	1	S	Reverse Idler Pulley Super Bronco & Pro Line
5	786-04095	1	S	Belts/Pulleys Guard
6	754-04090	1	S	Forward Drive Belt
7	754-04091	1	S	Reverse Drive Belt Super Bronco & Pro Line
8	731-05268	1	/P	Belt Cover
9	732-04289	1	S	Reverse Return Spring Super Bronco & Pro Line
10	732-04081	1	/P	Belt Guide Super Bronco & Pro Line
11	732-04079	1	S	Belt Guide
12	786-04068	1	/P	Engine Bracket Left
13	786-04069	1		Engine Bracket Right
14	786-04070	1	S	Belt Cover Bracket
15	748-04087	1	S	Shoulder Washer
16	786-04276	1	/P	Reverse Idler Arm Super Bronco & Pro Line
17	786-04275	1	S	Forward Idler Lever
18	710-0117	1	S	Hex Head Screw, 5/16-24 x 1
19	710-0237	1	/P	Hex Head Screw, 5/16-24 x 5/8
20	710-0376	1	/P	Hex Head Screw, 5/16-18 x 1
21	710-04049	1	/P	Hex Head Screw, 5/16-18 x /
22	710-0347	1	/P	Hex Head Screw, 3/8-16 x 1-3/4 Bronco
22	710-0520	1	/P	Hex Head Screw, 3/8 -16 x 1.50 Super Bronco & Pro Line
23	710-0599	1	/P	Self-Tapping Screw, 1/4-20 x 1/2
24	710-3103	1	/P	Hex Head Screw, 5/16-18 x 2 Super Bronco & Pro Line
25	712-3000	1	S	Lock Nut, 3/8 -16
26	712-3009	1	S	Lock Nut, 5/16-18 Super Bronco & Pro Line
27	736-0119	1	S	Lock Washer, 5/16 Bronco
28	750-0535	1	S	Spacer, .380 ID x .625 OD x .21 Bronco
28	736-3050	1	/P	Flat Washer, .406 x .812 x .051 Bronco
29	736-3090	1	/P	Flat Washer, .260 x .720 x .060
30	736-0452	1	S	Bell Washer, .396 x 1.140 x .095
31	710-0459A	1	/P	Hex Head Screw, 3/8 -24 x 1.50
32	736-04181	1	S	Support Washer, .690 x 1.250 x .075
33	732-04085	1	/P	Forward Return Spring
34	786-04107	1		Cable Mounting Bracket
35	756-04170	1	/P	Forward Idler Pulley
36	714-0105	1	S	Key, 3/16" x 1"
37	736-3078	1	/P	Flat Washer, .344 x 1.00 x .063
38	736-04193	1	/P	Belleville Washer, .827 x .331 x .098
39	710-0805	1	/P	Hex Screw, 5/16-18 x 1.50 Bronco & Super Bronco
39	710-0395	1	/P	Hex Screw, 5/16-18 x 2-1/4 Pro Line
40	712-04063	1	/P	Hex Lock Nut, 5/16-18

21A-655A766 160cc CRT Roto-Tiller (2008)
Drive System

Page 3 of 14

Ref #	Part Number	Qty	S/P/F	Description
41	750-0258	1	/P	Shlder Spacer, .315 x .750 x .375 Bronco
42	736-0315	1	/P	Flat Washer, .75 x 1.5 x .125 Bronco
42	736-04192	1	/P	Flat Washer, .786 x 1.000 x .031 Super Bronco & Pro Line
43	736-0242	1	/P	Bell Washer, .340 x .872 x .060
44	749-04193	1	S	Bumper Pro Line
45	726-0201	1		Speed Nut, 5/16-18 Pro Line
46	714-0143	1	S	Klik Pin
47	734-04188	1		Complete Wheel Ass., 10 x 2.75 Bronco
48	N/A	1		Complete Whl. Ass., 13 x 5 x 6 Super Bronco & Pro Line
48	634-04218	1		Rim Assembly
48	734-0255	1	S	Valve
48	734-04163	1	S	Tire
49	618-04360A	1	S	Transmission Assembly Bronco
49	618-04362	1	S	Transmission Assembly Super Bronco & Pro Line
50	710-0672	1	/P	Hex Head Screw, 5/16-24 x 1.25



21A-655A766 160cc CRT Roto-Tiller (2008)
Handle & Tine Shield

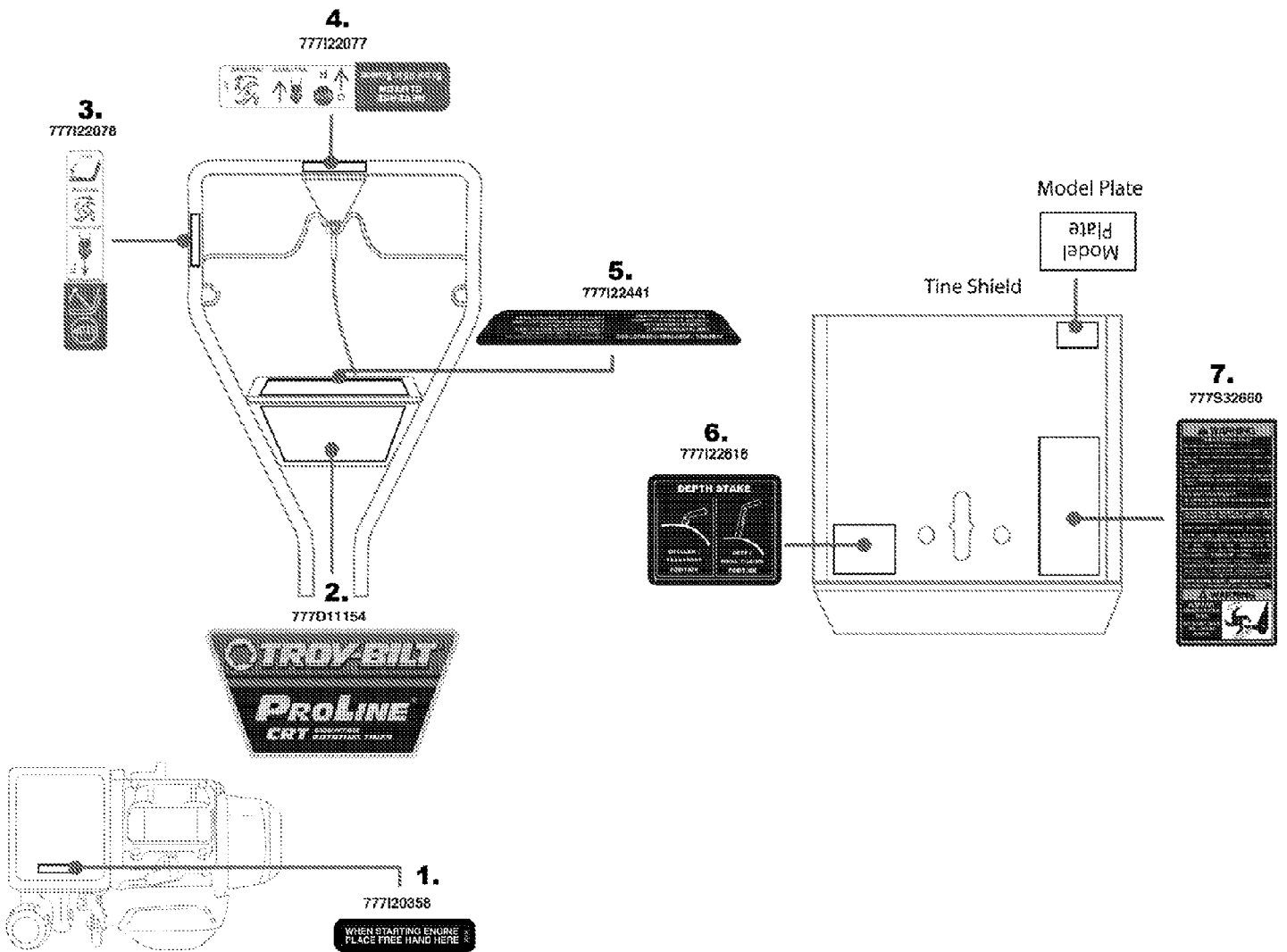
Page 5 of 14

Ref #	Part Number	Qty	S/P/F	Description
1	686-04076	1	S	Tine Hood Assembly Bronco
1	686-04077	1	S	Tine Hood Assembly Super Bronco & Pro Line
2	710-0395	1	/P	Hex Screw, 5/16-18 x 2.25
3	710-0597	1	/P	Hex Head Screw, 1/4-20 x 1
4	710-0599	1	/P	Self-Tapping Screw, 1/4-20 x 1/2
5	710-0874	1	/P	Hex Head Screw, 5/16-18 x 1-1/4
6	710-3008	1	/P	Hex Head Screw, 5/16-18 x .75
7	712-04063	1	/P	Nylon Hex Lock Nut, 5/16-18
8	712-04064	1	/P	Nylon Hex Lock Nut, 1/2-20
9	715-0108	1	/P	Spirol Pin
10	732-04320	1	/P	Depth Regulator Spring
11	736-0275	1	S	Flat Washer, 5/16
12	750-04149	1		Spacer, .462 x .328 x 1.63
13	750-04160	1	S	Bushing
14	750-04556	1		Spacer
15	786-04092	1	/P	Reverse Stop Arm
16	786-04098	1		Channel Support Bracket
17	786-04104	1	/P	Drag Bar
18	786-04191	1	S	Flap Stop Bracket
19	786-04290	1		Hood Bracket, Left Hand
20	786-04291	1		Hood Bracket, Right Hand
21	786-04292	1		Adjustable Depth Bar
22	710-0106	1	/P	Hex Hd. Screw, 1/4-20 x 1-1/4
23	710-04163	1	/P	Screw, #10-24 x 2
24	712-3009	1	S	Hex Lock Nut, 5/16-18
25	712-0121	1	S	Hex Nut, #10-24
26	712-0291	1	S	Hex Lock Nut, 1/4-20
27	732-04185	1		Forward Clutch Spring
28	746-04208	1	S	Forward Clutch Cable Assembly
29	746-04058	1	S	Rev. Clutch Cable Assembly Super Bronco & Pro Line
30	747-04210	1	S	Forward Clutch Bail
31	749-04084	1	S	Upper Handlebar
32	749-04208	1	S	Lower Handlebar
33	786-04106	1		Conduit Mount Tab
34	786-04040	1		Reverse Clutch Cable Bracket Super Bronco & Pro Line
35	786-04188	1	S	Handlebar Support
36	786-04200	1	S	Panel
37	710-0216	1	/P	Hex Screw, 3/16 x 3/4
38	710-0805	1	/P	Hex Screw, 5/16-18 x 1-1/2
39	712-3000	1	S	Hex Lock Nut, 3/8 -16
40	736-0119	1	S	Lock Washer, 5/16
41	725-0157	1	/P	Cable Tie
42	736-3050	1	/P	Flat Washer, 3/8
43	712-04065	1	/P	Flange Lock Nut, 3/8-16
44	710-0347	1	/P	Hex Hd. Screw, 3/8-16 x 1-3/4
45	710-0514	1	/P	Hex Hd. Screw, 3/8 -16 x 1
46	710-04048	1	/P	Flange Screw, .312-18 x 1.00
47	742-04116	1	S	Single Bolo Tine See Tine Chart
48	742-04117	1	S	Single Bolo Tine See Tine Chart

21A-655A766 160cc CRT Roto-Tiller (2008)
Handle & Tine Shield

Page 6 of 14

Ref #	Part Number	Qty	S/P/F	Description
49	686-04066	1		Tine Holder Bronco
49	686-04065	1	S	Tine Holder Super Bronco & Pro Line

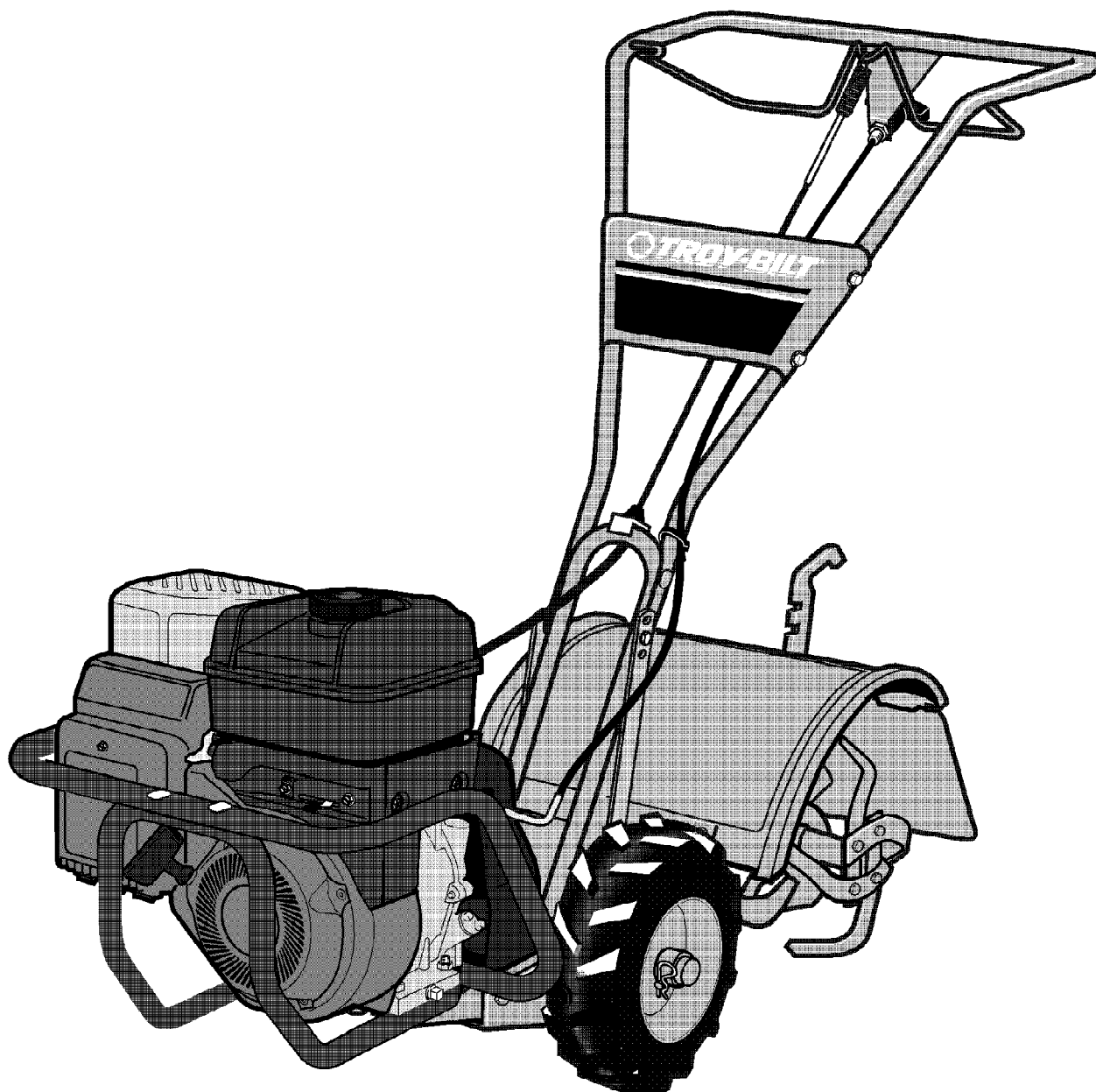


21A-655A766 160cc CRT Roto-Tiller (2008)
 Label Map Proline & Super Bronco

Page 8 of 14

Ref #	Part Number	Qty	S/P/F	Description
1	777I20358	1		LABEL-PLACE HAND HERE
2	777D11154	1		LABEL-TILLER HANDLE TROY PRO LINE
3	777I22078	1		LABEL-TILLER
4	777I22077	1	/P	LABEL-TILLER
5	777I22441	1		LABEL-HNDL PNL INST CRT SPR
6	777I22616	1		LABEL:TILLER TINE SHIELD DEPTH
7	777S32660	1		LABEL:TILLER TINE SHIELD

21A-655A766 160cc CRT Roto-Tiller (2008)
Quick Reference Proline & Super Bronco

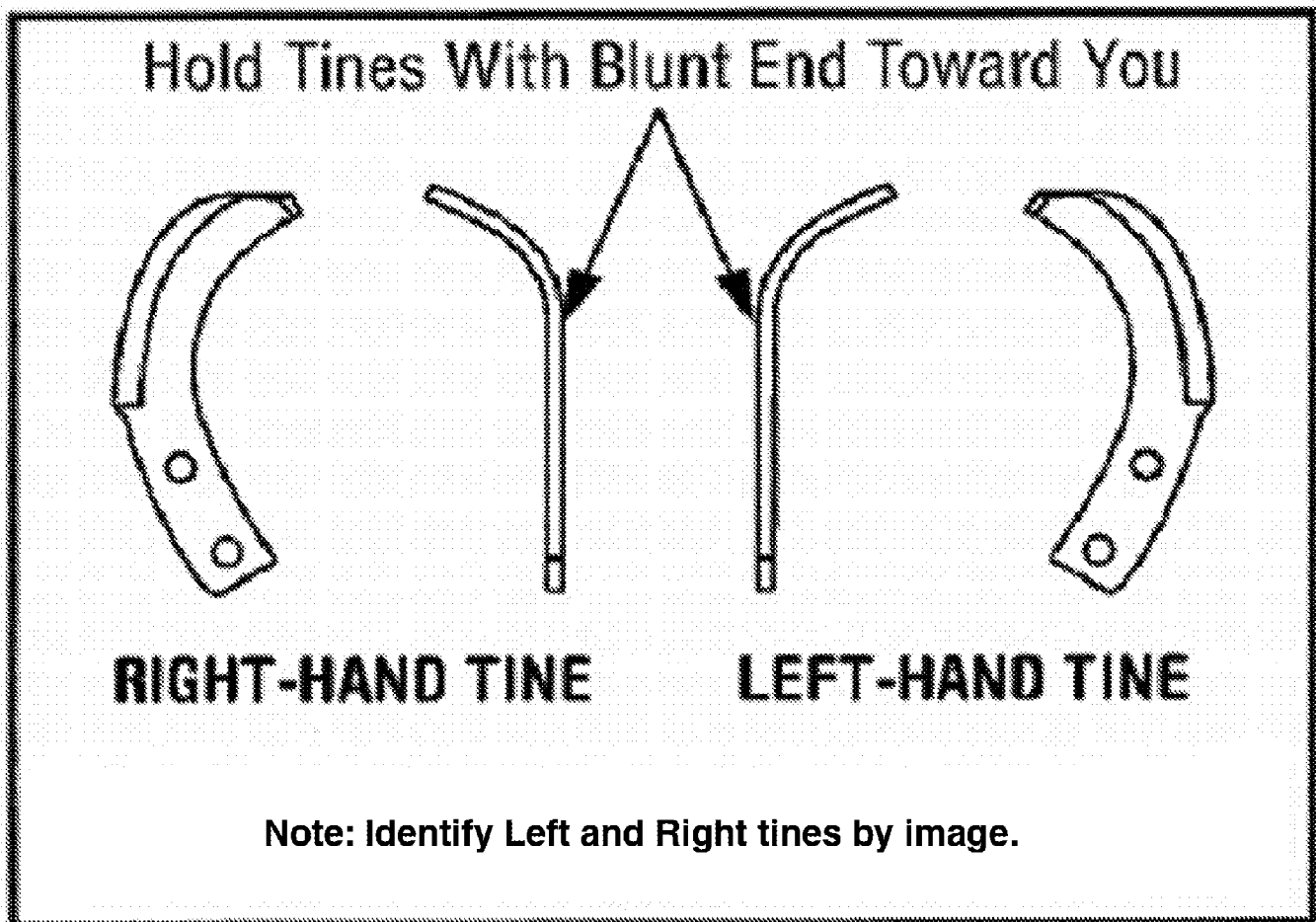


21A-655A766 160cc CRT Roto-Tiller (2008)
Quick Reference Proline & Super Bronco

Page 10 of 14

Ref #	Part Number	Qty	S/P/F	Description
	490-250-0009	1		Spark Plug
	NA	1		Pre Filter
	17211-ZL8-023	1		Air Filter
	754-04090	1	S	Drive Belt (FWD)
	754-04091	1	S	Drive Belt (REV)
	746-04208	1	S	Clutch Cable (FWD)
	746-04058	1	S	Clutch Cable (REV)
	742-04117-0637	1	S	Tines-Outer (LH)
	742-04116-0637	1	S	Tines-Outer (RH)
	NA	1		Tines-Inner (LH)
	NA	1		Tines-Inner (RH)
	NA	1		Rim
	NA	1		Tire
	734-04188	1		Wheel Assembly
	NA	1		Foam Grip
	NA	1		Handle Knob

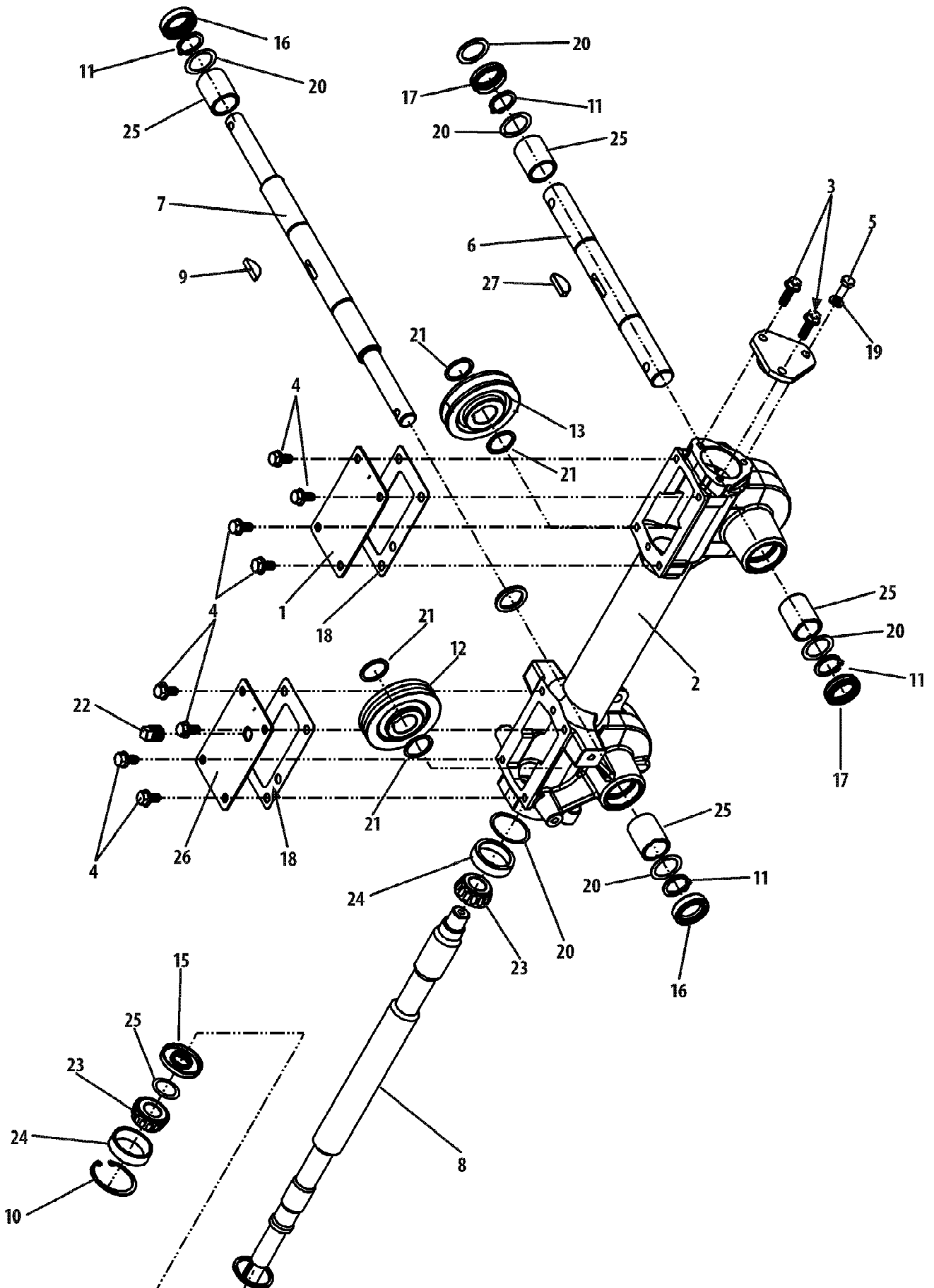
MODEL	LH Tine Part #	RH Tine Part #	Complete Set of 10000 Part #
Big Red	742-04119-0637	742-04118-0637	1901118
Horse	742-04119-0637	742-04118-0637	1901118
Pony	742-04119-0637	742-04118-0637	1901118
Pro-Line	742-04117-0637	742-04116-0637	GW-1901
Bronco	742-04117-0637	742-04116-0637	GW-1901
Tuffy	742-04117-0637	742-04116-0637	GW-1901



21A-655A766 160cc CRT Roto-Tiller (2008)
Tine Chart

Page 12 of 14

Ref #	Part Number	Qty	S/P/F	Description
	742-04116-0637	1	S	Tines
	742-04117-0637	1	S	Tines
	742-04118-0637	1	/P	Tines
	742-04119-0637	1	/P	Tines
	1901118	1	S	Set of Tines
	GW-1901	1	/P	Set of Tines



21A-655A766 160cc CRT Roto-Tiller (2008)
Transmission Assembly

Page 14 of 14

Ref #	Part Number	Qty	S/P/F	Description
1	1918377	1	S	Cover Housing
2	619-04013	1	S	Transmission Housing
3	710-04048	1	/P	Hex Head Flange Screw
4	710-04049	1	/P	Hex Head Flange Screw
5	710-3008	1	/P	Hex Screw
6	711-04076	1		Tiller Shaft
7	711-04488	1		Wheel Shaft
8	711-04882	1	S	Drive Shaft
9	714-04059	1	/P	Hi-Pro Key
10	716-04102	1	/P	Retaining Ring
11	716-04104	1	/P	Retaining Ring
12	717-04380	1	S	Worm Gear, 61T
13	717-04381	1	S	Worm Gear, 30T
14	718-04008	1	S	Rear Bearing Cover
15	721-04030	1	S	Oil Seal, .75 x 1.783
16	721-04031	1	S	Oil Seal, 1.0 x 1.499
17	721-04036	1	S	Oil Seal, 1.0 x 1.5
18	721-04229	1	S	Gear Housing Gasket
19	736-0119	1	S	Lock Washer
20	736-04309	1	/P	Flat Washer, 1.375 x 1.015 x .062 See diagram note.
20	736-04308	1	/P	Flat Washer, 1.5 x 1.75 x .01
20	736-04307	1	/P	Flat Washer, 1.5 x 1.75 x .03
20	736-04306	1	/P	Flat Washer, 1.5 x 1.75 x .005
20	736-04305	1	/P	Flat Washer, 1.5 x 1.75 x .062
20	736-04304	1	/P	Flat Washer, 1.25 x .75 x .06
20	736-04260	1		Flat Washer, 1.015 x 1.375 x .03
20	736-04259	1		Flat Washer, 1.015 x 1.375 x .015
20	736-04258	1	/P	Flat Washer, 1.015 x 1.375 x .01
20	736-04257	1	/P	Flat Washer, 1.015 x 1.375 x .005
21	736-04310	1		Flat Washer, 1.015 x 1.234 x .062
22	737-04202	1	/P	Pipe Plug
23	741-04298	1	S	Cone Bearing
24	741-04299	1	S	Cup Bearing
25	741-04300	1	S	Bushing, 1.005 x 1.25 x 1.5
26	786-04359	1		Transmission Cover
27	GW-1104	1	/P	Woodruff Key, .25 x 1.12