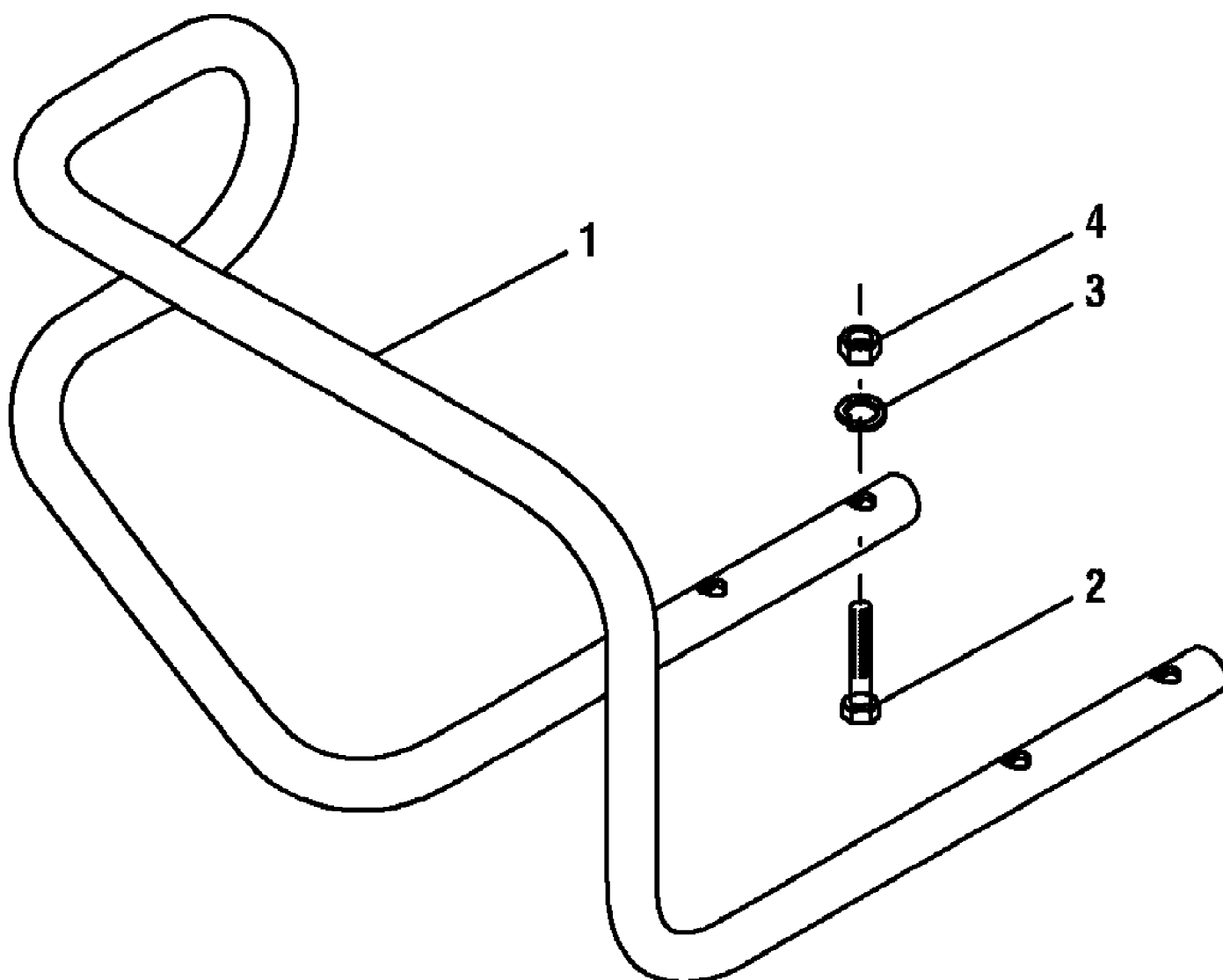


21A-644H063 6.75 HP Roto-Tiller (2003)
Bumper

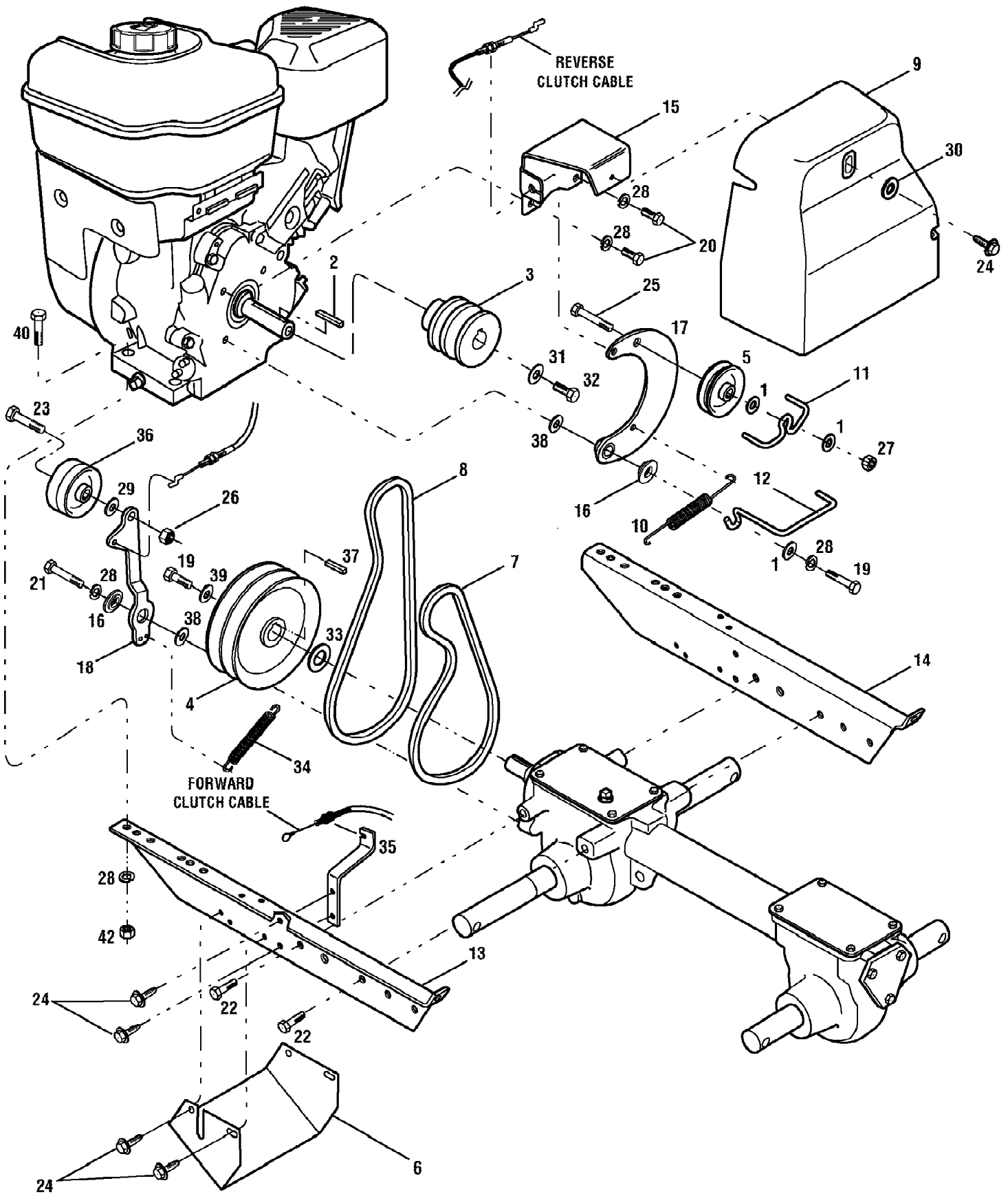


21A-644H063 6.75 HP Roto-Tiller (2003)
Bumper

Page 2 of 16

Ref #	Part Number	Qty	S/P/F	Description
1	1918749	1		Bumper
2	710-0395	1	/P	Hex Screw, 5/16-18 x 2-1/4, Gr5
3	712-0267	1	S	Nut, Hex, 5/16-18
4	736-0119	1	S	Lock Washer, 5/16

21A-644H063 6.75 HP Roto-Tiller (2003)
Drive

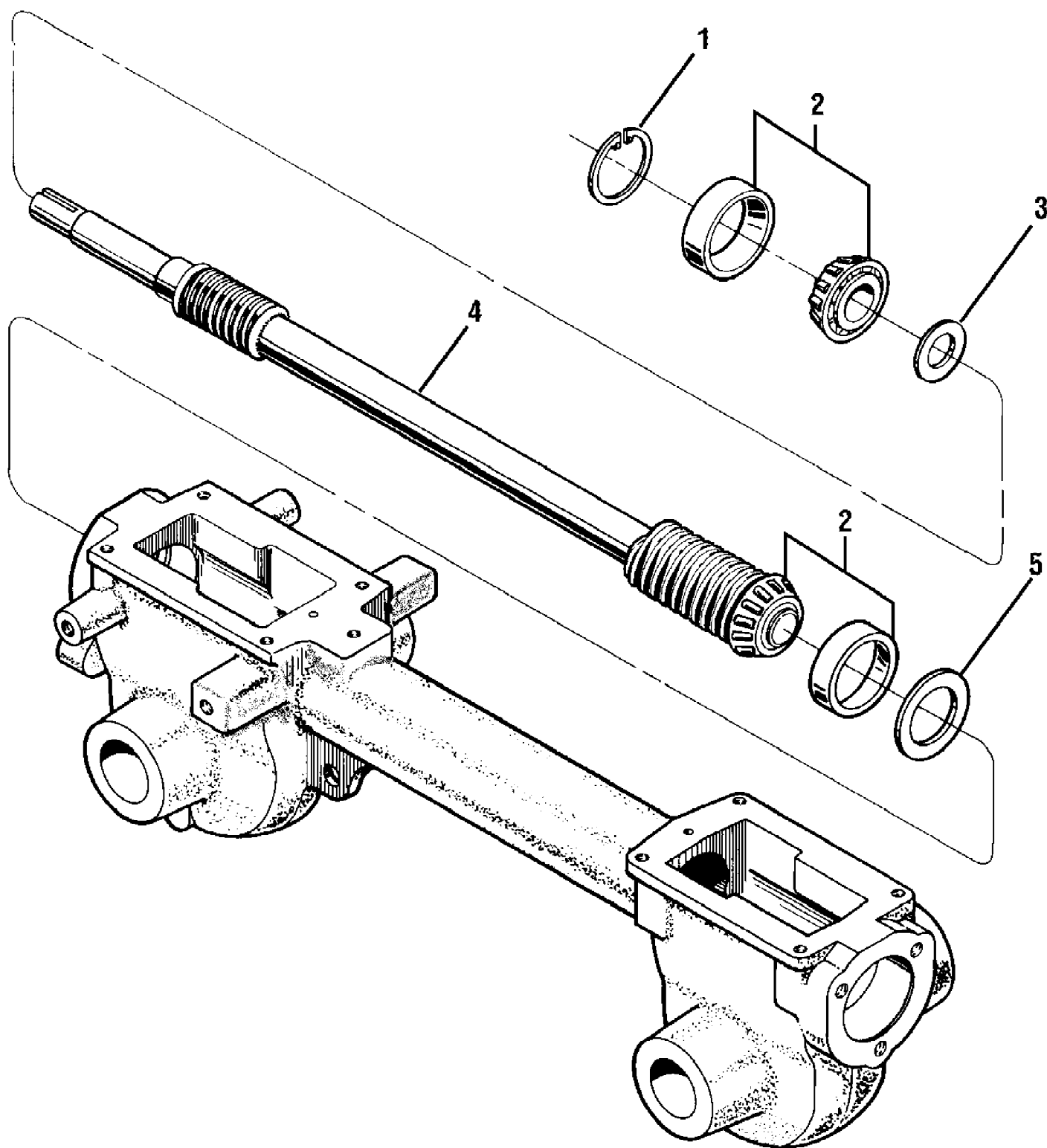


21A-644H063 6.75 HP Roto-Tiller (2003)
Drive

Page 4 of 16

Ref #	Part Number	Qty	S/P/F	Description
1	1107382	1	/P	Flat Washer, 5/16
2	1108841	1	S	Key, 3/16" x 1-1/2"
3	619-04016	1	S	Pulley, Engine Drive
4	1916532	1	S	Transmission Pulley
5	1916535	1	/P	Pulley, Reverse Idler
6	1916652	1	S	Guard, Belts/Pulleys
7	1916657	1	/P	Forward Drive Belt
8	1916658	1	/P	Reverse Drive Belt
9	1916660	1	S	Belt Cover
10	1916724	1	/P	Reverse Return Spring
11	1916725	1	S	Belt Guide
12	1916726	1	/P	Forward Belt Guide
13	1916794	1	S	Engine Bracket, Left
14	1916795	1	S	Engine Bracket, Right
15	1917326	1	S	Bracket, Belt Cover
16	1917746	1	S	Shoulder Washer
17	1918731	1	S	Reverse Idler Arm
18	1918744	1	S	Forward Idler Lever
19	710-0117	1	S	Hex Hd. Screw, 5/16-24 x 1
20	710-0237	1	/P	Hex Hd. Screw, 5/16-24 x 5/8
21	710-0376	1	/P	Hex Hd. Screw, 5/16-18 x 1
22	710-04049	1	/P	Hex Hd. Screw, 5/16-18 x 5/8
23	710-0520	1	/P	Hex Hd. Screw, 3/8-16 x 1-1/2
24	710-0599	1	/P	Screw, Self-Tapping, 1/4-20 x 1/2
25	710-3103	1	/P	Hex Hd. Screw, 5/16-18 x 2
26	712-3000	1	S	Lock Nut, 3/8-16
27	712-3009	1	S	Lock Nut, 5/16-18
28	736-0119	1	S	Lock Washer, 5/16
29	736-3050	1	/P	Flat Washer, 3/8
30	736-3090	1	/P	Flat Washer
31	736-0452	1	S	Bell Washer
32	710-0459A	1	/P	Hex Hd. Screw, 3/8-24 x 1.5, GR5
33	GW-50027	1	/P	Support Washer
34	GW-55034	1	S	Forward Return Spring
35	GW-55049	1		Bracket, Cable Mounting
36	GW-9090	1	S	Forward Idler Pulley
37	GW-9301	1	S	Key, 3/16" x 1"
38	GW-9929	1	/P	Flat Washer
39	GW-9944	1	S	Belleville Washer
40	710-0395	1	/P	Hex Screw, 5/16-18 x 2.25 Gr5
42		1		UNKNOWN

21A-644H063 6.75 HP Roto-Tiller (2003)
Drive Shaft



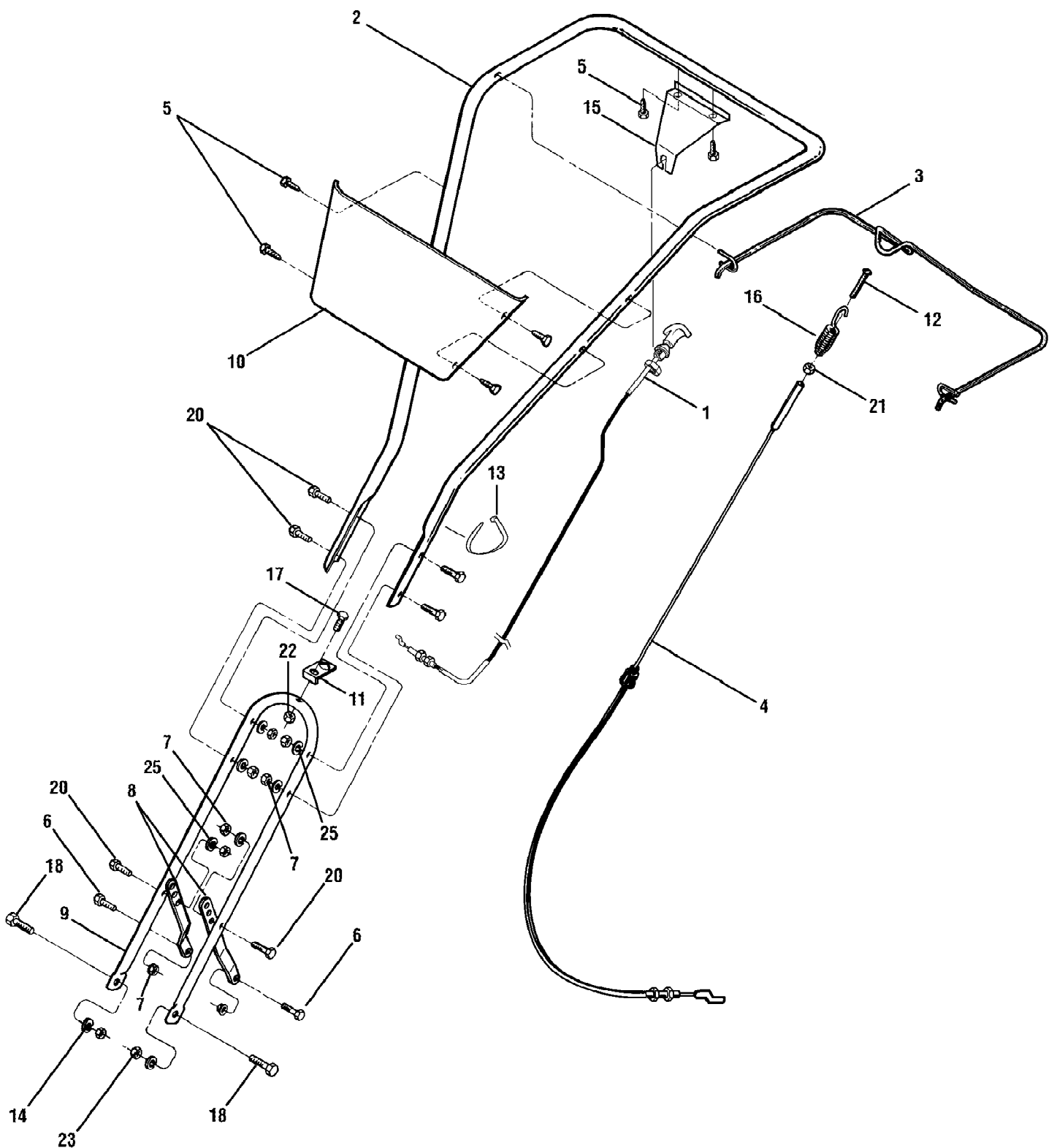
21A-644H063 6.75 HP Roto-Tiller (2003)
Drive Shaft

Page 6 of 16

Ref #	Part Number	Qty	S/P/F	Description
1	GW-9517	1	S	Snap Ring
2	GW-1714	1	S	Bearing, Tapered Roller (with race)
3	GW-50043	1	S	Support Washer, Rear
4	711-04110	1	S	Drive Shaft (CRT)
5	GW-1224-1	1	S	Shim, Rear Bearing Cap, .010" thick Use as required to obtain between .005" and .015" allowable end-play.
	GW-1224-2	1	S	Shim, same as above, except .030" thick Use as required to obtain between .005" and .015" allowable end-play.
	GW-1224-3	1	S	Shim, same as above, except .005" thick Use as required to obtain between .005" and .015" allowable end-play.
	GW-1224-4	1	S	Shim, same as above, except .062" thick Use as required to obtain between .005" and .015" allowable end-play.
	GW-1325C	1	/P	Shim Set (Incl. the following shims: two #1224-1, two 1224-2 & one #1224-4)

21A-644H063 6.75 HP Roto-Tiller (2003)
Handlebar

Page 7 of 16

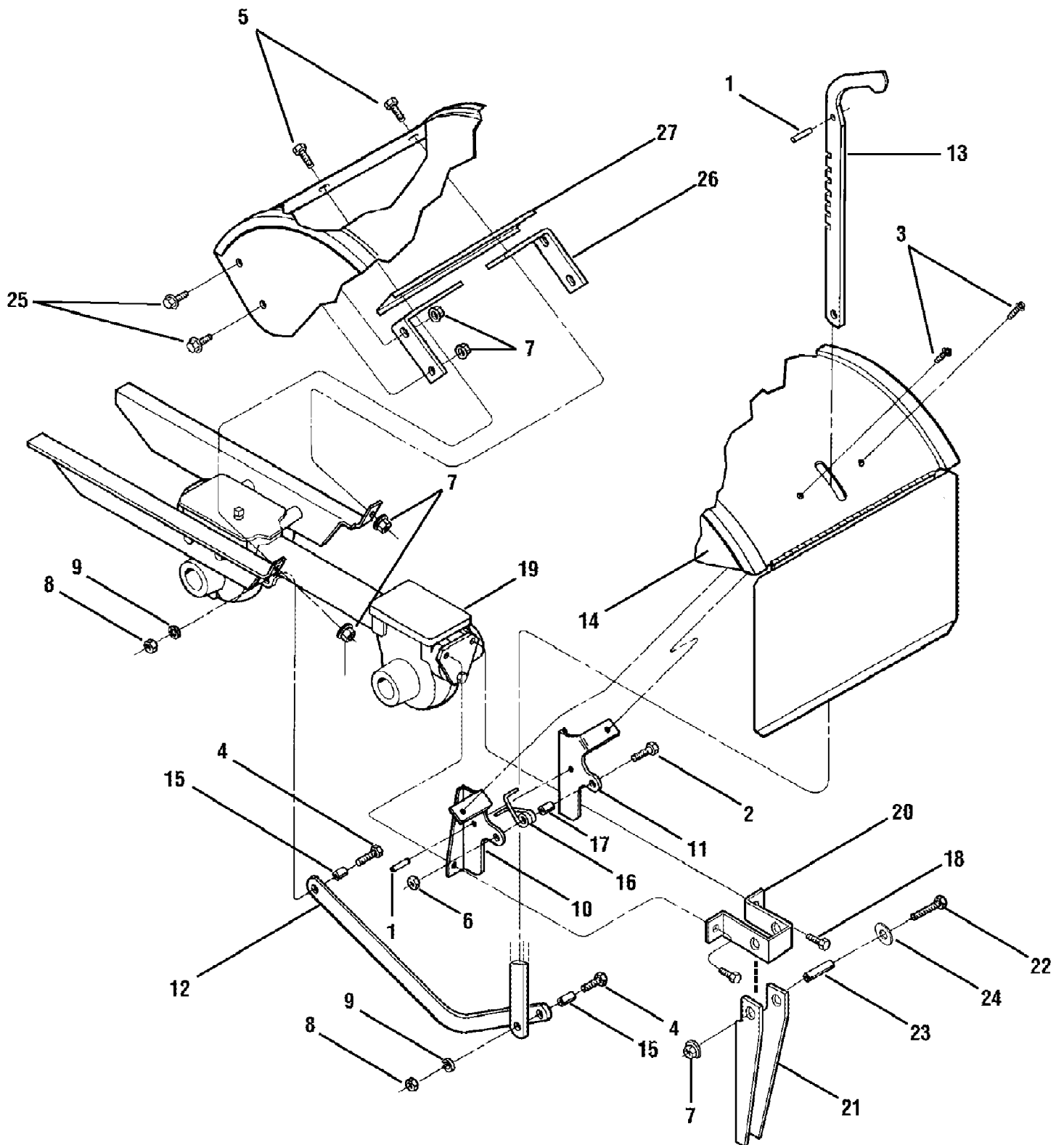


21A-644H063 6.75 HP Roto-Tiller (2003)
Handlebar

Page 8 of 16

Ref #	Part Number	Qty	S/P/F	Description
1	1916719	1	S	Cable Assembly, Reverse Clutch
2	1916996	1	S	Upper Handlebar
3	GW-55104	1	S	Bail, Forward Clutch
4	1918745	1	S	Cable Assembly, Forward Clutch
5	710-0599	1	/P	Screw, Self-Tapping, 1/4-20 x 1/2
6	710-3008	1	/P	Screw, Hex, 5/16-18 x 3/4
7	712-3009	1	S	Hex Lock Nut, 5/16-18
8	GW-55042	1	S	Handlebar Support
9	GW-55043	1	S	Lower Handlebar
10	GW-55102	1		Panel
11	GW-55044	1	/P	Tab, Conduit Mount
12	GW-9855	1	S	Screw, #10-24 x 2
13	725-0157	1	/P	Cable Tie
14	736-3050	1	/P	Flat Washer, 3/8
15	1916674001	1	S	Bracket, Reverse Clutch Cable
16	1916712	1	/P	Spring, Forward Clutch
17	710-0106	1	/P	Hex Hd. Screw, 1/4-20 x 1-1/4
18	710-0216	1	/P	Screw, Hex, 3/8-16 x 3/4
20	710-0805	1	/P	Screw, Hex, 5/16-18 x 1-1/2
21	712-0121	1	S	Hex Nut, #10-24
22	712-0291	1	S	Hex Lock Nut, 1/4-20
23	712-3000	1	S	Hex Nut, 3/8-16
25	736-0119	1	S	Lock Washer, 5/16

21A-644H063 6.75 HP Roto-Tiller (2003)
Hood, Bracket And Depth Regulator

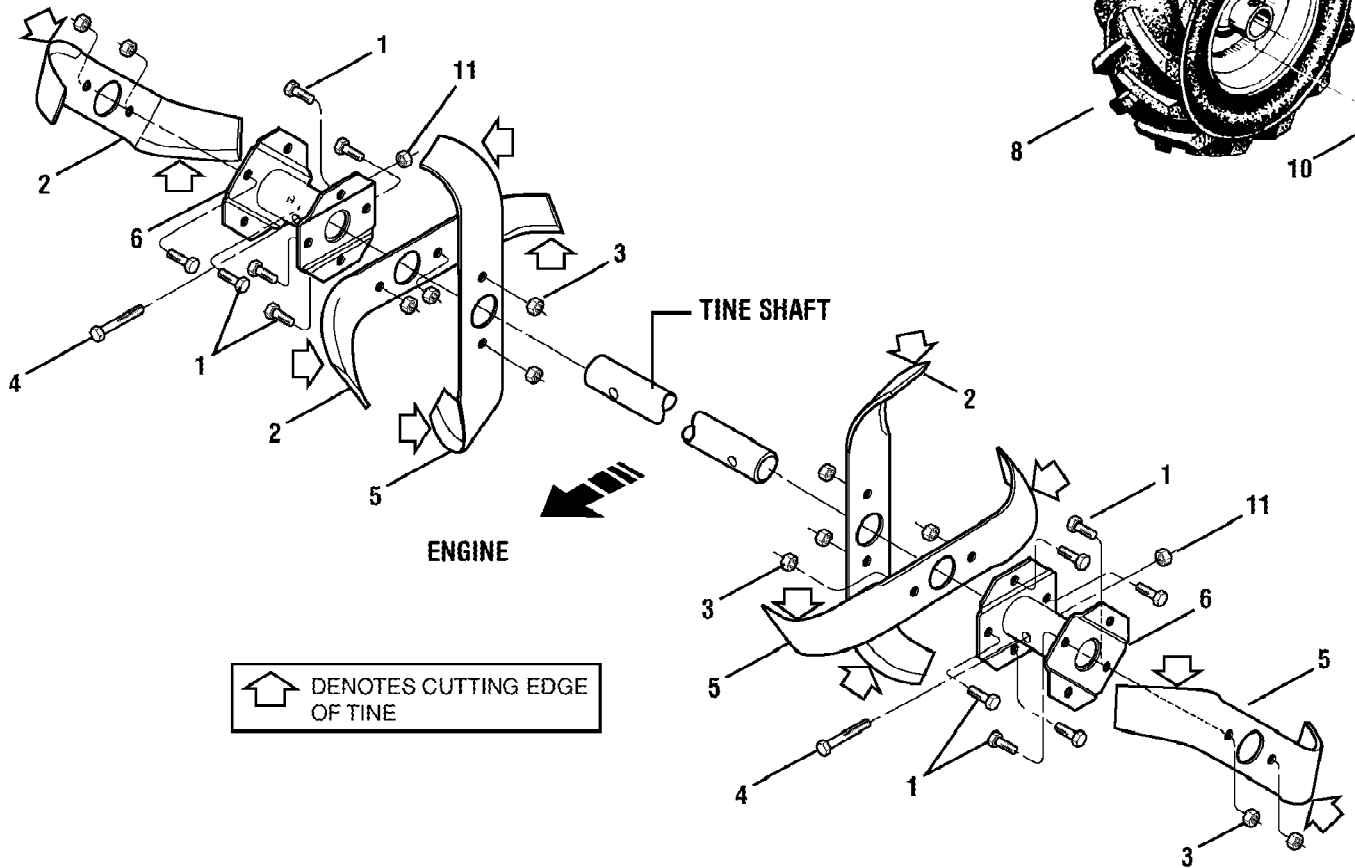
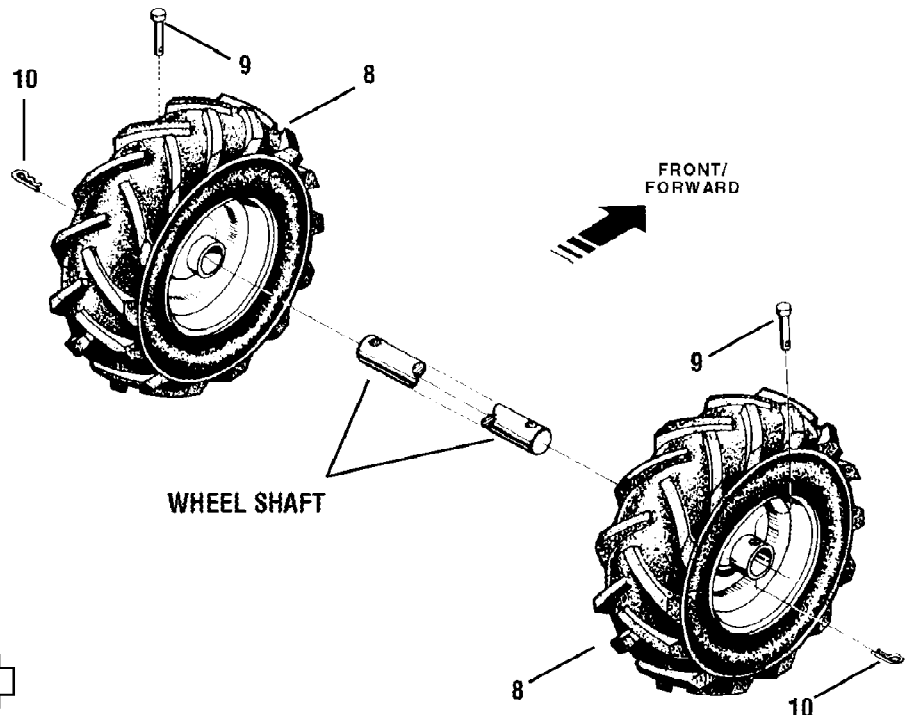
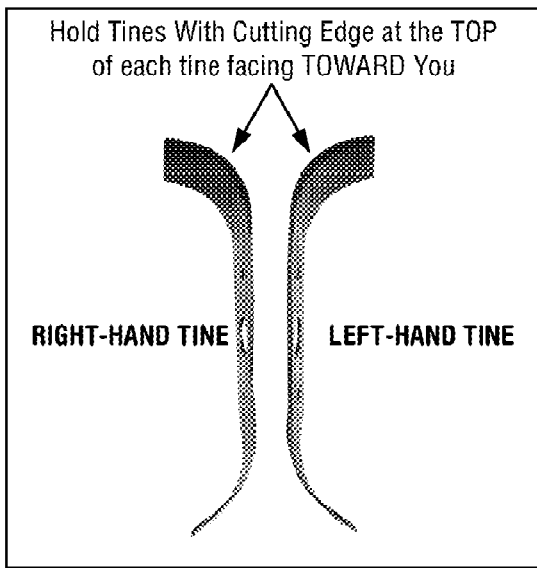


21A-644H063 6.75 HP Roto-Tiller (2003)
Hood, Bracket And Depth Regulator

Page 10 of 16

Ref #	Part Number	Qty	S/P/F	Description
1	1185469	1	S	Spirol Pin
2	710-0597	1	/P	Hex Hd. Screw, 1/4-20 x 1
3	710-0599	1	/P	Screw, Self-Tapping, 1/4-20 x 1/2
4	710-0874	1	/P	Hex Hd. Screw, 5/16-18 x 1-1/4
5	1186331	1	S	Hex Hd. Screw, 5/16-18 x 1.0
6	712-0291	1	S	Hex Lock Nut, 1/4-20
7	712-3004A	1	/P	Hex Flange Lock Nut, 5/16-18
8	712-3009	1	S	Hex Nut, 5/16-18
9	736-0119	1	S	Lock Washer, 5/16
10	1916120001	1	S	Hood Bracket, Left Hand
11	1916119001	1	S	Hood Bracket, Right Hand
12	1916121001	1	S	Drag Bar
13	GW-55018	1	S	Depth Regulator Lever
14	686-04029	1	S	Tine Hood Assembly
15	GW-55088	1	/P	Bushing
16	GW-9384	1	S	Spring, Depth Regulator
17	GW-9534	1	/P	Spacer
18	710-04048	1	/P	Hex Hd. Flange Screw, 5/16-18 x 1
19	618-04046	1	S	Transmission Assembly (CRT)
20	1916569001	1	S	Flap Stop Bracket
21	1916570001	1	S	Reverse Stop Arm
22	710-3073	1	S	Hex Screw, 5/16-18 x 2.25
23	1916771	1	/P	Spacer, .462 x .328 x 1.63
24	1107382	1	/P	Flat Washer, 5/16
25	710-3025	1	/P	Hex Screw, 5/16-18 x .625
26	1916708001	1	S	Hood Support Bracket
27	1916707001	1	/P	Channel Support Bracket

21A-644H063 6.75 HP Roto-Tiller (2003)
Tines & Wheels

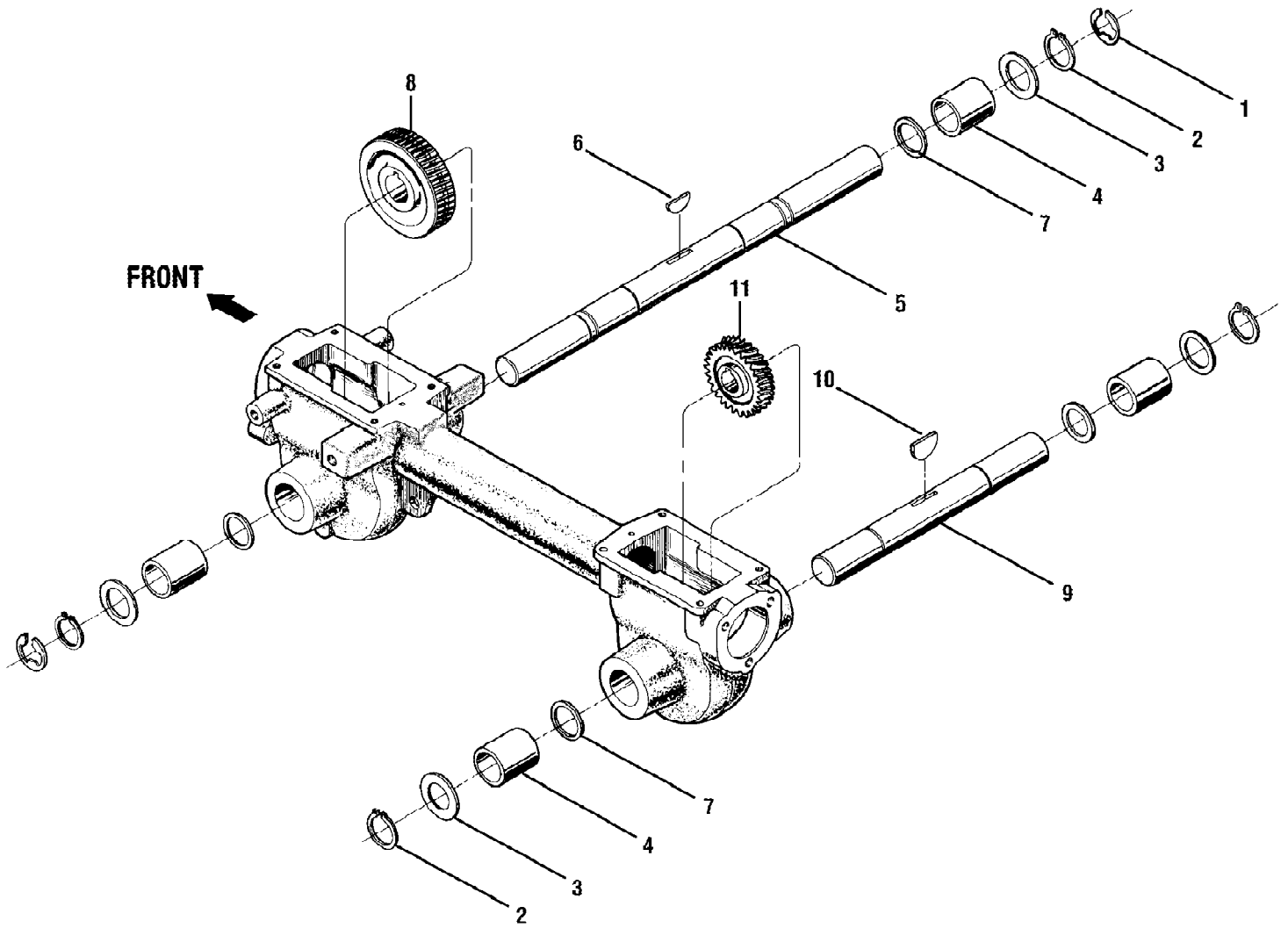


21A-644H063 6.75 HP Roto-Tiller (2003)
Tines & Wheels

Page 12 of 16

Ref #	Part Number	Qty	S/P/F	Description
1	710-3008	1	/P	Hex Hd. Screw, 5/16-18 x 3/4, Grade 5
2	1817060	1	S	Single Tine - Right Hand
3	712-3009	1	S	Hex Lock Nut, 5/16-18
4	710-3096	1	/P	Hex Hd. Screw, 3/8-16 x 2
5	1817059	1	S	Single Tine - Left Hand
6	1916702	1		LH Tine Holder
?7	1916703	1		RH Tine Holder
8	1917487	1	S	Wheel & Tire Ass'y - Left/Right Side
9	GW-9380	1	S	Clevis Pin, .312" x 1-3/4"
10	GW-9338	1	S	Hair Pin Cotter
11	712-3000	1	S	Hex Lock Nut, 3/8-16
	1916783	1	/P	Replacement Tines Set (Incl. three LH tines, three RH tines and required hardware)

21A-644H063 6.75 HP Roto-Tiller (2003)
Transmission

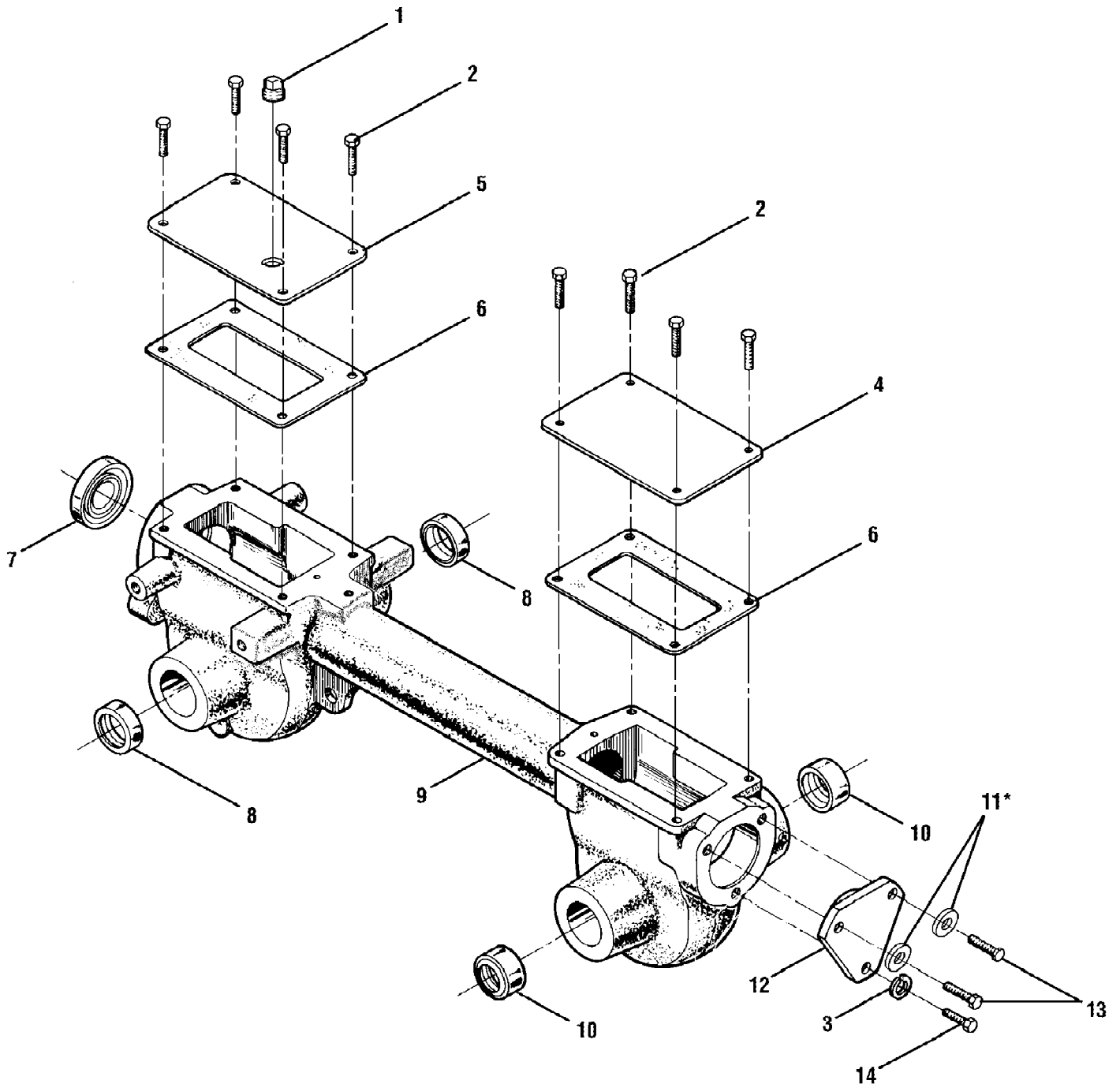


21A-644H063 6.75 HP Roto-Tiller (2003)
Transmission

Page 14 of 16

Ref #	Part Number	Qty	S/P/F	Description
1	GW-9512	1	/P	Retainer, Snap Ring, "E" Type
2	1909950	1	S	Retainer, Snap Ring
3	GW-1166-1	1	S	Shim, 0.062" thick Use as required to obtain between .005" and .030" allowable end-play.
	GW-1166-2	1	/P	Shim, 0.030" thick Use as required to obtain between .005" and .030" allowable end-play.
	GW-1166-3	1	/P	Shim, 0.015" thick Use as required to obtain between .005" and .030" allowable end-play.
	GW-1166-4	1	S	Shim, 0.010" thick Use as required to obtain between .005" and .030" allowable end-play.
	GW-1166-5	1	S	Shim, 0.005" thick Use as required to obtain between .005" and .030" allowable end-play.
4	GW-1086	1	S	Bronze Bushing
5	711-04092	1	S	Wheel Shaft (CRT)
6	GW-9305	1	S	Key, Hi-Pro, 1/4 x 1
7	GW-1132-2	1	/P	Spacer
8	1904278	1	S	Worm Gear, Wheel Shaft
9	711-04078	1	S	Tiller Shaft
10	GW-1104	1	/P	Woodruff Key
11	1904279	1	S	Worm Gear, Tiller Shaft

21A-644H063 6.75 HP Roto-Tiller (2003)
Transmission Housing



* Included with transmission when purchased as an assembly only.
Remove and discard when installing the transmission on tiller.

21A-644H063 6.75 HP Roto-Tiller (2003)
Transmission Housing

Page 16 of 16

Ref #	Part Number	Qty	S/P/F	Description
1	GW-9727	1	S	Plug, Transmission Oil Fill
2	710-04049	1	/P	Hex Hd. Flange Screw, 5/16-18 x 5/8, Gr. 5
3	736-0119	1	S	Lock Washer, 5/16
4	1918377	1	S	Rear Cover, Transmission
5	1916641	1	S	Front Cover, Transmission
6	GW-50032	1	S	Gasket, Housing Cover
7	721-04030	1	S	Oil Seal, Drive Shaft
8	721-04031	1	S	Oil Seal, Wheel Shaft
9	619-04013	1	S	Transmission Housing Assembly
10	721-04036	1	S	Oil Seal, Tine Shaft
11	736-3008	1	S	Washer, Flat, .344 x .750 x .120
12	718-04008	1	S	Rear Bearing Cap
13	710-04048	1	/P	Hex Hd. Flange Screw, 5/16-18 x 1
14	710-3008	1	/P	Hex Hd. Flange Screw, 5/16-18 x 3/4