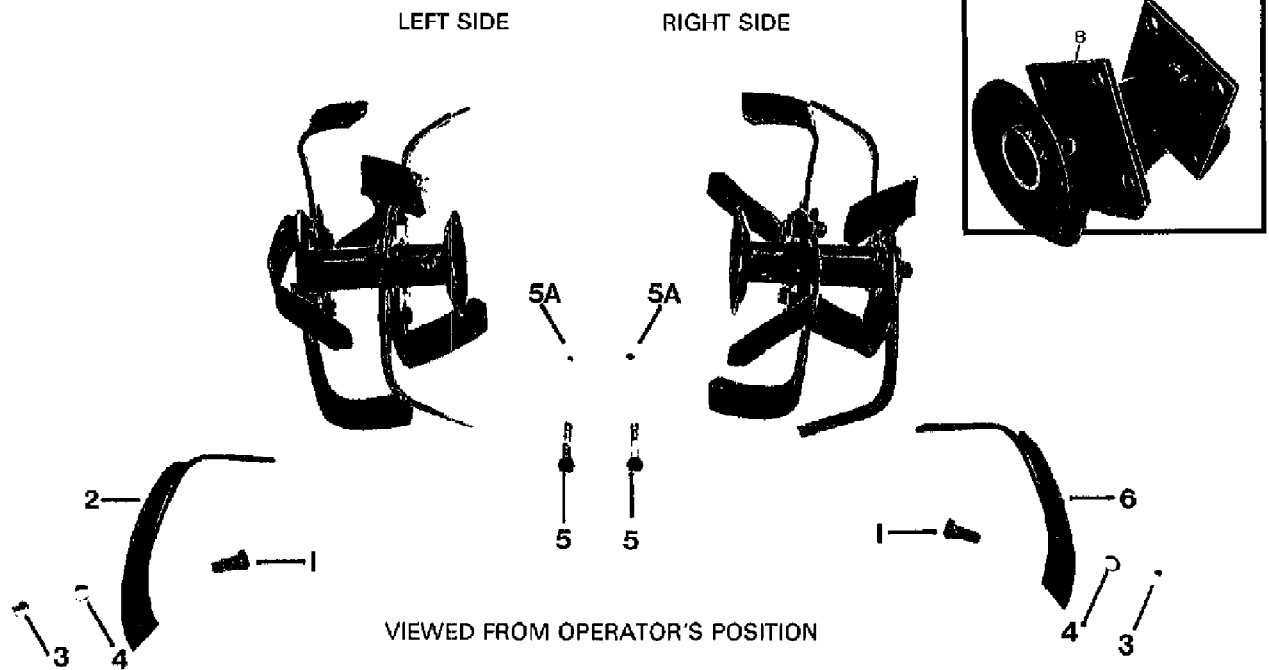


5151 Pony V
Battery Mounting Bracket

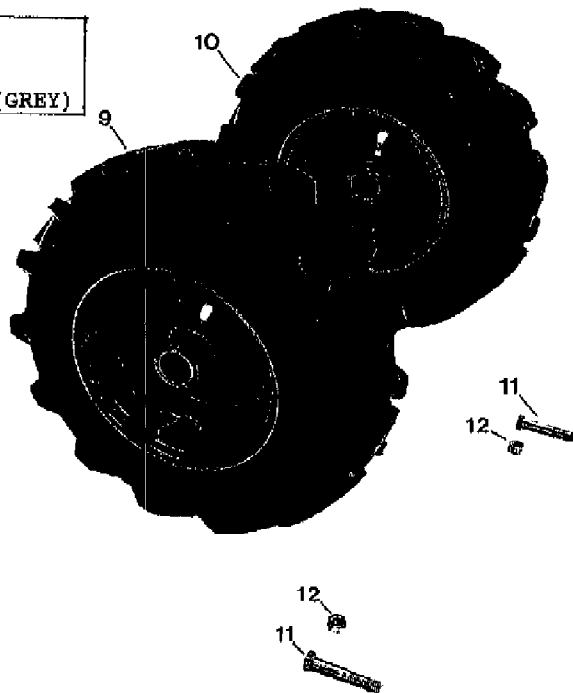
Page 2 of 24

Ref #	Part Number	Qty	S/P/F	Description
2	9296	2		CABLE- battery (replaces #9223)
4	9224	1		CLIP- vent tube shield (small)
6	9826	2		NUT- hex, 5/16"-24
7	9912	4		LOCKWASHER-5/16"
8	1959	1		SOLENOID- incl. nuts & washers for cables and wires
9	9552	3	S	SCREW-flanged hex head, self-threading 1/4"-20 x 1/2"
17	9243	1		KEY- ignition (pair of keys incl.)
24		2		NUT-cable to battery, metric size 6mm -1mm pitch tap, orig. equipment-not avail. from Garden Way (use #9800 below for equivalent replacement In U.S. size)
25	9222	1		CABLE-solenoid to starter
26	9809	1		NUT- hex, #10-32
27	9921	1	S	LOCKWASHER-external tooth, #10
28	9910	2		LOCKWASHER-1/4"
29	9800	1		NUT- hex head, 1/4"-20
30		2		BOLT-hex head/philips head combination, metric size 6mm-1mm pitch x 12mm lg. orig. equipment-not avail. from Garden Way (use #9775 below for equivalent replacement in U.S. size)
	9775	1		BOLT-slotted hex head, 1/4"-20 x 1/2" (replacement hardware for cable to battery connection)
31	9566	2		BOLT- round head, square neck 1/4"-20 x 1 1/4"
32	20637	1		BATTERY HOLD-DOWN CLAMP-with attached Key Switch Plate (incl. #20418 decal)
33	9704	2		BOLT- hex head, 5/16"-18 x 1"
34	20723	1		BATTERY BRACKET
36	20418	1		DECAL-key switch Instructions
38	9255	2		RUBBER BOOT-terminal Insulating

5151 Pony V
Bolo Tines, Wheels (Part 1)



WHEEL & TIRE ASSY
INDIVIDUAL SERVICE PARTS
20676 - TIRE ONLY
20917 - WHEEL RIM ONLY (GREY)

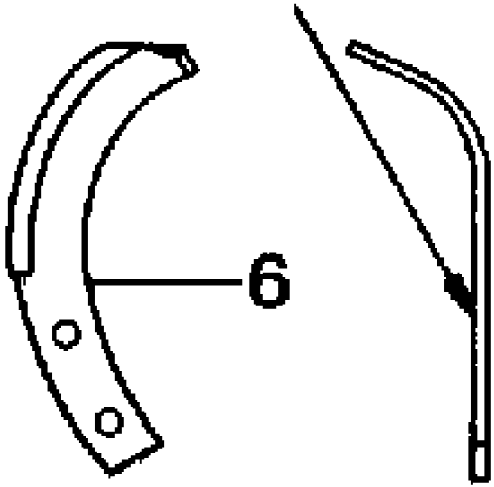


5151 Pony V
Bolo Tines, Wheels (Part 1)

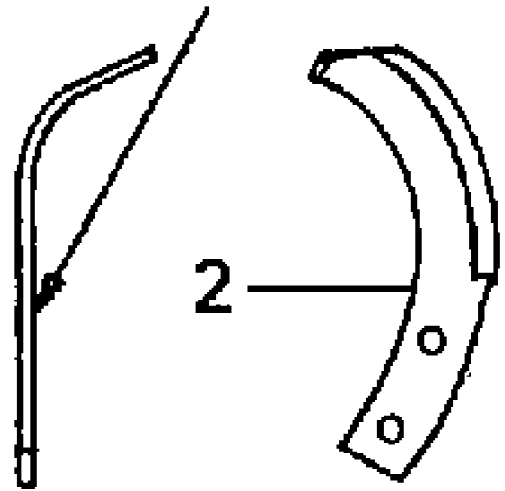
Page 4 of 24

Ref #	Part Number	Qty	S/P/F	Description
1	9711	16		BOLT-hex head, 3/8"-16 x 1", grade 5, tine mounting
2	1270-2A	8	S	BOLO TINE-single, RIGHT HAND tine used on left side of tiller
3	9802	16		NUT- hex, 3/8"-16
4	9913	16		LOCKWASHER-3/8"
5	9761	2		BOLT- hex head, 3/8"-16 x 2",grade 8 (holder to tiller shaft)
5A	9807	2		LOCKNUT-hex, 3/8"-16
6	1270-1A	8	S	BOLO TINE-single, LEFT HAND tine used on right side of tiller:
8	20770	2		TINE HOLDER- for bolo tines, left and right sides
	1348	1		REPLACEMENT SET OF 16 BOLO TINES - including eight right-hand tines; eight left-hand tines; and all assembly hardware (16 each 9711 bolt, 9802 hex nut, 9913 lockwasher)
9	20678-01	1		WHEEL & TIRE ASSEMBLY-left side, 4.10 x 6" tire mounted on 6" wheel, tubeless pneumatic (10-20 lbs. air required), tractor tread
10	20678-02	1		WHEEL & TIRE ASSEMBLY- right side, same specs. as above
11	9741	2	S	BOLT-5/16"-18 x 2" (Grade 5), secures wheel hub to wheel shaft
12	9808	2		LOCKNUT-5/16"-18

BLUNT END TOWARDS YOU



LEFT HAND TINE



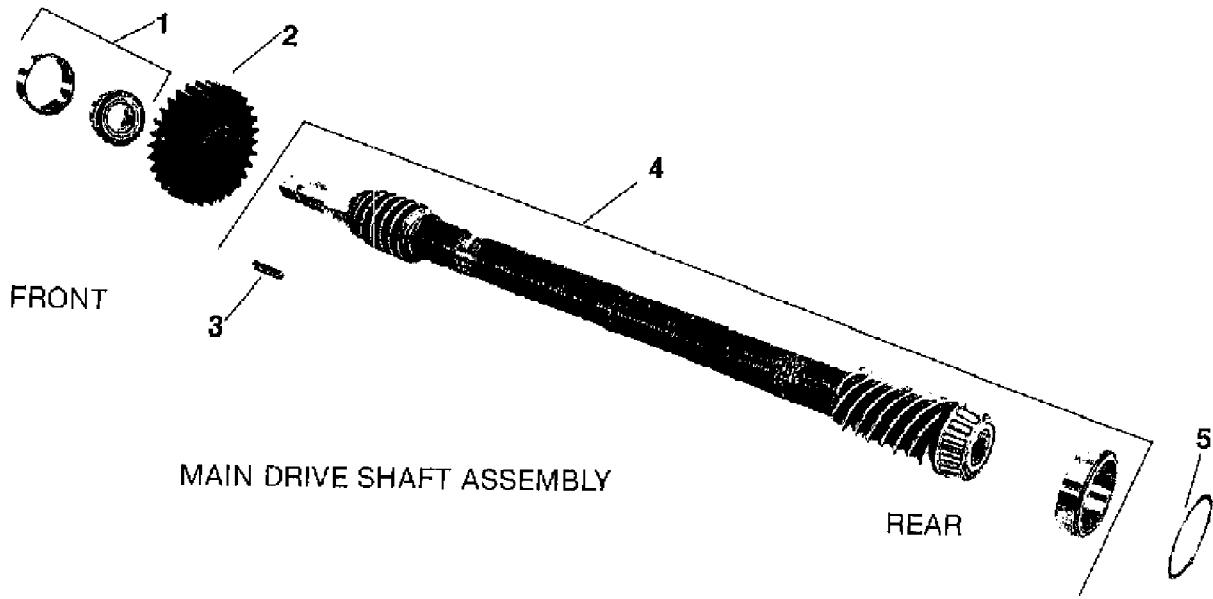
RIGHT HAND TINE

5151 Pony V
Bolo Tines, Wheels (Part 2)

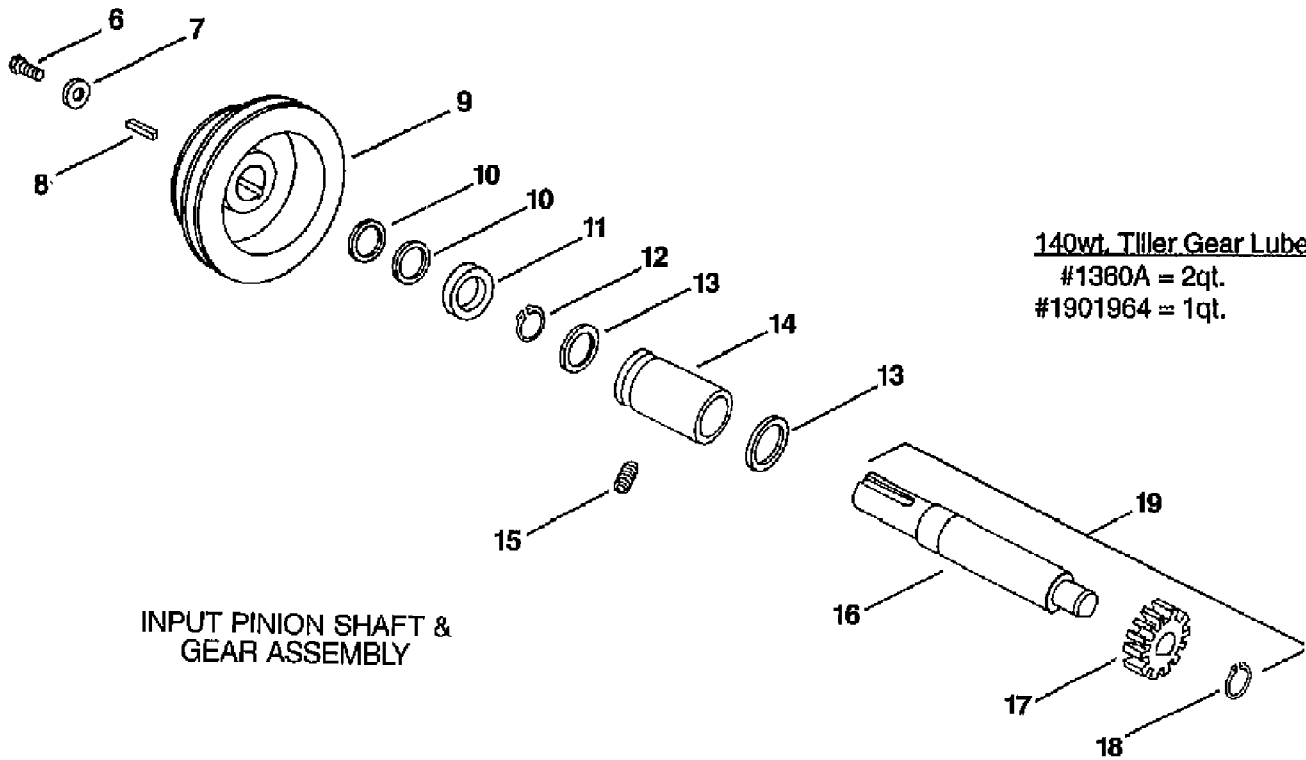
Page 6 of 24

Ref #	Part Number	Qty	S/P/F	Description
2	1270-2A	8	S	BOLO TINE-single, RIGHT HAND tine used on left side of tiller
6	1270-1A	8	S	BOLO TINE-single, LEFT HAND tine used on right side of tiller:

5151 Pony V
Drive Shaft, Input Pinion Shaft & Gear Assemblies



MAIN DRIVE SHAFT ASSEMBLY



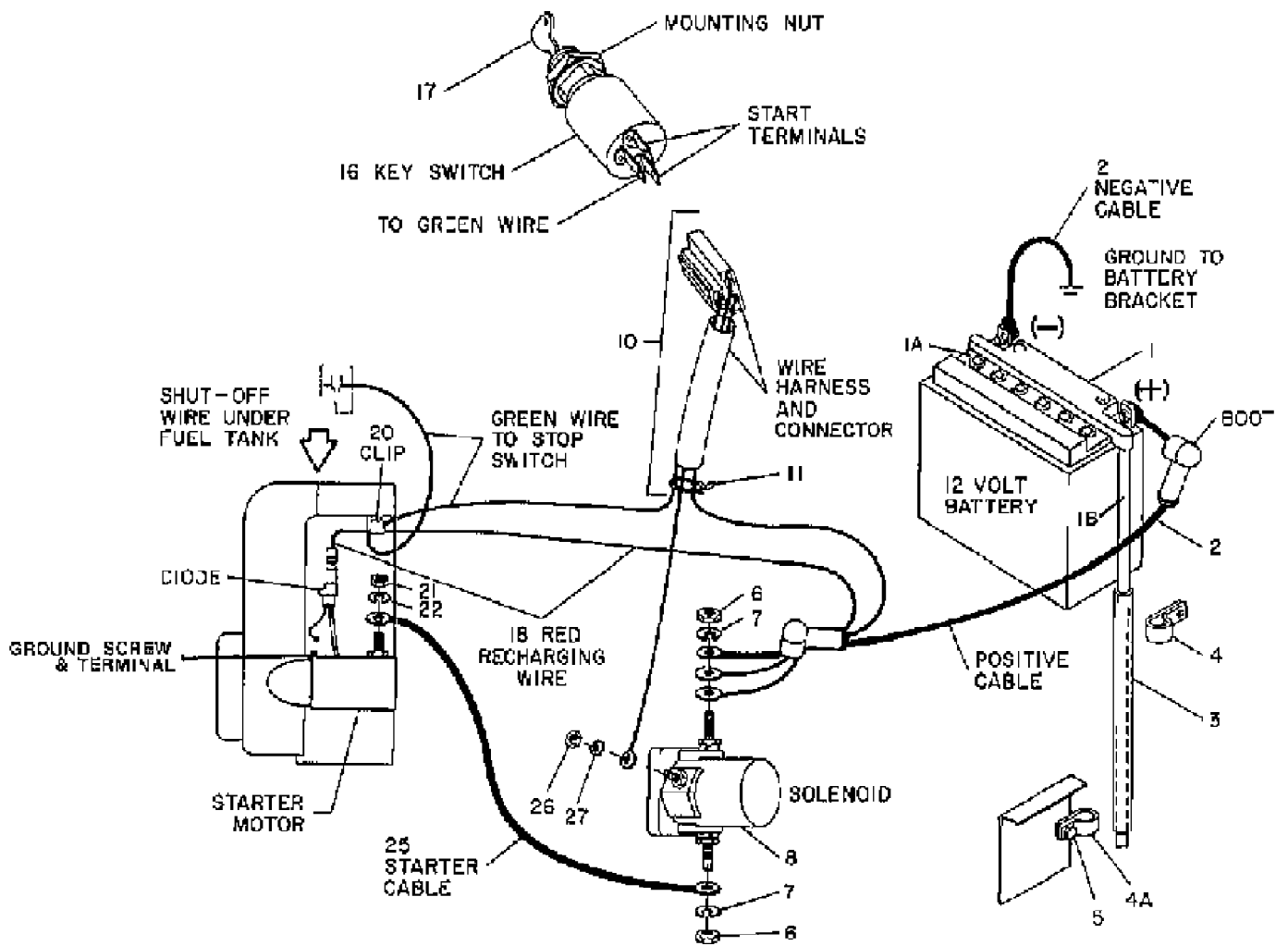
INPUT PINION SHAFT &
GEAR ASSEMBLY

140wt. Tiller Gear Lube
#1380A = 2qt.
#1901964 = 1qt.

5151 Pony V
Drive Shaft, Input Pinion Shaft & Gear Assemblies

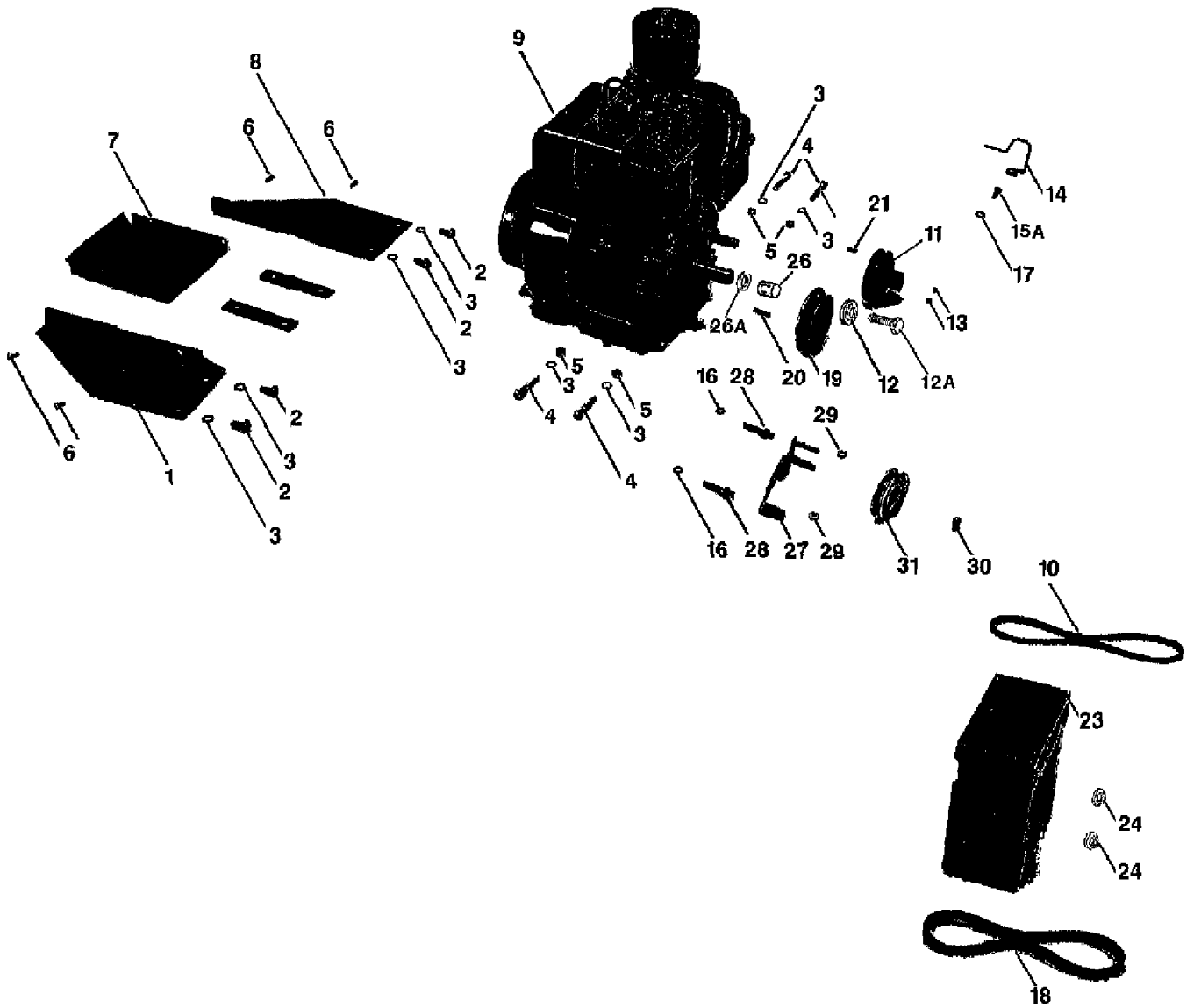
Page 8 of 24

Ref #	Part Number	Qty	S/P/F	Description
1	1714	1	S	BEARING-tapered roller with race (front of driveshaft)
2	20718	1	S	GEAR-spur, main drive shaft
3	9301	1	S	KEY-3/16" sq. x 1"
4	10380	1		DRIVE SHAFT-inertia welded shaft with welded, single-lead hardened steel worm at front to drive the wheel worm gear, and welded six-lead hardened steel worm at rear to drive the tiller gear (also includes pressed-on #1714 rear roller bearing, race for bearing; and #9301 key)
5	1224-1	A/R	S/F	SHIM- rear bearing cap, .010" thick
5	1224-2	A/R	S/F	SHIM-same as above, but .030" thick
5	1224-3	A/R	S/F	SHIM- same as above, but .005" thick
	1325C	A/R	S	SHIM SET- includes the following shims: two #1224-1; two #1224-2; one #1224-3
6	9655	1	S	BOLT-hex head, 5/16"-24 x 3/4" (Grade 5)
7	9944	1	S	WASHER-disc spring (concave surface faces pulley)
8	9301	1	S	KEY-3/16" sq. x 1"
9	20766	1		PULLEY-transmission drive pulley, 2 grooves (one for forward speed; one for reverse speed)
10	1440	2	S	WASHER-support
11	9600	1		OIL SEAL-input pinion shaft, front
12	9500	1	S	RING -retaining (snap ring), external
13	9953	2	S	WASHER-thrust
14	9428	1	S	BUSHING-
15	9677	1	S	SET SCREW-5/16"-18 x 3/8"
16	20791	1	S	INPUT PINION-steel shaft
17	20792	1	S	GEAR-input pinion
18	9093	1	S	RING-retaining (snap ring), external
19	20799	A/R	S	PINION ASSEMBLY- includes #20791 input pinion shaft, #20792 gear, and #9093 retaining ring



Ref #	Part Number	Qty	S/P/F	Description
1	9234	1		BATTERY-12 volt, 12 ampere (incl. hardware to connect battery cable terminals to battery posts)
1A	9462	A/R		CAP-battery, yellow replacement cap
	9248	A/R		CAP-battery, white replacement cap
1B	9247	1		VENT TUBE- battery
2	9296	2		CABLE- battery (replaces #9223)
3	1475	1		VENT TUBE SHIELD- plastic
4	9224	1		CLIP- vent tube shield (small)
4A	1479	1		CLIP- vent tube shield (large)
5	9703	1		BOLT- hex head, 5/16"-18 x 3/4", (see Index No. 1, 2, 3-on pg. 6)
6	9826	2		NUT- hex, 5/16"-24
7	9912	4		LOCKWASHER-5/16"
8	1959	1		SOLENOID- incl. nuts & washers for cables and wires
10	20424	1		WIRE HARNESS & CONNECTING TERMINAL ASSY. (avail. as complete unit only)-incl.: wire assy. w/connector to large solenoid stud (red wire); wire assy. w/connector to small solenoid stud (red wire); wire assy. w/connector to ground shut-off (green wire); tube; wire harness; connector; wire terminal
11	9265	1	S	TIE- plastic, wire retaining
16	9230	1		KEY SWITCH
17	9243	1		KEY- ignition (pair of keys incl.)
18	1554	1		WIRE ASSEMBLY-recharging
20	9218	2	S	CLIP-holds recharging line
21		1		NUT-hex, #10-24 (not avail. from Garden Way)
22		1		LOCKWASHER-#10 (not avail. from Garden Way)
25	9222	1		CABLE-solenoid to starter
26	9809	1		NUT- hex, #10-32
27	9921	1	S	LOCKWASHER-external tooth, #10

5151 Pony V
Engine & Support Brackets, Pulleys, Belts, Belt Cover



Ref #	Part Number	Qty	S/P/F	Description
1	20754	1		SUPPORT BRACKET-engine, left side
2	9703	4		BOLT-hex head, 5/16-18 x 3/4", brackets to transmission
3	9912	8		LOCKWASHER-5/16"
4	9758	4		BOLT-5/16"-18 x 1 1/2"
5	9801	4		NUT-hex, 5/16"-18
6	9768	4		SCREW-hex head, No. 10-32 x 1/2" self-tapping (sems-with permanent washer)
7	20673	1	S	SUPPORT BRACKET(PAN)-engine,front
8	20755	1	S	SUPPORT BRACKET-engine, right side
9		1		ENGINE - Briggs & Stratton, standard recoil start with Magnetron ignition, 5 HP, Model 130292, Type 1900-01
9		1		ENGINE-Briggs & Stratton, electric start with Magnetron ignition, 5HP, Model 130297, Type 1901-01
10	50134	1	S	V-BELT-Reverse (See V-Belt Set Below)
11	20503	1		REVERSE PULLEY- engine driven, one groove, single belt
12	9944	1	S	WASHER- disc spring (concave surface faces forward pulley)
12A	9655	1	S	BOLT-hex head 5/16"-24 x 3/4" (attaches forward pulley), Grade 5
13	9561	2	S	SET SCREW- socket head, 1/4"-20 x 1/4",(secures reverse engine pulley)
14	20555	1		BELT GUIDE- forward drive belt
15A	9573	1	S	BOLT-hex head, 1/4"-20 x 3/4", self-tapping
16	9910	2		LOCKWASHER-1/4"
17	9900	1		WASHER-plain (flat), 1/4", S.A.E
18	20565	1		V-BELT-forward (See V-Belt Set below)
19	20765	1		FORWARD PULLEY-engine driven, one groove, single belt
20	9301	1	S	KEY -3/16" square x 1", forward pulley to forward PTO shaft
21	9361	1	S	KEY- Woodruff (size #5),reverse pulley to reverse PTO shaft
23	20655	1		COVER -shields belts and pulleys
24	9848	2		NUT-5/16"-18, locking, whiz-style
26	9089	1		SPACER (on forward PTO shaft between engine and forward pulley)
26A	1138-2	A/R	S	SHIM (on forward PTO shaft between engine and spacer)
	4922	1		V-BELT SET- (Includes #20565 forward and #50134 reverse belts)
27	20648	1		MOUNTING BRACKET- reverse idler pulley

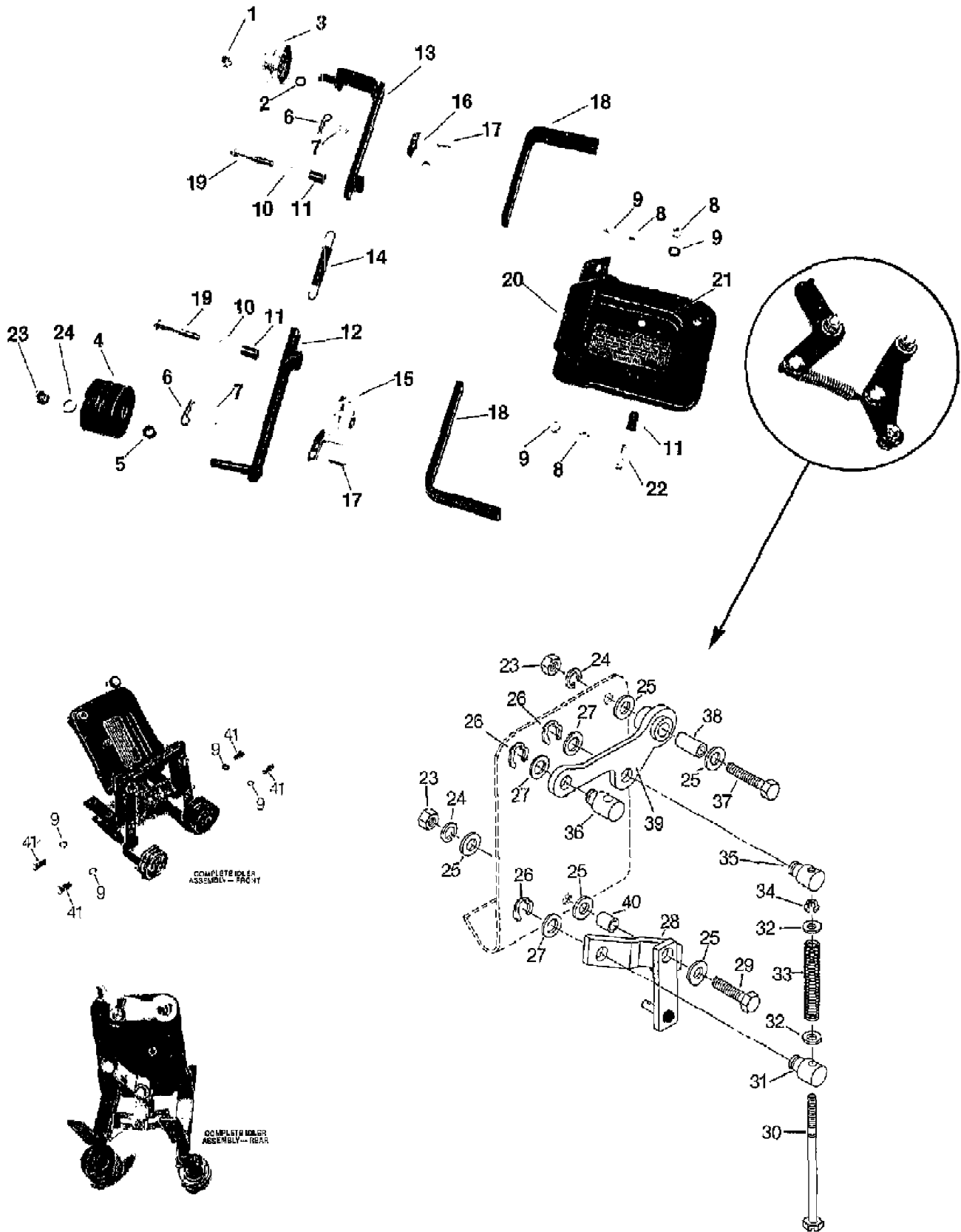
5151 Pony V

Page 13 of 24

Engine & Support Brackets, Pulleys, Belts, Belt Cover

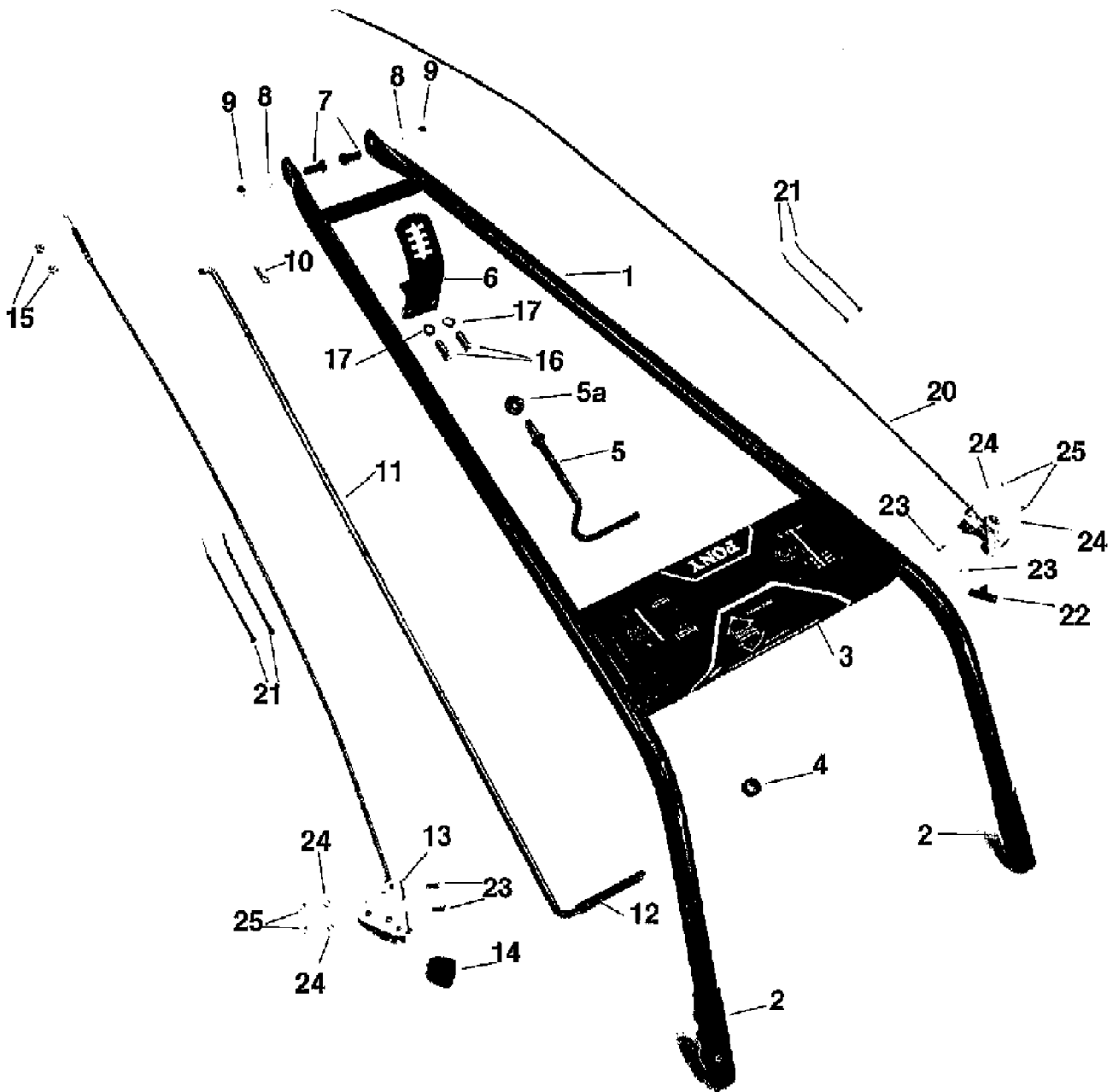
Ref #	Part Number	Qty	S/P/F	Description
28	EB94067	2		STUD-engine, reverse idler pulley mounting bracket (Briggs & Stratton part)
29	9811	2		LOCKNUT-1/4"-20
30	9807	1		LOCKNUT-3/8"-16
31	9017	1		PULLEY-Reverse Idler (internal bushing type)

5151 Pony V
Forward/Reverse Idler Assembly



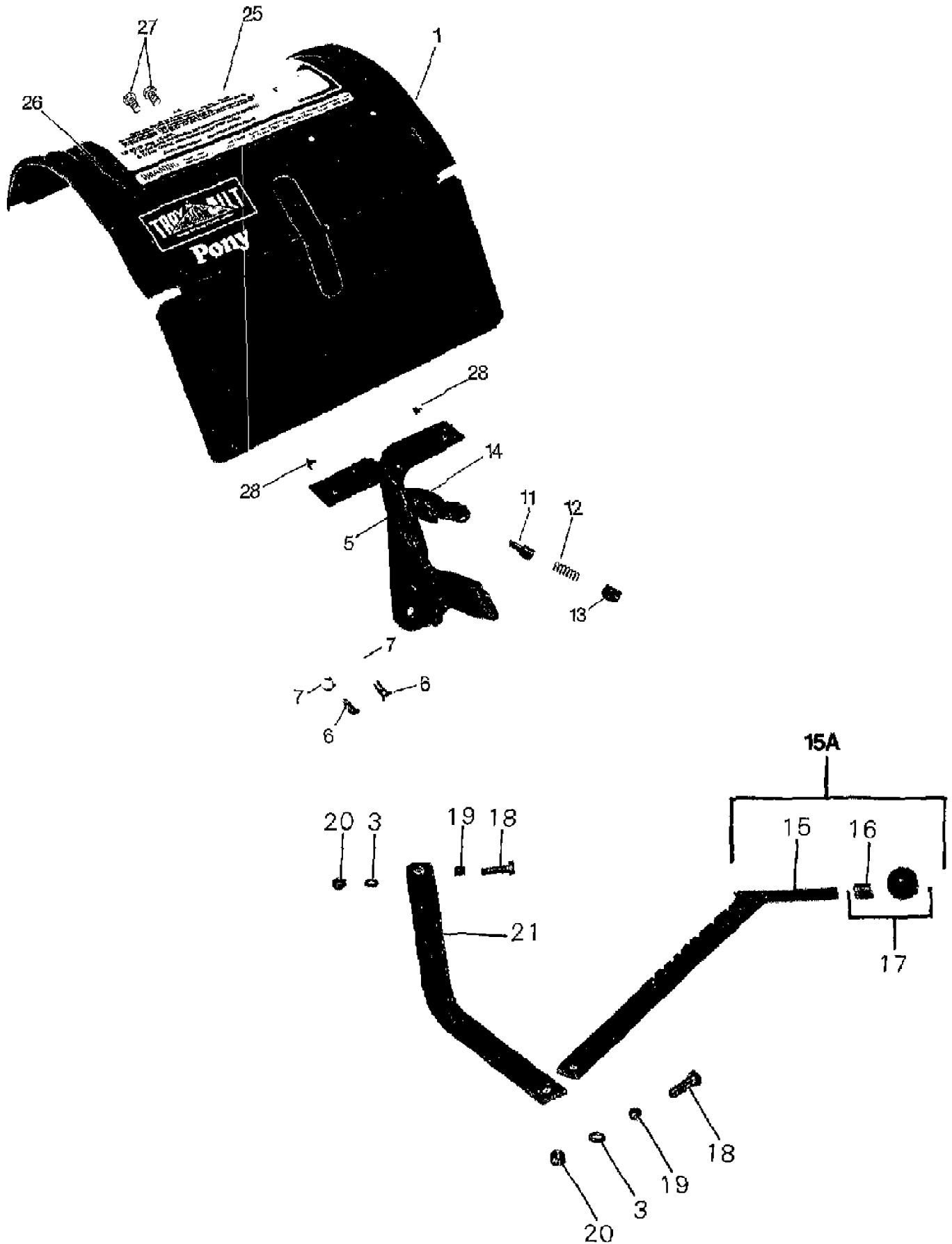
Ref #	Part Number	Qty	S/P/F	Description
1	9837	1	S	LOCKNUT-hex, 3/8"-16
2	20513	1		BUSHING-reverse idler pulley
3	9460	1		PULLEY- Idler, reverse tiller direction
4	9090	1	S	PULLEY-idler, forward tiller direction
5	9091	1		SPACER
6	9338	2	S	HITCH PIN
7	9900	2		WASHER -plain, 1/4"
8	9801	3		NUT-hex, 5/16"-18
9	9912	7		LOCKWASHER-5/16"
10	20545	2	S	WASHER-plain, 5/16"
11	9479	3	S	PIVOT BUSHING
12	20657	1		IDLER ARM-left, forward tiller direction
13	20656	1		IDLER ARM-right, reverse tiller direction
14	1492	1	S	SPRING
15	20517-01	1		FORWARD LINK
16	20517-02	1		REVERSE LINK
17	9340	2		PIN
18	20751	2		MOUNTING BAR
19	9741	2	S	BOLT- idler arm, 5/16-18 x 2"(Grade 5)
20	20622	1		SHIFTING BASE (incl. #50112 Warning Decal)
21	50112	1		DECAL-safety (warning instructions on belts/pulleys)
22	9574	1		BOLT- hex head, 5/16"-18 x 1 1/4"
23	9802	3		NUT- hex, 3/8"-16
24	9913	3		LOCKWASHER-3/8"
25	20553	5	S	SPACER - bushing
26	9515	3		RETAINING RING
27	20546	3	S	WASHER-pivot
28	20680	1		BELLCRANK
29	9712	1		BOLT- hex head, 3/8"-16 x 1 1/4"
30	20552	1		ADJUSTMENT BOLT
31	20504	1		PIVOT-lower
32	20554	2		WASHER-(between lower pivot and spring, and between spring and retaining ring)
33	20544	1		SPRING
34	9514	1	S	RETAINING RING
35	20505	1		PIVOT-upper
36	20506	1		PIVOT- for forward/reverse lever
37	9558	1		BOLT-hex head, 3/8"-16 x 1 1/2"
38	9060	1		BUSHING -rod crank
39	20719	1		ROD CRANK
40	20532	1	S	BUSHING- bellcrank
41	9704	4		BOLT-hex head, 5/16"-18 x 1"

5151 Pony V
Handlebars & Mounting Bracket - & Control Levers



Ref #	Part Number	Qty	S/P/F	Description
1	20736	1		HANDLEBARS- (incl. Index No.'s 2, 3, 4, 5, 5A)
2	9117	2		GRIP-handlebars
3	20734	1		DECAL- for operator control panel
4	9211	1		GROMMET- plastic (part of operator control panel)
5	20703	1		STUD-regulates handlebar height adjustment
5A	9955	1	S	WASHER- keyed, used with stud above
6	20753	1		BRACKET- handlebar height adjustment
7	9711	2		BOLT-hex head, 3/8"-16 x 1", Grade 5 (to attach handlebars to tabs on transmission top cover)
8	9904	2	S	WASHER -plain(flat), 3/8",S.A.E.(handlebar attachment)
9	9837	2	S	LOCKNUT-hex, 3/8"-16 (handlebar attachment)
10	9338	1	S	HITCH PIN-(connects Forward-Neutral-Reverse Lever to the shift mechanism)
11	20786	1		FORWARD-NEUTRAL-REVERSE LEVER -complete (incl. grip, #9198)
12	9198	1		GRIP-Forward-Neutral-Reverse Lever
13	10357	1		WHEEL DRIVE CONTROL & CABLE ASSY - complete, including Index No.'s 14, 15, 21, 23, 24,25
14	9057	1	S	KNOB -Wheel Drive Control Lever
15	9826	2		NUT-hex, 5/16"-24, wheel drive cable adjustment
16	9709	2		BOLT-hex head, 3/8"-16 x 3/4" (to attach handlebar height adjustment bracket to transmission top cover)
17	9913	2		LOCKWASHER-3/8" (to attach handlebar height adjustment bracket to transmission top cover)
20	9191	1		THROTTLE CONTROL & CABLE-complete, including Index 22 (Index No.'s 23, 24, & 25 not included)
21	9202	4	S	TIES-plastic (to secure cables to handlebars)
22	9212	1	S	KNOB- throttle control lever
23	9722	4		SCREW-round head, No. 10-32 x 1/2"
24	9909	4		LOCKWASHER-No.10
25	9809	4		NUT-hex, No. 10-32

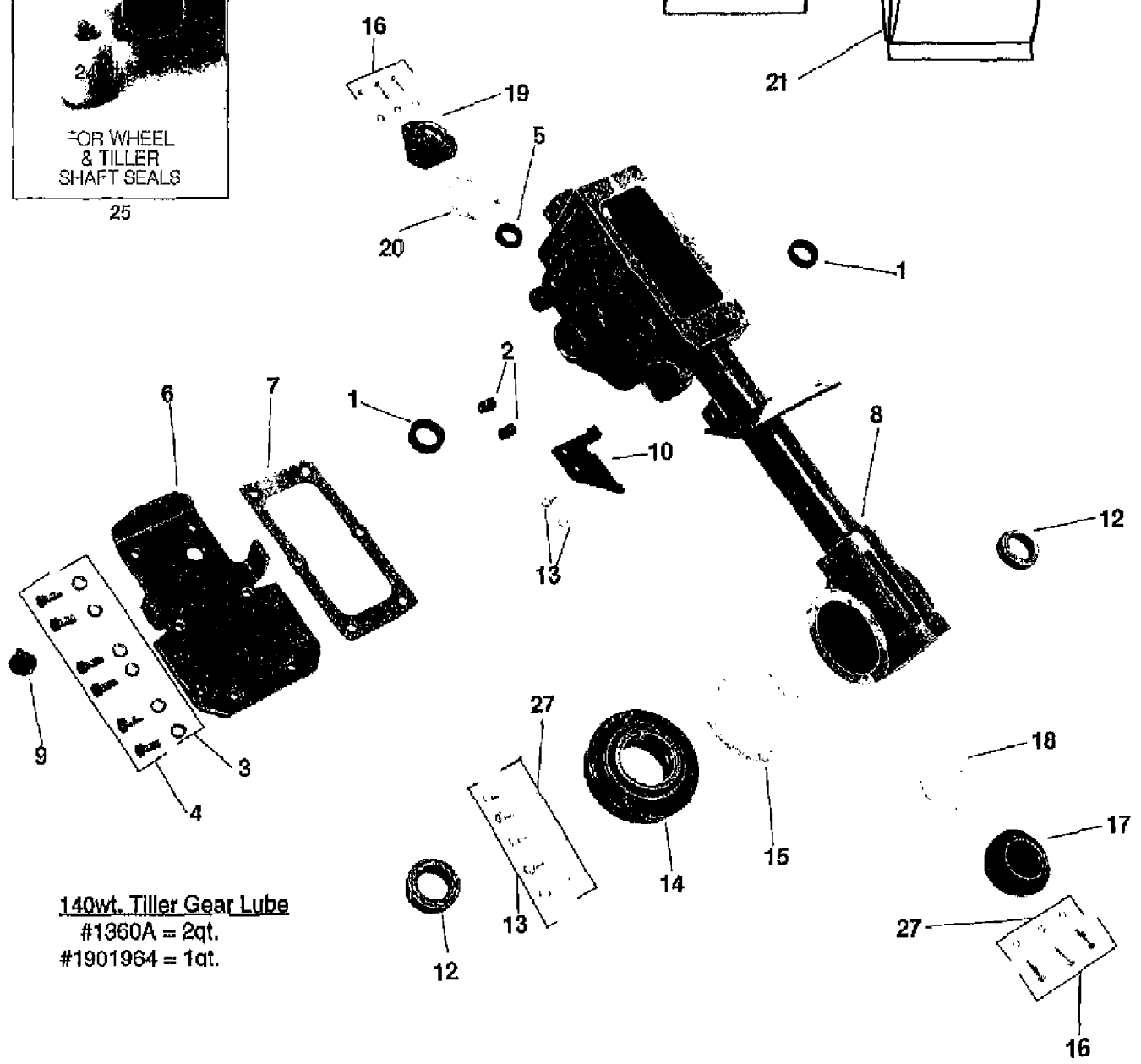
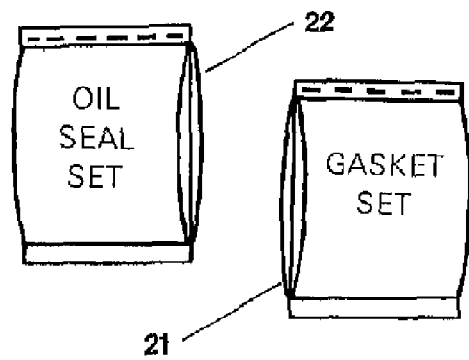
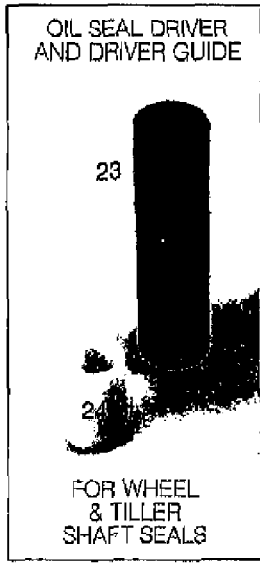
5151 Pony V
Hood, Bracket & Depth Regulator



5151 Pony V
Hood, Bracket & Depth Regulator

Page 19 of 24

Ref #	Part Number	Qty	S/P/F	Description
1	20732	1		HOOD-tine cover, with hinged flap (incl. Decals #20733 & 20401)
3	9913	2		LOCKWASHER- 3/8"
5	2255	1		BRACKET-hood & depth regulator, Incl. roll pin #9308
6	9703	2		BOLT-hex head, 5/16-18 x 3/4" (bracket to rear bearing cap)
7	9912	2		LOCKWASHER-5/16"
11	1119	1		PLUNGER-depth regulator locking
12	1120	1		SPRING-depth regulator plunger
13	9726	1	S	PLUG -pipe, 1/4"
14	9308	1	S	ROLL PIN-1/4" x 1"(spiral)
15		1		BAR- depth adjustment (not avail. sep.-see Index 15A)
15A	1117A	1	S	BAR ASSEMBLY-depth adjustment (Incl. Index No's. 15, 16, 17)
16	9120	1	S	RING- retaining, tolerance ring
17	9119	1	S	KNOB-depth regulator, Incl. retaining ring, Index 16
18	9712	2		BOLT- hex head, 3/8"-16 x 1 1/4"
19	1113-1	2	S	BUSHING-spacer, drag bar
20	9802	2		NUT-hex, 3/8-16
21	20775	1	S	DRAG BAR-depth regulator
25	20733	1		DECAL-tiller operation instructions
26	20401	1		DECAL-Troy-Bilt Pony (model name decal)
27	9553	2	S	SCREW-hex head, 5/16"-18 x 1/2" self-tapping
28	9552	2	S	SCREW-flanged hex head, 1/4"-20 x 1/2" self-tapping (attaches hood to depth regulator bracket)



140wt. Tiller Gear Lube
#1360A = 2qt.
#1901964 = 1qt.

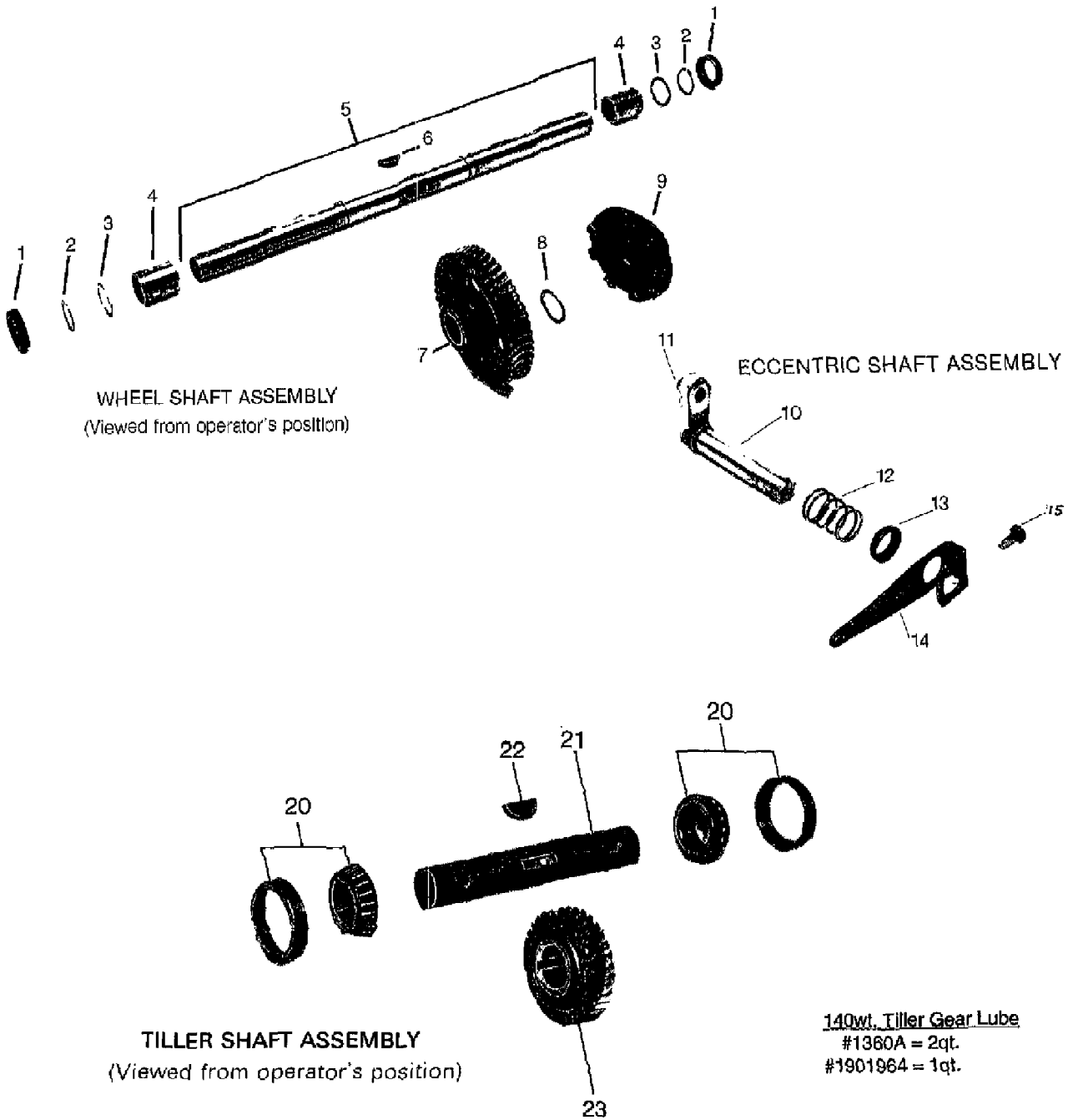
Transmission Housing, Covers, Seals, Gaskets & Plugs

Ref #	Part Number	Qty	S/P/F	Description
1	9621	2	S	OIL SEAL-double lip, wheel shaft, right and left sides
2	9726	2	S	PLUG-pipe, 1/4", oil level hole and gear oil drain hole
3	9912	6		LOCKWASHER-5/16", transmission top cover
4	9703	6		BOLT- hex head, 5/16"-18 x 3/4", transmission top cover
5	9600	1		OIL SEAL- input pinion shaft, front of transmission
6	20692	1		COVER-top of transmission
7	20694	1	S	GASKET-transmission top cover
8	20778	1		TRANSMISSION CASE, REAR HOUSING & TUBE ASSEMBLY- includes one #9429 rear bearing race
9	9467	1	S	PLUG-for gear oil fill hole on transmission cover
10	20756	1		PLATE-mounts on transmission housing (for wheel drive cable)
12	9623	2		OIL SEAL-tiller shaft, left and right sides
13	9780	7		BOLT-hex head, flanged self-locking, 1/4"-20 x 5/8"
14	10812	1		COVER-tiller housing, left side, includes one rear bearing race and five #9780 flanged, self-locking hex head bolts
15	1129-1	A/R	S	GASKET-tiller housing cover, .010" thick (fits all covers)
16	9773	6		BOLT-hex head, flanged self-locking. 1/4"-20 x 7/8"
17	1115	1		CAP-rear bearing
18	1124-2	A/R	S	GASKET-rear bearing cap, .010" thick
19	20695	1		CAP-front bearing
20	20693-2	1		GASKET-front bearing cap, .010" thick
21	10358	A/R		GASKET SET- includes: one #20694 (Index No. 7); one #20893-2 (Index No. 20); two 1129-1 (Index No. 15); one #1129-2 (same as #1129-1 only.030" thick); two #1124-2 (Index No. 18)
22	10813	A/R		OIL SEAL SET- includes two #9621 (Index No. 1) two #9623 (Index No. 12); one #9600 (Index No. 5); one #9622 (Page 17, Index No. 13)
23	4921-1	A/R		OIL SEAL DRIVER- for wheel shaft and tiller shaft oil seal installation (use with Part #4921-2)

5151 Pony V
Transmission Housing, Covers, Seals, Gaskets & Plugs

Page 22 of 24

Ref #	Part Number	Qty	S/P/F	Description
24	4921-2	A/R		OIL SEAL DRIVER GUIDE-to install wheel shaft and tiller shaft oil seals (use with Part #4921-1)
25	4921	A/R		OIL SEAL DRIVER & GUIDE SET- includes one #4921-1 driver and one #4921-2 Guide
27		1		WASHER-nylon, not reusable (if bolts with these washers are removed, discard washers, then apply non-hardening gasket sealant to bolt threads and replace bolts securely); see kit below
	10148	A/R		NYLON WASHER KIT - incl. eight nylon washers (Index No. 27)



5151 Pony V

Page 24 of 24

Wheel Shaft, Eccentric Shaft & Tiller Shaft Assemblies

Ref #	Part Number	Qty	S/P/F	Description
1	9621	2	S	OIL SEAL- left and right sides
2	9511	2	S	RING -retaining, heavy-duty, external
3	1166-1	A/R	S	SHIM-1 1/64" I.D., .062" thick
	1166-2	A/R	S	SHIM - as above, only .030" thick
	1166-3	A/R	S	SHIM - as above, only .015" thick
	1166-4	A/R	S	SHIM - as above, only .010" thick
4	1086	2	S	BUSHING-
5	20711	1	S	WHEEL SHAFT- Incl. #9373 key (1/4" x 1 5/16")
6	9373	1	S	KEY -Hi-Pro (1/4" x 1 5/16"), clutch to wheel shaft
7	20535	1		GEAR-wheel drive (worm gear), cast iron
8	9935	1	S	SHIM-between key and gear (1.016" I.D. x 1.468" O.D. x .062" thick)
9	20712	1	S	CLUTCH- wheel drive, cast Iron
10	20699	1		ECCENTRIC SHAFT-wheel clutch shifting
11	1442	1	S	PIN- eccentric shaft
12	9055	1	S	SPRING-
13	9622	1	S	OIL SEAL- eccentric shaft
14	20757	t		LEVER- eccentric shaft
15	9743	1		BOLT-hex head, 1/4"-20 x 1/2"
20	10805	2		BEARING - tapered roller (with race), for tiller shaft
21	20798	1		TILLER SHAFT- Incl. #1104 key
22	1104	1	S	KEY- woodruff, 1/4" x 1 1/4", for tiller shaft/worm gear
23	20776	1		WORM GEAR - bronze, tiller drive