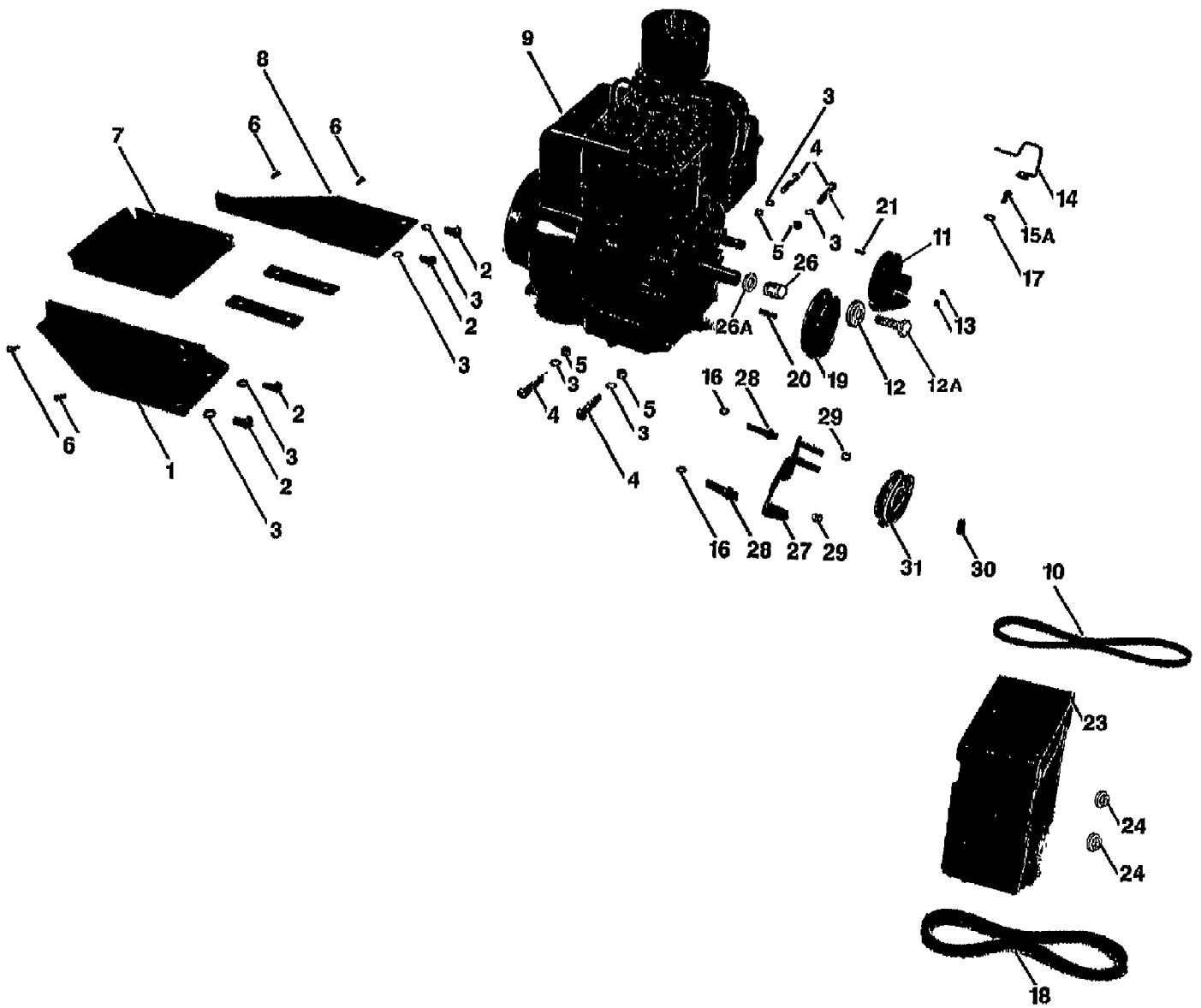


5040 PONY V 5HP STD (S/N S186072-S0204132)
ENGINE, PULLEYS & BELTS

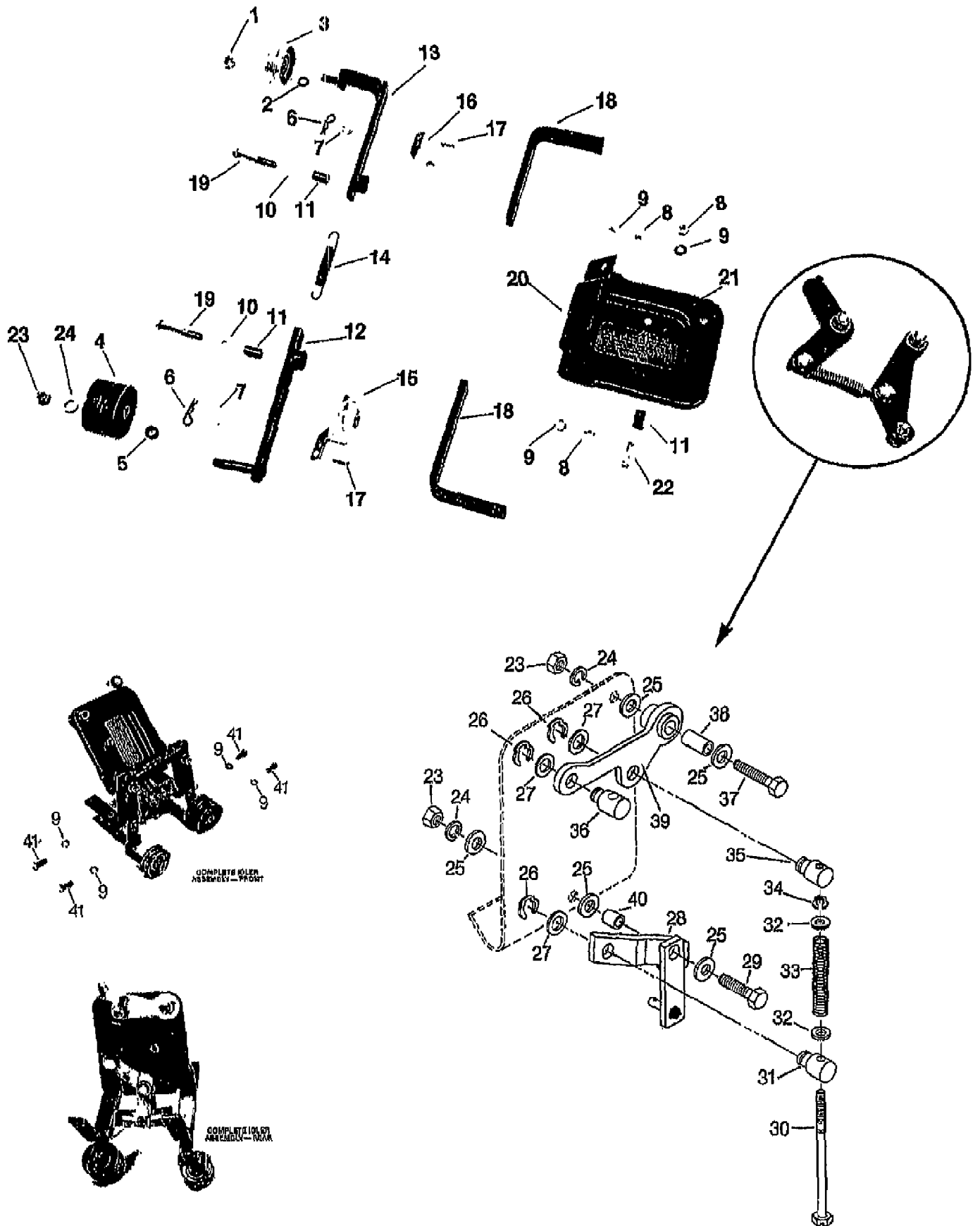


5040 PONY V 5HP STD (S/N S186072-S0204132)
ENGINE, PULLEYS & BELTS

Page 2 of 16

Ref #	Part Number	Qty	S/P/F	Description
1	20754	0		BRKT-ENG LT P4
2	9703	0		SCR-HHC 5/16-18X.75 GR 5 ZP
3	9912	0		WASHER-LK .312 ZP
4	9758	0		SCR-HH 5/16-18X1.5 G5 ZP
5	9801	0		NUT-HEX 5/16-18 ZP
6	9768	0		SCR-HH SEMS 10-32 X .5 ZP (SEMS - WITH PERMANENT WASHER)
7	20673	0	S	PAN-ENG BRKT PNT
8	20755	0	S	BRKT-ENG RT PNT
9	0	0	F	ENGINE B&S STANDARD RECOIL START.
9	0	0	F	ENGINE B&S ELECTRIC START.
10	50134	0	S	BELT-V (SEE V-BELT SET BELOW)
11	20503	0		PULLEY-ENG MACH
12	9944	0	S	WASHER-.827X.331X.098 (CONCAVE SURFACE FACES FORWARD PULLEY)
12A	9655	0	S	SCR-HH 5/16-24X.75 G5 ZP (ATTACHES FORWARD PULLEY)
13	9561	0	S	SCR-SS 1/4-20 X .25 (SECURES REVERSE ENGINE PULLEY)
14	20555	0		GUIDE-BELT FWD
15A	9573	0	S	SCR-HWH 1/4-20 X .75 STH
16	9910	0		WASHER-LK .25 ZP
17	9900	0		WASHER-FLAT 1/4 SAE
18	20565	0		BELT-V GROOVE FWD SMFRAME (SEE V-BELT SET BELOW)
19	20765	0		PULLEY-ENGINE MACH
20	9301	0	S	KEY-.188 SQX1.0
21	9361	0	S	KEY-WOODRUFF #5
23	20655	0		SHROUD-BELT PNT
24	9848	0		NUT-HFLK 5/16-18 ZP
26	9089	0		SPACER-ENGINE PULLEY (ON FORWARD PTO SHAFT BETWEEN ENGINE & FORWARD PULLEY)
26A	1138-2	0	S	SHIM-1.0X.7656X.031 (ON FORWARD PTO SHAFT BETWEEN ENGINE & SPACER)
	4922	0		KIT-BELT PONY III (INCL. #20565 & #50134)
27	20648	0		BRKT-IDLER WELD PNT
28	EB94067	0		STUD-5HP (B&S PART)
29	9811	0		NUT-LK 1/4-20
30	9807	0		NUT-H/LK 3/8-16
31	9017	0		IDLER-"V" GROOVE (INTERNAL BUSHING TYPE)

5040 PONY V 5HP STD (S/N S186072-S0204132)
FORWARD/REVERSE IDLER ASSEMBLY

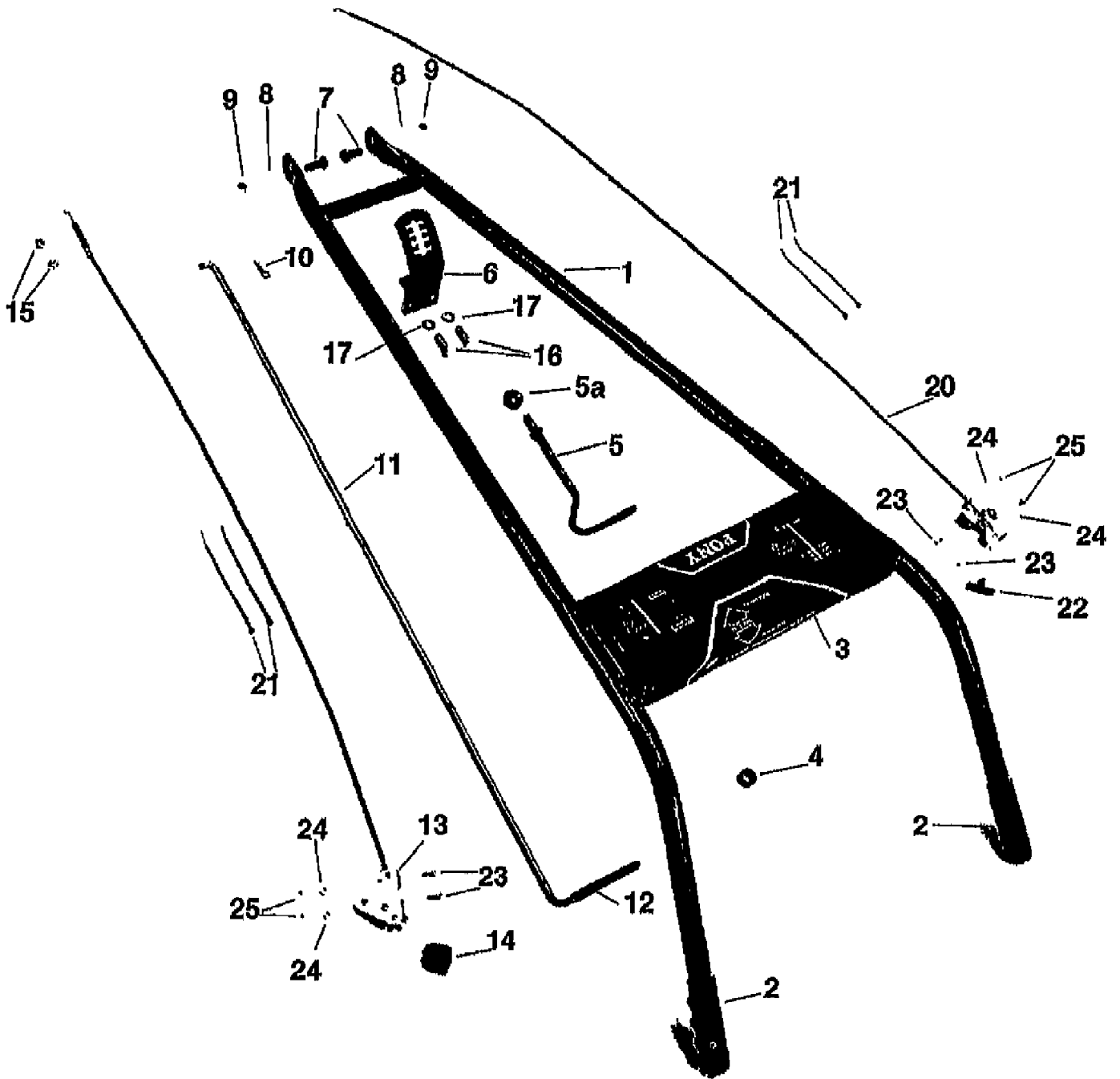


5040 PONY V 5HP STD (S/N S186072-S0204132)
FORWARD/REVERSE IDLER ASSEMBLY

Page 4 of 16

Ref #	Part Number	Qty	S/P/F	Description
1	9837	0	S	NUT-LOCK 3/8-16 NYLON ZP
2	20513	0		BUSHING-.54X.38X.08
3	9460	0		IDLER-REV
4	9090	0	S	PULLEY-IDLER FORWARD
5	9091	0		SPACER-IDLER FWD
6	9338	0	S	PIN-CLIP .08
7	9900	0		WASHER-FLAT 1/4 SAE
8	9801	0		NUT-HEX 5/16-18 ZP
9	9912	0		WASHER-LK .312 ZP
10	20545	0	S	WASHER-#.75X.32X.09 ZP
11	9479	0	S	BUSHING-.438X.323X.712
12	20657	0		ARM-IDLER FWD PNT
13	20656	0		ASSM-IDLER REV @ DEPL
14	1492	0	S	SPRING-.436 X 3.25
15	20517-01	0		LINK-FWD
16	20517-02	0		LINK-REV
17	9340	0		PIN-CLEVIS .375X.719 ZP
18	20751	0		MOUNT BAR-PNT (20691)
19	9741	0	S	BOLT-HH 5/16-18 X 2 G5 ZP
20	20622	0		BASE-SHIFTING W/DECAL (INCL. #50112 DECAL)
21	50112	0		DECAL-BELT WARNING INSTR. ON BELTS/PULLEYS
22	9574	0		SCR-HH 5/16-18X1.25 G5ZP
23	9802	0		NUT-HEX 3/8-16 ZP
24	9913	0		WASHER-LK .375 @ DEPL
25	20553	0	S	SPACER-.88X.385X.09 ZP
26	9515	0		RING-KLIP .500 ZINC
27	20546	0	S	WASHER-#.88X.51X.063 ZP
28	20680	0		BELLCRANK-WELDMENT
29	9712	0		SCR-HH 3/8-16X1.25
30	20552	0		SCR-HH 1/4-20X4.5 G5
31	20504	0		PIVOT-SLIDE
32	20554	0	F	WASHER # ZP
33	20544	0		SPRING-.52 X 3
34	9514	0	S	RING-KLIP 5304-25
35	20505	0		PIVOT-THREADED
36	20506	0		PIVOT-ROD (FOR FORWARD/REVERSE LEVER)
37	9558	0		BOLT-HH 3/8-16X1.5 FTH ZP
38	9060	0		BUSHING-.5X.38X.665
39	20719	0		RODCRANK
40	20532	0	S	BUSHING-.5X.38X.4
41	9704	0		SCR-HH 5/16-18X1.0 G5 ZP

5040 PONY V 5HP STD (S/N S186072-S0204132)
HANDLE BARS & CONTROL LEVERS

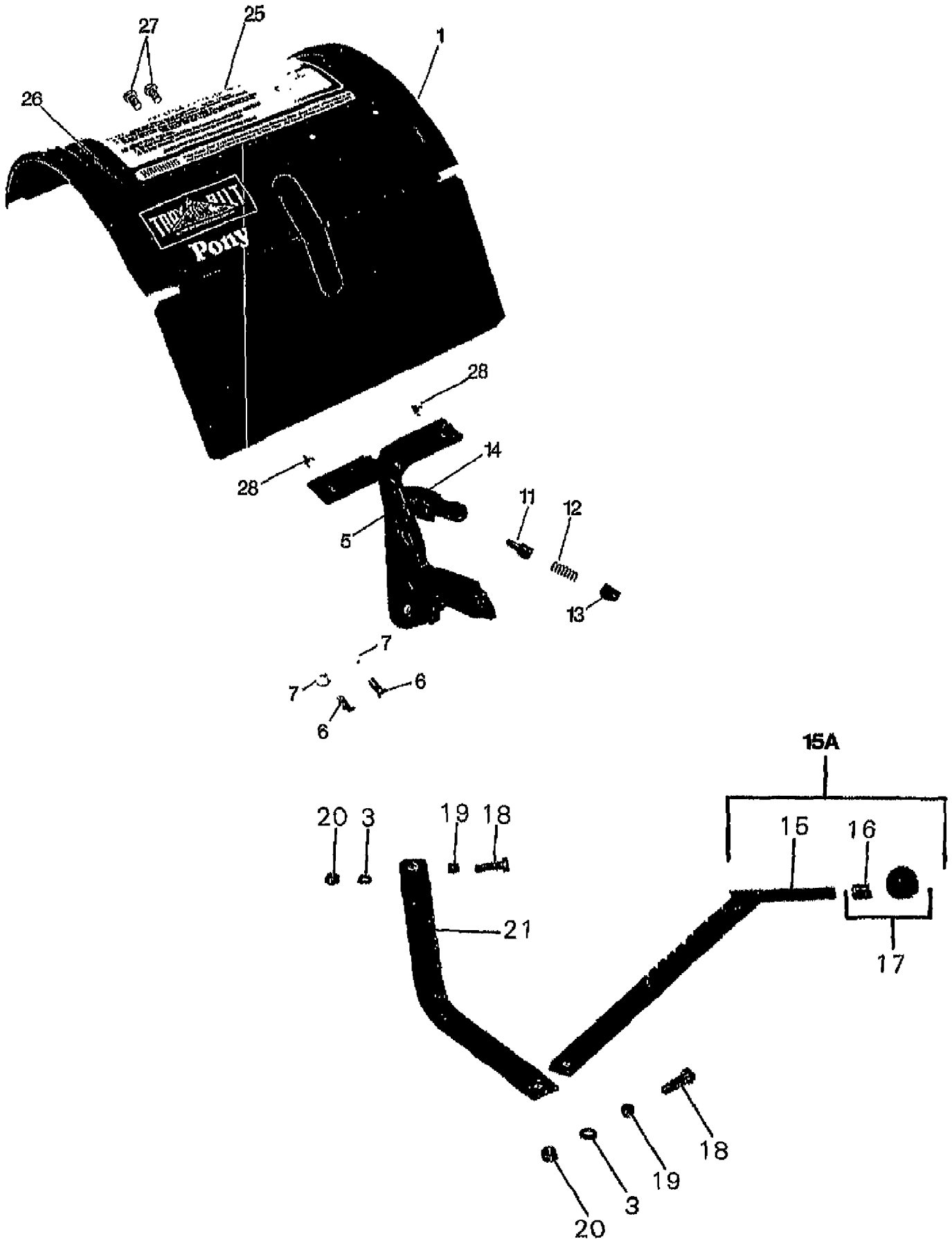


5040 PONY V 5HP STD (S/N S186072-S0204132)
HANDLE BARS & CONTROL LEVERS

Page 6 of 16

Ref #	Part Number	Qty	S/P/F	Description
1	20736	0		ASSM-HANDLEBAR P4 (INCL. 2-5A)
2	9117	0		GRIP-HANDLEBAR
3	20734	0		DECAL-CONTROL PANEL
4	9211	0	F	GROMMET-PLASTIC
5	20703	0		ASSM-STUD H/B
5A	9955	0	S	WASHER-1.0X.38X.375
6	20753	0		PLATE-HANDLEBAR ADJUST
7	9711	0	F	SCR-HH 3/8-16X1.0 G5 ZP
8	9904	0	S	WASHER-FLAT 3/8 SAE (HANDLEBAR ATTACHMENT)
9	9837	0	S	NUT-LOCK 3/8-16 NYLON ZP (HANDLEBAR ATTACHMENT)
10	9338	0	S/F	PIN-CLIP .08
11	20786	0		ASSM-DR CONTROL ROD (INCL. GRIP, #9198)
11	20702	0		ROD-CONTROL
12	9198	0		GRIP-CONTROL ROD
13	10357	0		KIT-WHL DRIVE CABLE - COMPLETE (INCL. 14,15, 21,23,24,25)
14	9057	0	S	KNOB-WHEEL DRIVE CABLE
15	9826	0		NUT-HEX 5/16-24
16	9709	0	F	SCR-HH 3/8-16X.75 G5 ZP
17	9913	0	F	WASHER-LK .375 @ DEPL
20	9191	0		CABLE-THROTTLE - COMPLETE (INCL. 22) (DOES NOT INCL. 23-25)
21	9202	0	S	TIE-RED (PLASTIC)(TO SECURE CABLES TO HANDLEBARS)
22	9212	0	S	KNOB-THROTTLE CABLE
23	9722	0		SCR-RH M10-32X.5 MACH
24	9909	0		WASHER-LK M10
25	9809	0		NUT-HH M10-32X.125

5040 PONY V 5HP STD (S/N S186072-S0204132)
HOOD & DEPTH REGULATOR

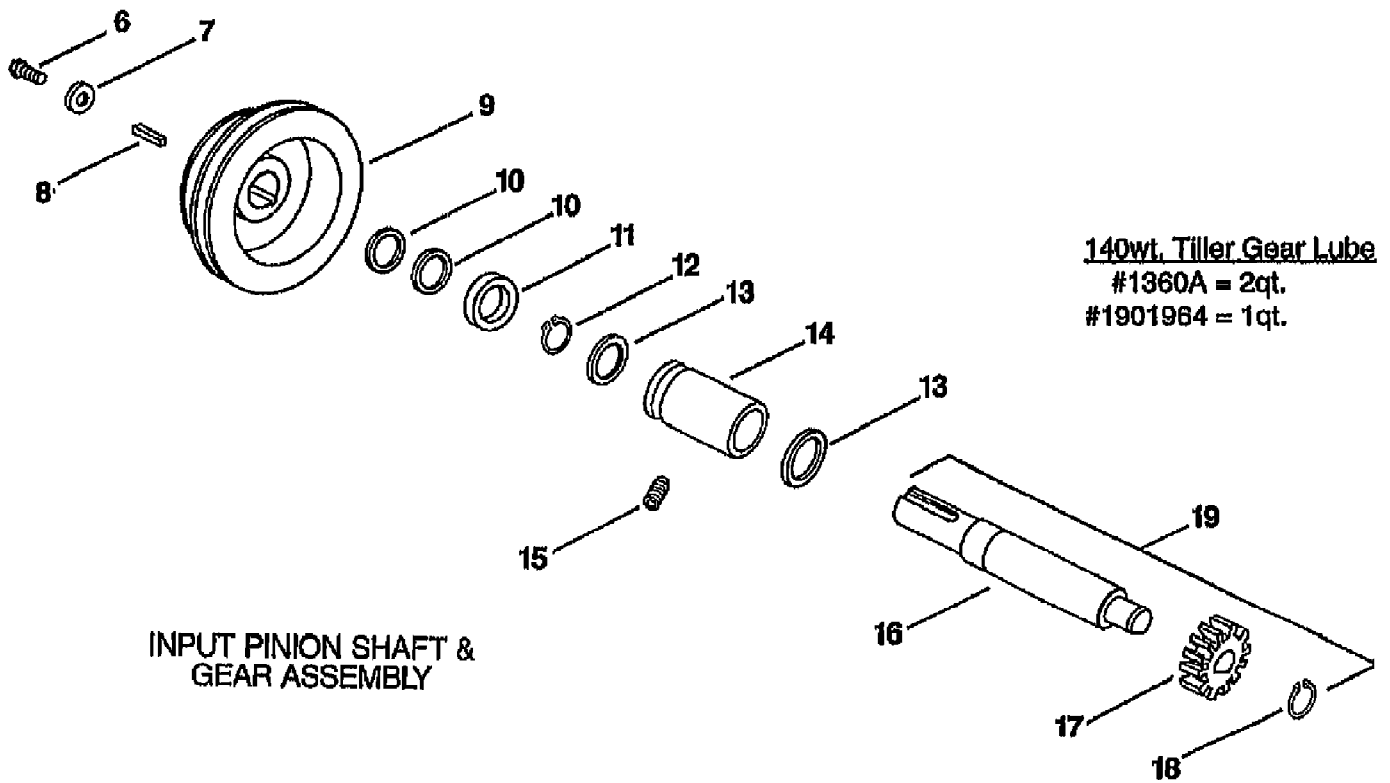
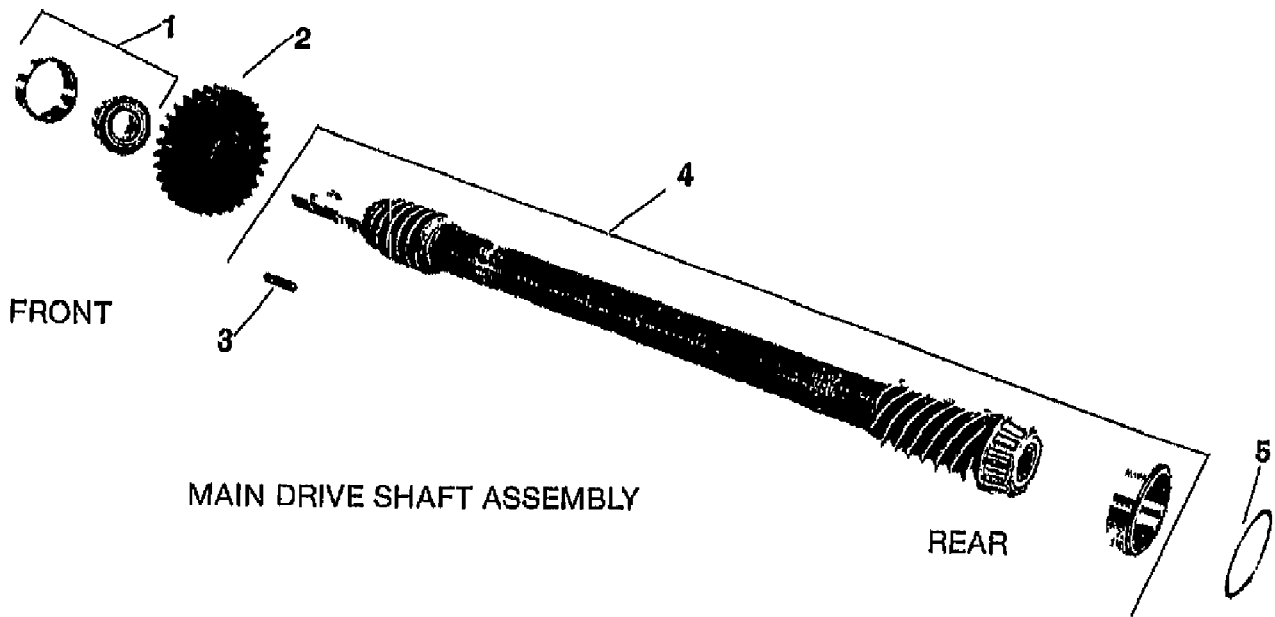


5040 PONY V 5HP STD (S/N S186072-S0204132)
HOOD & DEPTH REGULATOR

Page 8 of 16

Ref #	Part Number	Qty	S/P/F	Description
1	20732	0		HOOD W/DECALS #20733 & 20401
3	9913	0		WASHER-LK .375 @ DEPL
5	2255	0		KIT-REAR HOOD BRKT (INCL. ROLL PIN #9308)
6	9703	0		SCR-HHC 5/16-18X.75 GR 5 ZP (BRACKET TO REAR BEARING CAP)
7	9912	0		WASHER-LK .312 ZP
11	1119	0		PLUNGER
12	1120	0		SPRING .406 X 1.25
13	9726	0	S	PLUG-PIPE 1/4 NPT
14	9308	0	S	PIN-ROLL .25 X 1
15	0	0		BAR (NOT AVAILABLE SEP.)
15A	1117A	0	S	DEPTH REGULATOR W/KNOB (INCL. 15-17)
16	9120	0	S	RING-TOLERANCE .5325 ID
17	9119	0	S	KNOB-CONTROL
18	9712	0		SCR-HH 3/8-16X1.25
19	1113-1	0	S	BUSHING-.5X.375X.3
20	9802	0		NUT-HEX 3/8-16 ZP
21	20775	0	S	DRAG BAR-BENT
25	20733	0		DECAL-OPER INST
26	20401	0		DECAL-HOOD LOGO PONY OPC
27	9553	0	S	SCR-HWH 5/16-18 X .5 STH
28	9552	0	S	SCR-HWH 1/4-20 X .5 STH (ATTACHES HOOD TO DEPTH REGULATOR BRACKET)

5040 PONY V 5HP STD (S/N S186072-S0204132)
MAIN DRIVE SHAFT & GEAR ASSEMBLIES

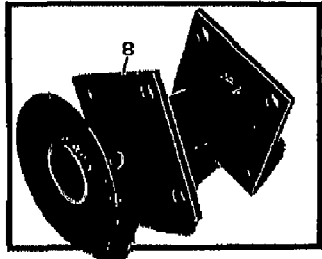
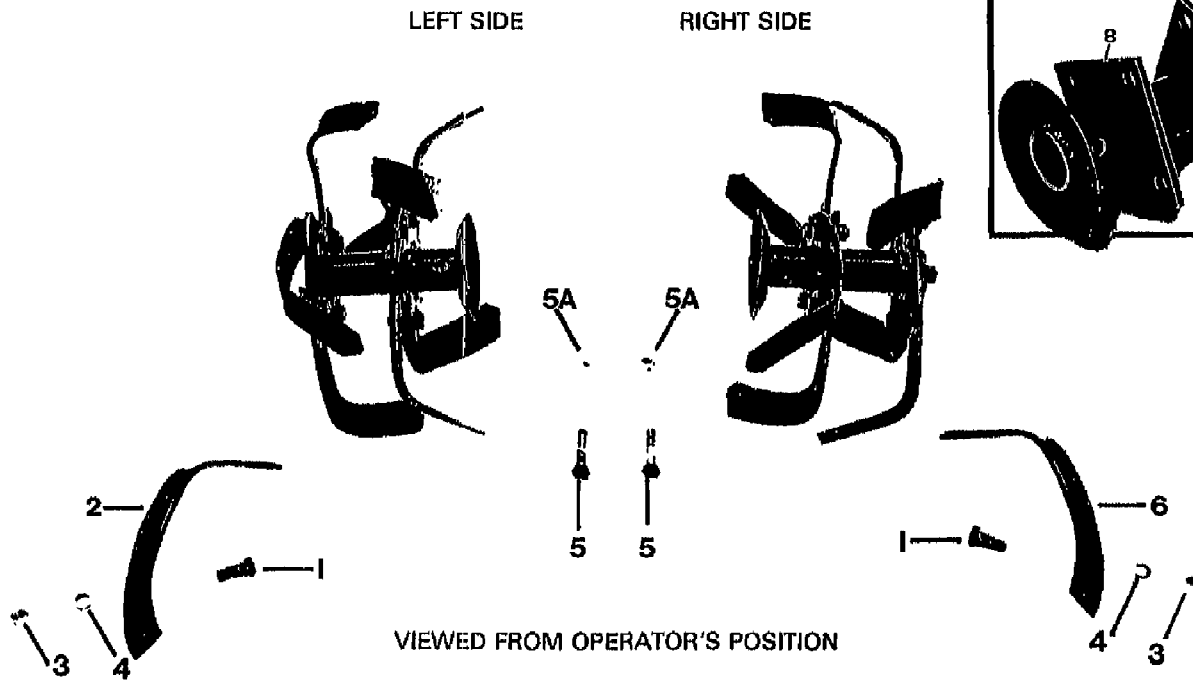


5040 PONY V 5HP STD (S/N S186072-S0204132)
MAIN DRIVE SHAFT & GEAR ASSEMBLIES

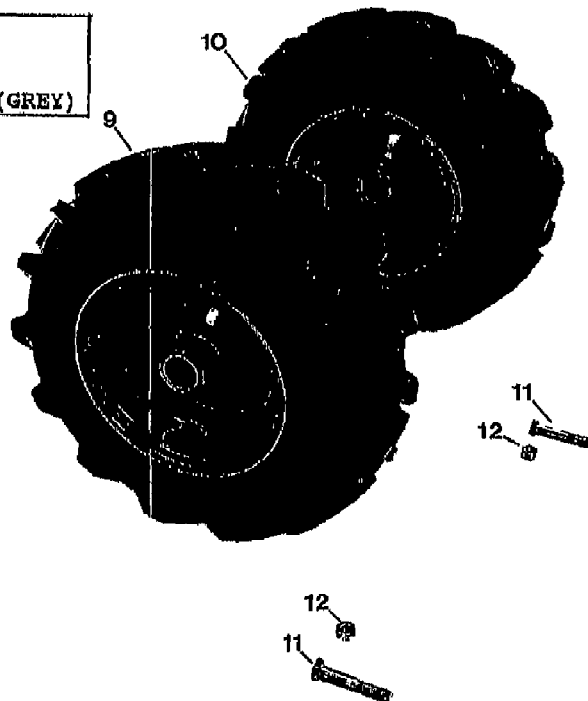
Page 10 of 16

Ref #	Part Number	Qty	S/P/F	Description
1	1714	0	S	KIT-BRG CONE&RACE-DRIVESHAFT
2	20718	0	S	GEAR-SPUR 30 TEETH
3	9301	0	S	KEY-.188 SQX1.0
4	10360	0	F	KIT-DRIVESHAFT
5	1224-1	0	S/F	SHIM-1.75X1.5X.01
5	1224-2	0	S/F	SHIM-1.75X1.5X.03
5	1224-3	0	S/F	SHIM-1.75X1.5X.005
	1325C	0	S/F	SHIM SET-DRIVESHAFT-HORSE
6	9655	0	S	SCR-HH 5/16-24X.75 G5 ZP
7	9944	0	S/F	WASHER-.827X.331X.098
8	9301	0	S	KEY-.188 SQX1.0
9	20766	0	F	PULLEY-TRANS MACH
10	1440	0	S	WASHER # .875 X .65 X .06
11	9600	0		SEAL-PINION SHAFT PT/85030/00
12	9500	0	S	RING-RETAIN EXT .707 ID (SNAP RING)
13	9953	0	S	WASHER-1.022X.752X .059
14	9428	0	S	BUSHING-1.24X.75X1.8 GRVD
15	9677	0	S	SCR-SS 5/16-18X.375
16	20791	0	S	SHAFT-PINION(P-V)
17	20792	0	S	GEAR-PINION P/M
18	9093	0	S	RING-BOWED EXT .461 ID (SNAP RING)
19	20799	0	S/F	PINION W/GEAR&SNAP RING (INCL. #20791, #20792, & #9093)
	1360A	0		OIL GEAR LUBE 2 QT 140WT
	1901964	0		OIL GEAR LUBE 1 QT 140WT

5040 PONY V 5HP STD (S/N S186072-S0204132)
TINES & WHEELS



WHEEL & TIRE ASSY
INDIVIDUAL SERVICE PARTS
20676 - TIRE ONLY
20917 - WHEEL RIM ONLY (GREY)

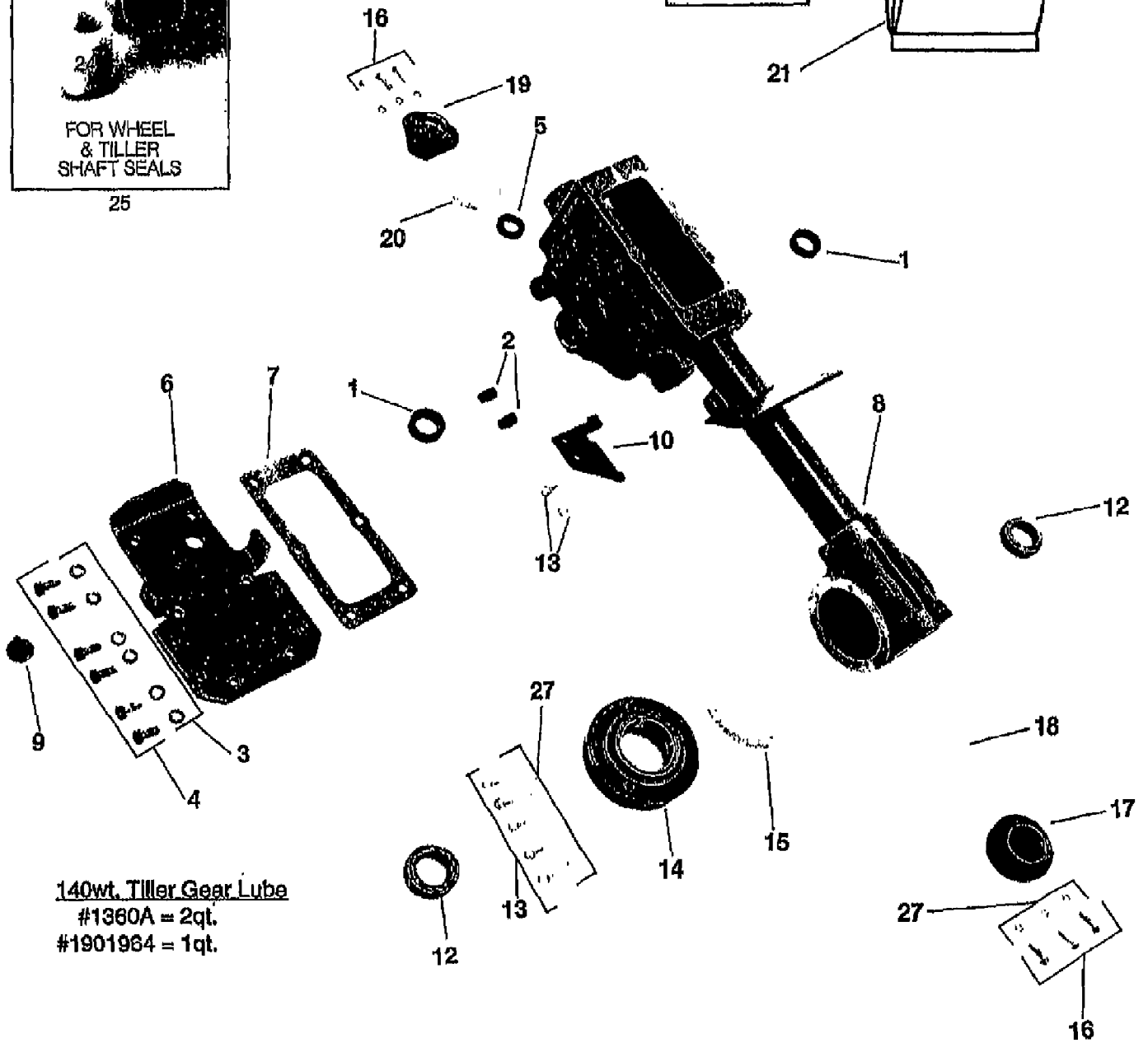
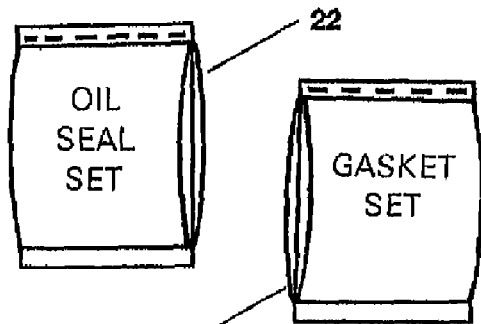
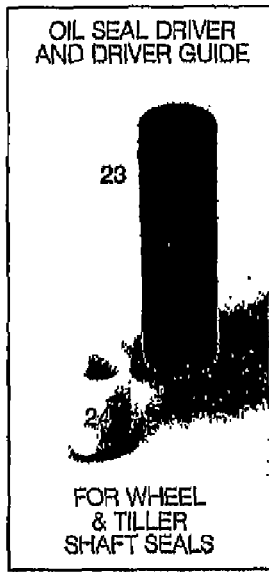


5040 PONY V 5HP STD (S/N S186072-S0204132)
TINES & WHEELS

Page 12 of 16

Ref #	Part Number	Qty	S/P/F	Description
1	9711	0		SCR-HH 3/8-16X1.0 G5 ZP
2	1270-2A	0	S/F	TINE-BOLO RT W/HDW
3	9802	0	F	NUT-HEX 3/8-16 ZP
4	9913	0	F	WASHER-LK .375 @ DEPL
5	9761	0	F	SCR-HH 3/8-16X2.00 G8 (HOLDER TO TILLER SHAFT)
5A	9807	0	F	NUT-H/LK 3/8-16
6	1270-1A	0	S/F	TINE-BOLO LT W/HDW
8	20770	0	F	WELD-TINE HOLDER PONY
	1348	0	F	TINES-BOLO HORSE/PONY/ECONO
9	20678-01	0	F	ASSM-TIRE LT 4.10 X 6" (10-20 LBS. AIR REQ'D)
10	20678-02	0	F	ASSM-TIRE RT 4.10 X 6" (10-20 LBS. AIR REQ'D)
	20676	0	F	TIRE-4.10 X 6" (TIRE ONLY)
	20917	0	F	RIM-WHEEL 6" GRAY (WHEEL RIM ONLY)
11	9741	0	S/F	BOLT-HH 5/16-18 X 2 G5 ZP
12	9808	0	F	NUT-H/LK 5/16-18

5040 PONY V 5HP STD (S/N S186072-S0204132)
TRANSMISSION HOUSING & SEALS/GASKET



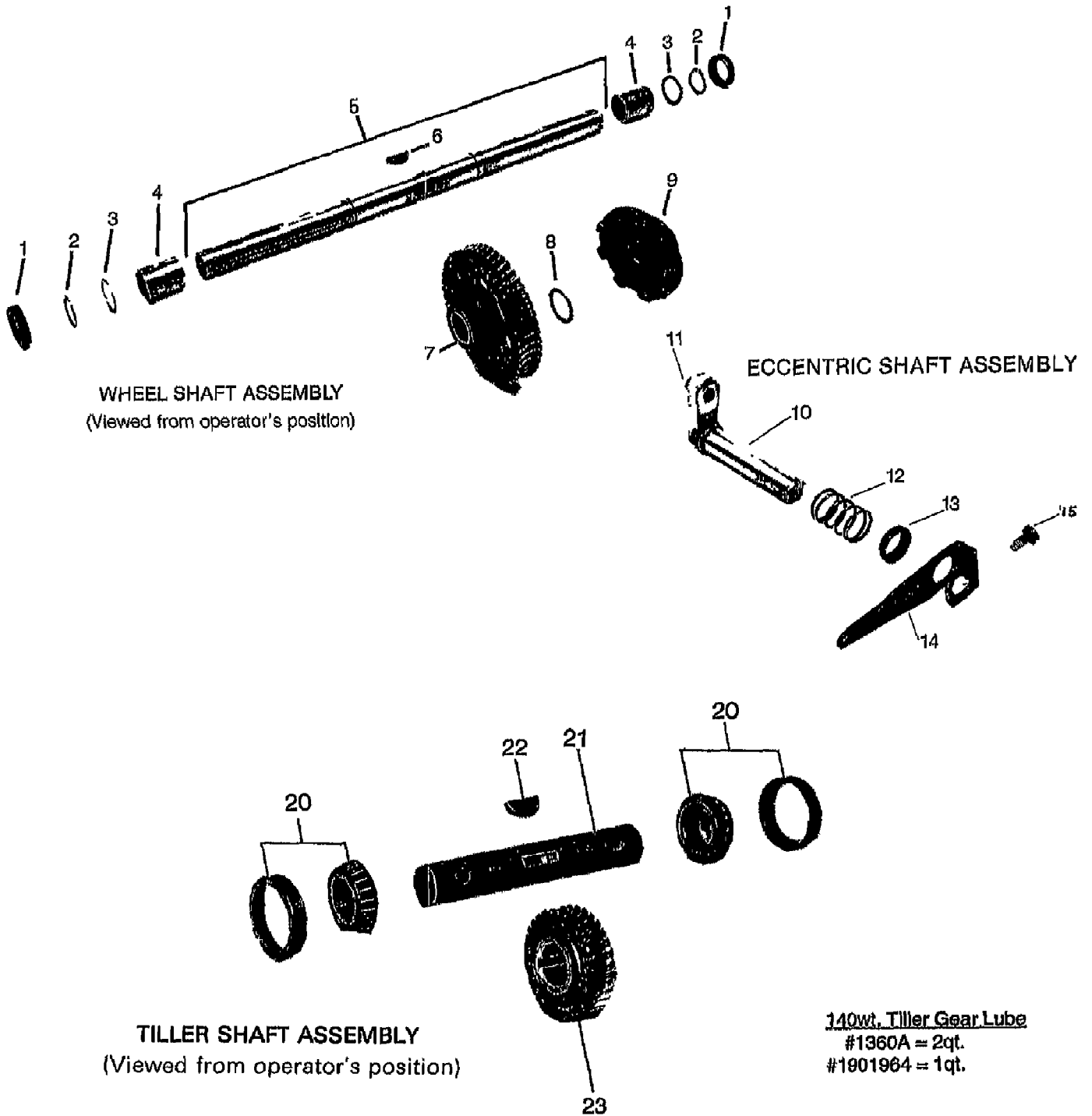
140wt. Tiller Gear Lube
#1360A = 2qt.
#1901964 = 1qt.

5040 PONY V 5HP STD (S/N S186072-S0204132)
TRANSMISSION HOUSING & SEALS/GASKET

Page 14 of 16

Ref #	Part Number	Qty	S/P/F	Description
1	9621	0	S	SEAL-OIL WHEELSHAFT
2	9726	0	S	PLUG-PIPE 1/4 NPT
3	9912	0		WASHER-LK .312 ZP
4	9703	0		SCR-HHC 5/16-18X.75 GR 5 ZP
5	9600	0		SEAL-PINION SHAFT PT/85030/00
6	20692	0		COVER-TRANS
7	20694	0	S	GASKET-TRANS COVER
8	20778	0		HSG-TRANS P5 A UNIT (INCL. ONE #9429 REAR BEARING RACE)
9	9467	0	S	PLUG-OIL FILL 3/4-10
10	20756	0		PLATE-CABLE MOUNT PNT (FOR WHEEL DRIVE CABLE)
12	9623	0		SEAL-TILLER SHAFT
13	9780	0		SCR-HH 1/4-20X.625
14	10812	0	F	COVER-RTH W/SCRS&RACE
15	1129-1	0	S/F	GASKET-TILLER COVER
16	9773	0		SCR-HFLK 1/4-20X.875
17	1115	0		CAP-REAR #1115
18	1124-2	0	S/F	GASKET-BRG COVER
19	20695	0		COVER-FRONT BEARING
20	20693-2	0		GASKET-FRONT COVER-.010
21	10358	0	F	GASKET SET-P4
22	10813	0	F	OIL SEAL SET-PONY V
23	4921-1	0	F	DRIVER-PLASTIC (USE WITH PART #4921-2)
24	4921-2	0	F	SEAL-DRIVER PILOT (USE WITH PART #4921-1)
25	4921	0		KIT-DRIVER (INCL. 23, 24)
27	0	0	F	WASHER - NYLON, NOT REUSABLE
	10148	0		OBS-KIT NYLON WASHER (INCL. EIGHT NYLON WASHERS - INDEX #27)
	1360A	0		OIL GEAR LUBE 2 QT 140WT
	1901964	0		OIL GEAR LUBE 1 QT 140WT

5040 PONY V 5HP STD (S/N S186072-S0204132)
WHEEL & TILLER SHAFT ASSEMBLIES



140wt. Tiller Gear Lube
#1360A = 2qt.
#1901964 = 1qt.

5040 PONY V 5HP STD (S/N S186072-S0204132)
WHEEL & TILLER SHAFT ASSEMBLIES

Page 16 of 16

Ref #	Part Number	Qty	S/P/F	Description
1	9621	0	S	SEAL-OIL WHEELSHAFT
2	9511	0	S	RING-HEAVY EXT .906 ID
3	1166-1	0	S	SHIM-1.375X1.015X.062
3	1166-2	0	S	SHIM-1.375X1.015X.03
3	1166-3	0	S	SHIM-1.375X1.015X.015
3	1166-4	0	S	SHIM-1.375X1.015X.01
4	1086	0	S	BUSHING-1.25X1.005X1.5
5	20711	0	S	ASSM-WHEEL SHAFT W/KEY #9373
6	9373	0	S	KEY-HI PRO .25X1.312
7	20535	0		GEAR-WORM 46 TEETH MACH
8	9935	0	S	WASHER-1.468X1.016X.062
9	20712	0	S	CLUTCH-MACH
10	20699	0		WELD-ECCENTRIC
11	1442	0	S	PIN-.375 X .72
12	9055	0	S	SPRING-.850 X .875 LONG
13	9622	0	S	SEAL-OIL ECCENTRIC
14	20757	0		LEVER-CABLE ADJ PNT
15	9743	0		SCR-HH 1/4-20X.5 GR5 YEL
20	10805	0		BEARING CUP & CONE
21	20798	0		SHAFT W/KEY (TILLER) #1104
22	1104	0	S	KEY-WOODRUFF .25X1.12
23	20776	0		GEAR-TILLER MACH
	1360A	0		OIL (1901964)
	1901964	0		OIL-GEAR 1 QT 140WT