

21AE662M066 250cc Elec Roto-Tiller (2008)
Drive System

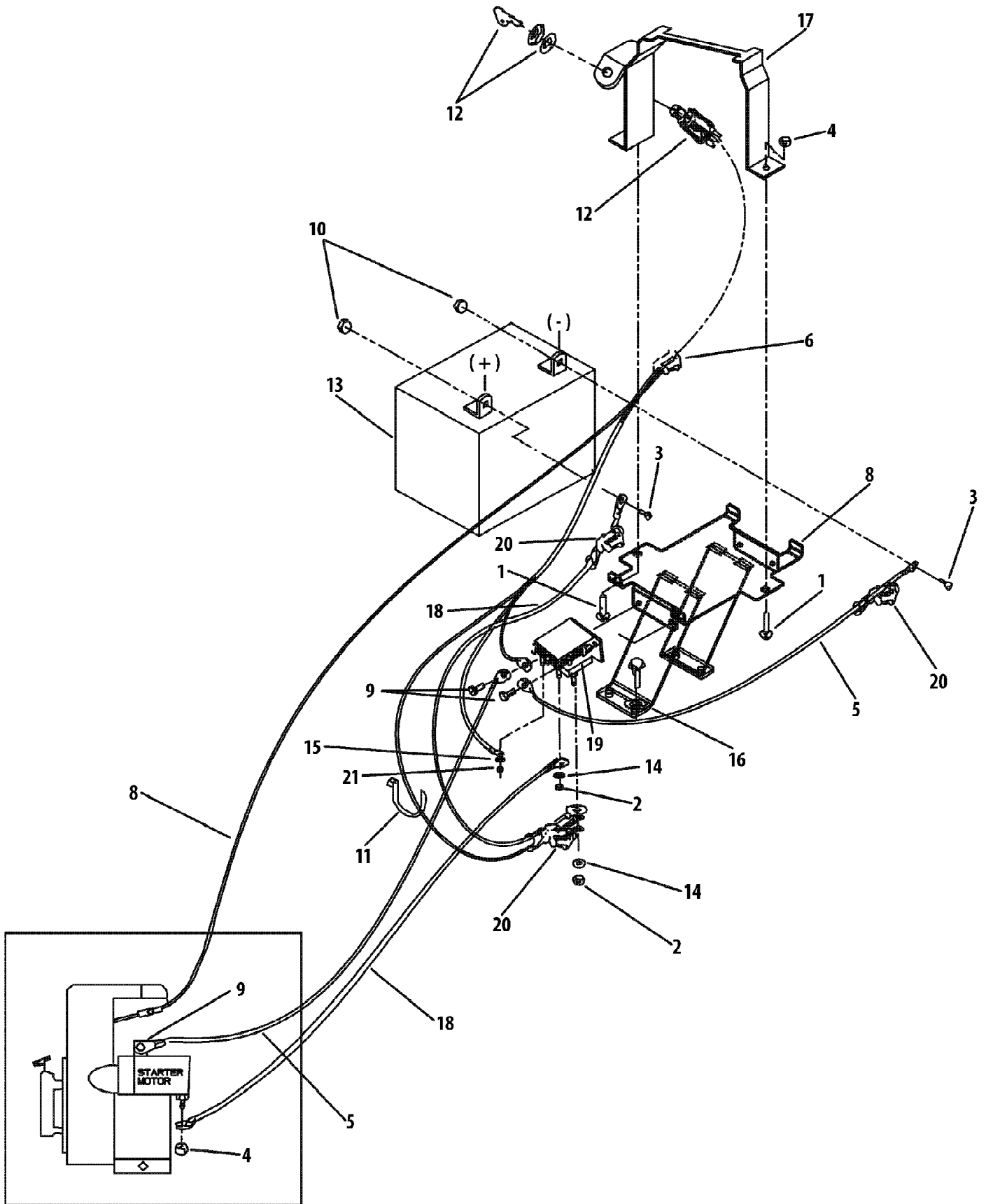
Page 2 of 13

Ref #	Part Number	Qty	S/P/F	Description
1	710-0331	1	/P	Hex Screw, 3/8 -24 x 2.25 Model 662
1	710-0539	1	/P	Screw, 3/8 -24 x 1.75 Model 663
1	710-04458	1	S	Screw, 5/16-24 x 1.25 Model 665
2	786-04070	1	S	Clutch Cable Bracket
3	736-0119	1	S	Lockwasher, 5/16
4	710-0107	1	/P	Hex Head Screw,5/16-24 x 1/2
5	731-05290	1	/P	Cover
6	712-3004A	1	/P	Flange Lock Nut, 5/16-18
7	714-0139	1	/P	Key, 3/16-2 Model 662
7	714-04029	1	S	Key, 3/16 x 1.75 Model 663
7	714-04042	1	S	Key, 3/16 x 1.5 Model 665
8	736-04187	1	/P	Shim
9	619-04130	1	/P	Engine Pulley Model 662 & Model 665
9	619-04015	1	S	Engine Pulley Model 663
10	736-0452	1	S	Belle. Washer, .344 x 1.0 x .063 Model 662 & Model 663
10	736-04193	1	/P	Belle. Washer .827 x .331 x .098 Model 665
11	710-04458	1	S	Hex Head Screw, 5/16-24 x 1-1/8
12	710-3103	1	/P	Hex Head Screw, 5/16-18 x 2
13	786-04276	1	/P	Reverse Idler Arm
14	756-04169	1	S	Reverse Idler Pulley
15	736-0159	1	S	Flat Washer, 5/16
16	732-04081	1	/P	Wire Formed Belt Guide
17	710-0117	1	S	Hex Head Screw, 5/16-24 x 1
18	726-0201	1		Speed Nut, .3125
19	736-3078	1	/P	Flat Washer, 1-1/8
20	732-04077	1	/P	Reverse Return Spring
21	619-04123	1	/P	Transmission Pulley
22	736-04079	1	/P	Support Washer
23	754-04095	1	S	Reverse Clutch Belt
24	754-04094	1	S	Forward Clutch Belt
25	710-04459	1	S	Self-tapping Screw, #10-32 x 1/2
26	786-04080	1	S	Belts/Pulleys Guard
27	712-04063	1	/P	Hex Flange Nut, 5/16-18
28	710-04043	1	/P	Hex Flange Screw, 5/16-18 x 3/4
29	786-04066	1	S	Engine Support Bracket (left side)
30	786-04067	1	S	Engine Support Bracket (right side)
31	714-04042	1	S	Key, 3/16 x 1.50
32	710-0395	1	/P	Hex Head Screw, 5/16-18 x 2-1/4
33	786-04277	1	S	Mounting Bar
34	710-1260	1	S	Hex Flange Screw, 5/16-18 x .75
35	710-0805	1	/P	Hex Head Screw, 5/16-18 x 1-1/2
36	736-0275	1	S	Flat Washer, 5/16
37	732-04082	1	/P	Belt Guide
38	750-04160	1	S	Pivot Bushing
39	736-0119	1	S	Lock Washer, 5/16
40	712-3010	1	S	Hex Nut, 5/16-18
41	748-04087	1	S	Shoulder Washer
42	786-04275	1	S	Forward Tiller Direction Idler Arm
43	710-04460	1	S	Self-tapping Screw, #10-24
44	732-04078.	1		Spring
45	712-3000	1	S	Hex Locknut, 5/16-18
46	756-04170	1	/P	Forward Idler Pulley

21AE662M066 250cc Elec Roto-Tiller (2008)
Drive System

Page 3 of 13

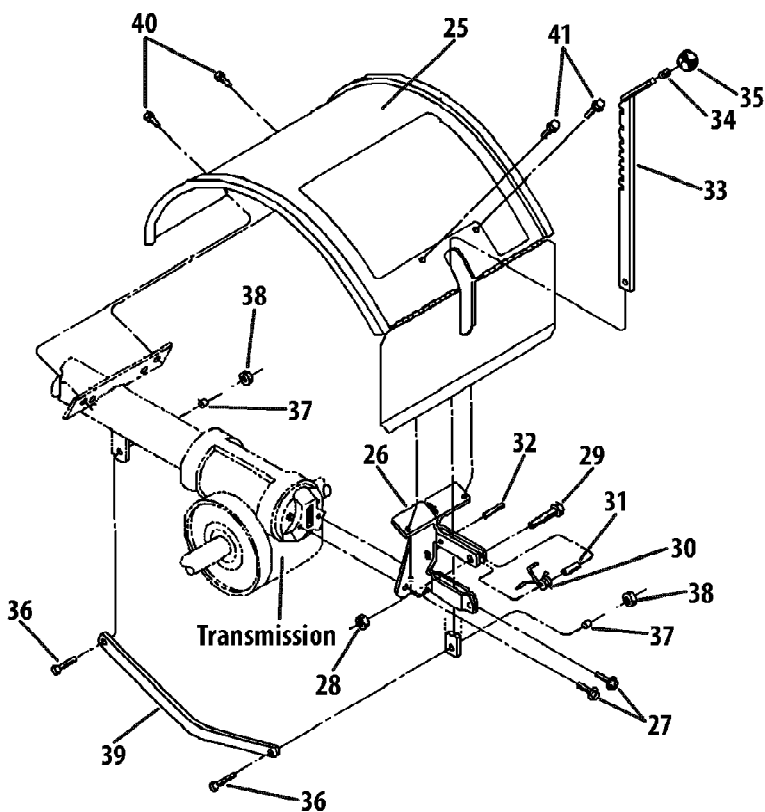
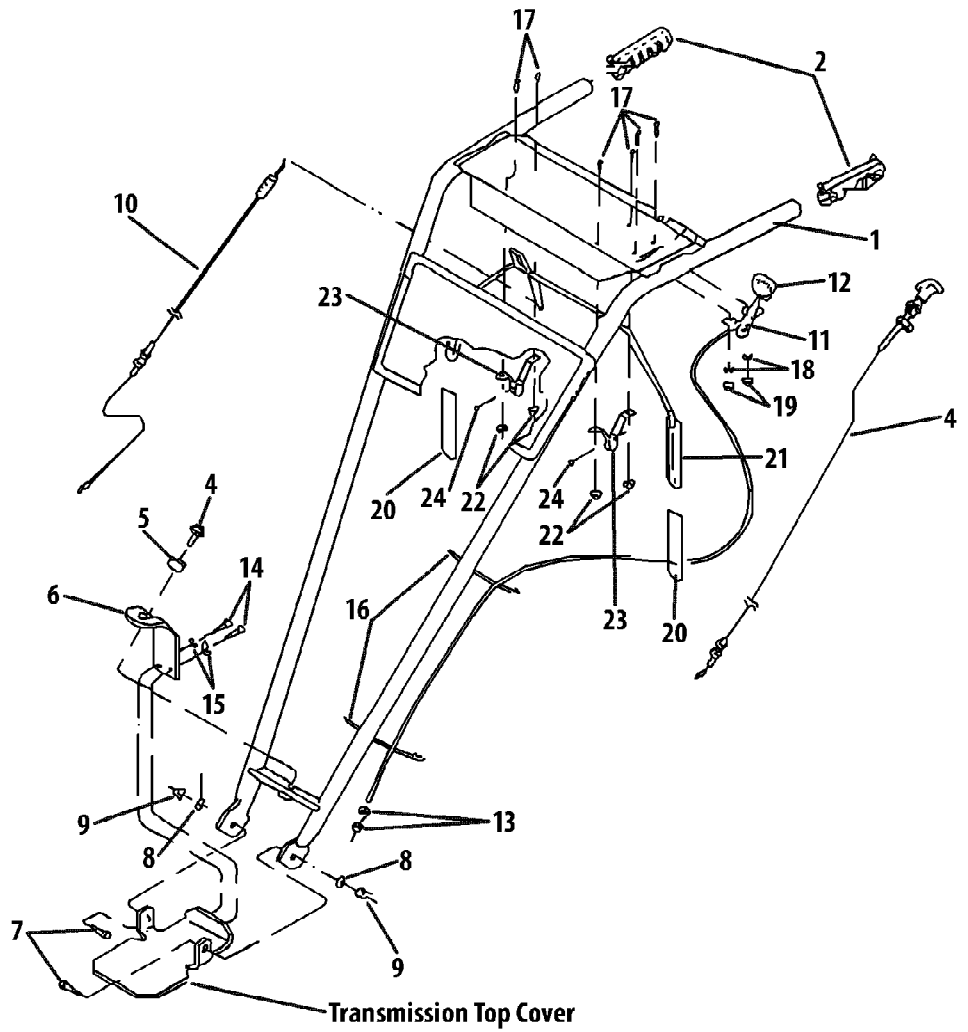
Ref #	Part Number	Qty	S/P/F	Description
47	710-0347	1	/P	Screw, 3/8-16 x 1-3/4
48	712-0158	1	S	Hex Lock Nut, 5/16-18
49	710-04461	1	S	Screw, 1/4-20 x 3/4
50	736-0463	1	S	Flat Washer, 1/4
51	736-04193	1	/P	Belleville Washer, .827 x .331 x .098
52	710-0514	1	/P	Hex Head Screw, 3/8-16 x 1
53	742-04119	1	S	Bolo Tine-single (Left)
54	712-3000	1	S	Hex Locknut, 3/8-16
55	710-0606	1	/P	Hex Head Screw, 1/4-20 x 1.5
56	710-3096	1	/P	Hex Head Screw, 3/8 -16 x 2
57	712-04064	1	/P	Flange Hex Locknut, 1/4-20
58	742-04118	1	S	Bolo Tine-single (Right)
59	686-04067	1	/P	Tine Holder
60	N/A	1		Wheel Assembly, 13 x 5 x 6
60	634-04218	1		Rim Assembly not shown
60	734-0255	1	S	Air Valve not shown
60	734-04163	1	S	Tire, 13 x 5 x 6 not shown
61	749-04193	1	S	Bumper
62	712-04063	1	/P	Hex Lock Nut, 5/16-18
63	710-0395	1	/P	Hex Screw, 5/16-18 x 2-1/4
64	726-0201	1		Speed Nut, .3125



21AE662M066 250cc Elec Roto-Tiller (2008)
Electric Start

Page 5 of 13

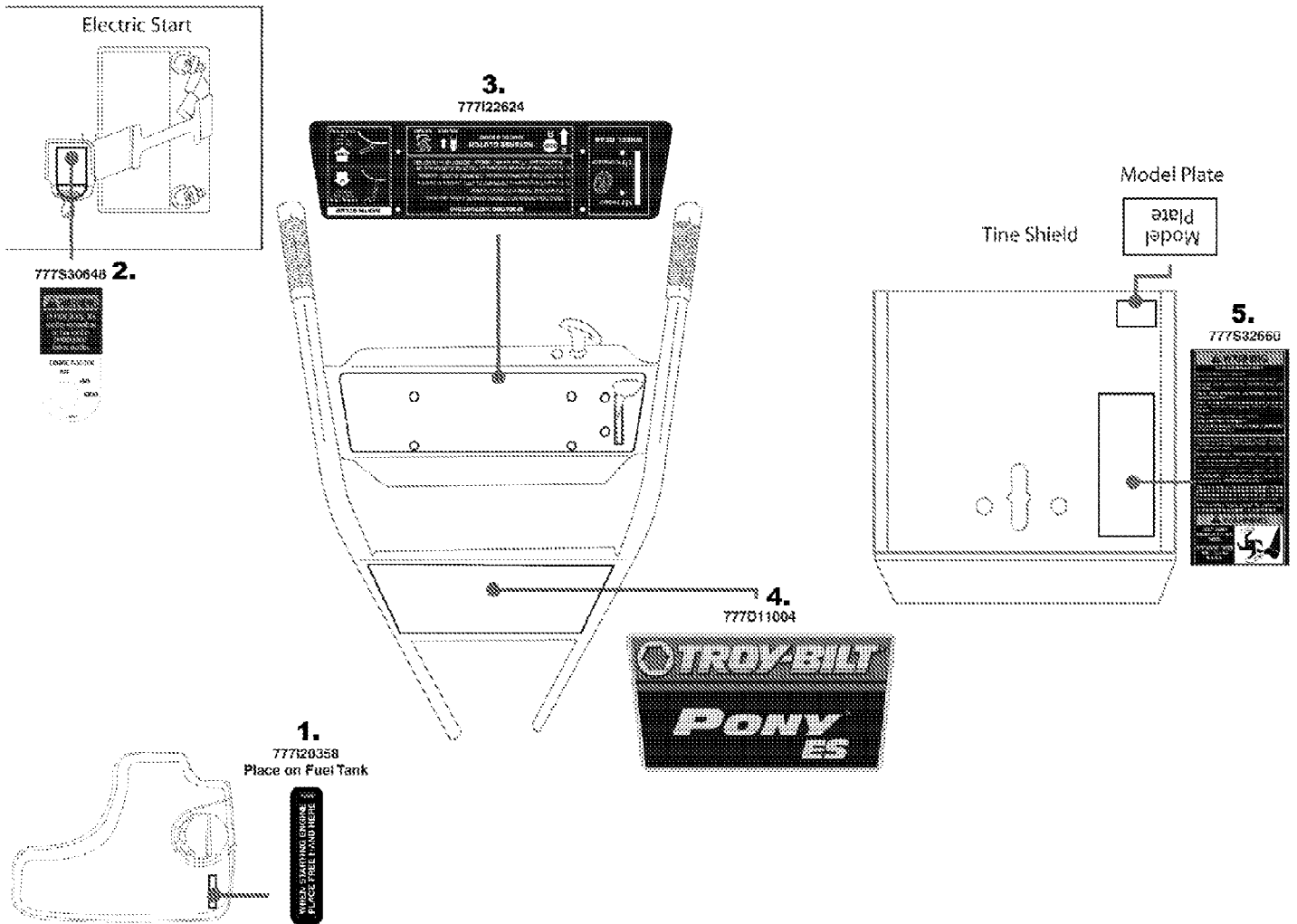
Ref #	Part Number	Qty	S/P/F	Description
1	1186073	1	/P	Carriage Screw 1/4-20 x 1.25
2	1186211	1	/P	Hex Nut 5/16-24
3	1186309	1	/P	Flange Screw 1/4-20 x .625
4	1186389	1	/P	Hex Locknut 1/4-20
5	1901202	1	/P	Cable (Ground Wire)
6	725-04346	1		Wire Harness Assembly
7	725-04346	1		Electric Start Harness
8	686-04024	1	S	Battery Bracket Assembly
9	710-0599	1	/P	Self-tapping Screw 1/4-20 x .5
10	712-3006	1	/P	Hex Nut 1/4-20
11	725-0157	1	/P	Cable Tie
12	725-0267B	1	S	Ignition Switch
13	725-1706A	1	S	Battery 270 CCA
14	736-0119	1	S	Lock Washer 5/16
15	736-0147	1	S	Lock Washer #10
16	736-0607	1	/P	External Lock Washer 5/16
17	GW-2614	1	S	Keyswitch Clamp
18	GW-96510	1	/P	Cable (Solenoid to Starter Motor)
19	GW-96514	1	S	Solenoid (Incl. Nuts and Washers for Cables and Wires)
20	GW-97020	1	/P	Insulating Boot



21AE662M066 250cc Elec Roto-Tiller (2008)
Handle & Tine Shield

Page 7 of 13

Ref #	Part Number	Qty	S/P/F	Description
1	1918801	1	S	Handlebars
2	720-0274	1	/P	Grip
3	1916784	1	S	Reverse Clutch Control Cable
4	1186347	1	S	Height Adjustment Screw
5	GW-9955	1	S	Keyed Washer
6	1900475	1	S	Handlebar Hgt. Adjustment Bracket
7	710-0514	1	/P	Hex Hd. Screw, 3/8 -16 x 1
8	736-3050	1	/P	Plain Washer, 3/8
9	712-3000	1	S	Hex Locknut, 3/8 -16
10	746-04027	1	S	Forward Clutch Control Cable
11	GW-9442	1	S	Wheel Gear Control & Cable Ass.
12	GW-9057	1	/P	Wheel Gear Control Lever Knob
13	1186211	1	/P	Hex Nut, 5/16-24
14	GW-90064	1		Hex Head Screw, 3/8-16 x 5/8
15	736-0169	1	S	Lockwasher, 3/8
16	725-0157	1	/P	Cable Ties
17	1114748	1	/P	Round Head Screw, #10-32 x 1/2
18	1100240	1	/P	Lockwasher, #10
19	1186208	1	/P	Hex Nut, #10-32
20	GW-9390	1	/P	Grip
21	1918802	1	S	Forward Clutch Bail
22	GW-9853	1	/P	Sems Nut
23	GW-20806	1	/P	Bail Support Bracket
24	710-0599	1	/P	Self-tapping Screw, 1/4-20 x 1/2
25	686-04078	1	S	Tine Hood
26	GW-2525	1		Depth Regulator
27	710-04049	1	/P	Hex Flange Screw, 5/16-18 x 5/8
28	712-04064	1	/P	Hex Locknut, 1/4-20
29	710-0597	1	/P	Hex Head Screw, 1/4-20 x 1
30	732-04320	1	/P	Spring
31	750-04556	1		Spacer
32	715-04034	1	/P	Roll Pin (spiral), 1/4 x 1
33	GW-1117A	1	S	Depth Regulator
34	GW-9120	1	/P	Retaining Ring
35	GW-9119	1	/P	Depth Regulator Knob
36	710-3005	1	/P	Hex Head Screw, 3/8-16 x 1-1/4
37	GW-1113-1	1	S	Drag Bar Bushing
38	712-04065	1	/P	Hex Nut, 3/8 -16
39	GW-20775	1	S	Drag Bar
40	710-0759	1		Self-tapping Screw, 5/16-18 x 5/8
41	710-0599	1	/P	Self-tapping Screw , 1/4-20 x 1/2

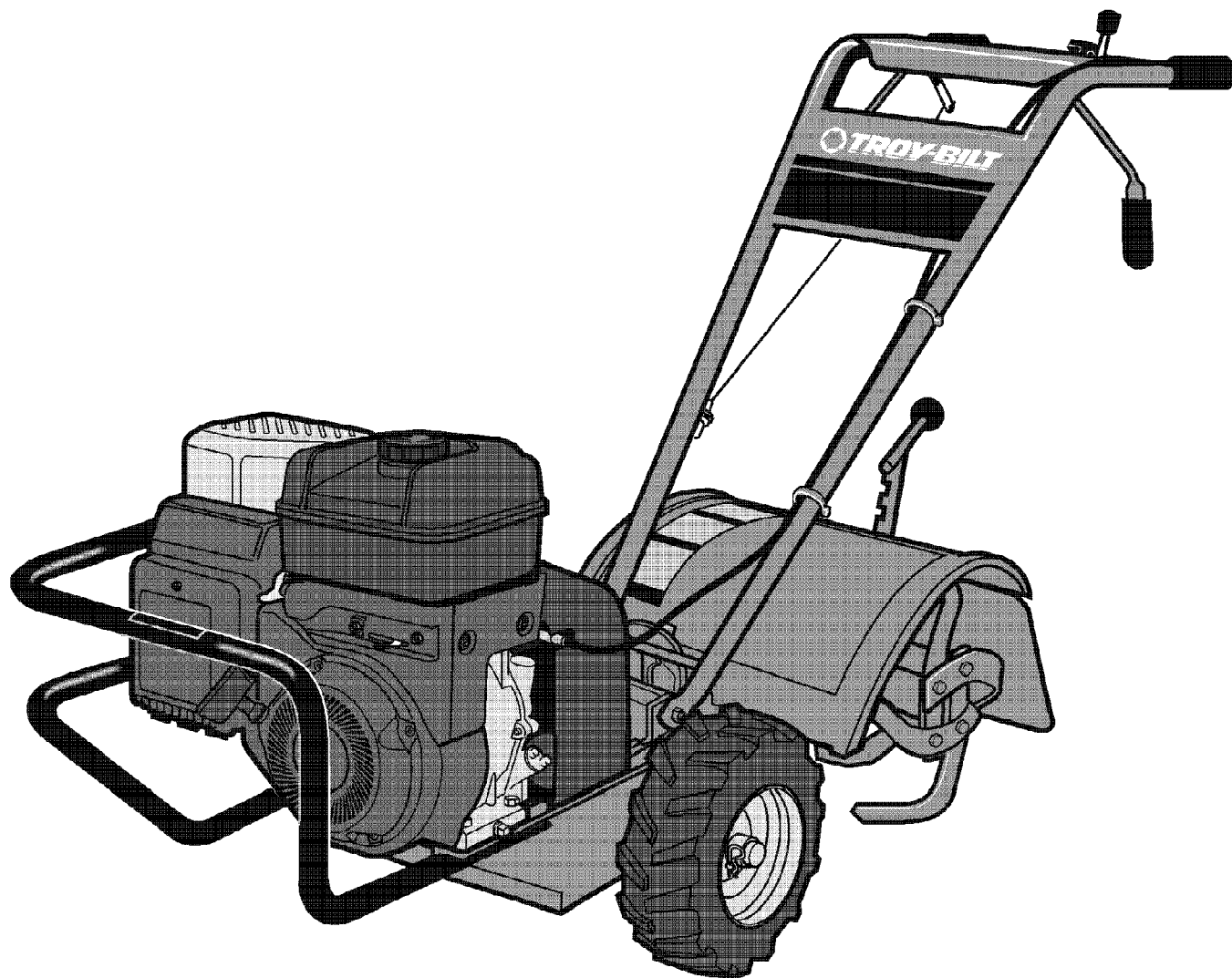


21AE662M066 250cc Elec Roto-Tiller (2008)
Label Map Pony ES

Page 9 of 13

Ref #	Part Number	Qty	S/P/F	Description
1	777I20358	1		LABEL-PLACE HAND HERE
2	777S30648	1	/P	LABEL-ENGINE IGNIT
3	777I22624	1		LABEL:TILLER HANDLE:660
4	777D11004	1		LABEL-TILLER HANDLE PANEL:PONY
5	777S32660	1		LABEL:TILLER TINE SHIELD

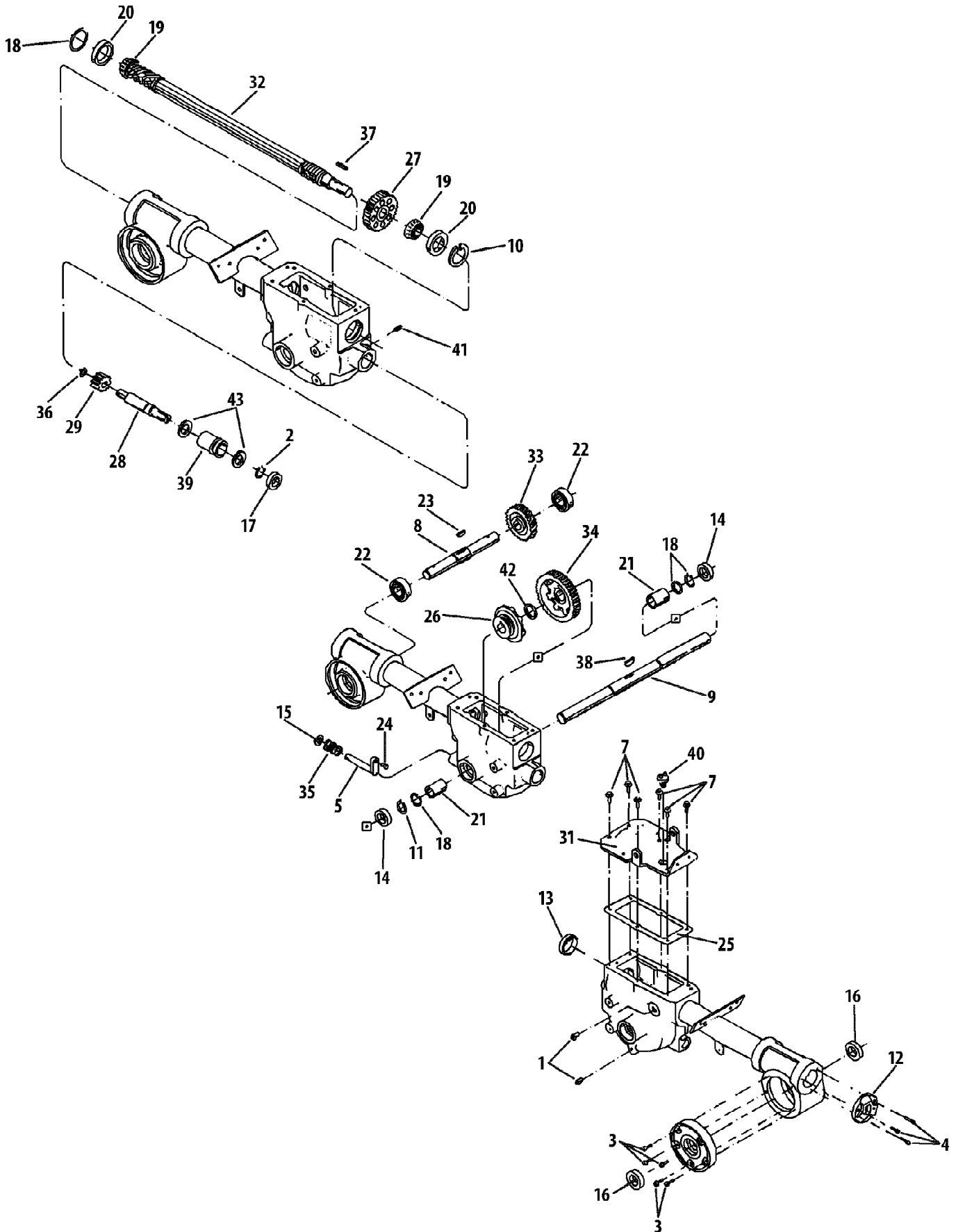
21AE662M066 250cc Elec Roto-Tiller (2008)
Quick Reference 662



21AE662M066 250cc Elec Roto-Tiller (2008)
Quick Reference 662

Page 11 of 13

Ref #	Part Number	Qty	S/P/F	Description
	759-3336	1	/P	Spark Plug
	BS-493537S	1	/P	Pre Filter
	BS-491588S	1	/P	Air Filter
	754-04094	1	S	Drive Belt (FWD)
	754-04095	1	S	Drive Belt (REV)
	746-04027	1	S	Clutch Cable (FWD)
	1916784	1	S	Clutch Cable (REV)
	742-04119	16	S	Tines Outer (LH)
	742-04118	16	S	Tines Outer (RH)
	N/A	1		Tines Inner (LH)
	N/A	1		Tines Inner (RH)
	N/A	1		Rim
	734-04163	1	S	Tire
	634-04232	1	S	Wheel Assembly
	720-0274	1	/P	Foam Grip
	GW-9057	1	/P	Shift Control
	GW-9119	1	/P	Handle Knob



21AE662M066 250cc Elec Roto-Tiller (2008)
Transmission Assembly

Page 13 of 13

Ref #	Part Number	Qty	S/P/F	Description
1	1105620	1	/P	Pipe Plug
2	1113527	1	S	Retaining Ring
3	1915068	1	/P	Hex Screw, 1/4-20 x .625
4	1915069	1	/P	Self-Sealing Screw, 1/4-20 x .875
5	611-04002	1	/P	Eccentric Shaft
6	619-04010	1	S	Transmission Housing
7	710-04043	1	/P	Hex Flange Screw, 5/16-18 x .750
8	711-04080	1	S	Tiller Shaft
9	711-04482	1	S	Wheel Shaft
10	716-04102	1	/P	Retaining Ring
11	716-04104	1	/P	Retaining Ring
12	718-04406	1	/P	Rear Bearing Cover
13	721-04001	1	/P	Oil Seal, 1.79 x .25
14	721-04031	1	S	Oil Seal, 1.0 x 1.499
15	721-04034	1	S	Oil Seal, .625 x 1.0
16	721-04035	1	S	Oil Seal, .984 x 1.75
17	721-04044	1	S	Oil Seal, .750 x 1.25
18	736-04258	1	/P	Washer, 1.375 x 1.015 x .01
18	736-04259	1		Washer, 1.375 x 1.015 x .015
18	736-04260	1		Washer, 1.375 x 1.015 x .03
18	736-04305	1	/P	Washer, 1.75 x 1.5 x .062
18	736-04306	1	/P	Washer, 1.75 x 1.5 x .005
18	736-04307	1	/P	Washer, 1.75 x 1.5 x .03
18	736-04308	1	/P	Washer, 1.75 x 1.5 x .01
18	736-04309	1	/P	Washer, 1.375 x 1.015 x .062
19	741-04298	1	S	Cone Bearing
20	741-04299	1	S	Cup Bearing
21	741-04300	1	S	Bushing, 1.25 x 1 x .005 x 1.5
22	741-3037	1	S	Ball Bearing
23	GW-1104	1	/P	Woodruff Key, .25 x 1.12
24	GW-1442	1	S	Pin, .375 x .72
25	GW-20694	1	/P	Transmission Cover Gasket
26	GW-20712	1	/P	Wheel Drive Clutch
27	GW-20718	1	S	Spur Gear
28	GW-20791	1	/P	Pinion Shaft
29	GW-20792	1	S	Pinion Gear
30	GW-20873	1	/P	Housing Cover
31	GW-20910	1	S	Transmission Cover
32	GW-20912	1		Drive Shaft
33	GW-20913	1	/P	Worm Gear
34	GW-20914	1	/P	Wheel Drive Gear
35	GW-9055	1	/P	Spring, .850 x .875
36	GW-9093	1	/P	Bowed Ring
37	GW-9301	1	S	Key, .188 x 1
38	GW-9373	1	/P	Hi-Pro Key, .25 x 1.312
39	GW-9428	1	/P	Bushing, 1.24 x .75 x .18
40	GW-9467	1	/P	Oil Plug
41	GW-9677	1	/P	Hex Screw, 5/16-18 x .38
42	GW-9935	1	/P	Washer, 1.46 x 1.016 x .062
43	GW-9953	1	/P	Washer, 1.022 x .75 x .059